



WIFI GAME/OBSERVATION CAMERA 24 MP
WLAN WILD-/BEOBACHTUNGSKAMERA 24 MP

Art. No. 9633106



GB INSTRUCTION MANUAL

DE BEDIENUNGSANLEITUNG

DE Besuchen Sie unsere Website über den folgenden QR Code oder Weblink um weitere Informationen zu diesem Produkt oder die verfügbaren Übersetzungen dieser Anleitung zu finden.

EN Visit our website via the following QR Code or web link to find further information on this product or the available translations of these instructions.



www.bresser.de/P9633106

Lors de l'élimination du produit et de ses accessoires, de son emballage ou de la mode d'emploi associée, respecter les règles d'élimination complémentaires applicables en France :



Points de collecte sur www.quefairendemesdechets.fr
Privilégiez la réparation ou le don de votre appareil !



INTRODUCTION

Congratulations on purchasing your new device. This user manual contains important information about safety and use. Before using the product, please familiarize yourself with all operating and safety instructions. Use this product only as described and only for specified areas of application.

This device is intended only for recording digital photos and videos, and particularly for observing wildlife. It is not intended for any other use or for uses extending beyond those stated. This device is not intended for use in commercial or industrial environments.

The manufacturer accepts no responsibility for damage caused by failure to observe these instructions, improper use, incompetent repairs, making unauthorized modifications or for using unapproved replacement parts. The user alone bears liability under these circumstances.

Please note, when the device is placed outdoor, extreme and rapid weather changes could lead to errors.

Inhalt

1. Imprint.....	4
2. Validity note	4
3. About this Instruction Manual.....	4
4. General warnings	4
5. About the camera.....	6
6. Power supply	7
7. Inserting SD-card	7
8. Setting up the camera	7
9. Accessing Photos & Videos	9
10. Specifications	10
11. Mounting.....	11
12. Sensing Angle and Distance Test	11
13. Disposal	12
14. EC Declaration of Conformity	12
15. UKCA Declaration of Conformity	12
16. Warranty.....	12

1. IMPRINT

Bresser GmbH
Gutenbergstr. 2
46414 Rhede
Germany
www.bresser.de

For any warranty claims or service inquiries, please refer to the information on "Warranty" and "Service" in this documentation. We ask for your understanding that unsolicited returns cannot be processed.
Errors and technical changes excepted.

© 2023 Bresser GmbH
All rights reserved.

The reproduction of this documentation - even in extracts - in any form (e.g. photocopy, print, etc.) as well as the use and distribution by means of electronic systems (e.g. imagefile, website, etc.) without the prior written permission of the manufacturer is prohibited.
The designations and brand names of the respective companies used in this documentation are generally protected by trade, trademark and/or patent law in Germany, the European Union and/or other countries.

2. VALIDITY NOTE

This documentation is valid for the products with the following article number:
9633106

MANUAL VERSION: 0123

MANUAL DESIGNATION:

Manual_9633106_Observation-camera_en-
de_BRESSER_v032023a

Always provide information when requesting service.

3. ABOUT THIS INSTRUCTION MANUAL

These operating instructions are to be considered a component of the device. Read the safety instructions and the operating manual carefully before using this device. Keep this instruction manual in a safe place for future reference. When the device is sold or given to someone else, the instruction manual must be provided to the new owner/user of the product.

4. GENERAL WARNINGS

⚠ DANGER OF BODILY INJURY!

Do not use in the presence of children or animals. Store out of reach of children and animals.

Never touch parts of the device during operation or before it has cooled down completely (approx. 45 min. after switching off)!

⚠ RISK OF GLARE!

Make sure that people and animals do not look into the light. The high luminosity can cause glare to the eyes and afterimages. This impairment of vision can lead to accidents.

⚠ RISK OF MATERIAL DAMAGE!

Make sure that no one can trip over connection cables of the device. The device could be knocked over.

The manufacturer accepts no liability for damage to property caused by improper or insufficiently safe installation!

Only use the recommended power supply unit or the recommended rechargeable batteries for the power supply!

The manufacturer accepts no liability for voltage damage caused by the use of an unsuitable power adapter!

To prevent decreasing the strength of the magnets, do not attach this device or the magnets to any surface hotter than 80°C.

Do not touch the device with wet or damp body parts.

⚠ FIRE/EXPLOSION HAZARD!

Always place the device in such a way that it cannot tip over and ensure that it is stored in a reasonably safe place.

- Keep children and animals away from the device! They could knock the device over.
- Make sure that no one can trip over connection cables. The device could be knocked over.
- Do not expose the device to high temperatures. Do not short-circuit the device or dispose of in fire! Excessive heat and improper handling can cause short circuits, fires and even explosions!
- Never cover the ventilation slots or cooling fins of the device during operation or until it has cooled down completely!
- Only use the recommended power supply unit or batteries!

⚠ DANGER OF AN ELECTRIC SHOCK!

This device contains electronic parts that are powered by a power source (power adapter). Only use the device as described in the manual. Otherwise, you run the DANGER of an ELECTRIC SHOCK.

Never bend, squeeze or pull power cables, connecting cables, extensions or connectors. Protect cables from sharp edges and heat. Check this device, cables and connections for damage before use.

Never attempt to operate a damaged device, or a device with damaged electrical parts! Damaged parts must be replaced immediately by an authorized service agent. Operate the device only in a completely dry environment and do not touch the device with wet or damp body parts.

! IMPORTANT NOTE!

Do not disassemble the device! In the event of a defect, please contact your dealer.

They will contact the Service Center and can arrange the return of this device for repair if necessary.

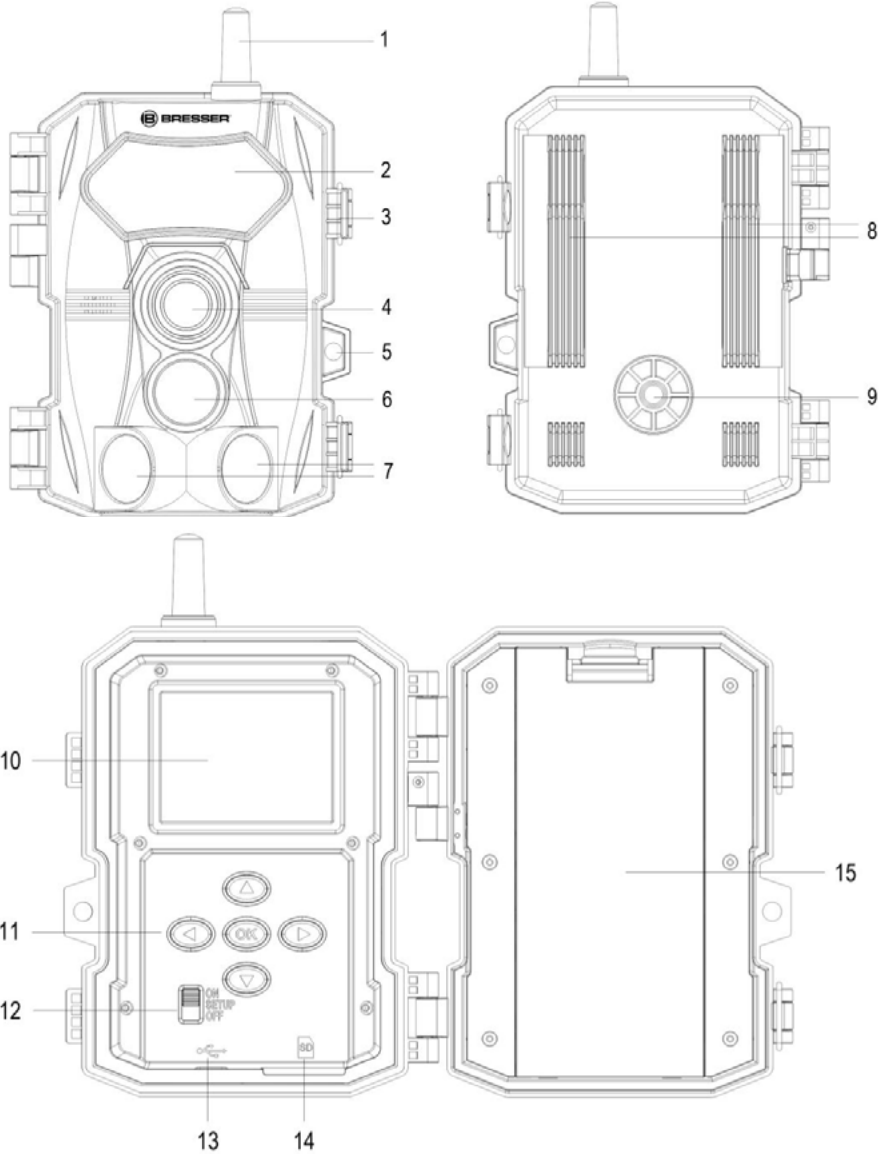
Disconnect the power supply by pulling the mains plug when the appliance is not in use, in case of a longer interruption of operation and before any maintenance and cleaning work.

Place your device so that it can be disconnected from the power supply at any time. The power outlet should always be near your appliance and should be easily accessible, as the plug of the power cord serves as a disconnect device from the mains supply.

To disconnect the unit from the mains, always pull the mains plug and never pull the cable!

Do not subject the device to excessive vibrations.

5. ABOUT THE CAMERA



- | | | |
|-----------------|------------------------|-----------------------|
| 1. Antenna | 6. PIR Sensor (Center) | 11. Operating Buttons |
| 2. Infrared LED | 7. PIR Sensors (Side) | 12. Switch Button |
| 3. Cover Latch | 8. Strap Hook | 13. Type C USB Port |
| 4. Lens | 9. Screw for Stand | 14. SD Card Slot |
| 5. Lock Holder | 10. LCD Screen | 15. Battery Cover |

6. POWER SUPPLY

1. To insert batteries, open the latches (3) and then open the battery cover (15).
2. Insert 8 AA 1.5V batteries into the battery compartment. Ensure that the polarity is correct. Note: please use only Alkaline batteries.
3. Close and secure the battery cover. Ensure that the cover closes firmly in place.

7. INSERTING SD-CARD

Since the camera has no built-in memory, it can only work if an SD card is inserted. A 32GB SD card has been inserted into the camera upon purchase.

- To insert a SD card, push it into the card slot (14) until you hear the clicking sound. The side with wording must face up.
- To remove the SD card, push the card slightly to pop it out. Then remove the card.
- The device supports SD cards with capacity up to 512 GB.
- To avoid malfunctions, keep the SD card away from moisture and avoid vibration, dust, heat sources and direct sunlight.
- Insert the SD card as indicated. Never force the card into the slot. Never bend or twist the SD card.

Default settings in bold:

Camera Mode:	Photo , Video, Photo+Video
Photo Resolution:	24MP, 16MP, 8MP , 4MP
Multi-Shot:	1 photo - 9 photos
Video Resolution:	3840 x 2160P Lite, 2688 x 1520P, 1920 x 1080P, 1280 x 720P
Video Length:	05 seconds - 3 minutes
Audio Recording:	ON , OFF
PIR Internal:	00 Minutes, 01 second-60 seconds, 01 minute - 60 minutes
Side PIR Sensors:	ON , OFF
PIR Sensor Sensitivity:	Low, Medium , High
Working Timer:	ON , OFF
Time Lapse:	ON, OFF
Language:	English , Deutsch, Español, Français, Italiano, Nederlands
Time & Date:	Set Time & Date , Time Format, Date Format
Photo Stamp:	Time & date , Date, OFF

- After transport, wait until the SD card has reached room temperature before using it for the first time. Major fluctuations in temperature or humidity can lead to condensation and electrical short-circuit. Keep the SD card in a protective case when not in use.
- When the SD card is full, it will automatically stop taking pictures and videos.

8. SETTING UP THE CAMERA

Push the switch button (12) to SET UP to set up the camera. Once powered on, press ◀ to call out the settings menu. First press ▼ multiple times to find Language, press OK, and choose your preferred language. Once selected, you can continue with other settings.

Below is a list of all setting items, and the bold highlights are the default settings. You can simply change the settings that you wish to change.

Password:	ON, OFF
Format Memory Card:	Yes, No
Camera ID:	ON, OFF
Reset Settings:	Yes, No
Auto WiFi Off:	1 minute, 2 minutes , 3 minutes
WiFi SSID:	GC-4W
WiFi Password:	12345678
Version:	20096 (This cannot be changed)

Once the settings are done, push the switch button (12) to ON. The camera will start counting from 10 to 0, and the screen turns black. This means that the camera is on standby to take photos or videos, and you are all set.

SETTING UP THE CAMERA USING THE APP

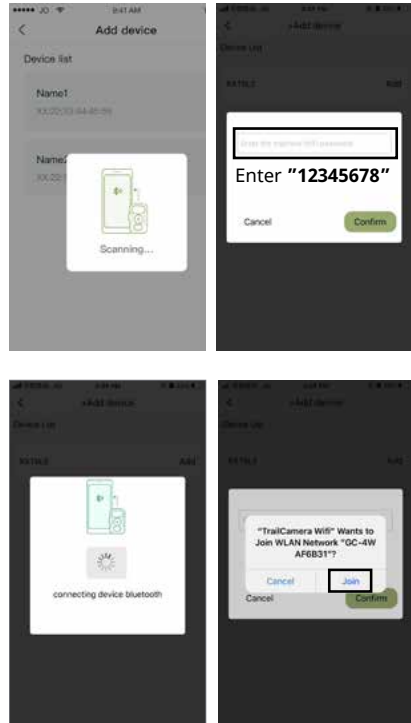


1. Download the App "Bresser EagleEye Trail Camera" in the app store:



www.bresser.de/9633106

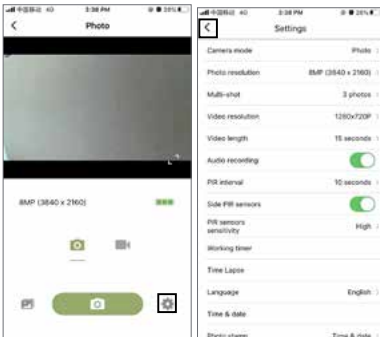
2. On the camera, turn the switch button (12) to ON.
3. In the App, add device and follow these steps to connect the phone with the camera. Please make sure the Bluetooth on your phone is on first.



- It can take up to 90 seconds for the connection. When this following screen shows up, the connection is successful. What you see now on the App screen is what the camera lens sees. The camera screen (10) will also display "WIFI connected".



- Adjust the Settings if needed.



When the setting is done, press the < icon on the top left OR the power button on the top right to exit the App. The screen will show Please wait and turn dark. The camera is now ready to take photos and videos. Please make

sure the switch button (12) is pushed to ON. Note: If at any time of the connection, the camera or the app got stuck, please turn off the camera (by pushing the switch button to OFF), and wait for about 30 seconds, and turn it on to try again.

9. ACCESSING PHOTOS & VIDEOS VIA SD CARD

- Eject the SD card from the camera and insert it into a card reader that is connected to a computer.
- Open [My Computer] or [Windows Explorer] and double-click the removable disk icon that represents the SD card.
- Copy images from the card into your computer.

VIA USB CABLE

- Connect your camera to a computer with a USB cable.
- Open [My Computer] or [Windows Explorer] and double-click the removable disk icon that represents the camera.
- Copy images from the folder into your computer.

VIA APP

- In the App, click on the photo icon below to enter the photo album, where you can see all the photo and videos taken.



- You can select photos and videos to delete, delete all, or download.



- You can also download selected photos and videos to your phone. Once downloaded to your phone, you can access the files in the photo album of your phone.



10. SPECIFICATIONS

Image sensor	4 MP
Photo resolution	4MP (sensor) 8MP, 16MP, 24MP (interpolated)
Image Format	JPEG
Video Resolution	FHD @30fps, HD@30fps
Video Format	AVI
Video Length	5 secs to 3 mins
Audio Recording	Yes
Lens	f=3.8mm, F=2.0, FOV=105°
Display	2.4" TFT
File Review on Camera	Yes
Internal memory	16M x 16 DDR
External memory	SD/TF card up to 512 GB
IR Filter	Automatic
IR LED	850nm
Range of IR flash	18M
Trigger Mode	PIR trigger
PIR sensing angle	Center: 35°~40° Lateral: 30°(L & R) Total: 100°
Triggering distance	20M (Below 25°C at the Normal Level)
Triggering time	< 0.5 sec
PIR Interval	0 sec- 60 minutes, selectable by user
Multi-Shot	1-9 frames, selectable by user
Picture Information Stamp	Time & Date, Date, Off
File Protection	Password Protection

Effectiveness	Daytime: 1M-infinite Night time: 3M-18M
Auto-distinguish images	Color images in daytime Black & white night images
WiFi Connection	Photo and Video Transfer to mobile device via App Camera System Setting via App
WiFi Distance	15M approx.
App Supporting OS	from iOS 9.0 from Android 5.0 with Bluetooth LE
Power	AA Alkaline batteries (8 pcs.)
Low Battery Alarm	Yes
PC Interface	USB 2.0 Type C
Stand by	6 months
Standby current	0.5 mA
Water Proof	IP 54
Operating Temperature	-20°C to +60°C
Camera Color	Black
Camera Size	13.66cm x 6.09cm x 9.5cm (approx.)
Camera Weight	280g (approx.)
Accessories	Wall mount, mounting strap, USB data transfer cable, 32GB Micro SDHC memory card with SD adapter, Operating instructions

11. MOUNTING

We recommend mounting cam on a sturdy tree with a diameter of about 6 in. (15 cm). To get the optimal picture quality, the tree should be about 16-17 ft (5 meters) away from the place to be monitored, with the camera placed at a height of 5 - 6.5 ft. (1.5 ~ 2 m). Also, keep in mind that you will get the best results at night when the subject is within the ideal flash range, no farther than 60' (19 m) and no closer than 10' (3 m) from the camera.

12. SENSING ANGLE AND DISTANCE TEST

To test whether the camera can effectively monitor the area you choose, this test is recommended to check the sensing angle and monitoring distance of the camera. To perform the test:

- Switch camera to SETUP mode.
- Make movements in front of the camera at several positions within the area where you expect game or subjects to be. Try different distances and angles from camera.
- If motion indicator LED light blinks, it indicates that position can be sensed.

The results of your testing will help you find the best place where to mount and aim the camera. The height from the ground for placing the device should vary with animal size appropriately. In general, 3 to 6 feet is preferred. You can avoid potential false triggers due to temperature and motion disturbances in front of the camera by not aiming it at a heat source or nearby tree branches or brush (especially on windy days).

13. DISPOSAL



Dispose of the packaging materials by type. Contact your local waste-disposal service or environmental authority for information on the proper disposal.



Do not dispose of electronic devices in the household garbage! According to the European Directive 2012/19/EU on Waste Electrical and Electronic Equipment and its transposition into national law, used electrical equipment must be collected separately and recycled in an environmentally sound manner.



In accordance with the regulations concerning batteries and rechargeable batteries, disposing of them in the normal household waste is explicitly forbidden. Please make sure to dispose of your used batteries as required by law — at a local collection point or in the retail market. Disposal in domestic waste violates the Battery Directive. Batteries that contain toxins are marked with a sign and a chemical symbol.



1 battery contains cadmium
2 battery contains mercury
3 battery contains lead

14. EC DECLARATION OF CONFORMITY



Hereby, Bresser GmbH declares that the equipment type with part number: 9633106 is in compliance with Directive: 2014/53/EU. The full text of the EU declaration of conformity is available at the following internet address:
www.bresser.de/download/9633106/CE/9633106_CE.pdf

15. UKCA DECLARATION OF CONFORMITY



A "Declaration of conformity" in accordance with the applicable directives and corresponding standards has been prepared by Bresser GmbH. This can be viewed at any time upon request at www.bresser.de/download/9633106/UKCA/9633106_UKCA.pdf

BRESSER UK Ltd. • Suite 3G, Eden House
Enterprise Way, Edenbridge, Kent TN8 6HF, GB

16. WARRANTY

The regular warranty period is 2 years and begins on the day of purchase. To benefit from an extended voluntary warranty period as stated on the gift box, registration on our website is required.

You can consult the full warranty terms as well as information on extending the warranty period and details of our services at www.bresser.de/warranty_terms.



www.bresser.de/warranty_terms

EINLEITUNG

Herzlichen Glückwunsch zum Kauf Ihres neuen Gerätes. Dieses Benutzerhandbuch enthält wichtige Informationen zur Sicherheit und zum Gebrauch. Machen Sie sich vor der Verwendung des Produkts mit allen Bedienungs- und Sicherheitshinweisen vertraut. Verwenden Sie dieses Produkt nur wie beschrieben und nur für die angegebenen Anwendungsbereiche.

Dieses Gerät ist nur für die Aufnahme von digitalen Fotos und Videos und insbesondere für die Beobachtung von Wildtieren bestimmt. Es ist nicht für einen anderen oder darüber hinausgehenden Gebrauch bestimmt. Dieses Gerät ist nicht für den Einsatz in gewerblichen oder industriellen Umgebungen vorgesehen.

Der Hersteller übernimmt keine Verantwortung für Schäden, die durch Nichtbeachtung dieser Anleitung, unsachgemäßen Gebrauch, unsachgemäße Reparaturen, eigenmächtige Umbauten oder die Verwendung nicht zugelassener Ersatzteile entstehen. Der Benutzer trägt unter diesen Umständen allein die Verantwortung.

Bitte beachten Sie, dass bei der Platzierung des Geräts im Freien extreme und schnelle Wetterwechsel zu Störungen führen können.

Inhalt

1. Impressum	14
2. Gültigkeitshinweis	14
3. Zu dieser Anleitung	14
4. Allgemeine Warnhinweise	14
5. Informationen zur Kamera	16
6. Stromversorgung	17
7. SD-Karte einlegen	17
8. Einrichtung der Kamera	17
9. Technische Daten	20
10. Montierung	21
11. Testen des Erfassungswinkels und des Abstands	22
12. Entsorgung	22
13. EG-Konformitätserklärung	22
14. Garantie	22

1. IMPRESSUM

Bresser GmbH
Gutenbergstr. 2
46414 Rhede
Deutschland
www.bresser.de

Für etwaige Gewährleistungsansprüche oder Serviceanfragen verweisen wir auf die Informationen zu „Garantie“ und „Service“ in dieser Dokumentation. Wir bitten um Ihr Verständnis, dass unaufgeforderte Rücksendungen nicht bearbeitet werden können.

Irrtümer und technische Änderungen vorbehalten.

© 2022 Bresser GmbH
Alle Rechte vorbehalten.

Die Vervielfältigung dieser Dokumentation – auch auszugsweise – in irgendeiner Form (z.B. Fotokopie, Druck, etc.) sowie die Verwendung und Verbreitung mittels elektronischer Systeme (z.B. Bilddatei, Website, etc.) ohne eine vorherige schriftliche Genehmigung der BRESSER GmbH ist nicht gestattet.

Die in dieser Dokumentation verwendeten Bezeichnungen und Markennamen der jeweiligen Firmen sind im Allgemeinen in Deutschland, der Europäischen Union und/oder weiteren Ländern waren-, marken- und/oder patentrechtlich geschützt.

2. GÜLTIGKEITSHINWEIS

Diese Dokumentation ist gültig für die Produkte mit den nachfolgend aufgeführten Artikelnummern:

9633106

ANLEITUNGSVERSION: 0622

BEZEICHNUNG DIESER ANLEITUNG:

Manual_9633106_Wildkamera-24MP_en-de_BRESSER_v032023a

Informationen bei Serviceanfragen stets angeben.

3. ZU DIESER ANLEITUNG

Diese Betriebsanleitung ist als Teil des Gerätes zu betrachten.

Lesen Sie vor der Benutzung des Gerätes aufmerksam die Sicherheitshinweise und die Bedienungsanleitung. Bewahren Sie diese Bedienungsanleitung für die erneute Verwendung zu einem späteren Zeitpunkt

auf. Bei Verkauf oder Weitergabe des Gerätes ist die Bedienungsanleitung an jeden nachfolgenden Besitzer/Benutzer des Produkts weiterzugeben.

4. ALLGEMEINE WARNHINWEISE

⚠ **GEFAHR VON KÖRPERSCHÄDEN!**

Nicht in Gegenwart von Kleinkindern oder Tieren benutzen. Außer Reichweite von Kleinkindern und Tieren aufbewahren. Niemals Geräteteile während des Betriebs oder vor der vollständigen Abkühlung (ca. 45 Min. nach dem Ausschalten) anfassen!

⚠ **BLENDFEHR!**

Sorgen Sie dafür, dass Menschen und Tiere nicht in die Leuchte blicken. Durch die hohe Leuchtkraft können die Augen geblendet werden und Nachbilder entstehen. Diese Beeinträchtigung des Sehvermögens kann zu Unfällen führen.

⚠ **GEFAHR VON SACHSCHÄDEN!**

Sorgen Sie dafür, dass niemand über Verbindungskabel des Gerätes stolpern kann! Das Gerät könnte umgeworfen werden.

Für Sachschäden, die durch eine nicht sachgemäße oder nicht ausreichend sichere Montage verursacht werden, übernimmt der Hersteller keine Haftung!

Für die Spannungsversorgung nur das empfohlene Netzteil oder die empfohlenen Akkus verwenden!

Für Spannungsschäden, die durch die Verwendung eines ungeeigneten Netzadapters entstehen, übernimmt der Hersteller keine Haftung!

Um zu verhindern, dass die Stärke der Magnete nachlässt, sollten Sie dieses Gerät bzw die Magnete nicht auf einer Oberfläche anbringen, die heißer als 80° ist.

Berühren Sie das Gerät nicht mit nassen oder feuchten Körperteilen.

⚠ **BRAND-/EXPLOSIONSGEFAHR!**

Das Gerät immer so aufstellen, dass es nicht umkippen kann, und für eine angemessen sichere Lagerung sorgen.

- Kinder und Tiere vom Gerät fernhalten! Sie könnten das Gerät umwerfen.
- Dafür sorgen, dass niemand über Verbindungskabel des Gerätes stolpern kann. Das Gerät könnte umgeworfen werden.

- Das Gerät keinen hohen Temperaturen aussetzen. Gerät nicht kurzschließen oder ins Feuer werfen! Durch übermäßige Hitze und unsachgemäße Handhabung können Kurzschlüsse, Brände und sogar Explosionen ausgelöst werden.
- Lüftungsschlitze und/oder Kühlrippen des Geräts niemals während des Betriebs oder solange es noch nicht vollständig abgekühlt ist abdecken!
- Verwenden sie nur das empfohlene Netzteil oder Batterien!

⚠ GEFAHR EINES STROMSCHLAGS!

Dieses Gerät beinhaltet Elektronikteile, die über eine Stromquelle (Netzstecker) betrieben werden. Verwenden Sie das Gerät nur wie in der Anleitung beschrieben. Andernfalls besteht die GEFAHR eines ELEKTRISCHEN SCHLAGS.

Strom- und Verbindungskabel sowie Verlängerungen und Anschlussstücke niemals knicken, quetschen oder an ihnen zerren. Schützen sie Kabel vor scharfen Kanten und Hitze.

Überprüfen Sie das Gerät, die Kabel und Anschlüsse vor Inbetriebnahme auf Beschädigungen.

Ein beschädigtes Gerät oder ein Gerät mit beschädigten stromführenden Teilen niemals in Betrieb nehmen! Beschädigte Teile müssen umgehend von einem autorisierten Service-Betrieb ausgetauscht werden.

Betreiben Sie das Gerät nur in vollkommen trockener Umgebung und berühren Sie das Gerät nicht mit nassen oder feuchten Körperteilen.

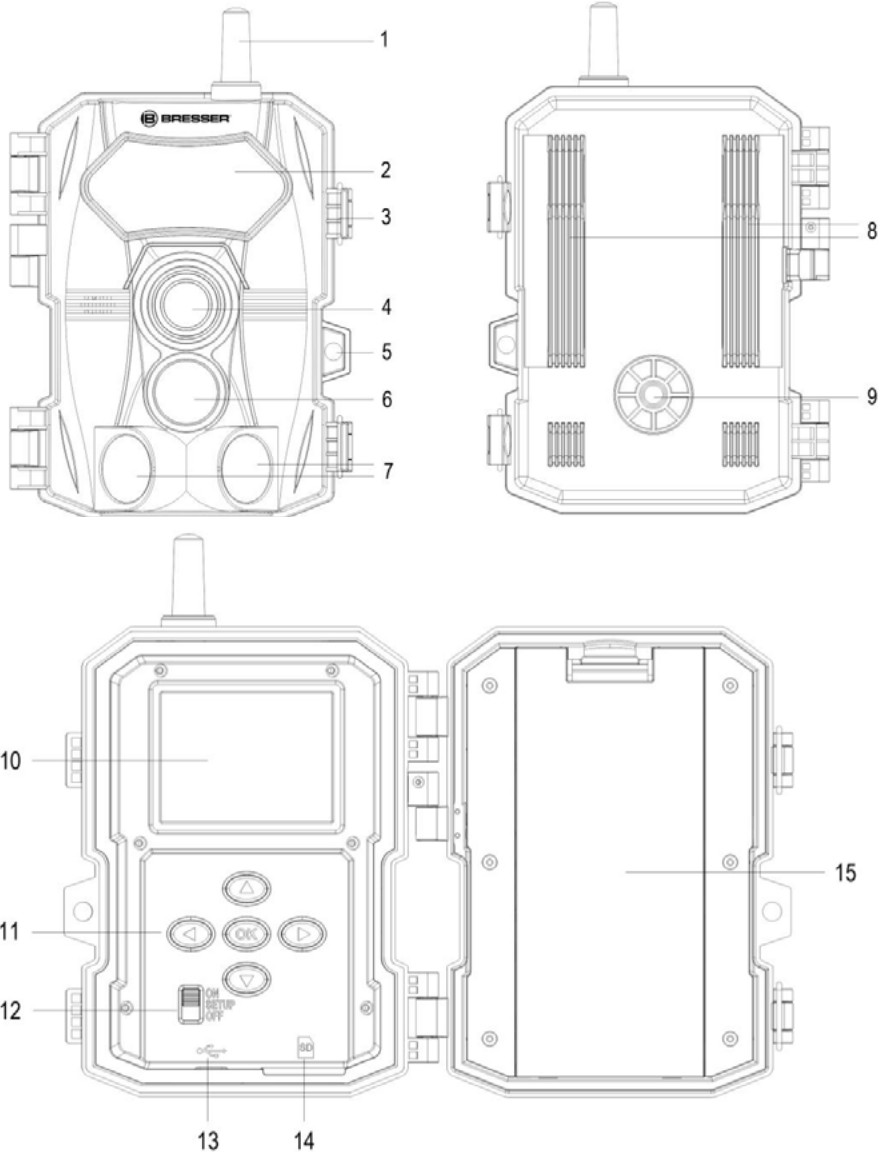
! WICHTIGER HINWEIS!

Bauen Sie das Gerät nicht auseinander! Wenden Sie sich im Falle eines Defekts bitte an Ihren Fachhändler. Er nimmt mit dem Service-Center Kontakt auf und kann das Gerät ggf. zwecks Reparatur einschicken. Unterbrechen Sie die Stromzufuhr, wenn Sie das Gerät nicht benutzen, im Falle einer längeren Betriebsunterbrechung sowie vor allen Wartungs- und Reinigungsarbeiten, indem Sie den Netzstecker ziehen. Platzieren Sie Ihr Gerät so, dass es jederzeit vom Stromnetz getrennt werden kann. Die Netzsteckdose sollte sich immer in der Nähe Ihres Geräts befinden und gut zugänglich

sein, da der Stecker des Netzkabels als Trennvorrichtung zum Stromnetz dient. Um das Gerät vom Stromnetz zu trennen, ziehen Sie immer am Netzstecker und niemals am Kabel!

Das Gerät keinen Erschütterungen aussetzen.

5. INFORMATIONEN ZUR KAMERA



- | | | |
|------------------------|-------------------------|-------------------------|
| 1. Antenne | 6. PIR-Sensor (Mitte) | 11. Bedienungstasten |
| 2. Infrarot-LED | 7. PIR-Sensoren (Seite) | 12. Betriebsschalter |
| 3. Deckelverriegelung | 8. Riemenhaken | 13. USB-Anschluss Typ C |
| 4. Linse | 9. Schraube für Stativ | 14. SD-Kartensteckplatz |
| 5. Verschlusshalterung | 10. LCD-Bildschirm | 15. Batteriefachdeckel |

6. STROMVERSORGUNG

1. Zum Einlegen der Batterien öffnen Sie die Verriegelungen (3) und öffnen Sie dann den Batteriefachdeckel (15).
2. Legen Sie 8 AA 1,5 V Batterien in das Batteriefach. Achten Sie beim Einlegen der Batterien auf die richtige Polung. Hinweis: Bitte verwenden Sie nur AA Alkaline-Batterien.
3. Schließen und sichern Sie das Batteriefach. Vergewissern Sie sich, dass die Abdeckung fest geschlossen ist.

7. SD-KARTE EINLEGEN

Da die Kamera keinen eingebauten Speicher besitzt, kann sie nur betrieben werden, wenn eine SD-Karte eingesetzt ist. Beim Kauf wurde eine 32-GB-SD-Karte in die Kamera eingelegt.

- Um eine SD-Karte einzulegen, schieben Sie sie in den SD-Kartensteckplatz (14), bis Sie das Klicken hören. Die Seite mit dem Schriftzug muss nach oben zeigen.
- Um die SD-Karte zu entfernen, drücken Sie die Karte leicht, damit sie herauspringt. Entfernen Sie dann die Karte.
- Das Gerät unterstützt SD-Karten mit Kapazitäten von bis zu 512 GB.
- Um Fehlfunktionen zu vermeiden, halten Sie die SD-Karte von Feuchtigkeit fern und vermeiden Sie Vibrationen, Staub, Wärmequellen und direkte Sonneneinstrahlung.
- Legen Sie die SD-Karte wie angegeben

ein. Schieben Sie die Karte niemals mit Gewalt in den Steckplatz. Verbiegen oder verdrehen Sie die SD-Karte nicht.

- Warten Sie nach dem Transport, bis die SD-Karte Raumtemperatur erreicht hat, bevor Sie sie zum ersten Mal verwenden. Starke Schwankungen der Temperatur oder der Luftfeuchtigkeit kann zu Kondenswasserbildung und elektrischen Kurzschlüssen führen. Bewahren Sie die SD-Karte in einer Schutzhülle auf, wenn sie nicht benutzt wird.
- Wenn die SD-Karte voll ist, wird die Aufnahme von Bildern und Videos automatisch beendet.

8. EINRICHTUNG DER KAMERA

Stellen sie den Betriebsschalter (12) auf SETUP, um die Kamera einzurichten. Sobald das Gerät bereit ist, drücken Sie ◀, um das Einstellungsmenü aufzurufen. Drücken Sie zunächst mehrmals die Taste ▼ bis Sie zu den Spracheinstellungen gelangen. Drücken Sie "OK" und wählen Sie Ihre bevorzugte Sprache. Sobald die Sprache ausgewählt ist, können Sie mit den weiteren Einstellungen fortfahren.

Nachfolgend finden Sie eine Liste aller Einstellungselemente, wobei die fettgedruckten Elemente die Standardeinstellungen sind. Passen Sie die Einstellungen nach Bedarf an.

Die Standardeinstellungen sind fett gedruckt:

Kamera-Modi:	Foto, Video, Foto+Video
Bildauflösung:	24MP, 16MP, 8MP , 4MP
Multi-Shot:	1 Foto - 9 Fotos
Videoauflösung:	3840 x 2160P Lite, 2688 x 1520P, 1920 x 1080P, 1280 x 720P
Videolänge:	05 Sekunden - 3 Minuten
Audio-Aufzeichnung:	EIN , AUS
PIR-Sensor Mitte:	00 Minuten, 01 Sekunde - 60 Sekunden, 01 Minute - 60 Minuten
Seitliche PIR-Sensoren:	EIN , AUS
PIR-Sensor-Empfindlichkeit:	Niedrig, Mittel , Hoch

Betriebsdauer:	EIN , AUS
Zeitraffer:	EIN , AUS
Sprachen:	English , Deutsch, Spanisch, Französisch Italienisch, Niederländisch
Uhrzeit & Datum:	Zeit und Datum einstellen , Zeitformat, Datumsformat
Foto-Stempel:	Uhrzeit & Datum, Datum, AUS
Passwort:	EIN, AUS
Speicherkarte formatieren:	Ja, Nein
Kamera-ID:	EIN, AUS
Einstellungen zurücksetzen:	Ja, Nein
Auto WLAN Aus:	1 Minute, 2 Minuten , 3 Minuten
WLAN SSID:	GC-4W
WLAN-Passwort:	12345678
Version:	20096 (Dies kann nicht geändert werden)

Wenn Sie die Einstellungen vorgenommen haben, stellen Sie den Betriebsschalter (12) auf ON. Die Kamera zählt von 10 bis 0 herunter, bis der Bildschirm schwarz wird. Das bedeutet, dass die Kamera nun bereit für die Aufnahme von Bildern und Videos ist.

EINRICHTEN DER KAMERA ÜBER DIE APP

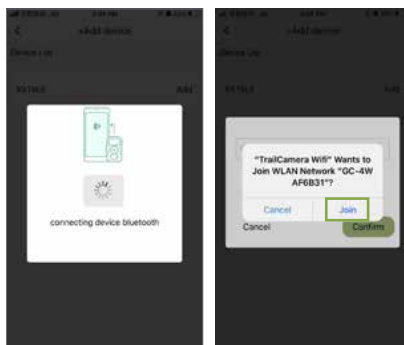
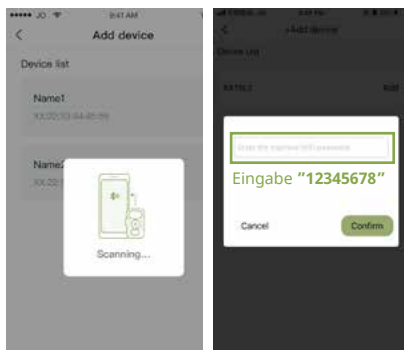


1. Laden Sie die App „Bresser EagleEye Trail Camera“ im App Store herunter:

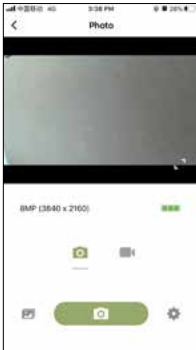


www.bresser.de/9633106

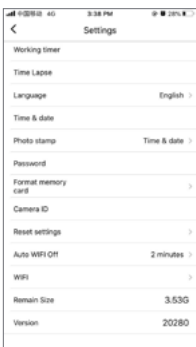
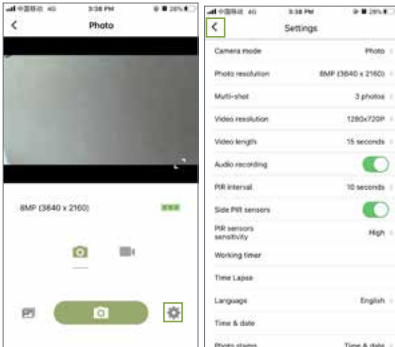
2. Stellen Sie an der Kamera den Betriebsschalter (12) auf ON.
3. Fügen Sie in der App ein Gerät hinzu und folgen Sie diesen Schritten, um das Smartphone mit der Kamera zu verbinden. Bitte vergewissern Sie sich zuerst, dass die Bluetooth-Funktion Ihres Smartphones aktiviert ist.



4. Der Aufbau der Verbindung kann bis zu 90 Sekunden dauern. Wenn der folgende Bildschirm angezeigt wird, ist die Verbindung erfolgreich. Sie können nun das von dem Kameraobjektiv erzeugte Bild auf dem App-Bildschirm sehen. Auf dem Kamerabildschirm (10) wird außerdem „WIFI connected“ angezeigt.



5. Passen Sie die Einstellungen bei Bedarf an.



Wenn die Einstellung abgeschlossen ist, drücken Sie das „<-“ Symbol oben links

ODER die Power-Taste oben rechts, um die App zu beenden. Der Bildschirm zeigt Bitte warten an und wird dunkel. Die Kamera ist nun bereit für die Aufnahme von Fotos und Videos. Vergewissern Sie sich, dass der Betriebsschalter (12) auf ON gestellt ist. Hinweis: Wenn zu irgendeinem Zeitpunkt der Verbindung die Kamera oder die App hängen bleibt, schalten Sie bitte die Kamera aus (indem Sie den Betriebsschalter auf OFF stellen), warten Sie etwa 30 Sekunden und schalten Sie sie wieder ein, um es erneut zu versuchen.

ZUGRIFF AUF FOTOS UND VIDEOS ÜBER SD-KARTE

- Entnehmen Sie die SD-Karte aus der Kamera und legen Sie sie in ein Kartenlesegerät ein, das an einen Computer angeschlossen ist.
- Öffnen Sie den [Arbeitsplatz] oder den [Windows Explorer] und doppelklicken Sie auf das Symbol des Wechseldatenträgers das die SD-Karte darstellt.
- Kopieren Sie Bilder von der Karte auf Ihren Computer.

ÜBER USB-KABEL

- Schließen Sie Ihre Kamera mit dem mitgelieferten USB-Kabel an einen Computer an.
- Öffnen Sie den [Arbeitsplatz] oder den [Windows Explorer] und doppelklicken Sie auf das Symbol des Wechseldatenträgers das die Kamera darstellt.
- Kopieren Sie Bilder aus dem Ordner auf Ihren Computer.

ÜBER APP

- Klicken Sie in der App unten auf das Kamerasymbol, um um das Fotoalbum zu öffnen, wo sich alle aufgenommenen Fotos und Videos befinden.



- Sie können einzelne oder alle Fotos und Videos löschen oder downloaden.



- Sie können auch ausgewählte Fotos und Videos auf Ihr Smartphone herunterladen. Nach dem Herunterladen auf Ihr Smartphone können Sie die Dateien im Bilderverzeichnis/Fotoalbum abrufen.



9. TECHNISCHE DATEN

Bildsensor	4 MP
Fotoauflösung	4MP (Sensor) 8MP, 16MP, 24MP (interpoliert)
Bildformat:	JPEG
Video-Auflösung	FHD@30fps, HD@30fps
Video-Format	AVI
Video-Länge	5 Sek. bis 3 Min.
Audio-Aufzeichnung	Yes
Linse	f=3,8mm, F=2,0, FOV=105°
Display	2.4" TFT
Dateivorschau	Yes
Interner Speicher	16M x 16 DDR
Externer Speicher	SD/TF-Karte mit bis zu 512 GB
IR-Filter	Automatisch
IR LED	850nm
Reichweite des IR-Blitzes	18 m
Auslöse-Modus	PIR-Auslöser
PIR-Erfassungswinkel	Mitte: 35°/40° Seitlich: 30°(L & R) Insgesamt: 100°
Auslöseabstand	20 m (bei unter 25°C und auf gleicher Höhe)

Auslösezeit	< 0.5 Sek.
PIR-Intervall	Einstellbar von 0 Sekunden bis 60 Minuten
Multi-Shot	Einstellbar von 1-9 Bilder
Bildinformationsstempel	Uhrzeit & Datum, Datum, Aus
Datei-Schutz	Passwortschutz
Effektivität	Tagsüber: 1 m - unendlich Nachts: 3 m - 18 m
Automatische Bildifferenzierung	Farbbilder bei Tageslicht Schwarz-Weiß-Nachtbilder
WLAN-Verbindung	Foto- und Videoübertragung auf ein mobiles Gerät via App Bearbeitung der Kameraeinstellung über die App
WLAN Entfernung	ca. 15 m.
Unterstützte Plattformen (APP)	ab iOS 9.0 ab Android 5.0 mit Bluetooth LE
Stromzufuhr	AA Alkaline-Batterien (8 St.)
Warnung bei niedrigem Batteriestand	Yes
PC-Schnittstelle	USB 2.0 Typ C
Standby-Zeit	6 Monate
Standby-Stromverbrauch	0.5 mA
Wasserdicht	IP 54
Betriebstemperaturbereich	-20°C – 60°C
Kamerafarbe	schwarz
Kamera-Abmessungen	ca. 13,66cm x 6,09cm x 9,5cm
Kameragewicht:	ca. 280g
Zubehör	Wandhalterung, Befestigungsgurt, USB-Datenkabel, 32 GB Micro SDHC-Speicherkarte mit SD-Adapter, Bedienungsanleitung

10. MONTIERUNG

Wir empfehlen die Montage der Kamera an einem stabilen Baum mit einem Durchmesser von etwa 15 cm (6 Zoll). (15 cm). Um eine optimale Bildqualität zu erhalten, sollte der Baum etwa 5 m (16-17 ft) von dem zu überwachenden Ort entfernt sein, wobei die Kamera in einer Höhe von 1,5 bis 2 m (5 - 6,5 ft) angebracht sein sollte.

(1.5 ~ 2 m) Denken Sie auch daran, dass Sie nachts die besten Ergebnisse erzielen, wenn sich das Motiv innerhalb der idealen Blitzreichweite befindet, d.h. nicht weiter als 19 m (60') und nicht näher als 3 m (10') von der Kamera entfernt ist.

11. TESTEN DES ERFASSUNGSWINKELS UND DES ABSTANDS

Um herauszufinden, ob die Kamera den von Ihnen gewählten Bereich effektiv überwachen kann, wird dieser Test empfohlen, um den Erfassungswinkel und den Überwachungsabstand der Kamera zu überprüfen. So führen Sie den Test durch:

- Schalten Sie die Kamera in den SETUP-Modus.
- Führen Sie an mehreren Stellen des Bereichs vor der Kamera, an denen Sie Wild oder andere Tiere erwarten, Bewegungen aus. Ändern Sie dabei auch Entfernung und Winkel zur Kamera.
- Wenn die Bewegungsanzeige-LED blinkt, bedeutet dies, dass Bewegungen an dieser Position erfasst werden können.

Die Ergebnisse Ihrer Tests helfen Ihnen, den besten Ort für die Montage und Ausrichtung der Kamera zu finden. Die Höhe über dem Boden, in der das Gerät angebracht werden soll, sollte der Größe des Tieres entsprechen. Im Allgemeinen wird ein Abstand von 3 bis 6 Fuß bevorzugt. Sie können potenzielle Fehlauflösungen aufgrund von Temperatur- und Bewegungsstörungen vor der Kamera vermeiden, indem Sie die Kamera nicht auf eine Wärmequelle oder nahe gelegene Äste oder Büsche richten (insbesondere an windigen Tagen).

ENTSORGUNG



Entsorgen Sie die Verpackungsmaterialien sortenrein.

Wenden Sie sich an Ihren örtlichen Entsorgungsdienst oder die Umweltbehörde, um Informationen über die ordnungsgemäße Entsorgung zu erhalten.



Werfen Sie Elektrogeräte nicht in den Hausmüll! Gemäß der Europäischen Richtlinie 2012/19/EU über Elektro- und Elektronik-Altgeräte und deren Umsetzung in nationales Recht müssen verbrauchte Elektrogeräte getrennt gesammelt und einer umweltgerechten Wiederverwertung zugeführt werden.



Gemäß den Vorschriften für Batterien und Akkus ist die Entsorgung im normalen Hausmüll ausdrücklich verboten. Bitte entsorgen Sie Ihre

gebrauchten Batterien wie gesetzlich vorgeschrieben - an einer lokalen Sammelstelle oder im Einzelhandel. Die Entsorgung über den Hausmüll verstößt gegen die Batterie-Richtlinie. Batterien, die Giftstoffe enthalten, sind mit einem Zeichen und einem chemischen Symbol gekennzeichnet.



1 Batterie enthält Cadmium
2 Batterie enthält Quecksilber
3 Batterie enthält Blei

12. EG-KONFORMITÄTSERKLÄRUNG



Hiermit erklärt Bresser GmbH, dass der Funkanlagentyp mit Artikelnummer: 9633106 der Richtlinie 2014/53/EU entspricht. Der vollständige Text der EG-Konformitätserklärung ist unter der folgenden Internetadresse verfügbar: www.bresser.de/download/9633106/CE/9633106_CE.pdf

13. GARANTIE

Die reguläre Garantiezeit beträgt 2 Jahre und beginnt am Tag des Kaufs. Um von einer verlängerten, freiwilligen Garantiezeit wie auf dem Geschenkkarton angegeben zu profitieren, ist eine Registrierung auf unserer Website erforderlich.

Die vollständigen Garantiebedingungen sowie Informationen zu Garantiezeitverlängerung und Serviceleistungen können Sie unter www.bresser.de/garantiebedingungen einsehen.



www.bresser.de/garantiebedingungen

Service

DE AT CH BE

Bei Fragen zum Produkt und eventuellen Reklamationen nehmen Sie bitte zunächst mit dem Service-Center Kontakt auf, vorzugsweise per E-Mail.

E-Mail: service@bresser.de
Telefon*: +49 28 72 80 74 210

BRESSER GmbH
Kundenservice
Gutenbergstr. 2
46414 Rhede
Deutschland

*Lokale Rufnummer in Deutschland (Die Höhe der Gebühren je Telefonat ist abhängig vom Tarif Ihres Telefonanbieters); Anrufe aus dem Ausland sind mit höheren Kosten verbunden.

GB IE

Please contact the service centre first for any questions regarding the product or claims, preferably by e-mail.

E-Mail: service@bresseruk.com
Telephone*: +44 1342 837 098

BRESSER UK Ltd.
Suite 3G, Eden House
Enterprise Way
Edenbridge, Kent TN8 6HF
Great Britain

*Number charged at local rates in the UK (the amount you will be charged per phone call will depend on the tariff of your phone provider); calls from abroad will involve higher costs.

FR BE

Si vous avez des questions concernant ce produit ou en cas de réclamations, veuillez prendre contact avec notre centre de services (de préférence via e-mail).

E-Mail: sav@bresser.fr
Téléphone*: 00 800 6343 7000

BRESSER France SARL
Pôle d'Activités de Nicopolis
314 Avenue des Chênes Verts
83170 Brignoles
France

*Prix d'un appel local depuis la France ou Belgique

NL BE

Als u met betrekking tot het product vragen of eventuele klachten heeft kunt u contact opnemen met het service centrum (bij voorkeur per e-mail).

E-Mail: info@bresserbenelux.nl
Telefoon*: +31 528 23 24 76

BRESSER Benelux
Smirnoffstraat 8
7903 AX Hoogeveen
The Netherlands

*Het telefoonnummer wordt in het Nederland tegen lokaal tarief in rekening gebracht. Het bedrag dat u per gesprek in rekening gebracht zal worden, is afhankelijk van het tarief van uw telefoon provider; gesprekken vanuit het buitenland zullen hogere kosten met zich meebrengen.

ES PT



Si desea formular alguna pregunta sobre el producto o alguna eventual reclamación, le rogamos que se ponga en contacto con el centro de servicio técnico (de preferencia por e-mail).

E-Mail: servicio.iberia@bresser-iberia.es
Teléfono*: +34 91 67972 69

BRESSER Iberia SLU
c/Valdemorillo,1 Nave B
P.I. Ventorro del Cano
28925 Alcorcón Madrid
España

*Número local de España (el importe de cada llamada telefónica dependen de las tarifas de los distribuidores); Las llamadas des del extranjero están ligadas a costes suplementarios.

Bresser GmbH
Gutenbergstraße 2
46414 Rhede · Germany
www.bresser.de

    @BresserEurope



Bresser UK Ltd.
Suite 3G, Eden House
Enterprise Way, Edenbridge,
Kent TN8 6HF, Great Britain