

CUSTOMER INFO
Minimum Point Size = 3.90pt

RB Artwork and Print Specification

Trident Reference No: RB521853
ZEN Ref: **TR2505287**
Action: **G**
Brand: Durex
Category: Condoms
Segment Group: Thin Feel
Segment: Close Fit
Pack Size: 10 Pack
Market/Country: BNL
Date: 06/09/2022

RBH Contact: Valentine Chengsavang

Artwork Type: BW Commercial

Component Code (2D if applicable): **50023659**
2nd Component Code (if applicable): **N/A**
Parent Technical Packaging Specification: **TP150001323**
Finished Goods Code: **3233053**
Supply Point: **RB Thailand (Bangkok Factory)**
3rd Party Code: **N/A**
Pharmaceutical No/NE: **N/A**
Edgemark Position: **N/A**

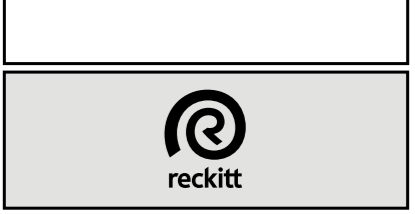
CAD Cam Ref: Du-Gs-TP5001323-63x7x12mm (Internal printing Metallic)
Printer: TPN Packaging (Chachoengsao, Thailand)
Substrate: Carton Board - Silver

Technical & Non Printing Items

	Dieline		Dieline 2 (if applicable)
	Guides		Guides 2 (if applicable)

Colours Carton

White	Process cyan	Process magenta	Process yellow
Black	PANTONE 185 C	Varnish Satin	Varnish Gloss
Emboss			
Reverse Print	PANTONE Reflex Blue C	PANTONE 299 C	



Connaught House, Connaught Road, Kingswood Business Park, Hull, HU7 3AP, England. T: +44 (0) 01482 828100

Please note that any low resolution paper Canon colour copies associated with this job should be referred to for content, layout and colour separation only.

UNDER NO CIRCUMSTANCES SHOULD THIS ARTWORK BE ALTERED WITHOUT PRIOR PERMISSION FROM TRIDENT.

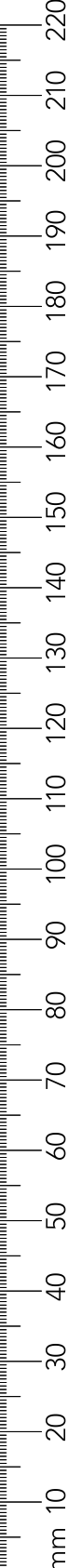
STUDIO USE ONLY Jeraldwilson Clementraj v2.0

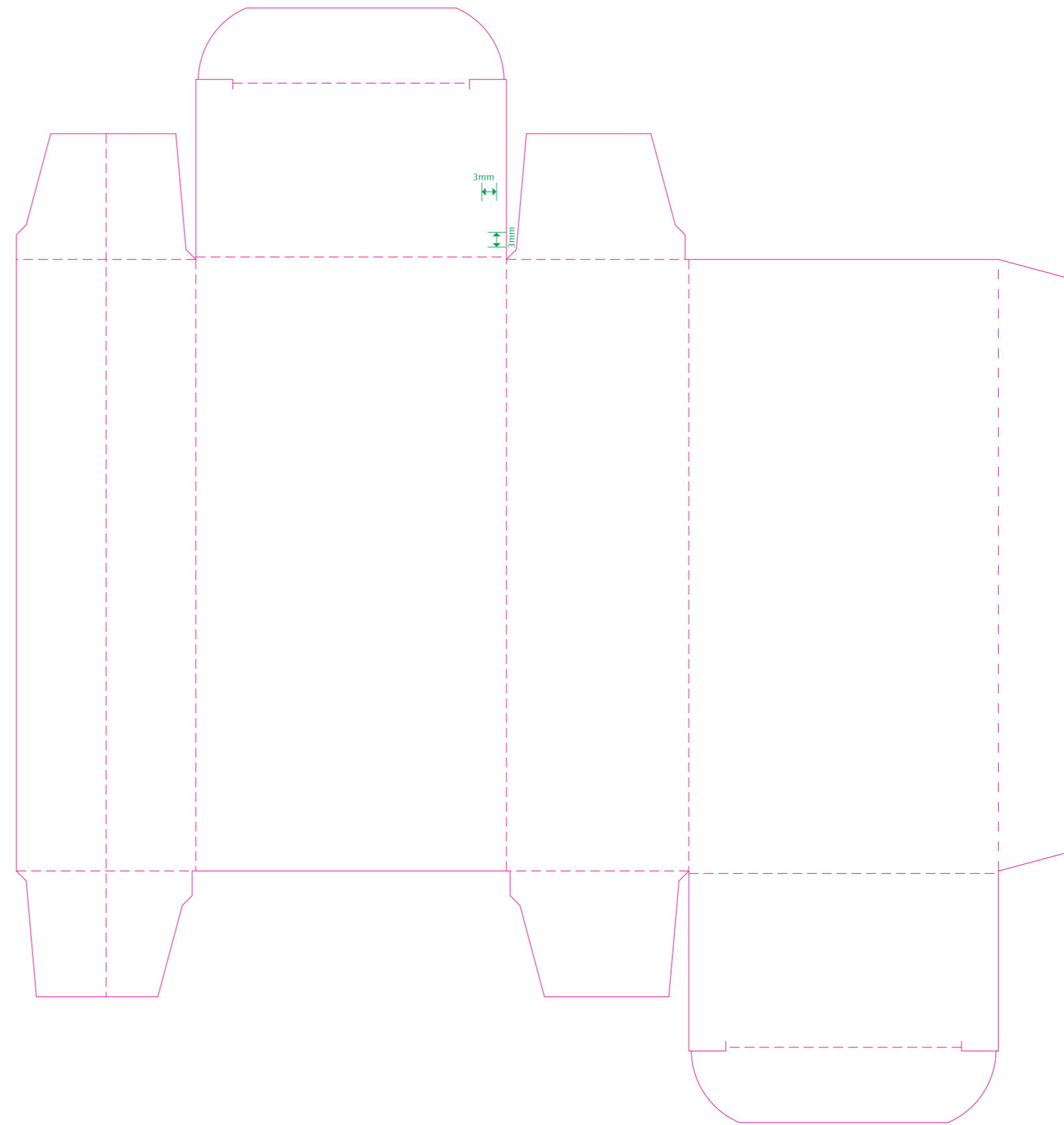
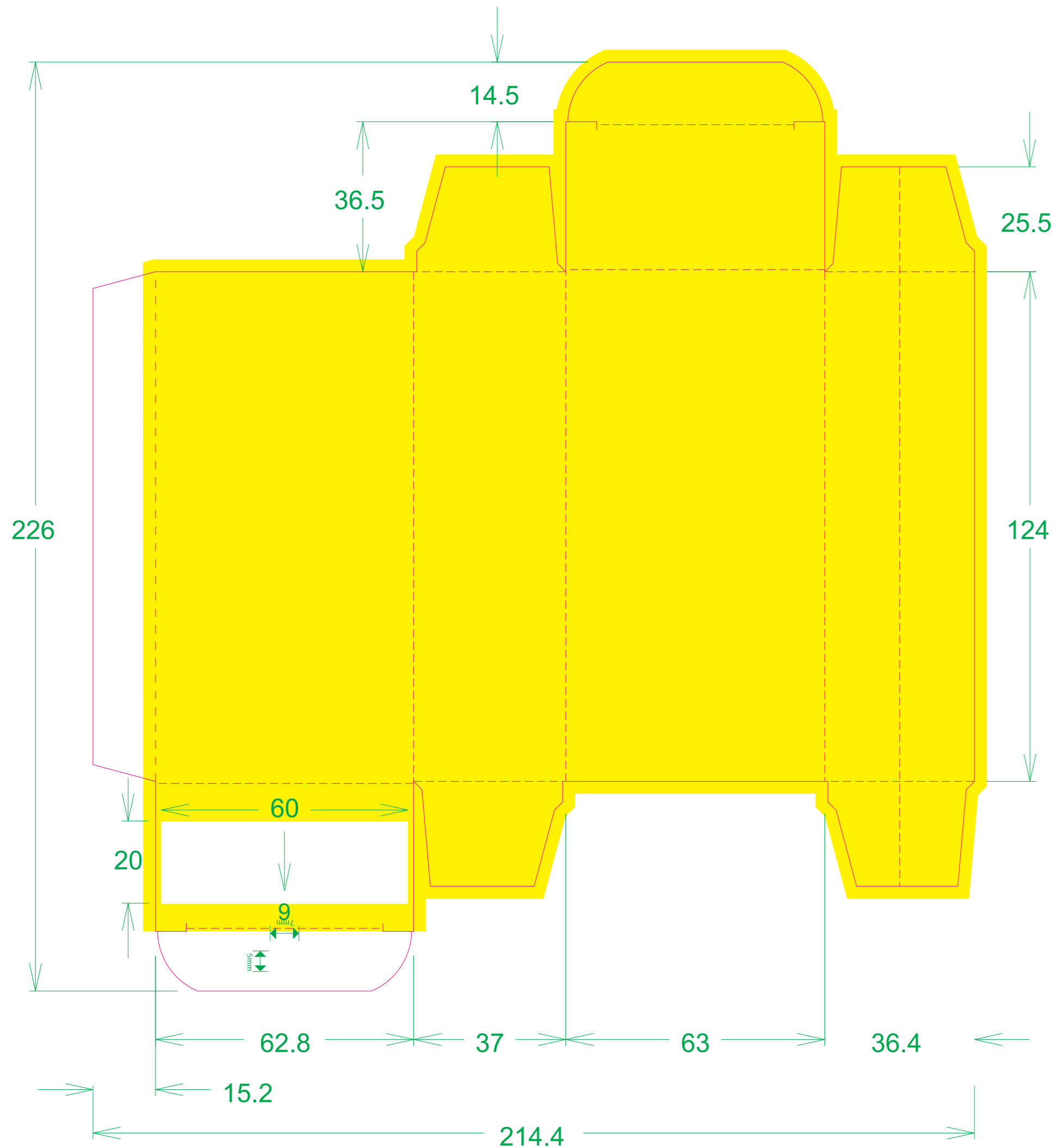
BARCODE INFO

Barcode Type: EAN 13
Code Value: 3059948007098
Magnification: 85 %
Overall Height: 22.12 mm
Bar Height: 19.5 mm
BWR Applied: 30 Micrometre

BARCODE INFO

Barcode Type: 2D Code
Code Value: 50023659
Magnification: N/A %
Overall Height: 5 mm
Bar Height: N/A mm
BWR Applied: 0 Micrometre





RB Artwork and Print Specification

Trident Reference No: RB521853
 ZEN Ref: **TR2505287**
 Action: **G**
 Brand: Durex
 Category: Condoms
 Segment Group: Thin Feel
 Segment: Close Fit
 Pack Size: 10 Pack
 Market/Country: BNL
 Date: 06/09/2022

RBH Contact: Valentine Chengsavang

Artwork Type: BW Commercial

Component Code (2D if applicable): **50023659**
 2nd Component Code (if applicable): **N/A**
 Parent Technical Packaging Specification: TP150001323
 Finished Goods Code: **3233053**
 Supply Point: RB Thailand (Bangkok Factory)
 3rd Party Code: N/A
 Pharmacode No/NE: N/A
 Edgemark Position: N/A

CAD Cam Ref: Du-Ca-TR5001323-3x12mm-Internal printing Metallic
 Printer: TPN Packaging (Chachoengsao, Thailand)
 Substrate: Carton Board - Silver

Technical & Non Printing Items

- Dieline (if applicable)
- Dieline 2 (if applicable)
- Guides (if applicable)
- Guides 2 (if applicable)

Colours

Carton

White	Process cyan	Process magenta	Process yellow
1	2	3	4
100%	100%	100%	100%
Black	PANTONE 185 C	Varnish Satin	Varnish_Gloss
5	6	7	8
100%	100%	100%	100%
Emboss			
9			
100%			
Reverse Print		PANTONE 299 C	
11		12	
100%		100%	



Please note that any low resolution paper Canon colour copies associated with this job should be referred to for content, layout and colour separation only.

UNDER NO CIRCUMSTANCES SHOULD THIS ARTWORK BE ALTERED WITHOUT PRIOR PERMISSION FROM TRIDENT.

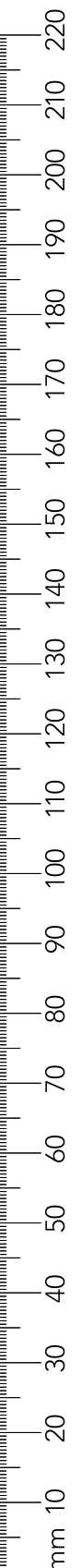
STUDIO USE ONLY Jeraldwilson Clementraj v2.0

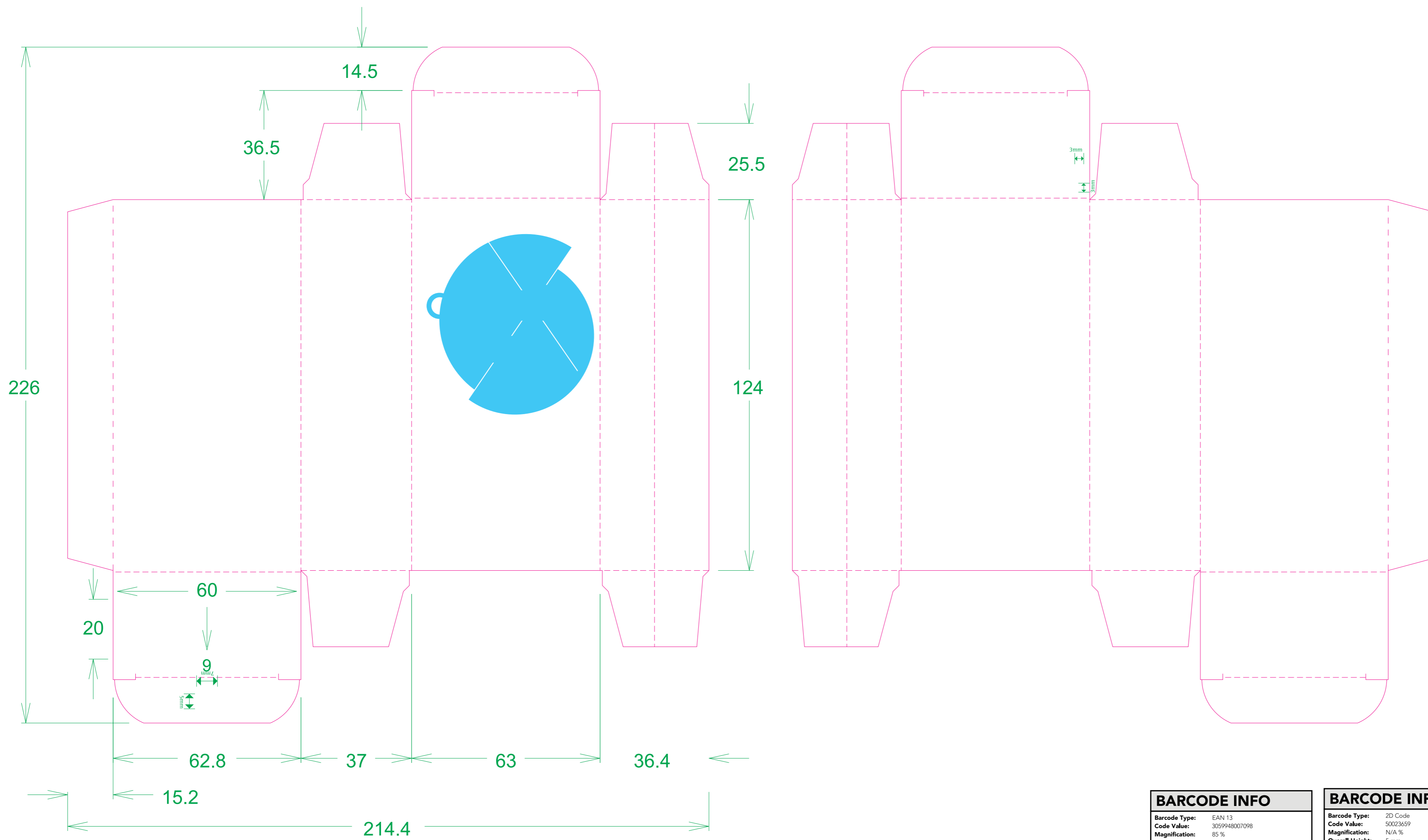
BARCODE INFO

Barcode Type:	EAN 13
Code Value:	3059948007098
Magnification:	85 %
Overall Height:	22.12 mm
Bar Height:	19.5 mm
BWR Applied:	30 Micrometre

BARCODE INFO

Barcode Type:	2D Code
Code Value:	50023659
Magnification:	N/A %
Overall Height:	5 mm
Bar Height:	N/A mm
BWR Applied:	0 Micrometre





RB Artwork and Print Specification

Trident Reference No: RB521853
 ZEN Ref: **TR2505287**
 Action: **G**
 Brand: Durex
 Category: Condoms
 Segment Group: Thin Feel
 Segment: Close Fit
 Pack Size: 10 Pack
 Market/Country: BNL
 Date: 06/09/2022

RBH Contact: Valentine Chengsavang

Artwork Type: BW Commercial

Component Code (2D if applicable): **50023659**
 2nd Component Code (if applicable): **N/A**
 Parent Technical Packaging Specification: TP150001323
 Finished Goods Code: **3233053**
 Supply Point: RB Thailand (Bangkok Factory)
 3rd Party Code: N/A
 Pharmacode No/NE: N/A
 Edgemark Position: N/A

CAD Cam Ref: Du-Gs TR5001233333/2mm Internal printing Metallic
 Printer: TPN Packaging (Chachoengsao, Thailand)
 Substrate: Carton Board - Silver

Technical & Non Printing Items
 ■ Dieline ■ Dieline 2 (if applicable)
 ■ Guides ■ Guides 2 (if applicable)

Colours
 Carton

White	Process cyan	Process magenta	Process yellow
1	2	3	4
100%	100%	100%	100%
Black	PANTONE 185 C	Varnish Satin	Varnish_Gloss
5	6	7	8
100%	100%	100%	100%
Emboss			
9			
100%			
Reverse Print	PANTONE 299 C		
11	12		
100%	100%		



Please note that any low resolution paper Canon colour copies associated with this job should be referred to for content, layout and colour separation only.

UNDER NO CIRCUMSTANCES SHOULD THIS ARTWORK BE ALTERED WITHOUT PRIOR PERMISSION FROM TRIDENT.

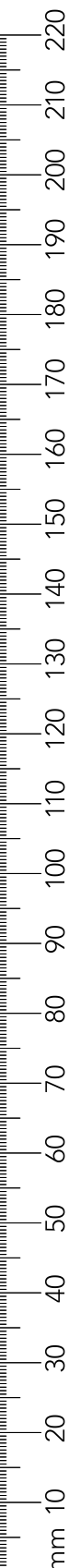
STUDIO USE ONLY Jeraldwilson Clementraj v2.0

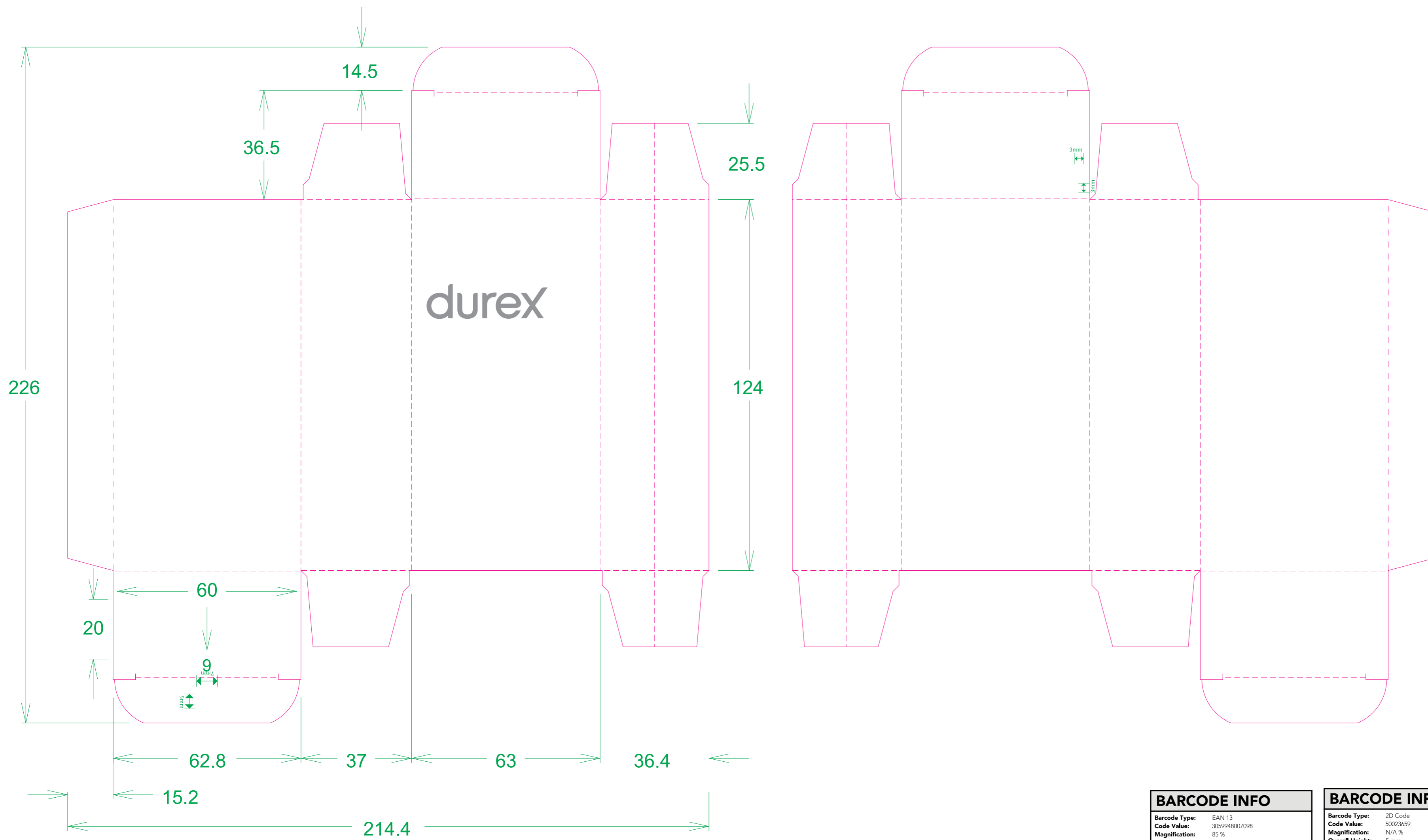
BARCODE INFO

Barcode Type:	EAN 13
Code Value:	3059948007098
Magnification:	85 %
Overall Height:	22.12 mm
Bar Height:	19.5 mm
BWR Applied:	30 Micrometre

BARCODE INFO

Barcode Type:	2D Code
Code Value:	50023659
Magnification:	N/A %
Overall Height:	5 mm
Bar Height:	N/A mm
BWR Applied:	0 Micrometre





RB Artwork and Print Specification

Trident Reference No: RB521853
 ZEN Ref: **TR2505287**
 Action: **G**
 Brand: Durex
 Category: Condoms
 Segment Group: Thin Feel
 Segment: Close Fit
 Pack Size: 10 Pack
 Market/Country: BNL
 Date: 06/09/2022

RBH Contact: Valentine Chengsavang

Artwork Type: BW Commercial

Component Code (2D if applicable): **50023659**
 2nd Component Code (if applicable): **N/A**
 Parent Technical Packaging Specification: TP150001323
 Finished Goods Code: **3233053**
 Supply Point: RB Thailand (Bangkok Factory)
 3rd Party Code: N/A
 Pharmacode No/NE: N/A
 Edgemark Position: N/A

CAD Cam Ref: Du-Gs TR5001323&JN/2mm (internal printing Metall)
 Printer: TPN Packaging (Chachoengsao, Thailand)
 Substrate: Carton Board - Silver

Technical & Non Printing Items
 ■ Dieline ■ Dieline 2 (if applicable)
 ■ Guides ■ Guides 2 (if applicable)

Colours
Carton

White	Process cyan	Process magenta	Process yellow
1	2	3	4
100%	100%	100%	100%
Black	PANTONE 185 C	Varnish Satin	Varnish_Gloss
5	6	7	8
100%	100%	100%	100%
Emboss			
9			
100%			
Reverse Print			
PANTONE 185 C	PANTONE 299 C		
10	11		
100%	100%		



Please note that any low resolution paper Canon colour copies associated with this job should be referred to for content, layout and colour separation only.

UNDER NO CIRCUMSTANCES SHOULD THIS ARTWORK BE ALTERED WITHOUT PRIOR PERMISSION FROM TRIDENT.

STUDIO USE ONLY Jeraldwilson Clementraj v2.0

BARCODE INFO

Barcode Type:	EAN 13
Code Value:	3059948007098
Magnification:	85 %
Overall Height:	22.12 mm
Bar Height:	19.5 mm
BWR Applied:	30 Micrometre

BARCODE INFO

Barcode Type:	2D Code
Code Value:	50023659
Magnification:	N/A %
Overall Height:	5 mm
Bar Height:	N/A mm
BWR Applied:	0 Micrometre



Production line		
Manufacturing site		
Pack Tech approver	1st 2nd	
Date		
Check Criteria	Details & Comments	Checks
Approvals		1st 2nd
Market Approval		
Regulatory Approval		
3rd Party Approval		
Technical Drawing/ Cutter ref no. & PPI component code		
PPI component code number/s correct on artwork?		
PPI component code number/s in correct position on artwork?		
Correct drawing for the production line?		
Profile shape & dimensions		
Graphics layout/orientation		
Unwind diagram (PPTD1022/1-20)		
Printable areas/bleed		
Varnish free areas		
Variable coding position & dimensions		
Varnish and print requirements		
Pre-printed headers (alignment and suitability)		
Embossing, Braille & Foil Blocking		
Separations on artwork		
Alignment within cutter		
Braille structure		
Verification Code Type; Pharma Code / 2D / OCV		
Bar sequence and/or number correct on artwork		
Bar sequence and/or number in correct position on artwork?		
Size (height, width, spacing, font)		
Direction of read		
Light margins and print free areas		
Colour		
Repeat distance (reeled material)		
Cross check related docs ie BOM		
Bar code Type; EAN, ITF, Code39, etc		
Magnification / width and height		
Colour (e.g. black print on white background)		
Light margins & indicators		
Bearer bars & H gauges (if required)		
Symbol grade (Pass = A,B,C; Action = D,F)		
Bar code number (human readable)		
Bar code number (encoded & hidden data)		
Confirm bar code number from source		
Cross check related docs (JDE/PID)		
Photo-electric cell mark / edge marks		
Present & per Tech drawing?		
Correct pitch?		
Additional markings		
e-mark, recycle logo etc		
Legend box (RB specification)		
Correct component code		
Correct D spec / has cutter changed?		
Correct printer / has printer changed?		
Correct Substrate		
A/W is set up appropriately for this substrate		
Edge mark details		
Pharmacode details		
Colours & print process		
Varnish		
Barcode information		
General details are correct		
Pass / Fail comments and Signature		
By approving the artwork referenced within this form I authorise it for release to the print supplier		
Additional Comments		

RB Artwork and Print Specification

Trident Reference No: RB521853
 ZEN Ref: **TR2505287**
 Action: **G**
 Brand: Durex
 Category: Condoms
 Segment Group: Thin Feel
 Segment: Close Fit
 Pack Size: 10 Pack
 Market/Country: BNL
 Date: 06/09/2022

RBH Contact: Valentine Chengsavang

Artwork Type: BW Commercial

Component Code (2D if applicable): **50023659**
 2nd Component Code (if applicable): **N/A**
 Parent Technical Packaging Specification: TP150001323
 Finished Goods Code: **3233053**
 Supply Point: RB Thailand (Bangkok Factory)
 3rd Party Code: N/A
 Pharmacode No/NE: N/A
 Edgemark Position: N/A

CAD Cam Ref: Du-G:TP5001323-63J/2mm (Internal printing Metal)
 Printer: TPN Packaging (Chachoengsao, Thailand)
 Substrate: Carton Board - Silver

Technical & Non Printing Items
 Dieline Dieline 2 (if applicable)
 Guides Guides 2 (if applicable)

Colours
Carton

White	Process cyan	Process magenta	Process yellow
1	2	3	4
5	6	7	8
Black	PANTONE 185 C	Varnish Satin	Varnish_Gloss
9	10	11	12
Emboss			
Reverse Print	PANTONE 299 C		
13	14		



Please note that any low resolution paper Canon colour copies associated with this job should be referred to for content, layout and colour separation only.

UNDER NO CIRCUMSTANCES SHOULD THIS ARTWORK BE ALTERED WITHOUT PRIOR PERMISSION FROM TRIDENT.

