

Wireless Portable Electric Garlic Masher

SR01 Operating Instructions

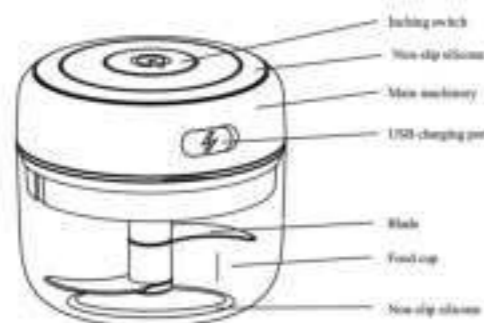


Please read these instructions carefully before use.

Product Features

1. This product features in unique appearance, all body waterproof and wireless portable design.
2. With the double electronic induction safety switch, users can control the grinding degree of food at will by pressing the switch.
3. With the food grade PC blender jar and food grade SUS304 stainless steel blades, the product is easy to clean and can be sterilized at high temperature, which is healthy and clean.
4. Detachable parts can be washed by water directly.

Product Structure



Package Contents

NO.	Name	Quantity	Unit	NO.	Name	Quantity	Unit
1	Main engine	1	N/A	4	USB charging cable	1	N/A
2	Blade	1	N/A	5	Instructions	1	N/A
3	Blender jar	1	N/A	6	Warranty Card	1	N/A

Product Specifications

Product name	Wireless Portable Electric Garlic Masher
Product model	SR01
Rated capacity	100ml
Battery voltage	3.7V
Rated operational current	1.2A
Rated power	30W
Running time	<30S
Rated input voltage	5V
Rated input current	1A
Executive standard	GB4706.1-2005 GB4706.30-2008

Instructions

1. For the first use, please fully charge the main engine. After the main engine is fully charged, the blue indicator light is always being on. Then clean the main engine, blades and blender jar.



2. Insert the blades into the shaft of the blender jar, and then fill the blender jar with washed ingredients (up to the maximum food limit).



3. After the food is put into the blender jar, install the main engine along the two slots of the jar. When the main engine is installed, the blue indicator light flashes 5 times. Then press the latching switch to process the food. Do not overload the jar, otherwise the blades may not rotate when it is started. Please take out some food properly and continue the processing.



4. After starting, it will automatically stop working after 30 seconds. If the food is not so delicate as you expected, continue to press the latching switch for processing. After finishing, remove the blender jar attached from the main engine and pour out the food in the jar. Next, rinse it with water.

5. Indication of indicator lights

Status	Indication
Charging	A red light is always being on
Fully charged	A blue light is always being on
The safety switch is closed	The blue light flashes 5 times
A safety switch is off	Red and blue lights flash twice respectively
The product is working	A blue light is being on for 30 seconds
Battery is low	A red light is being on for 10 seconds

Electrical Schematic Diagram



Attentions

1. This product is a portable food processor. Please charge it before the first use.
2. Before adding ingredients, make sure the blades are in place and running smoothly.
3. Do not use sharp objects to scratch the machine.
4. Do not overload the food processor.
5. Do not place the blender in microwave oven or refrigerator for heating, so as to avoid breaking or damaging the blender. The maximum temperature resistance of the blender jar is 100 °C, and therefore the jar can be sterilized with boiling water.
6. Do not use the product to process very hard ingredients such as coffee beans, soybeans, Donkey-hide glue, rice, ice cubes or other frozen food.
7. Do not touch any detachable accessories such as the blades or the motor with your fingers while the blender is running, to avoid personal injury or damaging the product.
8. Never use the blender for more than 30 seconds without interruption at a time. Let the blender rest for 2 minutes between processing cycles. After working for 3 processing cycles, let it cool down before next use, so as to guarantee longer service life.
9. Do not touch the blades, for they are very sharp. Hold the cutter bar on the blades while removing or installing.
10. Never use scouring pads, abrasive cleaning agents or aggressive liquids such as petrol or acetone to clean the product. The product can be cleaned directly with water.
11. Never clean any part of the product in the dishwasher.
12. This product should be stored in a place not easily accessible to children. This product is not

- intended for use or play by persons (including children) with reduced physical, sensory or mental capabilities, or lack of experience and knowledge.
13. This product is for household use only, not for commercial use.
 14. Note: Be careful with the blades when removing them, and emptying and cleaning the jar.

Fault Analysis

Fault symptom	Indicator light	Cause analysis	Troubleshooting
After the main engine is installed, the machine does not work after opening the switch.	The red and blue lights flash alternately	The main engine and the blender jar are not connected perfectly	Reconnect the main engine and the blender jar
	A red light is always being on	Battery is low	Charge the main engine
The main engine cannot be charged	A blue light is always being on	The motor is damaged or stuck	Turn the motor shaft. If it still does not work, please send to nearest maintenance center for inspection
	The light isn't working	Check if the charging cable is loose	Replace with a new charging cable
When using the product for the first few times, the motor goes off an unpleasant smell		It is a normal phenomenon, for the new motor is initially used.	Replace with a new charging cable
The blades get stuck		The blades are jammed or stuck by ingredients	Remove the main engine, take out the ingredients, and cut the ingredients into small pieces or pull long ingredients

Note: The above are common fault analysis and troubleshooting methods. For other faults, please contact the dealer, or directly go to the maintenance center designated by the company for maintenance and inspection. Do not disassemble and repair yourself.

Cleaning

1. Please clean the main engine, blades and blender jar immediately after using the product.

2. The product can be cleaned directly with water or wiped with a soft wet cloth.
3. For more effective cleaning, you can apply a proper amount of detergent and clean it with a cleaning pad in warm water.
4. The blades are very sharp. Do not touch the blades with your fingers to avoid personal injury. Clean the blades with very clean water so that you can see the blades when cleaning.
5. Never use abrasive cleaning agents or aggressive liquids to clean the product.
6. Never sterilize any part of the product at high temperature.
7. Please dry or air dry all parts of the product after cleaning, and then reassemble and store the product.
8. If the product is not used for a long time, please charge the product within three months.

Food Contact List

Material Information Sheet of "Contact Food List" for Wireless Portable Electric Garlic Masher
This product meets the requirements of the corresponding national food safety standard GB4806.1-2016. The compliance information of the executive standard of "food contact" materials is as follows:

Component	Material	Executive standard	Test results
Main engine	ABS (Acrylonitrile-butadiene-styrene copolymer)	GB4806.7-2016	Meet the standard requirements
Shell	PCB	GB4806.7-2016	Meet the standard requirements
Blender jar	PC	GB4806.7-2016	Meet the standard requirements
Blades	304 stainless steel (SUS304)	GB4806.9-2016	Meet the standard requirements
Blender screw	304 stainless steel (SUS304)	GB4806.9-2016	Meet the standard requirements
Silica gel	Silicone rubber (E-Silica)	GB4806.11-2016	Meet the standard requirements

Note:

1. Special instructions: please use the product in strict accordance with the instructions and the attached materials.
2. The parts for food contact of the product are included in the above table. Some models may not contain certain materials, and the actual product shall prevail.

Environmental Protection List

The product used in this table

Wireless Portable Electric Garlic Masher

Statement of Hazardous Substances

According to Marking Requirements for Restricted Use of Hazardous Substances in Electronic and Electrical Products GB/T 26572-2011 (also known as China RoHS 2.0), the names and contents of hazardous substances that may be contained in this product are listed in the following part.

The form is compiled according to SJ/T11364

○ : Indicating that the content of the hazardous substance in all homogeneous materials of the part is below the limit requirements specified in GB/T26572(0.1%).

× : Indicating that the content of the hazardous substance in at least one homogeneous material of the part exceeds the limit requirements specified in GB/T26572. But for the part marked with "X" in the above table, the content of hazardous substance exceeds the limit requirements, for there is no mature alternative technology in the industry.

10 Environmental Protection Use Period

The mark on the product body indicates that the environmental protection use period is 10 years. The environmental protection use period of electronic and electrical products refers to the period when the toxic and hazardous substances or elements contained in the electronic and electrical products will not leak or mutate, and the uses of the electronic and electrical products will not cause serious pollution to the environment or serious damage to human body and property when using the electronic and electrical products.

Please use the product according to the instructions during the environmental protection use period.

Suggestive Notes to Regulations on the Management of Recycling and Treatment of Waste Electrical and Electronic Products

In order to better care for and protect the earth, when users no longer need this product or the product service life has ended, please comply with the national laws and regulations on recycling of waste electrical and electronic products, and hand it over to the local manufacturers with national recognized recycling qualification for recycling.

Environmental Protection List

In accordance with the provisions of the law of the People's Republic of China on the Administration of the Use of Hazardous Substances in Electronic Products, the names and contents of hazardous substances or elements that may be contained in electrical and electronic products are listed in the following table.

Parts	Toxic and Hazardous Substances or Elements					
	Lead (pb)	Mercury (Hg)	Cadmium (Cd)	Hexavalent Chromium (Cr(VI))	Polybrominated Biphenyls (PBB)	Polybrominated Diphenyl ether (PBDE)
Shell	0	0	0	0	0	0
Main engine cover	0	0	0	0	0	0
Mechanism part	0	0	0	0	0	0
Latch	0	0	0	0	0	0
PCB board	0	0	0	0	0	0
Battery	0	0	0	0	0	0
Motor	0	0	0	0	0	0
Blades	0	0	0	0	0	0
Charging cable - of the plastic coating of the connector	X	0	0	0	0	0
Charging cable - white coating	X	0	0	0	0	0
Charging cable - coating of the white connector	X	0	0	0	0	0
Charging cable - coating of the plug	X	0	0	0	0	0
Charging cable - soldering tin	X	0	0	0	0	0
Motor - soldering tin	X	0	0	0	0	0
PCB board - soldering tin	X	0	0	0	0	0
PCB board - chip resistor	X	0	0	0	0	0
PCB board - soldering tin of small PCB board	X	0	0	0	0	0

Product Warranty

Product Warranty Card

User Information

Name _____ Telephone _____

Email _____ Postcode _____

Detailed address _____

Product Information

Product name _____ Purchase date _____

Warranty region _____

- Before warranty, please refer to the [Warranty] chapter in the instructions and confirm whether you meet the conditions of free warranty.
- For free/paid warranty customers, it is required to contact with the dealers from whom the product was purchased.
- For customers who purchased the product from offline stores, invoices on the date of purchase are required for maintenance. For online customers such as from Taobao, Jingdong, etc., please confirm relevant warranty matters with the dealers.