
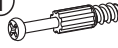



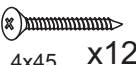
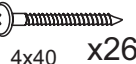
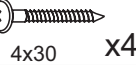


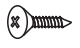







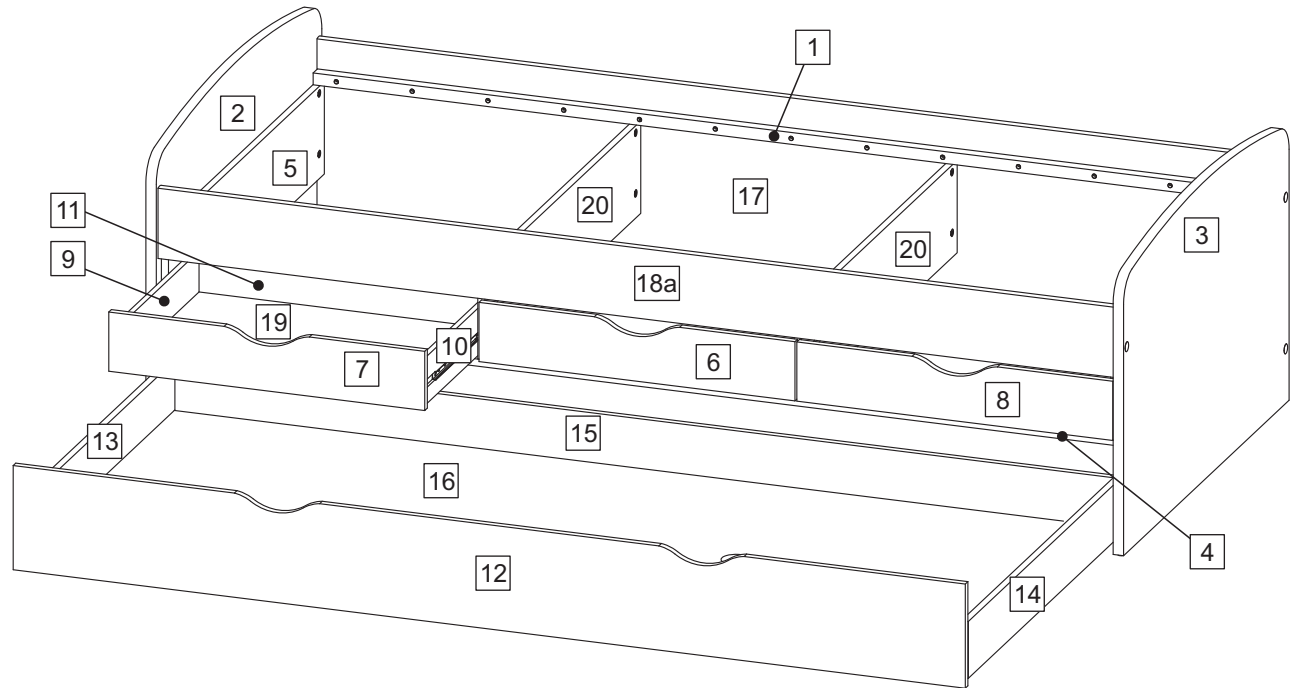


Beschläge - Colli 2

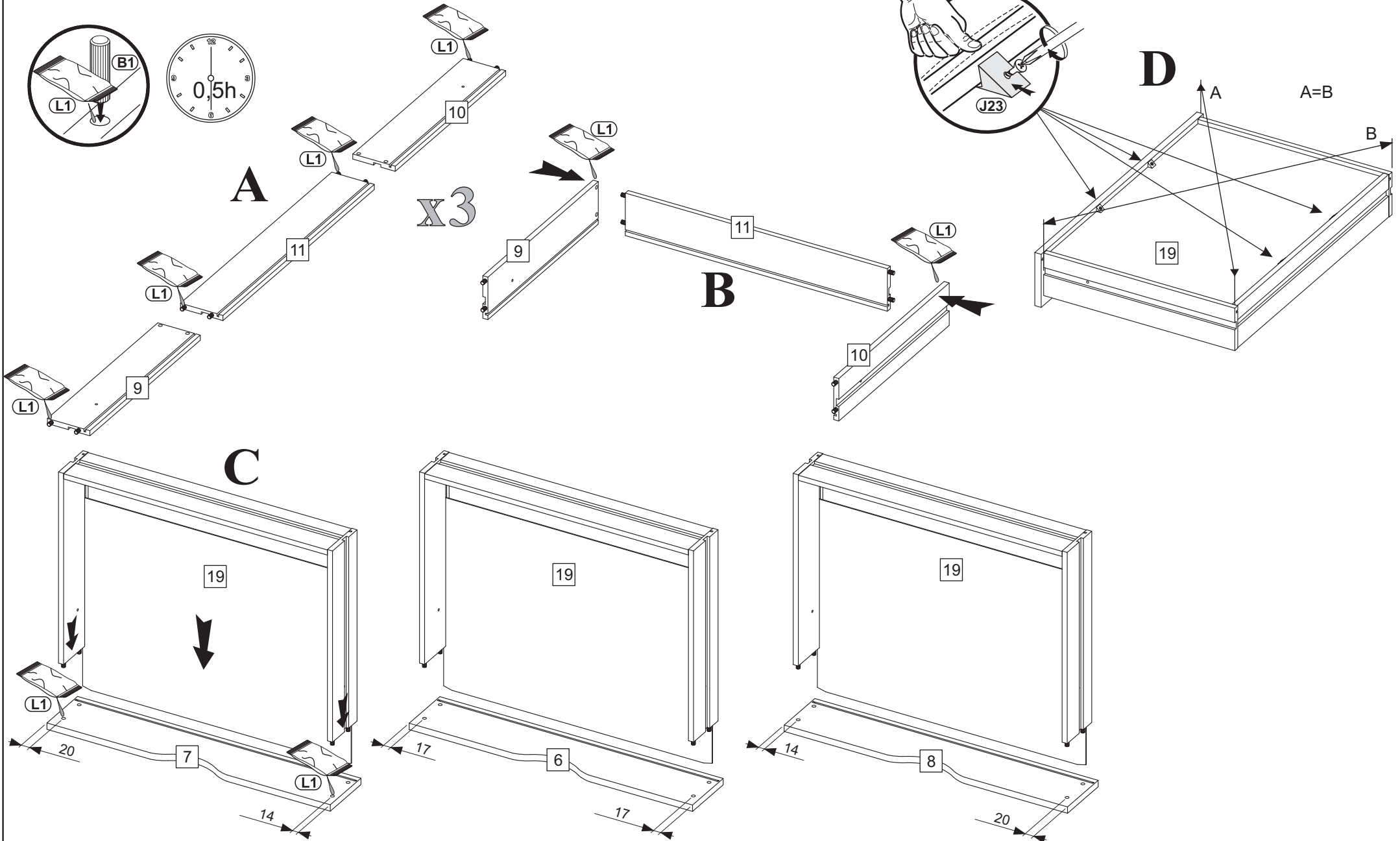
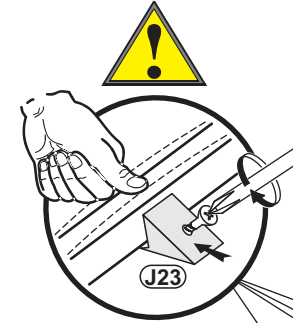
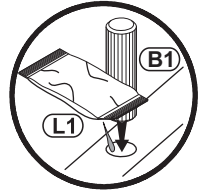
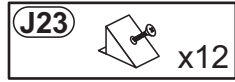
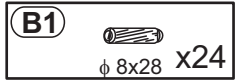
B1		x64
φ 8x28		
T1		x26
M1		x26
K2		x6
7x70		
C2		x6
φ 20		
S15		x12
4x45		
P7		x26
4x40		
P5		x4
4x30		
F15		x4

I4		x6
S3		x12
3,5x13		
R11		x6
350		
E4		x12
6,0x8		
A1		x6
M4x9		
J23		x12
L1		x2
L21		x4
P13		x16
3,5x13		


Nr	Ausmaß	St	Colli
1	1984 25 25	2	3
2	960 630 22	1	2
3	960 630 22	1	2
4	2020 180 15	1	3
5	904 195 15	2	2
6	667 125 15	1	3
7	667 125 15	1	3
8	667 125 15	1	3
9	450 100 12	3	3
10	450 100 12	3	3
11	621 100 12	3	3
12	2010 220 15	1	3
13	900 120 15	1	1
14	900 120 15	1	1
15	1982 104 15	1	1
16	1982 900 15	1	1
17	2020 520 18	1	3
18	2020 150 18	1	3
19	632 449 2	3	3
20	904 195 15	2	2

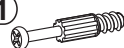


1




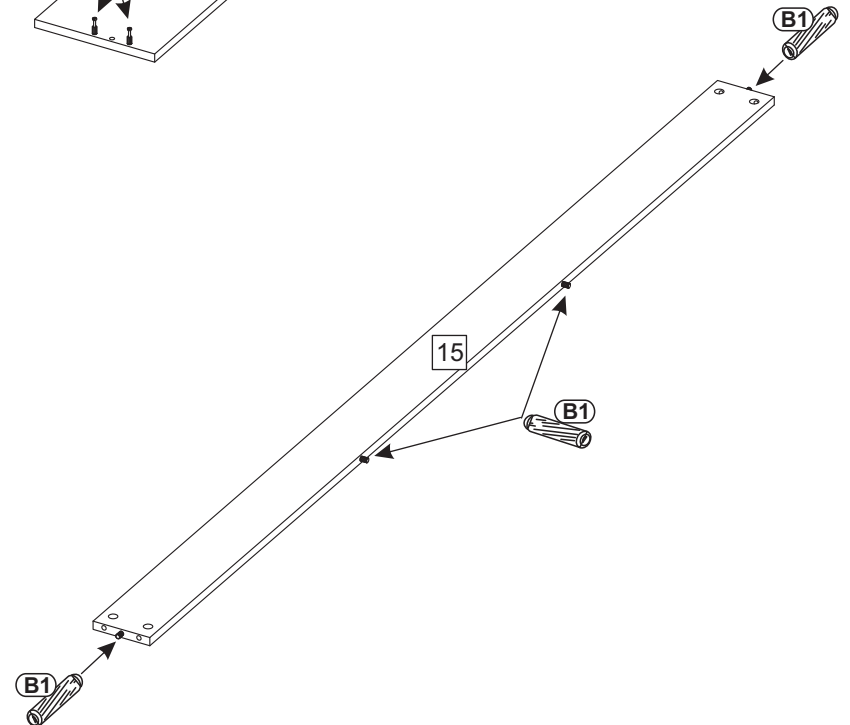
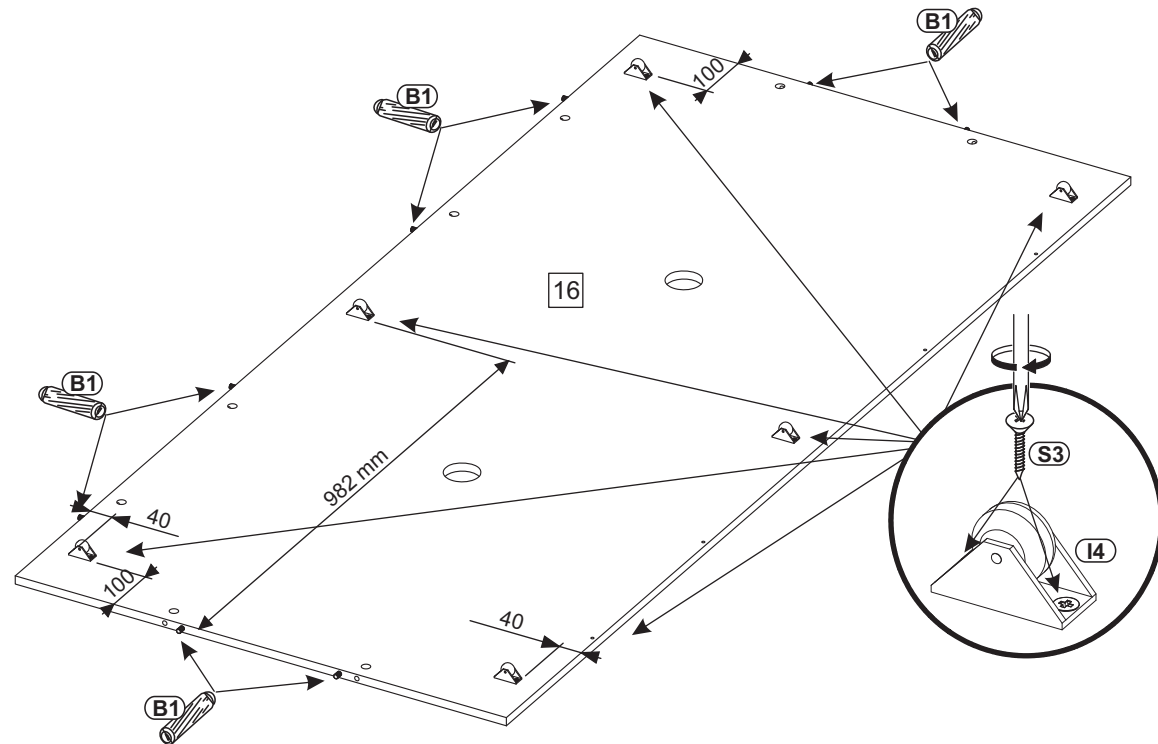
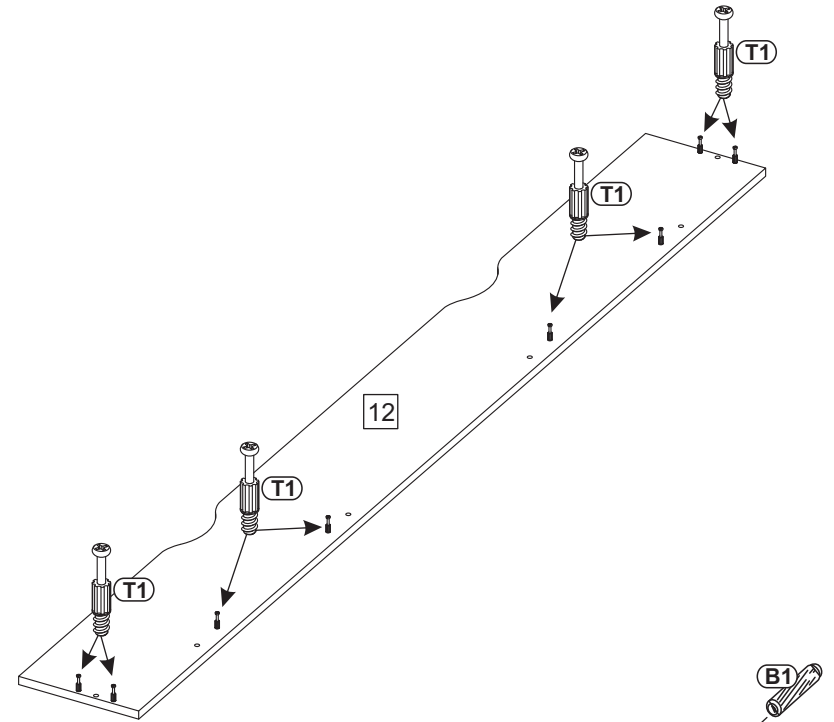
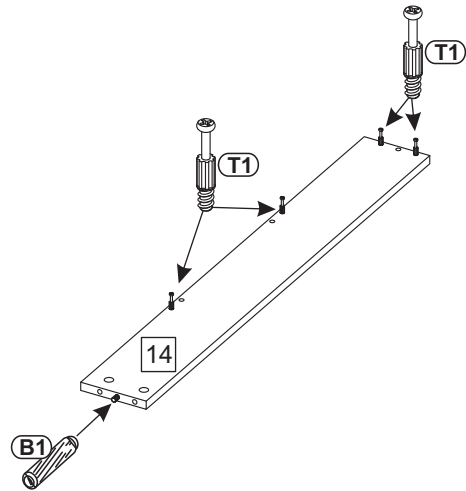
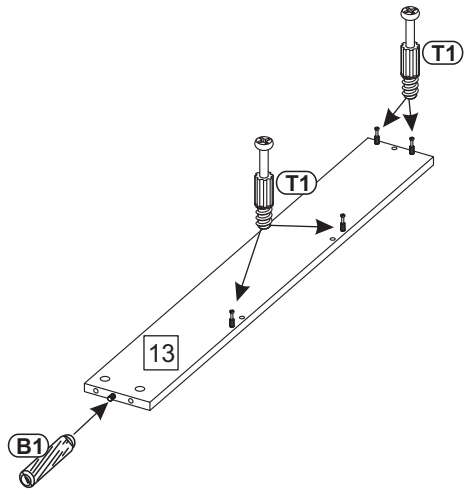
2

B1  $\phi 8 \times 28$ x14

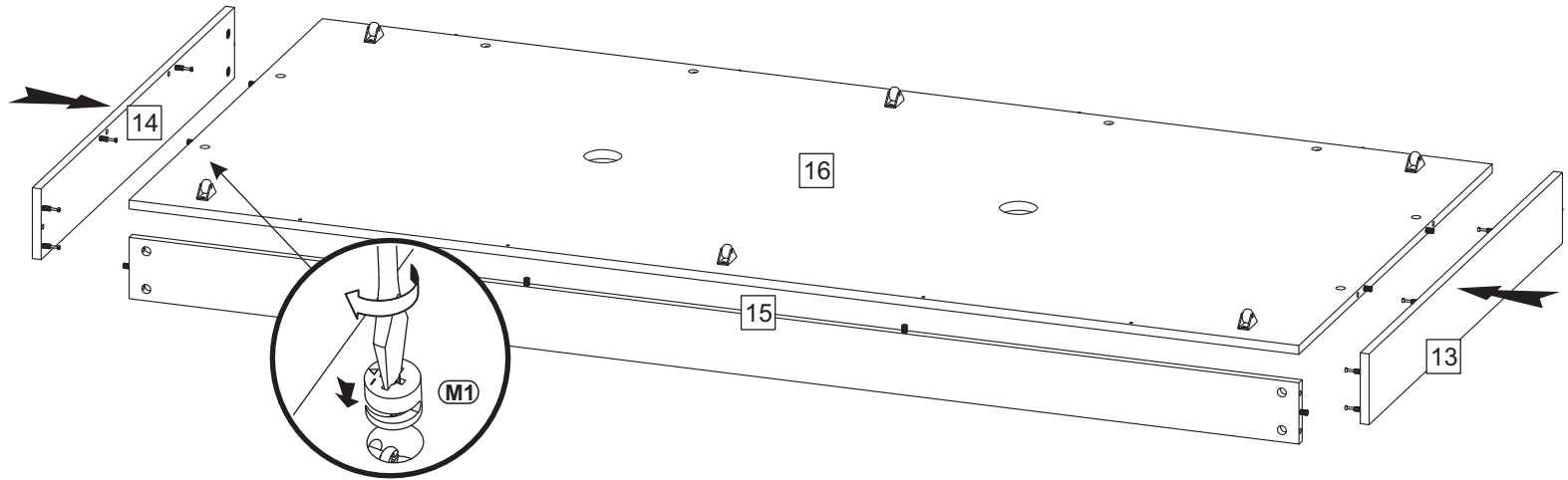
T1  x16

I4  x6

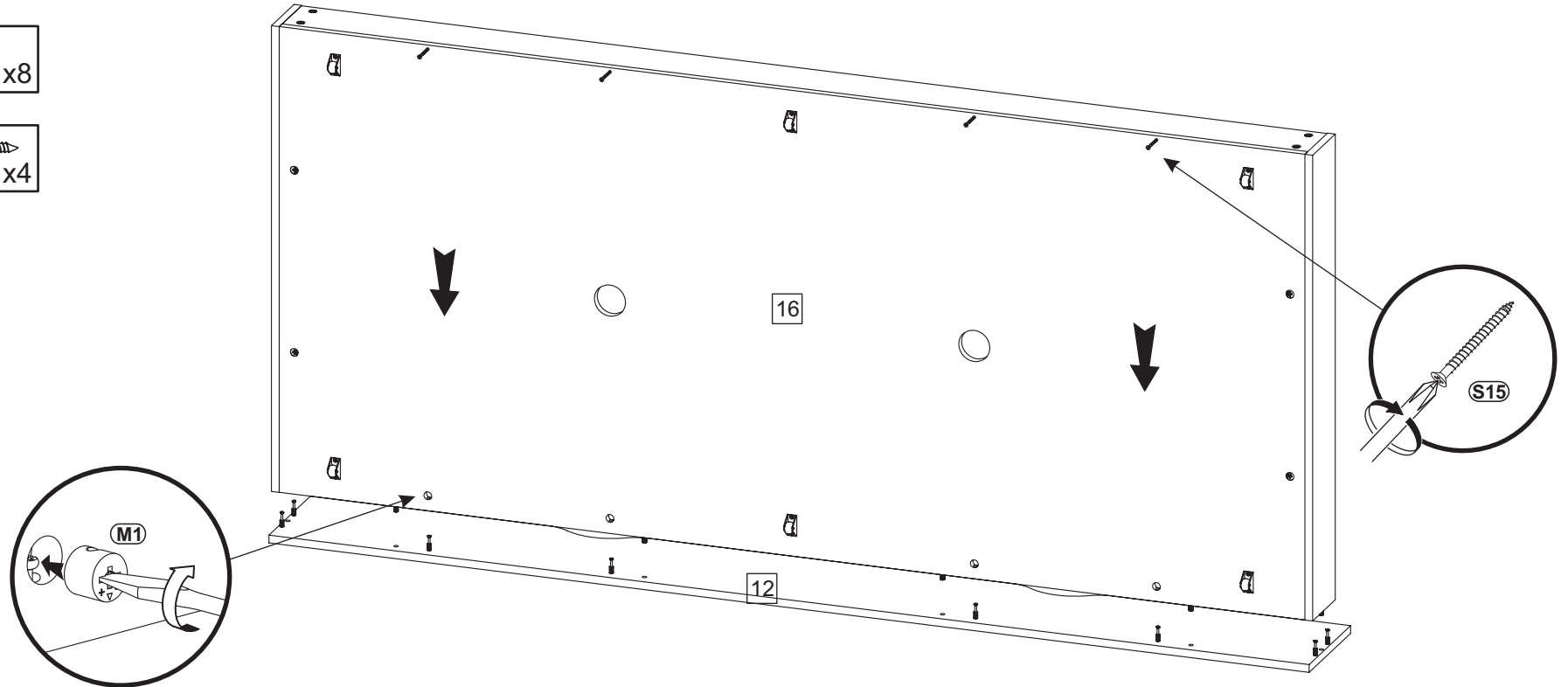
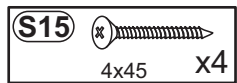
S3  3,5x13 x12



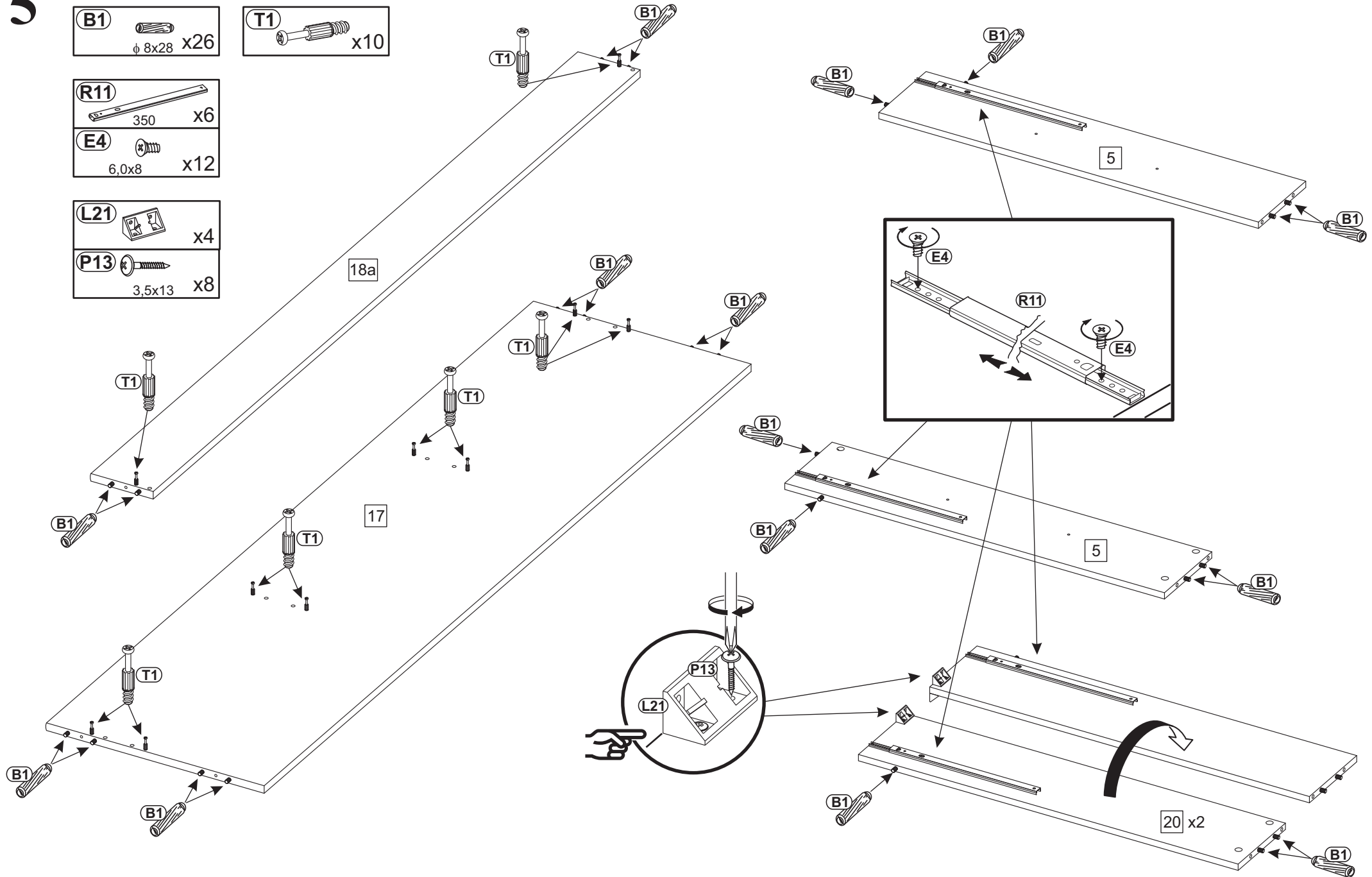
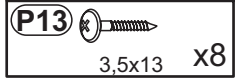
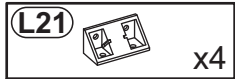
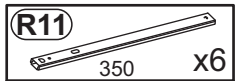
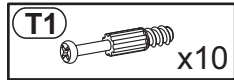
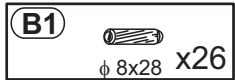
3



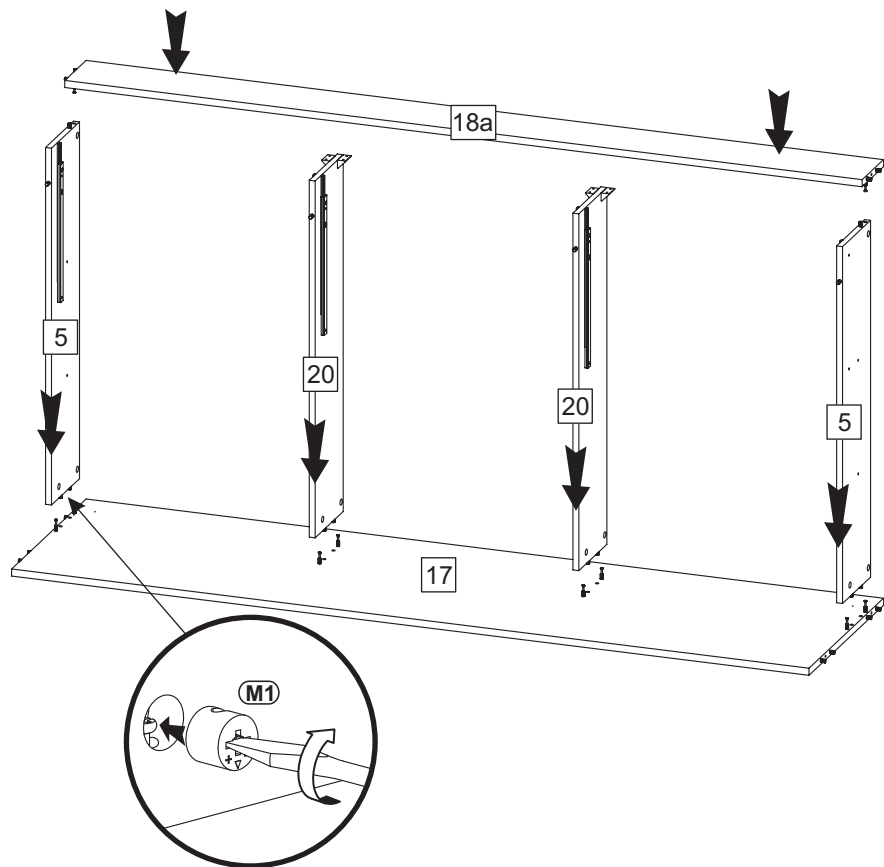
4



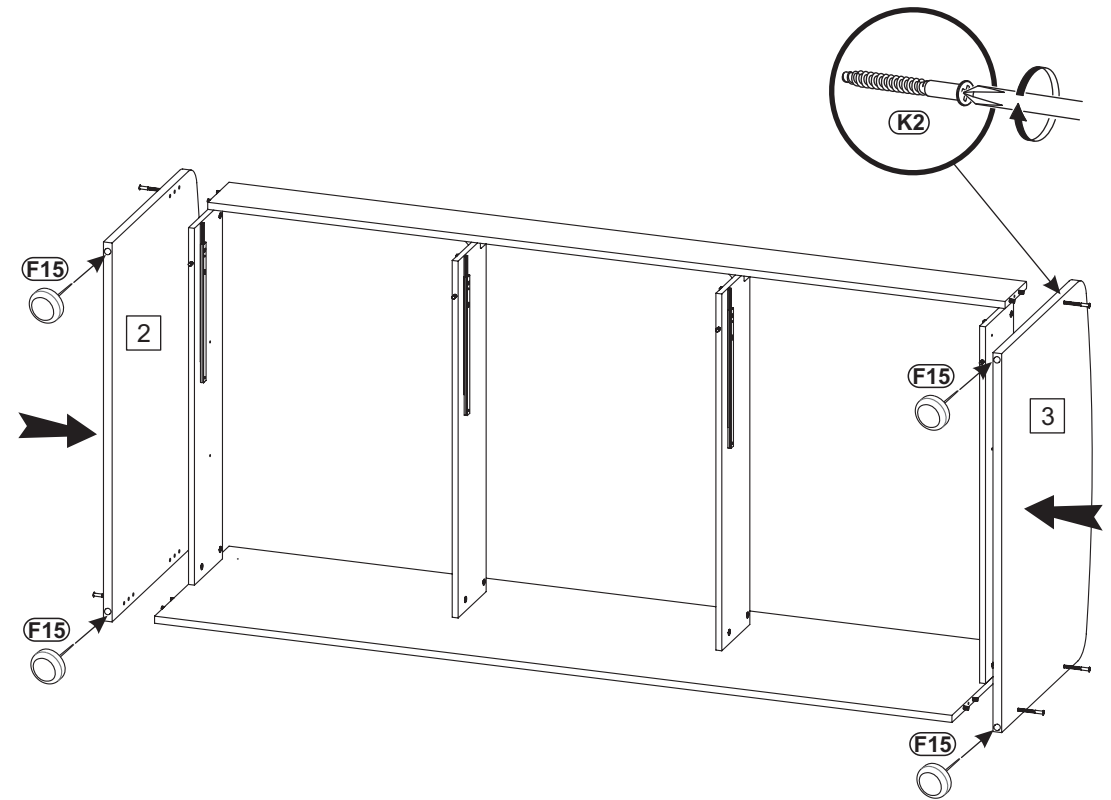
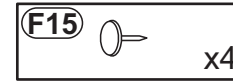
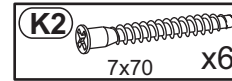
5



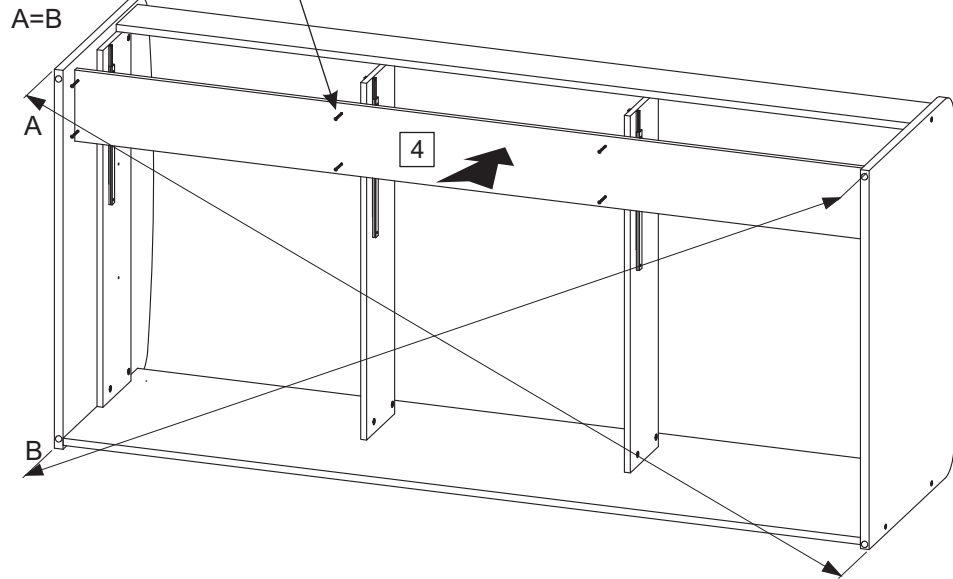
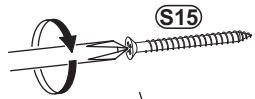
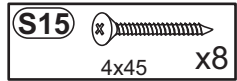
6



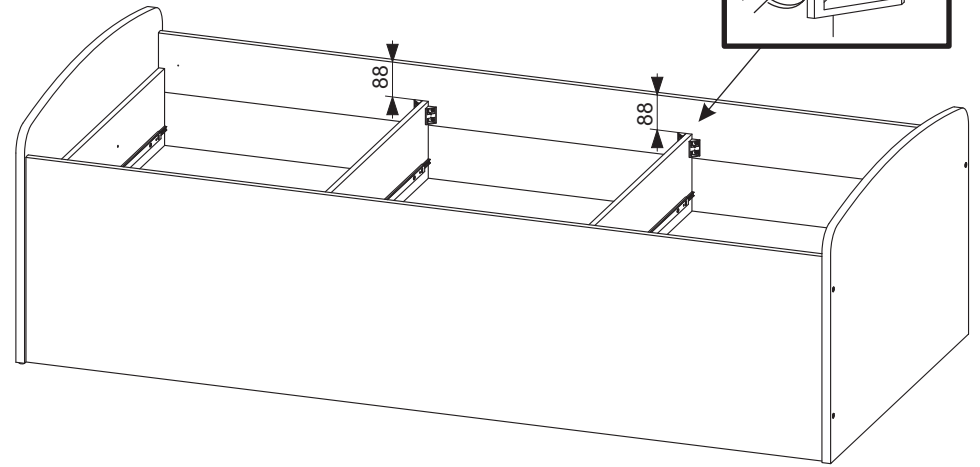
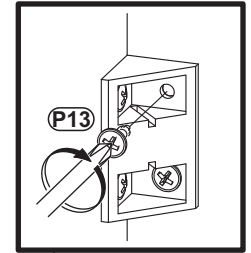
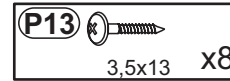
7



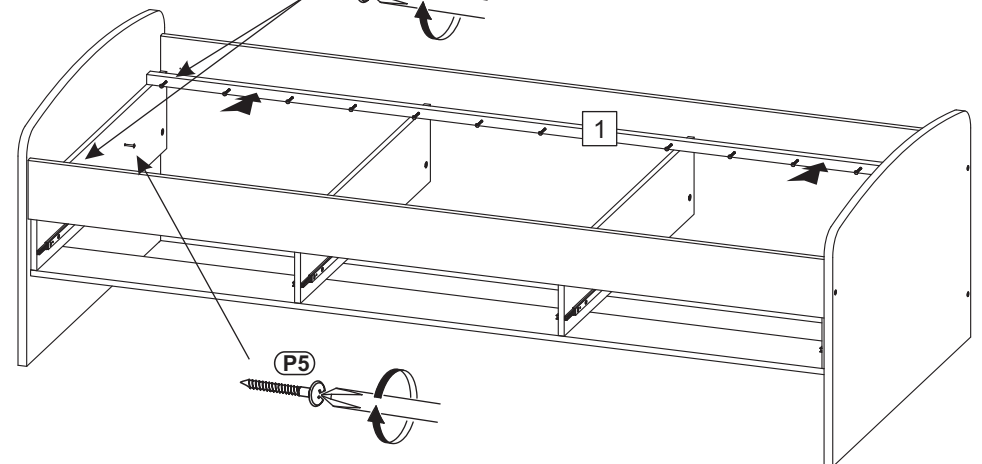
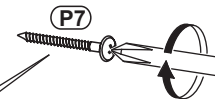
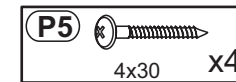
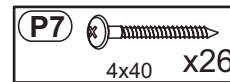
8



9



10



11

