

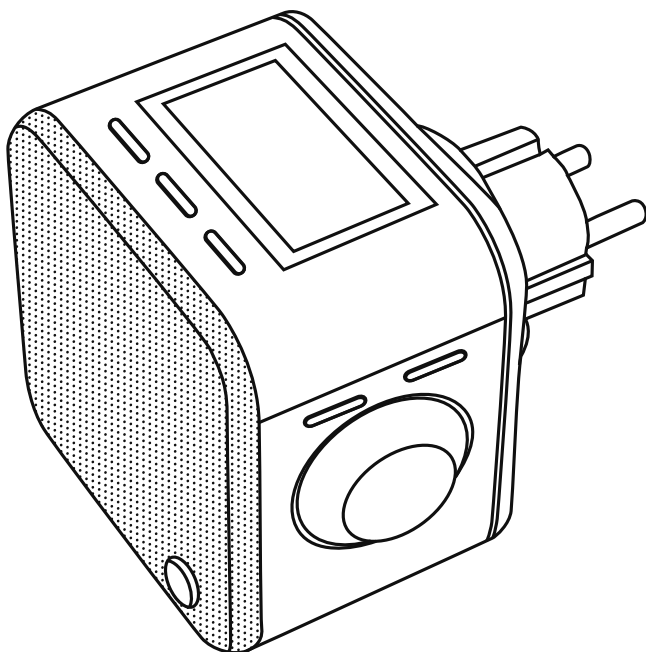
00054871
(DR40BT)

hama®

THE SMART SOLUTION

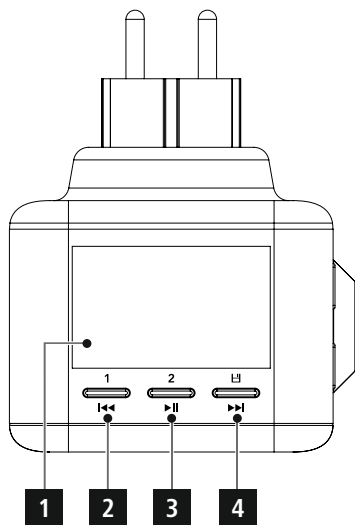
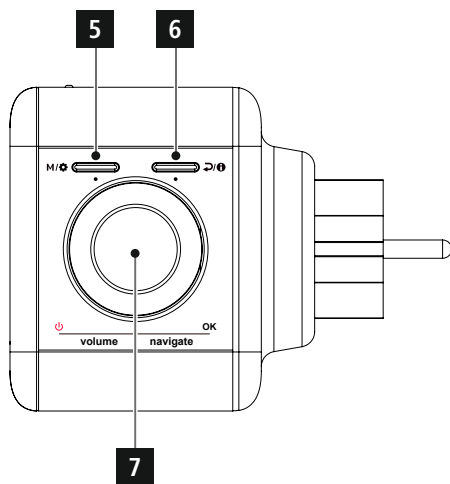
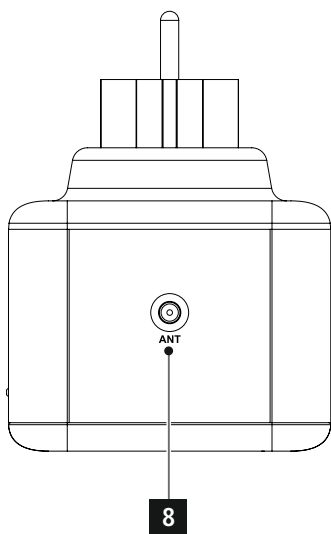
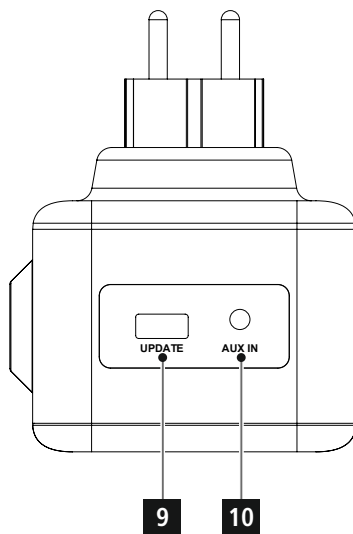
Digital Radio

Digital Radio



Operating Instructions / Bedienungsanleitung / Mode d'emploi / Instrucciones de uso /
Руководство по эксплуатации / Istruzioni per l'uso / Gebruiksaanwijzing / Οδηγίες χρήσης / Instrukcja obsługi /
Használati útmutató / Návod k použití / Návod na použitie / Manual de instruções / Kullanma kılavuzu /
Manual de utilizare / Bruksanvisning / Käyttöohje / Работна инструкция / Betjeningsvejledning / Manuelt stasjonssøk

Technical Data					
Digital Radio	DAB ✓	DAB+ ✓	FM ✓	Internet -	Spotify -
- Bluetooth	Bluetooth® 4.1				
Display	2" (5 cm) Liquid Crystal Display (LCD)				
BT - Profiles	A2DPv1.2, AVRCPv1.0				
Power input	100-240 V ~ 50/60 Hz				
Power consumption	Operation	max. 5 W	Standby	< 0.6 W	
Frequency range	DAB/DAB+ 174 – 240 MHz		FM 87.5 – 108 MHz		
Connections	Antenna, Aux-In, Update Port				
Presets	DAB/DAB+: 30	FM: 30			
UI Languages	English, German, Danish, Dutch, Finnish, French, Italian, Norwegian, Polish, Portuguese, Spanish, Swedish, Turkish				
Package contents	Digital Radio "DR40BT", 3.5mm jack cable, wire antenna, short manual				
Dimensions (WxHxD)	9 x 8.5 x 11 cm				
Weight	280 g				

A**B****C****D**

Controls and Displays (Pic.1)

A	
1	Display
2	Preset 1 / Rewind
3	Preset 2 Play/Pause
4	Preset / Forward

B	
5	[Mode/Settings]
6	[Back/Info]
7	[NAVIGATE/ENTER/VOLUME]

C	
8	Antenna

D	
9	Update port
10	Aux-In

1. Explanation of warning symbols and notes	3
2. Explanation of symbols used on the product label	3
3. Package contents	3
4. Safety instructions	3
5. General notes on use	3
5.1 Switch On / Off / Standby	3
5.2 Navigation and control	4
5.3 Volume adjustment	4
5.4 Entering passwords, search terms, and so on.	4
5.5 Additional information	4
6. Getting started	4
6.1 Radio – Connecting and starting up	4
6.2 Language	5
7. Modes	5
8. Analogue radio (FM/UHF)	5
8.1 Manual station setting	5
8.2 Automatic station setting	6
8.3 Scan setting	6
8.4 Presets	6
8.4.1 Save presets	6
8.4.2 Retrieving presets	6
9. Bluetooth	7
9.1 Bluetooth pairing	7
9.2 Automatic Bluetooth connection	7
10. Auxiliary Input	8
11. Digital radio (DAB/DAB+)	8
11.1 Search / Automatic search	8
11.2 Station list	8
11.3 Edit station list.	8
11.4 Presets	9
11.4.1 Save presets	9
11.4.2 Retrieving presets	9
11.5 DRC (Dynamic Range Control)	9
12. Sleep	10
13. Alarm	10
13.1 Settings	10
13.2 Activating / deactivating the alarm	11
13.3 Stopping the alarm / Snooze function	11
14. Other system settings	11
14.1 Equaliser	11
14.2 Time settings	11
15.5 Factory reset	12
14.3 Software update	12
14.4 Information	12
14.5 Backlight	13
15. Care and Maintenance	13
16. Warranty Disclaimer	13
17. Service and Support	13
18. Recycling Information	13
19. Declaration of Conformity	13

Thank you for choosing a Hama product. Take your time and read the following instructions and information completely. Please keep these instructions in a safe place for future reference. If you sell the device, please pass these operating instructions on to the new owner.

1. Explanation of warning symbols and notes



Risk of electric shock

This symbol indicates a risk of electric shock from touching product parts carrying hazardous voltage.



Warning

This symbol is used to indicate safety instructions or to draw your attention to specific hazards and risks.



Note

This symbol is used to indicate additional information or important notes.

2. Explanation of symbols used on the product label



Electrical device of safety class II.

Protection against electric shock thanks to reinforced or double insulation of live parts.



The product must only be used with alternating current.

3. Package contents

- DR40BT digital radio
- Dipole antenna
- 3.5 mm audio cable
- Quick Guide

4. Safety instructions

- The product is intended for private, non-commercial use only.
- The product is intended only for use inside buildings.
- Protect the product from dirt, moisture and overheating and use it in dry rooms only.
- As with all electrical products, this device should be kept out of the reach of children.
- Children must not play with the device. Cleaning and user maintenance must not be carried out by children without supervision.
- Do not drop the product and do not expose it to any major shocks.
- Do not operate the product outside the power limits specified in the technical data.

- Keep the packaging material out of the reach of children due to the risk of suffocation.
- Dispose of packaging material immediately in accordance with the locally applicable regulations.
- Do not modify the device in any way. Doing so voids the warranty.
- Do not place any objects on the device and never use it as a resting surface.



Risk of electric shock

- Do not open the device or continue to operate it if it becomes damaged.
- Do not use the product if the AC adapter, the adapter cable or the mains cable are damaged.
- Do not attempt to service or repair the product yourself. Leave any and all service work to qualified experts.

5. General notes on use



Operating instructions

- If a choice from various buttons is to be made (such as **Yes** or **No**), the button currently selected is indicated with < >.
- In menus offering a variety of different options (such as **DRC**, **Language** and so on), the currently selected option is marked with *.

5.1 Switch On / Off / Standby

- Press **[NAVIGATE/ENTER/VOLUME]** to switch the radio on.
- Press and hold **[NAVIGATE/ENTER/VOLUME]** for 3 seconds to switch the radio off (standby).



Note

To switch the radio off completely, disconnect it from the power supply.



5.2 Navigation and control

Buttons 5 – 6 have a dual function assignment:

- Briefly press the button to select the function specified first on the button description.
- Press and hold the button for about 3 seconds to select the function specified last on the button description.

[**NAVIGATE/ENTER/VOLUME**] (7) has a dual function:

- Turning [**NAVIGATE/ENTER/VOLUME**] (7) in the menu allows you to select individual menu items.
- Confirm the selection by pressing [**NAVIGATE/ENTER/VOLUME**] (7).

Press [**Back/Info**] (6) to return to the previous menu level.

After pressing a shortcut button, navigate amongst the menu items using [**VOLUME/ENTER/NAVIGATE**].

5.3 Volume adjustment

Turning [**NAVIGATE/ENTER/VOLUME**] (7) increases / reduces the volume.

5.4 Entering passwords, search terms, and so on.

- Select each successive letter and digit by turning [**VOLUME/ENTER/NAVIGATE**] and confirm each selection by pressing [**VOLUME/ENTER/NAVIGATE**].
- To make corrections, select the **BKSP** button and confirm. The last input made is deleted.
- To cancel input, select the **CANC** button and confirm.
- Once your input is complete and you are ready to finish, press the **OK** button.

5.5 Additional information

By pressing and holding [**BACK/INFO**] for 3 seconds, additional information is displayed depending on the operating mode and the stations available.

- **Description**
Indicates the radio station, the current programme, contents, subjects, etc.
- **Programme genre/country**
Indicates the genre (music style) and the country or region of the station.
- **Reliability**
- **Bit rate**
The currently received digital bit rate of the received station is displayed.
- **Today's date**
- **Artist**
- **Album**

6. Getting started

Note – Optimising reception

- For best reception, ensure that the antenna is fully rolled out.
- Try various different positions if necessary to get the best reception.

6.1 Radio – Connecting and starting up

Connect the device to a properly installed socket.

The integrated power supply unit is suitable for mains voltages between 100 and 240 V, and is thus operable on almost any AC power grid. Please note that a country-specific adapter may be necessary.

You can find an appropriate selection of Hama products at www.hama.com.

Warning

- Only operate the product from a socket that has been approved for the device. The socket must be installed close to the product and must be easily accessible.
- Disconnect the product from the power supply using the On/Off switch – if this is not available, unplug the power cord from the socket.
- If using a multi-socket power strip, make sure that the total power consumption of all connected devices does not exceed the power strip's maximum throughput rating.
- If you will not be using the product for a prolonged period, disconnect it from mains power.

When you switch the radio on for the first time, the **station search** is started automatically in DAB operating mode. English is the default language for the radio's menu structure.

Set up your desired language as described in **6.2 Language**.



6.2 Language

The first time it is used, the radio's default language is English. Proceed as follows to adjust the language:

- Press and hold **[Mode/Settings]** (5) for around 3 seconds to access the Settings menu.
- Turn **[VOLUME/ENTER/NAVIGATE]** to navigate to the "System" menu item.
- Confirm the selection by pressing **[VOLUME/ENTER/NAVIGATE]**.
- Turning **[VOLUME/ENTER/NAVIGATE]** takes you to the "Language" entry. Confirm the selection by pressing **[VOLUME/ENTER/NAVIGATE]**.
- Select your preferred system language by turning **[VOLUME/ENTER/NAVIGATE]**.
- Confirm this by pressing **[VOLUME/ENTER/NAVIGATE]**.

Note

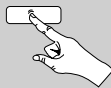
- The following languages are available:
English, German, Danish, Dutch, Finnish, French, Italian, Norwegian, Polish, Portuguese, Spanish, Swedish, Turkish

7. Modes

The menu contains the various operating modes and other direct access options that are explained separately in the following chapters:

8. FM
9. Bluetooth
10. Auxiliary Input
11. DAB/DAB+
12. Sleep
13. Alarm

The individual operating modes can also be selected by repeatedly pressing **[M]/[⚙️]**.



8. Analogue radio (FM/UHF)

8.1 Manual station setting

When you make station settings manually, you can define the desired frequency yourself and tune into stations that were ignored during automatic station search because their signals were too weak.

- In FM mode, repeatedly press **[↔️]/[i]** to switch between the volume control and the station setting.
- Select the "Set station" menu item and confirm the selection with **[VOLUME/ENTER/NAVIGATE]**.
- Turn **[VOLUME/ENTER/NAVIGATE]** (left: - 0.05 MHz / right: + 0.05 MHz) until the desired frequency is displayed. Wait a moment until playback of the received station signal begins.

Note

After a few seconds, the radio automatically returns to volume control. If you do not make any changes to the frequency setting, you may need to use the **[↔️]/[i]** button again to access the station settings.



8.2 Automatic station setting

The radio can search for stations automatically. The analogue radio receiver's entire frequency range is searched. The radio stops the search and starts playback when it finds a station.

- In FM mode, repeatedly press **[↔/ⓘ]** to switch between the volume control and the station setting.
- Select the "Set station" menu item and confirm the selection with **[VOLUME/ENTER/NAVIGATE]**.
- Turn **[VOLUME/ENTER/NAVIGATE]** (left: - 0.05 MHz / right: + 0.05 MHz), to enter the required direction of the scan and then press **[VOLUME/ENTER/NAVIGATE]** to start the automatic station search.

8.3 Scan setting

The scan setting allows you to define whether stations with a weak signal strength are to be included during the automatic search.

Proceed as follows:

- Press and hold **[M]/[⊗]** to access the "Search settings" menu item.
- Confirm your selection with **[VOLUME/ENTER/NAVIGATE]**.
- Select "Strong stations only" in order to only stop during the automatic search on stations with a strong signal. Otherwise, the search run will stop at every station for which a signal is received.

Note

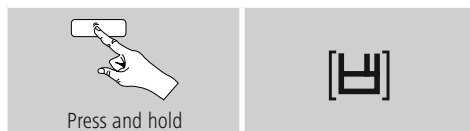
By default, the "Strong stations only" method is selected.

8.4 Presets

You can save up to 30 of your favourite stations for quick and direct access.

8.4.1 Save presets

- Set the station that you would like to save as a station preset.
- If the station is received, press and hold **[Preset]** on front of the radio.

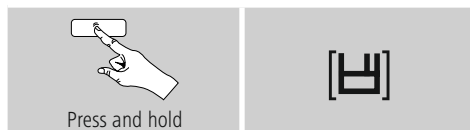


An overview window with the station presets should open after approx. 2 seconds.

- You can switch between the station presets (1 to 30) by turning **[VOLUME/ENTER/NAVIGATE]**.
- Press **[VOLUME/ENTER/NAVIGATE]** to save the station to the desired station preset.

8.4.2 Retrieving presets

Press **[Preset]** to open the overview window with the list of station presets.



Use **[VOLUME/ENTER/NAVIGATE]** to select one of the presets.

Note

- Favourites cannot be deleted.
- If all 30 station memory slots are filled and you wish to save a new station, choose one of the occupied slots. The station in this slot will be overwritten with the new station.

9. Bluetooth

You can pair your terminal device with the radio using Bluetooth and use it as a playback device. You can control Bluetooth directly on the terminal device. You can adjust the volume on the radio, as well.

Note – Bluetooth

- Check whether your mobile device (smartphone, tablet PC. etc.) is Bluetooth-capable.
- Note that the maximum range for Bluetooth is 10 metres without obstacles such as walls, people, etc.
- The Bluetooth connection may be disrupted by other Bluetooth devices/connections in the vicinity.
- It is only possible to connect the radio to one terminal device.
- Note that compatibility depends on the supported Bluetooth profiles as well as the Bluetooth versions being used. (See: Technical data in the operating instructions for the respective device)

After pressing **[M]/[⚙️]** repeatedly, activate Bluetooth operating mode on the radio:



9.1. Bluetooth pairing

- Ensure your Bluetooth-enabled device is switched on and that Bluetooth is activated.
- Open the Bluetooth settings on your device and wait until the list of found Bluetooth devices shows **DR40BT**.
- If necessary, start searching for Bluetooth devices on your device.
- Select **DR40BT** and wait until radio is listed as connected in the Bluetooth settings of your device.
- Your device is also shown as connected on the radio display.
- Start and control audio playback using the controls on your device.

Note – Bluetooth password

Some terminal devices require a password in order to connect to another Bluetooth device.

- If your device requests a password to connect to the radio, enter **0000**.

9.2 Automatic Bluetooth connection (once pairing has been performed)

- Devices already paired with the radio are automatically saved on the radio.
- If you are pairing the terminal device with the radio for the first time, proceed as described in **9.1 Bluetooth pairing**.
- Ensure your Bluetooth-enabled device is switched on and that Bluetooth is activated.
- The connection will be established automatically.
- If necessary, open the Bluetooth settings on your terminal device and select **DR40BT**.
- Start and control audio playback using the controls on your device.

Note - Connection impaired

After the radio and terminal device have been paired, a connection is established automatically. If the Bluetooth connection is not established automatically, check the following:

- In your device's Bluetooth settings, check that **DR40BT** is connected. If not, repeat the steps listed under Bluetooth pairing.
- Check that your device and the radio are less than 10 metres apart. If not, move them closer together.
- Check whether obstacles are impairing the range. If so, move the devices closer together.



10. Auxiliary Input

Via the analogue audio input (**AUX IN** socket) you can connect mobile devices (for example smartphone, tablet PC, M3 player etc.) to the radio and play the audio files using the radio's speakers.

- After pressing **[M]/[⚙️]** repeatedly, activate **Auxiliary Input (Aux In)** operating mode.
- Connect your mobile terminal device and the audio input (**AUX IN** socket) on the radio using a 3.5 mm audio cable.
- Start and control audio playback accordingly via the connected device.

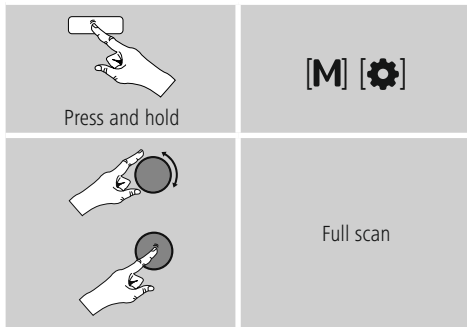
11. Digital radio (DAB/DAB+)

The radio receives all established digital radio frequencies in the range of 174 MHz to 240 MHz (band III, channel 5A to 13F).

- Press **[M]/[⚙️]** repeatedly to activate **DAB** operating mode.

11.1 Search / Automatic search

The automatic DAB channel search scans the DAB band III for available stations. After the station search, all interference-free stations are saved in alphabetical order. The automatic DAB station search starts automatically when DAB mode is started for the first time; it is indicated by Scanning... and a status bar on the display. If you would like to start the search again, proceed as follows:



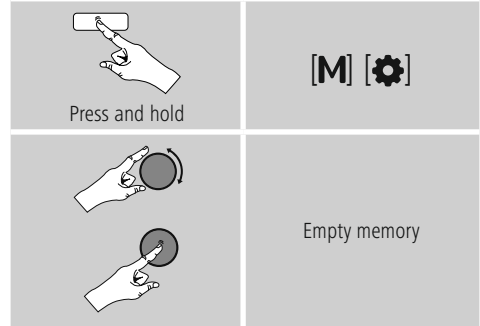
11.2 Station list

You can call up the station list in DAB mode at any time.

- In DAB mode, press **[↶] [i]** to switch between the volume control and station setting.

11.3 Edit station list

To remove stations that are not currently in the reception area from your station list, proceed as follows:



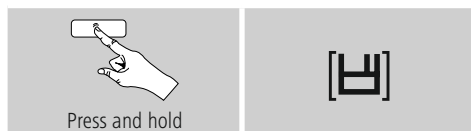
If you answer Yes, then all currently unavailable stations will be removed from the station list.

11.4 Presets

You can save up to 30 of your favourite stations for quick and direct access.

11.4.1 Save presets

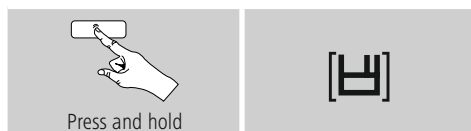
- Set the station that you would like to save as a station preset.
- If the station is received, press and hold **[Preset]** on front of the radio.



- An overview window with the station presets should open after approx. 2 seconds.
- You can switch between the station presets (1 to 30) with **[VOLUME/ENTER/NAVIGATE]**.
- Press **[VOLUME/ENTER/NAVIGATE]** to save the station to the desired station preset.

11.4.2 Retrieving presets

Press **[Preset]** to open the overview window with the list of station presets.



Use **[VOLUME/ENTER/NAVIGATE]** to select one of the presets.

Note

- Favourites cannot be deleted.
- If all 30 station memory slots are filled and you wish to save a new station, choose one of the occupied slots. The station in this slot will be overwritten with the new station.

11.5 DRC (Dynamic Range Control)

Some DAB network radio stations support a volume control feature that actively takes effect during playback. If the volume suddenly increases, DRC automatically lowers it. If the volume suddenly becomes quieter, DRC automatically raises it. The same happens when playback is suddenly quiet. The radio then increases the volume again.

DRC high:

total equalisation of different volumes. Strong compression can audibly reduce the dynamics of a music title.

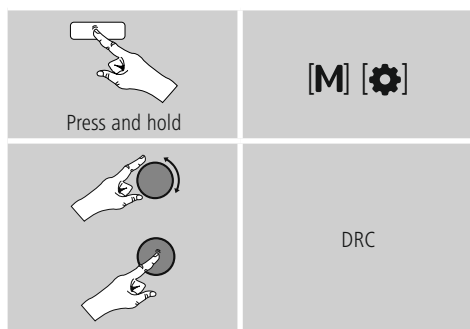
DRC low:

partial equalisation of different volumes. More subtle compression, without too much loss of dynamics.

DRC off:

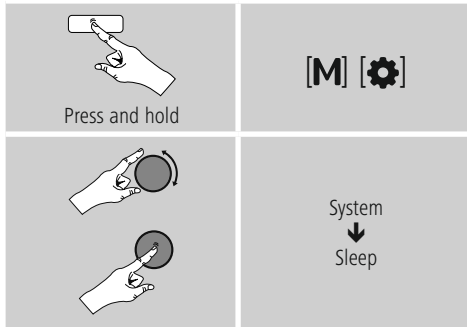
no equalisation.

Proceed as follows to do the settings:



12. Sleep

The radio has a timer function, which switches the radio to standby mode after a pre-defined length of time.



- After the defined time the radio switches to standby mode.
- Press [VOLUME/ENTER/NAVIGATE] to switch the radio back on.

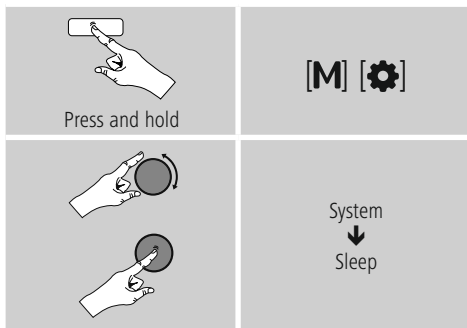
Note

During the active timer function (sleep), the backlight can be set separately - e.g. darker than in normal mode (see **14.5 Backlight**)

13. Alarm

The radio has two individually adjustable alarm times.

13.1 Settings



- Alarm 1 and alarm 2 are configured identically and allow two separate alarm times to be saved. Select alarm 1 or 2 and then make the following settings by means of [VOLUME/ENTER/NAVIGATE]:

Mode:

Choose when the alarm is to activate:

→ Off – Daily – Once – Weekdays – Weekends

Date and time:

If you selected **Once**, enter the date and time for the one-off alarm.

Time:

First choose the hour, then the minute at which the alarm is to activate.

Mode:

Set whether you wish to be woken by an alarm tone (**buzz**) or **DAB**.

Programme:

If you selected **DAB**, choose which station or podcast you wish to be woken with. You can choose any of the 30 preset slots or the **Last listened**.

Volume:

You can set the volume at which the alarm sound should be played. This setting makes it irrelevant how loud you last listened to the radio.

Saving:

Confirm this button to complete your alarm settings.

Note

- It is recommended to allow the radio to update the time automatically. This ensures that the time is always correct even if there is a separation of power supply – for example a power cut.



13.2 Activating / deactivating the alarm

- Confirm the menu item **Save** in alarm settings to activate the alarm.
- Disable the alarm by setting the **Mode** to: **Off**.

13.3 Stopping the alarm / Snooze function

- When the alarm activates, press **[M]/[⚙️]** to stop it.
- The alarm turns off for the selected time interval (5/10/15/30/60 minutes) before activating once again.
- If the alarm is not stopped, the radio automatically switches into standby mode after one hour.
- Hold the **[VOLUME/ENTER/NAVIGATE]** down to finally stop the alarm.

14. Other system settings

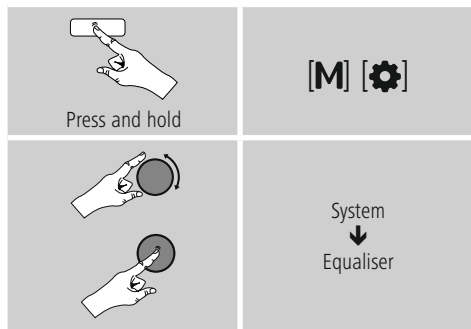
You can modify all settings and access important information about the radio in the System settings.

14.1 Equaliser

The equaliser allows you to adjust the sound of the radio to suit your preferences by amplifying or reducing the amount of bass or treble in the audio .

You can choose from preconfigured profiles, adjusted to suit a variety of music genres, or create your own custom profile.

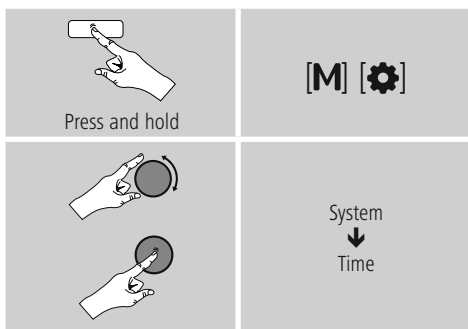
- To set the equaliser, proceed as follows:



- Use **[VOLUME/ENTER/NAVIGATE]** to select one of the pre-configured profiles.
- To create your own equaliser profile, choose the **My EQ setting** option.
- This takes you to the **bass, treble** and **loudness** settings (volume amplification).
- To adjust a particular value, press **[VOLUME/ENTER/NAVIGATE]** on the corresponding selection and change the values by turning **[VOLUME/ENTER/NAVIGATE]** to the left or right. If playback is already started when you modify these settings, you can hear the changes in the audio immediately.
- Confirm the selection by pressing **[VOLUME/ENTER/NAVIGATE]** again.
- Once you have made all your settings, press **[BACK/INFO]** on the radio and confirm that the settings are to be stored by pressing **[VOLUME/ENTER/NAVIGATE]**.
- To use the new profile, choose the **My EQ** option.

14.2 Time settings

To access the time settings, proceed as follows:



Automatic update

If automatic time and date adjustment is activated, the device receives time and date information from the station over the FM/DAB/DAB+ radio network. This is the best way to ensure that the clock will run accurately and the alarm will trigger at the correct time, even after power outages.

- By turning **[VOLUME/ENTER/NAVIGATE]**, select "Yes" or "No" in order to enable or disable automatic updates.
- Confirm your selection by pressing **[VOLUME/ENTER/NAVIGATE]**.
- You are now returned to the time settings.



Setting the time format

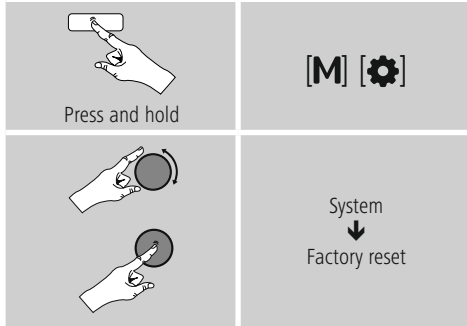
Choose between the 12 and 24-hour format.

Setting the date format

Choose between the DD-MM-YYYY and MM-DD-YYYY date format.

14.3 Factory reset

To reset the radio to the factory default settings, proceed as follows:



- Confirm the following prompt with **YES** to reset the radio to the factory default settings. All settings made previously are deleted.

Note

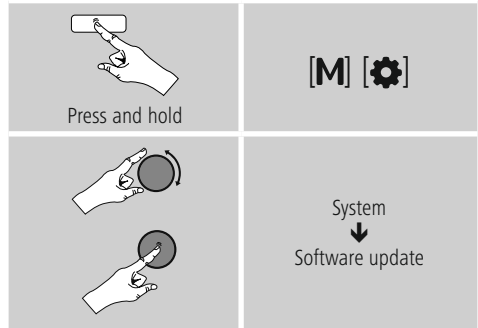
- Resetting to the factory default settings can remedy some problems and malfunctions.
- However, all settings made previously, such as equaliser presets, station presets and network profiles, will be permanently deleted.

14.4 Software update

We are constantly developing new software features and improvements for our radios to fix problems, add functionality, etc.

We recommend that you keep your radio's software up to date.

- Proceed as follows:



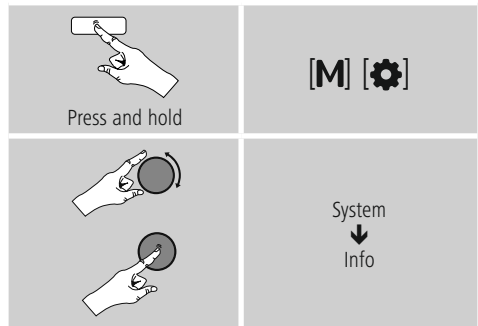
- Select **Automatic updates (YES)** to allow the radio to automatically check for new software updates on a regular basis. (Recommendation)
- Choose **Check now** to manually start a check for software updates.

Warning

- Make sure that the radio has a stable power supply before you start a software update.
- Power supply failure during a software update can cause irreparable damage to the radio.

14.5 Information

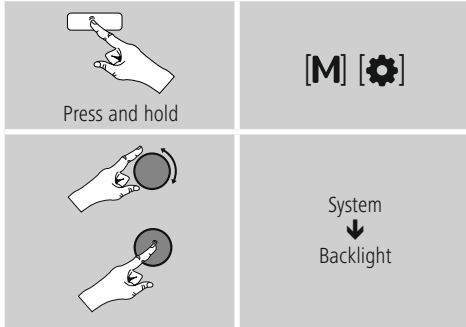
- To have the radio display current information about its hardware and software (version numbers, device designation, radio ID, etc.), proceed as follows:



14.6 Backlight

The backlight can be configured for each operating mode (Operation mode, Standby mode, Sleep mode) separately.

- Proceed as follows:



- For the **Operation** and **Sleep modes**, you can choose various brightness levels.
- For **Standby mode**, you can also choose a brightness level for the backlight in standby (**display lighting**). Alternatively, you can turn off the backlight completely in standby (**Display lighting → Off**).
- Choose a time interval under **Timeout (sec)**. When the radio is in standby, press any button to illuminate the display at the brightness level set for that operating mode for the selected interval of time.
- Alternatively, disable this feature (**Timeout (sec) → Off**).

15. Care and Maintenance

- Only clean this product with a slightly damp, lint-free cloth and do not use aggressive cleaning agents.
- If you do not plan to use the product for a prolonged period, turn off the device and disconnect it from the power supply. Store it in a clean, dry place away from direct sunlight.

16. Warranty Disclaimer

Hama GmbH & Co KG assumes no liability and provides no warranty for damage resulting from improper installation/mounting, improper use of the product or from failure to observe the operating instructions and/or safety notes.

17. Service and Support



Please contact Hama Product Consulting if you have any questions about this product.

Hotline: +49 9091 502-115 (German/English)


Further support information can be found here:
www.hama.com

18. Recycling Information

Note on environmental protection:

 After the implementation of the European Directives 2012/19/EU and 2006/66/EU in the national legal system, the following applies:
 electrical and electronic devices as well as batteries must not be disposed of with household waste. Consumers are obliged by law to return electrical and electronic devices as well as batteries to the designated public collection points or to the point of sale at the end of their service lives. Detailed information on this topic is defined in the national laws of the respective country. This presence of the above symbol on the product, operating instructions or package indicates that the product is subject to these regulations. By recycling, reusing the materials or other forms of utilising old devices/batteries, you are making an important contribution to protecting our environment.

19. Declaration of Conformity

 Hama GmbH & Co KG hereby declares that the radio equipment type [00054871] is in compliance with Directive 2014/53/EU. The full text of the EU declaration of conformity is available at the following internet address:
www.hama.com -> 00054871 -> Downloads.

Frequency band(s)	BT: 2.402 - 2.480 GHz
Maximum radio-frequency power transmitted	BT: 2.4 GHz / 4 dBm (EIRP)



hama®

Hama GmbH & Co KG
86652 Monheim/Germany
www.hama.com

The *Bluetooth*® word mark and logos are registered trademarks owned by Bluetooth SIG, Inc. and any use of such marks by Hama GmbH & Co KG is under license. Other trademarks and trade names are those of their respective owners.

The Spotify software is subject to third party licenses found here:
www.spotify.com/connect/third-party-licenses

All listed brands are trademarks of the corresponding companies. Errors and omissions excepted, and subject to technical changes. Our general terms of delivery and payment are applied.