





A × (1)



B × (1)



C × (4)

6*32

6*18

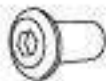
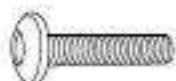
M6

6*18*1.2

M6

M5

25*5



D × 8

E × 4

F × 8

G × 12

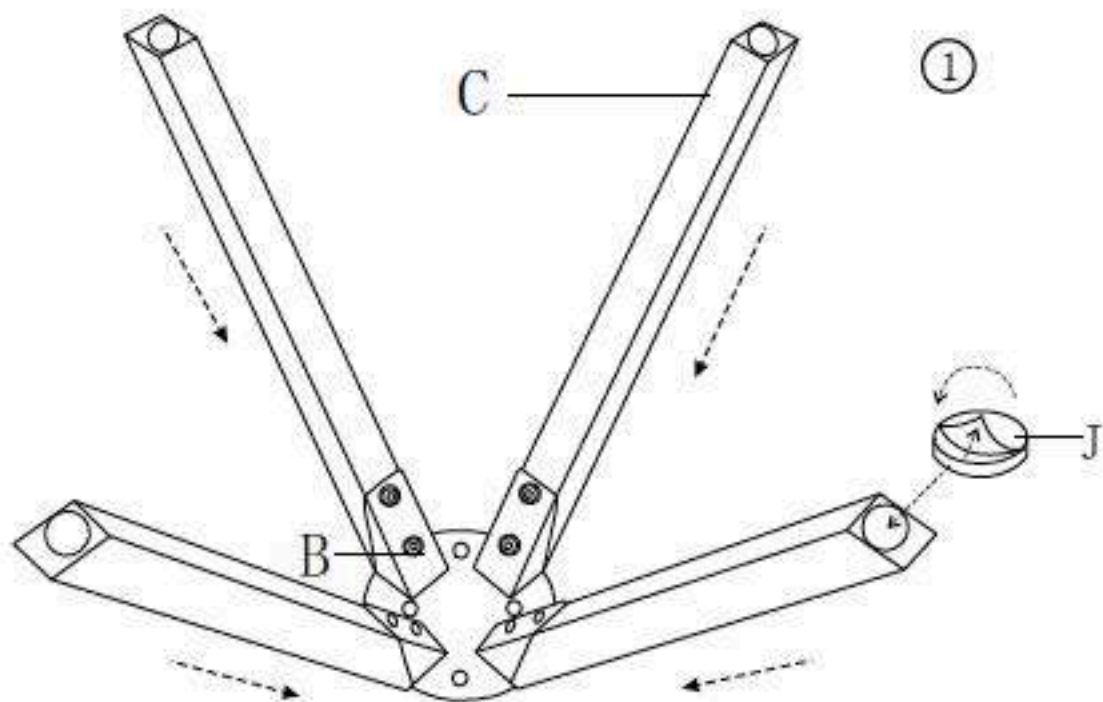
H × 1

I × 1

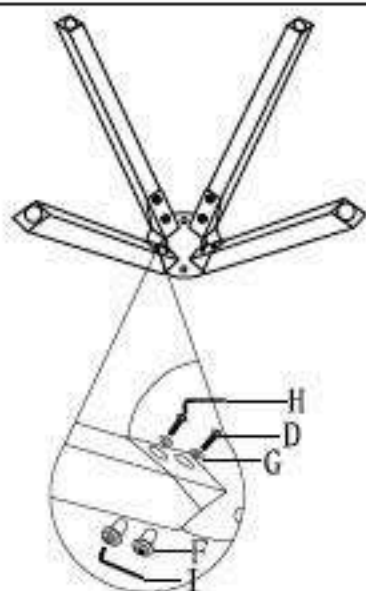
J × 4



J × 4

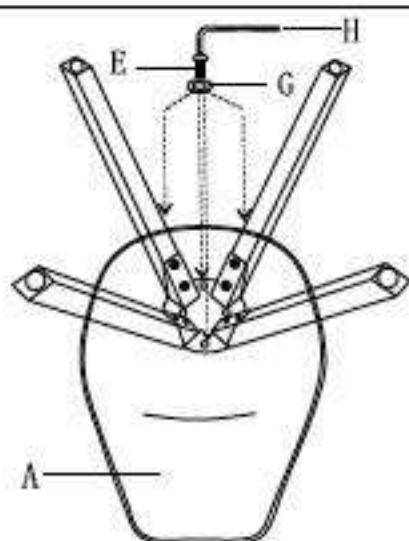


-  D×8PCS
-  F×8PCS
-  G×8PCS
-  H×1PCS
-  I×1PCS



2

-  E×4PCS
-  G×4PCS
-  H×1PCS



3



4