

VENTS LD Series



Axial decorative fans for exhaust ventilation with air capacity up to 310 m³/h

Application

- Continuous or periodic exhaust ventilation of bathroom, showers, kitchens and other utility spaces.
- Ventilation shaft mounting or duct connection.
- Low to medium air flow motion for short distances at low air resistance.
- Compatible with Ø 100, 125 and 150 mm air ducts.



LDA



LDA chrome



LDA gold



LD alulak



LD alumat

Design

- Modern design and aesthetic look.
- The casing and the impeller are made of high-quality durable ABS plastic, UV resistant.
- Various decorative plates for the front panel of the natural aluminum.
- The intellectual impeller design makes the fan efficiency high and the service life long.
- Protection rating IP34.

Motor

- Reliable and low-watt electric motor.
- Designed for continuous operation and requires no maintenance.
- Equipped with overheating protection.

Modifications and Options

LDA – the fan with a ground aluminium front panel.

LDA gold – the fan with a gold-tinted aluminium front panel.

LDA chrome – the fan with a mirror finish aluminium front panel.

LD alumat – the fan with a front panel painted silver (matt).

LD alulak – the fan with a front panel painted silver (gloss).

LD1 – shortened branch pipe model.



LD K – fan is equipped with a backdraft damper for back flow preventing.



LD L – the motor is equipped with ball bearings for long service life (appr. 40 thousand hours) and fan mounting at any angle. The bearings are maintenance-free and contain enough grease for the entire operating period.



LD turbo – high-powered motor.



LD 12 – modification with low-voltage motor. 12 V AC power supply.



LDT – equipped with a regulated timer with the operating time from 2 to 30 minutes.



LDTH – equipped with a timer with the operating time from 2 to 30 minutes and a humidity sensor with the threshold value from 60 to 90 %.



LDV – equipped with a pull cord switch.



LDVT – equipped with a pull cord switch and a regulated timer with the operating time adjustable from 2 to 30 minutes.



LDVTH – equipped with a pull cord switch, regulated timer with the operating time adjustable from 2 to 30 minutes and a humidity sensor with the operating threshold range from 60 to 90 %.

Control

Manual:

- The fan is controlled by a room light switch. It is not included in the delivery set.
- The fan is controlled by the built-in pull cord switch **V**. Not applied in case of ceiling mounting.
- Speed control is possible through a thyristor speed controller (see Electrical Accessories). Several fans may be connected to the same controller. Speed controllers can not be connected to the fans with T, TH, TP, VT, VTH modifications.

Automatic:

- By the **BU-1-60** electronic control unit (see Electrical Accessories). The control unit is supplied separately.
- By the **T** timer (the built-in turn-off delay timer enables the fan operation within 2 to 30 minutes after the fan switching off).
- By the humidity sensor and the **TH** timer (if the humidity level in the room exceeds the sensor threshold adjustable value within 60-90 % the fan switches automatically on and operates until the humidity level drops to the standard level, after that the fan continues operating within the time period according to the timer setting, then shuts down).

Mounting features

- The fan is mounted directly into the ventilation shaft.
- In case of remote location of the ventilation shaft flexible air ducts may be used. The air duct is connected to the fan exhaust flange through a clamp.
- Fixed to the wall by means of screws.
- Suitable for ceiling mounting.
- To connect a fan with a 12 V low voltage motor to 220 V/50 Hz power mains, it is necessary to purchase a step-down transformer (e.g. the TRF 220/12-25 transformer).

Accessories

Air ducts



Grilles and hoods



Backdraft damper



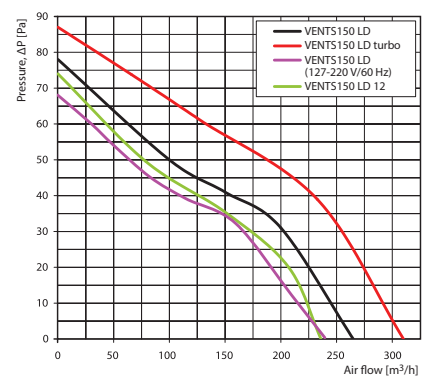
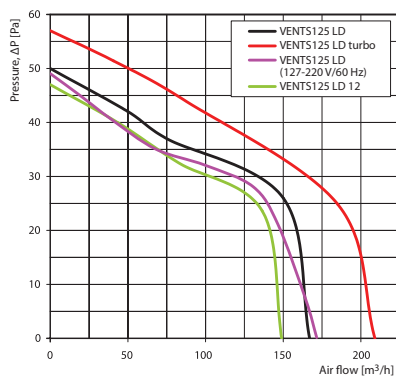
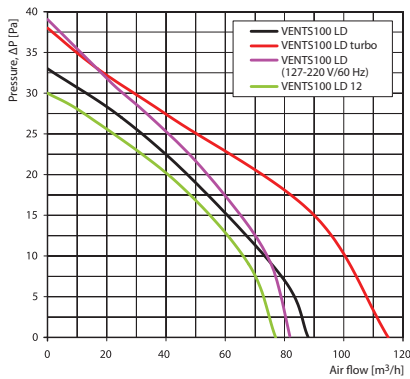
Speed controllers



Clamps



Aerodynamic characteristics



Technical data

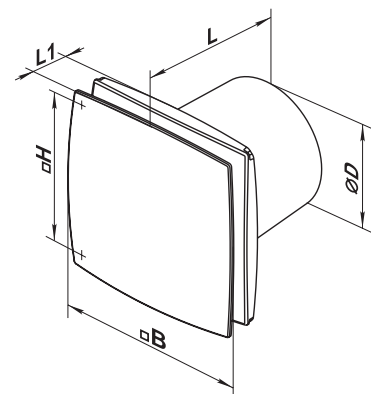
Model	Frequency [Hz]	Voltage [V]	Power Consumption [W]	Current [A]	R.p.m.	Maximum air flow [m³/h]	Sound Pressure Level at 3 m [dBA]	Weight [kg]
VENTS 100 LD	50/60	220-240	14	0.085	2300	88	33	0.60
VENTS 100 LD turbo	50/60	220-240	16	0.1	2300	115	36	0.68
VENTS 100 LD (127-220 V/60 Hz)	60	127	10	0.115	2500	82	33	0.60
		220	9	0.054				
VENTS 100 LD 12	50/60	12	14	1.5	2200	77	32	0.59
VENTS 125 LD	50/60	220-240	16	0.1	2400	167	34	0.74
VENTS 125 LD turbo	50/60	220-240	24	0.105	2400	209	36	0.84
VENTS 125 LD (127-220 V/60 Hz)	60	127	16	0.119	2400	172	35	0.74
		220	15	0.102				
VENTS 125 LD 12	50/60	12	16	1.7	2300	149	33	0.72
VENTS 150 LD	50	220-240	24	0.13	2400	265	37	0.96
VENTS 150 LD (220-240 V/60 Hz)	60							
VENTS 150 LD turbo	50	220-240	29	0.13	2400	310	39	1.10
VENTS 150 LD turbo (220-240 V/60 Hz)	60							
VENTS 150 LD (127-220 V/60 Hz)	60	127	25	0.175	2350	240	37	0.96
		220	25	0.388				
VENTS 150 LD 12	50	12	29	2	2300	236	36	0.92

Mounting example



Overall dimensions

Model	Dimensions [mm]				
	Ø D	B	H	L	L1
VENTS 100 LD	100	152	120	126	30
VENTS 100 LD1	100	152	120	111	30
VENTS 125 LD	125	177	140	135	34
VENTS 125 LD1	125	177	140	116	34
VENTS 150 LD	150	206	165	154	36



Certificates

The fans meet the applicable safety and electromagnetic compatibility standards.