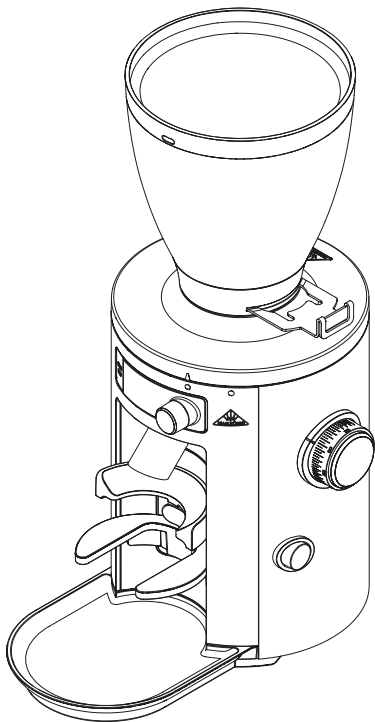


# HOME GRINDER X54

---

ORIGINAL INSTRUCTIONS

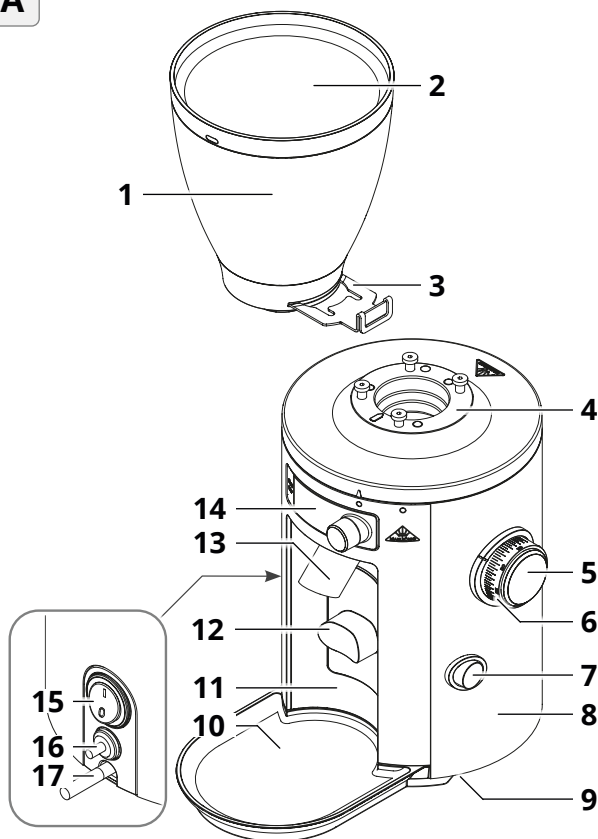


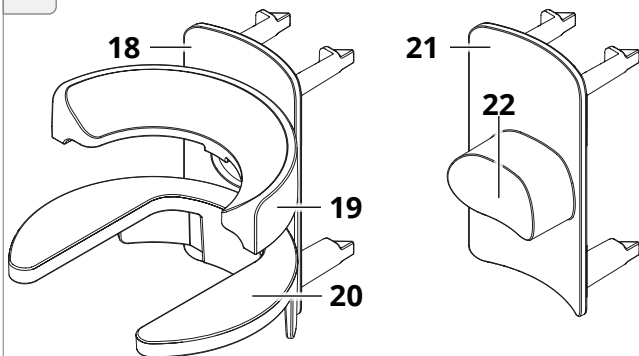
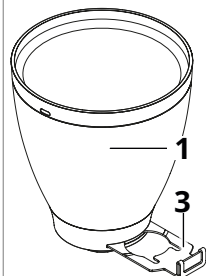
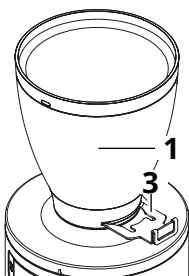
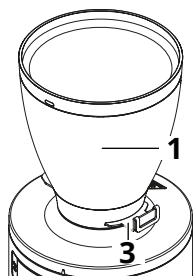
MAHLKÖNIG *home*

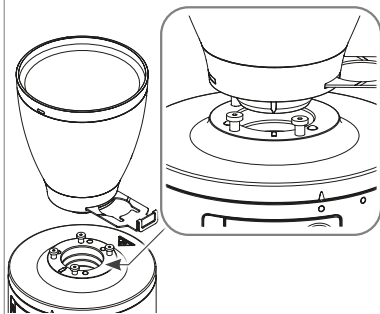
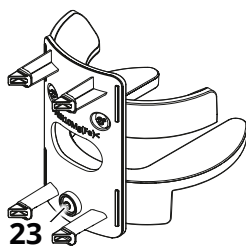
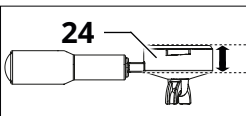
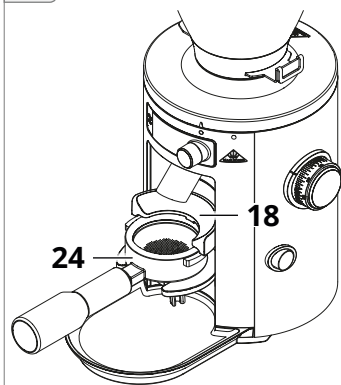
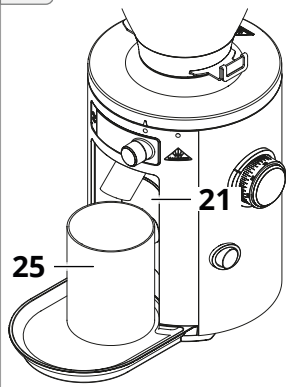
[www.mahlkoenig.de](http://www.mahlkoenig.de)

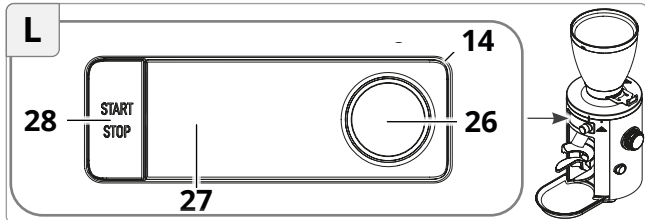
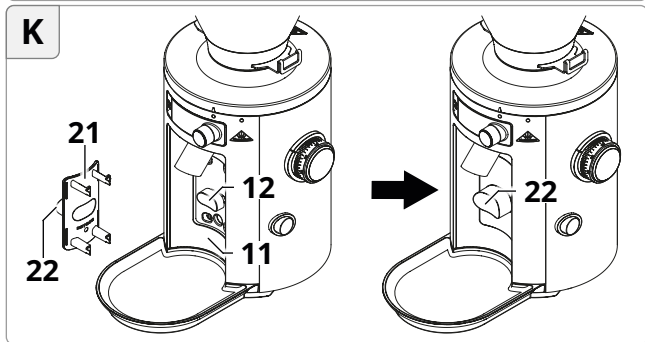
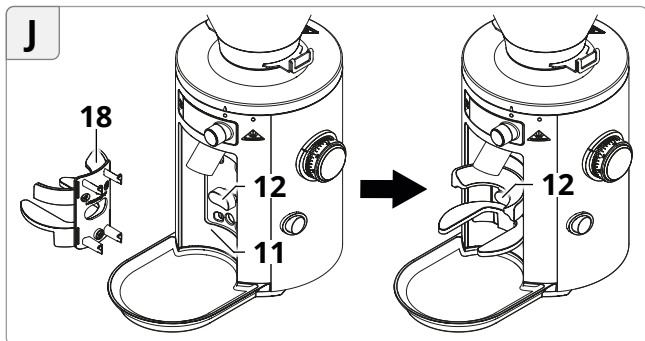
<b>Figures</b> .....	<b>5</b>
<b>Part designations</b> .....	<b>9</b>
<b>General information</b> .....	<b>11</b>
Reading and storing the instruction manual .....	11
Explanation of symbols used .....	12
<b>Safety</b> .....	<b>14</b>
Intended use of the grinder .....	14
Safety information.....	15
Important safeguards.....	15
Additional safety information.....	17
<b>Briefly explained: Basics about the grinder and how it works</b> .....	<b>22</b>
Basic settings.....	23
<b>Commissioning</b> .....	<b>24</b>
Checking the grinder and scope of delivery.....	24
Before the first use.....	24
Selecting the setup location .....	24
Setting up the grinder.....	25
<b>Basic handling</b> .....	<b>26</b>
Using the hopper.....	26
Slider positions .....	26
Inserting the hopper .....	26
Removing the hopper .....	27
Selecting the collecting tray (portafilter vs. container).....	28
Using the portafilter module.....	28
Inserting the portafilter module.....	28
Removing the portafilter module.....	29
Using the container module.....	29
Inserting the container module.....	29
Removing the container module.....	30
Adjusting the portafilter module.....	30
Filling espresso/coffee beans.....	31
Changing the espresso/coffee bean type.....	32

<b>Operation</b> .....	<b>32</b>
Operating steps at a glance.....	32
Switching on the grinder.....	33
Selecting the recipe / manual grinding .....	34
Starting the grinding process.....	34
Grinding with the portafilter module.....	34
Grinding with the container module.....	35
Stopping or interrupting the grinding process manually.....	35
Stopping the grinding with the portafilter module manually ..	36
Stopping the grinding with the container module manually ...	36
After use.....	36
Switching off the grinder.....	36
Using the sleep timer.....	36
Putting the grinder into sleep mode manually.....	37
<b>Changing settings</b> .....	<b>38</b>
Setting the grinding degree.....	38
Defining recipes.....	39
Setting the time of the sleep timer .....	40
<b>Maintenance and service</b> .....	<b>41</b>
Activating/deactivating the Wi-Fi signal.....	42
<b>Optional accessories</b> .....	<b>43</b>
<b>Cleaning</b> .....	<b>44</b>
Cleaning the surface underneath the grinder .....	45
Cleaning the casing.....	46
Cleaning the hopper.....	47
Cleaning the grinding mechanism.....	48
<b>Troubleshooting</b> .....	<b>50</b>
<b>Technical data</b> .....	<b>57</b>
<b>EU Declaration of Conformity</b> .....	<b>58</b>
<b>Disposal</b> .....	<b>58</b>
Disposing of the packaging .....	58
Disposing of the grinder .....	58

**A**

**B****C****D****E**

**F****G****24****H****I**



## Part designations

No.	Name
1	Hopper
2	Lid
3	Slider
4	Hopper intake
5	Hand wheel (grind adjustment)
6	Grinding degree scale
7	Pushbutton (module lock)
8	Grinder body
9	Feet
10	Collecting tray
11	Module area
12	Portafilter switch
13	Spout
14	Control panel
15	On/off switch
16	Release button (thermal overcurrent circuit-breaker)
17	Power cable



<b>No.</b>	<b>Name</b>
18	Portafilter module
19	Portafilter intake
20	Portafilter support
21	Container module
22	Switch sheating
23	Screw (portafilter support height adjustment)
24	Portafilter*
25	Container
26	Jogdial
27	Display
28	START/STOP button

---

\* Not included in the scope of delivery

## General information

### Reading and storing the instruction manual



This document is the **instruction manual** for the **Home Grinder X54\***.

Before you start using the grinder, read through this instruction manual and the safety information carefully. Only in this way can you operate the grinder safely and use all functions optimally and for their intended purpose.

In addition, always keep this instruction manual on hand for later questions and pass it on together with the grinder to any subsequent owners or other users.

This instruction manual is based on the standards and regulations in force in the European Union. Please also observe the guidelines and laws that apply in your country.

---

\* For better readability, the following short forms are used in the following:  
*Home Grinder X54* = **grinder**; *Original instructions* = **instruction manual**.

## Explanation of symbols used

In this instruction manual, on the grinder and on the packaging, you will find various symbols and signal words, the meaning of which is provided in the following overview.

### **WARNING!**

The warning triangle in conjunction with the signal word WARNING indicates a hazard with a medium degree of risk that can result in death or serious injury. Observance of the associated handling instructions reduces the risk associated with the hazard.

### **CAUTION!**

The warning triangle in conjunction with the signal word CAUTION indicates a hazard with a low risk level that can result in minor or moderate injury. Observance of the associated handling instructions reduces the risk associated with the hazard.

### **NOTE!**

The exclamation mark in conjunction with the word NOTE indicates a situation which may result in damage to property. Observance of the relevant handling instructions reduces the risk associated with the situation.



This symbol provides you with useful information about the operation or handling of the grinder.



Declaration of Conformity: Products marked with this symbol fulfill all applicable community provisions of the European Economic Area.



ETL Listed test seal: Products marked with this symbol meet the requirements for electrical product safety in the United States of America.



Products marked with this symbol meet the required criteria of the NSF (*National Sanitation Foundation*) regarding cleanliness and hygiene in the food industry.



Products marked with this symbol are permitted only for indoor use.



This symbol (*general warning sign*) indicates various types of danger.



This symbol (*warning of electrical voltage*) indicates the danger of electric shock.



This symbol indicates that the grinder conforms to protection class I.

## Safety

### Intended use of the grinder

The grinder is designed for grinding whole roasted espresso or coffee beans and may only be used for this purpose. Do not use the grinder for grinding other products or objects and do not make any (technical) changes to the grinder.

The grinder is intended for use in private households or in domestic environments. The maximum filling quantity for the hopper is 500 g and may not be exceeded. The grinder is expressly not designed for commercial uses (gastronomy), but it can be used in commercial facilities in a domestic environment. Including shops, offices or similar working environments, as well as farms, where employees use the grinder, and hotels, motels and other typical residential environments or bed and breakfasts where guests use the grinder.

Any other use or manipulation of the grinder is considered improper and can result in material damage or even personal injury.

Neither the manufacturer nor the retailer can accept liability for any injury or damage resulting from improper use and/or failure to comply with the safety information.

## Safety information

The following *important safeguards* and *additional safety information* must always be observed for the safe use of the grinder: In this way, you can avoid dangerous situations and/or reduce the resulting risks.

# IMPORTANT SAFEGUARDS

- a) Read all instructions.
- b) To protect against risk of electrical shock do not put the grinder, the power cable and the power plug in water or other liquid.
- c) This appliance is not intended for use by children or by persons with reduced physical, sensory, or mental capabilities, or lack of experience and knowledge. Close supervision is necessary when any appliance is used near children. Children should be supervised to ensure that they do not play with the appliance.
- d) Turn the appliance OFF, then unplug from the outlet when not in use, before assembling or disassembling parts and before cleaning. To unplug, grasp the plug and pull from the outlet. Never pull from the power cord.

- e) Avoid contacting moving parts.
- f) Do not operate any appliance with a damaged cord or plug or after the appliance malfunctions, or is dropped or damaged in any manner. Contact the dealer from whom you purchased the grinder or the customer service of Mahlkönig products **[see „Maintenance and service“]**.
- g) The use of attachments not recommended or sold by the manufacturer may cause fire, electric shock or injury.
- h) Do not use outdoors.
- i) Do not let cord hang over edge of table or counter.
- j) Do not let cord contact hot surface, including the stove.
- k) Check hopper for presence of foreign objects before using.

**SAVE THESE INSTRUCTIONS**

## Additional safety information

### **WARNING!**

#### **Risk of electric shock!**

Improper use, incorrect electrical installation, or a voltage that is too high can all lead to electric shock.

- Connect the grinder only if the supply voltage of the socket complies with the information indicated on the type plate.
- Connect the grinder only to an easily accessible socket to allow you to disconnect it quickly from the power supply in the event of a malfunction.
- Do not use the grinder if you notice any visible damage or if the power cable or plug is faulty.
- If the grinder's power cable is damaged, it must be replaced by the manufacturer or by qualified personnel in order to avoid hazards.
- Keep liquids away from the grinder, the power cable and the power plug. Make sure, for example, that the grinder is not exposed to splashing water at the setup location.



- Never touch the power plug with wet hands.
- Never unplug the power plug from the wall socket by pulling on the power cable; always grip the power plug.
- Never carry the grinder by its power cable.
- Keep the grinder and power cable/power plug away from open flames and hot surfaces.
- Do not bend the power cable and do not place it over sharp edges.
- Use the grinder in indoor areas only. Never operate the grinder in damp areas or in the rain.
- If you are not currently using the grinder, if you are cleaning it, or if there is a malfunction, switch the grinder off and remove the power plug from the socket.

 **WARNING!**

**Danger for children and persons with reduced physical, sensory, or mental capacities (e.g. partially disabled persons, elderly persons with limited physical and mental capacities) or a lack of experience and knowledge (e.g. older children).**

- The grinder is not intended for use by children or persons with reduced physical, sensory, or mental capabilities or with a lack of experience and knowledge.
- Always keep the grinder away from children. Children may not use or play with the grinder.
- Make sure that small children in particular cannot reach the power cord. If small children pull on the power cord, they can be seriously injured by the falling grinder.
- Do not leave the grinder unsupervised when it is in operation.
- Do not let children play with the packaging film. Children can become entangled in it and suffocate while playing.

→ Do not let children play with small parts. Small parts can be life-threatening if swallowed.

 **CAUTION!**

**Risk of injury!**

Incorrect handling of the grinder can result in injury.

- Place the grinder on a level and stable surface to prevent it from falling off.
- Lay out the power cable in such a way that nobody can become entangled in it and cause the grinder to fall.

 **NOTE!**

**Risk of damage!**

The grinder can become damaged through improper handling.

- Do not lift the grinder by the hopper. Always lift the grinder by its casing using both hands.

- Make sure that children do not insert any objects into the grinder.
- Do not open the grinder casing, leave repairs to the experts. If repairs are required, contact a specialist workshop. If unauthorized repairs are carried out, the connection is not made correctly, or the grinder is operated incorrectly, all liability and warranty claims are voided. Only parts that comply with the original appliance specifications may be used for repairs. This grinder contains electrical and mechanical parts that are essential for protection against potential hazards.

## Briefly explained: Basics about the grinder and how it works

With the grinder, you can grind both espresso and coffee beans in **different grinding degrees** (fine - coarse) [see „Setting the grinding degree“]. Use the side hand wheel **(5)** to set the grinding degree.

As a **collecting tray** that collects the ground coffee\* from the grinder, you can use either a **portafilter (24)\*\*** or a **container (25)\*\*\*** – depending on how you want to prepare the espresso or coffee [see „Selecting the collecting tray (portafilter vs. container)“].

You can use the grinder either in **Recipe mode** or in the **Manual Grinding mode**.

In Recipe mode, the **ground coffee quantities** per serving, i.e. the dispensing amounts, are defined by the **grinding time**. You can define up to **four different recipes** (grinding times) [see „Defining recipes“]. The grinding process **ends automatically** after specified grinding time is reached. Use the jogdial **(26)** to select the desired recipe.

In Manual Grinding mode, you can control the grinding time manually by pressing the START/STOP button **(28)**.

The grinder has a **portafilter switch (12)**: When you insert a **portafilter**, the grinding process **starts automatically**. When you remove the portafilter, you can stop the grinding process at any time.

---

\* *Ground coffee* = the ground espresso/coffee powder

\*\* For the preparation of espresso with a portafilter machine.

\*\*\* For the preparation of coffee or espresso without a portafilter machine.

If you do not use a portafilter, but rather a **container** as a collecting tray, the portafilter switch is locked: You can **start** the grinding process manually by pressing the **START/STOP button**. If you press the START/STOP button again before the set grinding time has expired, you can stop the grinding process prematurely.

## Basic settings

On delivery, the following recipes are preset for use in Recipe mode:

Recipe 1: 6 seconds (equivalent of 12 g filter coffee / 1 cup of coffee)

Recipe 2: 30 seconds (equivalent of 1 Ltr coffee)

Recipe 3: 20 seconds (equivalent of one double shot espresso)

Recipe 4: 10 seconds (equivalent of one single shot espresso)

# Commissioning

## Checking the grinder and scope of delivery



Grip the grinder body **(8)** with both hands when lifting the grinder out of its packaging.

1. Remove the grinder and all accessories from the packaging.
2. Make sure the delivery is complete (see **Fig. A** and **B**).
3. Check for damage to the grinder or any of the individual parts. If this is the case, do not use the grinder.

In this case, please contact the dealer from whom you purchased the grinder or the customer service of Mahlkönig products [see „Maintenance and service“].

## Before the first use

- » Before the first use, clean the hopper **(1)** as described in the "Cleaning" chapter [see „Cleaning the hopper“], and grind a small portion of espresso or coffee beans (approx. 5-second grinding time) to remove production-related residue.

## Selecting the setup location

Select a grinder setup location that meets the following criteria:

- **Level, stable** and **vibration-free setup surface**;
- **Non-slip** and **dry foundation**;
- **Socket** for the power connection **within reach**;
- Grinder and power cord are **not accessible** to **small children**.



Some cleaning agents contain ingredients that attack the rubberized feet **(9)** of the grinder. As a result, the grinder loses stability.

- » Therefore, only use water and mild detergents to clean the setup surface.

## Setting up the grinder



When lifting or moving the grinder, always grab it by the grinder body **(8)**. This is the best way to keep the grinder *under control* and avoid the risk of accidentally damaging the more sensitive areas\* of the grinder.

1. Set up the grinder at the desired location.  
The grinder must stand securely on the five rubberized feet **(9)** and may not wobble.
2. Place the collecting tray **(10)** in the casing recess under the spout **(13)** on the front of the grinder.  
The collecting tray is magnetically held in the correct position in the casing recess.

---

\* This refers both to the components that should not be accidentally actuated or adjusted (the START/STOP button **(28)**, the spout **(13)**, etc.) and the casing recess for the collecting tray **(10)**, which can break off if the load is too great or unfavorable.



## Basic handling

### Using the hopper

#### Slider positions

The slider **(3)** has three positions within its guide in the hopper **(1)**, between which it is moved.

Position 1: Slider pulled out to maximum (see **Fig. C**)

The hopper is not locked in the hopper intake when the slider is in this position.

Use position 1 when inserting or removing the hopper.

Position 2: Slider pushed in up to the marking (see **Fig. D**)

The hopper is locked in this position in the hopper intake by the slider and closed off towards the grinding mechanism.

Use position 2 when grinding the beans left in the grinding mechanism until it runs empty.

Position 3: Slider pushed in to maximum (see **Fig. E**)

The hopper is locked in this position by the slider in the hopper intake and is open towards the grinding mechanism.

Use position 3 for (regular) grinding.

#### Inserting the hopper

1. Pull the slider **(3)** out of its guide on the hopper **(1)** to the limit stop (see **Fig. C**).

The hopper can only be used when the slider is in position 1 (= maximally pulled out).

2. Position the hopper on the hopper intake **(4)** (see **Fig. F**).

When putting the hopper into place, it must be aligned so that the lug at the lower edge of the hopper slides into the corresponding recess in the hopper intake.

3. Press the hopper down into the hopper intake and push the slider in up to the marking (see **Fig. D**).

The slider noticeably engages in position 2 and locks the hopper in the correct position in the hopper intake.



If the hopper cannot be inserted or the slider does not lock the hopper, the hopper was probably not correctly aligned when it was inserted or the slider was not in position 1 (= maximally pulled out) when the hopper was inserted.

- » In this case, repeat Step 1 and Step 2 again and then try again to fix the hopper by pressing it down and pushing the slider in.

4. When the hopper is correctly locked, push the slider further in to the limit stop (see **Fig. E**).

The slider opens the hopper towards the grinding mechanism (position 3).

5. Place the lid **(2)** back onto the hopper.

### Removing the hopper

1. Pull the slider **(3)** out of its guide on the hopper **(1)** up to the marking (see **Fig. D**).

The slider noticeably engages in position 2 and closes the hopper towards the grinder.

2. Grind the coffee beans left in the grinding mechanism until the grinder runs empty.
3. Loosen the lock of the hopper by pulling the slider out of its guide on the hopper until it stops (see **Fig. C**).

The hopper can only be released from its lock when the slider is in position 1 (= maximally pulled out).

- Remove the hopper from the grinder by lifting it out of the hopper intake (4).

## Selecting the collecting tray (portafilter vs. container)

The scope of delivery includes two different modules for the respective collecting trays\*:

- A portafilter (24) is used with the **portafilter module (18)** (see **Fig. H**) [see „Using the portafilter module“].
- A container (25) is used with the **container module (21)** (see **Fig. I**) [see „Using the container module“].

## Using the portafilter module

### Inserting the portafilter module



To ensure that your portafilter (24) sits optimally in the portafilter module (18), you must adjust the portafilter support (20) to the appropriate height for your portafilter [see „Adjusting the portafilter module“].

Make this setting **before inserting the portafilter module**.

- Place the portafilter module (18) in correct alignment on the module area (11) below the spout (13) (see **Fig. J**).

The two pins on the back of the module are aligned with the corresponding holes in the module area and the opening in the module is in front of the portafilter switch (12).

---

\* Portafilter or container

2. Keep the side pushbutton **(7)** pressed and simultaneously push the module into the module area.

The two pins on the back of the module slide into the holes in the module area.

The portafilter switch in the module area slides smoothly through the opening in the module.

3. Release the pushbutton.

The pins on the back of the module snap into the module area and lock the module in the correct position.

### Removing the portafilter module

1. To remove the module **(18)** keep the side pushbutton **(7)** pressed.

In this way, you can release the module lock.

2. Remove the module carefully towards the front from the module area **(11)**.

Make sure you do not tilt the module when pulling it out of the module area: The portafilter switch **(12)** must slide smoothly through the opening in the module.

### Using the container module

#### Inserting the container module

1. Place the container module **(21)** in correct alignment on the module area **(11)** below the spout **(13)** (see **Fig. K**).

The two pins on the back of the module are aligned with the corresponding holes in the module area and the opening of the switch sheathing **(22)** is in front of the portafilter switch **(12)**.

2. Keep the side pushbutton **(7)** pressed and simultaneously push the module into the module area.

The two pins on the back of the module slide into the holes in the module area.

The portafilter switch in the module area slides smoothly into the switch sheathing of the module.

3. Release the pushbutton.

The pins on the back of the module snap into the module area and lock the module in the correct position.

### Removing the container module

1. To remove the module **(21)** keep the side pushbutton **(7)** pressed.

In this way, you can release the module lock.

2. Remove the module carefully towards the front from the module area **(11)**.

Make sure you do not tilt the module when pulling it out of the module area: The portafilter switch **(12)** must slide smoothly out of the switch sheathing **(22)** in the module.

### Adjusting the portafilter module



To ensure that your portafilter **(24)** sits optimally in the portafilter module **(18)**, you must adjust the portafilter support **(20)** to the appropriate height for your portafilter. Make this setting before inserting the portafilter module.

1. Using a screwdriver, loosen the screw **(23)** of the portafilter support on the back of the module by turning them counterclockwise (see **Fig. G**).

The portafilter support **(20)** lowers until it reaches the limit stop.

2. Insert the portafilter **(24)** into the portafilter intake **(19)** of the module.
3. Push the portafilter support upwards until the portafilter fits exactly between the portafilter support (bottom) and the portafilter intake (top).
4. Hold the portafilter support in position and fix it by tightening the screw of the portafilter support clockwise using a screwdriver.

## Filling espresso/coffee beans



Always pour the espresso or coffee beans into the hopper **(1)** placed on the grinder [see „Inserting the hopper“]. Do not fill the beans into the hopper first and insert it afterwards.

1. Remove the lid **(2)** from the hopper **(1)**.
2. Pour whole roasted espresso or coffee beans into the hopper from above.



The **maximum fill amount** should be approx. 1 cm below the edge of the hopper.

3. Place the lid back onto the hopper.
4. If necessary, push the slider **(3)** in its guide into the hopper to the limit stop.

The slider opens the hopper towards the grinding mechanism (position 3).

## Changing the espresso/coffee bean type

1. Remove the hopper **(1)** with the espresso/coffee beans of the *old* type from the grinder [see „Removing the hopper“].
2. Remove the leftover espresso beans from the hopper.
3. Remove any excess beans from the hopper intake **(4)**.
4. Place the hopper back onto the hopper intake [see „Inserting the hopper“].
5. Pour the espresso/coffee beans of the *new* type into the hopper.
6. Grind 2–3 shots to remove any residue of the old coffee beans, warm up the machine and prevent any fluctuations in dispensing the beans.

## Operation

### Operating steps at a glance



In this chapter, **the basic operating steps for using the grinder** are briefly described.

Detailed descriptions of the individual items can be found in the corresponding sub-chapters.

1. Switch on the grinder [see „Switching on the grinder“].
2. Select the collecting tray **(24)/(25)** and insert the appropriate module **(18)/(21)** [see „Selecting the collecting tray (portafilter vs. container)“] / [see „Using the portafilter module“] / [see „Using the container module“].

**Important:** If you use the portafilter module and still want to change settings, do not insert the portafilter yet. With the insertion of the portafilter, you start the grinding process.

3. Select the desired recipe or Manual Grinding mode [see „Selecting the recipe / manual grinding“].

If the recipe or Manual Grinding mode is already set as desired, skip this step and continue with Step 4.

4. Set the grinding degree [see „Setting the grinding degree“].

If the grinding degree is already set as desired, skip this step and continue with Step 5.

5. Insert the collecting tray and start the grinding process [see „Starting the grinding process“].

6. Only for Manual Grinding mode: Press the START/STOP button **(28)** to stop the grinding process [see „Stopping or interrupting the grinding process manually“].

When grinding according to recipe, the grinding process stops automatically after the set grinding time has elapsed.

7. Remove the collecting tray with the ground coffee.

## Switching on the grinder

1. Make sure that the grinder is switched off.

The On/Off switch **(15)** on the back of the grinder must be in position **0** (=OFF).

2. Insert the power plug into the socket.


Use a properly installed protective contact socket for the mains connection of the grinder.



3. Switch on the grinder by setting the On/Off switch to position I (=ON).

The grinder is ready for operation as soon as the last selected recipe or the start screen appears on the display (27).

## Selecting the recipe / manual grinding

- » Simply turn the jogdial (26) clockwise or counterclockwise until the display (27) shows the number of the desired recipe or the symbol  for manual grinding. The time display shows the grinding time for the selected recipe or 00:00 in Manual Grinding mode.

## Starting the grinding process



When grinding according to recipe, the display (27) shows the remaining duration of the set grinding time, i.e. the displayed time decreases.

During manual grinding, the display shows the current grinding time, i.e. the displayed time increases.

## Grinding with the portafilter module

- » Push the portafilter (24) between the portafilter intake (19) and the portafilter support (20) up to the limit stop at the portafilter switch (12) (see Fig. H).

Grinding starts automatically when the portafilter is inserted, thus triggering the portafilter switch.

## Grinding with the container module

1. Place the container **(25)** in the module area **(11)** (see **Fig. I**).

The container opening must be centered under the spout **(13)**.

2. Press the START/STOP button **(28)** once briefly.

The grinding process starts.

## Stopping or interrupting the grinding process manually

You can always stop the current grinding process manually at any time, regardless of whether you are in Manual Grinding or Recipe mode\*.

The time\*\* shown on the display **(27)** stops and remains for the duration of the abort time\*\*\*. The number of the selected recipe or the symbol  for manual grinding flashes.

As long as the stopped time is shown in the display, you can continue the interrupted grinding process.

- » To resume the interrupted grinding process, simply proceed as if you were starting the grinding process regularly [see „Starting the grinding process“].
- » To stop grinding permanently and discard the displayed time, briefly press the jogdial **(26)** once / wait until the abort time has expired.

---

\* In Recipe mode, you can stop grinding manually only before the set grinding time has expired.

\*\* In Recipe mode, the time displayed corresponds to the remaining set grinding time and to the grinding time already elapsed in Manual Grinding mode.

\*\*\* The abort time is about 3 seconds.

## Stopping the grinding with the portafilter module manually

- » Simply remove the portafilter (24) from the portafilter module (18) to stop the grinding process.

Grinding stops automatically when the portafilter is removed, thus releasing the portafilter switch (12).

## Stopping the grinding with the container module manually

- » Briefly press the START/STOP button (28) once to stop the grinding process.

## After use

### Switching off the grinder

- » After use or when you are no longer supervising the grinder, switch it off and unplug the power plug.

### Using the sleep timer



When the sleep timer is activated, the symbol **S** lights up on the display (27).

Do not leave the grinder switched on unattended, even in sleep mode.

1. If necessary, set the time for the sleep timer and/or activate the sleep timer [see „Setting the time of the sleep timer“].
2. When the set time has elapsed since the last use, the activated grinder automatically switches to sleep mode.

The indication in the display (27) disappears completely.

3. Press any control element\* to wake up the grinder from sleep mode.

The display then automatically switches to the start display.

### Putting the grinder into sleep mode manually



You can also put the grinder into sleep mode manually, without using the sleep timer.

1. Keep the START/STOP button **(28)** pressed (approx. 2–3 seconds).

The activated grinder immediately switches to sleep mode.

The indication in the display **(27)** disappears completely.

2. Press any control element\* to wake up the grinder from sleep mode.

The display then automatically switches to the start display.

---

\* The operating elements include the START/STOP button **(28)**, the jogdial **(26)**, the portafilter switch **(12)** and the side hand wheel **(5)**.

## Changing settings

### Setting the grinding degree



With the side hand wheel **(5)**, you can infinitely adjust the desired grinding degree: The finest setting on the grinding degree scale **(6)** is "01", while the maximum (coarsest) setting is "35".

Approximate guide values for the grind adjustment are as follows:

- Espresso            01-05
- Caffè Crème        05-15
- Filter coffee        15-25
- FrenchPress        > 25

- » Turn the hand wheel **(5)** so that the marking on the hand wheel points to the desired grinding degree on the grinding degree scale **(6)**.

#### **Turn clockwise:**

Increase the grinding degree (= set a coarser grinding degree)

#### **Turn counterclockwise:**

Reduce the grinding degree (= set a finer grinding degree).



**Only reduce** the grinding degree **when the grinder is in operation.**

## Defining recipes

Proceed as follows if you want to set up the grinding time for a new recipe or change the grinding time of an existing recipe:

1. Select the number of the desired recipe in the display **(27)** by turning the jogdial **(26)** [see „**Selecting the recipe / manual grinding**“].
2. Press and hold the jogdial (approx. 2–3 seconds).  
The grinding time currently set for the selected recipe starts flashing on the display.
3. Rotate the jogdial to set the desired grinding time.
4. Press and hold the jogdial again (approx. 2–3 seconds) to confirm the newly set grinding time.

**or**

Press the jogdial once briefly to discard the new setting.

The display then automatically switches to the start display.



If you do not make any settings for longer than 5 seconds (turn/press the jogdial), the process is aborted.

## Setting the time of the sleep timer



The grinder has an integrated sleep timer.

When the sleep timer is activated, the grinder automatically switches to sleep mode after a previously set period of time after the last use\* [see „Using the sleep timer“].

When the sleep timer is activated, the symbol **S** lights up on the display (27).

1. Press and hold the jogdial (26) and the START/STOP button (28) simultaneously (approx. 2–3 seconds).

Enter the setting mode for the sleep timer.

The display (27) shows the lettering **---- AUTO SLEEP in** in four stages.

2. Turn the jogdial clockwise or counterclockwise to select the desired time for the sleep timer.

Possible selection for setting the sleep timer:

0 min, 3 min, 5 min, 10 min, 20 min and 30 min.

3. Press and hold the jogdial again (approx. 2–3 seconds) to confirm the set time setting for the sleep timer and activate the sleep timer.

The display then automatically switches to the start display.

---

\* In sleep mode, the display goes out and the grinder reduces its energy consumption.

## Maintenance and service

- » If servicing is required, contact the customer service for Mahlkönig products. Please visit the Mahlkönig Service Platform at:

[www.mahlkoenig.de](http://www.mahlkoenig.de)



The Customer Service department can answer any questions you may have regarding repair and maintenance of your product or spare parts.

Our Application Consulting team will be happy to help you with questions concerning our products and their accessories.

- » For all inquiries and spare parts orders, please be sure to include the **article number** and **serial number** as stated on the grinder type plate.



## Activating/deactivating the Wi-Fi signal



Enabled Wi-Fi facilitates convenient software updates and access to usage statistics, error messages and other grinder data. For detailed information please refer to [www.mahlkoenig.de/X54](http://www.mahlkoenig.de/X54).

When the Wi-Fi signal is activated, the symbol  on the display **(27)** lights up.

1. Select the Wi-Fi ON/OFF option on the display **(27)** by turning the jogdial **(26)**.
2. Keep the jogdial pressed (approx. 2–3 seconds) to enter the setting mode for the Wi-Fi signal.
3. Turn the jogdial clockwise or counterclockwise to select the desired setting option for the Wi-Fi signal.

Possible setting options for the Wi-Fi signal:

**ON** (=Wi-Fi switched on), **OFF** (=Wi-Fi switched off), **rSEt**.

rSET will reset the WiFi settings to factory defaults (WiFi symbol will be shown dimmed).

4. Press and hold (approx. 2–3 seconds) the jogdial to confirm the selected setting option for the Wi-Fi signal.

## Optional accessories

Mahlkönig is constantly working on further developing its existing products and opening up new avenues for coffee lovers worldwide through technical innovations. In terms of user satisfaction and sustainability, it is particularly important to us that our existing products can be retrofitted (as far as possible) with new technologies and new accessories. In this way, you too can benefit from our (future) innovations.

- » Just visit our homepage [www.mahlkoenig.de](http://www.mahlkoenig.de).

If you're lucky, you'll discover **brand new** optional **accessories** for your grinder, which you can perhaps use to tailor it even better to your personal taste - for **your** very own individual **coffee enjoyment**.

## Cleaning

### **WARNING!**

#### **Risk of electric shock!**

There is a risk of electric shock if electrical components are handled improperly.

- Turn off the grinder and unplug the power cord from the socket before starting to clean the grinder.

### **NOTE!**

#### **Risk of damage!**

The grinder can become damaged through improper handling.

- Do not clean the grinder with compressed air (e.g. with a compressed-air blow gun).
- Do not immerse the grinder, power cable or power plug into water or any other liquids.
- Never clean the grinder with a water jet.
- Ensure that no water or other liquids enter the casing in any other way.

- Do not use any harsh cleaning agents or sharp or metallic cleaning tools such as knives, metal scouring pads, or similar. These can scratch the surface.
- Do not use a dishwasher to clean the collecting tray or the lid of the hopper. These parts are not dishwasher-proof and the color may fade.
- Do not lift the grinder by the hopper. Always lift the grinder by its casing using both hands.

### **Cleaning the surface underneath the grinder**

1. Switch off the grinder (On/Off switch **(15)** to position **0**) and pull the power plug out of the socket.
2. Lift the grinder by the grinder body **(8)** with both hands and place it on another surface that is clean.
3. Clean the installation surface and the underside of the grinder with a damp cloth and dry the surfaces. The surfaces must be dry and free of oil and grease.
4. Place the grinder back onto the cleaned surface.

## Cleaning the casing



Clean the casing at regular\* intervals.

The manufacturer recommends using a brush with nylon bristles for cleaning.

1. Switch off the grinder (On/Off switch **(15)**) to position **0** and pull the power plug out of the socket.
2. If necessary, remove the inserted module **(18)/(21)** from the grinder [see „Removing the portafilter module“] / [see „Removing the container module“].
3. Clean the following parts of the grinder with a brush:
  - Spout **(13)**,
  - Portafilter switch **(12)**,
  - The holes in the module area **(11)**.
4. Pull the collecting tray **(10)** forward and out of the grinder.
5. Wipe the casing and collecting tray with a damp cloth.

---

\* The intervals at which you should clean the casing depend on your usage pattern, among other things. Clean the casing at least once a week if used frequently.

## Cleaning the hopper



The hopper must be cleaned regularly\* to remove any coffee oil residue, which can have a negative effect on the taste.

1. Remove the hopper **(1)** with any remaining espresso/ coffee beans [see „**Removing the hopper**“].
2. Temporarily transfer the espresso/coffee beans into another container if necessary.
3. Clean the hopper from the inside and outside, as well as the lid **(2)**, with a damp cloth and dry both again.
4. Remove any excess beans from the hopper intake **(4)**.
5. Place the empty hopper back onto the hopper intake [see „**Inserting the hopper**“].
6. Pour the espresso/coffee beans back into the hopper.

---

\* The intervals at which you should clean the hopper depend on your usage pattern, among other things. If you use the hopper frequently, it is best to clean it daily.

## Cleaning the grinding mechanism



The manufacturer recommends cleaning with the grinder cleaner GRINDZ™.

For more information about GRINDZ™, visit [www.mahlkoenig.de](http://www.mahlkoenig.de).

Clean the grinding mechanism regularly\* to prevent dosing fluctuations and premature wear.

1. Set the grinding degree to a medium setting [see „Setting the grinding degree“].
2. Remove the hopper (1) with any remaining espresso/ coffee beans [see „Removing the hopper“].
3. Insert the container module (21) into the module area (11) [see „Inserting the container module“].
4. Pour the grinder cleaner directly into the grinding mechanism from above.  
Adhere to the quantities indicated by the manufacturer of the grinder cleaner you are using.
5. Remove any excess grinder cleaner from the hopper intake (4).
6. Replace the hopper, but keep the hopper still closed towards the grinding mechanism (slider (3) in position 2) [see „Inserting the hopper“].
7. Place a bowl in the module area below the spout (13) to catch the grinder cleaner.

---

\* The intervals at which you should clean the grinding mechanism depend on your usage pattern, among other things. If used frequently, clean the grinding mechanism approximately once a week.

8. Press the START/STOP button **(28)** to start grinding and keep the button pressed until the grinder cleaner is completely ground.
9. Now push the slider further in to the limit stop.  
The slider opens the hopper towards the grinding mechanism (position 3).
10. To remove leftover cleaning particles, grind a quantity of espresso/coffee beans equal to the quantity of grinder cleaner used twice.  
Set the grinder to the desired grinding degree during the grinding process.
11. Dispose of the ground grinder cleaner and the ground coffee beans in commercial/domestic waste.



## Troubleshooting

Problem	Cause / Solution
The grinder is not grinding, the display does not light up.	<p>The power plug is not plugged into a socket.</p> <ul style="list-style-type: none"> <li>» Insert the power plug into a properly installed socket.</li> </ul>
	<p>The thermal overcurrent circuit-breaker has been triggered.</p> <ul style="list-style-type: none"> <li>» Check whether the circuit-breaker's release button <b>(16)</b> has popped out. Push it back in if necessary.</li> <li>» If the switch pops out repeatedly, contact Customer Service for Mahlkönig products [see „Maintenance and service“].</li> </ul>
	<p>The back-up fuse has tripped.</p> <ul style="list-style-type: none"> <li>» Check the back-up fuse of your house connection. If necessary, restore the back-up fuse to its original state or replace it.</li> <li>» Check if other loads are connected to this fuse and if so, unplug them.</li> <li>» If the back-up fuse trips repeatedly, contact Customer Service for Mahlkönig products [see „Maintenance and service“].</li> </ul>

**Problem****Cause / Solution**

The grinder does not grind, the error message **E001** is shown in the display.

The hopper is not inserted.

- » Insert the hopper [see „Inserting the hopper“].

Error message **E002** is shown in the display.

No WiFi connection to an external station possible.

1. Switch the grinder off and on again [see „Switching off the grinder“] and [see „Switching on the grinder“].
2. Reset the WiFi setting by selecting the **rSEt** option [see „Activating/deactivating the Wi-Fi signal“].
3. Please contact the customer service for Mahlkönig products [see „Maintenance and service“].

Problem	Cause / Solution
Error message <b>E003</b> is shown in the display.	<p>The grinder automatically switches to manual grinding degree mode. This mode cannot be exited by any means as long as this error code is active.</p> <ol style="list-style-type: none"> <li>1. Switch the grinder off and on again [see „Switching off the grinder“] / [see „Switching on the grinder“].</li> <li>2. If the WiFi signal is activated: Call the error message via a paired device and confirm the error message.</li> <li>3. Please contact the customer service for Mahlkönig products [see „Maintenance and service“].</li> </ol>
Error message <b>E004</b> is shown in the display.	<p>An LED in the display has failed.</p> <ol style="list-style-type: none"> <li>1. Switch the grinder off and on again [see „Switching off the grinder“] / [see „Switching on the grinder“].</li> <li>2. After switching on again, observe the start animation on the display to locate the affected LED.</li> <li>3. Please contact the customer service for Mahlkönig products [see „Maintenance and service“].</li> </ol>

Problem	Cause / Solution
Error message <b>E008</b> is shown in the display.	<p>Product identification in the log files is not possible</p> <ol style="list-style-type: none"> <li>1. Switch the grinder off and on again [see „Switching off the grinder“] / [see „Switching on the grinder“].</li> <li>2. Please contact the customer service for Mahlkönig products [see „Maintenance and service“].</li> </ol>
Error message <b>E010</b> is shown in the display.	<p>The grinding discs are worn and the quality of the ground material is deteriorating.</p> <p>The grinding discs must be replaced.</p> <ul style="list-style-type: none"> <li>» Please contact the customer service for Mahlkönig products [see „Maintenance and service“].</li> </ul>

**Problem****Cause / Solution**

The grinder is humming but not grinding.

The grinding mechanism is blocked.

The grounds are too fine.

1. Set the grinding degree to the maximum setting [see „Setting the grinding degree“].
2. Start the grinding process [see „Starting the grinding process“].  
The grinder will free itself.
3. Then set the desired grinding degree during operation.

Ground coffee has built up in the grinder because of overfilling the portafilter.

1. Clean the spout [see „Cleaning the casing“].
2. Set the grinding degree to the maximum setting [see „Setting the grinding degree“].
3. Start the grinding process [see „Starting the grinding process“].  
The grinder will free itself.
4. Then set the desired grinding degree during operation.


A foreign object is in the grinding mechanism.

- » Contact Customer Service for Mahlkönig products [see „Maintenance and service“].

<b>Problem</b>	<b>Cause / Solution</b>
The grinder is not grinding finely enough.	<p>The grinding discs are worn out or need to be readjusted.</p> <p>» Contact Customer Service for Mahlkönig products [see „Maintenance and service“].</p>
The grinder does not grind continuously or the grinding process stops intermittently.	<p>The portafilter switch is defective.</p> <p>» Contact Customer Service for Mahlkönig products [see „Maintenance and service“].</p>

Problem	Cause / Solution
The grinder's dosing accuracy is decreasing.	<p>The spout is clogged. Too much ground coffee has built up a solid residue inside the grinder.</p> <ol style="list-style-type: none"> <li>1. Clean the spout [see „Cleaning the casing“].</li> <li>2. Set the grinding degree to the maximum setting [see „Setting the grinding degree“].</li> <li>3. Start the grinding process [see „Starting the grinding process“]. The grinder will free itself.</li> <li>4. Then set the desired grinding degree during operation.</li> </ol>
The hopper cannot be put in place.	<p>The grinder spout is damaged.</p> <ul style="list-style-type: none"> <li>» Contact Customer Service for Mahlkönig products [see „Maintenance and service“].</li> </ul> <p>There are beans in the hopper intake.</p> <ul style="list-style-type: none"> <li>» Remove the beans from the hopper intake <b>(4)</b>.</li> </ul>

## Technical data

Model:	X54		
Voltage / frequency:	220–240 V; 50/60 Hz	110–127 V; 60 Hz	100 V; 50/60 Hz
Idle speed:	1 000 rpm	1 050 rpm	1 050 rpm
Protection type:	IPX1		
Protection class:	I 		
Noise emission (during grinding):	65 dB(A)		
Grinding capacity (fine-coarse):	1–2.8 g/s*		
Max. permitted operating cycle:	10 Sec ON / 50 Sec OFF		
Recommended break:	50 Sec		
Max. daily output:	1.7 kg*		
Dimensions (W × D × H):	19 × 28 × 42.5 cm		
Weight (net):	5.1 kg		
Max. filling quantity of hopper:	500 g		

\* The grinding capacity and the max. daily output depend on the espresso/ coffee bean type selected, the grinding degree selected and the power frequency. Stated values describe maximum outputs per time interval within rated cycle times. Users in UL-Region (USA) must limit the cumulative product use-time per year to less than 100 hours (see UL 982 cl. 1.1. & National Electrical Code ANSI/NFPA 70.)



## EU Declaration of Conformity

Hemro International AG hereby declares that the HomeGrinder X54 complies with the essential health and safety requirements of all relevant European directives.

The full text of the EU Declaration of Conformity is available at the following URL: [www.mahlkoenig.de](http://www.mahlkoenig.de).

## Disposal

### Disposing of the packaging



Dispose of the packaging by correctly sorting the recyclable materials. Dispose of cardboard as paper waste and plastic as recyclable materials.

### Disposing of the grinder



**Used appliances may not be thrown into commercial/domestic waste!**

If you are no longer able to use your grinder, you as a consumer are **legally obliged to dispose of old appliances separately from commercial/household waste**, e.g. at a collection point in your community/urban district. This ensures that old appliances are recycled correctly and reduces harmful effects on the environment. For this reason, electrical appliances are labeled with the symbol shown opposite.

For disposal in the USA: Please ensure that your recycling information complies with local regulations and EPA recommendations ([www.epa.gov](http://www.epa.gov)).

