

# JBL® CLUB SPEAKERS



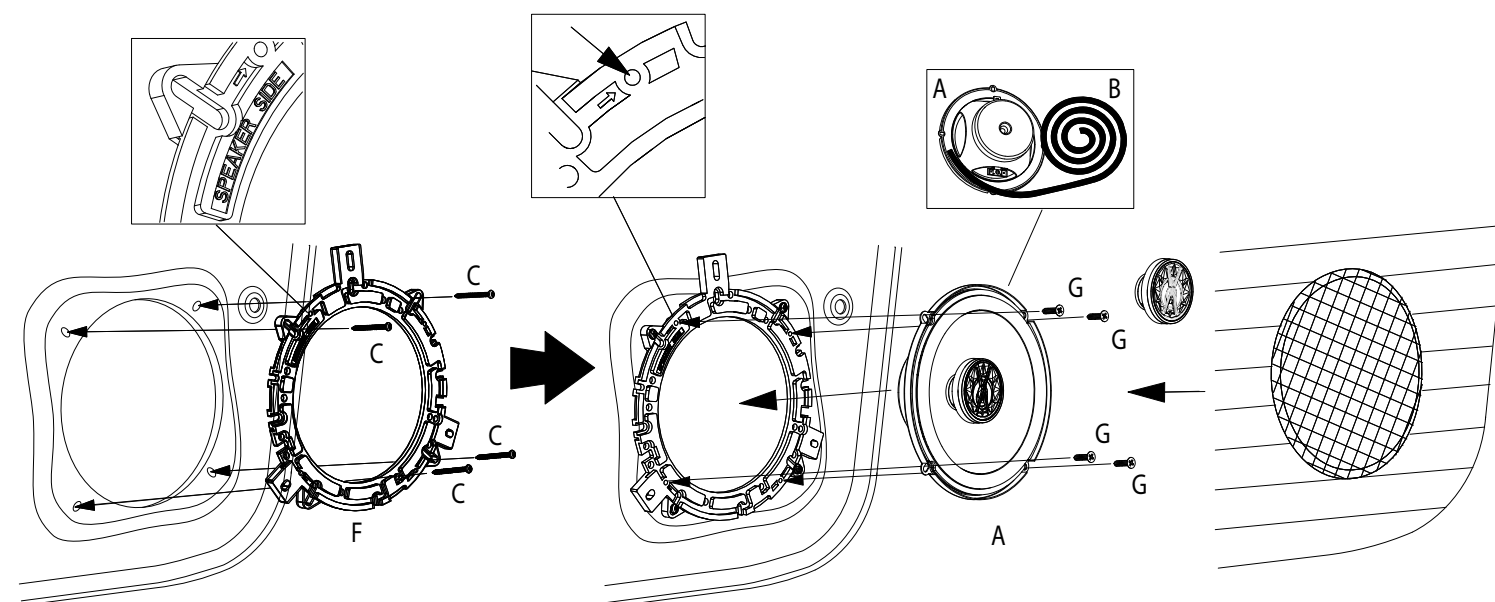
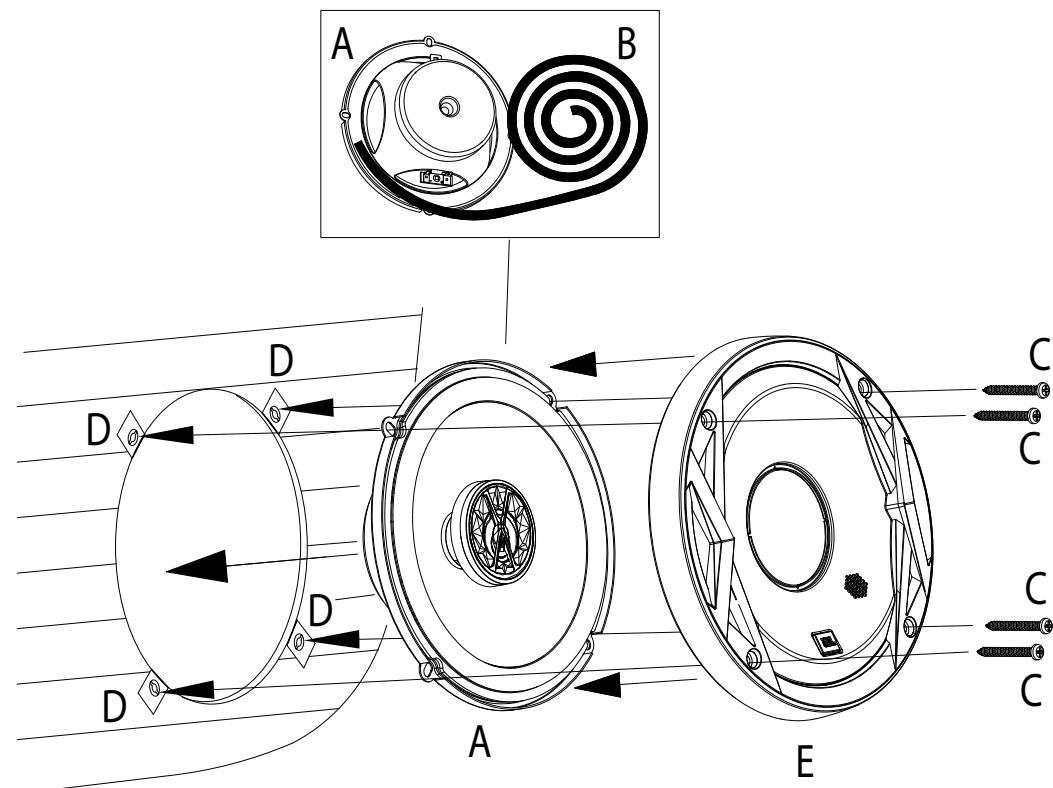
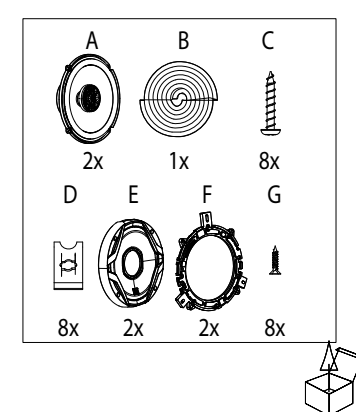
by HARMAN

Car Audio Speaker  
 Haut-parleur audio automobile  
 Altavoz de audio para automóvil  
 Alto-falante automotivo  
 Fahrzeuglautsprecher  
 Diffusore Car Audio  
 Autoluidspreker  
 Bilstereohøytaler  
 Autokaiutin  
 Автомобильный динамик  
 Bilhögtalare  
 Bilhöjtaler  
 カーオーディオ・スピーカー  
 Głośnik samochodowy  
 카오디오 스피커  
 车载扬声器  
 汽車音響喇叭  
 Speaker Audio Mobil  
 Araba Ses Hoparlörü

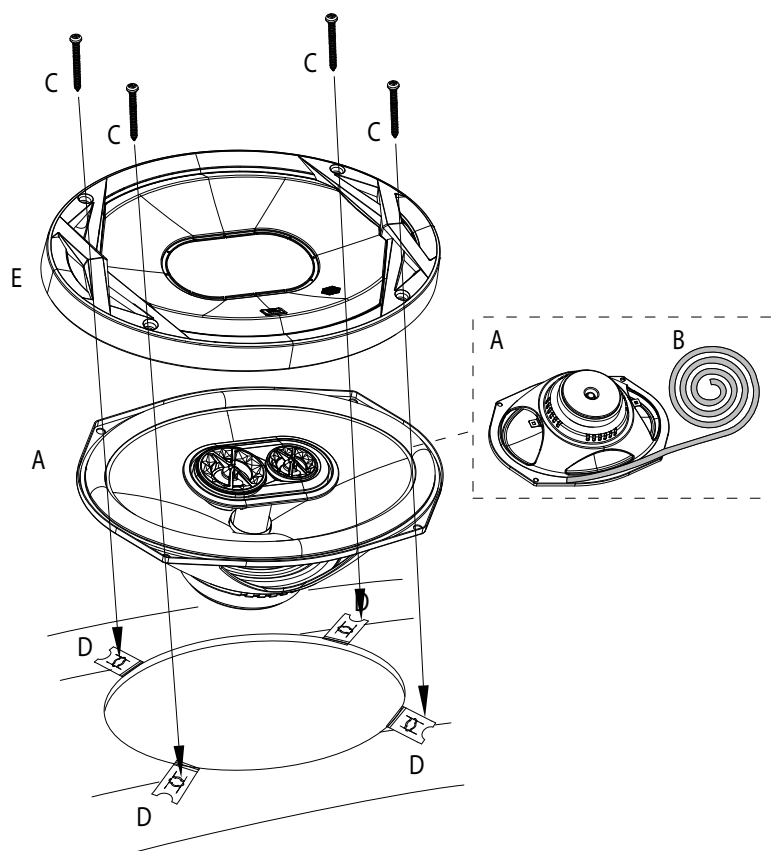
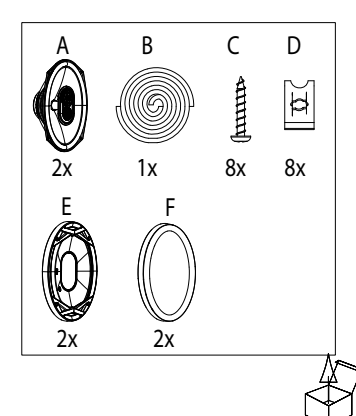


Installation manual  
 Manuel d'installation  
 Manual de instalación  
 Manual de instalação  
 Installationshandbuch  
 Manuale d'installazione  
 Installatiehandleiding  
 Installasjonsveiledning  
 Asennusopas  
 Руководство по установке  
 Installationsanvisning  
 Installationsmanual  
 設置マニュアル  
 Instrukcja instalacji  
 설치 설명서  
 安装手册  
 安裝手冊  
 Panduan instalasi  
 Kurulum kılavuzu

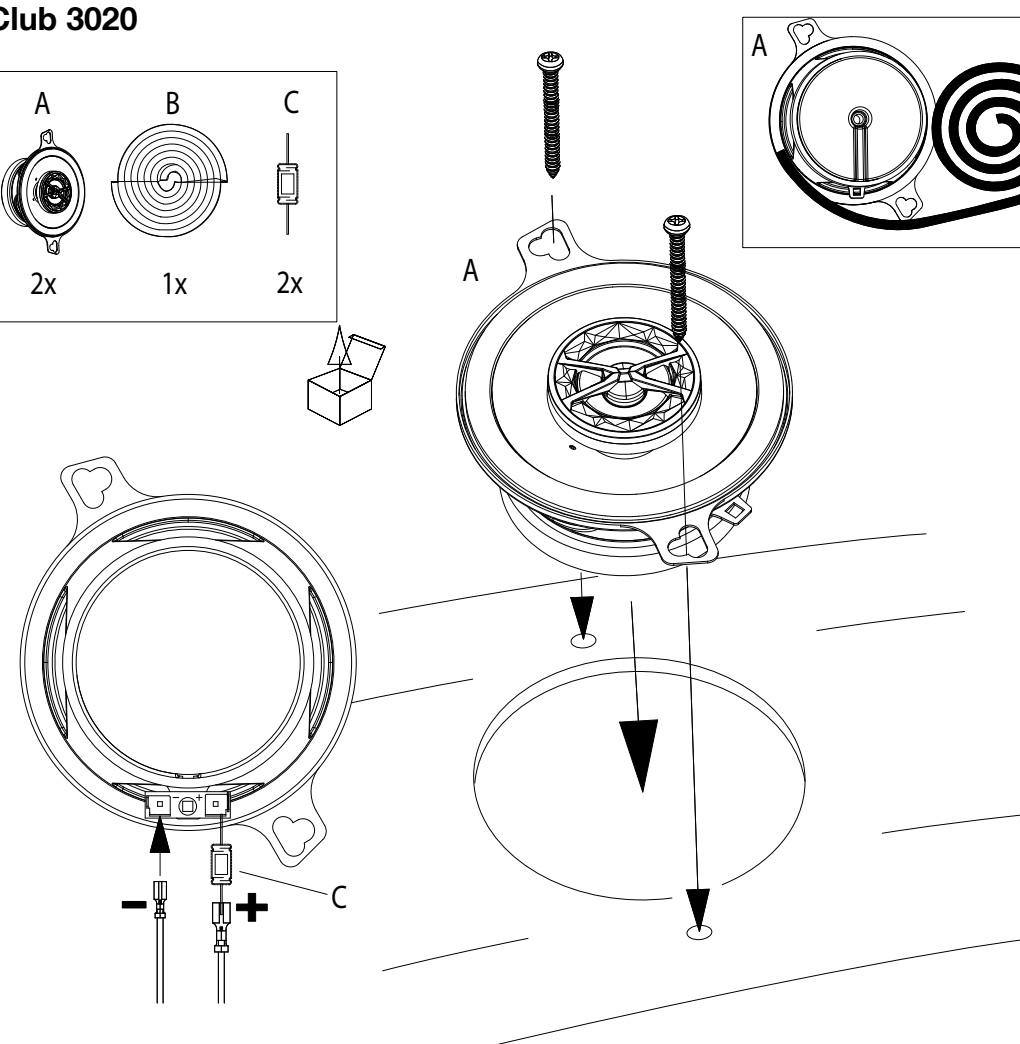
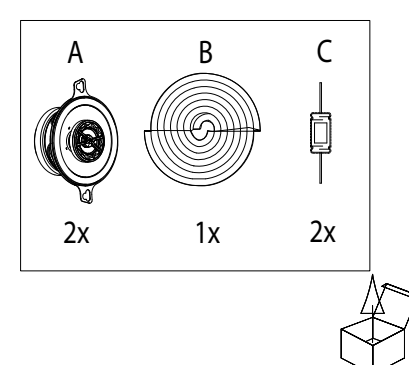
## CLUB 6520



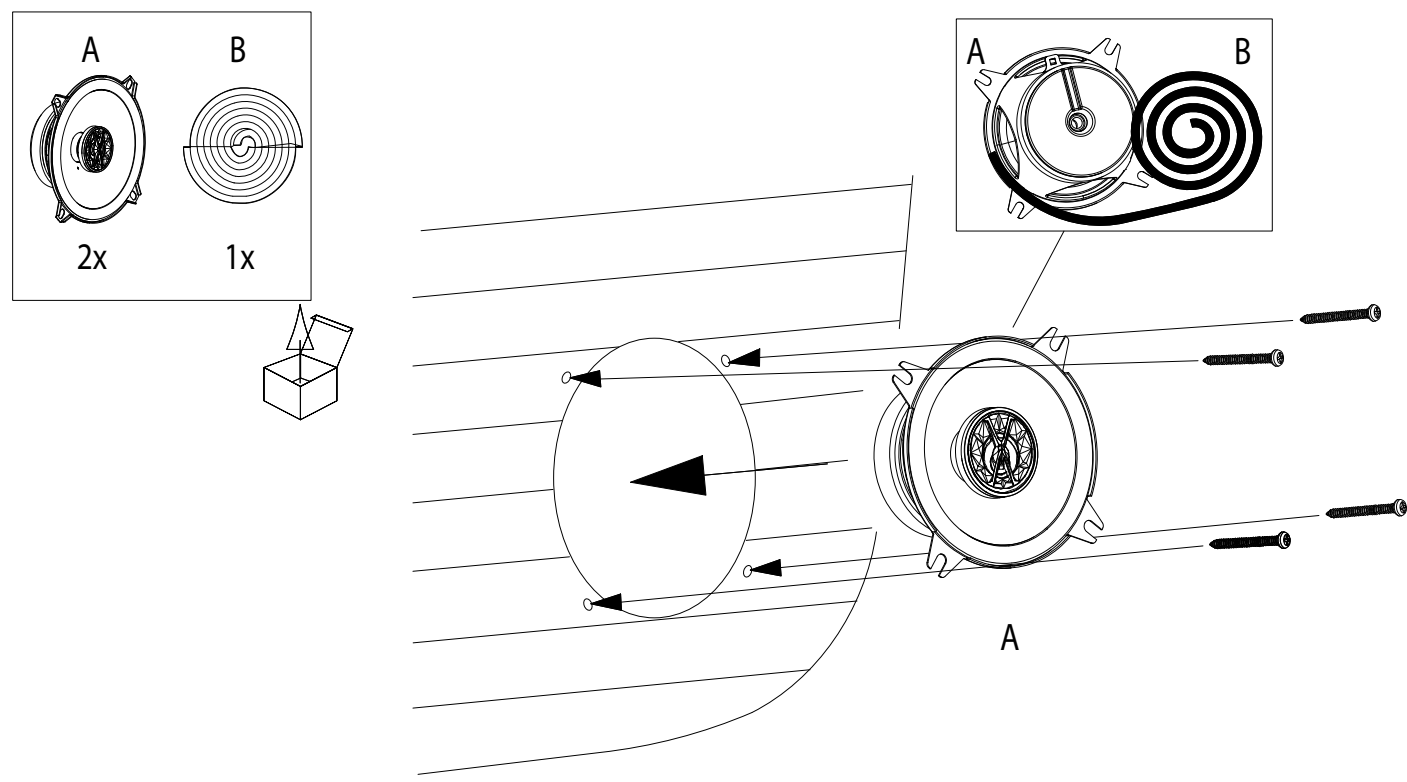
## CLUB 9630



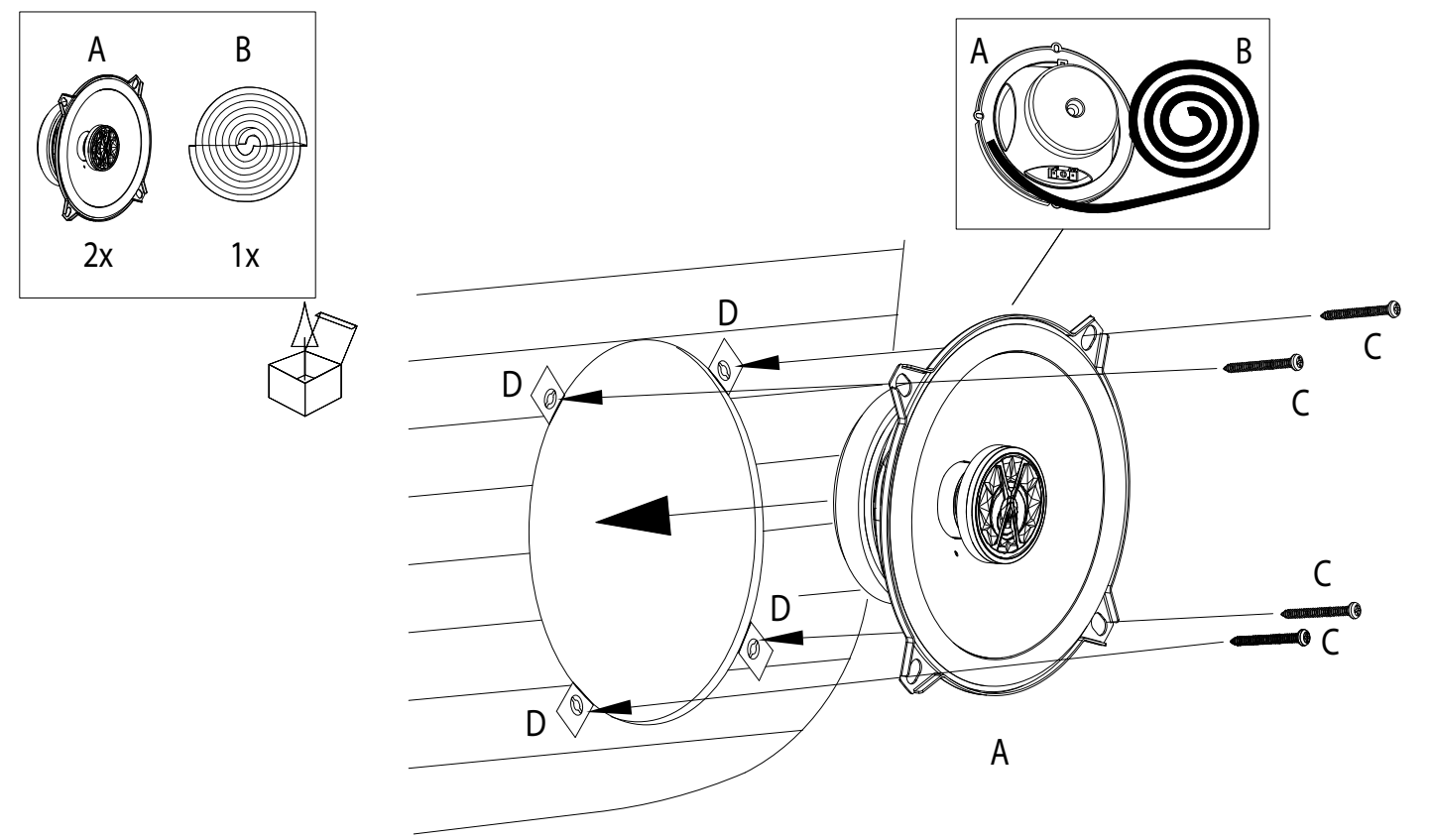
## Club 3020



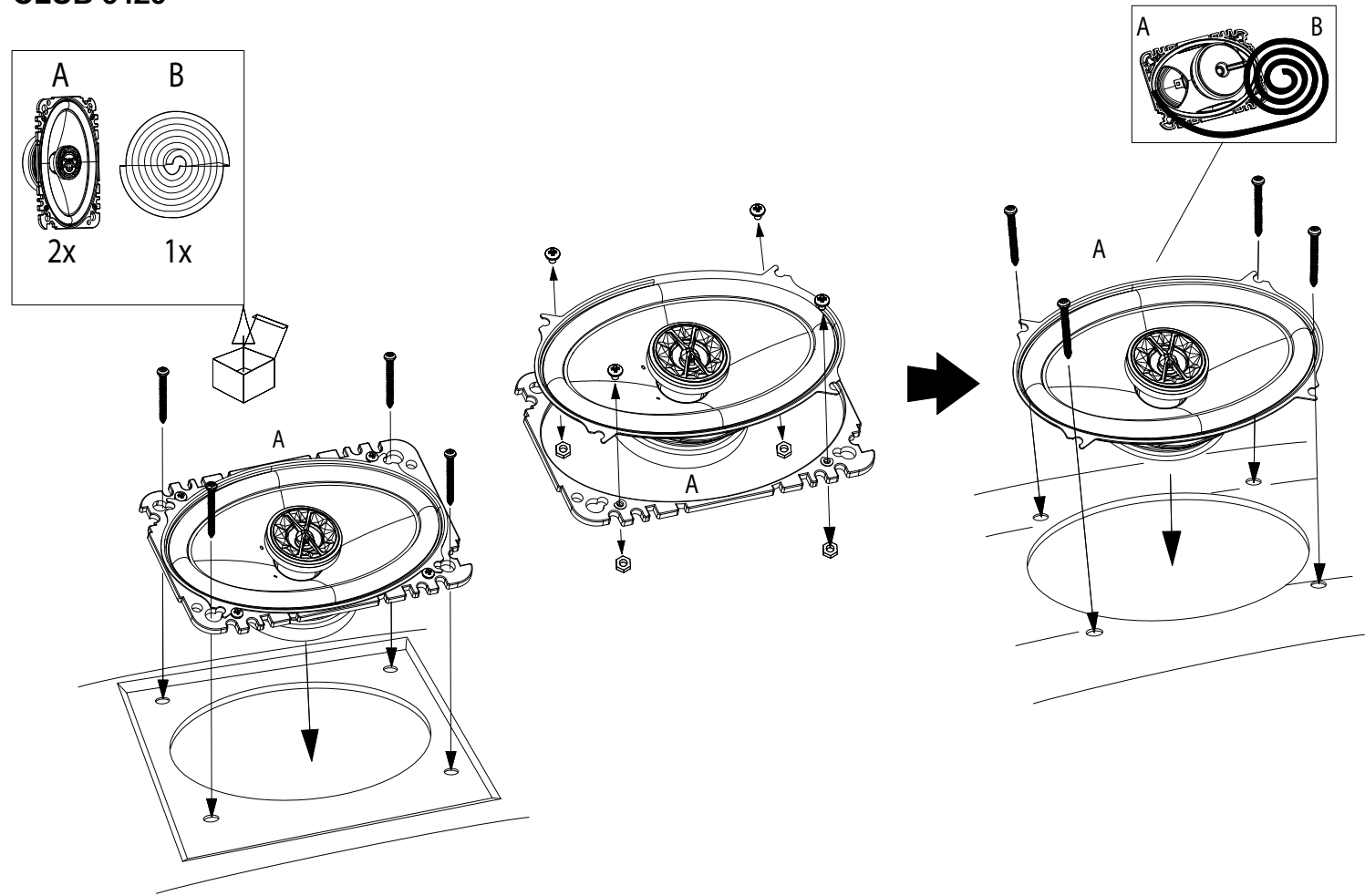
CLUB 4020



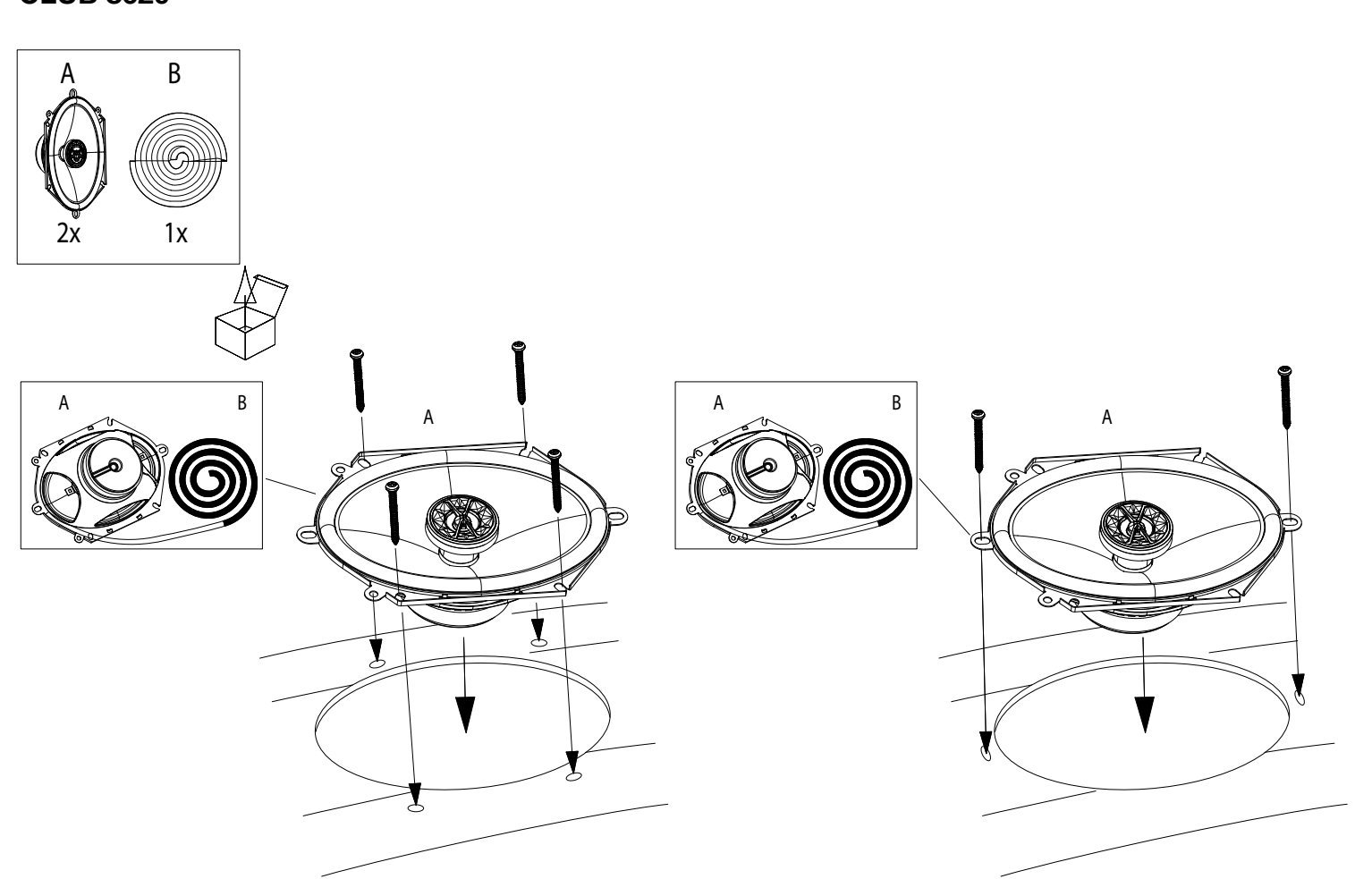
CLUB 5020



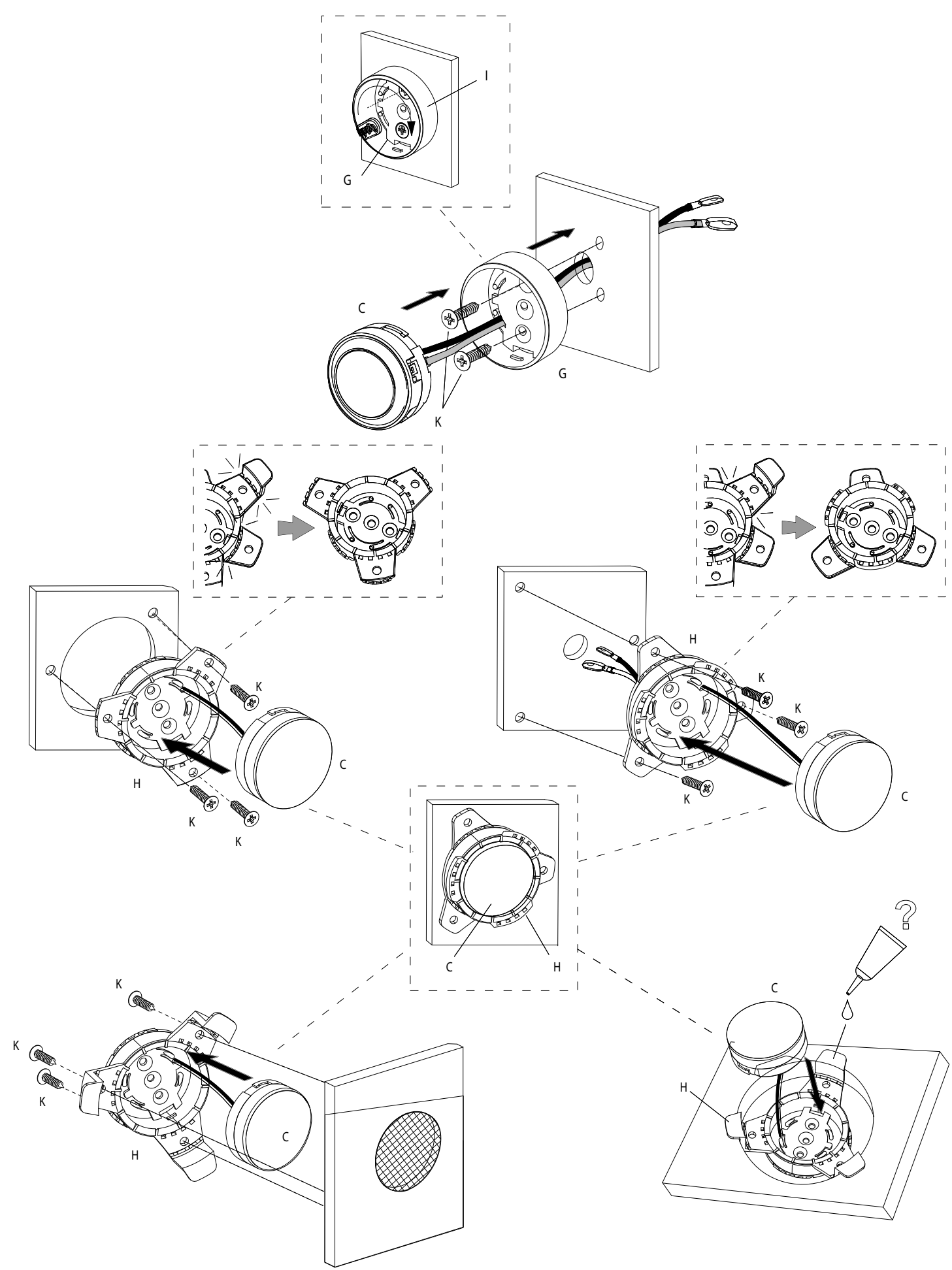
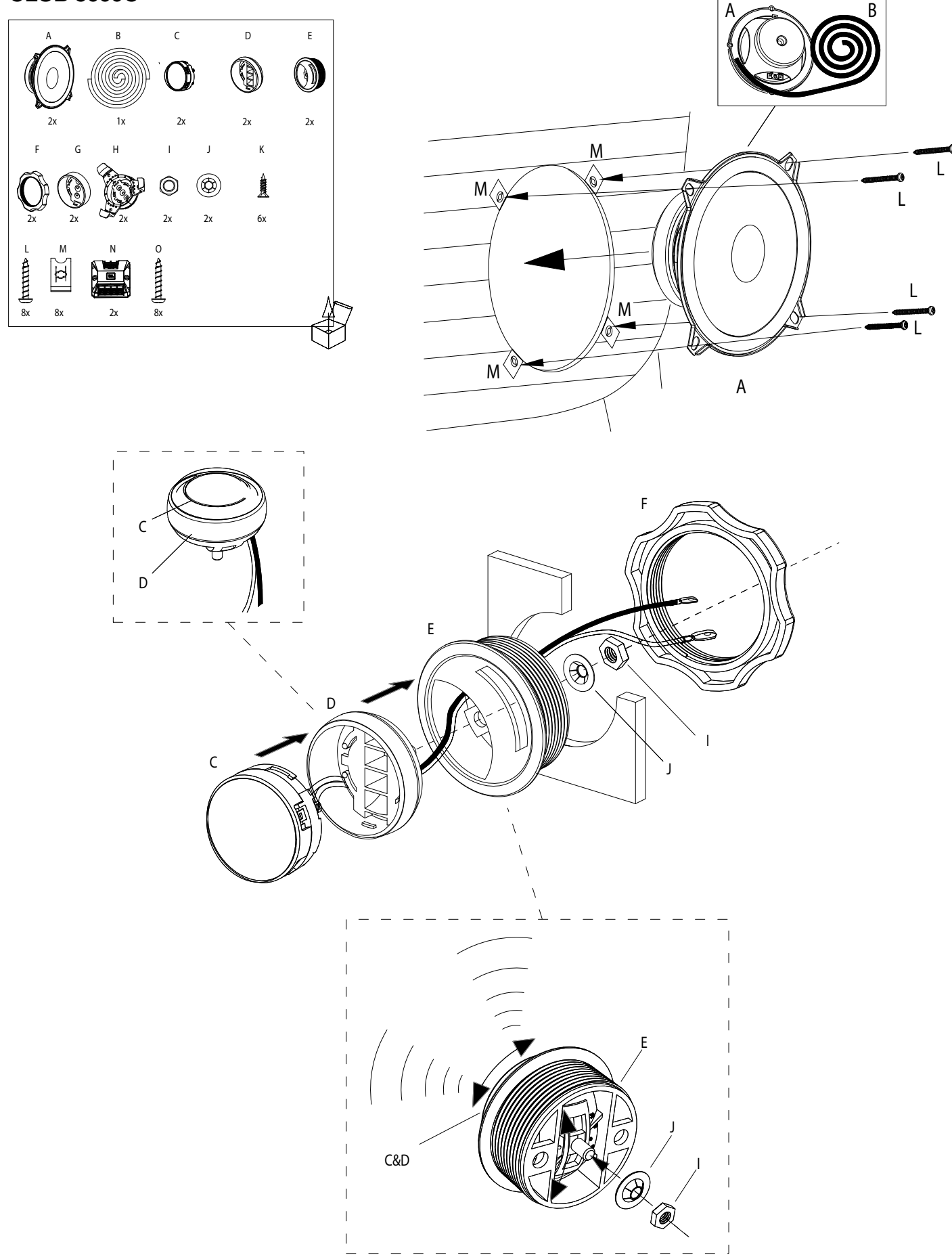
CLUB 6420



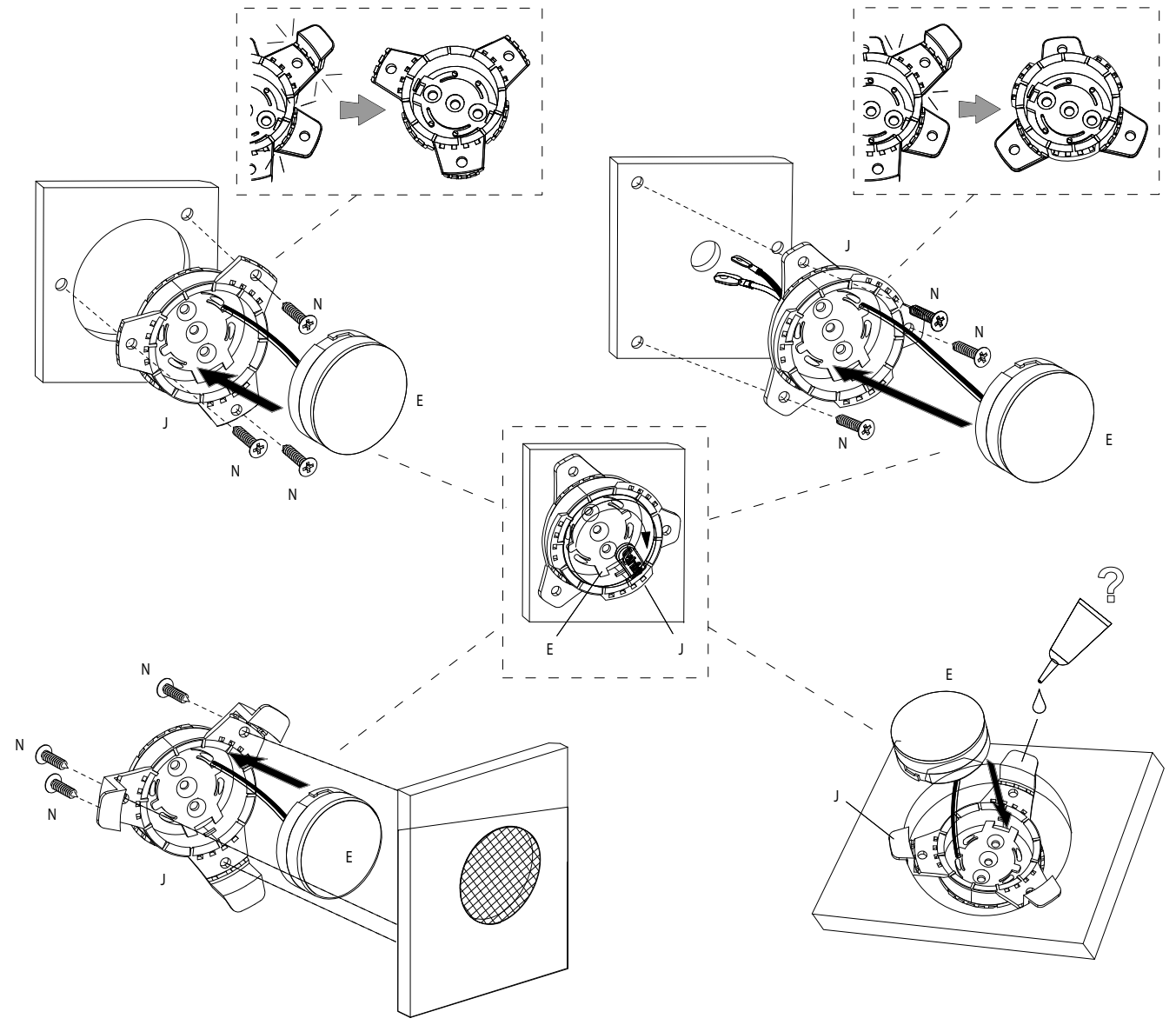
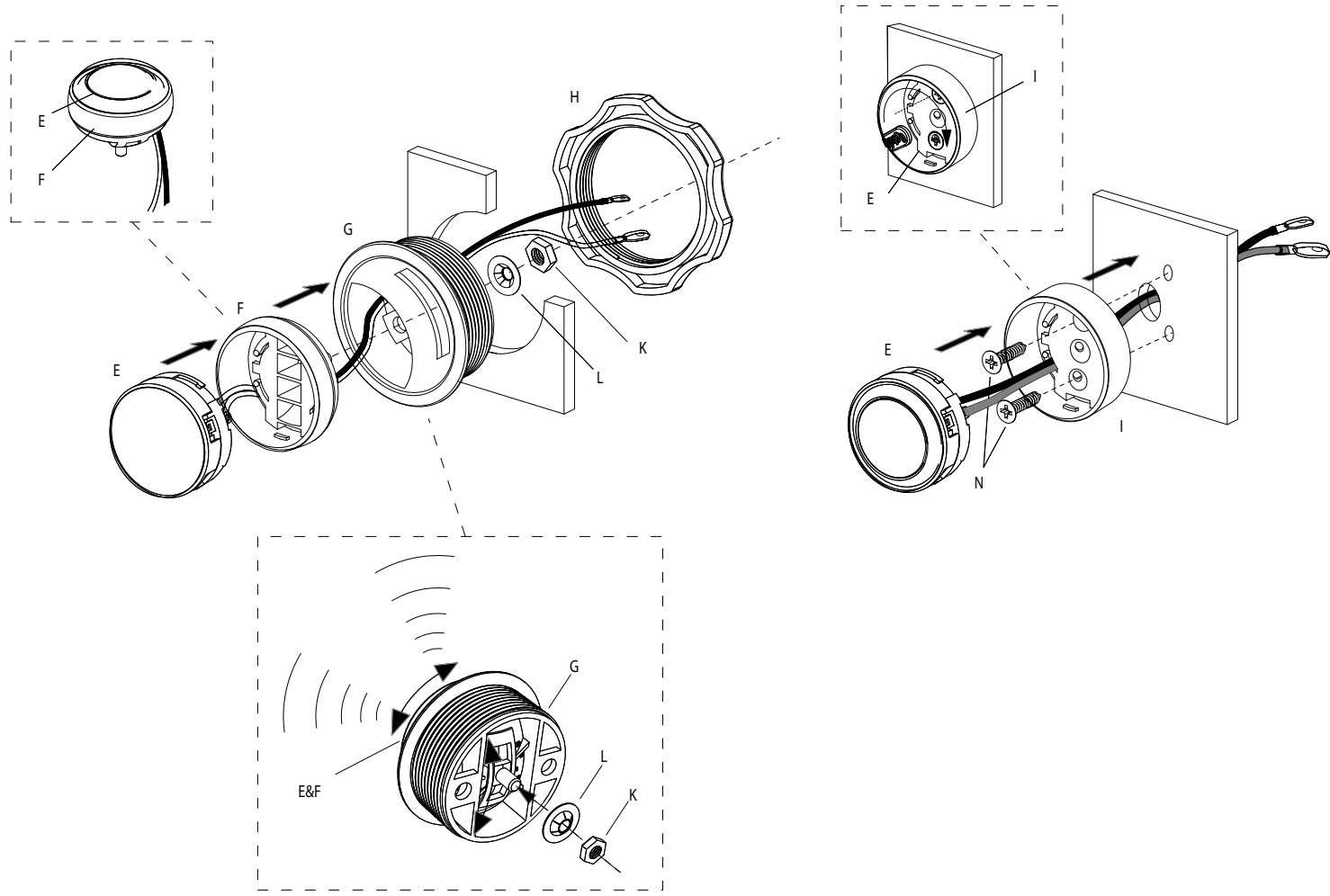
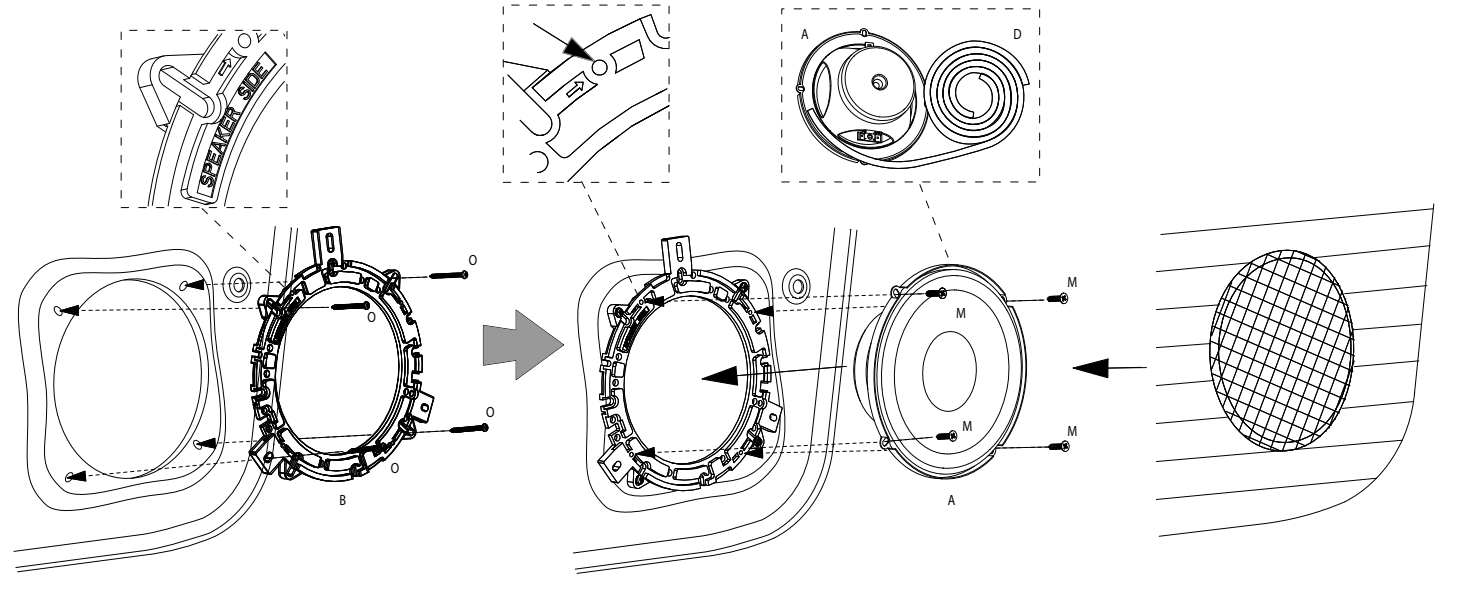
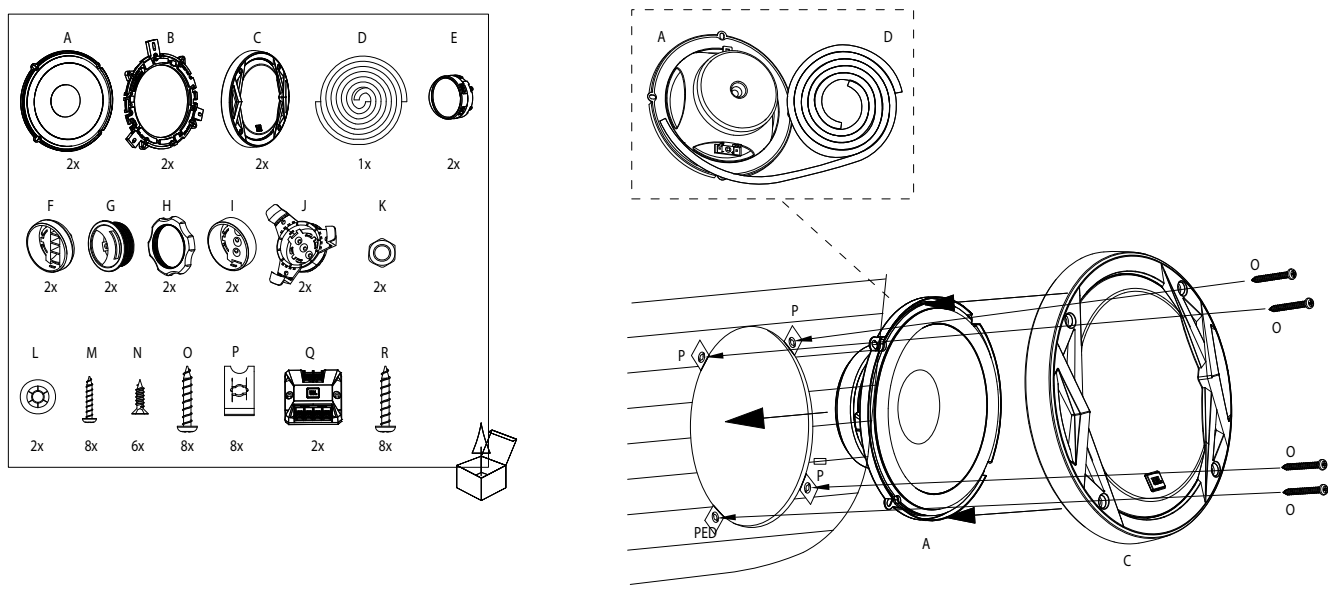
CLUB 8620



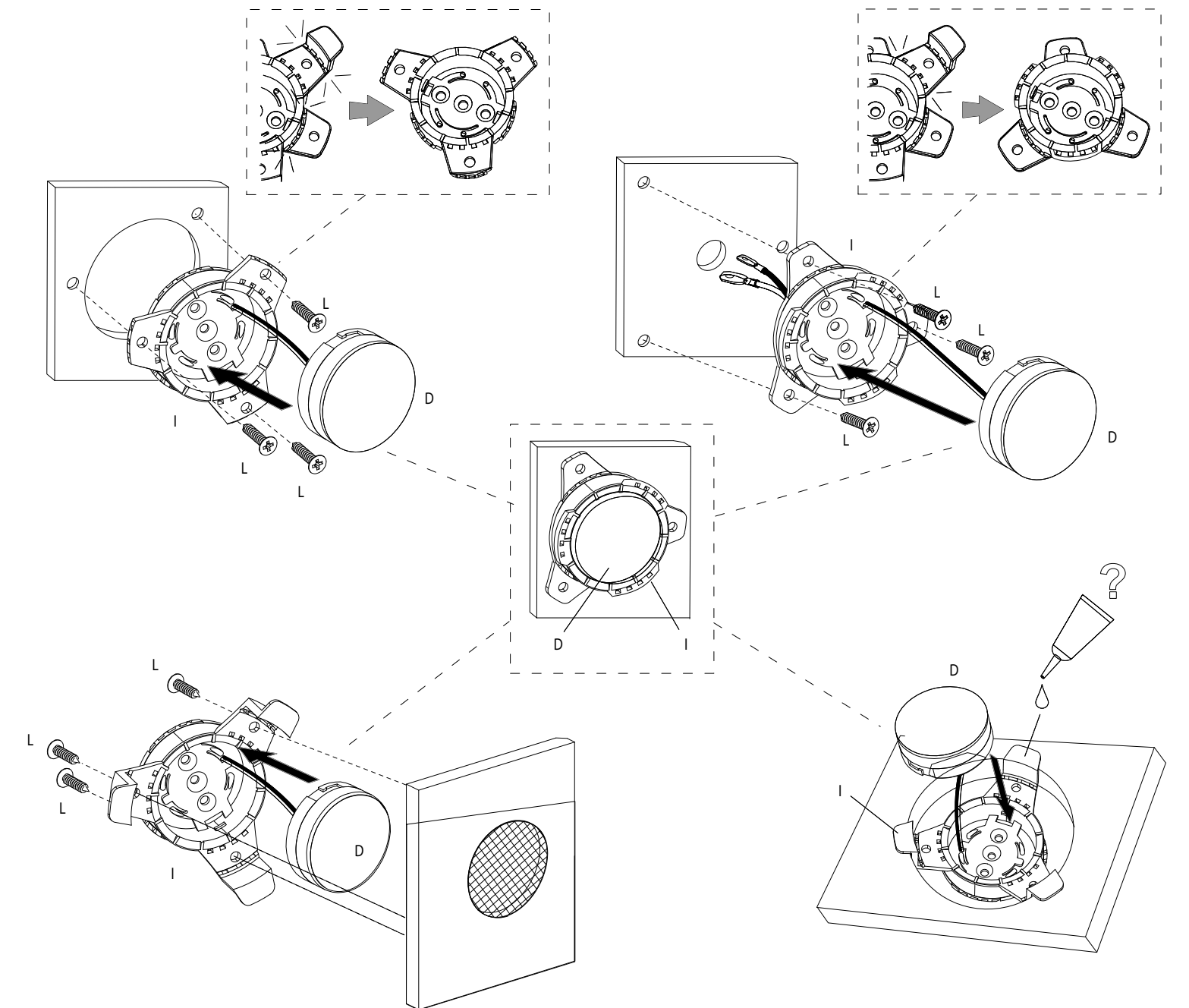
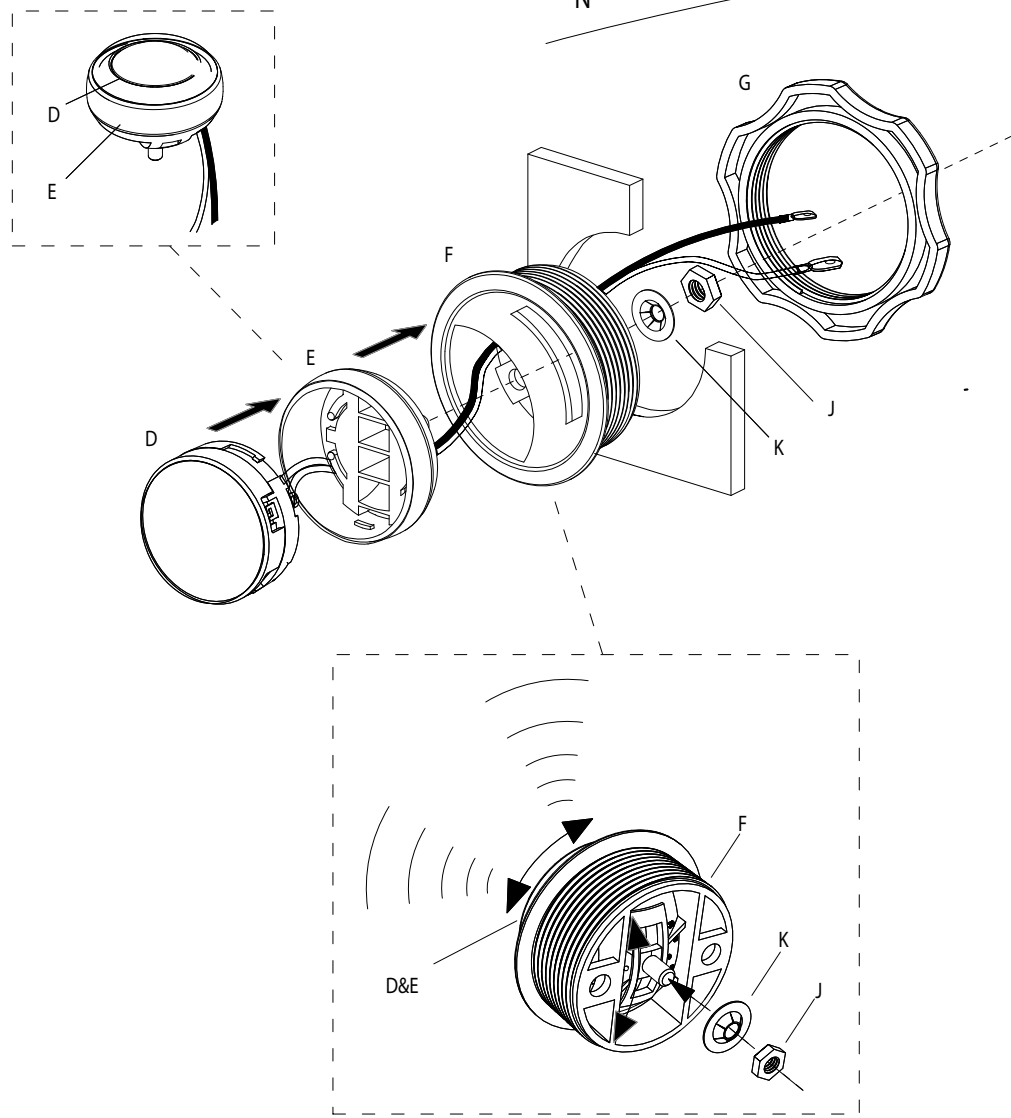
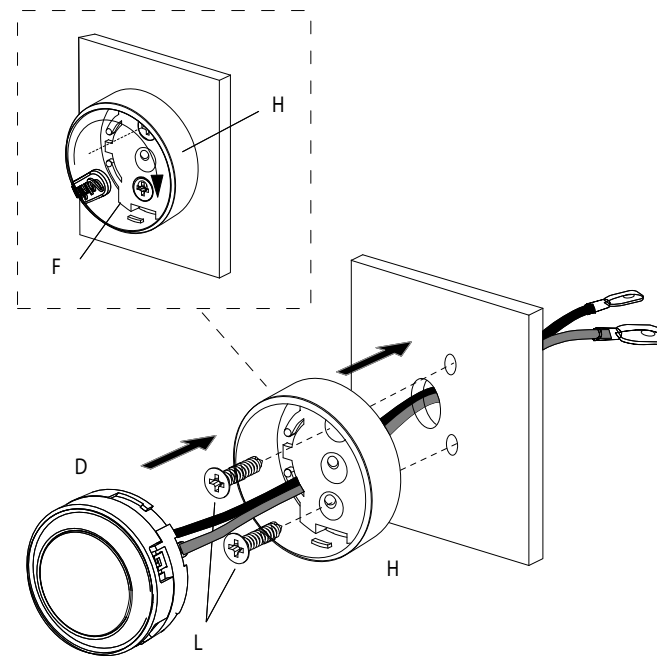
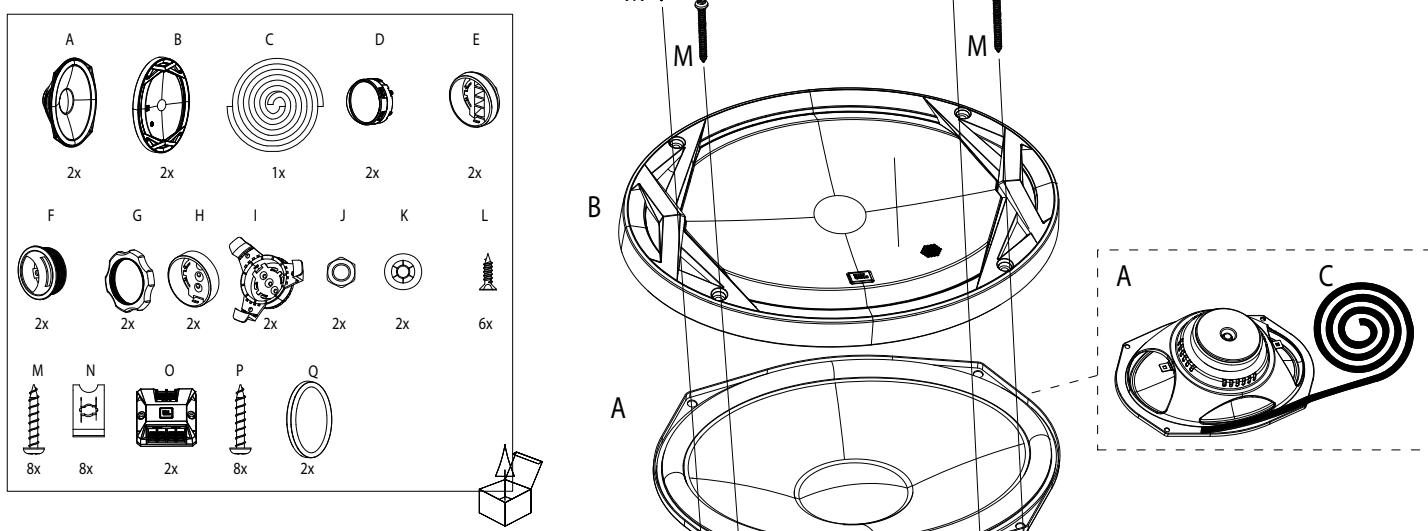
CLUB 5000C



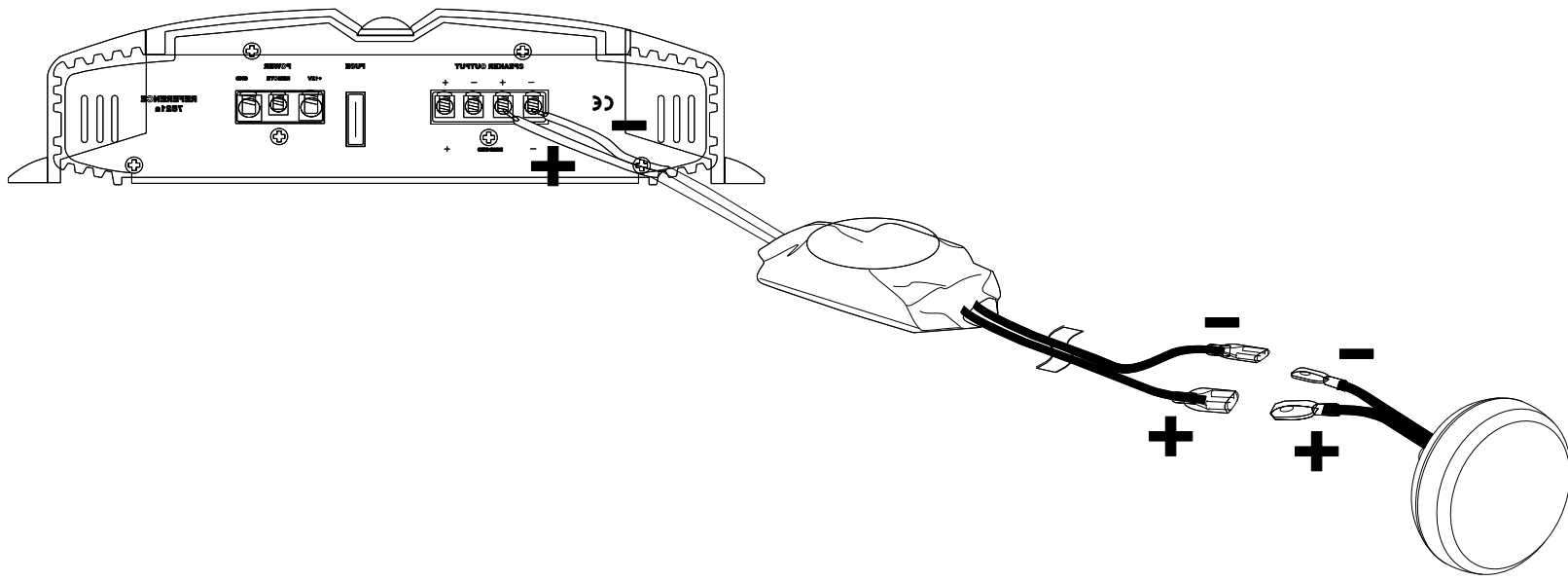
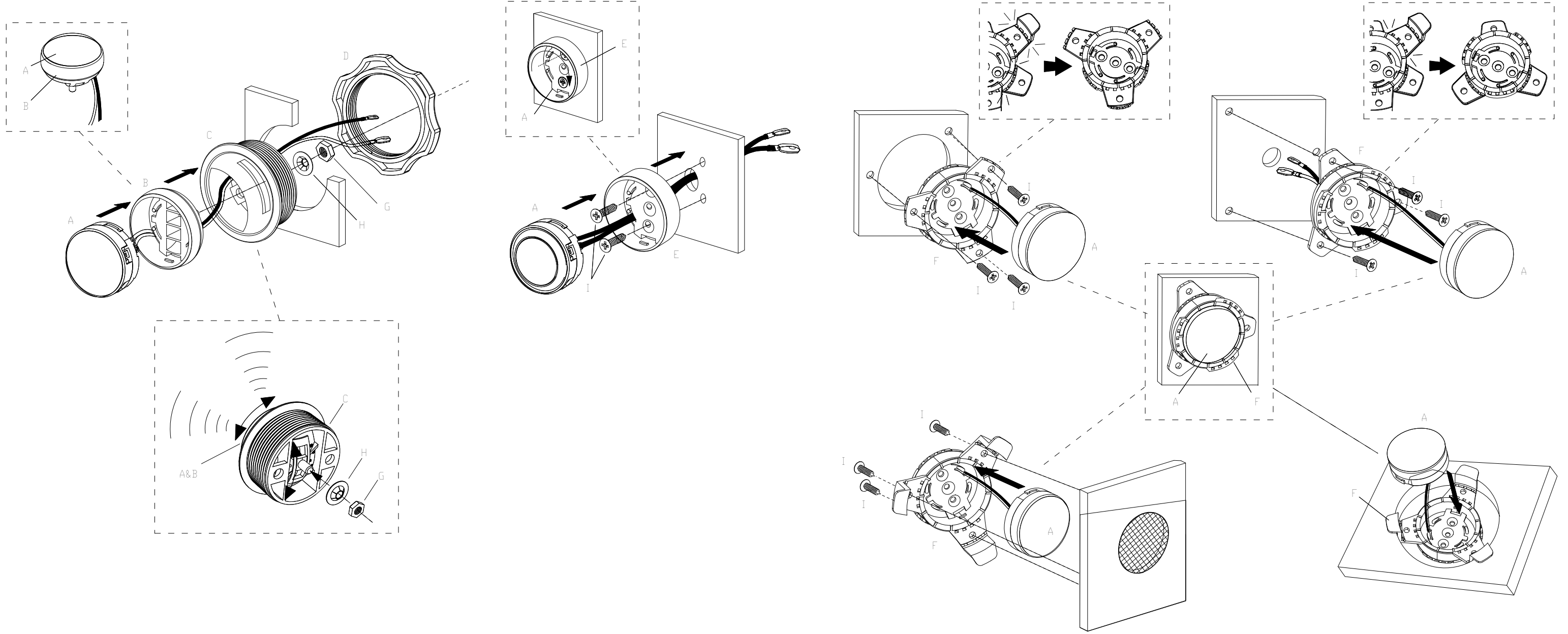
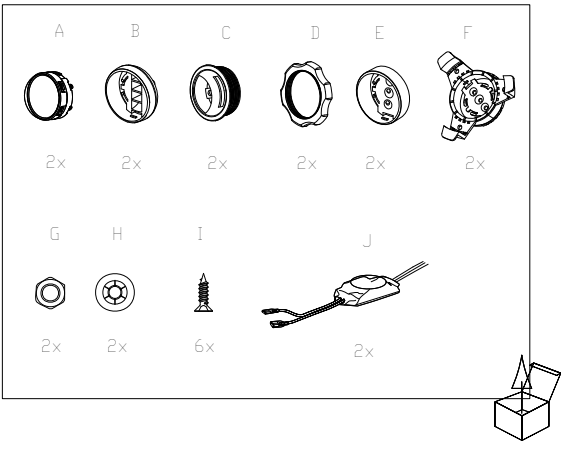
CLUB 6500C



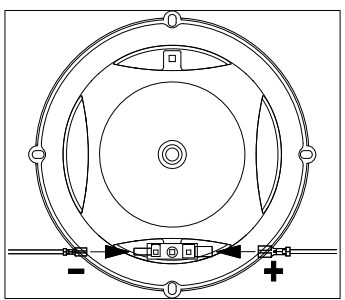
CLUB 9600C



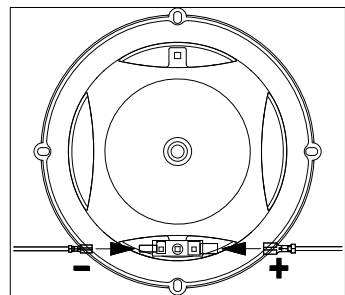
**Club 750T**



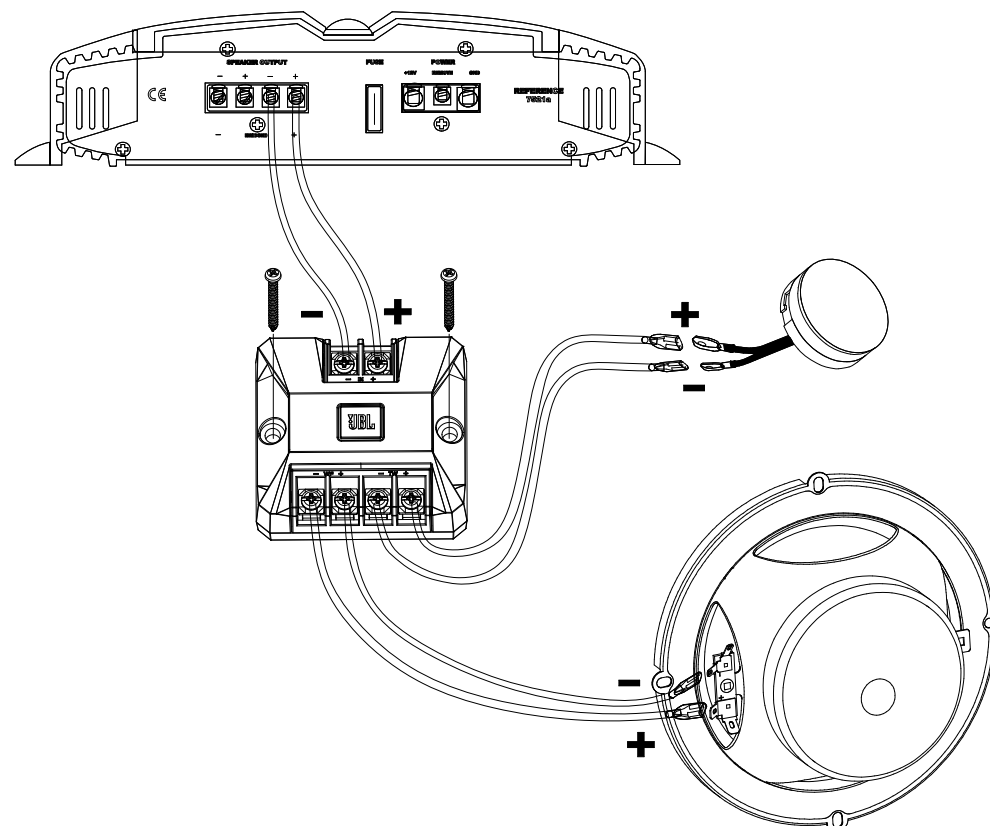
**CLUB 6420 / CLUB 8620 /  
CLUB 5020 / CLUB 6520 /  
CLUB 3020 / CLUB 4020 /  
CLUB 9630**



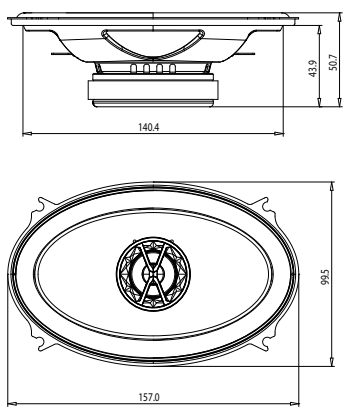
**CLUB 5000C / CLUB 6500C /  
CLUB 9600C / CLUB 750T**



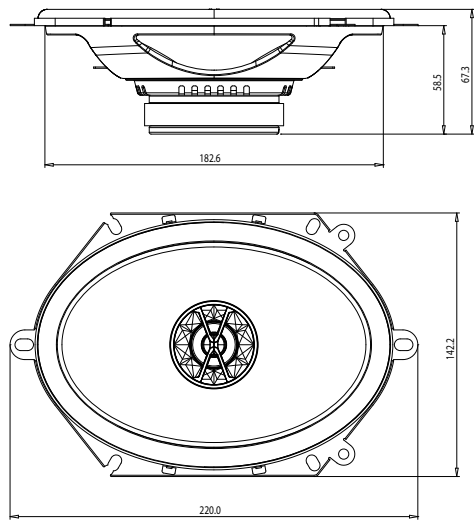
**CLUB 5000C / CLUB 6500C / CLUB 9600C**



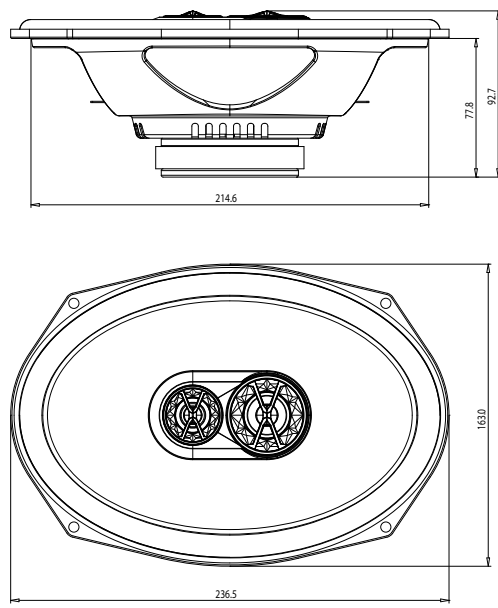
**CLUB 6420**



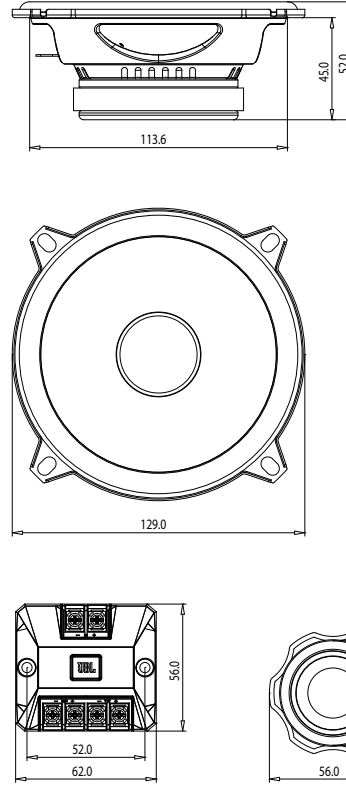
**CLUB 8620**



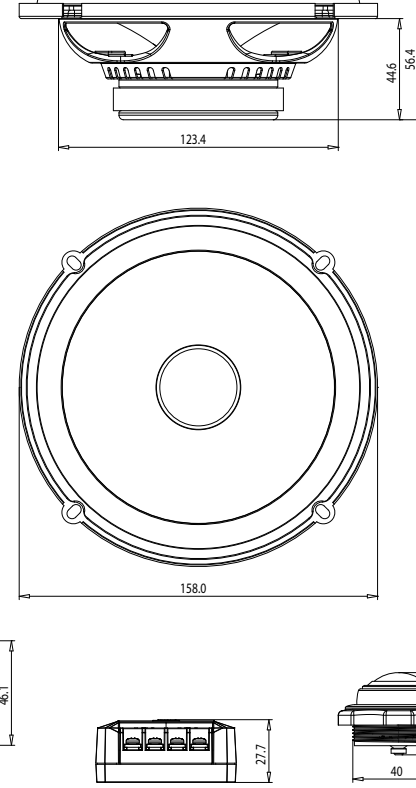
**CLUB 9630**



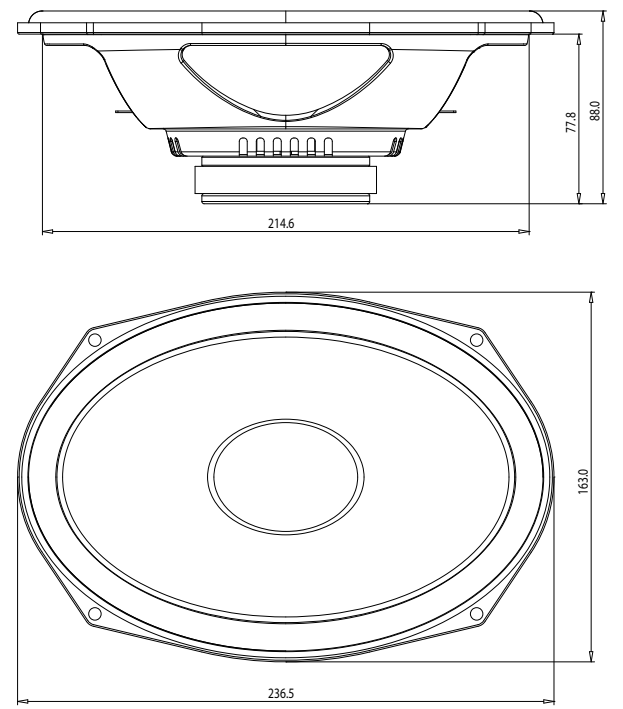
**CLUB 5000C**



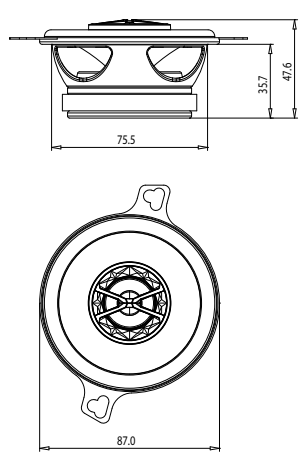
**CLUB 6500C**



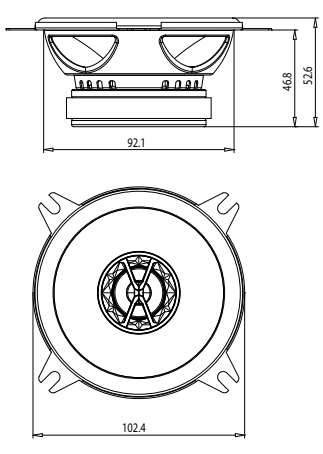
**CLUB 9600C**



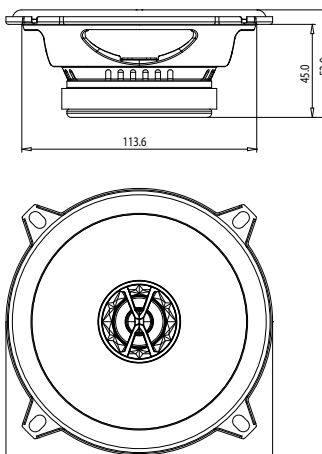
**CLUB 3020**



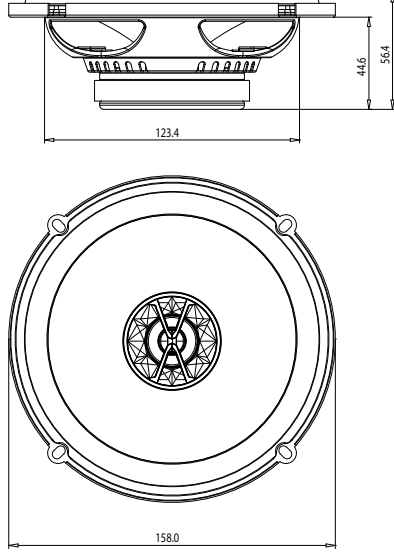
**CLUB 4020**



**CLUB 5020**



**CLUB 6520**



SPECIFICATIONS	CLUB 6520	CLUB 9630	CLUB 3020	CLUB 4020	CLUB 5020	CLUB 6420	CLUB 8620	CLUB 5000C	CLUB 6500C	CLUB 9600C	CLUB 750T
Type	6-1/2" (160mm) coaxial car speaker	6" x 9" three-way car speaker	3-1/2" (87mm) coaxial car speaker	4" (100mm) coaxial car speaker	5-1/4" (130mm) coaxial car speaker	4" x 6" coaxial car speaker	6" x 8" coaxial car speaker	5-1/4" (130mm) component speaker system	6-1/2" (160mm) component speaker system	6" x 9" component speaker system	3/4" (19mm) component tweeter
Continuous power handling	50W	80W	20W	30W	40W	30W	55W	55W	60W	90W	45W
Peak power handling	150W	240W	60W	90W	120W	105W	165W	165W	180W	270W	135W
Frequency response	55Hz-20kHz	50Hz-20kHz	90Hz-20kHz	75Hz-20kHz	75Hz-20kHz	75Hz-20kHz	65Hz-20kHz	70Hz-20kHz	55Hz-20kHz	50Hz-20kHz	3kHz-20kHz
Nominal impedance	3.0ohms	3.0ohms	3.0ohms	3.0ohms	3.0ohms	3.0ohms	3.0ohms	3.0ohms	3.0ohms	3.0ohms	3.0ohms
Sensitivity (2.83V/1m)	92dB	93dB	89dB	90dB	91dB	91dB	93dB	91dB	92dB	93dB	92dB
External diameter	6-1/4" (158mm)	9-5/16" X 6-7/16" (236.5mm X 163mm)	3-7/16" (87mm)	4-1/16" (102.4mm)	5-1/8" (129mm)	6-3/16" X 3-3/8" (157mm X 99.5mm)	8-1/16" X 5-5/8" (220mm X 142.2mm)	5-1/8" (129mm)	6-1/4" (158mm)	9-5/16" X 6-7/16" (236.5mm X 163mm)	2-1/4" (56mm)
Mounting cutout diameter	4-7/8" (123.4mm)	8-1/2" X 5-3/4" (214.6mm X 144.6mm)	3" (75.5mm)	3-11/16" (92.1mm)	4-1/2" (113.6mm)	5-9/16" X 3-3/8" (140.4mm X 85.1mm)	7-1/4" X 5" (182.6mm X 125.6mm)	4-1/2" (113.6mm)	4-7/8" (123.4mm)	8-1/2" X 5-3/4" (214.6mm X 144.6mm)	1-5/8" (40mm)
Total depth	2-1/4" (56.4mm)	3-11/16" (92.7mm)	1-7/8" (47.6mm)	2-1/8" (52.6mm)	2-1/16" (52mm)	2" (50.7mm)	2-11/16" (67.3mm)	2-1/16" (52mm)	2-1/4" (56.4mm)	3-1/2" (88mm)	1-7/16" (36.1mm)
Mounting depth	1-13/16" (44.6mm)	3-1/8" (77.8mm)	1-7/16" (35.7mm)	1-7/8" (46.8mm)	1-13/16" (45mm)	1-3/4" (43.9mm)	2-5/16" (58.5mm)	1-13/16" (45mm)	1-13/16" (44.6mm)	3-1/8" (77.8mm)	13/16" (20mm)

SPECIFICATIONS	CLUB 6520	CLUB 9630	CLUB 3020	CLUB 4020	CLUB 5020	CLUB 6420	CLUB 8620	CLUB 5000C	CLUB 6500C	CLUB 9600C	CLUB 750T
Type	Haut-parleur automobile coaxial 160mm (6-1/2")	Haut-parleur automobile trois voies 152 mm x 229 mm (6" x 9")	Haut-parleur automobile coaxial 87mm (3-1/2")	Haut-parleur automobile coaxial 100 mm (4")	Haut-parleur automobile coaxial 130 mm (5-1/4")	Haut-parleur automobile coaxial 152 mm x 203 mm (6" x 8")	Haut-parleur automobile coaxial 152 mm x 203 mm (6" x 8")	Système haut-parleur composant 130 mm (5-1/4")	Système haut-parleur composant 160 mm (6-1/2")	Système haut-parleur composant 152 mm x 229 mm (6" x 9")	Haut-parleur aigu composant 19 mm (3/4")
Puissance admissible continue	50W	80W	20W	30W	40W	30W	55W	55W	60W	90W	45W
Puissance admissible crête	150W	240W	60W	90W	120W	105W	165W	165W	180W	270W	135W
Réponse en fréquence	55Hz-20kHz	50Hz-20kHz	90Hz-20kHz	75Hz-20kHz	75Hz-20kHz	75Hz-20kHz	65Hz-20kHz	70Hz-20kHz	55Hz-20kHz	50Hz-20kHz	3kHz-20kHz
Impédance nominale	3.0ohms	3.0ohms	3.0ohms	3.0ohms	3.0ohms	3.0ohms	3.0ohms	3.0ohms	3.0ohms	3.0ohms	3.0ohms
Sensibilité (2.83V/1m)	92dB	93dB	89dB	90dB	91dB	91dB	93dB	91dB	92dB	93dB	92dB
Diamètre externe	6-1/4" (158mm)	9-5/16" X 6-7/16" (236.5mm X 163mm)	3-7/16" (87mm)	4-1/16" (102.4mm)	5-1/8" (129mm)	6-3/16" X 3-3/8" (157mm X 99.5mm)	8-1/16" X 5-5/8" (220mm X 142.2mm)	5-1/8" (129mm)	6-1/4" (158mm)	9-5/16" X 6-7/16" (236.5mm X 163mm)	2-1/4" (56mm)
Diamètre de découpe de montage	4-7/8" (123.4mm)	8-1/2" X 5-3/4" (214.6mm X 144.6mm)	3" (75.5mm)	3-11/16" (92.1mm)	4-1/2" (113.6mm)	5-9/16" X 3-3/8" (140.4mm X 85.1mm)	7-1/4" X 5" (182.6mm X 125.6mm)	4-1/2" (113.6mm)	4-7/8" (123.4mm)	8-1/2" X 5-3/4" (214.6mm X 144.6mm)	1-5/8" (40mm)
Profondeur totale	2-1/4" (56.4mm)	3-11/16" (92.7mm)	1-7/8" (47.6mm)	2-1/8" (52.6mm)	2-1/16" (52mm)	2" (50.7mm)	2-11/16" (67.3mm)	2-1/16" (52mm)	2-1/4" (56.4mm)	3-1/2" (88mm)	1-7/16" (36.1mm)
Profondeur de montage	1-13/16" (44.6mm)	3-1/8" (77.8mm)	1-7/16" (35.7mm)	1-7/8" (46.8mm)	1-13/16" (45mm)	1-3/4" (43.9mm)	2-5/16" (58.5mm)	1-13/16" (45mm)	1-13/16" (44.6mm)	3-1/8" (77.8mm)	13/16" (20mm)

TECHNISCHE DATEN	CLUB 6520	CLUB 9630	CLUB 3020	CLUB 4020	CLUB 5020	CLUB 6420	CLUB 8620	CLUB 5000C	CLUB 6500C	CLUB 9600C	CLUB 750T
Typ	Koaxial-Lautsprecher fürs Auto (160mm)	Dringel-Lautsprecher fürs Auto (6" x 9")	Koaxial-Lautsprecher fürs Auto (87mm)	Koaxial-Lautsprecher fürs Auto (100mm)	Koaxial-Lautsprecher fürs Auto (130mm)	Koaxial-Lautsprecher fürs Auto (4" x 6")	Koaxial-Lautsprecher fürs Auto (6" x 8")	Component-Lautsprecher-System (130mm)	Component-Lautsprecher-System (160mm)	Component-Lautsprecher-System (6" x 9")	Component-Hochtöner (19mm)
Kontinuierliche Leistung	50W	80W	20W	30W	40W	30W	55W	55W	60W	90W	45W
Spitzenleistung	150W	240W	60W	90W	120W	105W	165W	165W	180W	270W	135W
Frequenzbereich	55Hz-20kHz	50Hz-20kHz	90Hz-20kHz	75Hz-20kHz	75Hz-20kHz	75Hz-20kHz	65Hz-20kHz	70Hz-20kHz	55Hz-20kHz	50Hz-20kHz	3kHz-20kHz
Nennimpedanz	3.0ohms	3.0ohms	3.0ohms	3.0ohms	3.0ohms	3.0ohms	3.0ohms	3.0ohms	3.0ohms	3.0ohms	3.0ohms
Empfindlichkeit (2.83V/1m)	92dB	93dB	89dB	90dB	91dB	91dB	93dB	91dB	92dB	93dB	92dB
Äußerer Durchmesser	6-1/4" (158mm)	9-5/16" X 6-7/16" (236.5mm X 163mm)	3-7/16" (87mm)	4-1/16" (102.4mm)	5-1/8" (129mm)	6-3/16" X 3-3/8" (157mm X 99.5mm)	8-1/16" X 5-5/8" (220mm X 142.2mm)	5-1/8" (129mm)	6-1/4" (158mm)	9-5/16" X 6-7/16" (236.5mm X 163mm)	2-1/4" (56mm)
Montageausschnitt-Durchmesser	4-7/8" (123.4mm)	8-1/2" X 5-3/4" (214.6mm X 144.6mm)	3" (75.5mm)	3-11/16" (92.1mm)	4-1/2" (113.6mm)	5-9/16" X 3-3/8" (140.4mm X 85.1mm)	7-1/4" X 5" (182.6mm X 125.6mm)	4-1/2" (113.6mm)	4-7/8" (123.4mm)	8-1/2" X 5-3/4" (214.6mm X 144.6mm)	1-5/8" (40mm)
Gesamttiefe	2-1/4" (56.4mm)	3-11/16" (92.7mm)	1-7/8" (47.6mm)	2-1/8" (52.6mm)	2-1/16" (52mm)	2" (50.7mm)	2-11/16" (67.3mm)	2-1/16" (52mm)	2-1/4" (56.4mm)	3-1/2" (88mm)	1-7/16" (36.1mm)
Montagetiefe	1-13/16" (44.6mm)	3-1/8" (77.8mm)	1-7/16" (35.7mm)	1-7/8" (46.8mm)	1-13/16" (45mm)	1-3/4" (43.9mm)	2-5/16" (58.5mm)	1-13/16" (45mm)	1-13/16" (44.6mm)	3-1/8" (77.8mm)	13/16" (20mm)

SPECIFICHE	CLUB 6520	CLUB 9630	CLUB 3020	CLUB 4020	CLUB 5020	CLUB 6420	CLUB 8620	CLUB 5000C	CLUB 6500C	CLUB 9600C	CLUB 750T
Descrizione	Diffusore Coassiale Car Auto da 160mm	Diffusore Car Auto a 6" x 9"	Diffusore Coassiale Car Auto da 87mm	Diffusore Coassiale Car Auto da 100mm	Diffusore Coassiale Car Auto da 130mm	Diffusore Coassiale Car Auto 4" x 6"	Diffusore Coassiale Car Auto 6" x 8"	Componenti a componenti da 130mm	Systema a componenti da 160mm	Systema a componenti da 6" x 9"	Tweeter da 19mm
Tendenza in potenza continua	50W	80W	20W	30W	40W	30W	55W	55W	60W	90W	45W
Tendenza in potenza, picco	150W	240W	60W	90W	120W	105W	165W	165W	180W	270W	135W
Risposta in frequenza	55Hz-20kHz	50Hz-20kHz	90Hz-20kHz	75Hz-20kHz	75Hz-20kHz	75Hz-20kHz	65Hz-20kHz	70Hz-20kHz	55Hz-20kHz	50Hz-20kHz	3kHz-20kHz
Impedenza nominale	3.0ohms	3.0ohms	3.0ohms	3.0ohms	3.0ohms	3.0ohms	3.0ohms	3.0ohms	3.0ohms	3.0ohms	3.0ohms
Sensibilità (2.83 V/1m)	92dB	93dB	89dB	90dB	91dB	91dB	93dB	91dB	92dB	93dB	92dB
Diametro esterno	6-1/4" (158mm)	9-5/16" X 6-7/16" (236.5mm X 163mm)	3-7/16" (87mm)	4-1/16" (102.4mm)	5-1/8" (129mm)	6-3/16" X 3-3/8" (157mm X 99.5mm)	8-1/16" X 5-5/8" (220mm X 142.2mm)	5-1/8" (129mm)	6-1/4" (158mm)	9-5/16" X 6-7/16" (236.5mm X 163mm)	2-1/4" (56mm)
Diametro foro per montaggio	4-7/8" (123.4mm)	8-1/2" X 5-3/4" (214.6mm X 144.6mm)	3" (75.5mm)	3-11/16" (92.1mm)	4-1/2" (113.6mm)	5-9/16" X 3-3/8" (140.4mm X 85.1mm)	7-1/4" X 5" (182.6mm X 125.6mm)	4-1/2" (113.6mm)	4-7/8" (123.4mm)	8-1/2" X 5-3/4" (214.6mm X 144.6mm)	1-5/8" (40mm)
Profondità totale	2-1/4" (56.4mm)	3-11/16" (92.7mm)	1-7/8" (47.6mm)	2-1/8" (52.6mm)	2-1/16" (52mm)	2" (50.7mm)	2-11/16" (67.3mm)	2-1/16" (52mm)	2-1/4" (56.4mm)	3-1/2" (88mm)	1-7/16" (36.1mm)
Profondità di montaggio	1-13/16" (44.6mm)	3-1/8" (77.8mm)	1-7/16" (35.7mm)	1-7/8" (46.8mm)	1-13/16" (45mm)	1-3/4" (43.9mm)	2-5/16" (58.5mm)	1-13/16" (45mm)	1-13/16" (44.6mm)	3-1/8" (77.8mm)	13/16" (20mm)

TEKNISET TIEDOT	CLUB 6520	CLUB 9630	CLUB 3020	CLUB 4020	CLUB 5020	CLUB 6420	CLUB 8620	CLUB 5000C	CLUB 6500C	CLUB 9600C	CLUB 750T
Typ	6-1/2" (160mm) koaksiaalinen autokäyttö	6" x 9" kolmeväkijärjestelmä	3-1/2" (87mm) koaksiaalinen autokäyttö	4" (100mm) koaksiaalinen autokäyttö	5-1/4" (130mm) koaksiaalinen autokäyttö	4" x 6" koaksiaalinen autokäyttö	6" x 8" koaksiaalinen autokäyttö	5-1/4" (130mm) komponentti-järjestelmä	6-1/2" (160mm) komponentti-järjestelmä	6" x 9" komponentti-järjestelmä	3/4" (19mm) komponentti-diskantti
Tehonkesto jatkuva	50W	80W	20W	30W	40W	30W	55W	55W	60W	90W	45W
Tehonkesto huippu	150W	240W	60W	90W	120W	105W	165W	165W	180W	270W	135W
Tajuuksuvaste	55Hz-20kHz	50Hz-20kHz	90Hz-20kHz	75Hz-20kHz	75Hz-20kHz	75Hz-20kHz	65Hz-20kHz	70Hz-20kHz	55Hz-20kHz	50Hz-20kHz	3kHz-20kHz
Nimellimpedanssi	3.0ohms	3.0ohms	3.0ohms	3.0ohms	3.0ohms	3.0ohms	3.0ohms	3.0ohms	3.0ohms	3.0ohms	3.0ohms
Herkkisyys (2.83 V/1m)	92dB	93dB	89dB	90dB	91dB	91dB	93dB	91dB	92dB	93dB	92dB
Ulkonnen halkaisija	6-1/4" (158mm)	9-5/16" X 6-7/16" (236.5mm X 163mm)	3-7/16" (87mm)	4-1/16" (102.4mm)	5-1/8" (129mm)	6-3/16" X 3-3/8" (157mm X 99.5mm)	8-1/16" X 5-5/8" (220mm X 142.2mm)	5-1/8" (129mm)	6-1/4" (158mm)	9-5/16" X 6-7/16" (236.5mm X 163mm)	2-1/4" (56mm)
Asennusaukon halkaisija	4-7/8" (123.4mm)	8-1/2" X 5-3/4" (214.6mm X 144.6mm)	3" (75.5mm)	3-11/16" (92.1mm)	4-1/2" (113.6mm)	5-9/16" X 3-3/8" (140.4mm X 85.1mm)	7-1/4" X 5" (182.6mm X 125.6mm)	4-1/2" (113.6mm)	4-7/8" (123.4mm)	8-1/2" X 5-3/4" (214.6mm X 144.6mm)	1-5/8" (40mm)
Kokonaisyvyys	2-1/4" (56.4mm)	3-11/16" (92.7mm)	1-7/8" (47.6mm)	2-1/8" (52.6mm)	2-1/16" (52mm)	2" (50.7mm)	2-11/16" (67.3mm)	2-1/16" (52mm)	2-1/4" (56.4mm)	3-1/2" (88mm)	1-7/16" (36.1mm)
Monting depth	1-13/16" (44.6mm)	3-1/8" (77.8mm)	1-7/16" (35.7mm)	1-7/8" (46.8mm)	1-13/16" (45mm)	1-3/4" (43.9mm)	2-5/16" (58.5mm)	1-13/16" (45mm)	1-13/16" (44.6mm)	3-1/8" (77.8mm)	13/16" (20mm)

ESPECIFICACIONES	CLUB 6520	CLUB 9630	CLUB 3020	CLUB 4020	CLUB 5020	CLUB 6420	CLUB 8620	CLUB 5000C	CLUB 6500C	CLUB 9600C	CLUB 750T
Typo	Altavoz para automóvil coaxial de 6-1/2" (160 mm)	Altavoz para automóvil de tres vías de 6" x 9"	Altavoz para automóvil coaxial de 3-1/2" (87 mm)	Altavoz para automóvil coaxial de 4" (100 mm)	Altavoz para automóvil coaxial de 5-1/4" (130 mm)	Altavoz para automóvil coaxial de 4" x 6"	Altavoz para automóvil coaxial de 6" x 8"	Sistema de altavoces de componentes de 5-1/4" (130 mm)	Sistema de altavoces de componentes de 6-1/2" (160 mm)	Altavoz para automóvil coaxial de 6" x 9"	Altavoz de agudos de componentes 3/4" (19 mm)
Gestión de potencia máxima continua	50W	80W	20W	30W	40W	35W	55W	55W	60W	90W	45W
Gestión de potencia pico	150W	240W	60W	90W	120W	105W	165W	165W	180W	270W	135W
Intervalo de frecuencias	55Hz-20kHz	50Hz-20kHz	90Hz-20kHz	75Hz-20kHz	75Hz-20kHz	75Hz-					

ТЕХНИЧЕСКИЕ ХАРАКТЕРИСТИКИ	CLUB 6520	CLUB 9630	CLUB 3020	CLUB 4020	CLUB 5020	CLUB 6420	CLUB 8620	CLUB 5000C	CLUB 6500C	CLUB 9600C	CLUB 750T
<b>Тип</b>	Классический автомобильный динамик размером 160 мм (6 1/2 дюйма)	Углубленный автомобильный динамик размером 87 мм (3 1/2 дюйма)	Классический автомобильный динамик размером 87 мм (3 1/2 дюйма)	Классический автомобильный динамик размером 100 мм (4 дюйма)	Классический автомобильный динамик размером 130 мм (5 1/4 дюйма)	Классический автомобильный динамик размером 105 мм (4 1/8 дюйма)	Классический автомобильный динамик размером 142,2 мм (5 6/8 дюйма)	Классическая система динамик размером 130 мм (5 1/4 дюйма)	Классическая система динамик размером 160 мм (6 1/2 дюйма)	Классическая система динамик размером 160 мм (6 1/2 дюйма)	Компактный высокочастотный динамик размером 79 мм (3 дюйма)
<b>Постоянная мощность</b>	50W	80W	20W	30W	40W	35W	55W	55W	60W	90W	45W
<b>Пиковая мощность</b>	150W	240W	60W	90W	120W	105W	165W	165W	180W	270W	135W
<b>Эффективный рабочий диапазон частот</b>	55Hz-20kHz	50Hz-20kHz	90Hz - 20kHz	75Hz - 20kHz	75Hz - 20kHz	75Hz-20kHz	65Hz - 20kHz	70Hz-20kHz	55Hz - 20kHz	50Hz - 20kHz	3kHz - 20kHz
<b>Номинальный импеданс</b>	3.0ohms	3.0ohms	3.0ohms	3.0ohms	3.0ohms	3.0ohms	3.0ohms	3.0ohms	3.0ohms	3.0ohms	3.0ohms
<b>Чувствительность (2.83 В/1 м)</b>	92dB	93dB	89dB	90dB	91dB	93dB	93dB	91dB	92dB	93dB	92dB
<b>Внешний диаметр</b>	6-1/4" (158mm)	9-5/16" X 6-7/16" (236.5mm X 163mm)	3-7/16" (87mm)	4-1/16" (102.4mm)	5-1/8" (129mm)	6-3/16" X 3-15/16" (157mm X 99.5mm)	8-1/16" X 5-5/8" (220mm X 142.2mm)	5-1/8" (129mm)	6-1/4" (158mm)	9-5/16" X 6-7/16" (236.5mm X 163mm)	2-1/4" (56mm)
<b>Диаметр выемки для установки</b>	4-7/8" (123.4mm)	8-1/2" X 5-3/4" (214.6mm X 144.6mm)	3" (75.5mm)	3-11/16" (92.1mm)	4-1/2" (113.6mm)	5-9/16" X 3-3/8" (140.4mm X 85.1mm)	7-1/4" X 5" (182.6mm X 125.6mm)	4-1/2" (113.6mm)	4-7/8" (123.4mm)	8-1/2" X 5-3/4" (214.6mm X 144.6mm)	1-5/8" (40mm)
<b>Общая глубина</b>	2-1/4" (56.4mm)	3-11/16" (92.7mm)	1-7/8" (47.6mm)	2-1/8" (52.6mm)	2-1/16" (52mm)	2" (50.7mm)	2-11/16" (67.3mm)	2-1/16" (52mm)	2-1/4" (56.4mm)	3-1/2" (88mm)	1-7/16" (36.1mm)
<b>Глубина установки</b>	1-13/16" (44.6mm)	3-1/8" (77.8mm)	1-7/16" (35.7mm)	1-7/8" (46.8mm)	1-13/16" (45mm)	1-3/4" (43.9mm)	2-5/16" (58.5mm)	1-13/16" (45mm)	1-13/16" (44.6mm)	3-1/8" (77.8mm)	13/16" (20mm)

仕様書	CLUB 6520	CLUB 9630	CLUB 3020	CLUB 4020	CLUB 5020	CLUB 6420	CLUB 8620	CLUB 5000C	CLUB 6500C	CLUB 9600C	CLUB 750T
<b>型</b>	6-1/2インチ(160mm) 同軸カースピーカー	6インチx6インチx3/4インチカースピーカー	3-1/2インチ(87mm) 同軸カースピーカー	4インチ(100mm) 同軸カースピーカー	5-1/4インチ(130mm) 同軸カースピーカー	4インチx6インチ同軸カースピーカー	6インチx6インチ同軸カースピーカー	5-1/4インチ(130mm) コンポーネントシステム	6-1/2インチ(160mm) コンポーネントシステム	6インチx6インチx3/4インチコンポーネントシステム	3/4インチ(19mm) コンポーネントツイーター
<b>連続許容入力</b>	50W	80W	20W	30W	40W	35W	55W	55W	60W	90W	45W
<b>ピーク許容入力</b>	150W	240W	60W	90W	120W	105W	165W	165W	180W	270W	135W
<b>周波数特性</b>	55Hz-20kHz	50Hz-20kHz	90Hz - 20kHz	75Hz - 20kHz	75Hz - 20kHz	75Hz-20kHz	65Hz - 20kHz	70Hz-20kHz	55Hz - 20kHz	50Hz - 20kHz	3kHz - 20kHz
<b>公称インピーダンス</b>	3.0ohms	3.0ohms	3.0ohms	3.0ohms	3.0ohms	3.0ohms	3.0ohms	3.0ohms	3.0ohms	3.0ohms	3.0ohms
<b>感度(2.83V/1m)</b>	92dB	93dB	89dB	90dB	91dB	93dB	93dB	91dB	92dB	93dB	92dB
<b>外部直径</b>	6-1/4" (158mm)	9-5/16" X 6-7/16" (236.5mm X 163mm)	3-7/16" (87mm)	4-1/16" (102.4mm)	5-1/8" (129mm)	6-3/16" X 3-15/16" (157mm X 99.5mm)	8-1/16" X 5-5/8" (220mm X 142.2mm)	5-1/8" (129mm)	6-1/4" (158mm)	9-5/16" X 6-7/16" (236.5mm X 163mm)	2-1/4" (56mm)
<b>取り付けカットアウト直径</b>	4-7/8" (123.4mm)	8-1/2" X 5-3/4" (214.6mm X 144.6mm)	3" (75.5mm)	3-11/16" (92.1mm)	4-1/2" (113.6mm)	5-9/16" X 3-3/8" (140.4mm X 85.1mm)	7-1/4" X 5" (182.6mm X 125.6mm)	4-1/2" (113.6mm)	4-7/8" (123.4mm)	8-1/2" X 5-3/4" (214.6mm X 144.6mm)	1-5/8" (40mm)
<b>トータル寸法</b>	2-1/4" (56.4mm)	3-11/16" (92.7mm)	1-7/8" (47.6mm)	2-1/8" (52.6mm)	2-1/16" (52mm)	2" (50.7mm)	2-11/16" (67.3mm)	2-1/16" (52mm)	2-1/4" (56.4mm)	3-1/2" (88mm)	1-7/16" (36.1mm)
<b>埋め込み寸法</b>	1-13/16" (44.6mm)	3-1/8" (77.8mm)	1-7/16" (35.7mm)	1-7/8" (46.8mm)	1-13/16" (45mm)	1-3/4" (43.9mm)	2-5/16" (58.5mm)	1-13/16" (45mm)	1-13/16" (44.6mm)	3-1/8" (77.8mm)	13/16" (20mm)

DANE TECHNICZNE	CLUB 6520	CLUB 9630	CLUB 3020	CLUB 4020	CLUB 5020	CLUB 6420	CLUB 8620	CLUB 5000C	CLUB 6500C	CLUB 9600C	CLUB 750T
<b>rodzaj</b>	współosiowy głośnik samochodowy 160 mm (6-1/2")	trójdrożny głośnik samochodowy 6" x 9"	współosiowy głośnik samochodowy 87 mm (3-1/2")	współosiowy głośnik samochodowy 100 mm (4")	współosiowy głośnik samochodowy 130 mm (5-1/4")	współosiowy głośnik samochodowy 4" x 6"	współosiowy głośnik samochodowy 6" x 8"	zestaw głośnikowy 5-1/4" x 130 mm (5-1/4")	zestaw głośnikowy 6-1/2" x 160 mm (6-1/2")	zestaw głośnikowy 6" x 9"	głośnik wysokoczęstotliwościowy 19 mm (3/4")
<b>Moc (ciągła)</b>	50W	80W	20W	30W	40W	35W	55W	55W	60W	90W	45W
<b>Moc (szczytowa)</b>	150W	240W	60W	90W	120W	105W	165W	165W	180W	270W	135W
<b>Paźmo przeniesienia</b>	55Hz-20kHz	50Hz-20kHz	90Hz - 20kHz	75Hz - 20kHz	75Hz - 20kHz	75Hz-20kHz	65Hz - 20kHz	70Hz-20kHz	55Hz - 20kHz	50Hz - 20kHz	3kHz - 20kHz
<b>Impedancja znamionowa</b>	3.0ohms	3.0ohms	3.0ohms	3.0ohms	3.0ohms	3.0ohms	3.0ohms	3.0ohms	3.0ohms	3.0ohms	3.0ohms
<b>Efektywność (przy 2.83V/1m)</b>	92dB	93dB	89dB	90dB	91dB	93dB	93dB	91dB	92dB	93dB	92dB
<b>Srednica zewnętrzna</b>	6-1/4" (158mm)	9-5/16" X 6-7/16" (236.5mm X 163mm)	3-7/16" (87mm)	4-1/16" (102.4mm)	5-1/8" (129mm)	6-3/16" X 3-15/16" (157mm X 99.5mm)	8-1/16" X 5-5/8" (220mm X 142.2mm)	5-1/8" (129mm)	6-1/4" (158mm)	9-5/16" X 6-7/16" (236.5mm X 163mm)	2-1/4" (56mm)
<b>Srednica wnęki do montażu</b>	4-7/8" (123.4mm)	8-1/2" X 5-3/4" (214.6mm X 144.6mm)	3" (75.5mm)	3-11/16" (92.1mm)	4-1/2" (113.6mm)	5-9/16" X 3-3/8" (140.4mm X 85.1mm)	7-1/4" X 5" (182.6mm X 125.6mm)	4-1/2" (113.6mm)	4-7/8" (123.4mm)	8-1/2" X 5-3/4" (214.6mm X 144.6mm)	1-5/8" (40mm)
<b>Całkowita głębokość</b>	2-1/4" (56.4mm)	3-11/16" (92.7mm)	1-7/8" (47.6mm)	2-1/8" (52.6mm)	2-1/16" (52mm)	2" (50.7mm)	2-11/16" (67.3mm)	2-1/16" (52mm)	2-1/4" (56.4mm)	3-1/2" (88mm)	1-7/16" (36.1mm)
<b>Głębokość montażowa</b>	1-13/16" (44.6mm)	3-1/8" (77.8mm)	1-7/16" (35.7mm)	1-7/8" (46.8mm)	1-13/16" (45mm)	1-3/4" (43.9mm)	2-5/16" (58.5mm)	1-13/16" (45mm)	1-13/16" (44.6mm)	3-1/8" (77.8mm)	13/16" (20mm)

规格	CLUB 6520	CLUB 9630	CLUB 3020	CLUB 4020	CLUB 5020	CLUB 6420	CLUB 8620	CLUB 5000C	CLUB 6500C	CLUB 9600C	CLUB 750T
<b>型号</b>	6-1/2" (160mm) 同轴汽车喇叭	6" x 9" 三路汽车喇叭	3-1/2" (87mm) 同轴汽车喇叭	4" (100mm) 同轴汽车喇叭	5-1/4" (130mm) 同轴汽车喇叭	4" x 6" 同轴汽车喇叭	6" x 8" 同轴汽车喇叭	5-1/4" (130mm) 元件喇叭系统	6-1/2" (160mm) 元件喇叭系统	6" x 9" 元件喇叭系统	3/4" (19mm) 元件高音喇叭
<b>连续的功率处理</b>	50W	80W	20W	30W	40W	35W	55W	55W	60W	90W	45W
<b>峰值的功率处理</b>	150W	240W	60W	90W	120W	105W	165W	165W	180W	270W	135W
<b>频率范围</b>	55Hz-20kHz	50Hz-20kHz	90Hz - 20kHz	75Hz - 20kHz	75Hz - 20kHz	75Hz-20kHz	65Hz - 20kHz	70Hz-20kHz	55Hz - 20kHz	50Hz - 20kHz	3kHz - 20kHz
<b>阻抗阻抗</b>	3.0ohms	3.0ohms	3.0ohms	3.0ohms	3.0ohms	3.0ohms	3.0ohms	3.0ohms	3.0ohms	3.0ohms	3.0ohms
<b>灵敏度(2.83V/1m)</b>	92dB	93dB	89dB	90dB	91dB	93dB	93dB	91dB	92dB	93dB	92dB
<b>外形</b>	6-1/4" (158mm)	9-5/16" X 6-7/16" (236.5mm X 163mm)	3-7/16" (87mm)	4-1/16" (102.4mm)	5-1/8" (129mm)	6-3/16" X 3-15/16" (157mm X 99.5mm)	8-1/16" X 5-5/8" (220mm X 142.2mm)	5-1/8" (129mm)	6-1/4" (158mm)	9-5/16" X 6-7/16" (236.5mm X 163mm)	2-1/4" (56mm)
<b>安装喇叭直径</b>	4-7/8" (123.4mm)	8-1/2" X 5-3/4" (214.6mm X 144.6mm)	3" (75.5mm)	3-11/16" (92.1mm)	4-1/2" (113.6mm)	5-9/16" X 3-3/8" (140.4mm X 85.1mm)	7-1/4" X 5" (182.6mm X 125.6mm)	4-1/2" (113.6mm)	4-7/8" (123.4mm)	8-1/2" X 5-3/4" (214.6mm X 144.6mm)	1-5/8" (40mm)
<b>总深度</b>	2-1/4" (56.4mm)	3-11/16" (92.7mm)	1-7/8" (47.6mm)	2-1/8" (52.6mm)	2-1/16" (52mm)	2" (50.7mm)	2-11/16" (67.3mm)	2-1/16" (52mm)	2-1/4" (56.4mm)	3-1/2" (88mm)	1-7/16" (36.1mm)
<b>安装深度</b>	1-13/16" (44.6mm)	3-1/8" (77.8mm)	1-7/16" (35.7mm)	1-7/8" (46.8mm)	1-13/16" (45mm)	1-3/4" (43.9mm)	2-5/16" (58.5mm)	1-13/16" (45mm)	1-13/16" (44.6mm)	3-1/8" (77.8mm)	13/16" (20mm)

SPESIFIKASI	CLUB 6520	CLUB 9630	CLUB 3020	CLUB 4020	CLUB 5020	CLUB 6420	CLUB 8620	CLUB 5000C	CLUB 6500C	CLUB 9600C	CLUB 750T
<b>Typ</b>	Speaker mobil koaksial 6-1/2" (160mm)	Speaker mobil tiga jalur 6" x 9"	Speaker mobil koaksial 3-1/2" (87mm)	Speaker mobil koaksial 4" (100mm)	Speaker mobil koaksial 5-1/4" (130mm)	Speaker mobil koaksial 4" x 6"	Speaker mobil koaksial 6" x 8"	Sistem speaker komponent 5-1/4" (130mm)	Sistem speaker komponent 6-1/2" (160mm)	Sistem speaker komponent 6" x 9"	Tweeter komponent 3/4" (19mm)
<b>Penanganan daya kontinu</b>	50W	80W	20W	30W	40W	35W	55W	55W	60W	90W	45W
<b>Penanganan daya puncak</b>	150W	240W	60W	90W	120W	105W	165W	165W	180W	270W	135W
<b>Respons frekuensi</b>	55Hz-20kHz	50Hz-20kHz	90Hz - 20kHz	75Hz - 20kHz	75Hz - 20kHz	75Hz-20kHz	65Hz - 20kHz	70Hz-20kHz	55Hz - 20kHz	50Hz - 20kHz	3kHz - 20kHz
<b>Impedansi Nominal</b>	3.0ohms	3.0ohms	3.0ohms	3.0ohms	3.0ohms	3.0ohms	3.0ohms	3.0ohms	3.0ohms	3.0ohms	3.0ohms
<b>Sensitivitas (2.83V/1m)</b>	92dB	93dB	89dB	90dB	91dB	93dB	93dB	91dB	92dB	93dB	92dB
<b>Diameter eksternal</b>	6-1/4" (158mm)	9-5/16" X 6-7/16" (236.5mm X 163mm)	3-7/16" (87mm)	4-1/16" (102.4mm)	5-1/8" (129mm)	6-3/16" X 3-15/16" (157mm X 99.5mm)	8-1/16" X 5-5/8" (220mm X 142.2mm)	5-1/8" (129mm)	6-1/4" (158mm)	9-5/16" X 6-7/16" (236.5mm X 163mm)	2-1/4" (56mm)
<b>Diameter potongan dudukan</b>	4-7/8" (123.4mm)	8-1/2" X 5-3/4" (214.6mm X 144.6mm)	3" (75.5mm)	3-11/16" (92.1mm)	4-1/2" (113.6mm)	5-9/16" X 3-3/8" (140.4mm X 85.1mm)	7-1/4" X 5" (182.6mm X 125.6mm)	4-1/2" (113.6mm)	4-7/8" (123.4mm)	8-1/2" X 5-3/4" (214.6mm X 144.6mm)	1-5/8" (40mm)
<b>Kedalaman total</b>	2-1/4" (56.4mm)	3-11/16" (92.7mm)	1-7/8" (47.6mm)	2-1/8" (52.6mm)	2-1/16" (52mm)	2" (50.7mm)	2-11/16" (67.3mm)	2-1/16" (52mm)	2-1/4" (56.4mm)	3-1/2" (88mm)	1-7/16" (36.1mm)
<b>Kedalaman dudukan</b>	1-13/16" (44.6mm)	3-1/8" (77.8mm)	1-7/16" (35.7mm)	1-7/8" (46.8mm)	1-13/16" (45mm)	1-3/4" (43.9mm)	2-5/16" (58.5mm)	1-13/16" (45mm)	1-13/16" (44.6mm)	3-1/8" (77.8mm)	13/16" (20mm)



HARMAN International Industries, Inc.  
8500 Balboa Boulevard, Northridge, CA 91329 USA

© 2016 HARMAN International Industries, Incorporated. All rights reserved.  
JBL is a trademark of HARMAN International Industries, Incorporated, registered in the United States and/or other countries.

Features, specifications and appearance are subject to change without notice.

© 2016 HARMAN International Industries, Incorporated. Все права защищены.  
JBL является торговой маркой Harman International Industries, Incorporated, зарегистрированной в США и/или других странах.

Функции, характеристики и внешний вид описываемых компонентов могут быть изменены без предварительного уведомления.

Торговая марка	: JBL
Назначение товара	: Автомобильная акустическая система
Изготовитель	: Харман Интернешнл Индастриз Инкорпорейтед, США, 06901 Коннектикут, г.Стэмфорд, Атлантик Стрит 400, офис 1500
Страна происхождения	: Вьетнам
Импортер в Россию	: ООО "ХАРМАН РУС СиАйЭс", РОССИЯ, 127018, г.МОСКВА, УЛ. ДВИНЦЕВ, Д.12, КОРПУС 1
Гарантийный период	: 1 год
Информация о сервисных центрах	: <a href="http://www.harman.com/ru">www.harman.com/ru</a> тел. +7-800-700-0467
Срок службы	: 5 лет
Срок хранения	: не ограничен
Условия хранения	: Стандартные при нормальных значениях климатических факторов внешней среды
Номер документа соответствия	: Товар не подлежит обязательной сертификации
Дата производства	: Дата изготовления устройства определяется по двум буквенным обозначениям из второй группы символов серийного номера изделия, следующих после разделительного знака «-». Кодировка соответствует порядку букв латинского алфавита, начиная с января 2010 года: 000000-MY0000000, где «M» - месяц производства (A - январь, B - февраль, C - март и т.д.) и «Y» - год производства (A - 2010, B - 2011, C - 2012 и т.д.).

SPECIFIKATIONER	CLUB 6520	CLUB 9630	CLUB 3020	CLUB 4020	CLUB 5020	CLUB 6420	CLUB 8620	CLUB 5000C	CLUB 6500C	CLUB 9600C	CLUB 750T
<b>Type</b>	6-1/2" (160 mm) koaksial bilhøjttaler	6" x 9" 3-vejrs koaksial bilhøjttaler	3-1/2" (87 mm) koaksial bilhøjttaler	4" (100 mm) koaksial bilhøjttaler	5-1/4" (130 mm) koaksial bilhøjttaler	4" x 6" koaksial bilhøjttaler	6" x 8" koaksial bilhøjttaler	5-1/4" (130 mm) komponent højttalersystem	6-1/2" (160 mm) komponent højttalersystem	6" x 9" komponent højttalersystem	