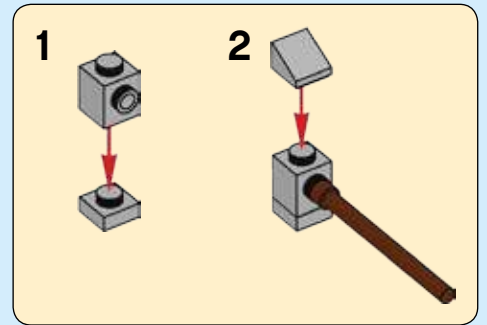


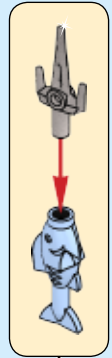
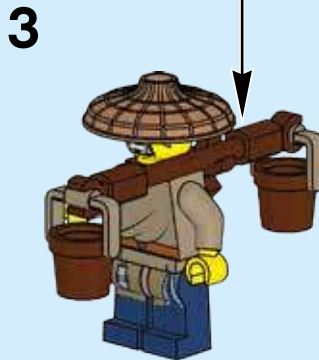
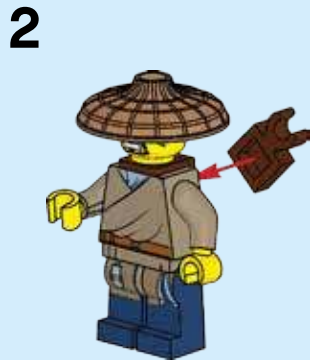
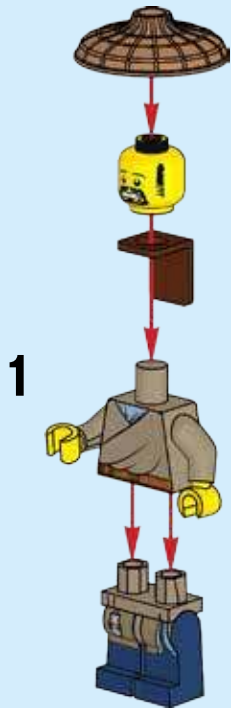
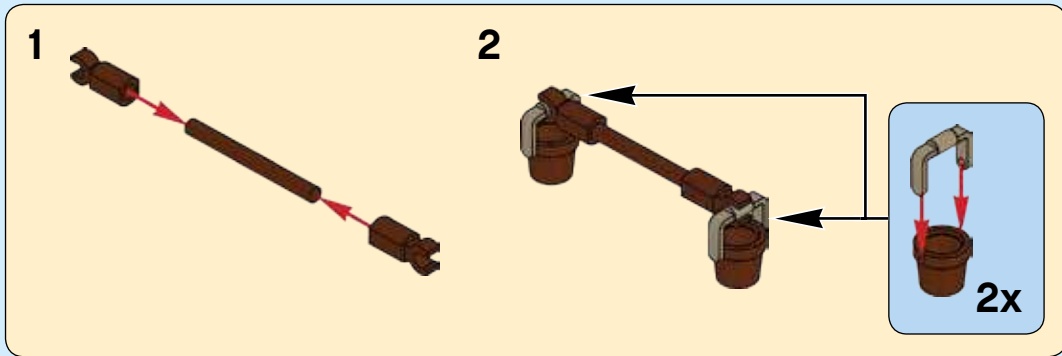


THE NINJAGO MOVIE

70609

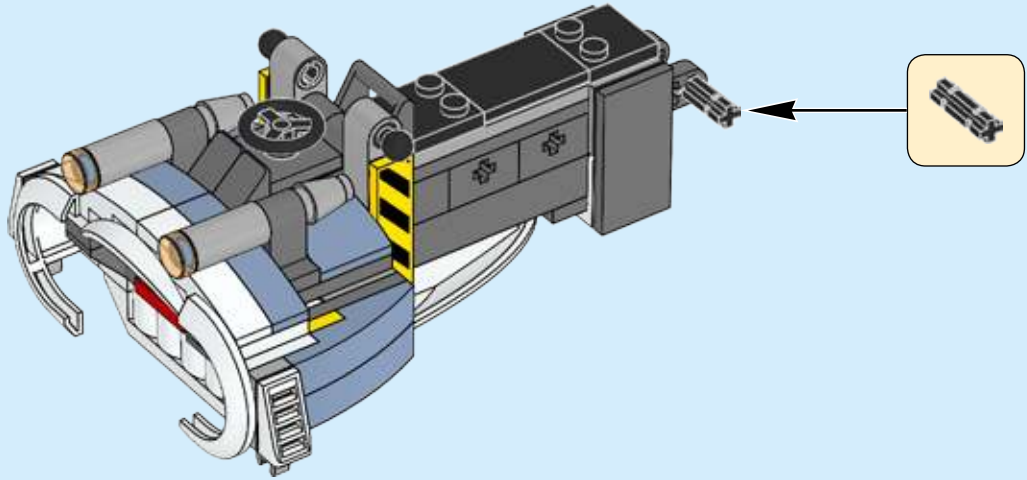


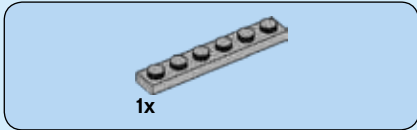
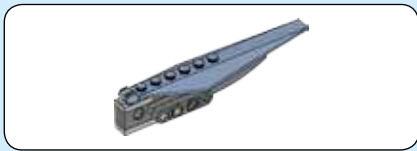




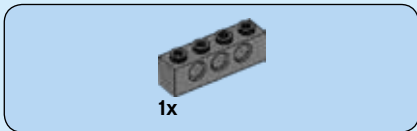
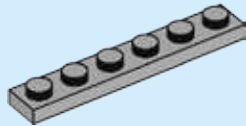


37

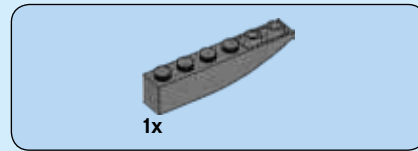
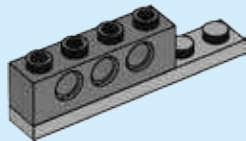




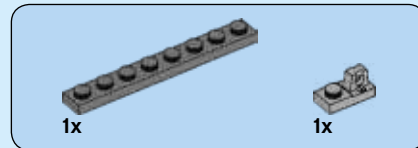
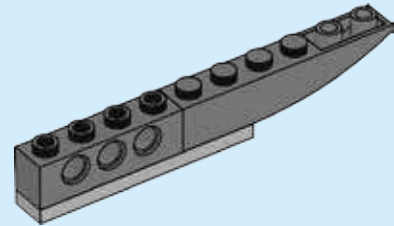
38



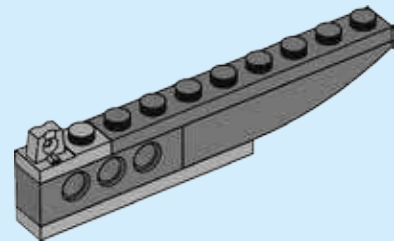
39

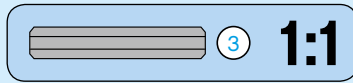
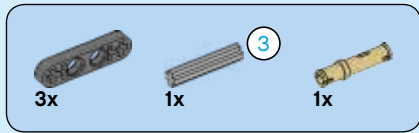


40

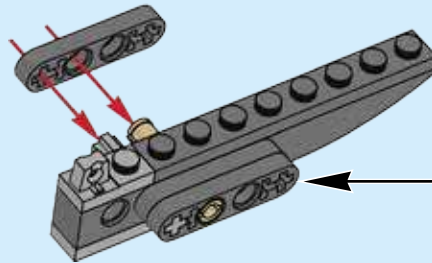
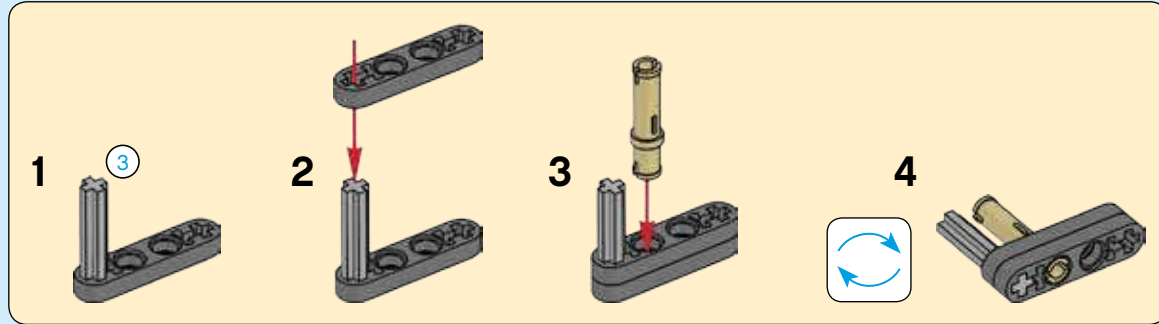


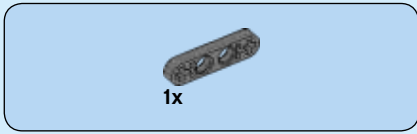
41



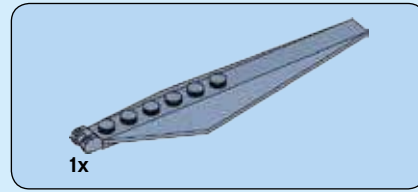
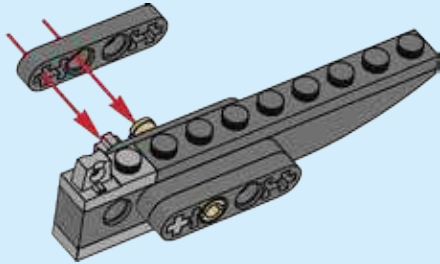


42

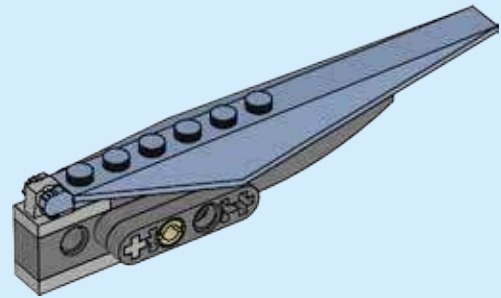




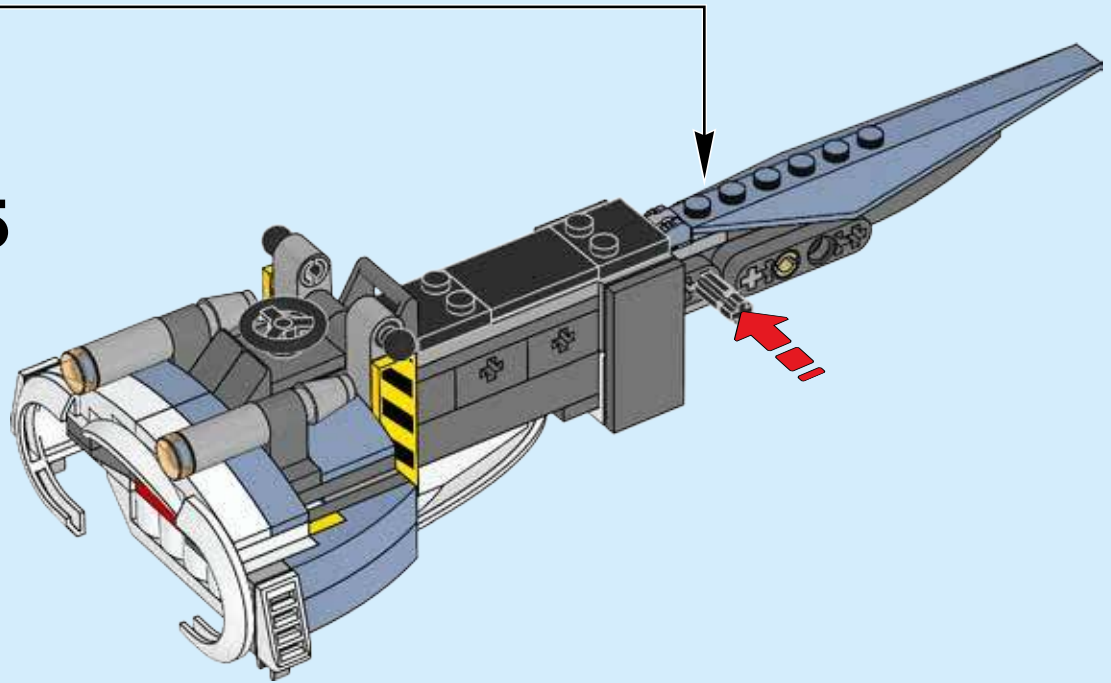
43

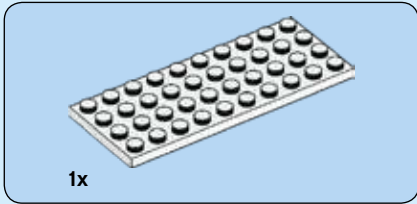


44

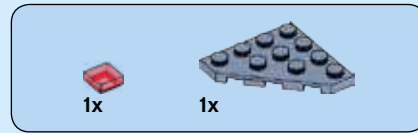
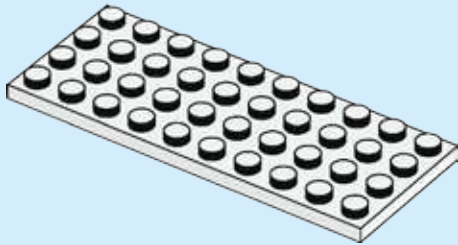


45

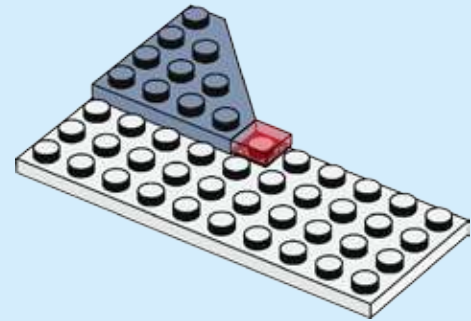




46



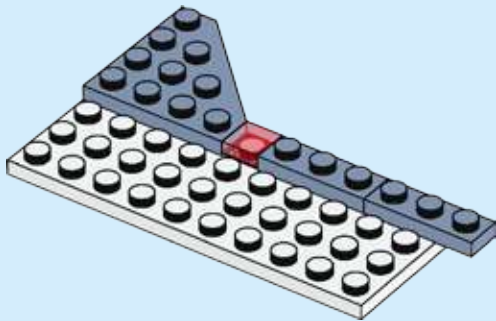
47





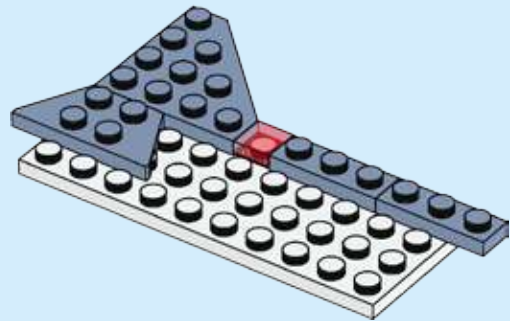
2x

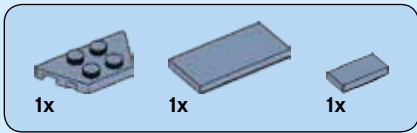
48



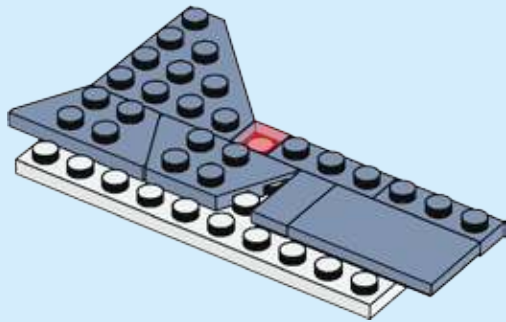
1x

49

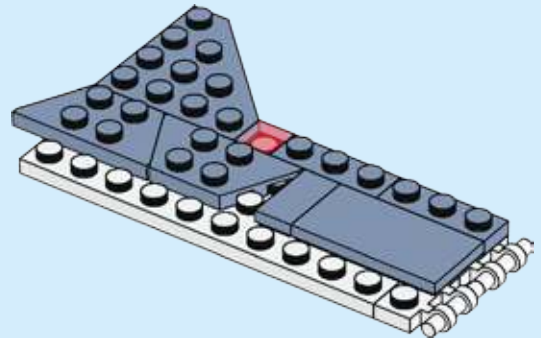


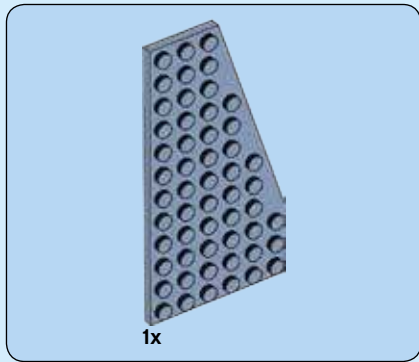


50

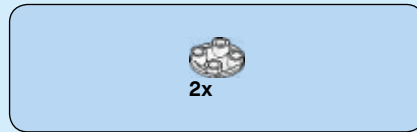
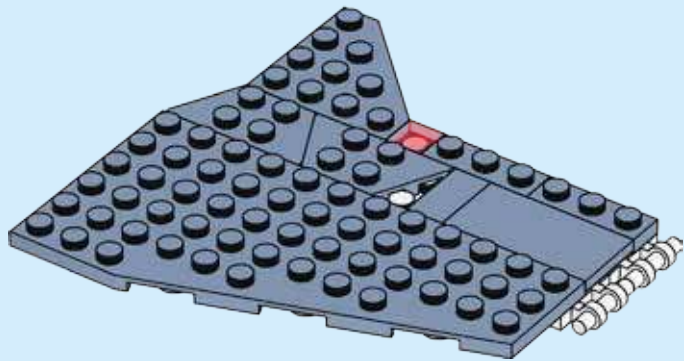


51

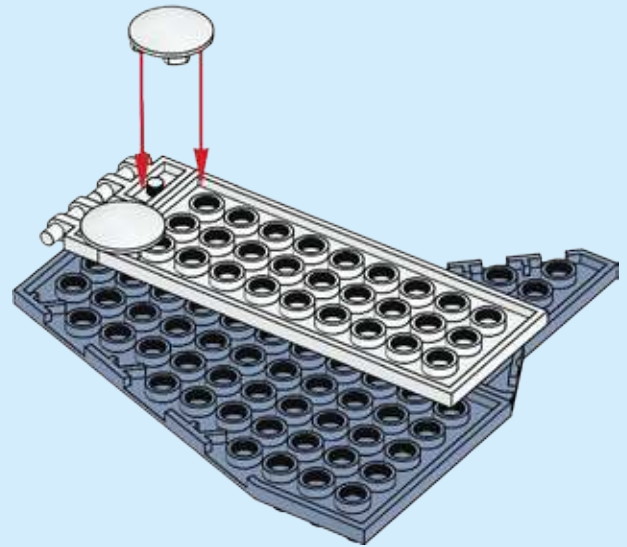
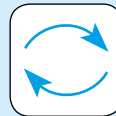


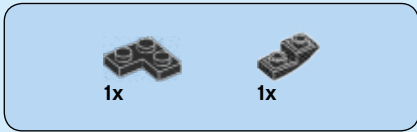


52

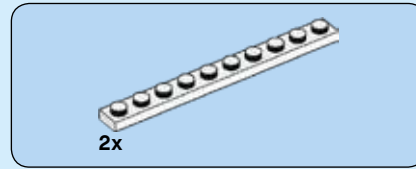
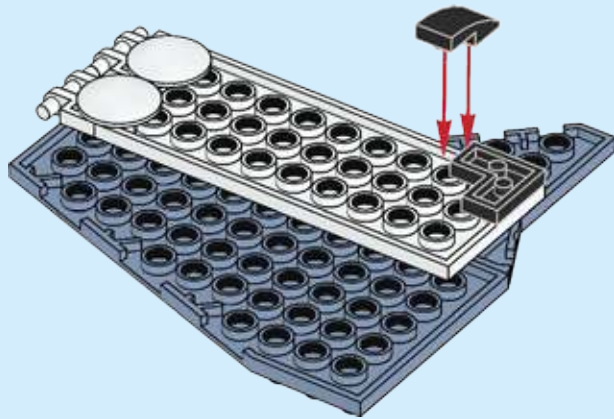


53

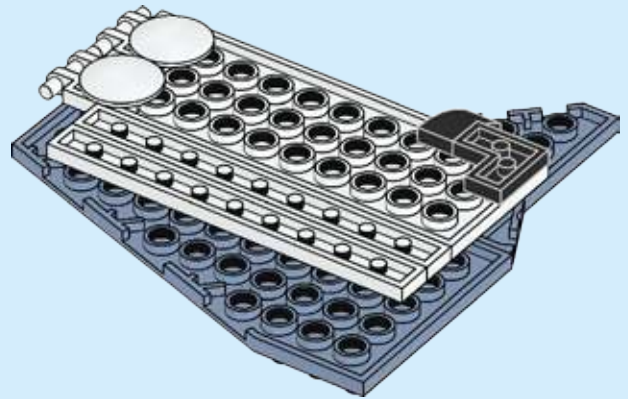


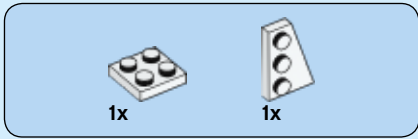


54

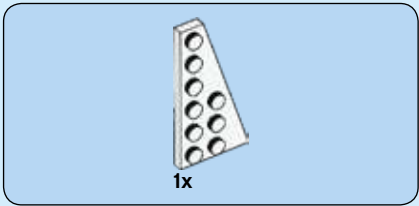


55

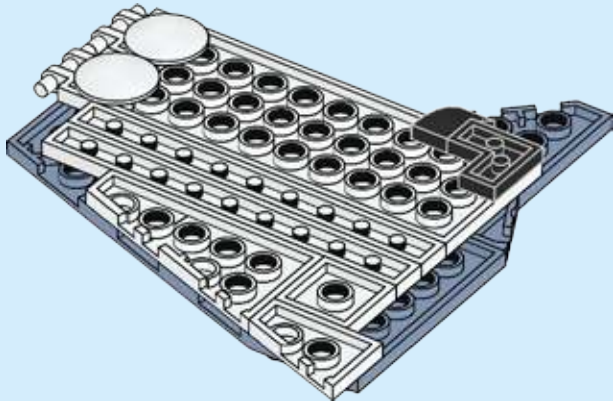
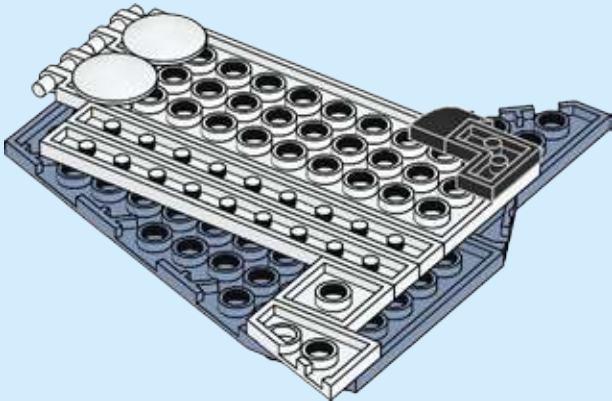




56



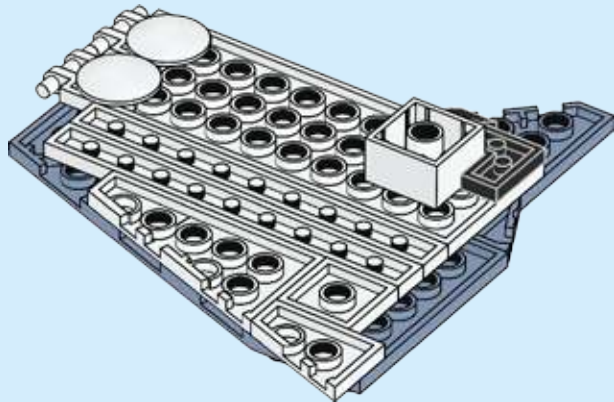
57





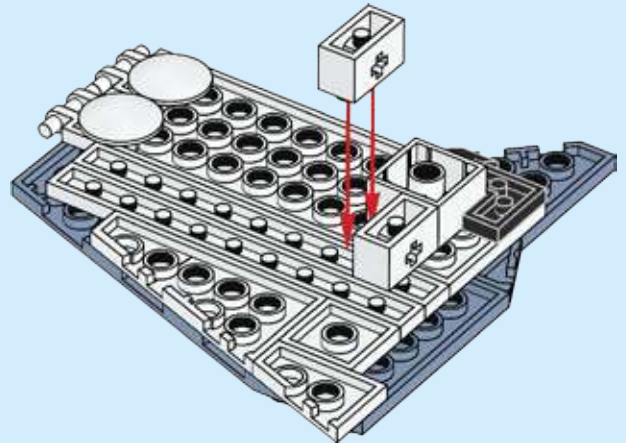
1x

58



2x

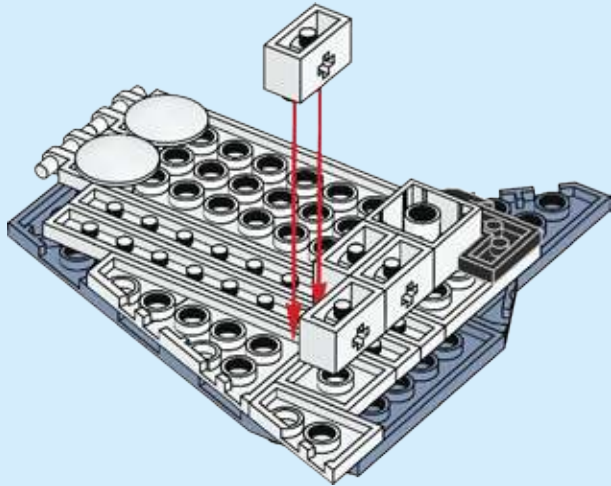
59





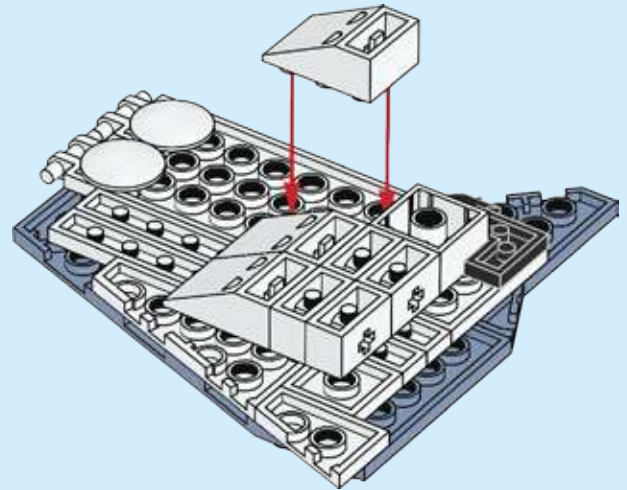
2x

60



3x

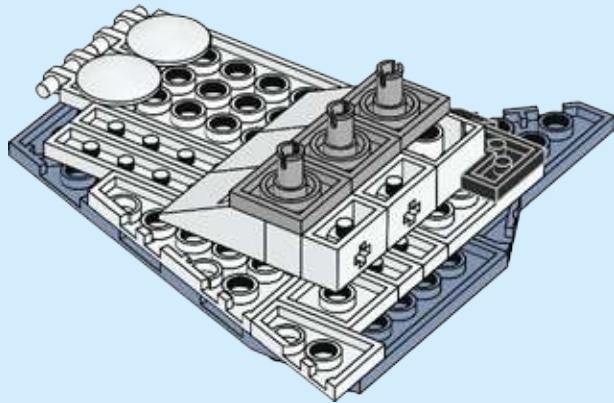
61





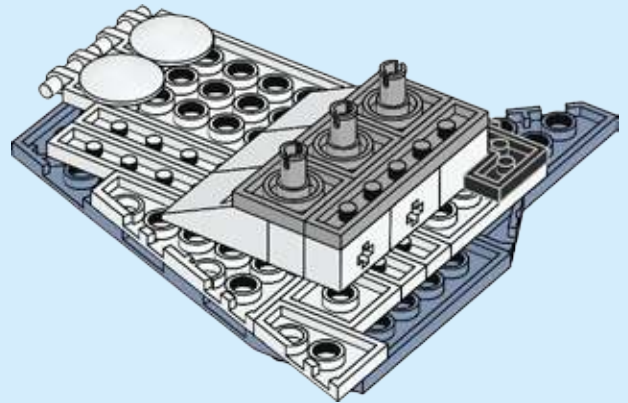
3x

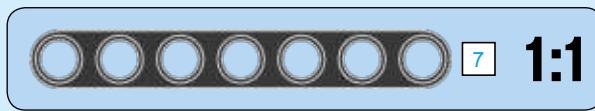
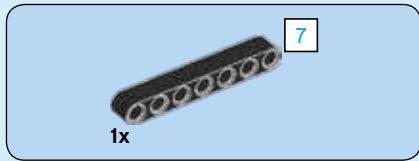
62



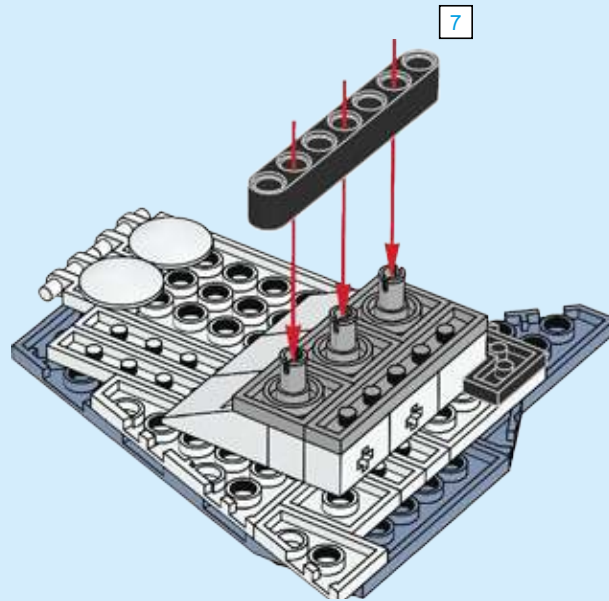
1x

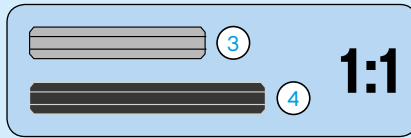
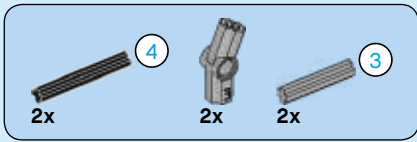
63



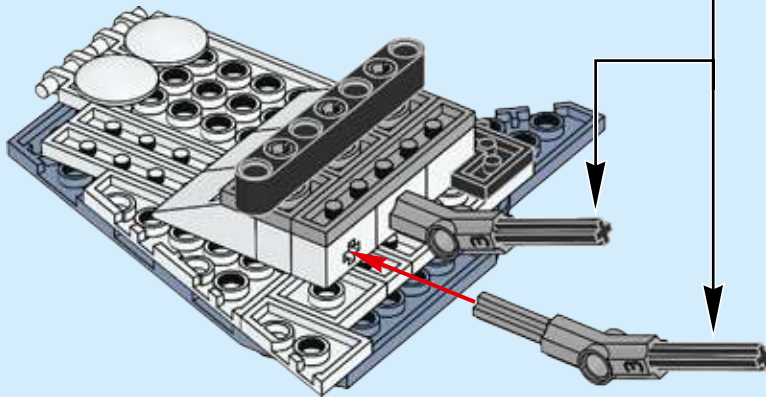
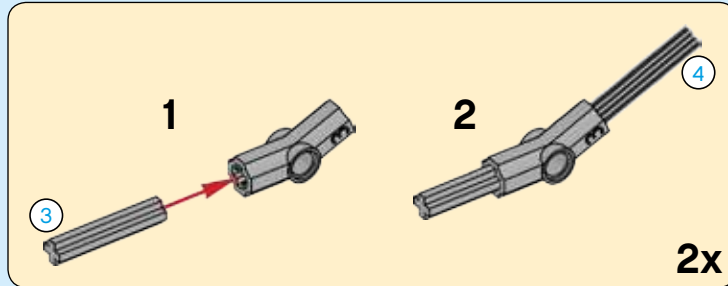


64





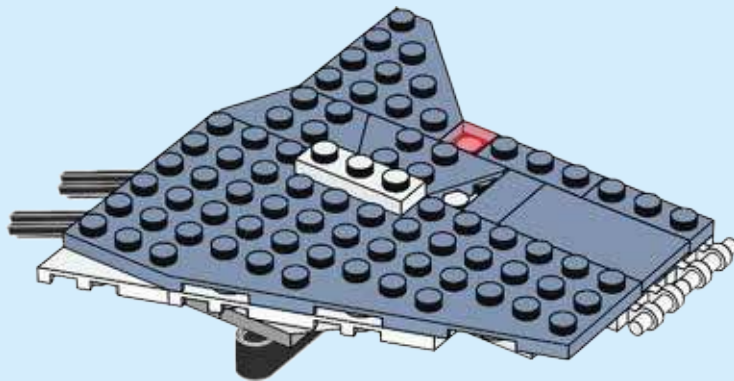
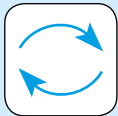
65





1x

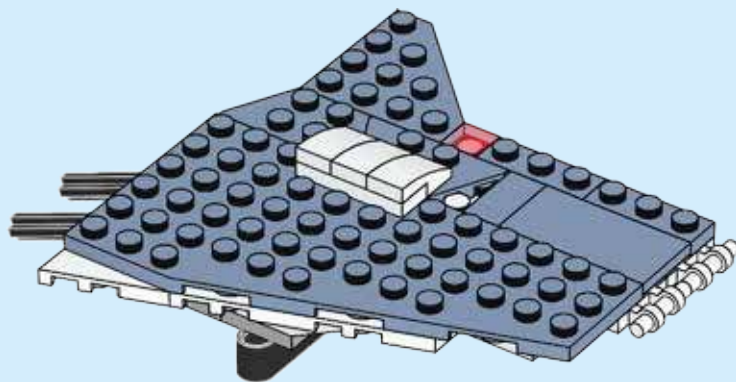
66





3x

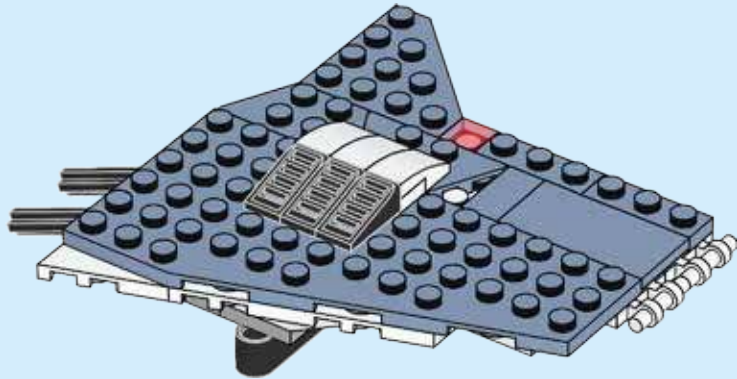
67

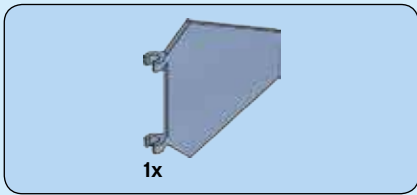




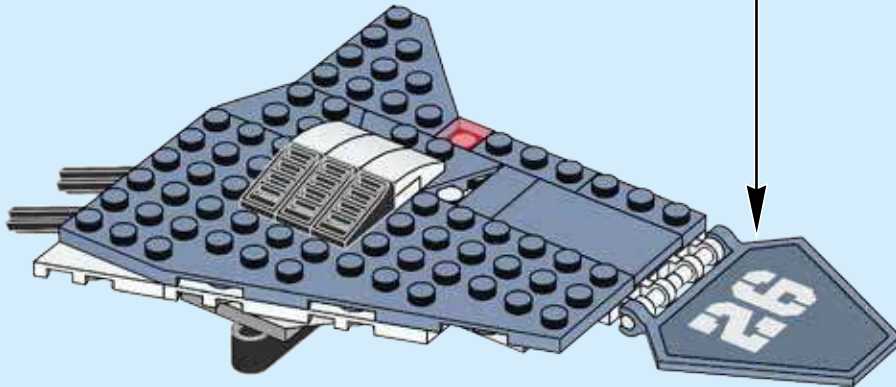
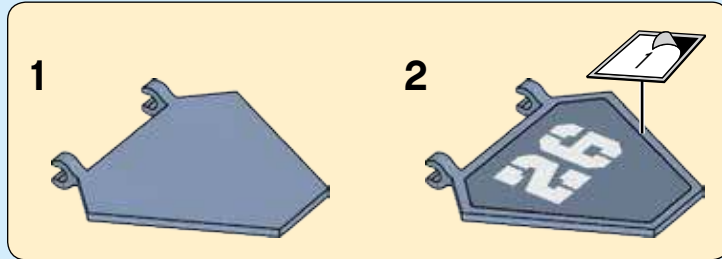
3x

68

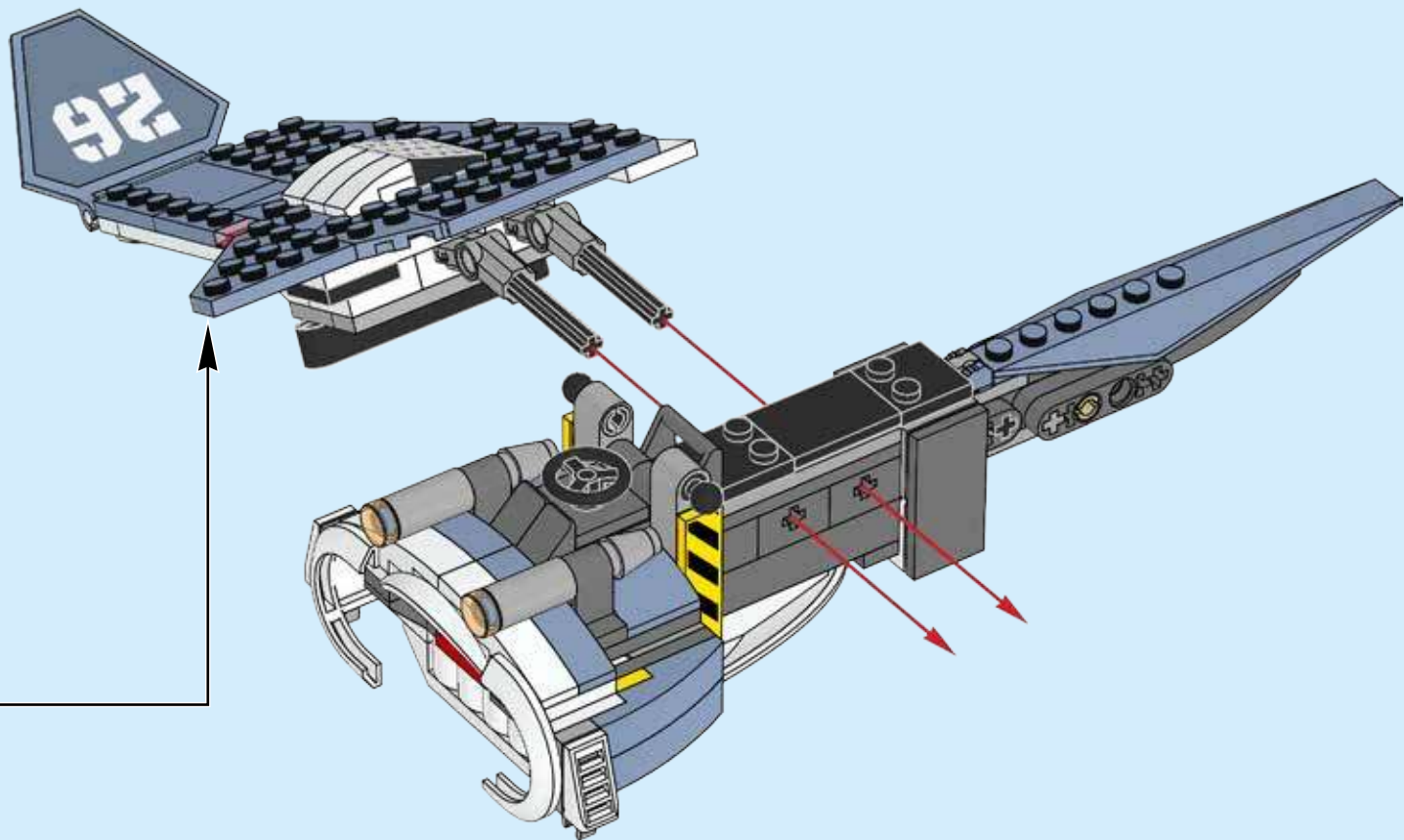


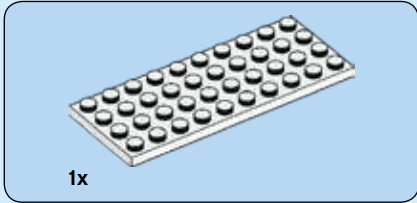


69

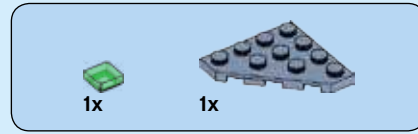
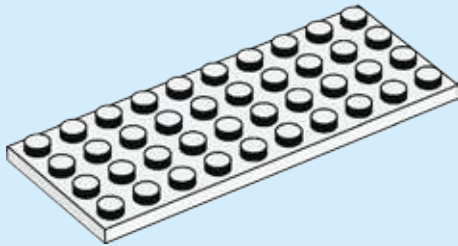


70

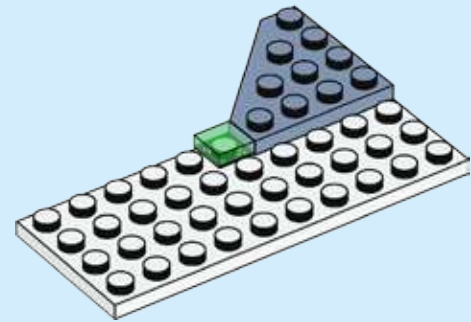


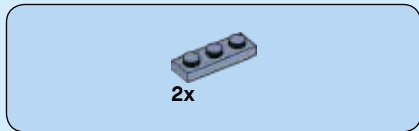


71

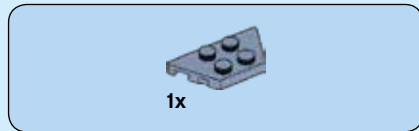
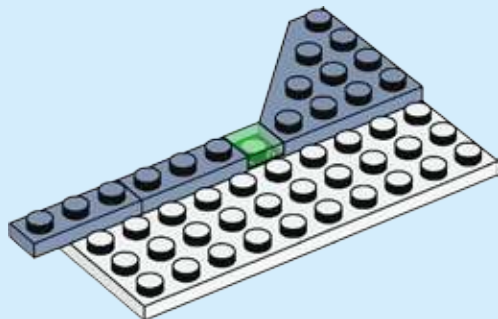


72

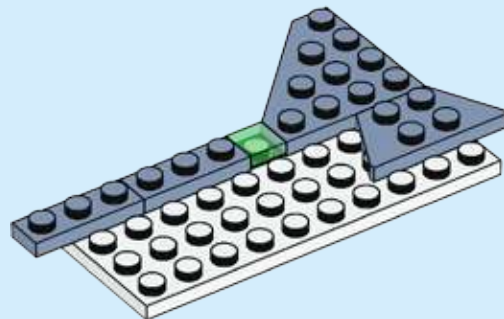


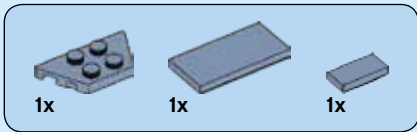


73

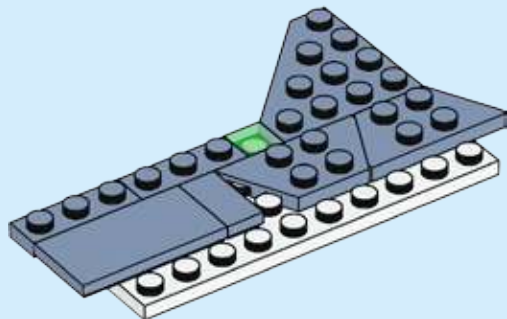


74

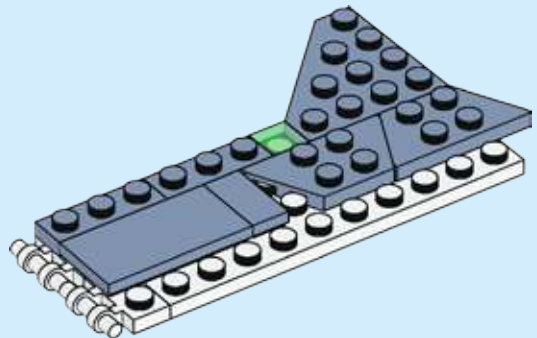


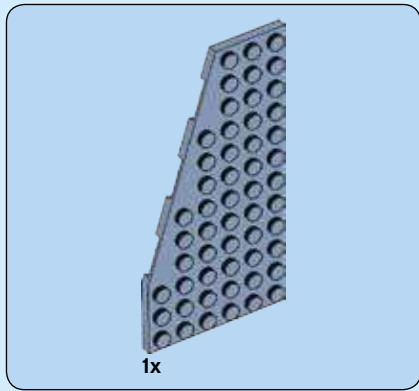


75



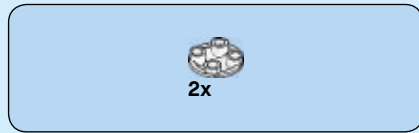
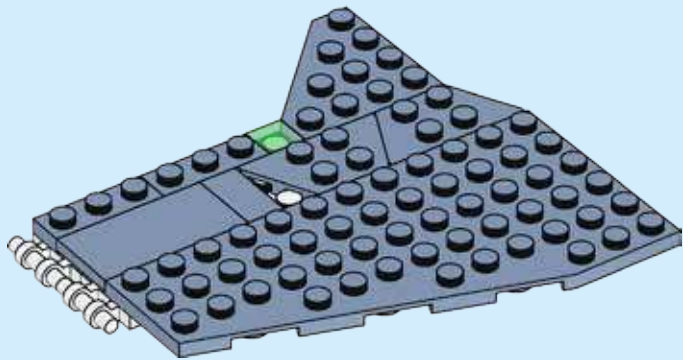
76





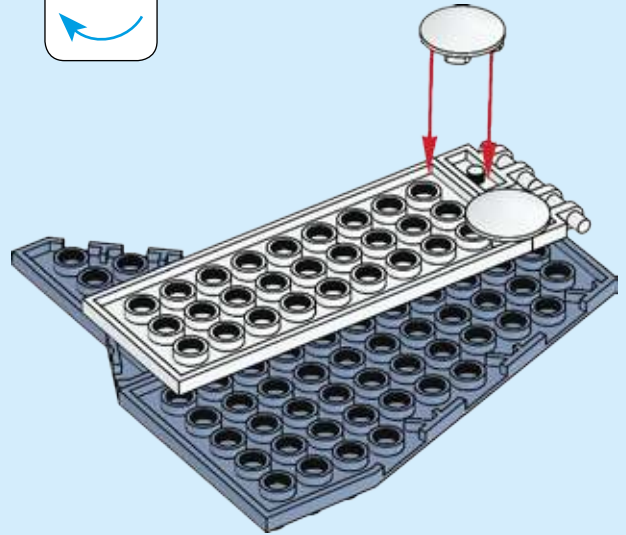
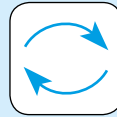
1x

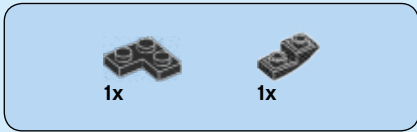
77



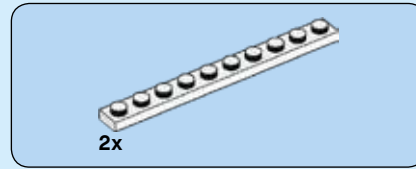
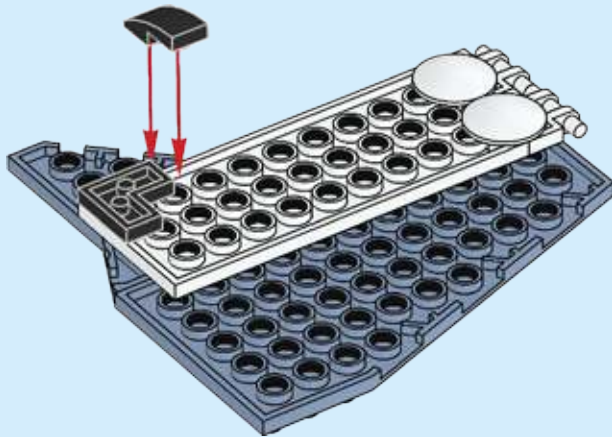
2x

78

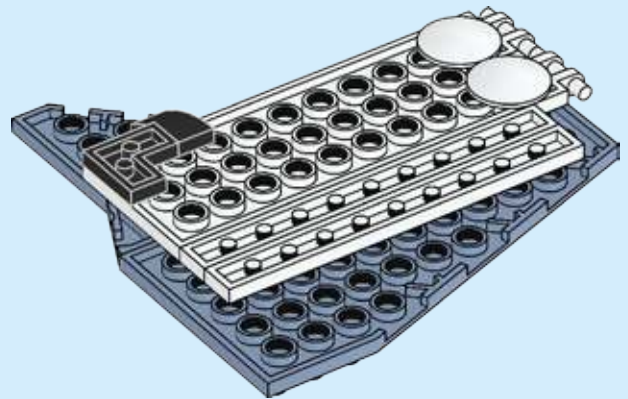




79

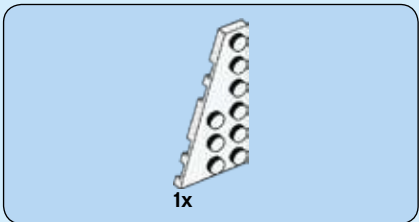
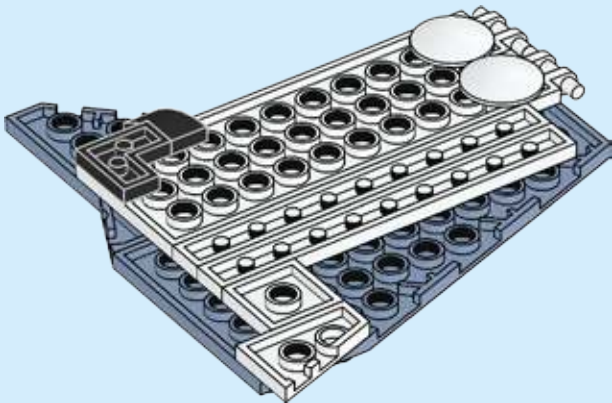


80

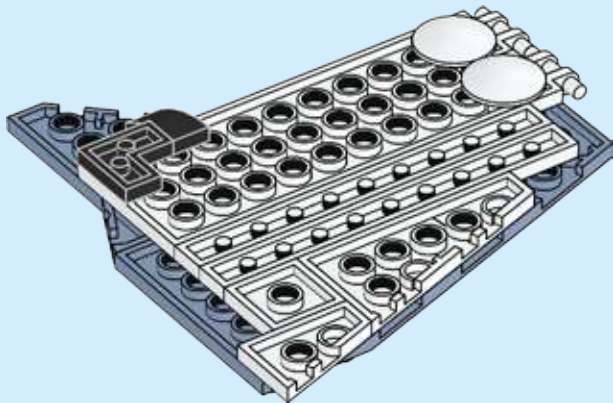




81



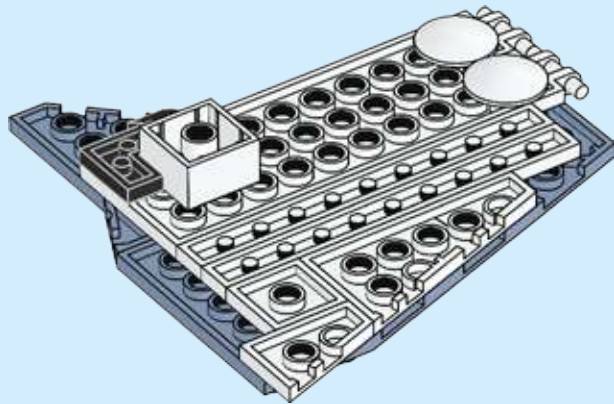
82





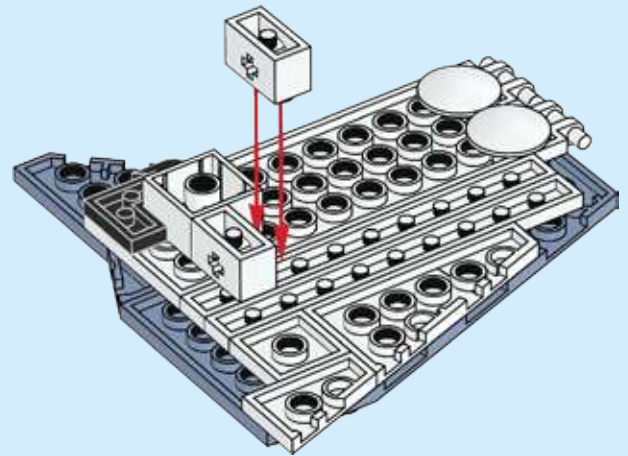
1x

83



2x

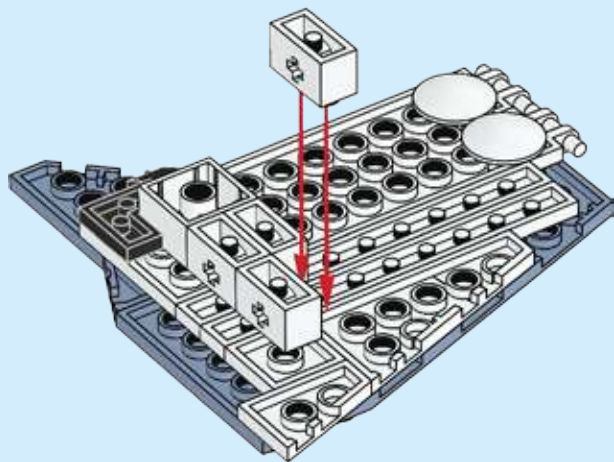
84





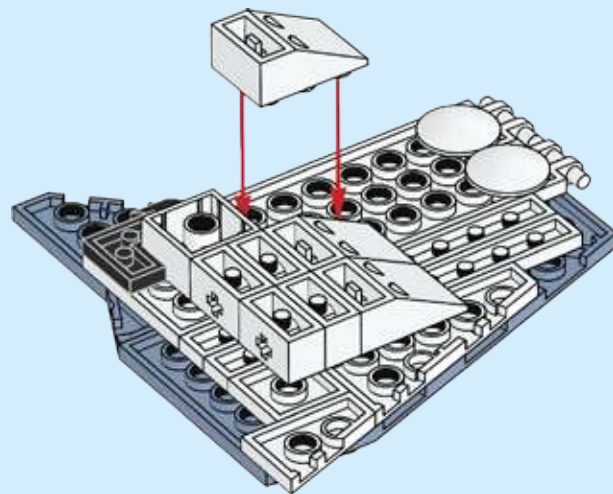
2x

85



3x

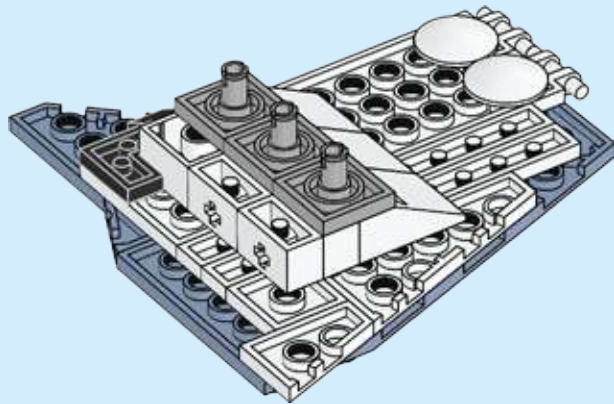
86





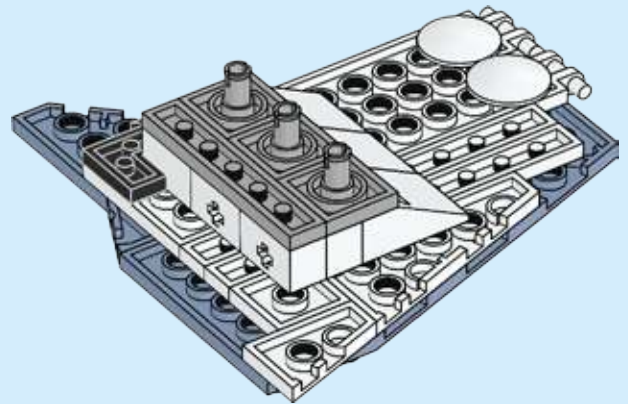
3x

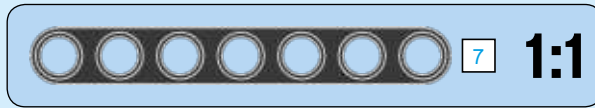
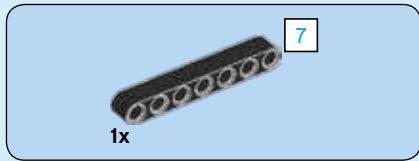
87



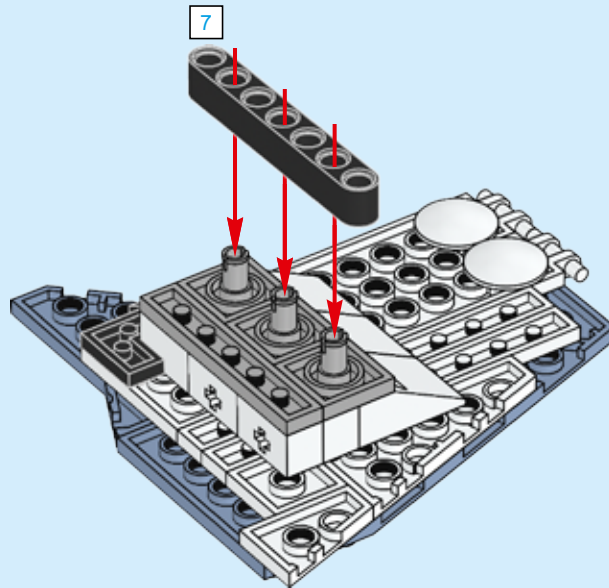
1x

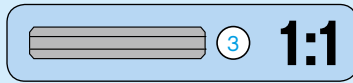
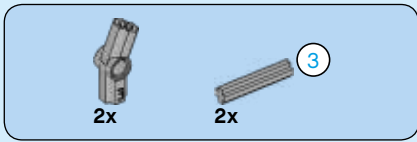
88



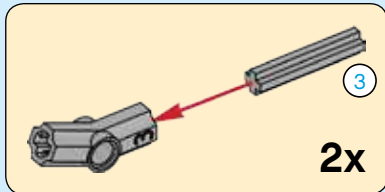
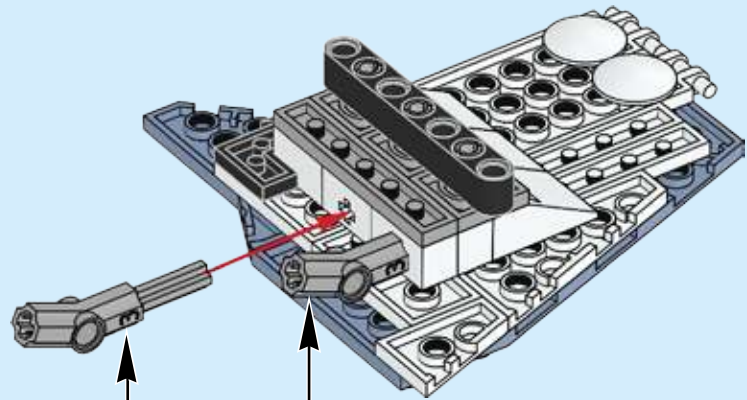


89





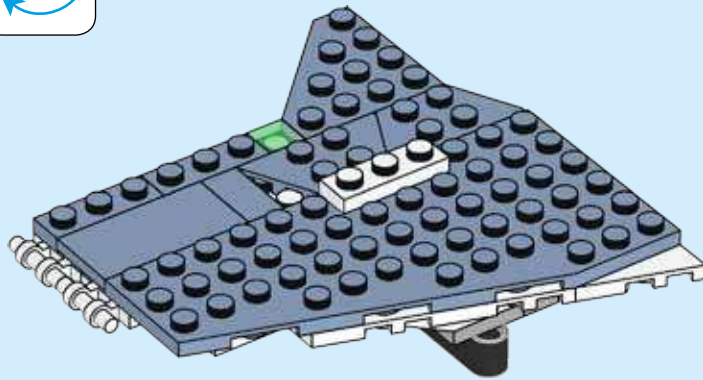
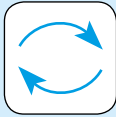
90





1x

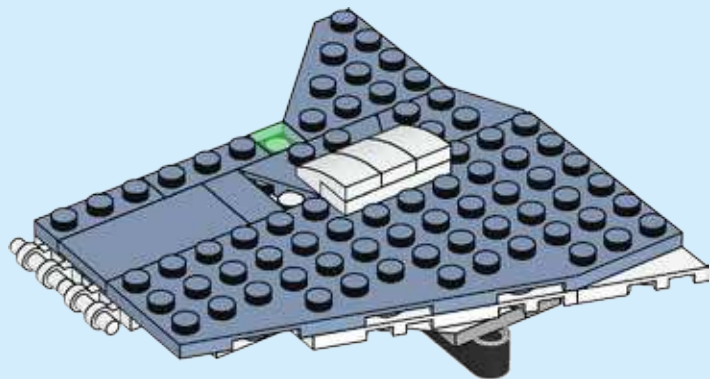
91





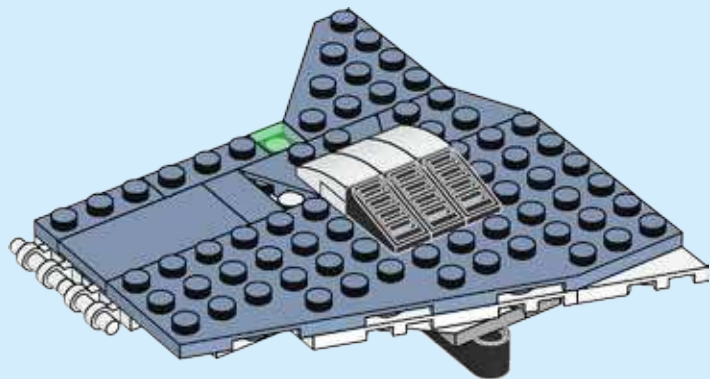
3x

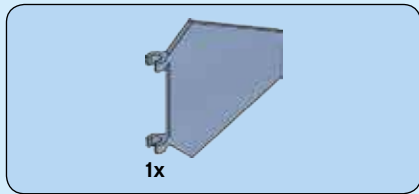
92



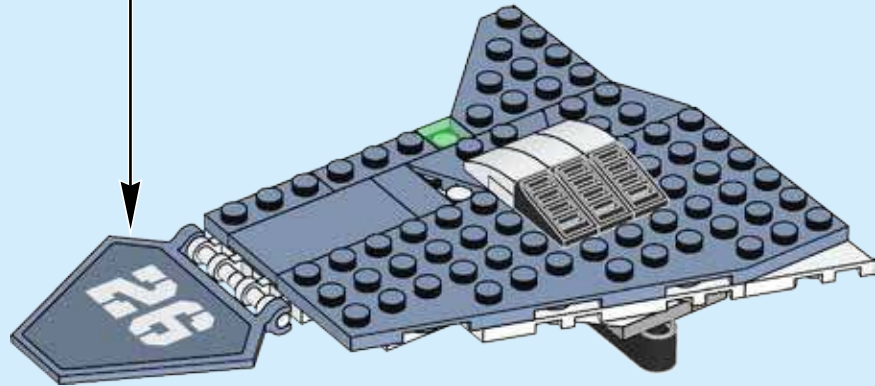
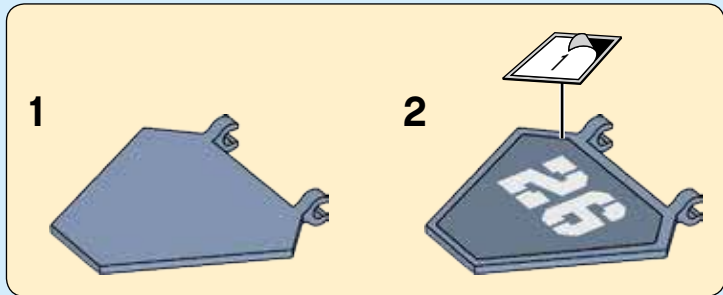
3x

93

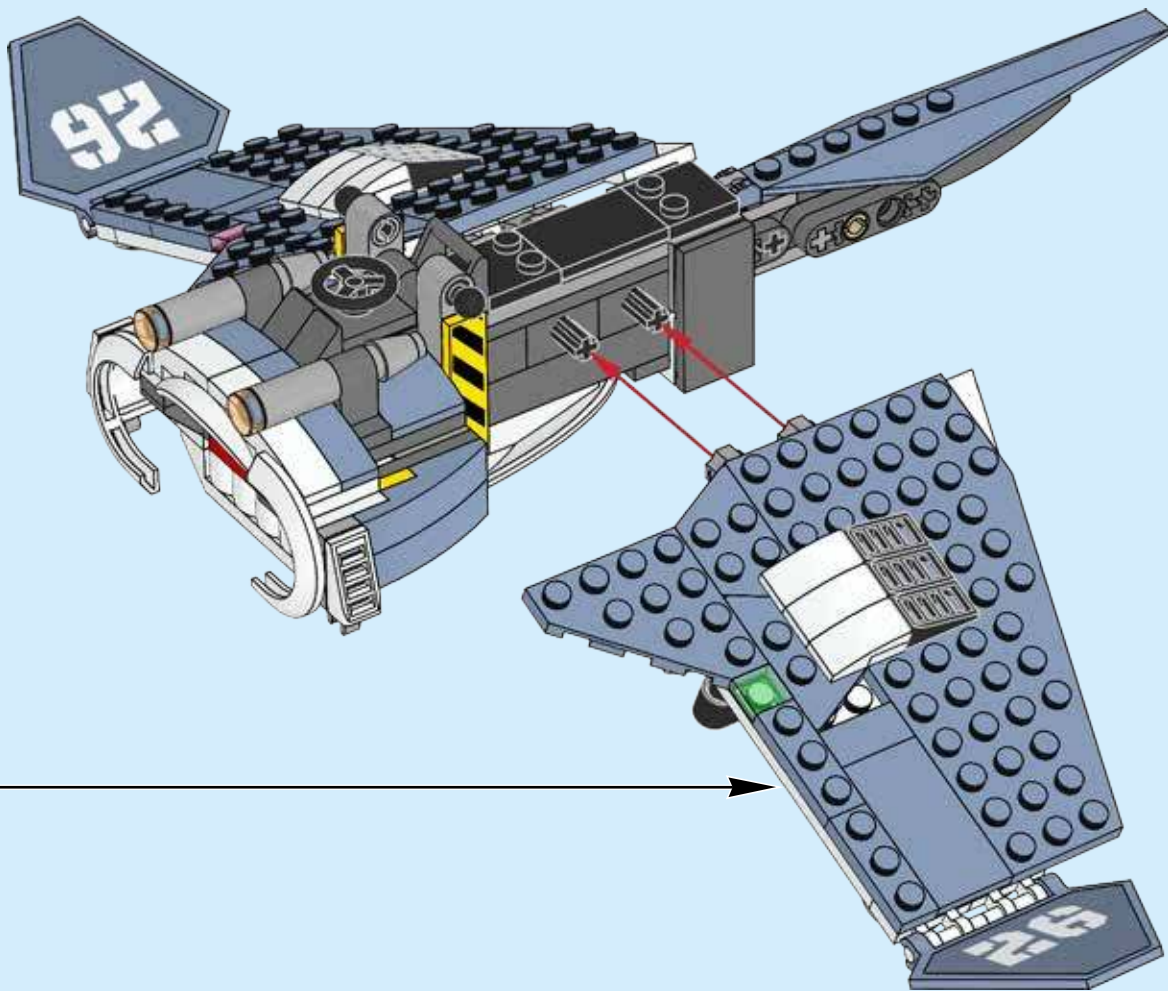


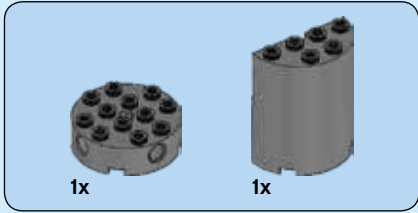
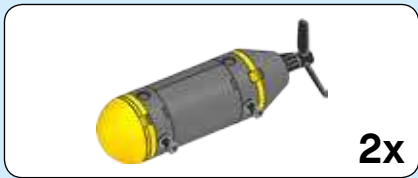


94

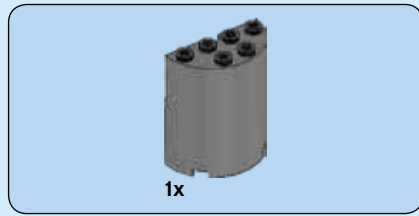
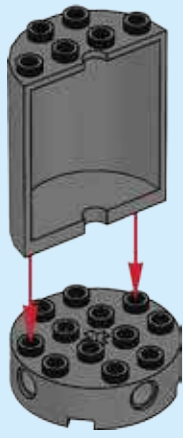


95





96

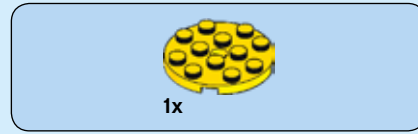


97





98



99





1x

100



2x

101

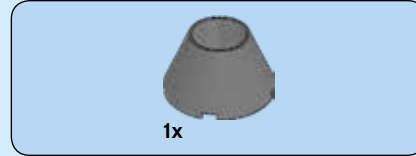




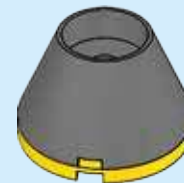
102

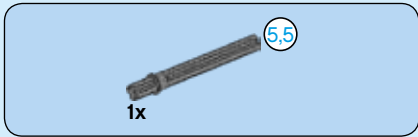


103

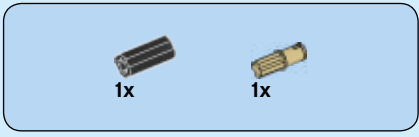
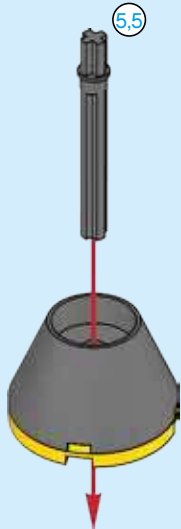


104

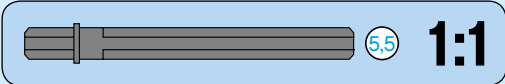
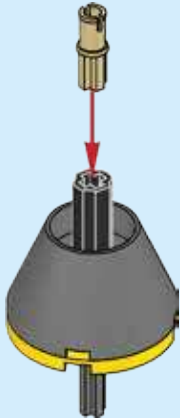


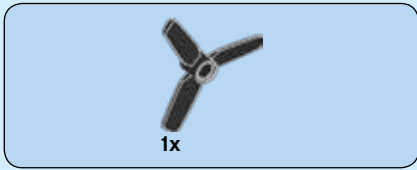


105

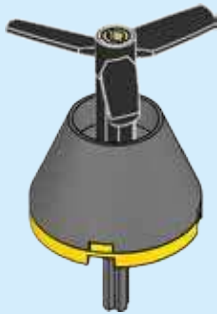


106

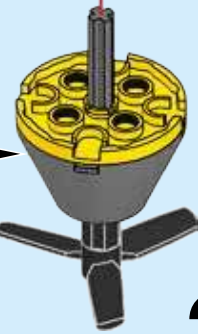




107

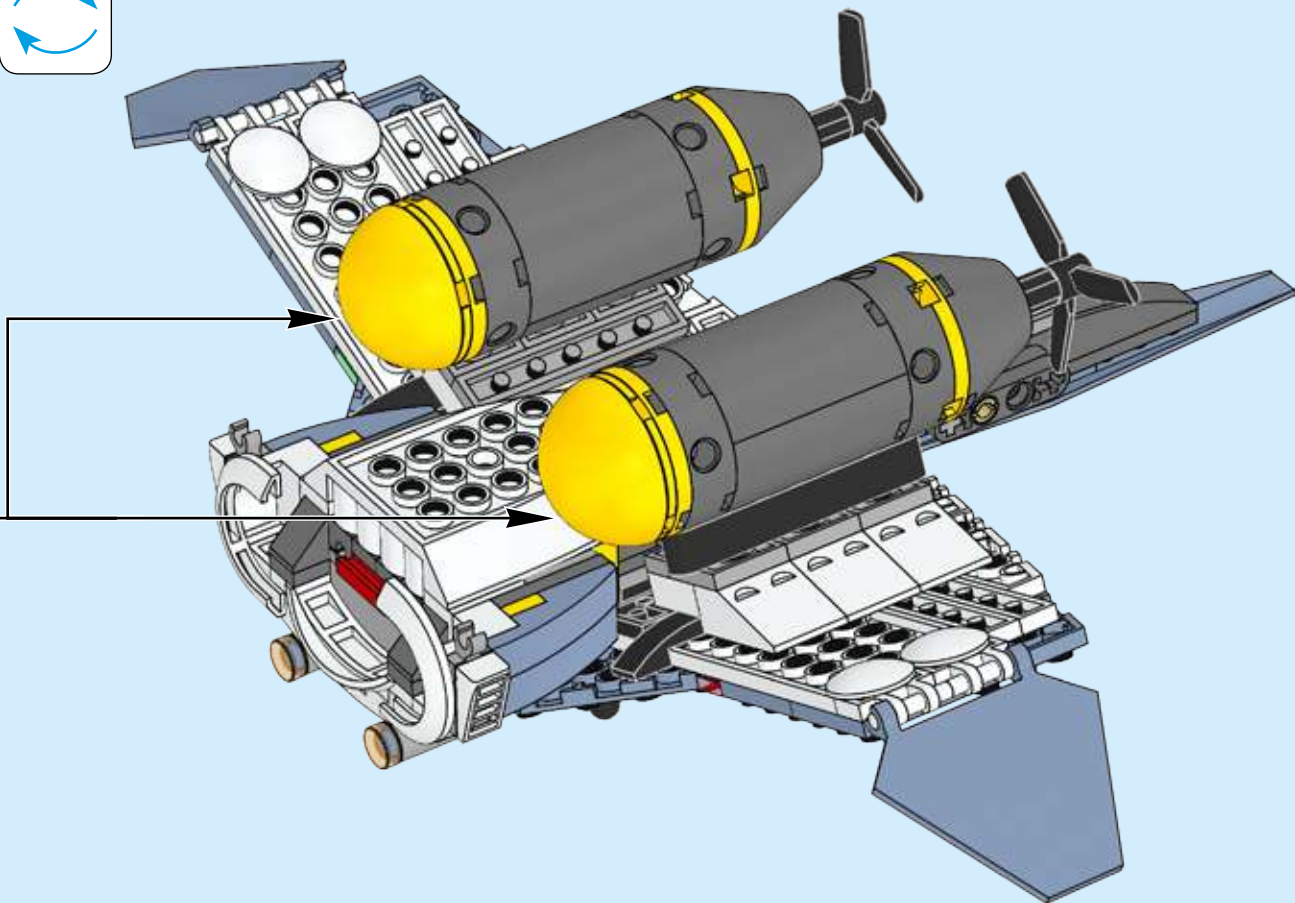
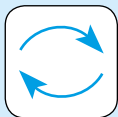


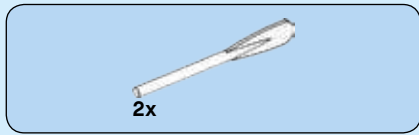
108



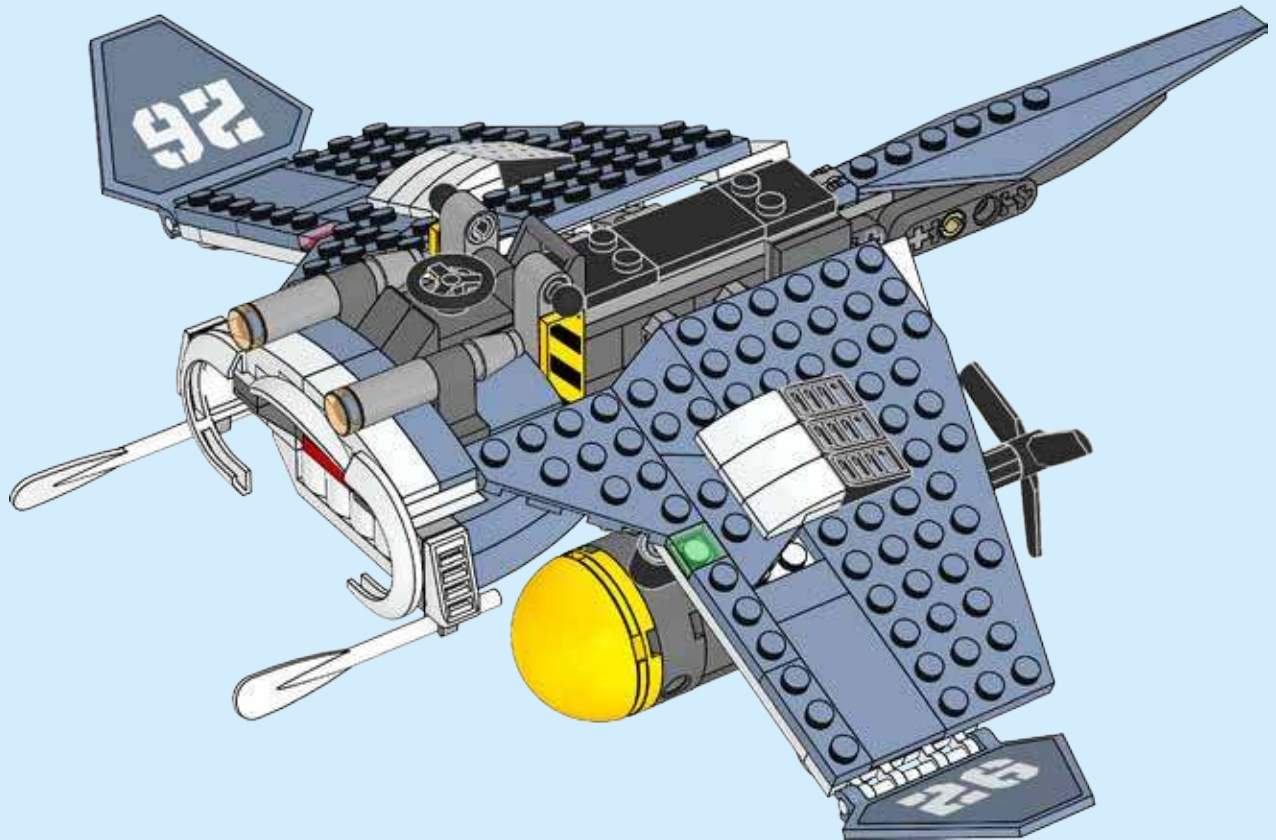
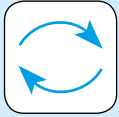
2x

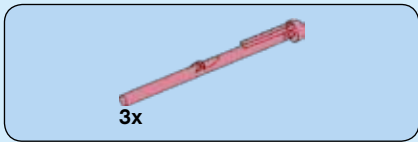
109



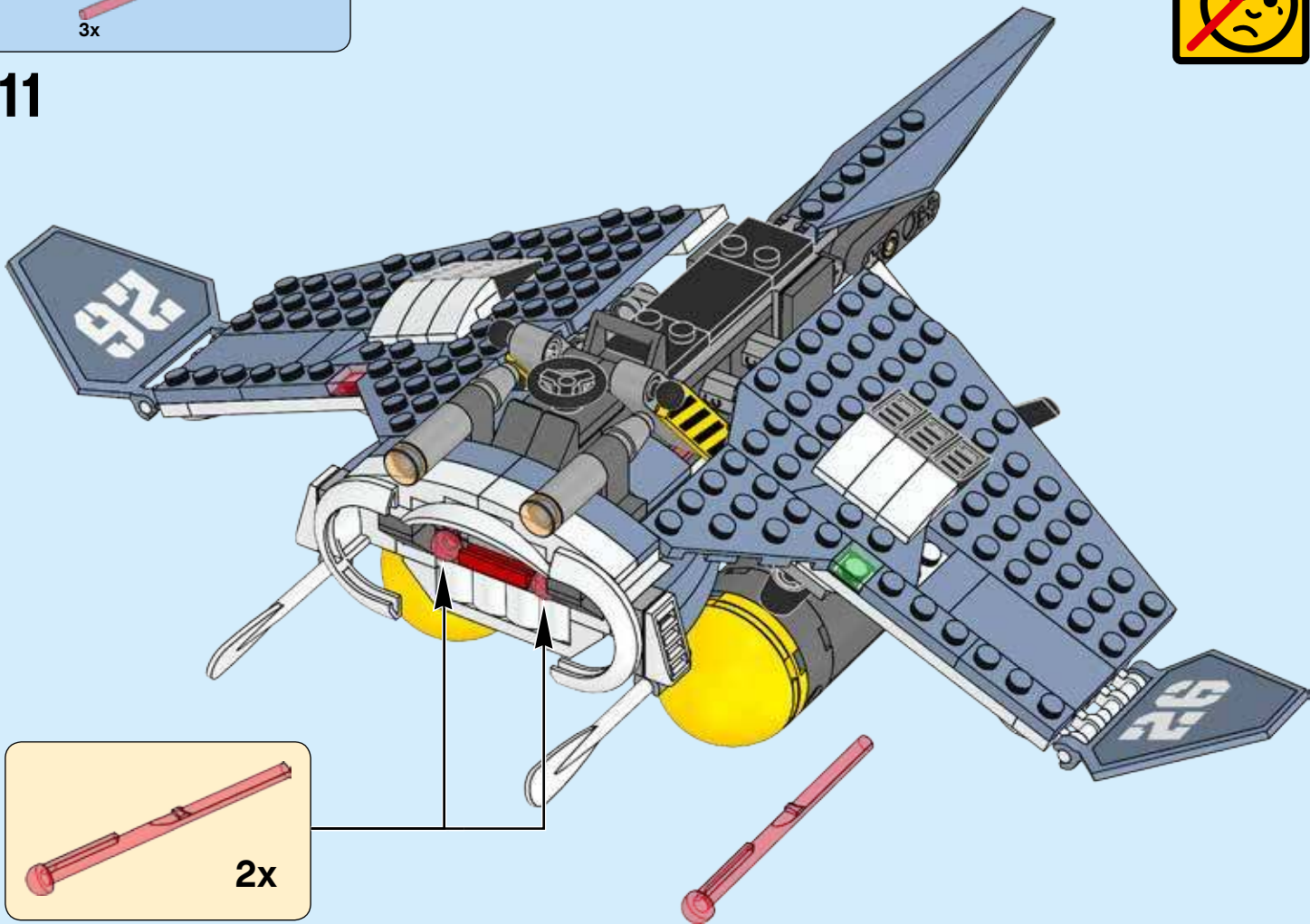


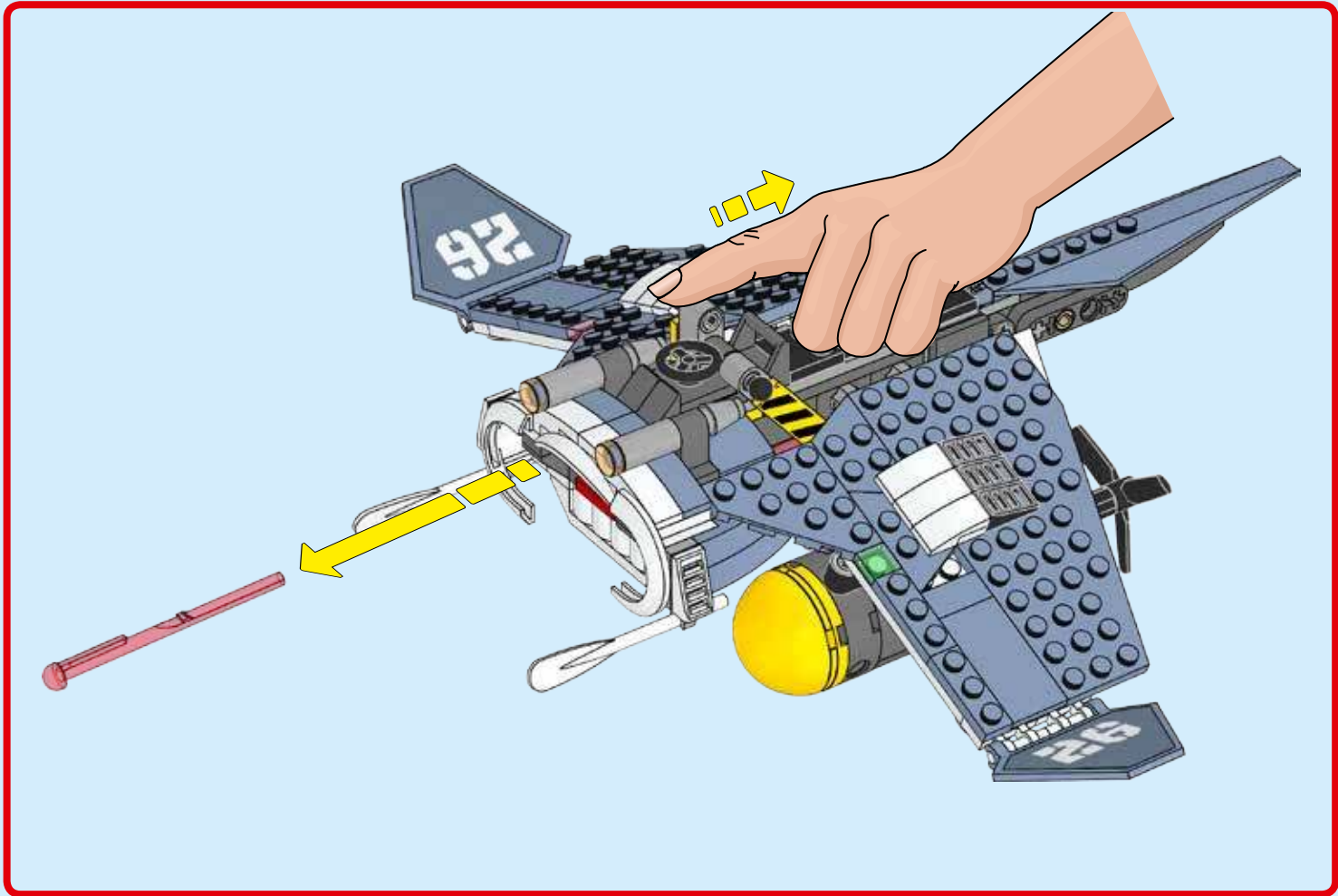
110



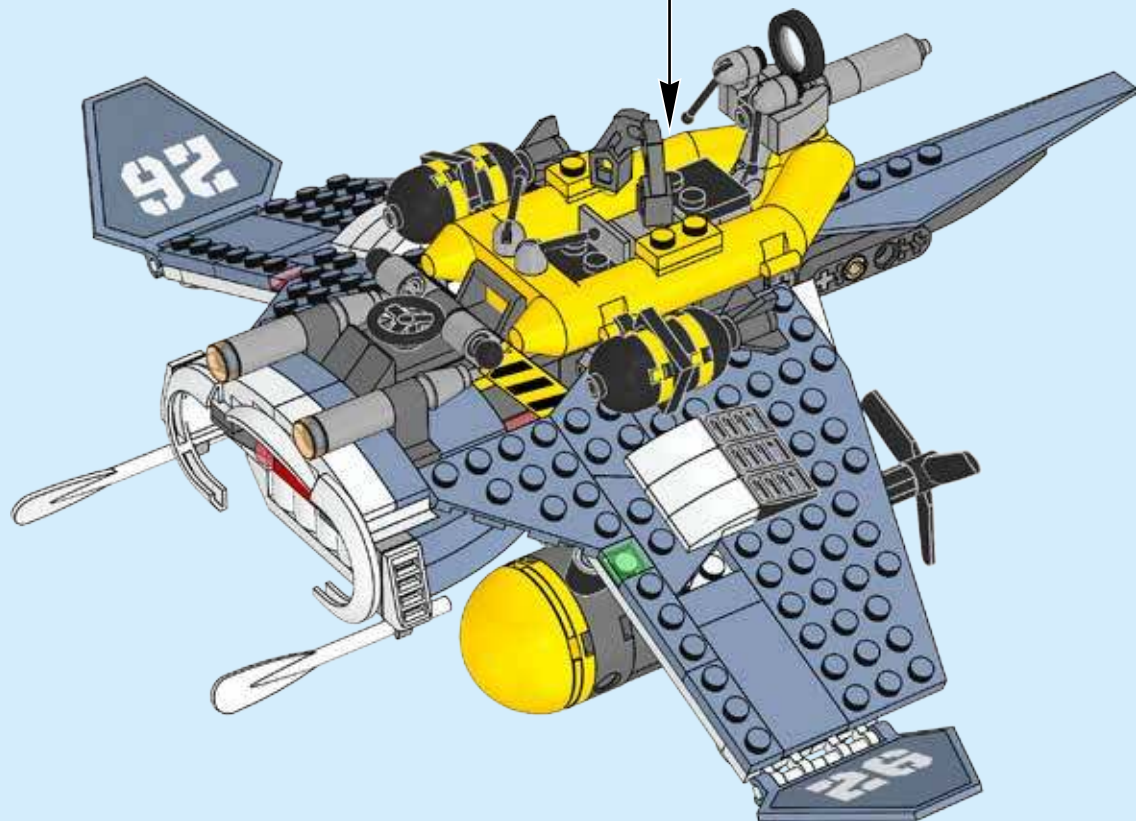
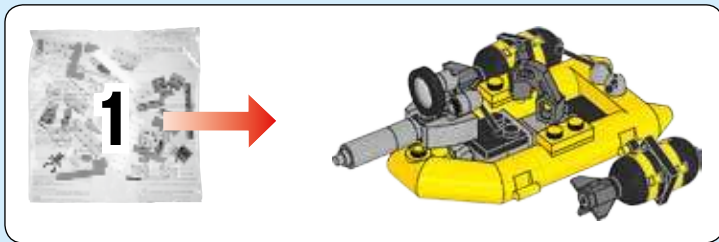


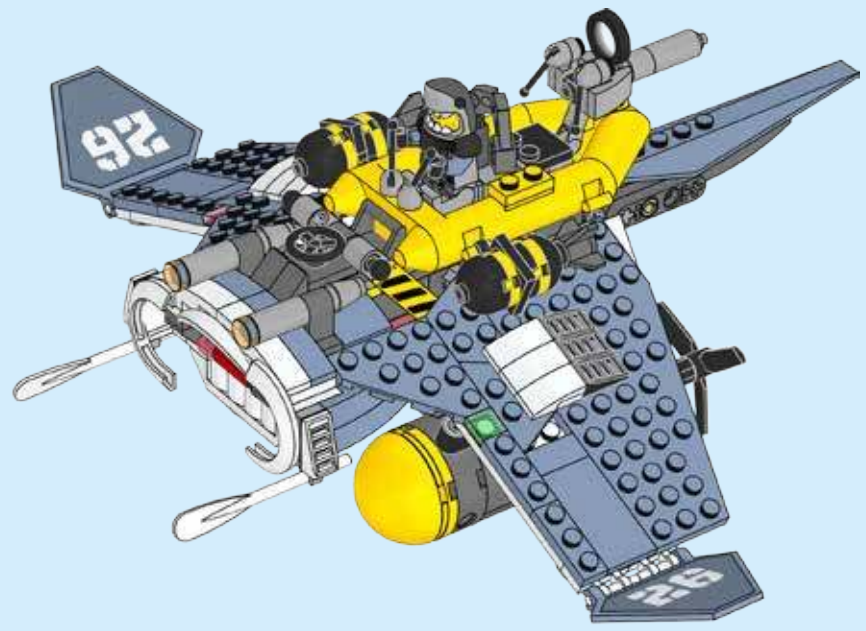
111





112







THE NINJAGO MOVIE



LEGO.COM/NINJAGOMOVIE



THE NINJAGO MOVIE



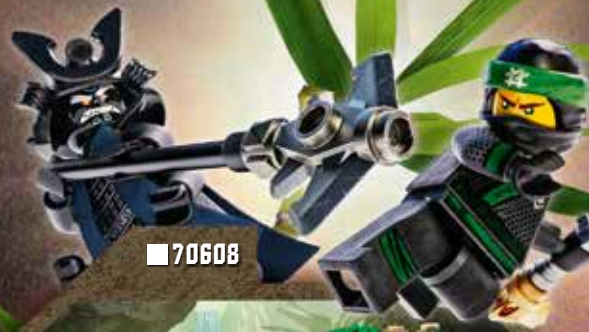
LEGO® WU-CRU
LEGO.com/apps



LEGO.COM/NINJAGOMOVIE

LEGO

THE NINJAGO MOVIE



■ 70608



■ 70606



■ 70607



■ 70609



■ 70611



■ 70612



■ 70614



■ 70615



■ 70618



■ 70617





THE NINJAGO MOVIE

VIDEOGAME



7
www.pegi.info
PROVISIONAL

LEGO.com/videogames



PC



The LEGO logo is displayed in its classic white font with a black outline, set against a red square background.The word "WORLDS" is rendered in a pixelated, blocky font, where each letter is constructed from various colored LEGO bricks. The text is set against a dark blue background with a glowing blue outline.

UNLOCK MODEL IN GAME / Separate purchase required
MODELL IM SPIEL FREISCHALTEN / Separater Kauf erforderlich
DÉBLOQUEZ LE MODÈLE EN JEU / Achat séparé requis
SBLOCCA MODELLO NEL GIOCO / Da acquistare separatamente
DESBLOQUEAR MODELO EN EL JUEGO / A la venta por separado
DESBLOQUEAR MODELO NO JOGO / É necessária compra em separado
MODELL KIOLDÁSA A JÁTÉKBAN / Külön vásárlás isszükséges
在游戏里解锁模型 / 需分开购买

YG43JH



7

www.pegi.info
PROVISIONAL

TT games WB GAMES LEGO GAMES

LEGO.com/worlds

LEGO WORLDS software © 2017 TT Games Ltd. Produced by TT Games under license from the LEGO Group. LEGO, the LEGO logo, the Brick and the Knob configurations and the Minifigure are trademarks of the LEGO Group. © 2017 The LEGO Group. All other trademarks and copyrights are the property of their respective owners. All rights reserved. WB GAMES LOGO, WB SHIELD: ™ & © Warner Bros. Entertainment Inc. (s17)



8x
6178921



2x
300301



2x
362301



6x
4500469



2x
4259940



2x
6045936



1x
4523556



2x
6167187



4x
447701



2x
4503008



1x
6167188

58



1x
4179874



1x
4179875



4x
242001



2x
302201



4x
4278271



3x
6059185



2x
6023804



6x
6034044



4x
6097637



4x
4140583



1x
4287707



1x
4287708



2x
614321



1x
4612575



1x
300121



1x
6152107



1x
4211412



2x
4529241



1x
4211483



1x
4211399



1x
4521921



1x
4558953



4x
4211552



3x
6173127



2x
4211807



2x
4632575



2x
6192577



1x
4219913



1x
6028812



2x
6028813



2x
6146223



1x
4211398



4x
6117967



2x
4535738



6x
4237084



5x
4211815



1x
6193868



1x
6116608



1x
4211394



1x
4211395



2x
4211651



3x
4211438



2x
6048898



1x
4211462



2x
4495935



1x
6162892



2x
370526



2x
4599984



1x
6051527



2x
6093525



2x
302226



2x
4216660



4x
4121715



2x
4512363



6x
4541191



2x
6147050



2x
4184169



2x
4550017



1x
4109810



3x
403226



1x
6057397



2x
6102341



4x
6192346



4x
242026



1x
6012466



1x
4612829



1x
4646867



2x
4666579



1x
4514554



8x
4143005



1x
4206482



4x
4221775



1x
6173926



2x
6195347

5

7

3

4



3x
6054526



1x
6167180



1x
6167179



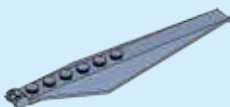
2x
6167183



2x
6167182



2x
6124349



1x
6167186



2x
6142505



2x
6166865



4x
6142245



4x
6111474



6x
6166868



2x
6080355



2x
4626196



1x
4611100



1x
6066142



1x
6116613



1x
6081990



2x
4626884



1x
4216384



2x
4646865



1x
3003941



1x
6192644



1x
6192232



2x
6192798



1x
6192572



1x
6195680



1x
6078575



1x
6192698



1x
6192688



1x
6192016



1x
6192818



1x
6192808



1x
6192666



4x
403224



4x
302324



2x
4611704



2x
6191897



3x
302124



2x
4119091



4x
4515349



1x
6099480



1x
6099480



1x
6174161



8x
4210719



2x
4212352



2x
6012812



2x
6055313



2x
6019987



2x
4211096



2x
6069164



2x
4210763



1x
4211039



5x
6178919



1x
6126083



2x
6015356



2x
4211133



4x
4211104



1x
4547958



4x
4210749



3x
4211043



4x
6106025



1x
4213607



2x
4222113



4x
4211097



2x
4560184



2x
4508553



1x
4210779



1x
4210998



1x
4210997



2x
4210798

5.5

Customer Service

Kundenservice

Service Consommateurs

Servicio Al Consumidor

LEGO.com/service or dial



: 00800 5346 5555

: 1-800-422-5346



THE LEGO NINJAGO MOVIE © & ™ Warner Bros. Entertainment Inc. & The LEGO Group. LEGO, the LEGO logo, NINJAGO and the Brick and Knob configurations are trademarks of the LEGO Group. ©2017 The LEGO Group. All rights reserved. (s17)

6207797



**BILLUND • DEUTSCHLAND
WINDSOR • MALAYSIA**

**EXCLUSIVELY • EXKLUSIV • EXCLUSIVEMENT • EN EXCLUSIVA • ESCLUSIVO
EXCLUSIVAMENTE • KIZÁRÓLAGOSAN • 独家所有 • EKSKLUSIVT • ここだけの特典 • ÖZEL**



Manchester • Berlin • Oberhausen
Istanbul • Osaka • Shanghai • Tokyo



LEGO, the LEGO logo, the Brick and Knob configurations, NINJAGO, the Minifigure and LEGOLAND are trademarks of the LEGO Group. ©2017 The LEGO Group. LEGOLAND is part of Merlin Entertainments plc.

LEGOLAND.COM