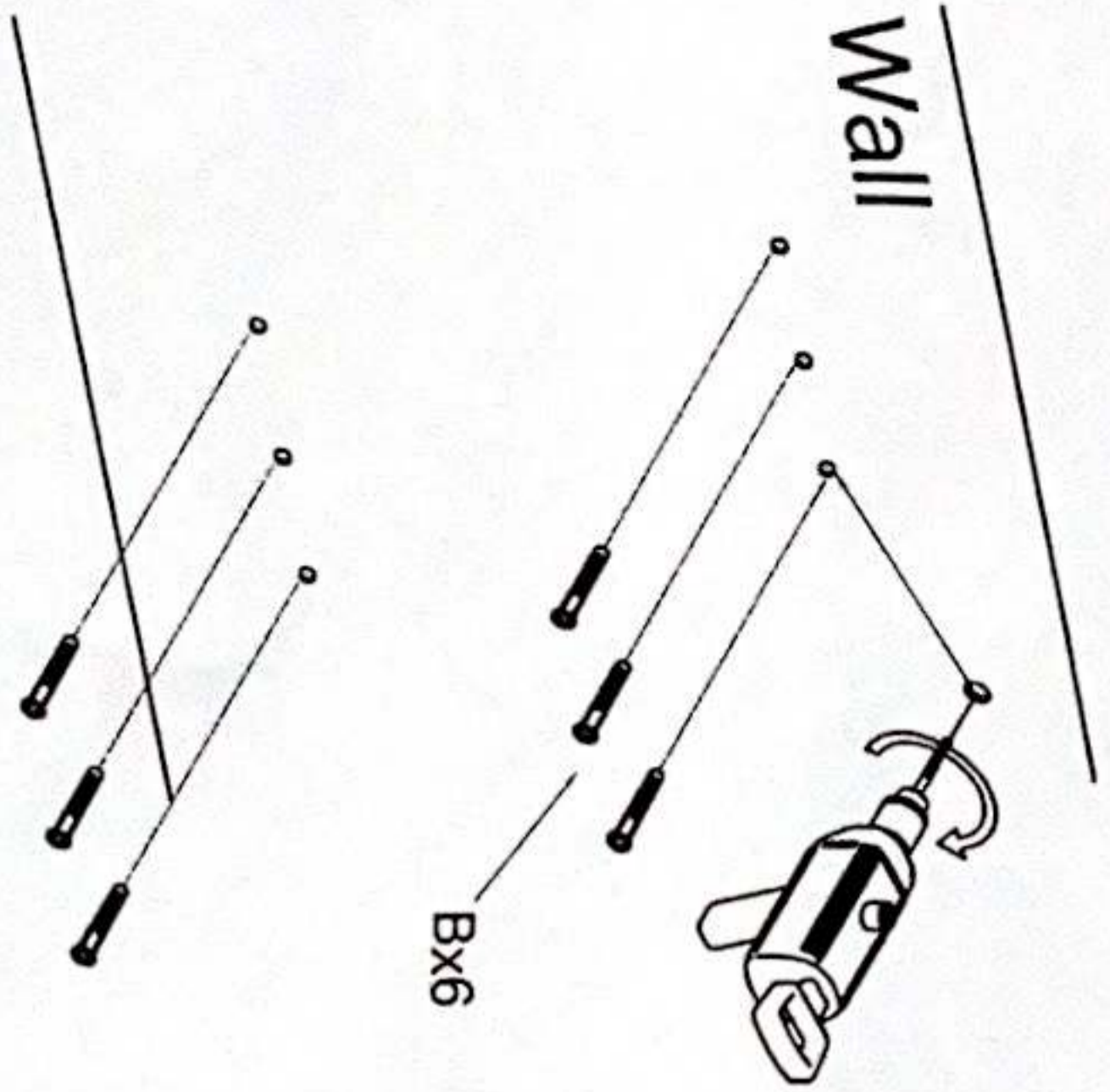
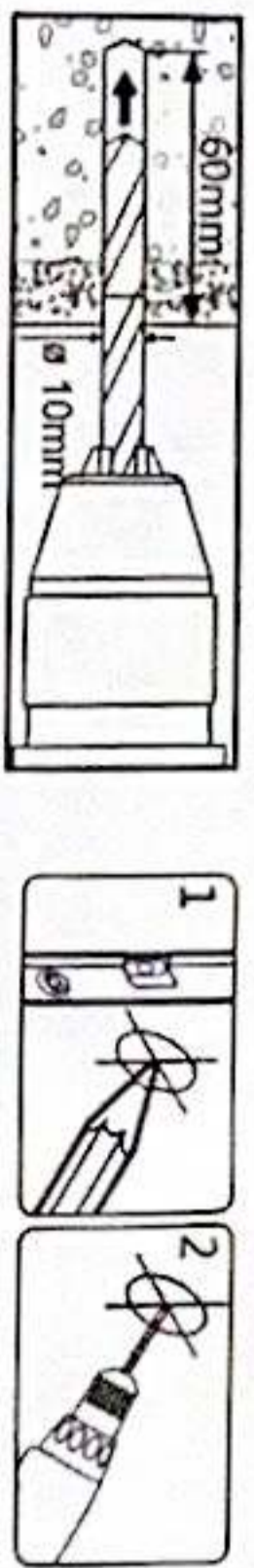
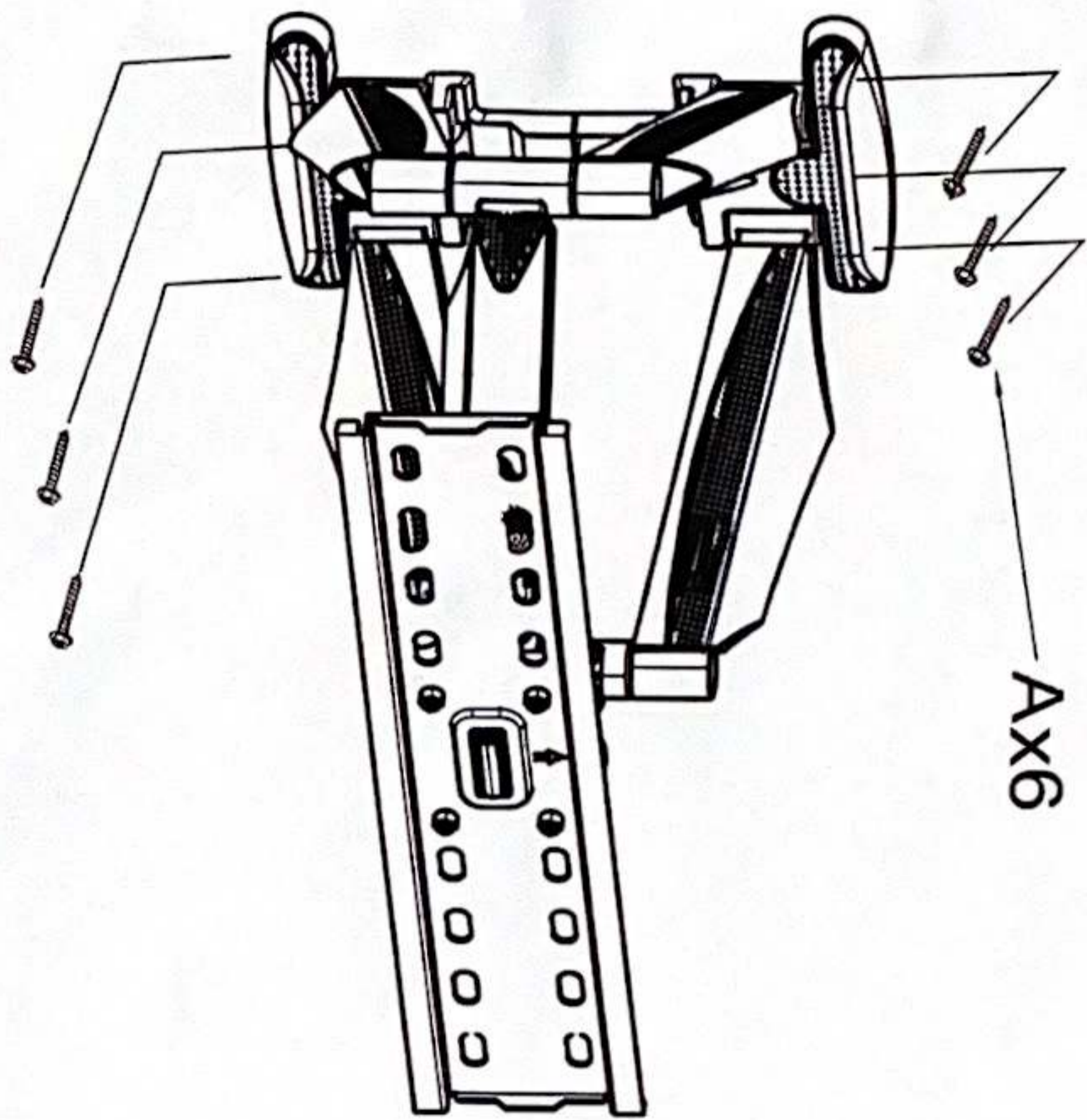


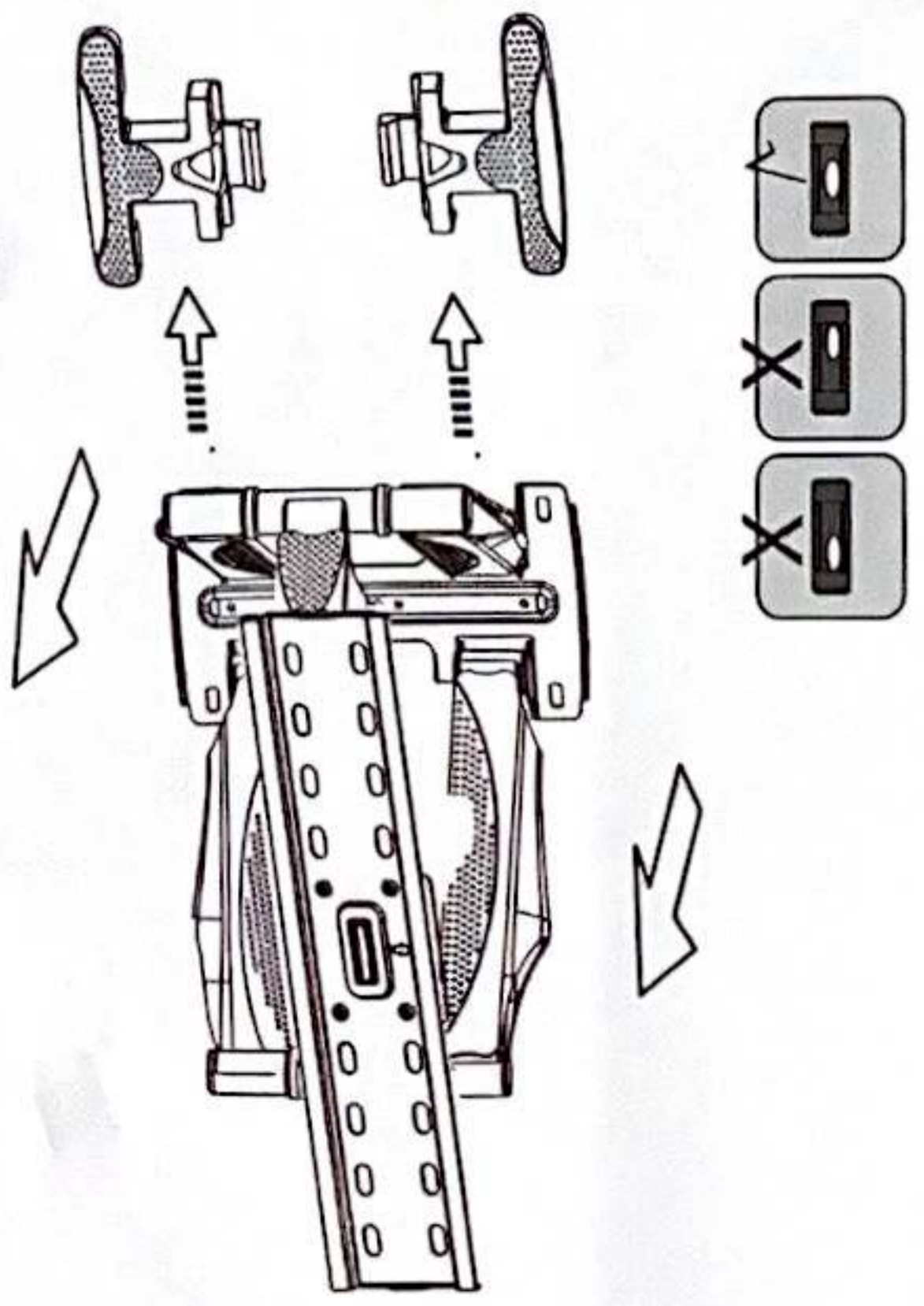
STEP 1



STEP 2

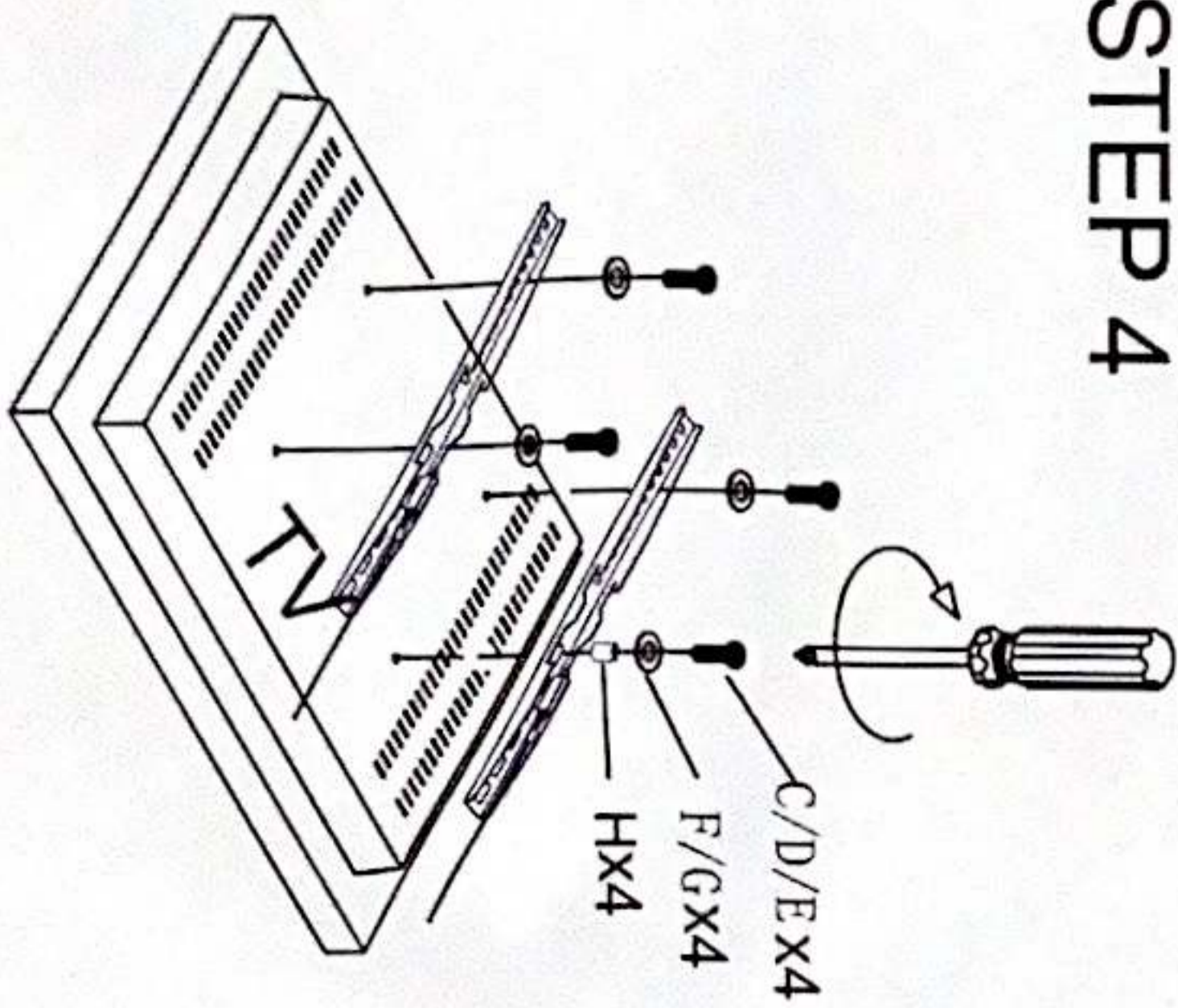


STEP 3

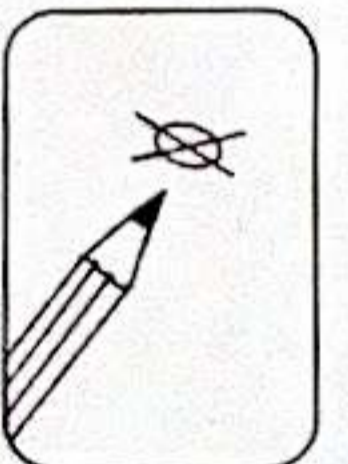
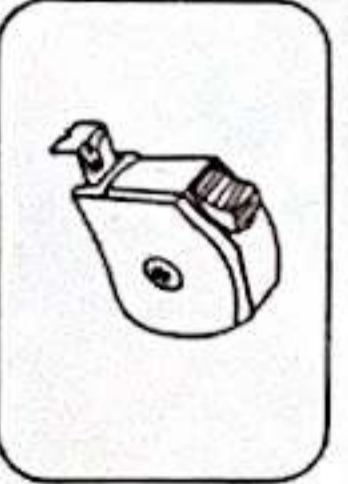
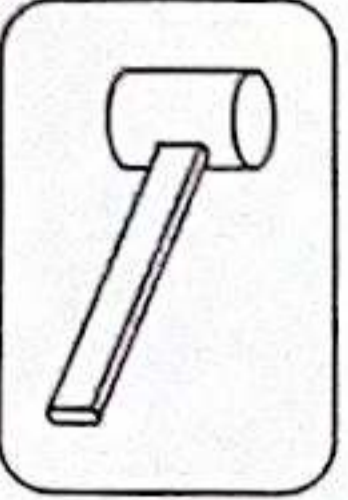
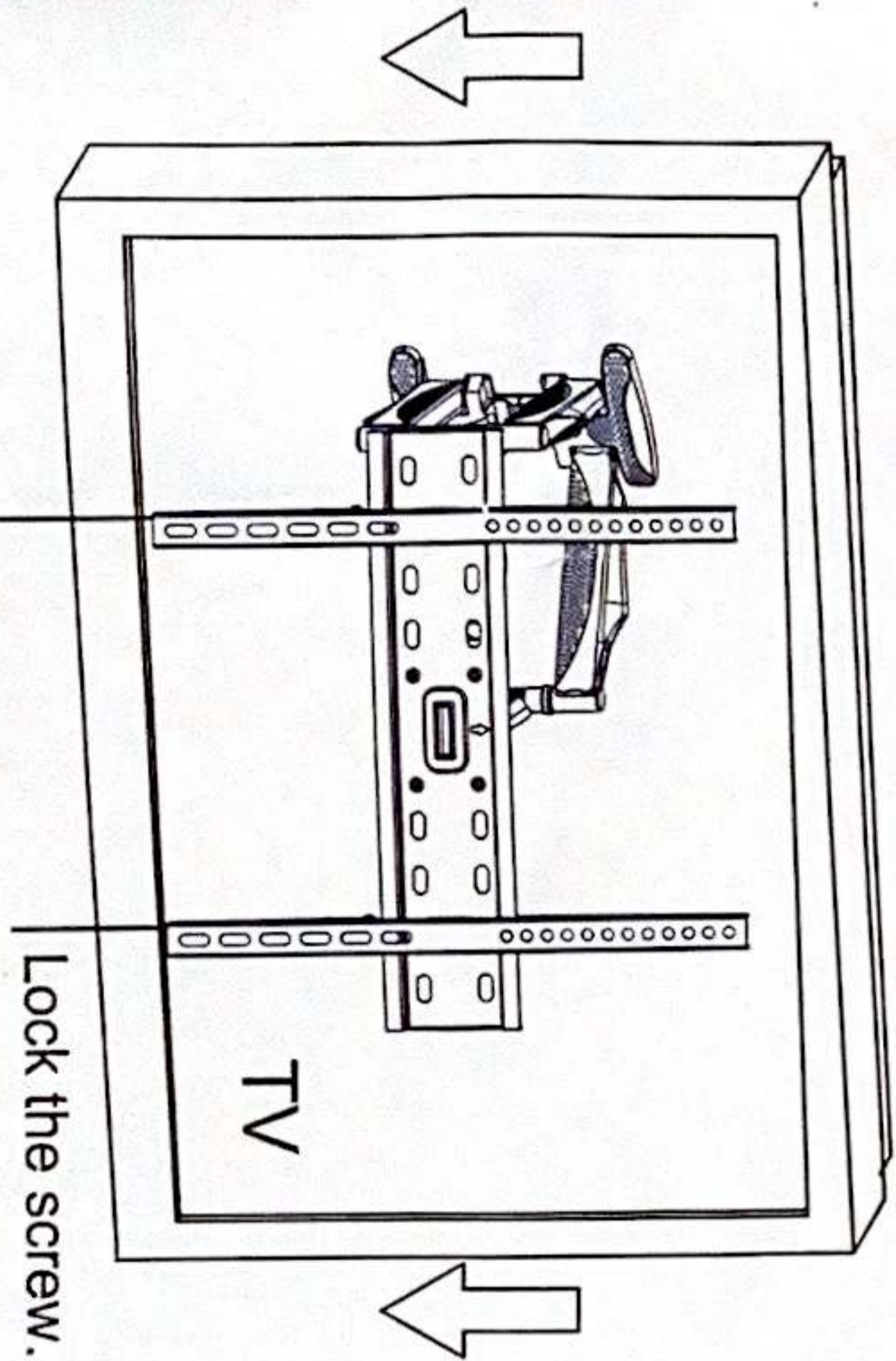


BELLIFE®

STEP 4



STEP 5



A		M6x50	6
B		10x50	6
C		M4x20	4
D		M6x22	4
E		M8x25	4
F		D6	4
G		D5	4
H			4
I			1