

COMICA
PROFESSIONAL AUDIO EQUIPMENT

CVM-V30 LITE

Super Cardioid Condenser Lite Microphone



USER MANUAL

Foreword

Thanks for purchasing COMICA CVM-V30 LITE Super-cardioid condenser lite microphone.

Comica CVM-V30 LITE Super-cardioid condenser lite microphone, suit for camera, smartphone. Meanwhile the Microphone is designed with excellent shock mount, no battery drive, super low noise electronics, super anti-interference, cold-shoe design with 1/4 thread at the bottom, compact and light. which makes recording more easier.

Please read this manual carefully before using. This product has been precisely calibrated at the factory, do not assemble and disassemble parts by yourself.

Notice

- ⚠ When used with smartphone, please purchase separate audio cable adapter with corresponding interface.
- ⚠ For the Android system smartphone, the microphone works well in default audio mode, but default video mode will happen with incompatibility trouble while working with some smartphone; (Then we suggest you try the 3rd party's video APP);
For the iOS system phone, the microphone works well in all default audio mode , video mode, and 3rd party's APP.
- ⚠ Please do not put the device beside the heat or interference source.
- ⚠ Please avoid falling, collision or pounding during usage.
- ⚠ Don't expose the device in rain or moist environment .

Main Features

- .Super-Cardioid Polar Pattern
- .Support Smartphone & Camera
- .Excellent Shock Mount
- .No Battery Drive Design
- .Super Low Noise Electronics
- .Super Anti-interference
- .Cold-shoe Design with 1/4 Thread at the Bottom
- .Compact and Light, Easy to Carry



Support
Camera&Smartphone



Low Self-noise



Super
Anti-Interference



Super-Cardioid



Excellent
Shock-absorbing

Package Content



Microphone



User Manual

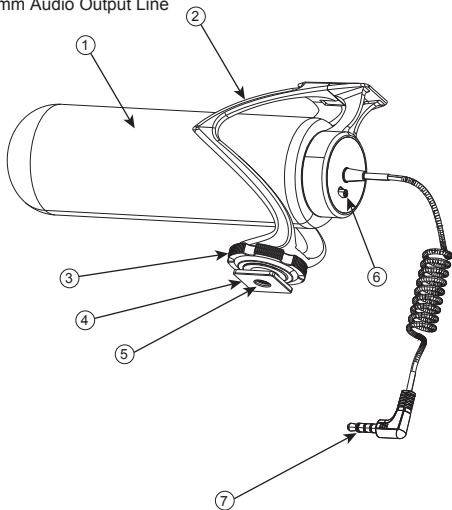


Warranty Card

Components Introduction

Microphone

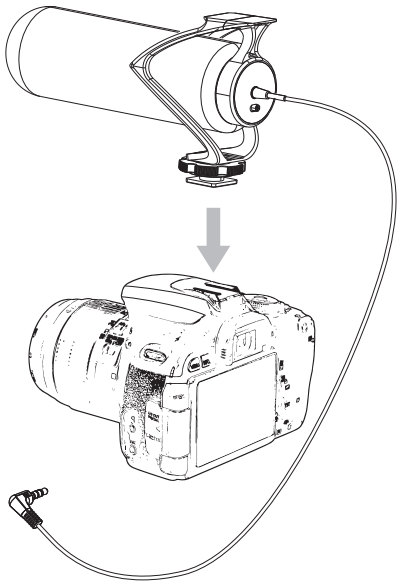
- ① Microphone Interference Tube
- ② Shock Mount
- ③ Locking Screw
- ④ Cold-shoe Bracket
- ⑤ 1/4 Screw Hole
- ⑥ Smartphone/Camera switch
- ⑦ 3.5mm Audio Output Line



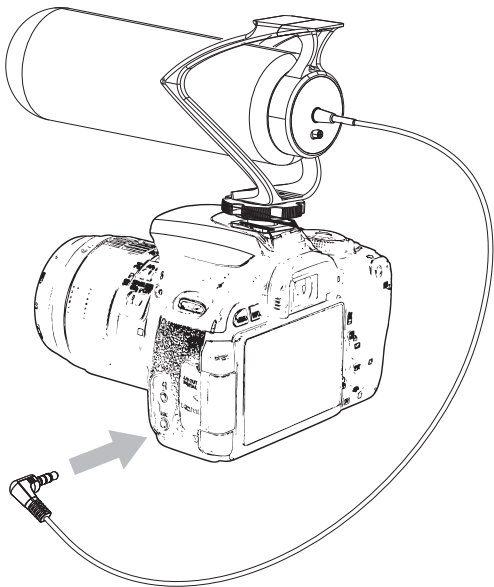
Installation and Operation

1. Use with Camera

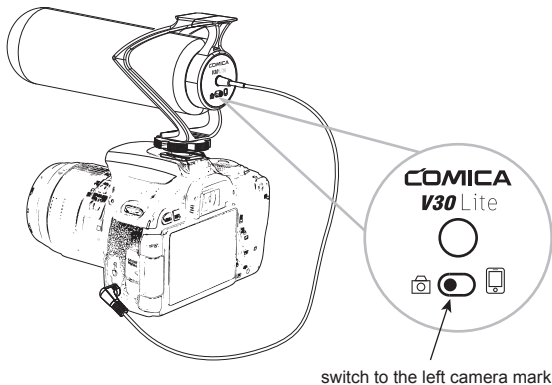
- 1.1 Attach the microphone cold shoe bracket to the camera, fasten the Locking Screw .



1.2 Connect the microphone's 3.5mm audio output line and Camera.

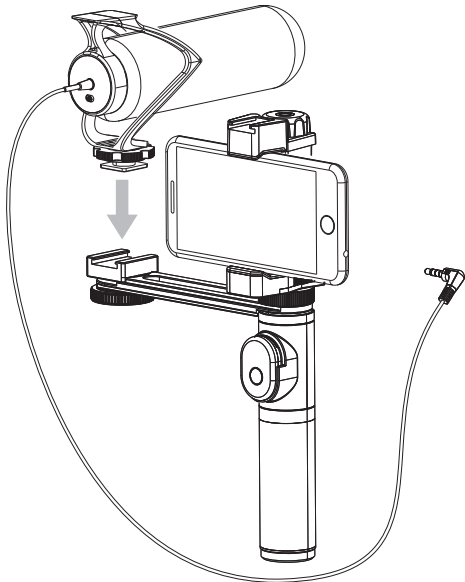


1.3 Set the smartphone/camera switch to the left camera mark.

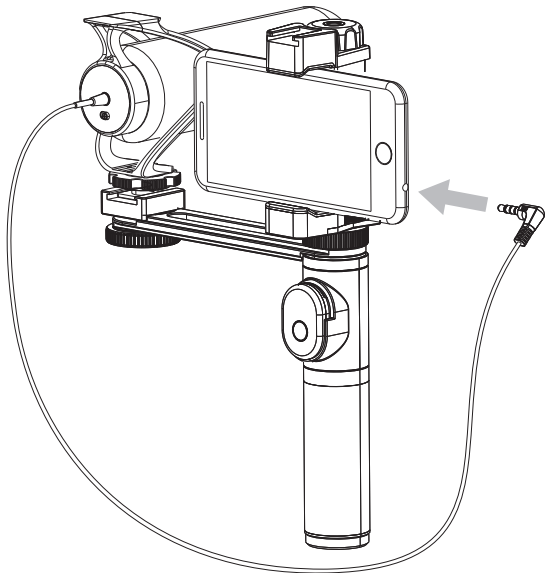


2. Use with Smartphone

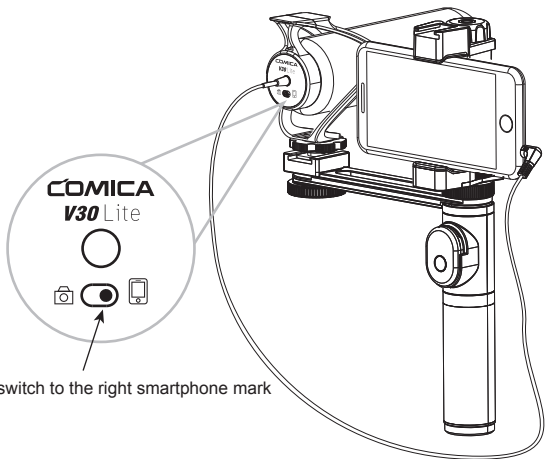
2.1 Mount microphone cold shoe bracket to accessories with cold shoe interface (recommended VF-H1), fasten the Locking Screw.



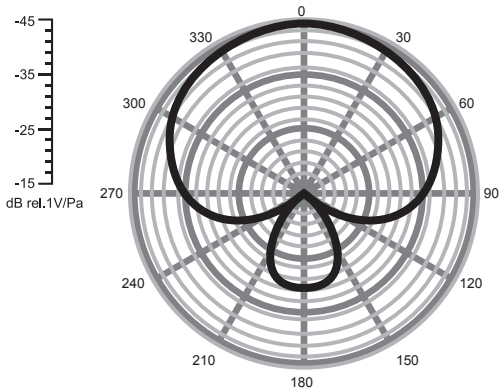
2.2 Connect the microphone's 3.5mm audio output line and smartphone.



2.3 Set the smartphone/camera switch to the right smartphone mark.



Tech Parameters



Polar Pattern	Super Cardioid
Frequency Range	40Hz~20KHz
Output Impedance	2.2k Ω
Max.SPL	>100dB
Sensitivity	-34dB \pm 3dB
Signal to Noise Ratio	>68dB
Weight	52g
Dimension	160*50.8*86mm

COMICA
PROFESSIONAL AUDIO EQUIPMENT

CVM-V30 LITE

超心型指向电容式麦克风轻筒版



用户使用手册

前 言

感谢您购买科唛COMICA CVM-V30 LITE轻筒版超心型指向电容式麦克风。

此产品采用超心型指向技术，可搭配手机，相机使用。同时该麦克风拥有独创的减震架设计，无需电池驱动，超低底噪，超强屏蔽功能，冷靴底座1/4螺孔设计，轻便易携，让录音无所顾虑！

使用前请认真阅读此使用说明书，本产品在出厂时已进行精密校准，请勿自行组装拆卸零部件，否则不予保修！

注意事项

- ⚠ 当配合手机使用时请另外购买相关音频输入接口转换线；
- ⚠ 配合Android（安卓）系统的手机使用时，录音模式下均可正常工作，视频模式下部分手机会出现不兼容情况（此时建议使用第三方视频软件，如：抖音，快手等）；
配合iOS系统手机使用时，在所有录音模式、视频模式以及第三方视频软件下均可正常使用；
- ⚠ 使用时请远离热源或干扰源
- ⚠ 使用时请避免掉落，碰撞或重击
- ⚠ 请勿在下雨或潮湿环境环境中使用，否则会有短路的危险

产品主要功能

- . 超心型指向
- . 支持相机/手机
- . 独创的减震架设计
- . 无电池驱动设计
- . 超低底噪
- . 超强屏蔽功能
- . 冷靴底部1/4螺孔设计
- . 轻便易携



支持相机/手机



超低底噪



超强抗干扰



超心型指向



独创减震架

包装清单



麦克风



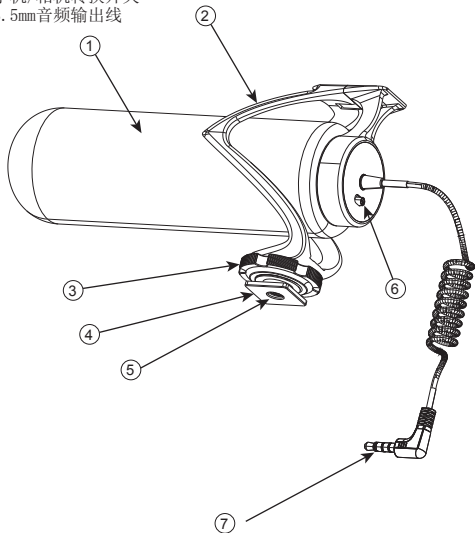
说明书



保修卡

麦克风

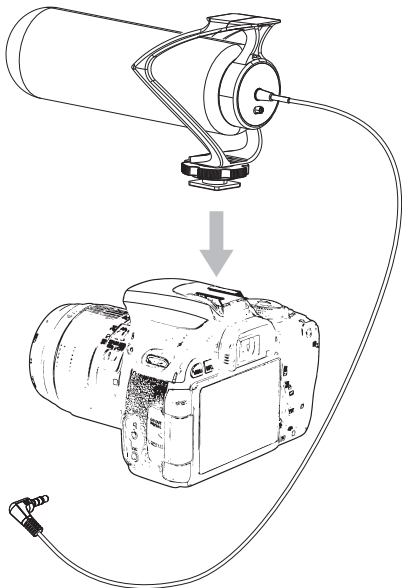
- ① 干涉管
- ② 减震支架
- ③ 转牙锁盘
- ④ 冷靴底座
- ⑤ 底部1/4延展螺孔
- ⑥ 手机/相机转换开关
- ⑦ 3.5mm音频输出线



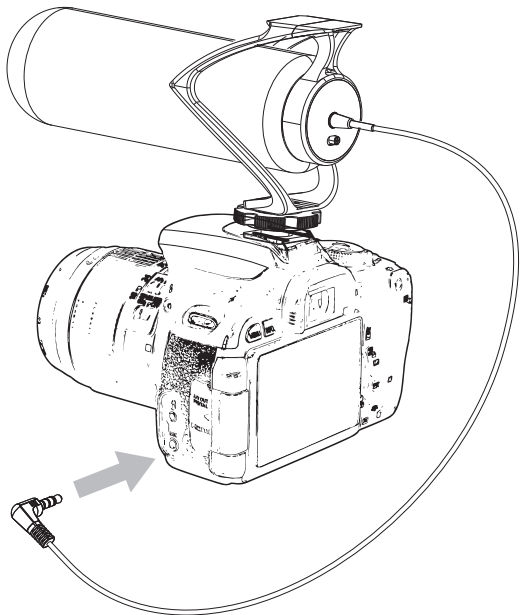
安装与使用

1. 搭配相机使用

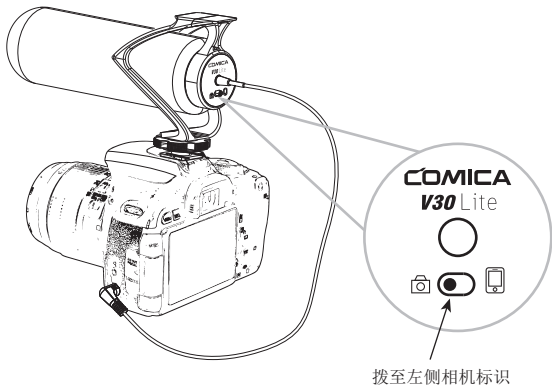
1.1 将麦克风冷靴底座安装至相机，拧紧转牙锁盘至固定



1.2 将麦克风3.5mm音频输出线与相机相连

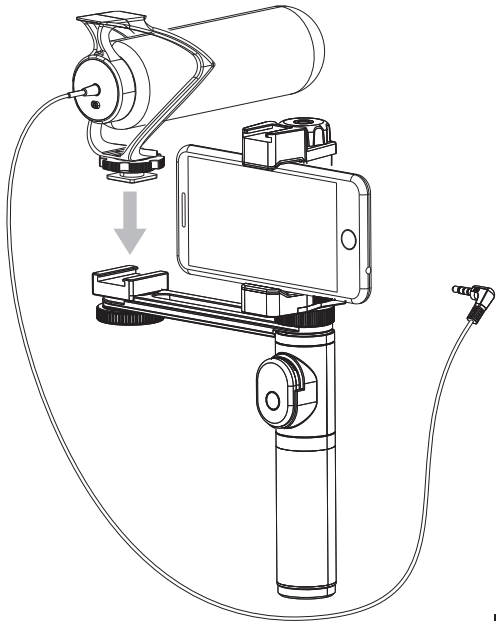


1.3 将手机/相机转换开关拨至左侧相机标识处

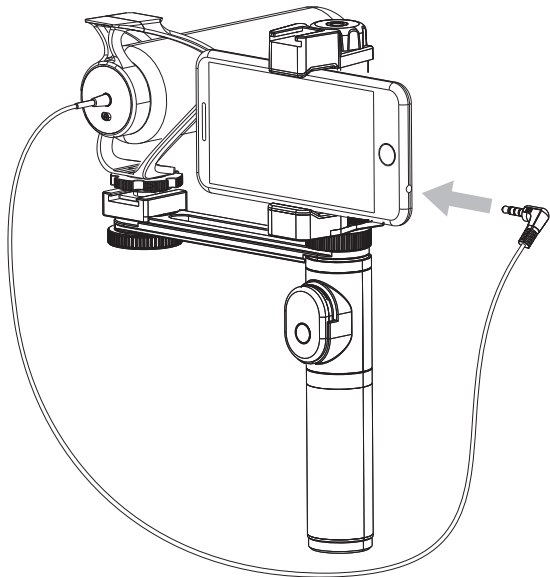


2. 搭配手机使用

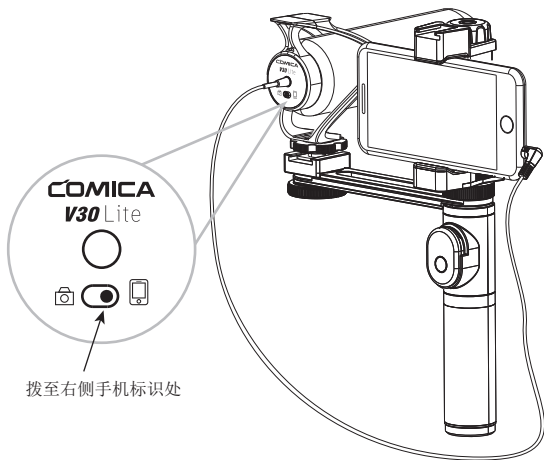
- 2.1 将麦克风冷靴底座安装至带冷靴接口的配件（推荐VF-H1），拧紧转牙锁盘至固定



2.2 将麦克风3.5mm音频输出线与手机相连

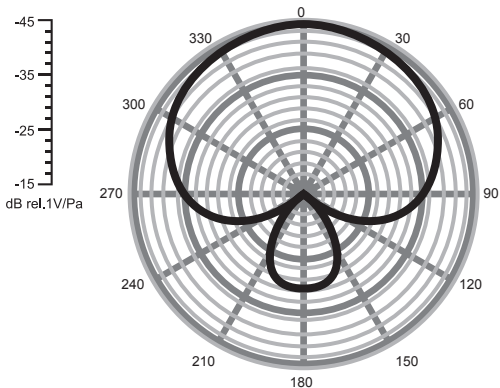


2.3 将手机/相机转换开关拨至右侧手机标识处



拨至右侧手机标识处

技术参数



指向性	超心型
频响范围	40Hz~20KHz
输出阻抗	2.2 k Ω
最大SPL	>100dB
灵敏度	-34dB \pm 3dB
信噪比	>68dB
产品重量	52g
产品尺寸	160*50.8*86mm



www.comica-audio.com