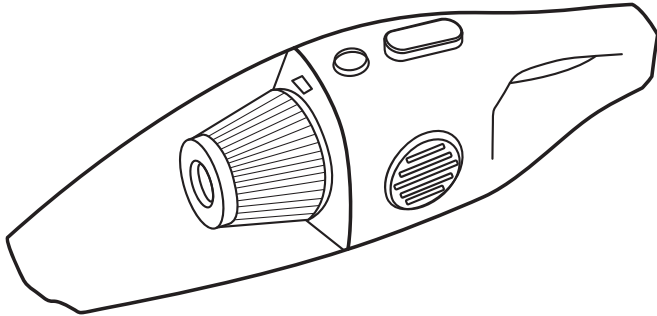


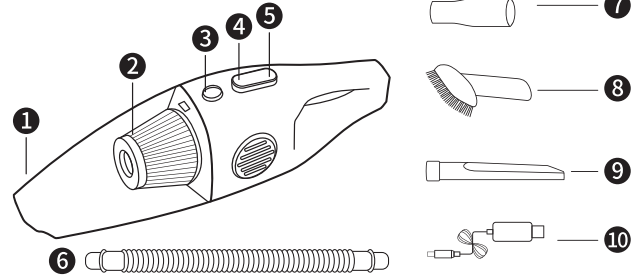
# HANDHELD VACUUM CLEANER

(Please read following instruction manual carefully before use)

## Instruction Manual

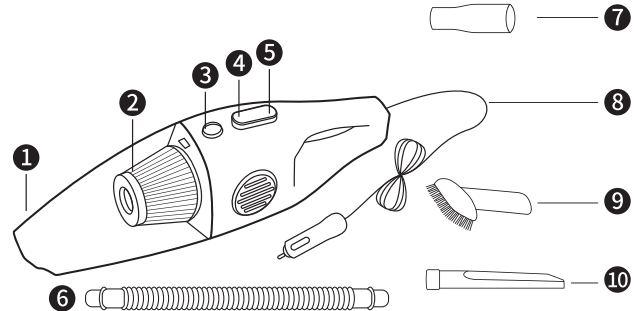


### RECHARGABLE



- 1.Dust Collecting Bin 2.HEPA 3.Switch for Dust Collecting Bin  
4.Battery Indicator 5.ON/OFF Switch 6.Hose 7.Auxiliary joint  
8.Brush Nozzle 9.Long flat nozzle 10.USB

### VEHICLE-MOUNTED



- 1.Dust Collecting Bin 2.HEPA 3.Switch for Dust Collecting Bin  
4.Battery Indicator 5.ON/OFF Switch 6.Hose 7.Auxiliary joint  
8.Cigarette lighter 9.Brush Nozzle 10.Long flat nozzle

## PRECAUTIONS:

- 1.Do not dismantle,repair or modify the product unless authorized by repair personnel.
- 2.Do not cover the inler or outlet when operating the product. Otherwise,the product may be deformed even caught fire due to overheating.
- 3.Do not inhale the inflammables such as burning cigarettes when using this product.
- 4.The vehicle-mounted type can not be applicable for other voltage except for DC12V.
- 5.Please unplug the cigarette plug immediately after using the vehicle-mounted product.In case of breaking cable or damaging cigarette plug, please do not yank the power cord.  
Do not use the rechargeable vacuum cleaner when charging.Protect the product from the direct exposure to sun,keep it in dark place after use.
- 6.High efficiency filter after wash,be sure to dry and then use.

## WARRANTY CARD:

User name		Telephone	
User address			
E-mail		QQ number	
Purchasing address		Agency	

## WARRANTY DESCRIPTION:

- 1.This warranty card should be properly kept by the user as warranty certificate.
- 2.The warranty period is three months from the date of purchase. During the warranty period,due to product quality problems, users can contact our company or local dealers with the original or copy of invoice,we will be responsible for “three guarantee”
- 3.Non-quality problems are not included in “three guarantee”

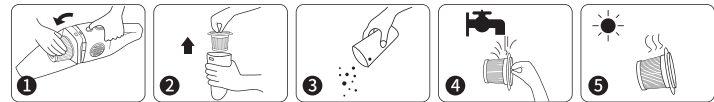
## SPECIFICATION

	Rechargeable	Vehicle-mounted
Power	120W	120W
Voltage	12.6V/8.4V	DC 12V
Line length		4.5M
Working time	20-30 minutes	
Battery capacity	2600mAh	

## USAGE:

- 1.(Rechargeable type) The products should be fully charged before use.Please turn on the ON/OFF switch to use  
(Vehicle-mounted type)Put the cigarette lighter into the cigarette lighter jack after start the car.
- 2.Please use right nozzle for different occasions. It will be more effective to keep suction nozzle flat on ground.
- 3.Press the button for dust bin in front of power switch,take down the dust bin and clean the filter.
- 4.Do not inhale inflammables when using this product,such as burning cigarettes.
- 5.(Rechargeable type)This product is equipped with USB charging cable.Its discharge time is about 20-30 minutes after fully charged. (It should be charged if only one light left on battery indicator)

## CLEAN METHOD



1. Press the button for dust bin and take down the dust bin
2. Take out the Hepa filter as the pictuer shows
3. Pour out the garbage
4. Wash the Hepa filter and dust bin
5. Airing the Hepa filter and dust bin