

Model 223-FL / Model 234-FL
Model 238-FL

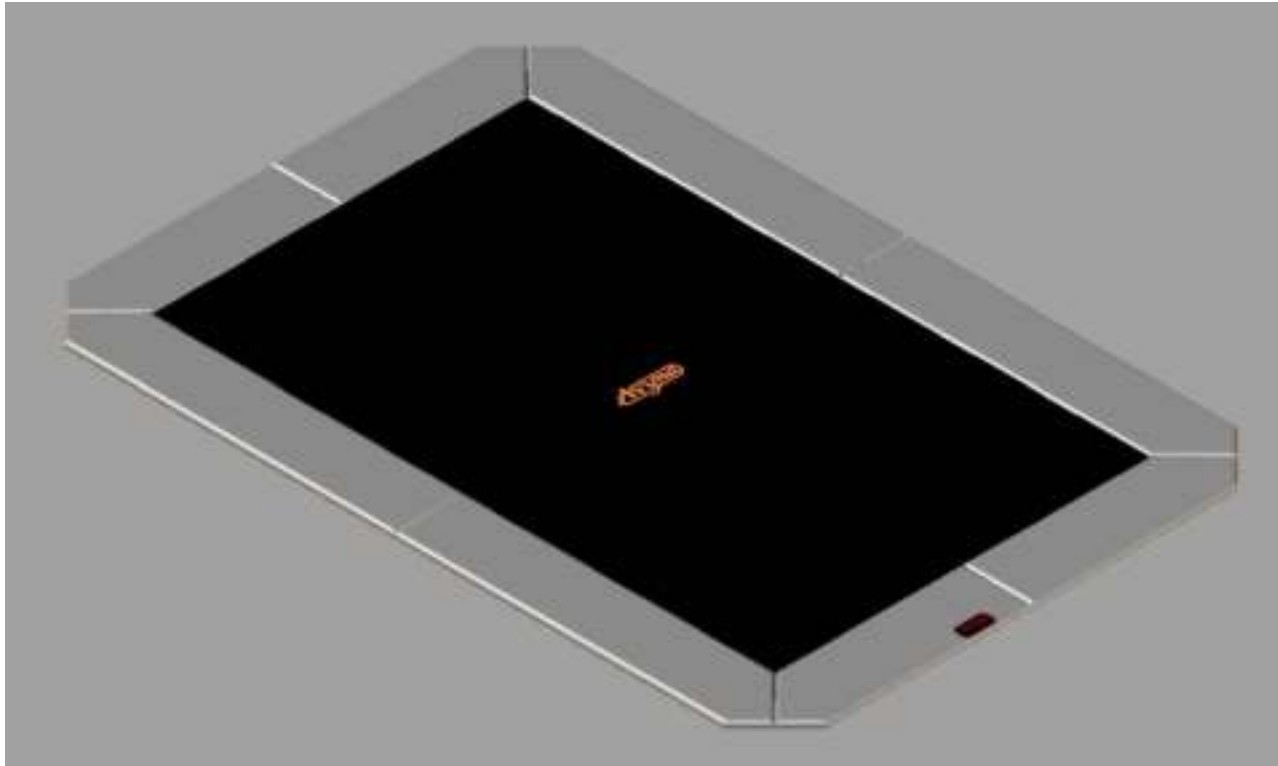














Avyna







Rectangular Trampolines













Assembly manual




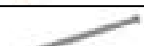

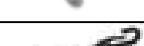
Model 223-FL / Model 234-FL / Model 238-FL



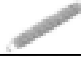


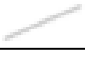
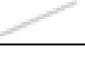
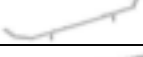
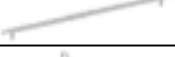








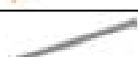


| Model-223-FL APPROX 305x225cm | | | |
|-------------------------------------|-------------|--|--|
| Quantity | Part number | | |
| Jumping mat | 1 | TEPL-223-FL-222 |  |
| Galvanized spring L=175mm Ø3.2mm | 74 | TEPL-200-211/C |  |
| Galvanized spring L=140mm Ø3.2mm | 4 | TEPL-200-211/E |  |
| Safety pad | 1 | TEPL-223-FL-333-green or AVGR-223-FL-333-grey or AVBL-223-FL-333-black |  |
| Fastener for safety pad | 20 | TEPL-ELAS-B |  |
| I-tube | 2 | TEPL-223-FL-802 / A |  |
| I-tube | 2 | TEPL-223-FL-802 / B |  |
| C-tube | 2 | TEPL-223-FL-113 |  |
| K-tube | 2 | TEPL-223-FL-114 |  |
| Tool for spring | 1 | TOOL-SPRING |  |
| Screw M8 | 16 | M8-16 |  |
| Plastic plate | 4 | 223-FL-121 |  |

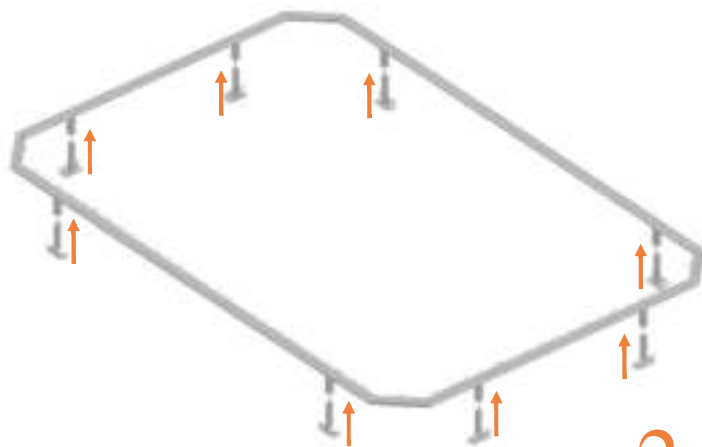
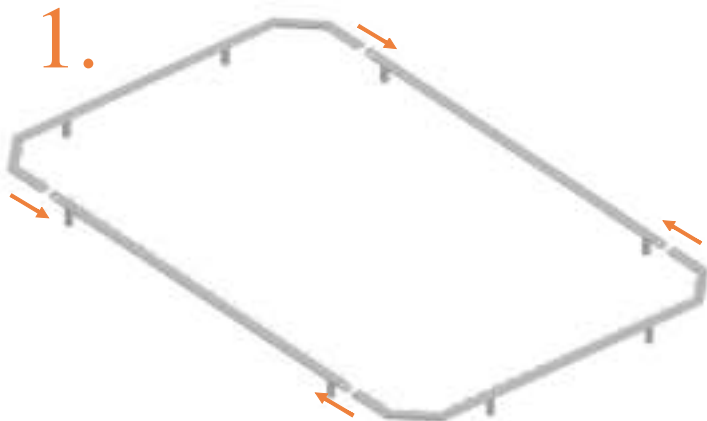
| Model-223-FL APPROX 305x225cm | | | |
|----------------------------------|-------------|------------------|---|
| Quantity | Part number | | |
| L-tube | 4 | TEPL-223-FL-802 |  |
| I-tube | 8 | TEPL-223-FL-115 |  |
| Measuring rod L=220mm | 1 | MEASRING ROD / A |  |
| Measuring rod L=600mm | 1 | MEASRING ROD / B |  |
| Parker screw | 36 | M4x16 |  |
| Fastener for safety pad | 20 | TEPL-ELAS-D |  |
| Users Manual | 1 | 208010101 | |
| Warning Card | 1 | 208040101 | |
| Tie rip for warning card | 1 | 209010102 | |
| Safety manual | 1 | 208010301 | |

| Model-234-FL APPROX 340x240cm | | | |
|-------------------------------------|-------------|--|--|
| Quantity | Part number | | |
| Jumping mat | 1 | TEPL-234-FL-222 |  |
| Galvanized spring L=215mm ø3.2mm | 78 | TEPL-200-211/A |  |
| Galvanized spring L=175mm ø3.2mm | 4 | TEPL-200-211/C |  |
| Safety pad | 1 | TEPL-234-FL-333-green or AVGR-234-FL-333-grey or AVBL-234-FL-333-BLACK |  |
| Fastener for safety pad | 20 | TEPL-ELAS-B |  |
| I-tube | 2 | TEPL-234-FL-802 / A |  |
| I-tube | 2 | TEPL-234-FL-802 / B |  |
| C-tube | 2 | TEPL-234-FL-113 |  |
| K-tube | 2 | TEPL-234-FL-114 |  |
| Tool for spring | 1 | TOOL-SPRING |  |
| Screw | 16 | M8-16 |  |
| Plastic plate | 4 | 234-FL-121 |  |

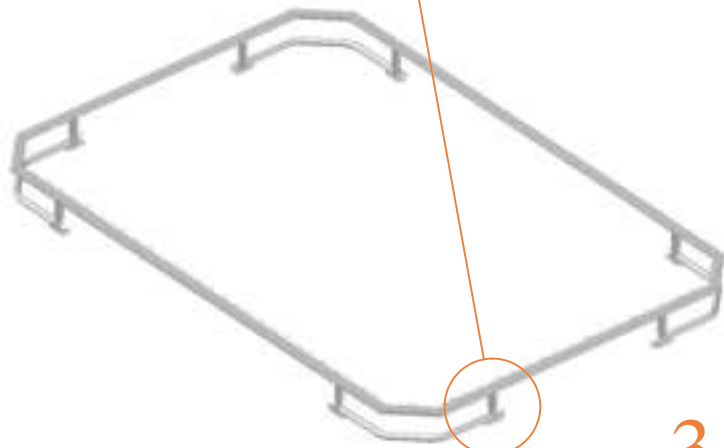
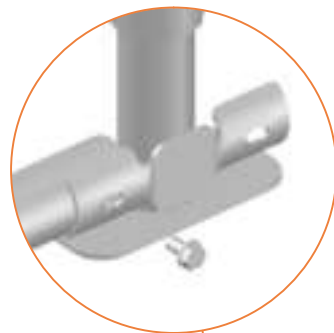
| Model-234-FL APPROX 340x240cm | | | |
|----------------------------------|-------------|------------------|---|
| Quantity | Part number | | |
| L-tube | 4 | TEPL-234-FL-802 |  |
| I-tube | 8 | TEPL-234-FL-115 |  |
| Measuring rod L=220mm | 1 | MEASRING ROD / A |  |
| Measuring rod l=800mm | 1 | MEASRING ROD / B |  |
| Parker screw M4 | 36 | M4x16 |  |
| Fastener for safety pad | 20 | TEPL-ELAS-D |  |
| Users Manual | 1 | 208010101 | |
| Warning Card | 1 | 208040101 | |
| Tie rip for warning card | 1 | 209010102 | |
| Safety manual | 1 | 208010301 | |

| Model-238-FL APPROX 380x255cm | | | |
|-------------------------------------|----------|--|--|
| | Quantity | Part number | |
| Jumping mat | 1 | TEPL-238-FL-222 |  |
| Galvanized spring L=215mm Ø3.2mm | 90 | TEPL-200-211/A |  |
| Galvanized spring L=175mm Ø3.2mm | 4 | TEPL-200-211/C |  |
| Safety pad | 1 | TEPL-238-FL-333-green or AVGR-238-FL-333-grey or AVBL-238-FL-333-BLACK |  |
| Fastener for safety pad | 20 | TEPL-ELAS-B |  |
| I-tube | 2 | TEPL-238-FL-802 / A |  |
| I-tube | 2 | TEPL-238-FL-802 / B |  |
| C-tube | 2 | TEPL-238-FL-113 |  |
| K-tube | 2 | TEPL-238-FL-114 |  |
| Tool for spring | 1 | TOOL-SPRING |  |
| Screw | 16 | M8-16 |  |
| Plastic plate | 4 | 238-FL-121 |  |

| Model-238-FL APPROX 380x255cm | | | |
|----------------------------------|----------|------------------|---|
| | Quantity | Part number | |
| L-tube | 4 | TEPL-238-FL-802 |  |
| I-tube | 8 | TEPL-238-FL-115 |  |
| Measuring rod L=220mm | 1 | MEASRING ROD / A |  |
| Measuring rod L=800mm | 1 | MEASRING ROD / B |  |
| Parker screw | 36 | M4x16 |  |
| Fastener for safety pad | 20 | TEPL-ELAS-D |  |
| Users Manual | 1 | 208010101 | |
| Warning Card | 1 | 208040101 | |
| Tie rip for warning card | 1 | 209010102 | |
| Safety manual | 1 | 208010301 | |

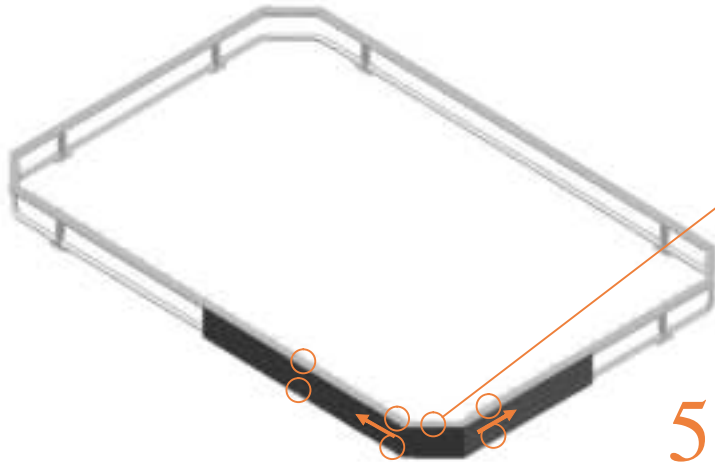
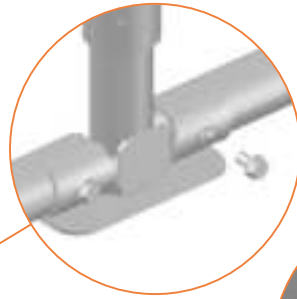
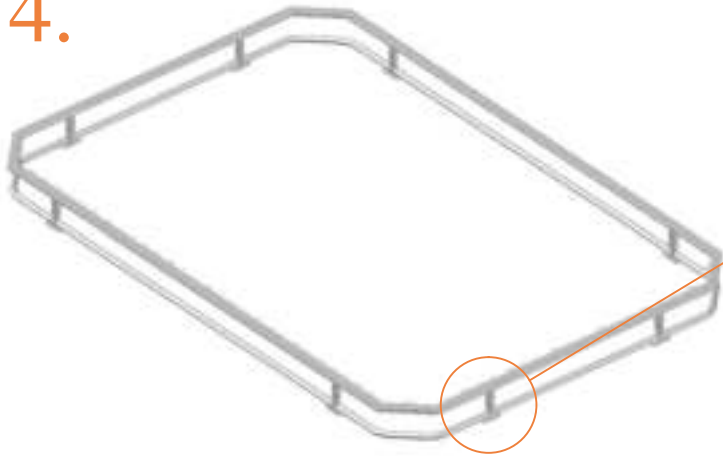


2.

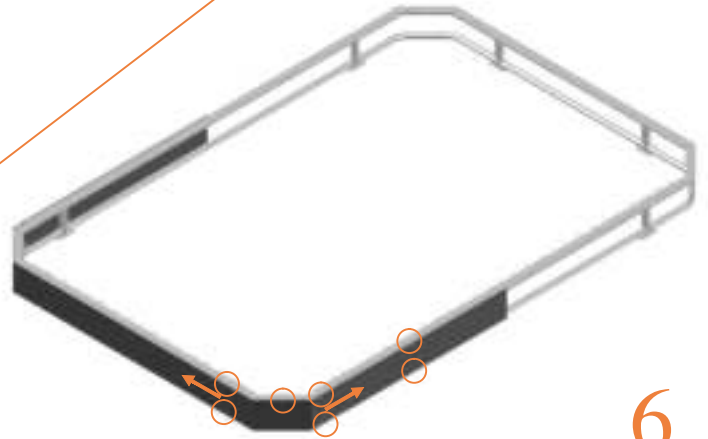


3.

4.

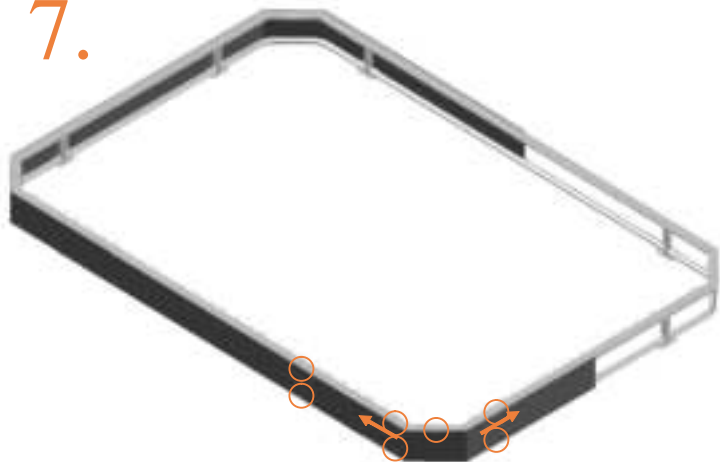


5.

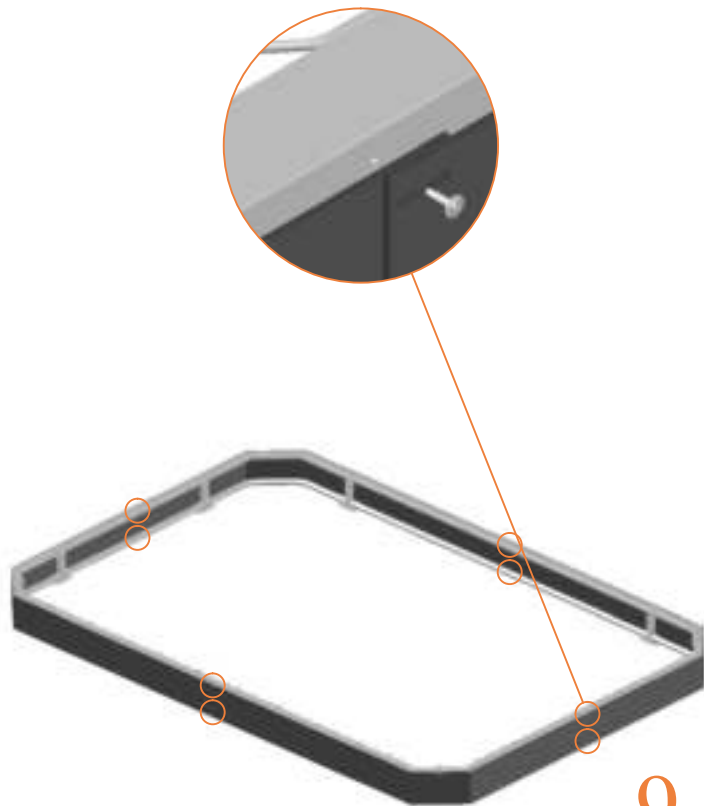


6.

7.

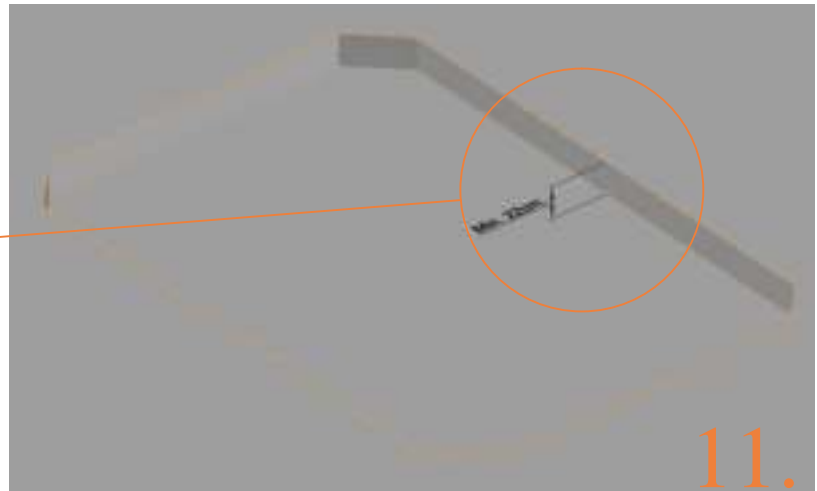
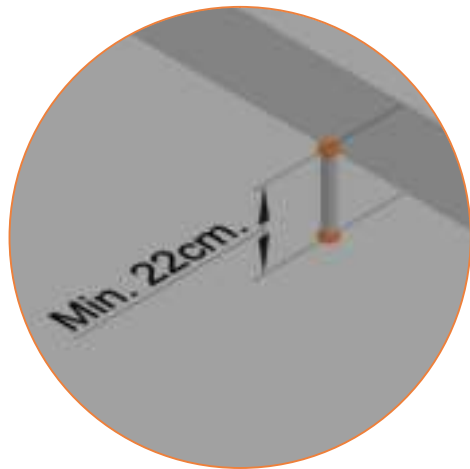


8.



9.

10.



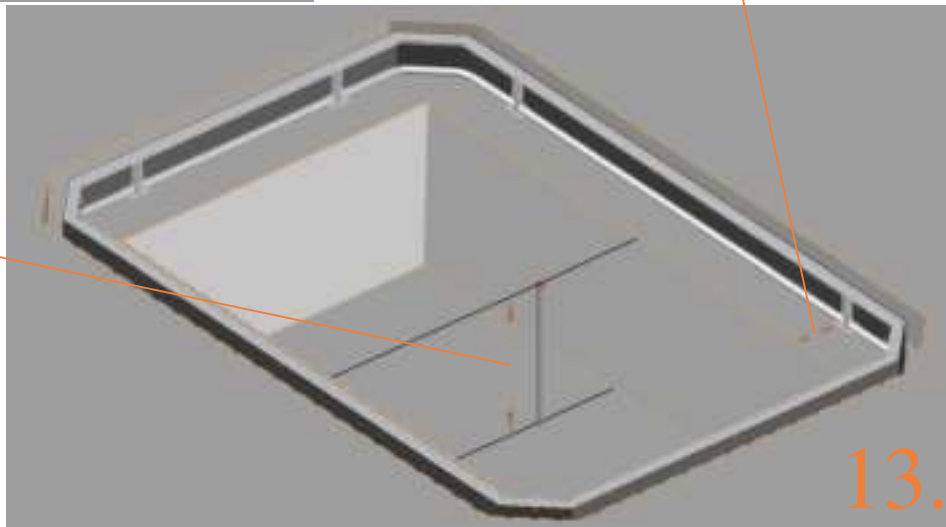
11.

12.



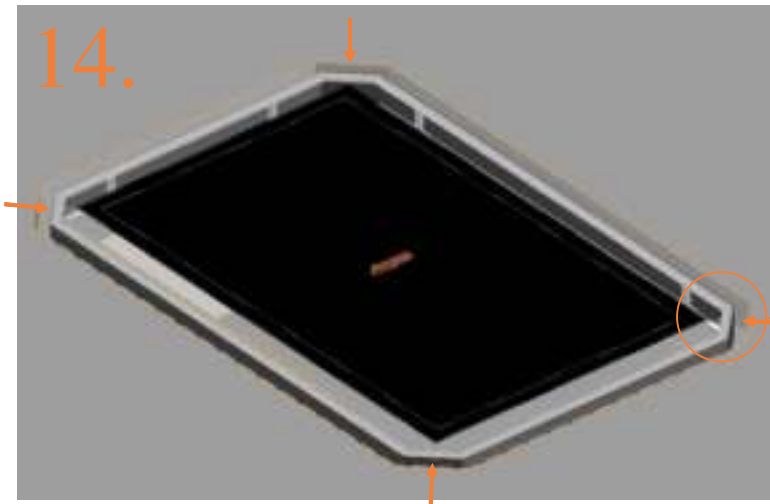
223- FL : Max.20cm
234-FL / 238-FL: Max.25cm

223- FL : Min.60cm
234-FL / 238-FL: Min.80cm

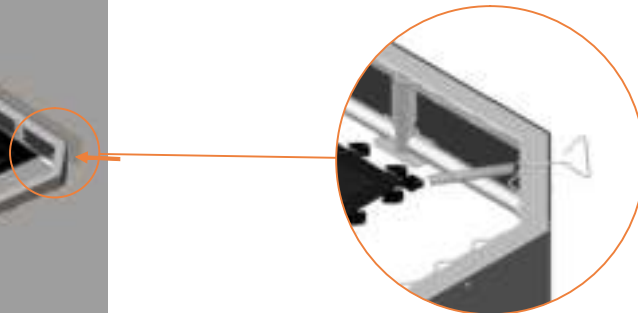


13.

14.



223-FL : 4x spring 140mm
234-FL / 238-FL : 4x spring 175mm

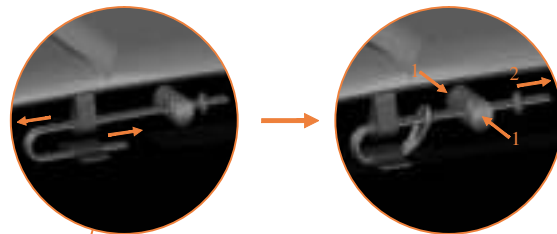
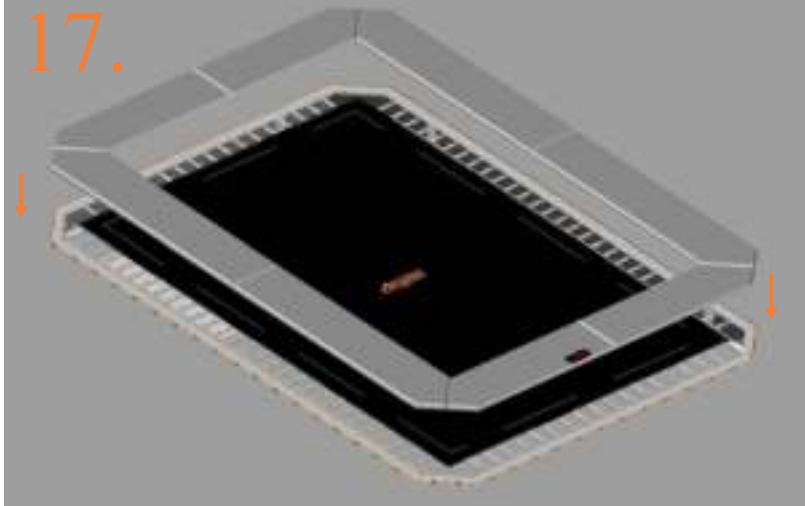


15.



16.

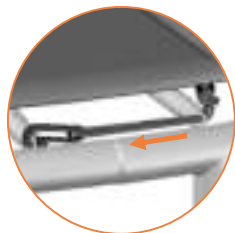
17.



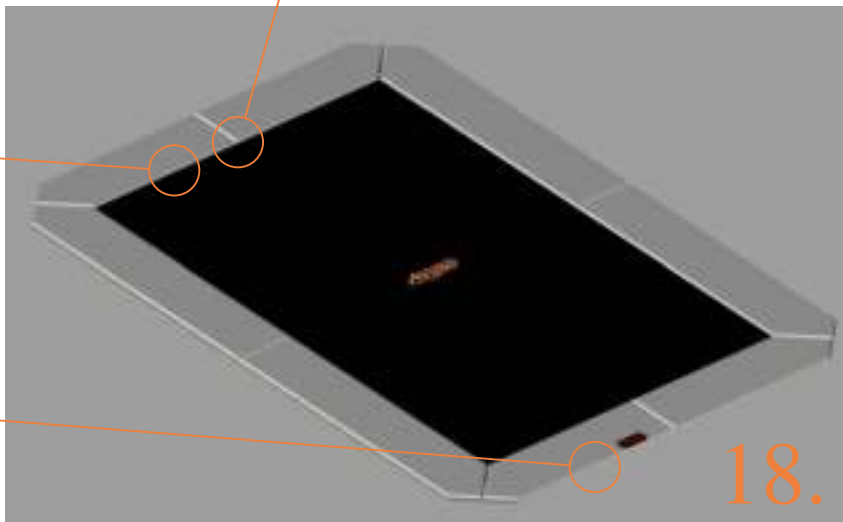
TEPL-ELAS-B



TEPL-ELAS-B



TEPL-ELAS-D



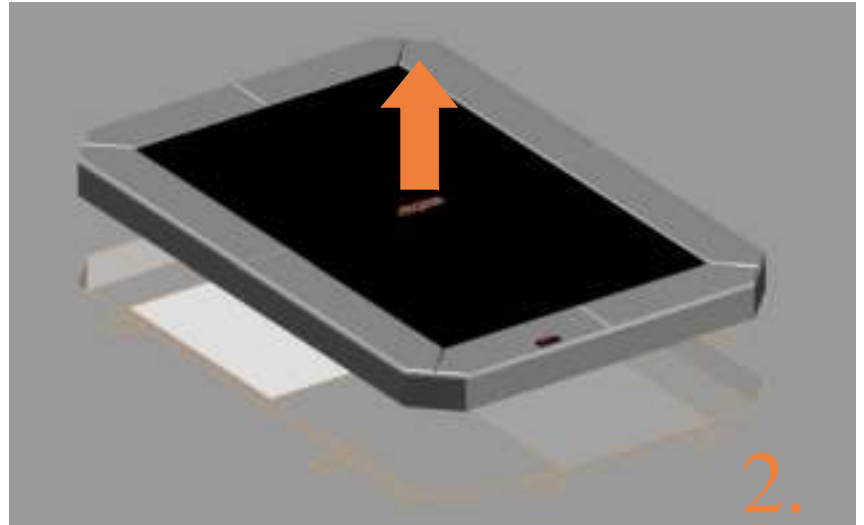
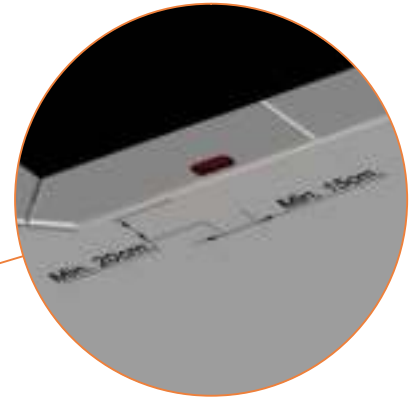
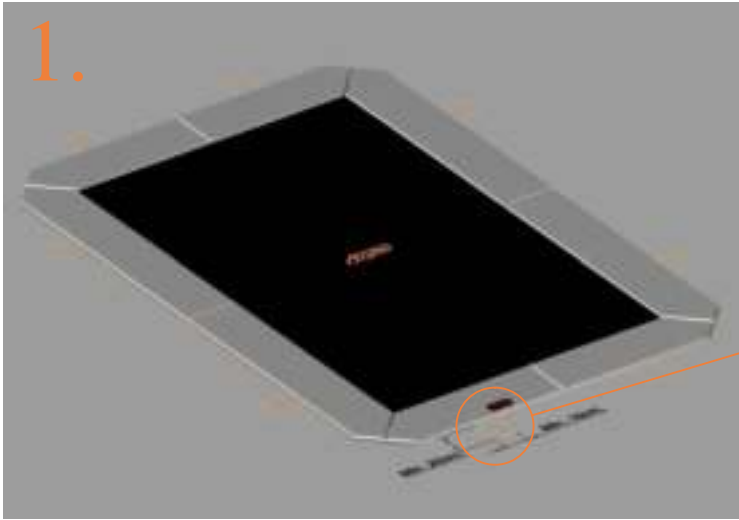
18.

Model 223-FL / Model 234-FL / Model 238-FL



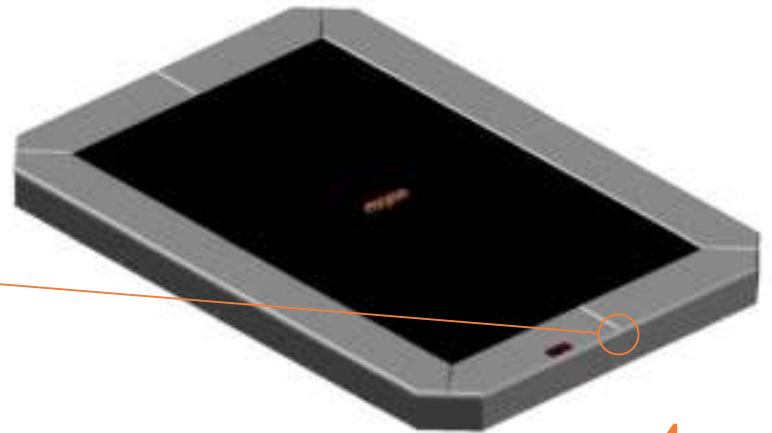
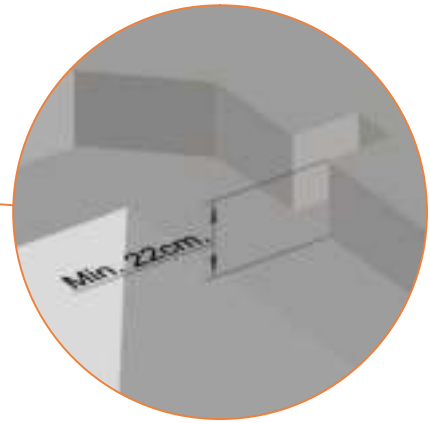
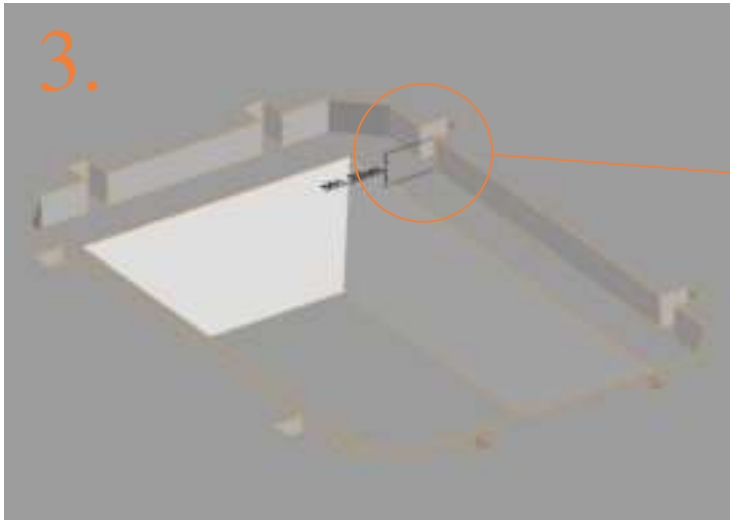
| | | Model-223-FL APPROX 305x225cm | | Model-234-FL APPROX 340x240cm | | Model-238-FL APPROX 380x255cm | |
|---------------------------------|--|----------------------------------|---|----------------------------------|---|----------------------------------|---|
| | | Quantity | Part number | Quantity | Part number | Quantity | Part number |
| Pole with sleeve for safety net |  | 8 | AVBL-223-FL-802 A | 8 | AVBL-234-FL-802 A | 8 | AVBL-238-FL-802 A |
| Pole for safety net |  | 8 | AVBL-223-FL-802 B | 8 | AVBL-234-FL-802 B | 8 | AVBL-238-FL-802 B |
| Clamp |  | 8 | CLAMP-TOOL-SN 223-FL | 8 | CLAMP-TOOL-SN 234-FL | 8 | CLAMP-TOOL-SN 238-FL |
| Screw M6x30 |  | 8 | M6x30 | 8 | M6x30 | 8 | M6x30 |
| Safety net |  | 1 | ANBL-223-FL | 1 | ANBL-234-FL | 1 | ANBL-238-FL |
| Straps for safety net |  | 20 | TEPL-BAND 16x short: 1,0m 4x long: 1,5m | 20 | TEPL-BAND 16x short: 1,0m 4x long: 1,5m | 20 | TEPL-BAND 16x short: 1,0m 4x long: 1,5m |
| Closure for safety net |  | 2 | TEPL-KNOOPJE | 2 | TEPL-KNOOPJE | 2 | TEPL-KNOOPJE |
| Fastening for safety net |  | 10 | TEPL-ELAS-C | 10 | TEPL-ELAS-C | 10 | TEPL-ELAS-C |
| Screw M8 |  | 16 | M8-30 | 16 | M8-30 | 16 | M8-30 |
| Allen key |  | 2 | ALLEN-KEY | 2 | ALLEN-KEY | 2 | ALLEN-KEY |
| Wrench |  | 2 | WRENCH | 2 | WRENCH | 2 | WRENCH |

1.



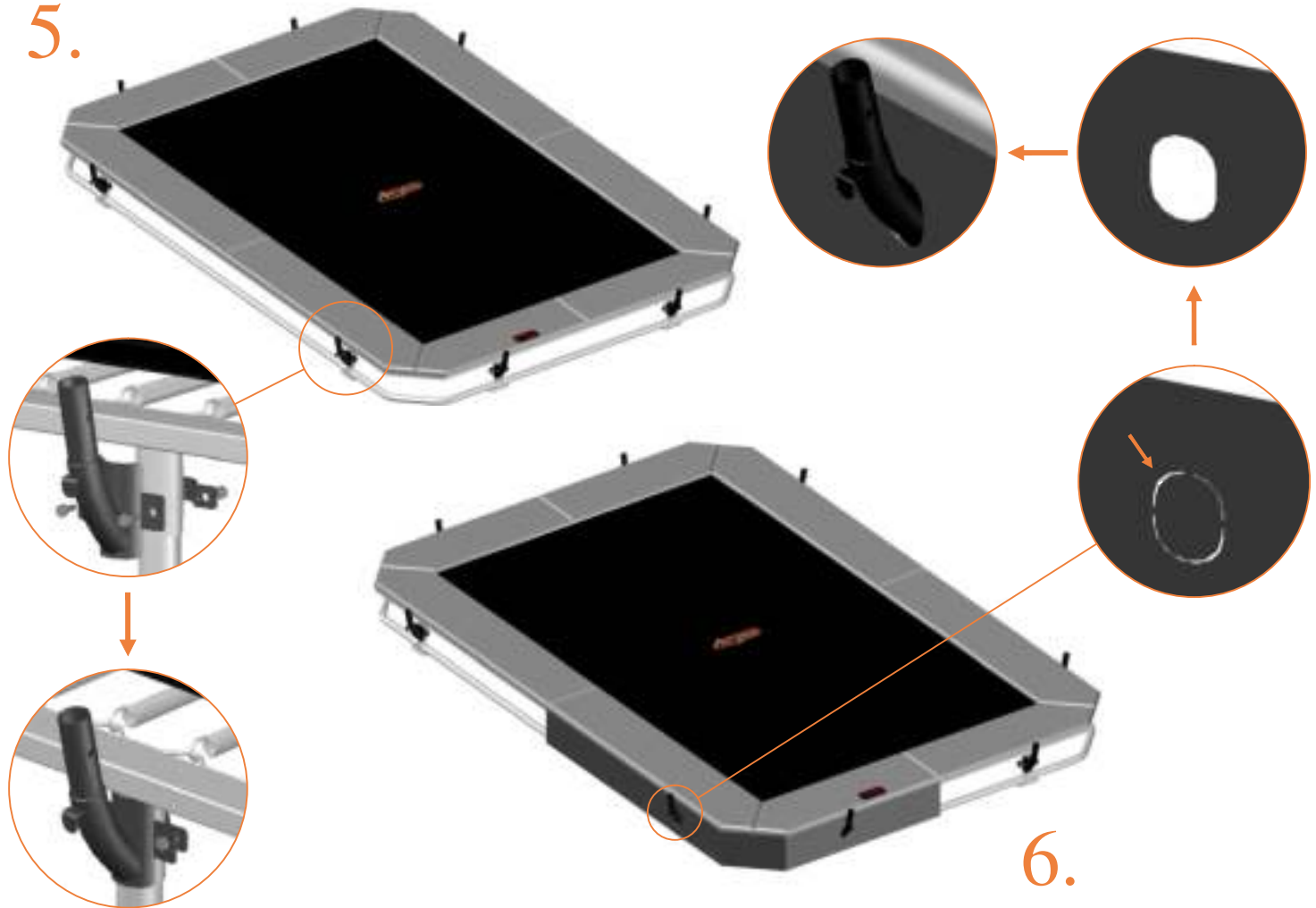
2.

3.

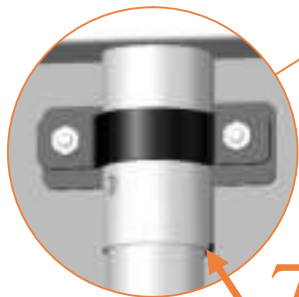
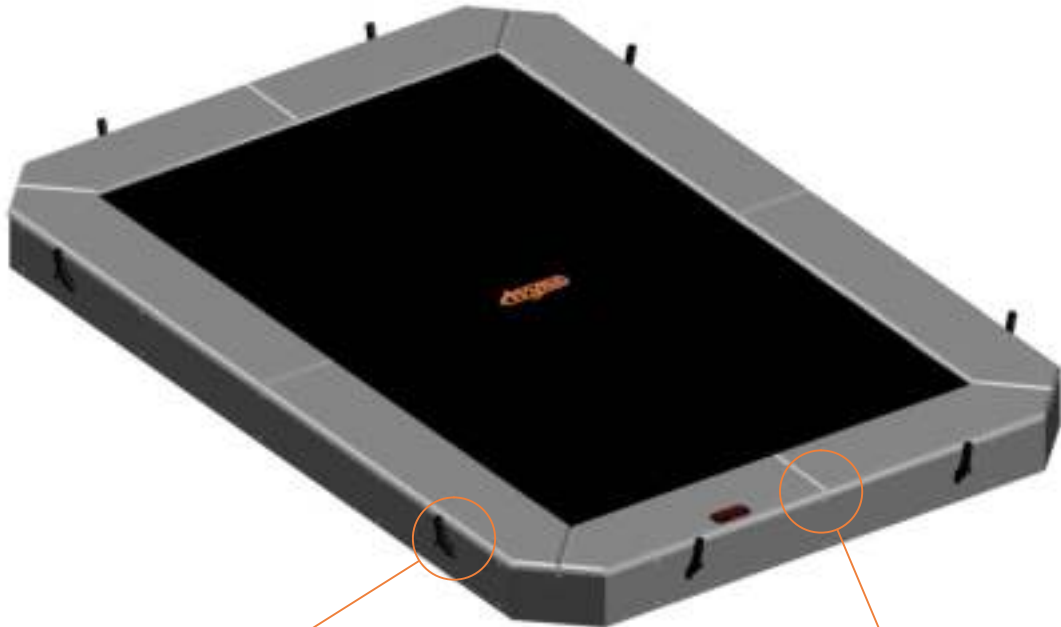


4.

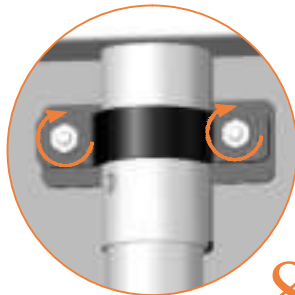
5.



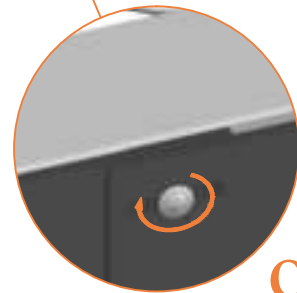
6.



7.

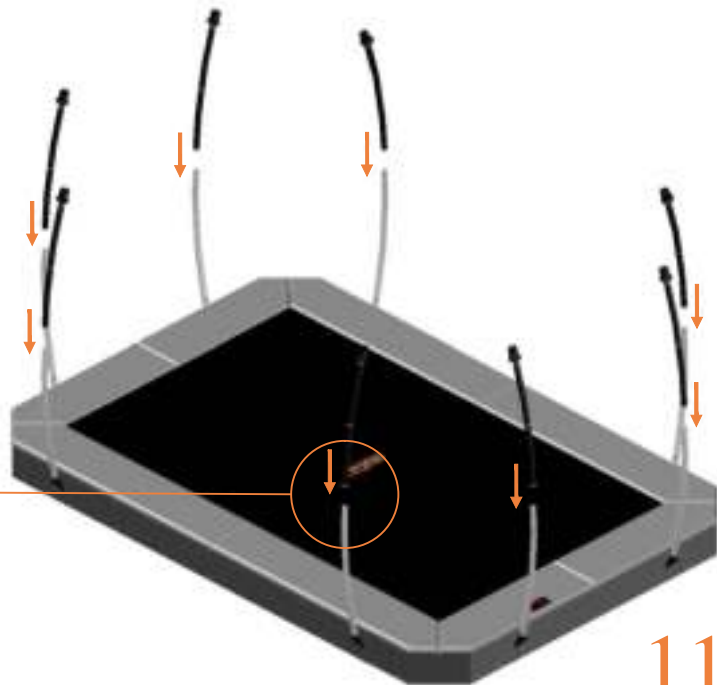
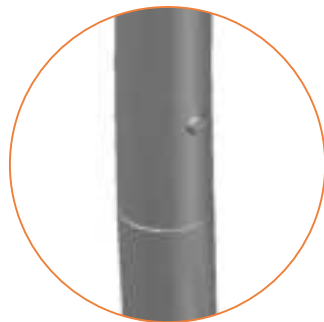
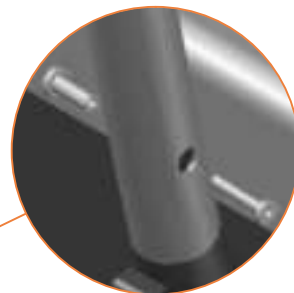
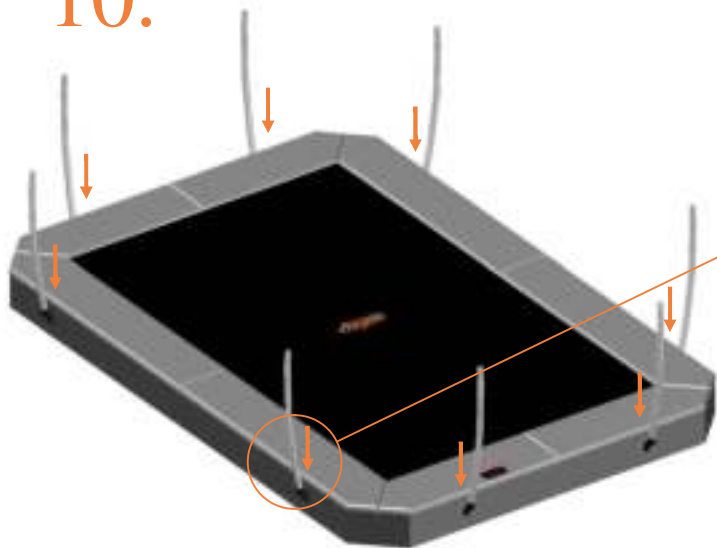


8.



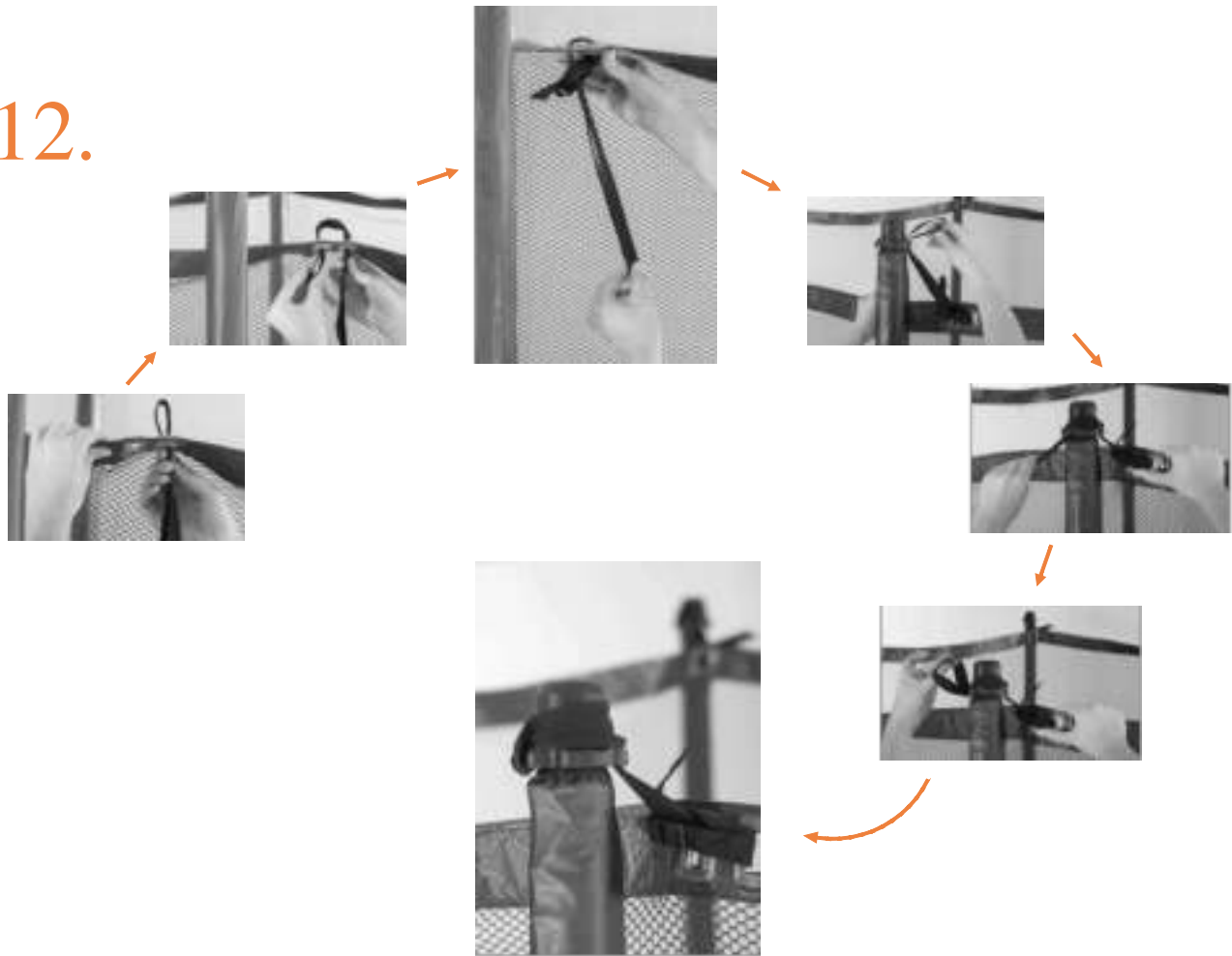
9.

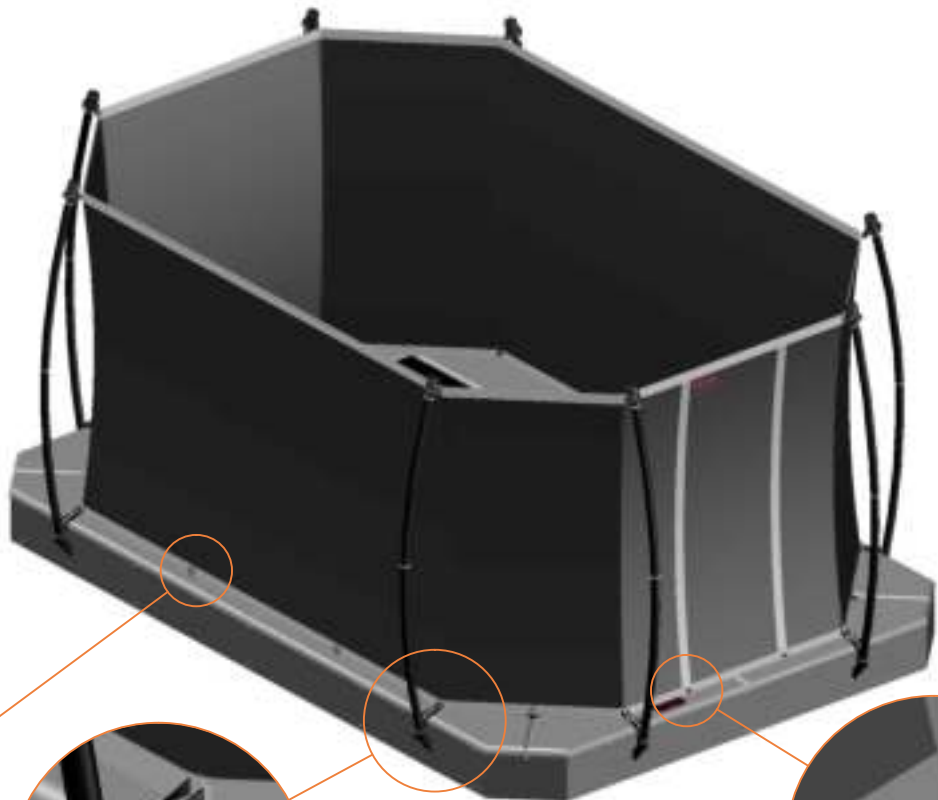
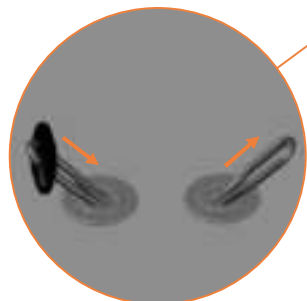
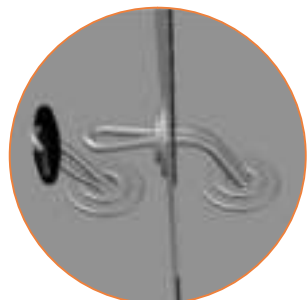
10.



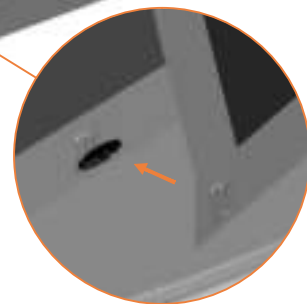
11.

12.

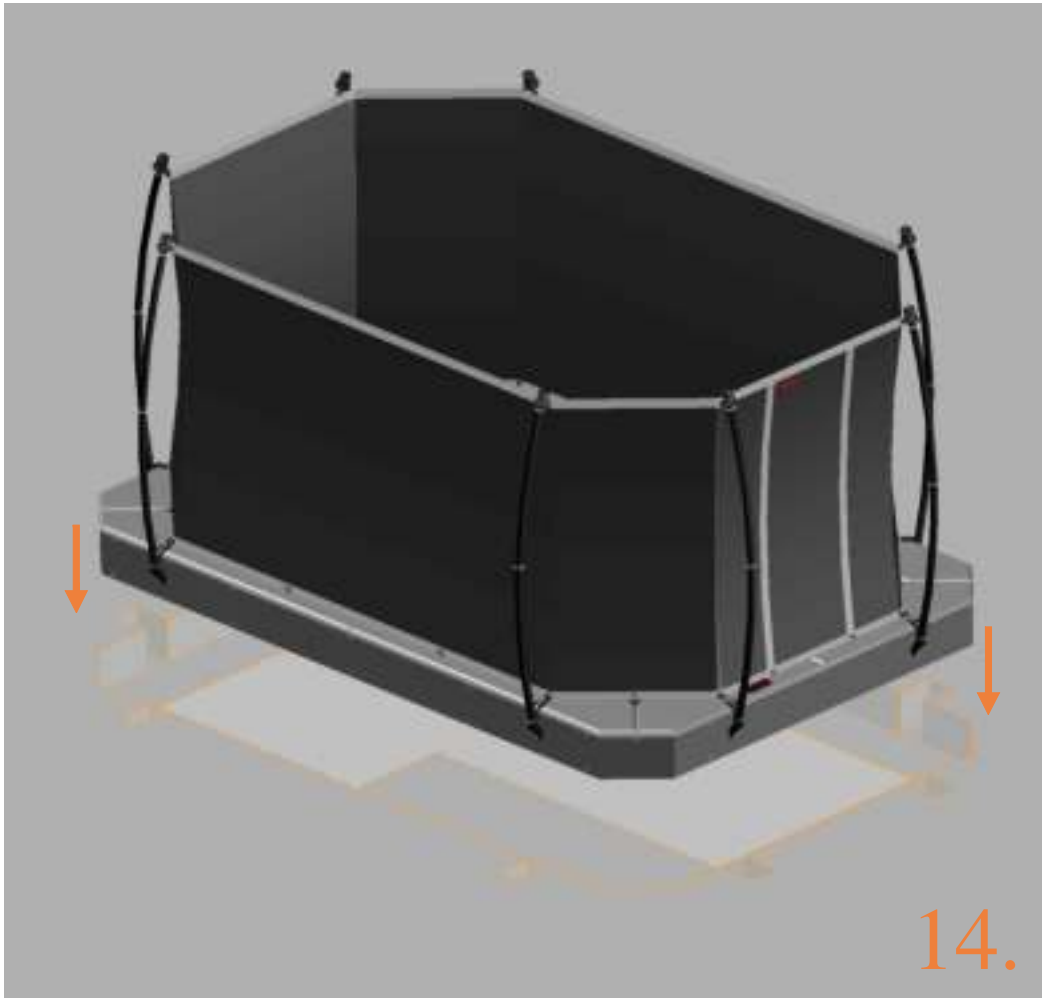




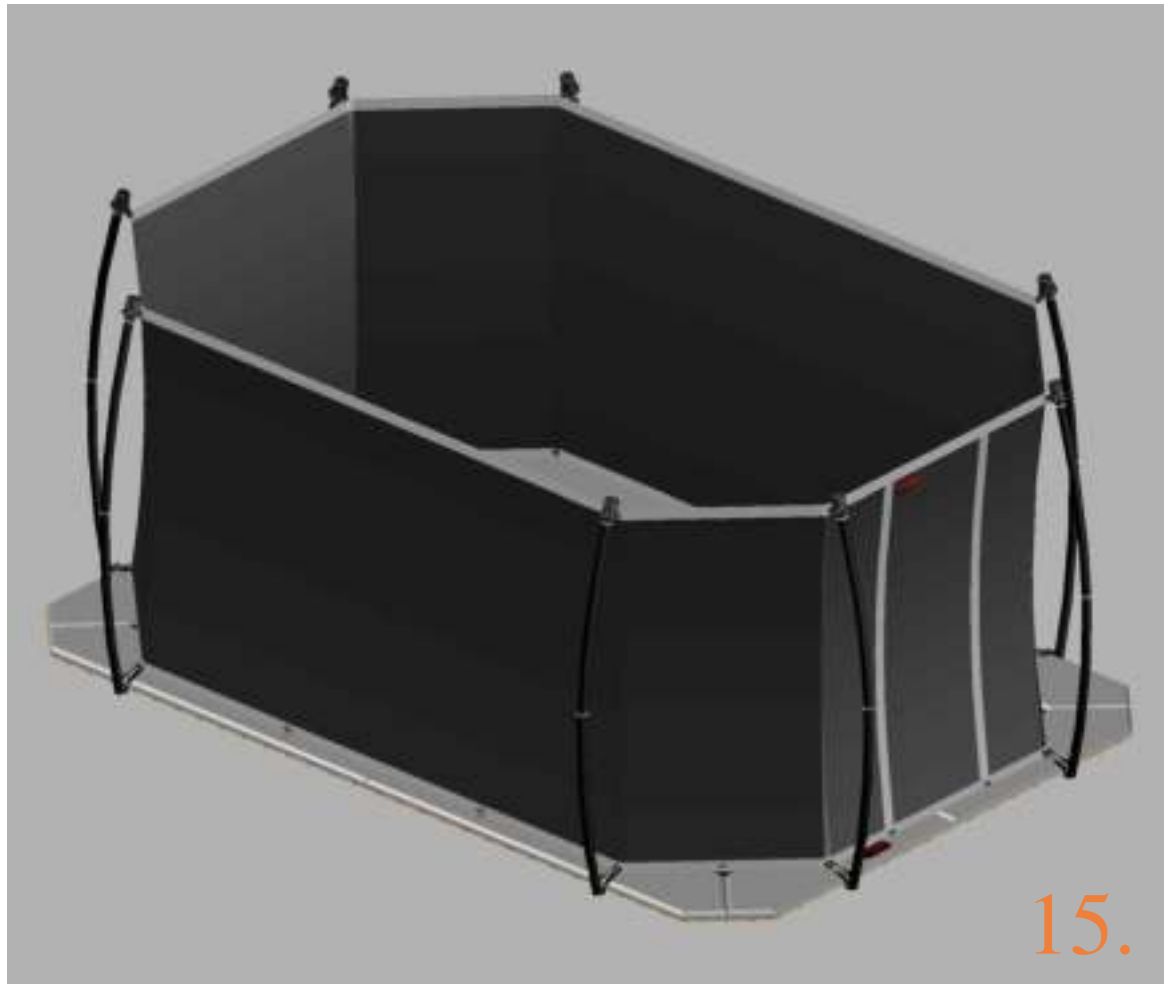
13.



TEPL-ELAS-C



14.



15.



Sales office: Beneluxbaan 7
5121 DC Rijen
The Netherlands
sales@avyna.eu
www.avyna.eu