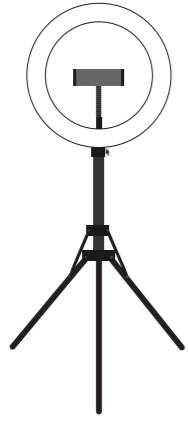


LED RING LIGHT

SpotLight Steady 120



Service & Support

www.hama.com

+49 9091 502-0

D GB



www.hama.com/nep

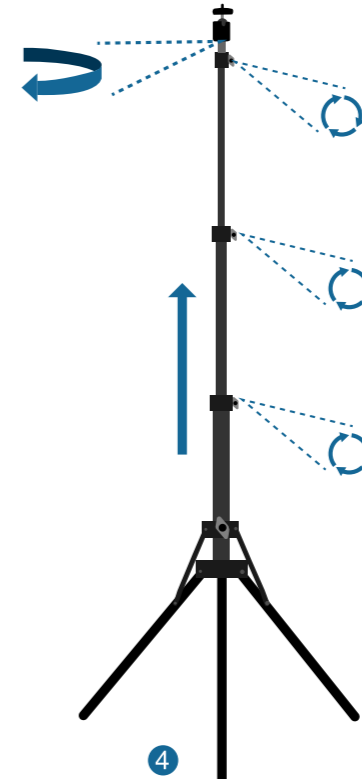
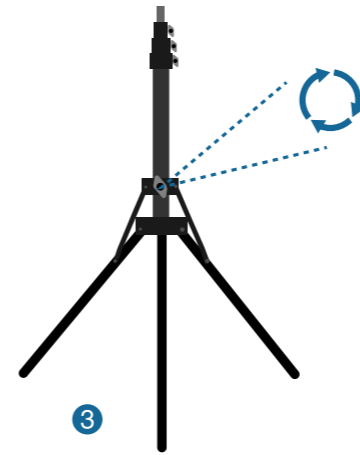
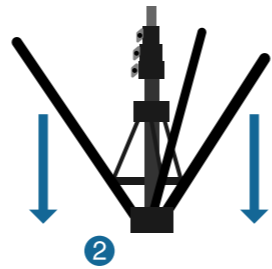
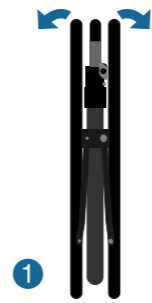


00004643/06.20

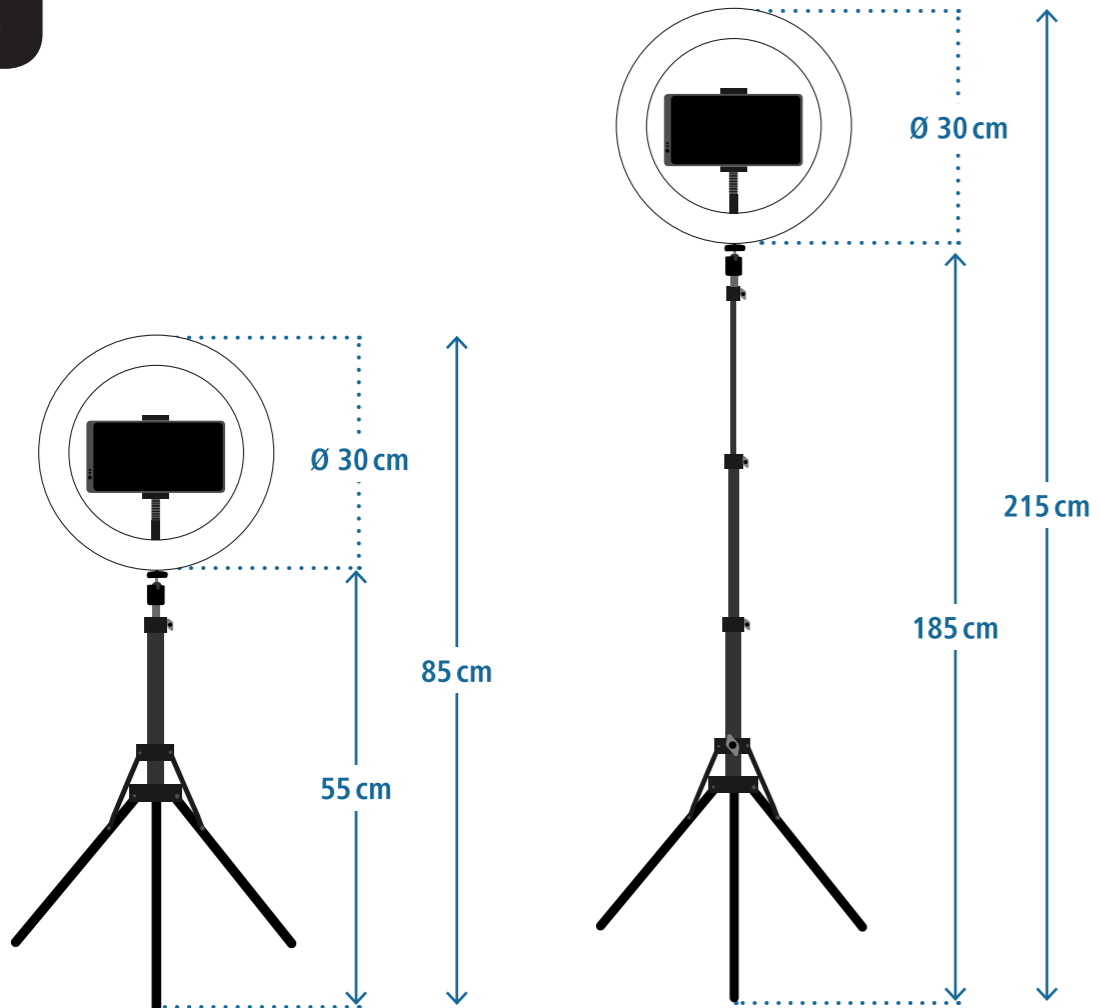
Hama GmbH & Co KG
86652 Monheim / Germany

All listed brands are trademarks of the corresponding companies. Errors and omissions excepted, and subject to technical changes. Our general terms of delivery and payment are applied.

A



B



C

