



SaniSupreme
Betaalbaar Design

Installatie instructie

INBOUWDOUCHE

3-WEG



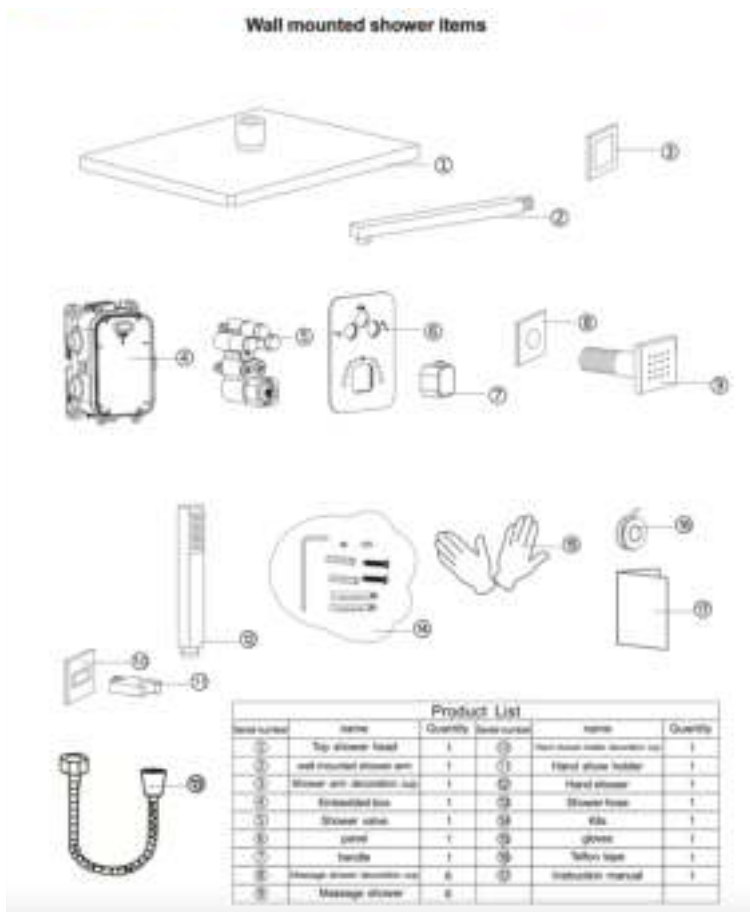
Hoe installeer ik 3-weg wandgemonteerde douchekraan mengkraan.

Eenvoudige stap voor stap installatie-instructies voor 3-weg wandgemonteerde douchekraan mengkraan

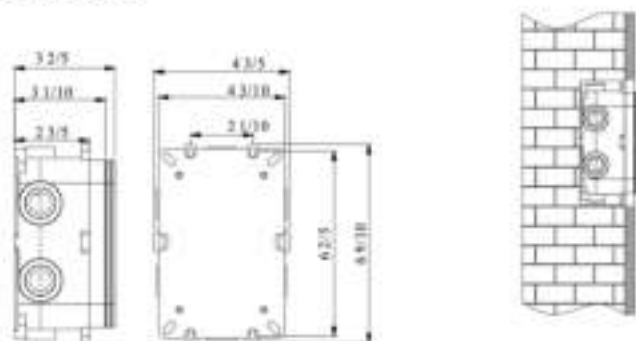
Lees voordat u begint de onderstaande installatie-instructies. Neem alle plaatselijke bouw- en veiligheidsvoorschriften in acht.

Pak het product uit en inspecteer het op eventuele transportschade. Als u schade aantreft, installeer dan niet.

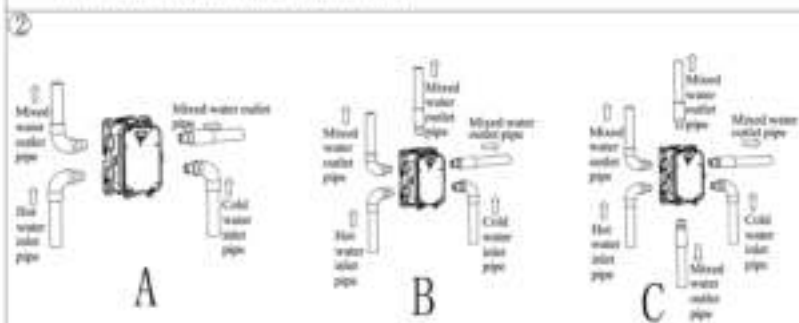
Houd er rekening mee dat alle producten moeten worden geïnstalleerd door een professionele en gecertificeerde loodgieter, anders kan de garantie komen te vervallen.




① **Basic Size**

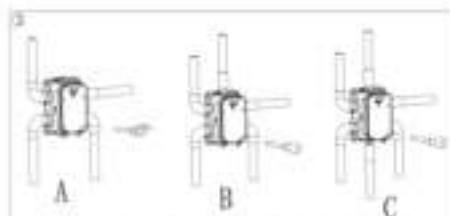


According to the basic size of the embedded box, use a special tool to open the main hole on the solid wall. As shown in the figures, it should be considered that the depth of the wall after the final treatment and the bottom of the opening is $3 \frac{1}{10}$ - $3 \frac{3}{5}$ inch between, the width is between $4 \frac{7}{10}$ - $4 \frac{9}{10}$ inch, and the height is between $6 \frac{9}{10}$ - $7 \frac{1}{10}$ inch.

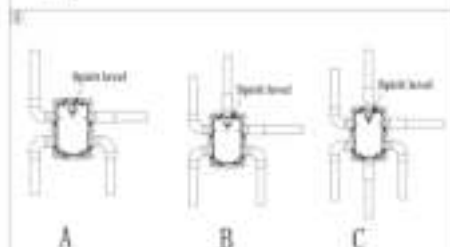


As shown in the figure, the inlet and outlet pipes are embedded. Pay attention to the correct direction of installing the embedded box. Be sure to mark the top ^{TOP} of the baffle upward, and the vertical direction of the embedded box. The lower left interface is connected to the hot water pipe. The interface is connected to the cold water pipe, the upper left interface is connected to the top spray pipe, and the upper right interface is connected to the handheld pipe.

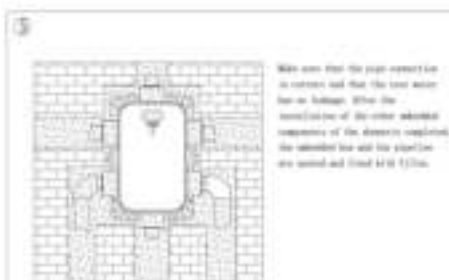
 **Note:** Please strictly follow the cold and hot water pipes shown in the diagram to connect the main body cold water and hot water to the correct position to avoid reverse installation.



Open the water supply to test whether the left and right drain pipes are correctly installed and leak-free. After the toilet pipe is tested, adjust the rim which is far or too shallow. The toilet water supply pipe is tightly connected without leakage. At the same time, the water connection (flange) is correctly assembled to the substrate. Be sure to use wide self-healing cement to seal well to floor or wall.



In step 4 of Figure, our company's embedded toilet has a built-in spirit level to correct the level of the toilet seat. It is best to use the spirit level to check the level of the toilet seat. If it is not levelled properly, it will affect the toilet installation effect.



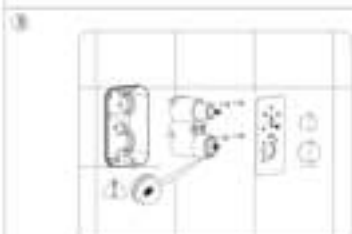
Make sure that the pipe connection is correct and that the toilet water does not leak. After the installation of the toilet, embedded cement of the flange is required. The embedded cement for pipe joint are pointed and fixed as in Figure.



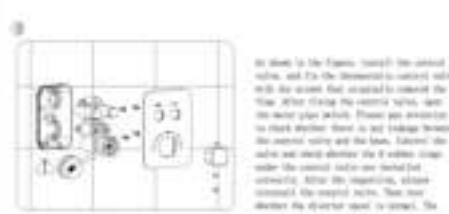
As shown in the Figure, the embedded leakage embedded too shallow will, and the embedded cement of the flange installation can be performed after the wall is laid.



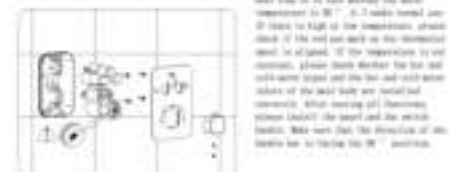
Make sure the spirit level level before using the self-healing cement as shown in the Figure.



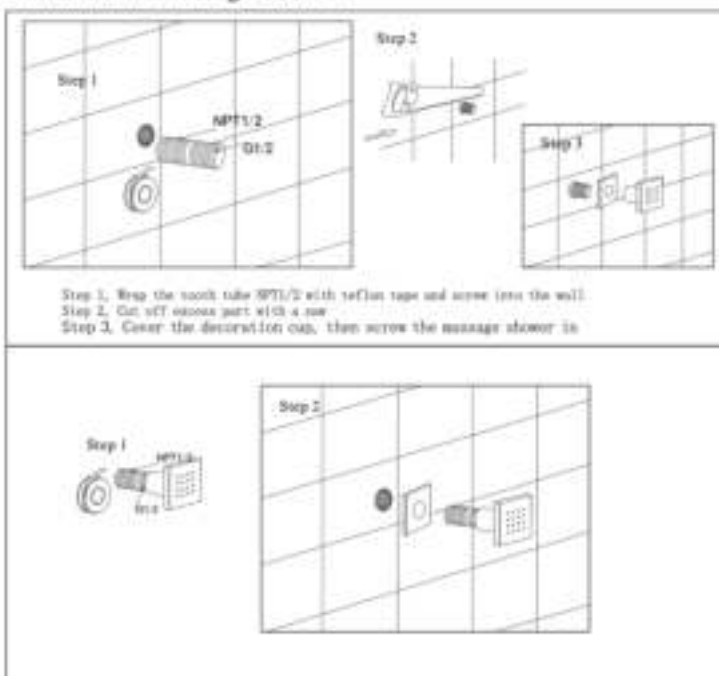
As shown in the Figure, insert the control valve, and fix the flange to control valve with the spirit level adjusted to correct the floor. After fixing the control valve, use the water pipe which. Please pay attention to check whether there is no leakage between the control valve and the floor. Before the valve is used, whether the 8 rubber gaskets under the control valve are sealed correctly. After the operation, please connect the control valve. Then use whether the operation is correct. The water stop is to stop within the water temperature in 30°C. 4.2 water stop can be done to high in the temperature, which means if the hot water stop in the domestic used is allowed. If the temperature is not constant, please check whether the hot and cold water pipes and the hot and cold water valves of the water body are installed correctly. After testing all functions, please install the panel and the control handle. Make sure that the direction of the handle can be turned to 90° position.



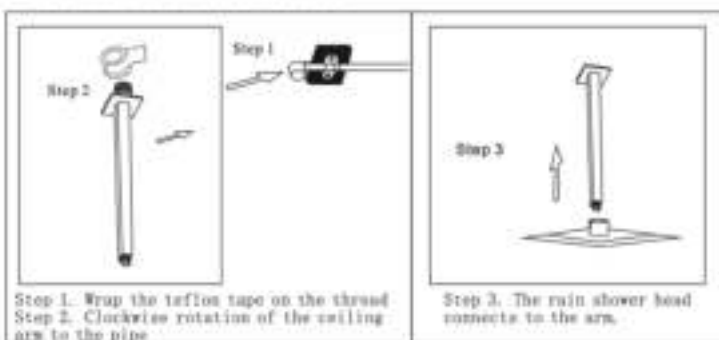
As shown in the Figure, insert the control valve, and fix the flange to control valve with the spirit level adjusted to correct the floor. After fixing the control valve, use the water pipe which. Please pay attention to check whether there is no leakage between the control valve and the floor. Before the valve is used, whether the 8 rubber gaskets under the control valve are sealed correctly. After the operation, please connect the control valve. Then use whether the operation is correct. The water stop is to stop within the water temperature in 30°C. 4.2 water stop can be done to high in the temperature, which means if the hot water stop in the domestic used is allowed. If the temperature is not constant, please check whether the hot and cold water pipes and the hot and cold water valves of the water body are installed correctly. After testing all functions, please install the panel and the control handle. Make sure that the direction of the handle can be turned to 90° position.

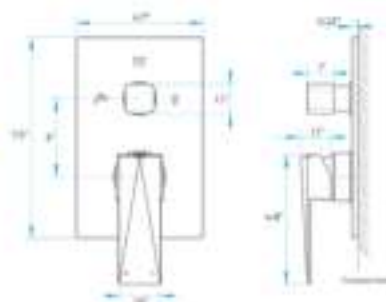
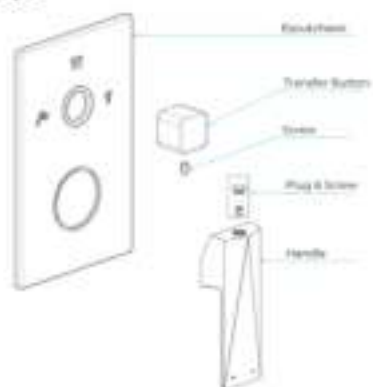
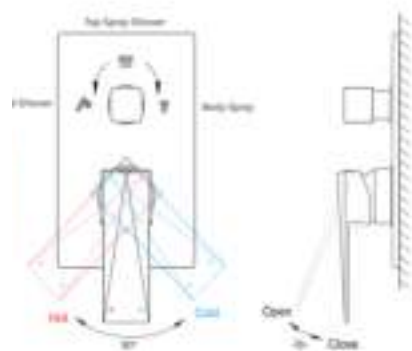
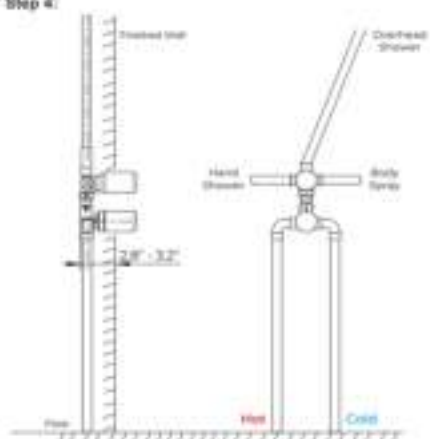


◆ Install the massage shower

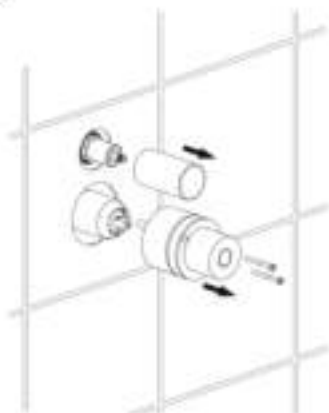


◆ Install the rain shower head

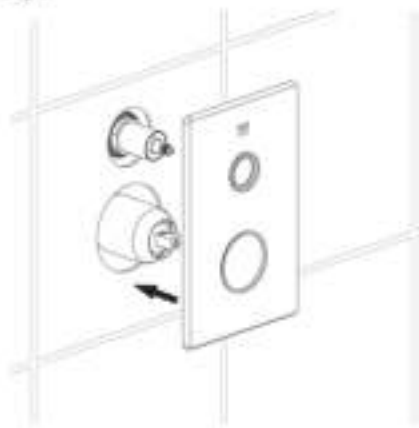


Step 1:

Step 2:

Step 3:

Step 4:


Step 5:



Step 6:



Step 7:



Step 8:



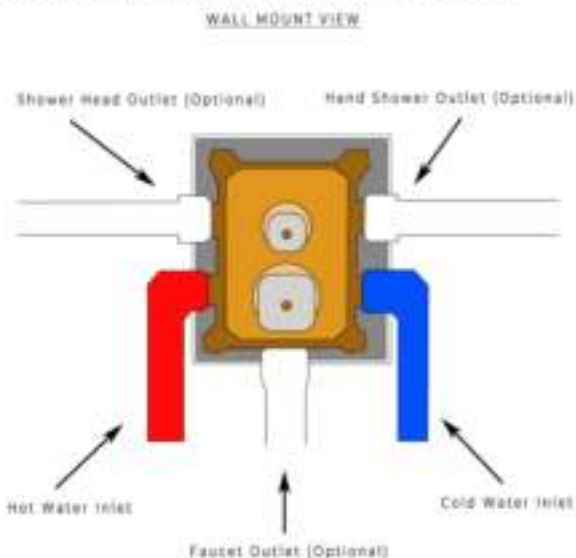
1) Bevestig de douchekraan met schroeven in de muur. Gebruik een waterpas om ervoor te zorgen dat de klep recht en waterpas staat. (Belangrijk: Spoel de watertoevoerleidingen om vuil en vuil te verwijderen voordat u het klephuis installeert)

2) Wikkel Teflon-tape om de schroefdraad van de pijp. Sluit de warm- en koudwatertoevoerleidingen en alle wandinbouwleidingen (niet meegeleverd) naar wens aan op de klep. Draai de watertoevoer open en open de patroon om te controleren op lekken. Plaats vervolgens de beschermhoes.

3) Verwijder de beschermkap wanneer de muur afgewerkte muur is voltooid. Monteer het rozet op de douchekraan en druk deze tegen de afgewerkte muur. Installeer vervolgens de hendel en de omstelknop op de klep en draai de stelschroeven vast met de inbussleutel en plaats de indicatielknop.

Functie: Aansluitingen op lekkage controleren en functie fitting controleren. De stroom wordt automatisch omgeleid van douche-uitlaat naar bad-inlaat wanneer de kraan gesloten is.

Shower Mixer Wall Mount View Connection



Shower Mixer Connection Overview

SHOWER MIXER CONNECTION

