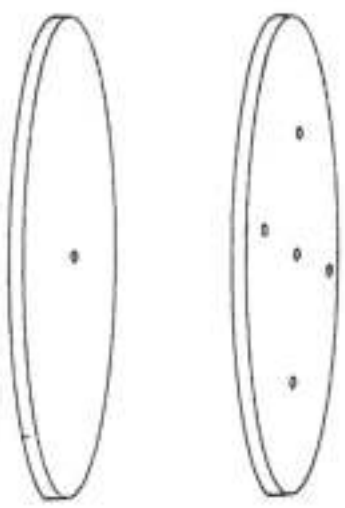
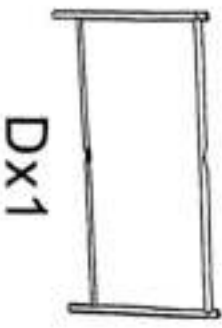
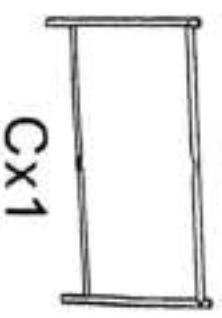


Assembly Instruction



Ax1

Bx1



Cx1

Dx1



ax1



bx5



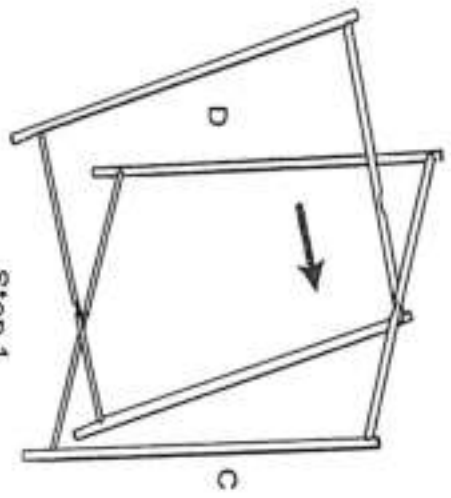
Cx1



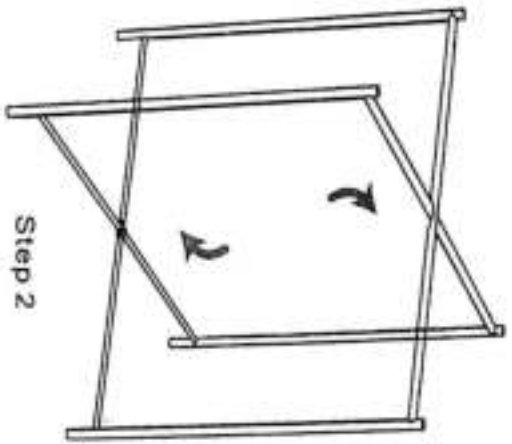
dx8



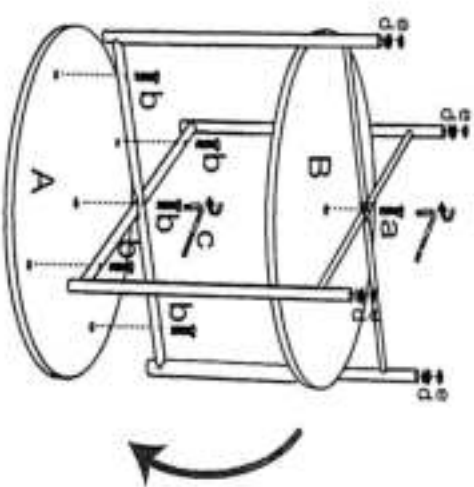
ex4



Step 1



Step 2



Step 3



Step 4