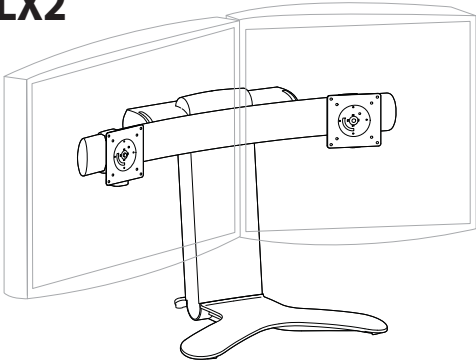
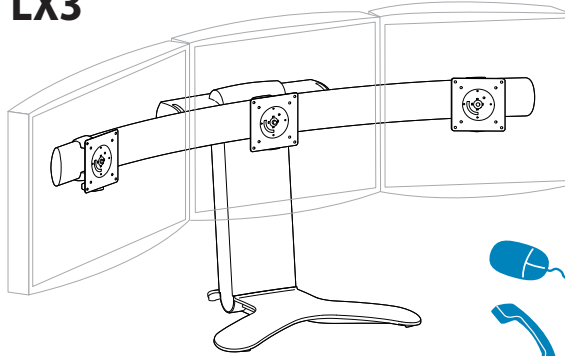


ASSEMBLY INSTRUCTIONS
 INSTRUCCIONES DE INSTALACIÓN
 NOTICE D'ASSEMBLAGE
 MONTAGEANLEITUNGEN
 INSTALLATIE INSTRUCTIES
 MANUALI D'ISTRUZIONE
 取扱説明書
 安装说明
 □ □ □ □

LX2

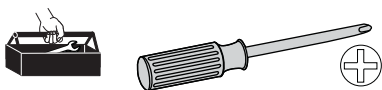


LX3



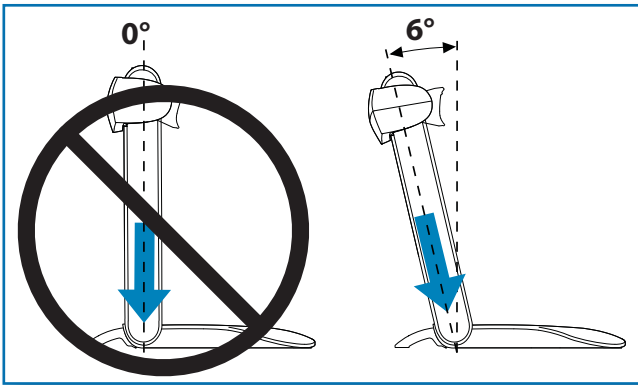
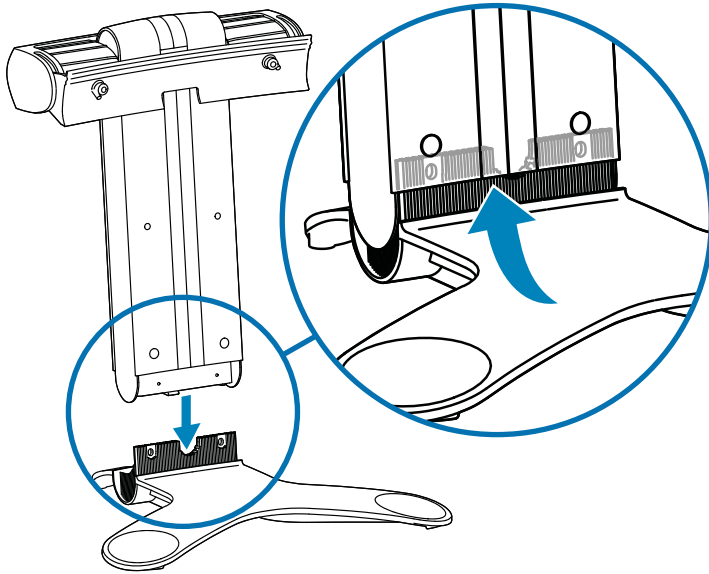
www.ergotron.com
 USA 1-800-888-8458
 Europe +31 (0)33-45 45 600
 China 86-769-86018920

	A	B	C	D	E
1	<p>1x</p>	<p>1x</p> <p>29" (738 mm) LX2</p> <p>44.25" (1125 mm) or LX3</p>		2x	<p>1x</p> <p>4mm</p> <p>2x or 3x</p>
2				2x	
3		<p>8x or 12x M4 x 10mm</p>	<p>8x or 12x M4 x 10mm</p>	<p>2x M6x12mm</p> <p>2x M8x20mm</p>	



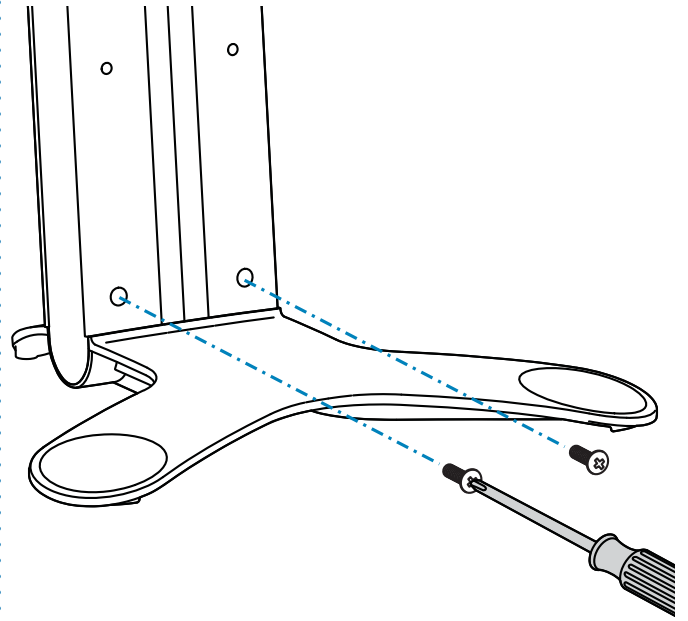
For service and warranty visit www.ergotron.com
 Si desea información de servicio y garantía, visite www.ergotron.com
 Pour toute question concernant la garantie ou le service client, consultez www.ergotron.com
 Weitere Informationen zu Service und Gewährleistung erhalten Sie unter www.ergotron.com
 Ga voor service en garantie naar www.ergotron.com
 Per assistenza e la garanzia visitare www.ergotron.com
 Gå in på www.ergotron.com för service och garanti
 サービスおよび保証について詳しくは、www.ergotron.com をご覧ください。
 有关服务和保修，请访问 www.ergotron.com

1 a

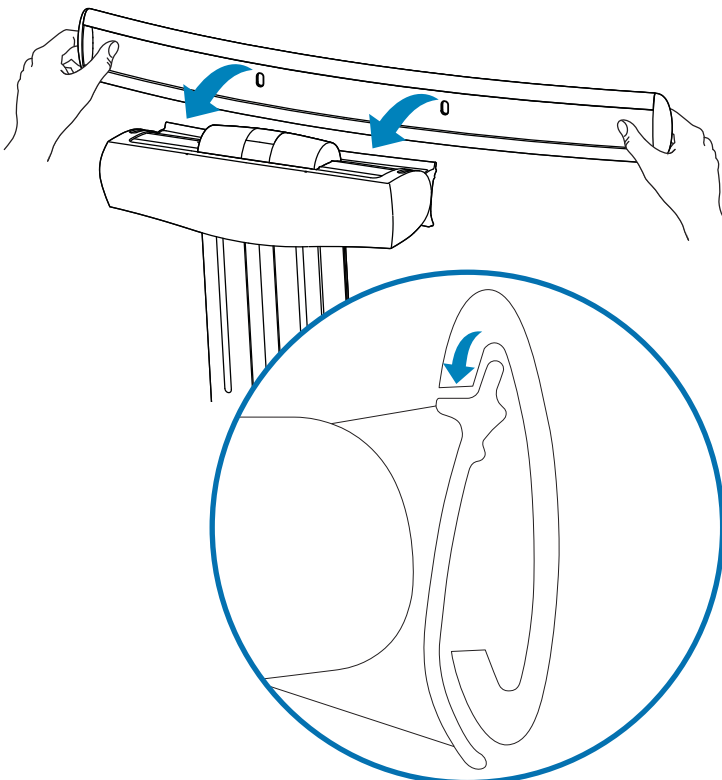


b


2x  M6x12mm

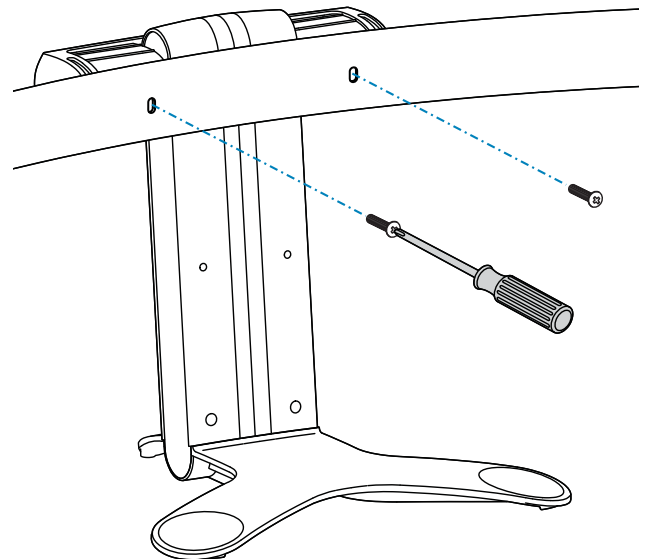


2 a



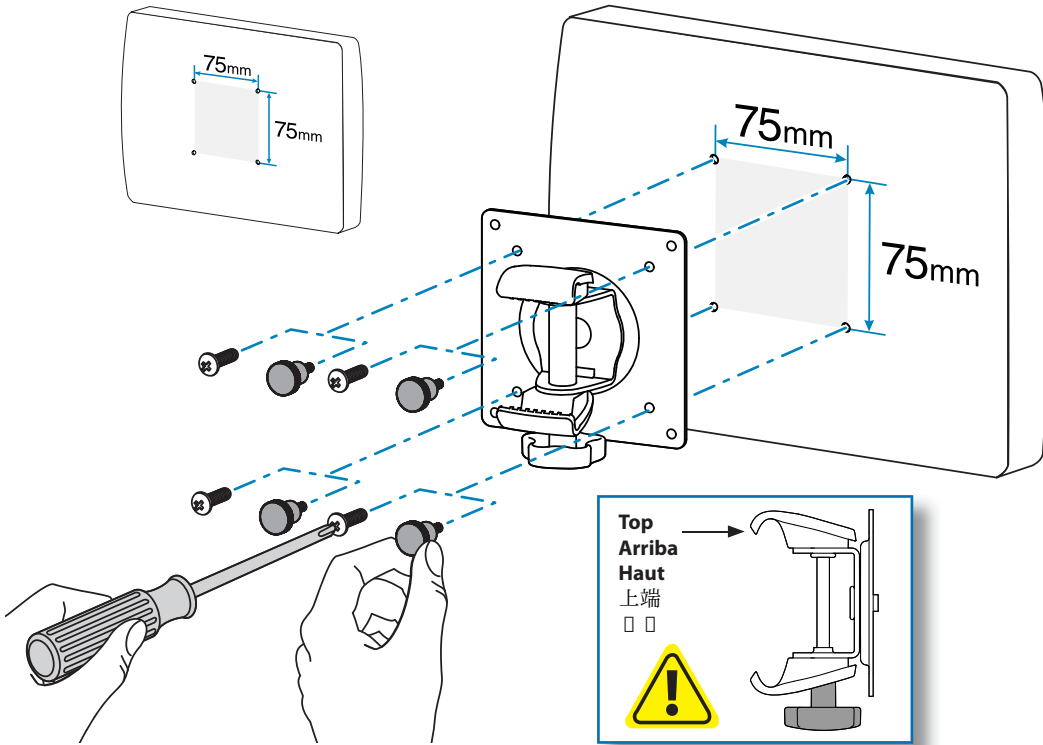
b

2x  M8x20mm

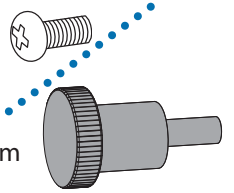


3

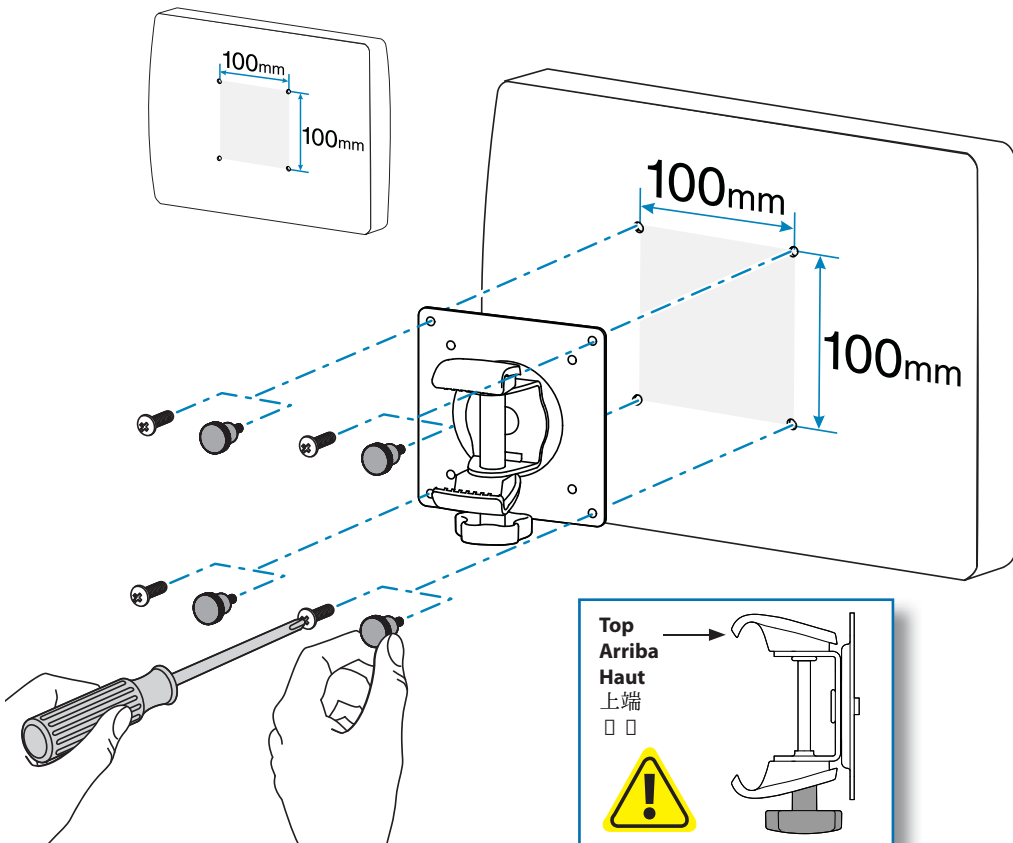
75 x 75mm



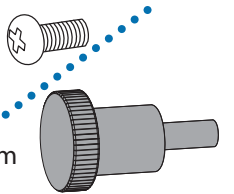
4x
M4 x 10 mm



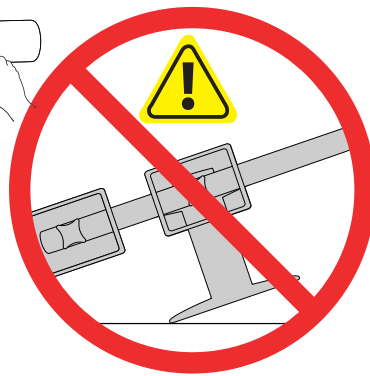
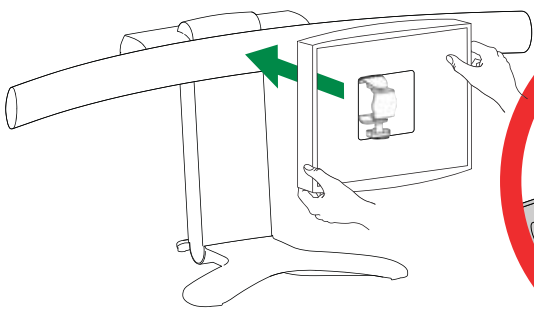
100 x 100mm



4x
M4 x 10 mm


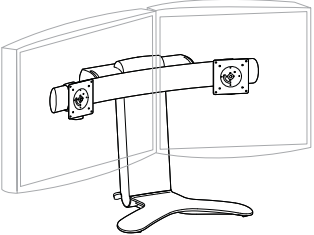


4

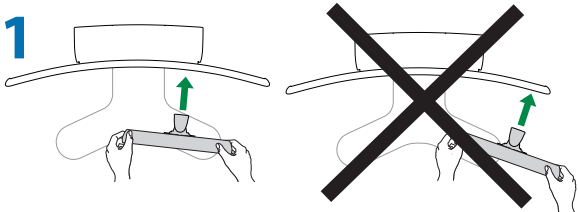


WARNING: TIPPING HAZARD!
ADVERTENCIA: ¡Peligro de vuelco!
Avertissement : Risque de glissade !
WARNUNG: KIPPGEFAHR!
Waarschuwing: Omkantelgevaar!
Avvertenza: Pericolo di ribaltamento!
 警告：倒れる危険があります！
 警告：傾覆危険！
 □□ : □□ □□ □□ □□ □□ !

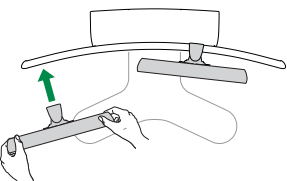
LX2

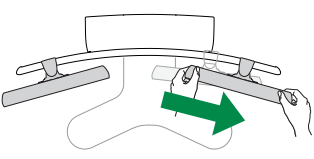
1




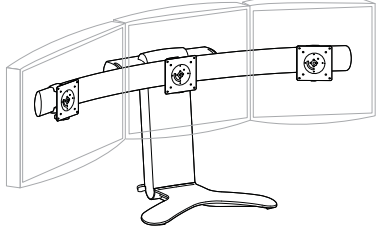
2



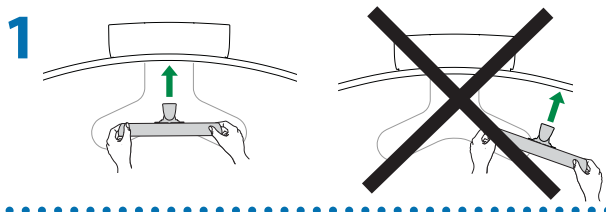
3



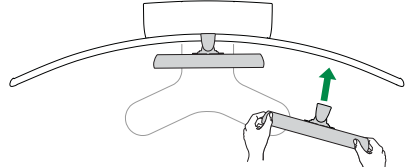
LX3

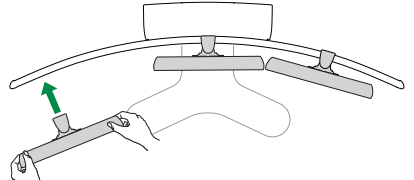
1



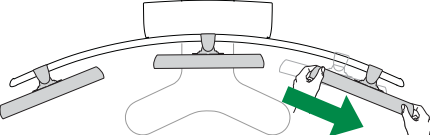
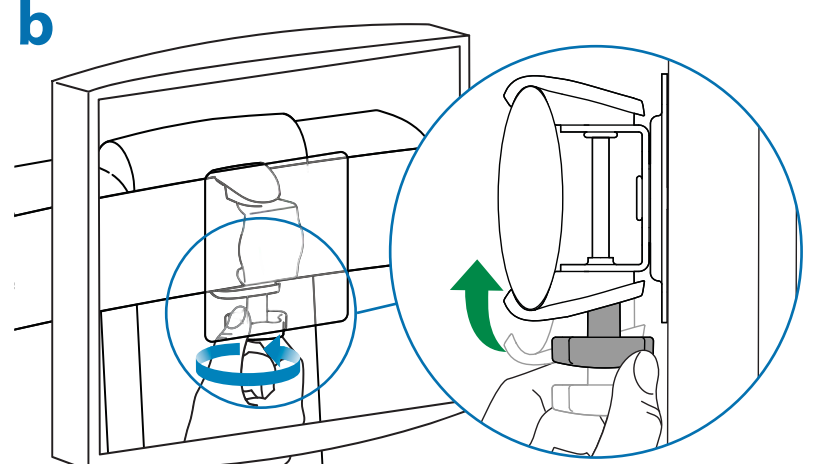
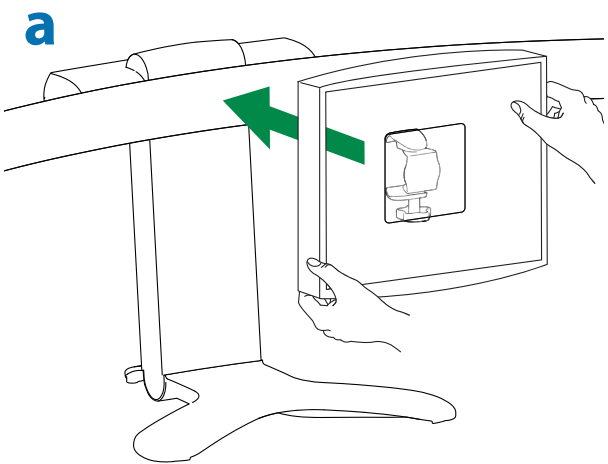
2



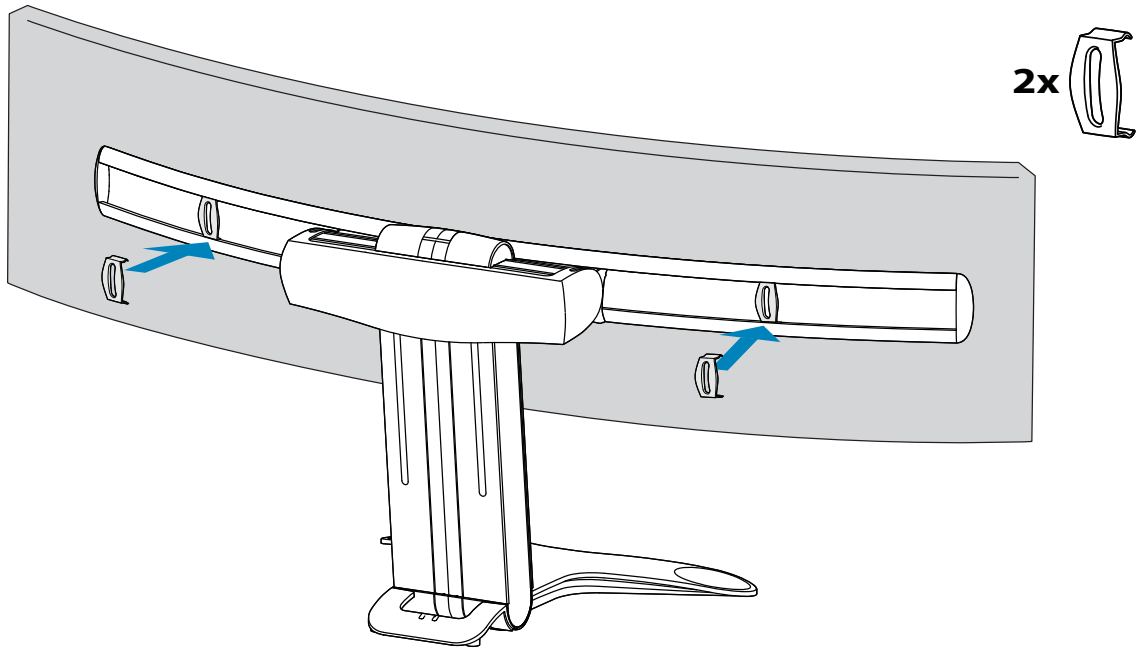
3



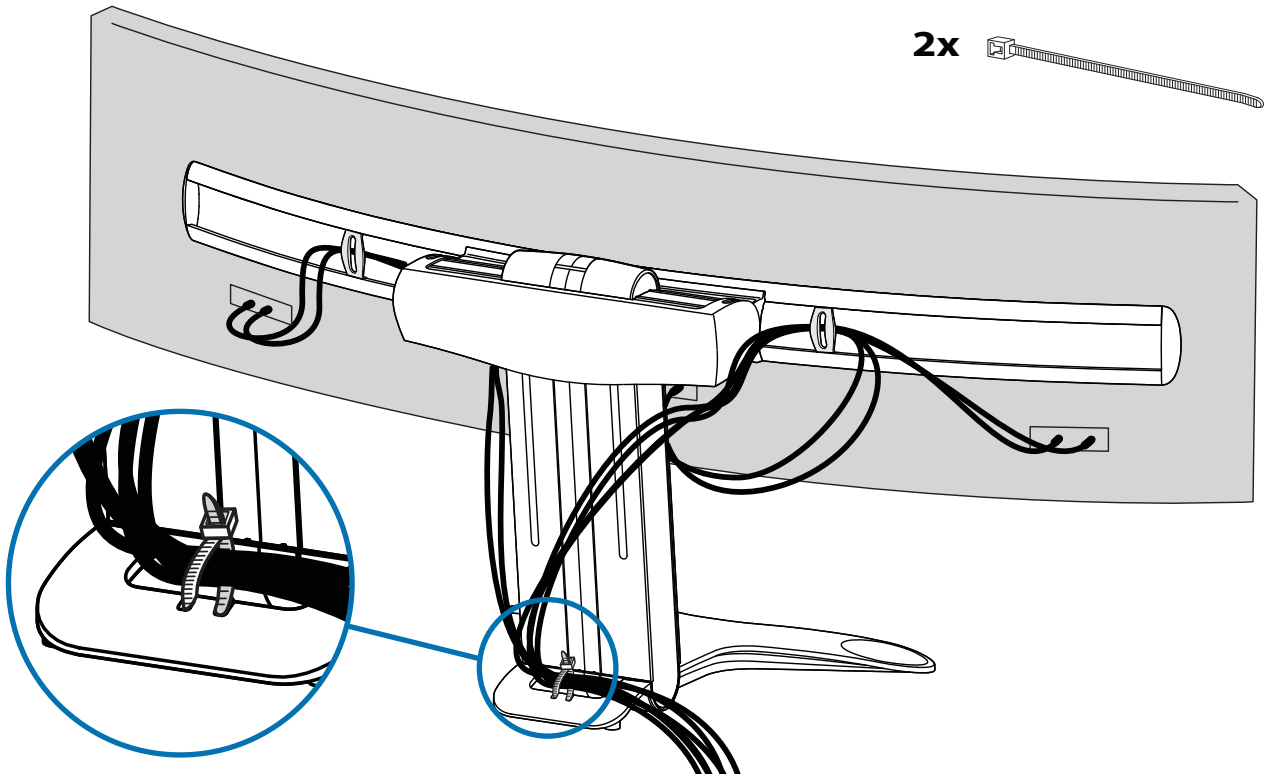
4

5 a



b

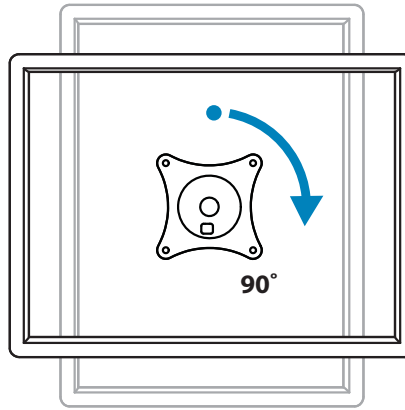


WARNING
ADVERTENCIA
Avertissement
WARNUNG
Waarschuwing
Avvertenza
警告
警告
□ □



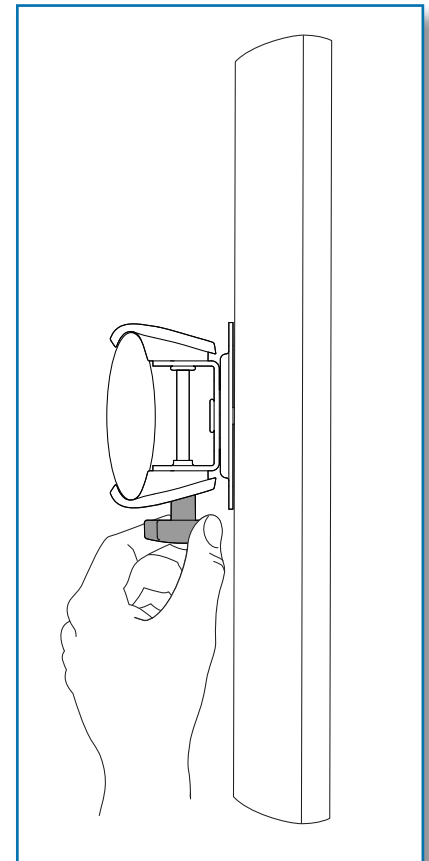
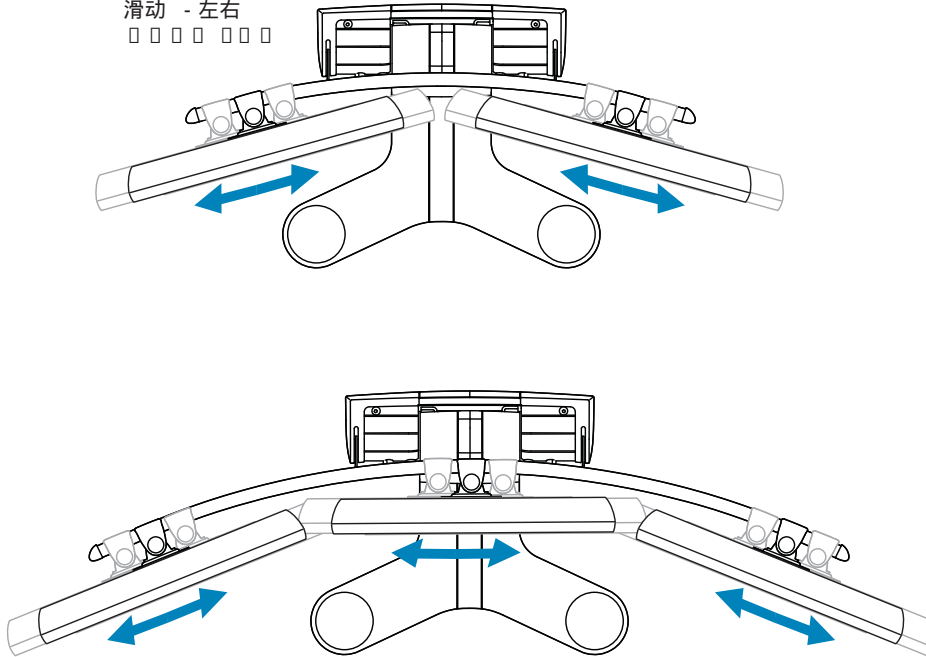
C

Rotate – Portrait/Landscape
 Rotación (formato vertical y apaisado)
 Rotation : mode portrait et paysage
 Rotation – Portrait-/Landscapefunktion
 Roteer – Portret/Landschap
 Rotazione – Portrait - Landscape
 縦/横
 纵向 横向
 가 ㄱ ㄴ



d

Side-to-side
 derecha e izquierda
 Droite et Gauche
 links und rechts
 Van links naar rechts
 Destra - Sinistra
 スライド - 左右
 滑动 - 左右
 □ □ □ □ □ □ □ □



© 2010 Ergotron, Inc.
 All rights reserved.

While Ergotron, Inc. makes every effort to provide accurate and complete information on the installation and use of its products, it will not be held liable for any editorial errors or omissions (including those made in the process of translation from English to another language), or for incidental, special or consequential damages of any nature resulting from furnishing this instruction and performance of equipment in connection with this instruction. Ergotron, Inc. reserves the right to make changes in the product design and/or product documentation without notification to its users. For the most current product information, or to know if this document is available in languages other than those herein, please contact Ergotron. No part of this publication may be reproduced, stored in a retrieval system, or transmitted in any form or by any means, electronic, mechanical, photocopying, recording or otherwise without the prior written consent of Ergotron, Inc., 1181 Trapp Road, Eagan, Minnesota, 55121, USA Patents Pending and Patented U.S. & Foreign. Ergotron is a registered trademark of Ergotron, Inc.

Americas Sales and Corporate Headquarters

St. Paul, MN USA
 (800) 888-8458
 +1-651-681-7600
 www.ergotron.com
 sales@ergotron.com

EMEA Sales

Amersfoort, The Netherlands
 +31 33 45 45 600
 www.ergotron.com
 info.eu@ergotron.com

APAC Sales

Tokyo, Japan
 www.ergotron.com
 apaccustomerservice@ergotron.com

Worldwide OEM Sales

www.ergotron.com
 info.oem@ergotron.com