

## Ultrasonic Humidifier Clean Air Optima® CA-606W

User manual  
Gebrauchsanweisung  
Gebruiksaanwijzing  
Mode d'emploi  
Manual del usuario  
Manual de utilizare  
Uživatelská příručka  
Naudotojo vadovas  
Kasutusjuhend  
Lietotāja rokasgrāmata

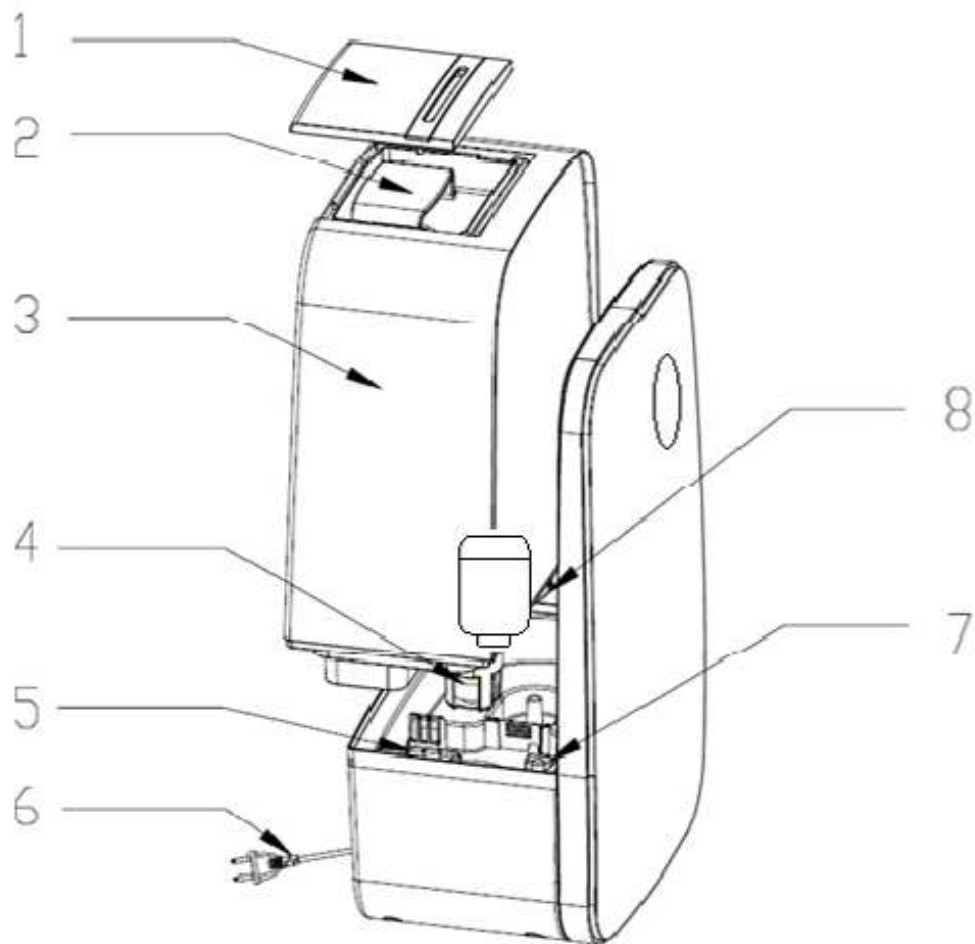
*Find more languages on:*  
[www.cleanairoptima.com/  
info/manuals](http://www.cleanairoptima.com/info/manuals)

Brukermanual  
Användarmanual  
Ohjekirja  
Brugermanual  
Manuale d'uso  
Manual do usuário  
Uputstvo za upotrebu  
Korisnički priručnik  
Használati utasítás  
Kullanım kılavuzu  
Instrukcja obsługi  
Мануал  
Руководство пользователя  
Прирачник за користење  
Посібник користувача  
Ръководство за потребителя



Read these instructions carefully before you start using the Ultrasonic Humidifier and keep the manual for later usage.

## CA-606W / Main unit



## CA-606W / Display



## **English**

**Thank you for purchasing the Clean Air Optima® Ultrasonic Humidifier CA-606W.**

We wish you many years of healthy indoor air with this efficient and effective product.

These instructions describe the safety precautions to be observed during operation. They are meant to prevent injuries and to avoid damaging the device.

### **Description of the device**

The device consists of the following main components:

1. Mist nozzle
2. Handle
3. Water tank
4. Float
5. Aroma box
6. Power cord
7. PTC heating element
8. Water tank lid and filter

## Safety warnings

This device may only be used in accordance with these safety instructions. Take the following steps to minimize the risk of personal injury caused by for example electric shocks or fire.

1. Only for indoor use. Do not use or store outdoors.
2. Use proper voltage: AC 220V - 240V, 50/60Hz
3. The inner ultrasonic transducer is highly sensitive. Do not touch it with bare fingers or scrape it with metal tools, or it will reduce mist output. When cleaning this area please use a small cleaning brush, cotton swab or tooth brush. Do not use hot water as it may damage the misting parts.
4. The device is not intended to be used by children or persons with reduced physical-, sensory- or mental capabilities, unless they are supervised by a person responsible for their safety.
5. Children should be kept away unless continuously supervised.
6. To safely use the device, put it in a steady, horizontal position. Do not move while using.
7. To prevent interference and damage to other electronic devices, this machine should be placed at least 1 meter away from a computer, television, radio or other electronic equipment.
8. Do not use the device when there is visible damage on the electrical cord or on the device itself. Do not repair the device yourself in case of damage. Never pull the device by its cord. If the power cord is damaged, then it must be replaced by an authorized service person to prevent electric shock or fire.
9. Repairs may only be performed by authorized service personal. Do not try to repair the device yourself to prevent electric shock or fire.
10. Always remove the plug from the socket when the device is not being used or when you clean internal or external parts of it.
11. Remove the water tank before moving the device.
12. Only use power cords provided.
13. Do not use the device in rooms where inflammable liquids or gases are stored, close to heat sources or in particularly humid rooms like the bathroom, shower or swimming pool.
14. To prevent malfunctions, never insert strange objects into the device.
15. Never disassemble or replace the device's inner parts.
16. Do not place the device in direct sunlight, to avoid that the device discolours.
17. Never immerse the unit in water or other liquids.
18. Do not touch the power cord with wet hands.
19. Do not touch the warm mist closely.
20. Clean and dry the device before storage (including the removal of all water from the inside of the device). Store the machine in a cool and dry place outside the reach of children.
21. Do not clean the water sink when the water is still hot.
22. Use, maintain and clean the device as described in this manual.

## Operating instructions

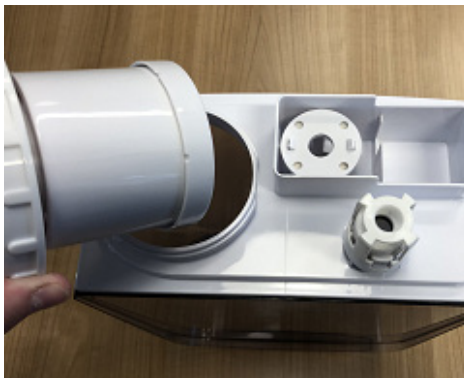
Before getting started, remove the Clean Air Optima<sup>®</sup> CA-606W from its box and allow it to become accustomed to the room temperature for at least 30 minutes especially if the machine is cold from the outside air. Place the device on a solid, level and front water-insensitive surface, approx. 60 cm from the floor and at least 20 cm from the wall. The CA-606W is designed to operate at temperatures between 5 -40 °C and relative humidity of less than 80%.

To get started, grasp the water tank by the **handle** at the top and lift from the base. Next, flip the tank over and unscrew and remove the **water tank lid and filter**.

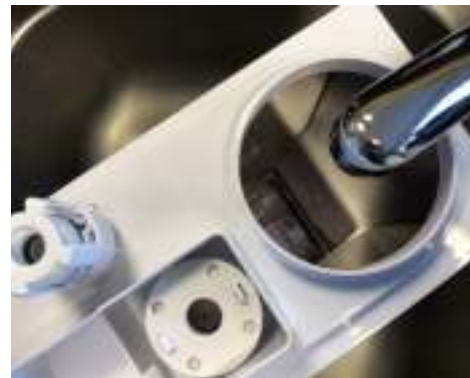
Handle



Water tank lid and filter



Faucet for filling



Then place the water tank under the **faucet** for filling, grasping it from the handle under the water tank. Fill the tank with tap water (or other clean water source with water temperature under 40°C), re-insert the lid and filter. Flip the water tank once again until it is on the right side up. Ensure that the basin is clean and then carefully place the water tank back on the lower body.

Wait a few seconds until the water tank lid starts to release water into the basin. You will hear a bubbling sound as the air enters the water tank. Plug the power plug into a suitable power outlet, a signal sounds to indicate that your device is in standby mode. If the humidifier is switched on/off, the value for humidity will now be displayed.



## Power Button:

Press the **Power Button** to activate the humidifier. The machine is now operating in manual mode. It will release cool mist on a constant basis with the mist intensity level automatically set to medium.



## Manual Button:

The **Manual Button** changes the mist level (low, medium, high). There are 3 levels of mist output available.



## Child Lock:

Child lock protects from unwanted use of the device.

The **Child Lock** is switched on / off by pressing the **Manual Button** for 3 seconds.

If the child lock is switched on, a red lock icon  appears in the display.



## Humidity Button:

Pressing the **Humidity Button**, you can select the desired humidity level by pressing this button repeatedly until the required humidity level is displayed (from 40% to 80% in increments of 5%). Once you select your desired humidity level, simply stop pressing the button and your humidity level will be set.

When the humidity level in the room reaches the set humidity level, the machine will go into automatic sleep state and stop producing mist. When the room's actual humidity level drops below your set humidity level, then the machine will start producing mist again.



## Auto Mode:

When automatic mode is activated, the unit will automatically select the level of relative humidity and keep it between 55% and 68%.

The **Auto Mode** is switched on / off by pressing the **Humidity Button** for 3 seconds.



## Negative Ion Button:

Pressing the **Negative Ion Button** will activate the negative ion generator with a total capacity of > 3.000.000 negative ions / cm<sup>3</sup> that are spread through out the entire room and thereby neutralize pollutants and smells. Negative ions attach onto dust particles, microorganisms and other unwanted particles in the air and connect them to each other. This way, the particles become heavier than air and fall onto the ground so that you can no longer breathe them in.

Negative ions are most found in the forest, mountains and by the sea. Negative ions ensures fresh and healthy air.



## Timer Button:

Pressing the **Timer Button** sets the timer. The timer function determines how many hours the humidifier will operate. You can set the timer simply by pressing it once for each hour that you would like to run the device. The timer can be set from 1 hour to 12 hours. As time passes, the time value decreases until it goes to 00:00 and the device shuts off.



## Sleep Mode:

When the sleep mode is activated, the display will turn off in 10 seconds. Only the sleep mode light is on.

The **Sleep Mode** is switched on / off by pressing the **Timer Button** for 3 seconds.



## Heating Button:

Pressing the **Heating Button** activates the warm mist function and is shown on the LED display with three wavy vertical lines. The water is heated in the basin by a PTC heating element and will be heated up by over 65 degrees for killing effective bacteria (Legionella). Heating the water makes the mist output finer for faster and more efficient humidification.

## Automatic shutdown when water tank is empty

Should the water tank be empty, a threefold acoustic signal sounds. The corresponding



symbol lights up in the display while the remaining indicators go out. The device will automatically stop humidifying. In this case, turn off the device with the ON / OFF button. Let the device cool down before pouring any more water in the tank.

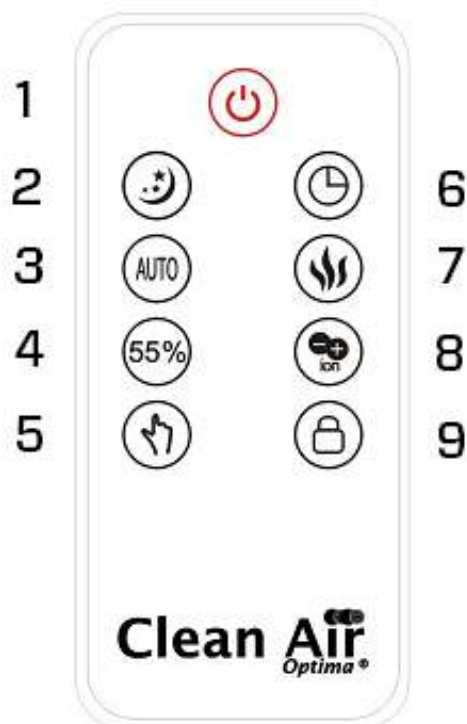
**Caution:** The device and the water in the nebulisation chamber (basin) might be very hot. When lifting the device or removing the water tank right after operation you risk scalding yourself with the hot water!

Ensure that the water tank is always completely refilled.

## Remote control

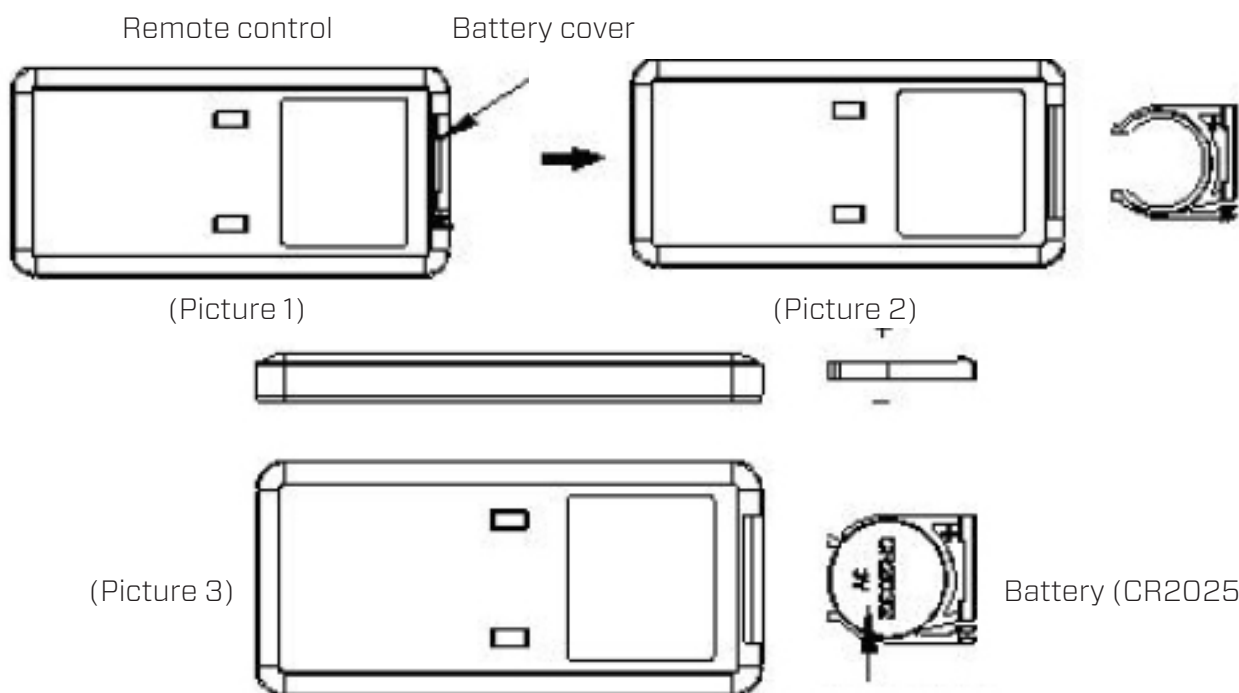
The buttons on your remote control:

1. ON / OFF
2. Sleep mode
3. Auto mode
4. Desired humidity
5. Min. / Max.
6. Timer
7. Heating
8. Negative ions
9. Child lock



## Replacing batteries in the remote control

1. Open the battery cover at the back side of remote control to place the battery. (see Picture 1).
2. To place the battery: there is a “security tab” at the bottom of the remote control that you first have to slide to the right and then pull out the battery holder. (see Picture 2). Insert the battery with the correct polarity. (see Picture 3).
3. Push the battery cover back into the remote control.





## Preparation Clean Air Optima® Water Filter W-01W

The **Water Filter W-01W** reduces the limescale in the water and the undesirable emission of limescale particles into the room surroundings. Effective for one to three months, depending on the water hardness. Hard tap water accelerates saturation of the granulate faster so that the **Water Filter W-01W** must be replaced earlier.

1. Rinse the **Water Filter W-01W** for 2 minutes under cold running tap water.



2. Screw the **Water Filter W-01W** to the water tank lid.

### Determining water hardness:

1. Dip the enclosed test strip into a glass of cold tap water for 1 second.



2. Read the water hardness teststrip after one minute.
3. Refer to the table to determine the expected duration of the **Water Filter W-01W**.

■ ■ ■ ■	= 3 months
■ ■ ■ ■	= 3 months
■ ■ ■ ■	= 2 months
■ ■ ■ ■	= 2 months
■ ■ ■ ■	= 1 months


Dispose of the saturated **Water Filter W-01W** with your regular household waste.

The **Water Filter W-01W** should not be used longer than specified.

You can order the **Water Filter W-01W** in our online store at [www.cleanairoptima.com](http://www.cleanairoptima.com)

## Replacing the Clean Air Optima® Water Filter W-01W

The **Clean Air Optima CA-606W** is equipped with a filter lifespan surveillance mechanism that signals that the water filter have to be replaced after 400 working hours. To show that the

**Water Filter W-01W** need to be replaced, the humidifier emits a double zero  indicator light. Reset the timer for the water filter by pressing and holding the power button for about 3 seconds. If the indicator light goes out, the timer has been successfully reset.

## Placing/Replacing the Clean Air Optima® Silver Ion SI-01

The **Silver Ion SI-01** uses the anti-microbial effect of silver, it prevents the growth of bacteria and smells in the water. The **Silver Ion SI-01** even works when your humidifier is switched off, so the water stays fresh.

Replace the **Silver Ion SI-01** at the start of the humidifier season or replace the **Silver Ion SI-01** after one year of usage.

### Replacing the Silver Ion SI-01:

1. Grasp the water tank by the handle at the top and lift from the base.



2. Take out the used **Silver Ion SI-01**.



3. Insert the new **Silver Ion SI-01**.

Dispose of the **Silver Ion SI-01** with your regular household waste.

The **Silver Ion SI-01** should not be used longer than specified.

You can order the **Silver Ion SI-01** in our online store at [www.cleanairoptima.com](http://www.cleanairoptima.com)

## Aromatherapy

### Activating the aroma function:

- Remove the aroma tray from the bracket.
- Pour 5 - 10 drops of Clean Air Optima<sup>®</sup> essential oil onto the sponge.
- Put the aroma tray back into the bracket.
- When you turn on your air humidifier, the aroma function will be activated.
- If you want to deactivate the aroma function, or should the device not be in use for extended periods of time, remove the aroma sponge from the compartment and wash it with a little of mild soap water. Let it dry completely before placing it back in the aroma compartment. Basically, the aroma sponge is reusable.



### Important

In order to reach the best results and to enjoy your ultrasonic air humidifier as much as possible, we advise to read carefully the following instructions regarding the use of essential oils in the ultrasonic air humidifier CA-606W.

### Use of essential oils in the CA-606W

Use our high quality essential oils and enjoy your personal aromatherapy! A scent sensation at its highest level!

You can find high quality essential oils with many different scents in our assortment. They perfectly fit to the ultrasonic air humidifier CA-606W and have been specially developed for the use with this ultrasonic humidifier:



You can order the **Essential Oils** in our online store at [www.cleanairoptima.com](http://www.cleanairoptima.com)

### Warning!

The use of other essential oils not made for this air humidifier or other additives (for example: fragrances and water purification products) can damage the air humidifier and must **NOT** be used! ***Never put other pure essential oils or other additives into the water tank resp. the waterbasin! Even a small quantity can damage the plastic and cause cracks.***

The material is not made for the use of additives. One drop is enough to damage the water tank/ waterbasin and disable the device. Devices that are damaged through additives are excluded from the guarantee.

## Cleaning and maintenance

You can ensure that your **Clean Air Optima<sup>®</sup> CA-606W** humidifier will provide years of trouble-free operation by following a few simple maintenance procedures. If your water is hard and contains high concentrations of calcium and other minerals, over time white dust (lime) will start to settle on the various surfaces in the room. A white deposit (lime scale) will also form in the **water basin**, on the **transducer/PTC heating element** and on the interior of the water tank. Lime deposits will impair the proper functioning of the **transducer/PTC heating element** and the efficient hygienic humidification of the unit.

### We recommend the following

1. Clean the **transducer/PTC heating element** and the **water basin** once a week if you use the appliance daily with **Clean Air Optima<sup>®</sup> Cleaner & Descaler\***.
2. As soon as the water tank needs refilling, pour out any remaining water and fill it with fresh water.
3. Clean the entire device and keep all parts completely dry when the device is not in use.



Specially developed for **Clean Air Optima<sup>®</sup>** humidifiers:

- Not aggressive
- Protects plastic and ceramic materials of the humidifier
- Odour neutral
- Cleans & descales quickly and thoroughly
- Biodegradable

You can order the **Clean Air Optima<sup>®</sup> Cleaner & Descaler** from our online shop at [www.cleanairoptima.com](http://www.cleanairoptima.com).

PTC heating element



Transducer

## Cleaning the transducer/PTC heating element and water basin

Unplug the device.

During cleaning and descaling, the device must not be used.

Remove any splashes of **Clean Air Optima® Cleaner & Descaler** from work surfaces or the outside of the device with a soft, damp cloth.

1. Pour two capfuls of **Clean Air Optima® Cleaner & Descaler** into the water basin (one onto the surface of the **transducer** and **one** onto the **PTC heating element**) and leave for between two and five minutes.
2. Carefully remove the mineral (lime) layer from the surface of the **transducer** and **PTC heater** with a small brush, cotton swab or toothbrush.  
Caution: never use sharp or hard objects to clean the transducer/PTC heating element.
3. Then add water up to the rim of the **water basin** and leave for a minimum of 30 and a maximum of 60 minutes.
4. Rinse the **transducer/PTC heating element** and **water basin** thoroughly with water.
5. If there are still traces of limescale visible, we recommend that you repeat the cleaning and descaling process.
6. Clean the inside of the **water tank** with a mild detergent and rinse with clean water.

After cleaning and descaling, your device is hygienically clean, free of limescale, free of bacteria, free of viruses and immediately ready for use again.

### Please note:

For cleaning and descaling, the device must be turned off/unplugged, so that no acid is released into the air via aerosols through ultrasonic misting.

## Troubleshooting

The following is a troubleshooting guide to help you solve any issues that you may have using the **Clean Air Optima<sup>®</sup> Ultrasonic Humidifier CA-606W**.

Problem	Possible Cause	Solution
No mist diffused.	Power plug not plugged in. ON / OFF button not activated. Empty water tank. Not enough water in tank.	Plug in device. Press ON / OFF button. Fill tank with water. Refill tank with water.
The mist has a strange odour.	A new device. It either has dirty water or the water has been stagnant too long.	Remove the water tank, unscrew the lid and let it air out in a cool area for 12 hours. Clean the water tank and refill with clean water.
The volume of spray mist is too low.	Too much mineral scale in the water basin and on the transducer. Water is too dirty or water was kept too long in the tank.	Clean the water basin and the transducer with: <b>Clean Air Optima<sup>®</sup> Cleaner &amp; Descaler.</b> Clean the water tank and refill with clean water.
Device is noisy.	Water tank not positioned correctly. Not enough water in the water tank. Device is on an unstable surface.	Correctly position water tank on the base. Refill water in the water tank. Place device on solid and even ground.
Spray mist is coming out of the area around the mist nozzle.	There are gaps between the housing around the nozzle and the top of the water tank.	Remove the nozzle from the top of the water tank and clean with a damp cloth. Reattach to the water tank.

*If your water is very hard (containing abnormally high levels of minerals) the humidifier may produce white dust. This is not a malfunction. The solution would be to replace the Water Filter W-01W more often or use softer water, like distilled water. Or we can recommend Clean Air Optima Air Washers, more info in our online store [www.cleanairoptima.com](http://www.cleanairoptima.com)*

## WARNING!

If the above recommended solutions do not work, please contact Clean Air Optima technical support at the telephone number for your region. Do not attempt to disassemble, reassemble, or repair the device as this may void the warranty.

## Specifications

Model	CA-606W
For rooms up to	65m <sup>2</sup> / 160m <sup>3</sup> / 699ft <sup>2</sup>
Rated voltage	220V - 240V, 50/60Hz
Rated power	25W - Max. 105W
Capacity airhumidification	Min. 120 ml/h - Max. 480 ml/h
Active oxygen	<0.05 ppm
Sound level	Silent fan < 25dB(A)
Dimensions	230 x 150 x 370 mm
Weight	3,4 kg
Water tank	5,5 L
Colour	Pearl white with smoked glass water tank

Complies with EU regulations CE / WEEE / RoHS

**Ask your retailer or your municipality for updated information regarding the disposal of the packaging and of the device.**





## Service

### Warranty Certificate for the Clean Air Optima® Ultrasonic Humidifier CA-606W.

Date of purchase: .....  
 Customers name: .....  
 Address: .....  
 Telephone: .....  
 Email: .....  
 Seller's name: .....  
 Address: .....

1. Please fill in completely this Warranty Certificate. Send it with the invoice and the unit, postage pre-paid and using the original packing box, to your distributor. Make sure to include the appropriate return postage for the package.
2. Please enclose a short description of the damage, fault or malfunction, and the circumstances under which these problems arose.

The **Clean Air Optima® Ultrasonic Humidifier CA-606W** is subjected to strict testing procedures before leaving the factory. If within 2 years from the date of purchase the product does not perform according to the specifications, because of factory defects, the purchaser is entitled to free repairs or replacement of parts upon presentation of this warranty (provided that the malfunction or damage to the device and/or parts occurred under normal operating conditions). What is covered: All parts defective in material and workmanship. For how long: two years from purchase date. What we will do: Repair or replace any defective parts.

#### Other Conditions

The provisions of this warranty are in lieu of any other written warranty whether express or implied, written or oral, including any warranty of merchantability or fitness for a particular purpose. The manufacturer's maximum liability shall not exceed the actual purchase price paid by you for the product. In no event shall the manufacturer be liable for special, incidental, consequential, or indirect damages. This warranty does not cover a defect that has resulted from improper or unreasonable use or maintenance, faulty assembly, accident, natural catastrophes, improper packing, or unauthorized tampering, alteration, or modification as determined solely by us. This warranty is void if the label bearing the serial number has been removed or defaced.

**Never put other pure essential oils or other additives into the water tank resp. the waterbasin! Even a small quantity can damage the plastic and cause cracks.**



# Thank you for reading!



Share your feedback about the Clean Air Optima®  
Ultrasonic Humidifier CA-606W on:  
[www.cleanairoptima.com](http://www.cleanairoptima.com)



For frequently asked questions about the CA-606W go to:  
[www.cleanairoptima.com](http://www.cleanairoptima.com) and search for the CA-606W.



Download PDF instruction manual on:  
[www.cleanairoptima.com/info/manuals](http://www.cleanairoptima.com/info/manuals)



Watch all Clean Air Optima® Product  
animation video's on:  
[www.youtube.com](http://www.youtube.com)

**Clean Air Optima International B.V.** | David Ricardostraat 9-7 / 9-9 | 7559 SH Hengelo (ov)  
The Netherlands | Phone: +31 (0) 74 - 2670145

**Clean Air Optima Germany GmbH** | Enschedestraße 14 | 48529 Nordhorn | Germany  
Phone: +49 (0) 5921 879-121

**E-mail:** [info@cleanairoptima.com](mailto:info@cleanairoptima.com)

**Internet:** [www.cleanairoptima.com](http://www.cleanairoptima.com)

## Deutsch

**Vielen Dank, dass Sie sich für den Luftbefeuchter Clean Air Optima<sup>®</sup> CA-606W entschieden haben.**

Wir wünschen Ihnen viele Jahre gesunde Raumluft mit diesem effizienten und effektiven Produkt.

Diese Anleitung beschreibt die Sicherheitsvorkehrungen, die im Betrieb zu beachten sind. Sie sind dafür vorgesehen, Verletzungen vorzubeugen und Beschädigungen am Gerät zu vermeiden.

### **Beschreibung des Geräts**

Das Gerät besteht aus folgenden Hauptkomponenten:

1. Nebeldüse
2. Griff
3. Wassertank
4. Schwimmer
5. Aromakasten
6. Netzkabel
7. PTC-Heizelement
8. Wassertankdeckel und Filter

## Sicherheitshinweise

Dieses Gerät darf nur in Übereinstimmung mit diesen Sicherheitshinweisen verwendet werden. Führen Sie die folgenden Schritte aus, um das Verletzungsrisiko für Personen (z.B. durch Stromschläge oder Feuer) zu minimieren.

1. Nur für Innenräume geeignet. Nicht im Freien verwenden oder lagern.
2. Die richtige Spannung verwenden: AC 220 V - 240 V, 50/60 Hz
3. Der interne Ultraschall-Messwandler ist hochempfindlich. Berühren Sie ihn nicht mit bloßen Fingern und kratzen Sie nicht mit Metallwerkzeugen daran, da sonst die Nebelabgabe verringert wird. Für die Reinigung dieses Bereichs verwenden Sie bitte eine kleine Reinigungsbürste, einen Wattebausch oder eine Zahnbürste. Verwenden Sie kein heißes Wasser, da dies die Vernebelungsteile beschädigen kann.
4. Das Gerät ist nicht für die Verwendung durch Kinder oder Personen mit eingeschränkten körperlichen, sensorischen oder geistigen Fähigkeiten bestimmt, es sei denn, diese Personen werden von einer für ihre Sicherheit verantwortlichen Person beaufsichtigt.
5. Kinder müssen vom Gerät ferngehalten werden, außer die Kinder sind unter ständiger Aufsicht.
6. Stellen Sie das Gerät zum sicheren Gebrauch in eine stabile, horizontale Position. Beim Gebrauch nicht bewegen.
7. Um Störungen und Schäden an anderen elektronischen Geräten zu vermeiden, sollte dieses Gerät mindestens 1 Meter von einem Computer, Fernseher, Radio oder anderen elektronischen Geräten entfernt aufgestellt werden.
8. Verwenden Sie das Gerät nicht, wenn sichtbare Schäden am Netzkabel oder am Gerät selbst vorhanden sind. Reparieren Sie das Gerät nicht selbst, wenn es beschädigt ist. Ziehen Sie das Gerät niemals an seinem Kabel. Wenn das Netzkabel beschädigt ist, muss es von einem befugten Servicemitarbeiter ausgetauscht werden, um Stromschlag oder Feuer zu vorzubeugen.
9. Reparaturen dürfen nur von befugtem Servicepersonal durchgeführt werden. Nicht versuchen, das Gerät selbst zu reparieren, um Stromschlägen oder Feuer vorzubeugen.
10. Immer den Stecker aus der Steckdose ziehen, wenn das Gerät nicht benutzt wird, oder wenn Sie innere oder äußere Teile des Geräts reinigen.
11. Den Wassertank herausnehmen, bevor Sie das Gerät bewegen.
12. Verwenden Sie nur die mitgelieferten Netzkabel.
13. Verwenden Sie das Gerät nicht in Räumen, in denen brennbare Flüssigkeiten oder Gase aufbewahrt werden, in der Nähe von Wärmequellen oder in besonders feuchten Räumen wie dem Badezimmer.
14. Um Fehlfunktionen vorzubeugen: Keine Fremdkörper in das Gerät einführen.
15. Nie die inneren Teile des Geräts zerlegen oder ersetzen.
16. Das Gerät nicht in direktem Sonnenlicht aufbewahren, damit sich das Gerät nicht verfärbt.
17. Nie das Gerät in Wasser oder andere Flüssigkeiten eintauchen.
18. Berühren Sie das Netzkabel nicht mit nassen Händen.
19. Den warmen Nebel nicht in der Nähe berühren.
20. Vor der Aufbewahrung das Gerät reinigen und trocknen (auch das gesamte Wasser aus dem Inneren des Geräts entfernen). Bewahren Sie das Gerät an einem kühlen und trockenen Ort außerhalb der Reichweite von Kindern.
21. Die Wasserwanne nicht reinigen, wenn das Wasser noch heiß ist.
22. Verwenden, warten und reinigen Sie das Gerät wie in dieser Anleitung beschrieben.

## Bedienungsanleitung

Bevor Sie beginnen: Nehmen Sie den Clean Air Optima CA-606W aus dem Karton und lassen Sie ihn mindestens 30 Minuten an die Raumtemperatur akklimatisieren, besonders wenn das Gerät von der Außenluft kalt ist. Stellen Sie das Gerät auf eine feste, ebene und wasserunempfindliche Fläche, ca. 60 cm über dem Fußboden und mindestens 20 cm von der Wand entfernt.

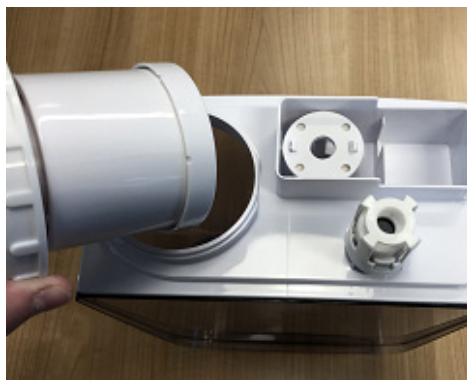
Der CA-606W ist für den Betrieb bei Temperaturen von 5 bis 40 °C und einer relativen Luftfeuchtigkeit unter 80 % ausgelegt.

Als erstes fassen Sie den Wassertank am **Griff** oben und heben ihn vom Unterteil. Als nächstes den Tank umdrehen, abschrauben und **Wassertankdeckel sowie Filter abnehmen**.

**Griff**



**Wassertankdeckel und Filter**



**Wasserhahn zum Befüllen**



Stellen Sie dann den Wassertank zum Befüllen unter den **Wasserhahn**, fassen Sie ihn dazu am Griff unter dem Wassertank. Füllen Sie den Tank mit Leitungswasser (oder einer anderen sauberen Wasserquelle mit einer Wassertemperatur unter 40 °C), setzen Sie den Deckel und den Filter wieder ein. Den Wassertank noch einmal umdrehen, sodass die richtige Seite oben ist. Sicherstellen, dass das Becken sauber ist, und den Wassertank vorsichtig wieder auf das untere Gehäuse setzen.

Warten Sie einige Sekunden, bis der Wassertankdeckel beginnt, Wasser in das Becken abzugeben. Sie hören ein blubberndes Geräusch, wenn die Luft in den Wassertank eintritt. Stecken Sie den Netzstecker in eine geeignete Steckdose. Ein Signalton gibt an, dass sich das Gerät im Standby-Modus befindet. Wenn der Befeuchter ein- und ausgeschaltet wird, werden die Werte für die Luftfeuchtigkeit angezeigt.



## Ein/Aus-Taste:

Die **Power-Taste** drücken, um den Befeuchter zu aktivieren. Das Gerät arbeitet nun im manuellen Modus. Es gibt konstant kühlenden Nebel ab, wobei die Intensität des Nebels automatisch auf mittel eingestellt ist.



## Taste „Manuell“:

Die **Manuell-Taste** ändert die Nebelstufe (niedrig, mittel, hoch). Für die Nebelabgabe stehen 3 Stufen zur Auswahl.



## Kindersicherung

Die Kindersicherung schützt vor unbefugter Benutzung des Gerätes. Die **Kindersicherung** wird durch Drücken der **Manual-Taste** für ca. 3 Sekunden ein- und ausgeschaltet.

Wenn die Kindersicherung eingeschaltet ist, zeigt das Display ein rotes Schloss-Symbol



## Feuchtigkeit-Taste:

Durch Drücken der **Humidity-Taste** können Sie den gewünschten Feuchtigkeitsgrad durch wiederholtes Drücken dieser Taste auswählen, bis der gewünschte Feuchtigkeitsgrad angezeigt wird (von 40 % bis 80 % in Schritten von 5 %). Sobald Sie Ihre gewünschte Luftfeuchtigkeit ausgewählt haben, lassen Sie die Taste einfach los, und Ihre Luftfeuchtigkeit ist eingestellt. Wenn die Luftfeuchtigkeit im Raum den eingestellten Wert erreicht, schaltet das Gerät in den automatischen Ruhezustand und erzeugt keinen Nebel mehr. Wenn die tatsächliche Luftfeuchtigkeit im Raum unter die eingestellte Luftfeuchtigkeit fällt, beginnt das Gerät, wieder Nebel zu erzeugen.



## Auto-Modus:

Wenn der automatische Modus aktiviert ist, hält das Gerät die relative Luftfeuchtigkeit zwischen 55 % und 68 %, das Gerät wählt den Nebelgrad selbständig. Die **Automatische Modus** wird durch Drücken der **Feuchtigkeit-Taste** für ca. 3 Sekunden ein- und ausgeschaltet.



## Negative Ion“-Taste:

Drücken der **Negative Ion-Taste** aktiviert den Negativionengenerator mit einer Gesamtkapazität von > 3.000.000 negativen Ionen / cm<sup>3</sup> die sich über den gesamten Raum verteilen und so Schadstoffe und Gerüche neutralisieren. Negative Ionen binden sich an Staubpartikel, Mikroorganismen und andere unerwünschte Partikel in der Luft und verbinden sie miteinander. Auf diese Weise werden die Partikel schwerer als Luft und fallen auf den Boden, so dass sie nicht mehr eingeatmet werden können.

Negative Ionen sind am häufigsten im Wald, in den Bergen und am Meer zu finden. Negative Ionen sorgen für frische und gesunde Luft.



## Timer-Taste:

Durch Drücken der **Timer-Taste** wird der Timer eingestellt. Die Timerfunktion bestimmt, wie viele Stunden der Befeuchter arbeitet. Den Timer können Sie einfach einstellen, indem Sie ihn einmal für jede Stunde drücken, in der Sie das Gerät betreiben möchten. Der Timer kann von 1 Stunde bis 12 Stunden eingestellt werden. Im Laufe der Zeit nimmt der Zeitwert ab, bis er 00:00 erreicht und das Gerät abschaltet.



## Schlafmodus:

Wenn der Schlafmodus aktiviert ist, schaltet sich die Anzeige nach 10 Sekunden aus. Nur die Schlafmodus-Leuchte leuchtet.

Die **Schlafmodus** wird durch Drücken der **Timer-Taste** für ca. 3 Sekunden ein- und ausgeschaltet.



## Heiztaste:

Drücken der **Heiztaste** aktiviert die Warmnebelfunktion. Dies wird auf dem LED-Display mit drei welligen vertikalen Linien angezeigt. Das Wasser wird im Becken durch ein PTC-Heizelement erwärmt und auf über 65 Grad erwärmt, um Bakterien (Legionellen) wirksam abzutöten. Durch die Erwärmung des Wassers wird der Nebelausstoß feiner für eine schnellere und effizientere Befeuchtung.

## Automatische Abschaltung bei leerem Wassertank

Falls der Wassertank leer ist, ertönt ein dreifaches akustisches Signal. Das entsprechende Symbol



leuchtet im Display auf, während die übrigen Anzeigen erlöschen. Das Gerät stoppt das Befeuchten automatisch. Schalten Sie in diesem Fall das Gerät mit der ON / OFF-Taste aus. Das Gerät abkühlen lassen, bevor Sie weiteres Wasser in den Tank gießen.

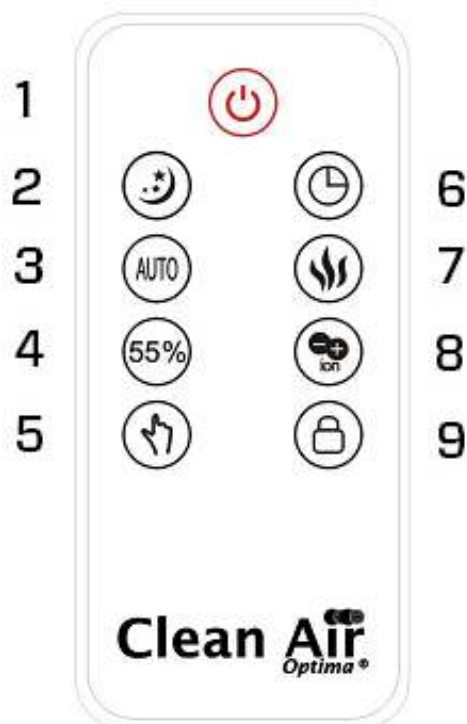
**Vorsicht:** Das Gerät und das Wasser in der Vernebelungskammer (Becken) können sehr heiß sein. Beim Anheben des Gerätes oder beim Entfernen des Wassertanks direkt nach dem Betrieb besteht die Gefahr, dass Sie sich mit dem heißen Wasser verbrennen!

Darauf achten, dass der Wassertank immer vollständig nachgefüllt wird.

## Fernbedienung

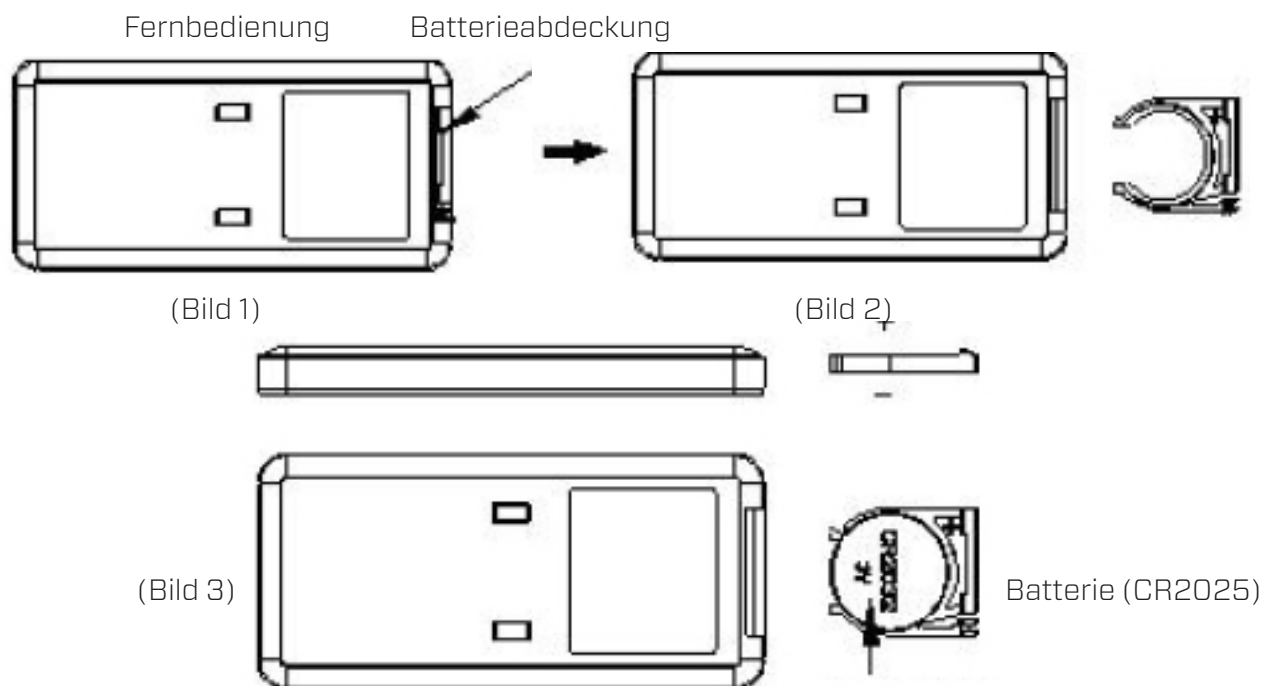
### Die Tasten auf Ihrer Fernbedienung:

1. EIN / AUS
2. Schlafmodus
3. Auto-Modus
4. Gewünschte Luftfeuchtigkeit
5. Min. / Max.
6. Timer
7. Heizung
8. Negative Ionen
9. Kindersicherung



### Wechseln der Batterien in der Fernbedienung

1. Öffnen Sie die Batterieabdeckung an der Rückseite der Fernbedienung, um die Batterie einzulegen. (siehe Bild 1).
2. Zum Einsetzen der Batterie: An der Unterseite der Fernbedienung befindet sich eine „Sicherheitslasche“, die Sie zuerst nach rechts schieben und dann den Batteriehalter herausziehen müssen. (siehe Bild 2). Setzen Sie die Batterie richtig gepolt ein. (siehe Bild 3).
3. Die Batterieabdeckung wieder in die Fernbedienung drücken.



## Vorbereitung Clean Air Optima<sup>®</sup> Wasserfilter W-01W

Der **Wasserfilter W-01W** reduziert den Kalk im Wasser und die unerwünschte Emission von Kalkpartikeln in die Raumumgebung. Je nach Wasserhärte ein bis drei Monate wirksam. Hartes Leitungswasser beschleunigt die Sättigung des Granulats schneller, so dass der **Wasserfilter W-01W** früher ersetzt werden muss.

1. Den **Wasserfilter W-01W** 2 Minuten unter fließendem kaltem Leitungswasser ausspülen.



2. Den **Wasserfilter W-01W** auf den Wassertankdeckel schrauben.

### Bestimmung der Wasserhärte:

1. Tauchen Sie den beiliegenden Teststreifen 1 Sekunde in ein Glas kaltes Leitungswasser ein.



2. Nach einer Minute den Wasserhärte-teststreifen ablesen.
3. Für die voraussichtliche Lebensdauer des **Wasserfilters W-01W** siehe die Tabelle.

■ ■ ■ ■	= 3 Monate
■ ■ ■ ■	= 3 Monate
■ ■ ■ ■	= 2 Monate
■ ■ ■ ■	= 2 Monate
■ ■ ■ ■	= 1 Monat

Entsorgen Sie den gesättigten **Wasserfilter W-01W** mit dem normalen Hausmüll.

Der **Wasserfilter W-01W** sollte nicht länger als angegeben verwendet werden. Den **Wasserfilter W-01W** können Sie bestellen in unserem Online-Shop unter [www.cleanairoptima.com](http://www.cleanairoptima.com)



## Ersetzen des Clean Air Optima<sup>®</sup> Wasserfilter W-01W

Der **Clean Air Optima CA-606W** ist mit einem Mechanismus zur Überwachung der Filterlebensdauer ausgestattet, der signalisiert, dass die Wasserfilter nach 400 Betriebsstunden ausgetauscht werden müs. Um anzuzeigen, dass die **Wasserfilter W-01W** ausgetauscht

werden müs, blinkt eine Kontrollleuchte  Doppelnull am Luftbefeuchter. Setzen Sie den Timer für den Wasserfilter zurück. Halten Sie die Taste Ein/Aus für ca. 3 Sekunden gedrückt. Wenn die Kontrollleuchte erlischt, wurde der Timer erfolgreich zurückgesetzt.

## Einsetzen/Ersetzen des Clean Air Optima<sup>®</sup> Silver Ion SI-01

Der **Silver Ion SI-01** verhindert Wachstum von Bakterien und Gerüche im Wasser durch die antimikrobielle Wirkung von Silber. Der **Silver Ion SI-01** funktioniert sogar, wenn Ihr Befeuchter ausgeschaltet ist, so dass das Wasser frisch bleibt.

Ersetzen Sie den **Silver Ion SI-01** zu Beginn der Befeuchtersaison oder ersetzen Sie den **Silver Ion SI-01** nach einem Jahr Gebrauch.

### Ersetzen des Silver Ion SI-01:

1. Als erstes fassen Sie den Wassertank oben am Griff und heben ihn vom Unterteil.



2. Nehmen Sie den gebrauchten **Silver Ion SI-01** heraus.



3. Setzen Sie den neuen **Silver Ion SI-01** ein.  
Entsorgen Sie den **Silver Ion SI-01** mit dem normalen Hausmüll.

Der **Silver Ion SI-01** sollte nicht länger als angegeben verwendet werden. Den **Silver Ion SI-01** können Sie bestellen in unserem Online-Shop unter [www.cleanairoptima.com](http://www.cleanairoptima.com)

## Aromatherapie

### Aktivieren der Aromafunktion:

- Nehmen Sie die Aromaschale aus der Halterung.
- Geben Sie 5 - 10 Tropfen Clean Air Optima<sup>®</sup> ätherisches Öl auf den Schwamm.
- Setzen Sie die Aromaschale wieder in die Halterung ein.
- Wenn Sie Ihren Luftbefeuchter einschalten, wird die Aromafunktion aktiviert.
- Wenn Sie die Aromafunktion deaktivieren möchten oder das Gerät längere Zeit nicht benutzt wird, nehmen Sie den Aromaschwamm aus dem Fach und waschen Sie ihn mit etwas milder Seifenlauge aus. Lassen Sie ihn vollständig trocknen, bevor Sie ihn wieder in das Aromafach einsetzen. Grundsätzlich ist der Aromaschwamm wiederverwendbar.



### Wichtig

Für optimale Ergebnisse mit Ihrem Ultraschall-Luftbefeuchter empfehlen wir Ihnen, die folgenden Hinweise zur Verwendung von ätherischen Ölen im Ultraschall-Luftbefeuchter CA-606W sorgfältig zu beachten.

### Verwendung von ätherischen Ölen im CA-606W

Verwenden Sie unsere hochwertigen ätherischen Öle und genießen Sie Ihre persönliche Aromatherapie! Ein Dufterlebnis auf höchstem Niveau!

Hochwertige ätherische Öle mit vielen verschiedenen Düften finden Sie in unserem Sortiment. Sie passen perfekt zum Ultraschall-Luftbefeuchter CA-606W und wurden speziell für den Einsatz mit diesem Ultraschall-Luftbefeuchter entwickelt:



Die **Ätherischen Öle** können Sie bestellen in unserem Online-Shop unter [www.cleanairoptima.com](http://www.cleanairoptima.com)

### Warnung!

Andere ätherische Öle, die nicht für diesen Luftbefeuchter hergestellt wurden, oder anderer Zusatzstoffe (z.B. Duftstoffe und Wasserreinigungsprodukte) können den Luftbefeuchter beschädigen und dürfen **NICHT** verwendet werden! **Niemals andere reine ätherische Öle oder andere Zusatzstoffe in den Wassertank bzw. das Wasserbecken geben! Schon eine kleine Menge kann den Kunststoff beschädigen und Risse verursachen.**

Das Material ist nicht für die Verwendung von Zusatzstoffen bestimmt. Ein Tropfen genügt, um den Wassertank/das Wasserbecken zu beschädigen und das Gerät zu deaktivieren. Geräte, die durch Zusatzstoffe beschädigt werden, sind von der Garantie ausgeschlossen.

## Reinigung und Wartung

Sie können selbst dazu beitragen, dass Ihr **Clean Air Optima<sup>®</sup> CA-606W** Luftbefeuchter jahrelang einwandfrei funktioniert: Beachten Sie dazu einige einfache Wartungshinweise. Wenn Sie hartes Wasser haben, das zudem hohe Konzentrationen an Kalzium und anderen Mineralstoffen aufweist, kann sich im Laufe der Zeit ein weißer Niederschlag (Kalk) auf verschiedenen Flächen im Raum ablagern. Auch im **Wasserbehälter**, auf dem **Transduktor/ PTC-Heizelement** und innen im Wassertank können weiße Ablagerungen (Kalk) entstehen. Diese Kalkablagerungen können eine einwandfreie Funktionsweise des **Transduktors/ PTC-Heizelements** sowie die effiziente hygienische Luftbefeuchtung behindern.

### Wir empfehlen Folgendes:

1. Wenn Sie das Gerät täglich verwenden, reinigen Sie **den Transduktor/das PTC-Heizelement** und den **Wasserbehälter** ein Mal pro Woche mit **Clean Air Optima<sup>®</sup> Reiniger & Entkalker\***.
2. Gießen Sie das restliche Wasser aus dem Wassertank und füllen Sie ihn mit frischem Wasser, sobald der Wassertank nachgefüllt werden muss.
3. Reinigen Sie das gesamte Gerät und halten Sie alle Bauteile vollständig trocken, wenn das Gerät nicht verwendet wird.



Speziell entwickelt für **Clean Air Optima<sup>®</sup>** Luftbefeuchter:

- nicht aggressiv
- schützt Kunststoff und keramische Materialien des Luftbefeuchters
- geruchsneutral
- reinigt & entkalkt schnell und gründlich
- biologisch abbaubar

Sie können den **Clean Air Optima<sup>®</sup> Reiniger & Entkalker** in unserem Online-Shop auf [www.cleanairoptima.com](http://www.cleanairoptima.com) bestellen.

PTC-Heizelement



Transduktor

## Den Transduktor/das PTC-Heizelement und den Wasserbehälter reinigen

Schalten Sie das Gerät aus.

Während Sie das Gerät reinigen und entkalken, darf es nicht verwendet werden.

Entfernen Sie Spritzer des **Clean Air Optima<sup>®</sup> Reiniger & Entkalker** auf einer Arbeitsfläche oder an der Außenseite des Geräts mit einem weichen, feuchten Tuch.

1. Geben Sie 2 Verschlusskappen **Clean Air Optima<sup>®</sup> Reiniger & Entkalker** in den Wasserbehälter (verteilen Sie 1 Verschlusskappe auf der Oberfläche des **Transduktors** und **1 Verschlusskappe** auf dem **PTC-Heizelement**) und lassen Sie es 2 – 5 Minuten einwirken.
2. Entfernen Sie die Mineralschicht (Kalk) mit einer kleinen Bürste, einem Wattestäbchen oder einer Zahnbürste vorsichtig von der Oberfläche des **Transduktors** und des **PTC-Heizelements**  
Hinweis: Verwenden Sie keinesfalls scharfkantige oder harte Gegenstände zur Reinigung des Transduktors/Heizelements.
3. Füllen Sie anschließend Wasser bis an den Rand des **Wasserbehälters** und lassen Sie es mindestens 30 Minuten und höchstens 60 Minuten einwirken.
4. Spülen Sie **den Transduktor/das PTC-Heizelement** und den **Wasserbehälter** gründlich mit Wasser ab.
5. Wenn noch Reste der Kalkablagerungen zu sehen sind, empfehlen wir Ihnen, Reinigung und Entkalken zu wiederholen.
6. Reinigen Sie die Innenseite des **Wasserbehälters** mit einem milden Spülmittel und spülen Sie mit sauberem Wasser nach.

Nach dem Reinigen und Entkalken ist Ihr Gerät hygienisch sauber, kalkfrei und frei von Bakterien und Viren; das Gerät kann sofort wieder verwendet werden.

### Achtung:

Beim Reinigen und Entkalken muss das Gerät ausgeschaltet sein, damit durch die Ultraschall-Vernebelung keine Säure über Aerosole in die Luft gelangt.

## Störungssuche

Im Folgenden finden Sie eine Anleitung zur Störungssuche. Sie hilft Ihnen, Probleme zu lösen, die bei Verwendung des **Clean Air Optima® Ultraschall-Luftbefeuchter CA-606W** auftreten können.

Problem	Mögliche Ursache	Lösung
Kein Nebel verteilt.	Netzstecker nicht eingesteckt. Taste ON / OFF nicht betätigt. Den Wassertank leeren. Nicht genug Wasser im Tank.	Netzstecker des Geräts einstecken. Die Taste ON / OFF drücken. Den Tank mit Wasser füllen. Den Tank wieder mit Wasser füllen.
Der Nebel riecht sonderbar.	Ein neues Gerät.  Entweder ist das Wasser schmutzig oder es stand zu lange still.	Den Wassertank herausnehmen, den Deckel abschrauben und 12 Stunden in einem kühlen Bereich auslüften lassen.  Den Wassertank reinigen und mit sauberem Wasser neu füllen.
Die Sprühnebelmenge ist zu gering.	Zu viel Mineralienablagerungen im Wasserbecken und auf dem Transduktor.  Wasser ist zu schmutzig oder Wasser wurde zu lange im Tank gehalten.	Den Wasserbecken reinigen und den Transduktor reinigen mit: <b>Clean Air Optima® Reiniger &amp; Entkalker.</b>  Den Wassertank reinigen und mit sauberem Wasser neu füllen.
Gerät ist laut.	Wassertank nicht richtig positioniert.  Nicht genug Wasser im Wassertank.  Gerät steht auf einer instabilen Oberfläche.	Positionieren Sie den Wassertank richtig auf dem Unterteil.  Den Wassertank wieder mit Wasser füllen.  Stellen Sie das Gerät auf einen festen und ebenen Untergrund.
Sprühnebel kommt aus dem Bereich um die Nebeldüse.	Zwischen dem Gehäuse um die Düse und der Oberseite des Wassertanks befinden sich Spalten.	Die Düse an der Oberseite des Wassertank abnehmen und sie mit einem feuchten Tuch reinigen. Wieder am Wassertank anbringen.

*Wenn Ihr Wasser sehr hart ist (mit einem ungewöhnlich hohen Gehalt an Mineralien), kann der Befeuchter weißen Staub produzieren. Dies ist keine Fehlfunktion. Die Lösung ist, den Wasserfilter W-01W häufiger auszutauschen oder weiches Wasser (z.B. destilliertes Wasser) zu verwenden. Wir können auch Clean Air Optima Luftreiniger empfehlen. Weitere Informationen finden Sie in unserem Online-Shop [www.cleanairoptima.com](http://www.cleanairoptima.com)*

## WARNUNG!

Wenn die oben empfohlenen Lösungen nicht funktionieren: Wenden Sie sich bitte an den technischen Kundendienst von Clean Air Optima unter der Telefonnummer Ihrer Region. Nicht versuchen, das Gerät zu zerlegen, wieder zusammenzubauen oder zu reparieren, da andernfalls die Garantie erlöschen kann.

## Technische Daten

Modell	CA-606W
Für Räume bis	65 m <sup>2</sup> / 160 m <sup>3</sup> / 699 ft <sup>2</sup>
Nennspannung	220 - 240 V, 50/60 Hz
Nennleistung	25 W - max. 105W
Kapazität Luftbefeuchtung	Min. 120 ml/h - max. 480 ml/h
Aktiver Sauerstoff	<0,05 ppm
Schallpegel	Leiser Lüfter < 25 dB(A)
Maße	230 x 150 x 370 mm
Gewicht	3,4 kg
Wassertank	5,5 l
Farbe	Perlweiß mit Wassertank aus Rauchglas

Entspricht den EU-Vorschriften CE / EEAG / RoHS

**Fragen Sie Ihren Händler oder Ihre Kommunalverwaltung nach aktuellen Informationen über die Entsorgung der Verpackung und des Geräts.**



## Service

### Garantiezertifikat für den Clean Air Optima® Ultraschall-Luftbefeuchter CA-606W.

Kaufdatum: .....  
Name des Kunden: .....  
Adresse: .....  
Telefon: .....  
E-Mail: .....  
Name des Verkäufers: .....  
Adresse: .....

1. Bitte füllen Sie dieses Garantiezertifikat vollständig aus. Senden Sie es mit der Rechnung und dem Gerät, Porto im Voraus bezahlt und in der Originalverpackung an Ihren Händler. Fügen Sie ausreichendes Rückporto für das Paket bei.

2. Bitte fügen Sie eine kurze Beschreibung des Schadens, der Störung oder des Fehlers und der Umstände bei, unter denen diese Probleme aufgetreten sind.

Der **Clean Air Optima® Ultraschall-Luftbefeuchter CA-606W** durchläuft vor Verlassen des Werks strenge Prüfverfahren. Wenn das Produkt innerhalb von 2 Jahren ab Kaufdatum nicht den Spezifikationen entspricht, hat der Käufer aufgrund von Fertigungsmängeln das Recht auf kostenlose Reparatur oder Ersatz von Teilen gegen Vorlage dieser Garantie (vorausgesetzt, dass die Fehlfunktion oder Beschädigung des Geräts und/oder der Teile unter normalen Betriebsbedingungen aufgetreten ist). Die Garantie gilt: Für alle in Material und Verarbeitung fehlerhaften Teile. Wie lange: zwei Jahre ab Kaufdatum. Das werden wir tun: Fehlerhafte Teile reparieren oder ersetzen.

#### Sonstige Bedingungen

Die Bestimmungen dieser Garantie ersetzen alle anderen schriftlichen Garantien, ob ausdrücklich oder stillschweigend, schriftlich oder mündlich, einschließlich der Garantie der Marktgängigkeit oder Eignung für einen bestimmten Zweck. Die maximale Haftung des Herstellers überschreitet nicht den tatsächlichen Kaufpreis, den Sie für das Produkt gezahlt haben. In keinem Fall haftet der Hersteller für besondere, zufällige, Folge- oder indirekte Schäden. Diese Garantie erstreckt sich nicht auf einen Mangel, der nach unserem alleinigen Ermessen auf unsachgemäße oder unangemessene Verwendung oder Wartung, fehlerhafte Montage, Unfall oder Naturkatastrophen, unsachgemäße Verpackung oder unbefugte Manipulationen, Änderungen oder Modifikationen zurückzuführen ist. Diese Garantie erlischt, wenn der Aufkleber mit der Seriennummer entfernt oder entstellt wurde.

**Niemals andere reine ätherische Öle oder andere Zusatzstoffe in den Wassertank bzw. das Wasserbecken geben! Schon eine geringe Menge kann den Kunststoff beschädigen und Risse verursachen.**

# Vielen Dank für das Lesen!



Äußern Sie Ihre Meinung über den Clean Air Optima®  
Ultraschall-Luftbefeuchter CA-606W unter:  
[www.cleanairoptima.com](http://www.cleanairoptima.com)



Für häufig gestellte Fragen zum CA-606W besuchen Sie bitte:  
[www.cleanairoptima.com](http://www.cleanairoptima.com) und suchen Sie nach „CA-606W“.



Download der PDF-Gebrauchsanleitung unter:  
[www.cleanairoptima.com/info/manuals](http://www.cleanairoptima.com/info/manuals)



Alle Produktanimationsvideos  
zum Clean Air Optima® auf:  
[www.youtube.com](http://www.youtube.com)

**Clean Air Optima International B.V.** | David Ricardostraat 9-7 / 9-9 | 7559 SH Hengelo (ov)  
Niederlande | Telefon: +31 (0) 74 - 2670145

**Clean Air Optima Germany GmbH** | Enschedestraße 14 | 48529 Nordhorn | Deutschland  
Telefon: +49 (0) 5921 879-121

**E-Mail:** [info@cleanairoptima.com](mailto:info@cleanairoptima.com)

**Internet:** [www.cleanairoptima.com](http://www.cleanairoptima.com)



## **Nederlands**

**Bedankt voor de aanschaf van de Clean Air Optima® ultrasone luchtbevochtiger CA-606W.**

Wij wensen u vele jaren gezonde binnenlucht toe met dit efficiënte en doeltreffende product.

Deze instructies beschrijven de veiligheidsvoorschriften die tijdens het gebruik moeten worden nageleefd. Ze zijn bedoeld om verwondingen en schade aan het apparaat te voorkomen.

### **Beschrijving van het apparaat**

Het apparaat bestaat uit de volgende hoofdonderdelen:

1. Sproeikop
2. Handgreep
3. Watertank
4. Vlotter
5. Aromahouder
6. Netsnoer
7. PTC-verwarmingselement
8. Deksel en filter van de watertank

## Veiligheidswaarschuwingen

Dit apparaat mag alleen worden gebruikt in overeenstemming met deze veiligheidsinstructies. Neem de volgende stappen om het risico op verwondingen door bijvoorbeeld elektrische schokken of brand tot een minimum te beperken.

1. Alleen voor gebruik binnenshuis. Niet buiten gebruiken of opslaan.
2. Gebruik de juiste spanning: 220-240 V, 50/60 Hz
3. De interne ultrasone transducer is zeer gevoelig. Raak deze niet met blote vingers aan en schuur deze niet met metalen gereedschap, anders vermindert de neveluitstoot. Gebruik voor het reinigen van deze zone een kleine schoonmaakborstel, wattenstaafje of tandenborstel. Gebruik geen warm water. Dit kan de vernevelende delen beschadigen.
4. Het apparaat is niet bedoeld voor gebruik door kinderen of personen met verminderde lichamelijke, zintuiglijke of verstandelijke vermogens, tenzij zij onder toezicht staan van een persoon die verantwoordelijk is voor hun veiligheid.
5. Kinderen moeten uit de buurt worden gehouden tenzij ze onder voortdurend toezicht staan.
6. Zet het apparaat op een stabiele, horizontale plaats neer om dit veilig te gebruiken. Verplaats het apparaat niet tijdens het gebruik.
7. Om storingen en schade aan andere elektronische apparaten te voorkomen, moet dit apparaat op minimaal 1 meter afstand van een computer, televisie, radio of andere elektronische apparatuur neergezet worden.
8. Gebruik het apparaat niet als er zichtbare schade is aan het netsnoer of het apparaat zelf. Repareer in geval van schade het apparaat niet zelf. Trek nooit aan het snoer van het apparaat. Als het netsnoer beschadigd is, moet het worden vervangen door erkend servicepersoneel om elektrische schokken of brand te voorkomen.
9. Herstellingen mogen alleen worden uitgevoerd door erkend servicepersoneel. Probeer het apparaat niet zelf te repareren, om elektrische schokken of brand te voorkomen.
10. Verwijder de stekker altijd uit het stopcontact wanneer het apparaat niet wordt gebruikt of wanneer u interne of externe onderdelen van het apparaat reinigt.
11. Verwijder de watertank voordat u het apparaat verplaatst.
12. Gebruik alleen de meegeleverde netsnoeren.
13. Gebruik het apparaat niet op plaatsen waar ontvlambare vloeistoffen of gassen worden bewaard, in de buurt van warmtebronnen of op bijzonder vochtige plaatsen zoals de badkamer, douche of het zwembad.
14. Breng geen vreemde voorwerpen aan in het apparaat om storingen te voorkomen.
15. Demonteer of vervang nooit de binnenste delen van het apparaat.
16. Zet het apparaat niet in direct zonlicht. Zo voorkomt u dat het apparaat verkleurt.
17. Dompel het apparaat nooit onder in water of andere vloeistoffen.
18. Raak het netsnoer niet met natte handen aan.
19. Raak de warme nevel niet van dichtbij aan.
20. Reinig en droog het apparaat vóór opslag (verwijder eveneens alle water uit de binnenkant van het apparaat). Bewaar het apparaat buiten het bereik van kinderen op een koele en droge plaats.
21. Reinig de watertank niet wanneer het water nog warm is.
22. Gebruik, onderhoud en reinig het apparaat zoals beschreven in deze handleiding.

## Gebruiksaanwijzing

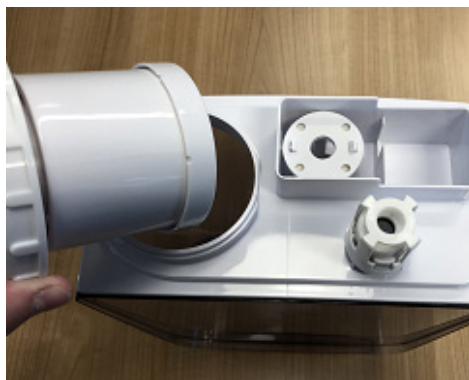
Haal de Clean Air Optima<sup>®</sup> CA-606W uit de doos voordat u begint en laat het apparaat gedurende minstens 30 minuten aan de kamertemperatuur wennen, vooral wanneer het apparaat koud is vanwege de buitenlucht. Zet het apparaat op een stevige, vlakke en waterongevoelige ondergrond, ca. 60 cm van de vloer en minstens 20 cm van de muur. De CA-606W is ontworpen om te werken bij temperaturen tussen 5 en 40 °C en een relatieve luchtvochtigheid van minder dan 80%.

Pak om te beginnen de watertank vast bij de **handgreep** aan de bovenkant en til deze van de basis. Draai vervolgens de watertank om, draai het **deksel en filter** van de watertank af en haal deze weg.

### Handgreep



### Deksel en filter van de watertank



### Kraan voor het vullen



Houd vervolgens de watertank onder de **kraan** om deze te vullen. Houd hem vast bij de handgreep onder de watertank. Vul de tank met leidingwater (of een andere schone waterbron met een watertemperatuur van minder dan 40 °C). Plaats het deksel en filter weer terug. Draai de watertank weer om tot hij met de juiste kant naar boven gericht is. Zorg ervoor dat het waterbassin schoon is en plaats vervolgens de watertank voorzichtig terug op de onderkant van de behuizing.

Wacht enkele seconden tot het deksel van de watertank het water in de waterbak begint te lozen. U hoort een borrelend geluid wanneer lucht in de watertank komt. Steek de stekker in een geschikt stopcontact. Er klinkt een signaal om aan te geven dat uw apparaat in stand-bymodus staat. Wanneer de luchtbevochtiger wordt in/uitgeschakeld, wordt luchtvochtigheidswaarde weergegeven.



## Aan/uit-knop:

Druk op de **aan/uit-knop** om de luchtbevochtiger te activeren. Het apparaat werkt nu in 'manual'-modus. Het zal koude nevel op een constante basis vrijgeven waarbij de nevelintensiteit automatisch op gemiddeld wordt gezet.



## Manual'-knop:

De '**manual**'-knop verandert het nevelniveau (laag, gemiddeld, hoog). Er zijn 3 niveaus van neveluitstoot beschikbaar.



## Kinderslot:

Het kinderslot beschermt tegen ongewenst gebruik van het apparaat. Het **kinderslot** wordt in-/uitgeschakeld door de '**manual**'-knop 3 seconden lang in te drukken.

Als het kinderslot ingeschakeld is, verschijnt een rood slotpictogram  op het display.



## Luchtvochtigheidsknop:

Door op de **luchtvochtigheidsknop** te drukken, kunt u de gewenste luchtvochtigheidsgraad selecteren door herhaaldelijk op deze knop te drukken totdat de gewenste luchtvochtigheidsgraad wordt weergegeven (van 40% tot 80% in stappen van 5%). Zodra u de gewenste luchtvochtigheidsgraad hebt geselecteerd, stopt u gewoon met het indrukken van de knop en wordt uw luchtvochtigheidsgraad ingesteld. Wanneer de luchtvochtigheidsgraad in de ruimte de ingestelde luchtvochtigheidsgraad bereikt, zal het apparaat automatisch in slaapmodus gaan en stoppen met het produceren van nevel. Wanneer de werkelijke luchtvochtigheid in de ruimte onder uw ingestelde luchtvochtigheidsgraad daalt, zal het apparaat opnieuw nevel produceren.



## Automatische modus:

Wanneer de automatische modus is geactiveerd, houdt het apparaat de relatieve luchtvochtigheid tussen de 55% en 68%, het apparaat kiest zelf het nevelniveau. De **automatische modus** wordt in- / uitgeschakeld door de **luchtvochtigheidsknop** 3 seconden lang in te drukken.



## Negatieve ion'-knop:

Door op de '**negatieve ion'-knop** te drukken, wordt de ionisator geactiveerd met een totale capaciteit van > 3.000.000 negatieve ionen/cm<sup>3</sup> die zich door de hele ruimte verspreiden en daardoor vervuilende stoffen en geuren neutraliseren. Negatieve ionen hechten zich aan stofdeeltjes, micro-organismen en andere ongewenste deeltjes in de lucht en verbinden deze met elkaar. Op deze manier worden de deeltjes zwaarder dan lucht waardoor ze op de grond vallen zodat je ze niet meer kunt inademen.

Negatieve ionen komen het meest voor in het bos, de bergen en bij de zee. Negatieve ionen zorgen voor frisse en gezonde lucht.



## Timerknop:

Door op de **timerknop** te drukken, wordt de timer ingesteld. De timerfunctie bepaalt hoeveel uur de luchtbevochtiger zal werken. U kunt de timer eenvoudig instellen door er één keer op te drukken voor elk uur dat u het apparaat wilt gebruiken. De timer kan worden ingesteld van 1 tot 12 uur. Naarmate de tijd verstrijkt, neemt de tijdswaarde af tot 00:00 uur en schakelt het apparaat uit.



## Slaapmodus:

Wanneer de slaapmodus geactiveerd is, zal het display na 10 seconden uitgeschakeld worden. Alleen het lampje van de slaapmodus brandt.

De **Slaapmodus** wordt in/uitgeschakeld door de '**Timer'-knop** 3 seconden lang in te drukken.



## Verwarmingsknop:

Door op de **verwarmingsknop** te drukken, wordt de 'warme nevel'-functie geactiveerd. Deze wordt op het led-display met drie golvende verticale lijnen weergegeven. Het water wordt in het waterbassin verwarmd door een PTC-verwarmingselement en wordt met meer dan 65 graden opgewarmd om effectief bacteriën (legionella) te doden. Het verwarmen van het water maakt de neveluitstoot fijner voor een snellere en efficiëntere bevochtiging.

## Automatische uitschakeling bij een lege watertank

Wanneer de watertank leeg is, klinkt er een drievoudig akoestisch signaal. Het overeenkomstige



pictogram licht op in het display terwijl de overige indicatoren uitgaan. Het apparaat stopt automatisch met bevochtigen. Schakel in dit geval het apparaat uit met de aan/uit-knop. Laat het apparaat afkoelen voordat u weer water in de watertank giet.

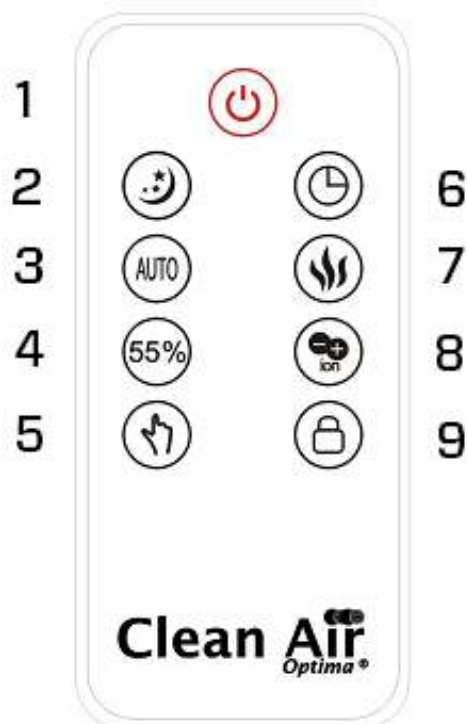
**Opgelet:** Het apparaat en het water in de vernevelingskamer (waterbassin) kunnen zeer heet zijn. Bij het optillen van het apparaat of het verwijderen van de watertank direct na gebruik loopt u het risico dat u zich aan het warme water verbrandt!

Zorg ervoor dat de watertank altijd volledig wordt bijgevuld.

## Afstandsbediening

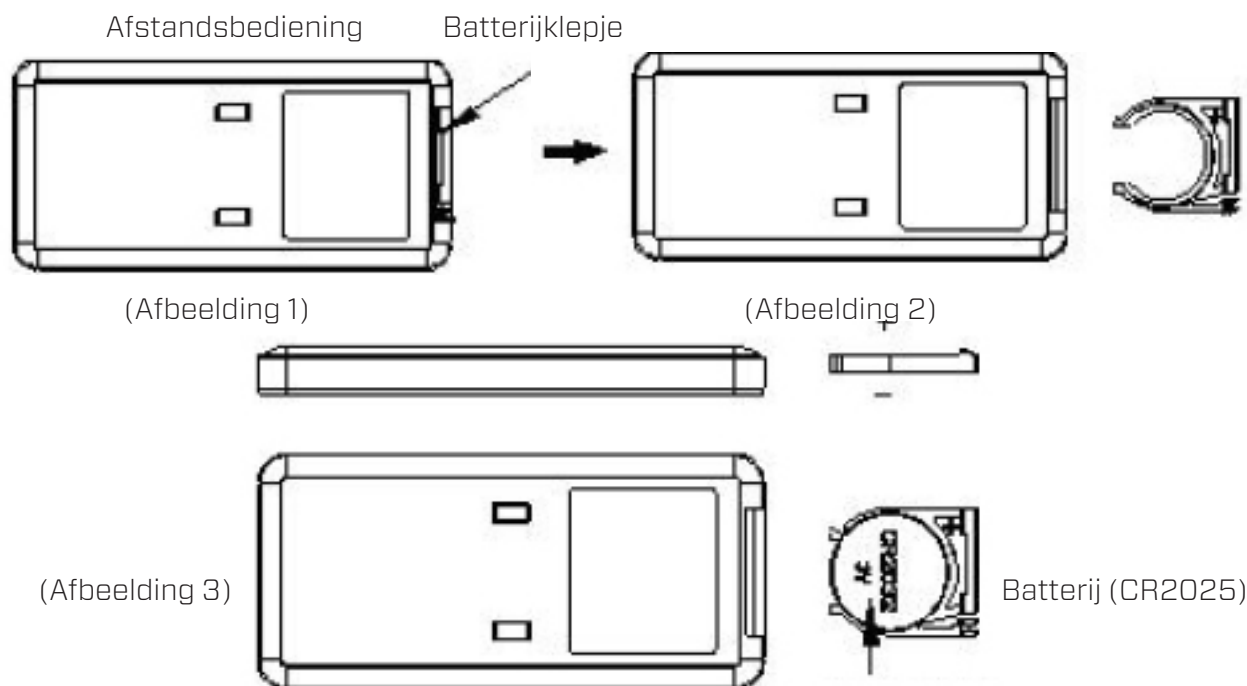
De knoppen op uw afstandsbediening:

1. AAN/UIT
2. Slaapmodus
3. Automatische modus
4. Gewenste luchtvochtigheid
5. Min./max.
6. Timer
7. Verwarming
8. Negatieve ionen
9. Kinderslot



## Vervangen van de batterijen in de afstandsbediening

1. Open het batterijklepje aan de achterkant van de afstandsbediening om de batterij te plaatsen. (zie afbeelding 1).
2. Om de batterij te plaatsen: aan de onderkant van de afstandsbediening bevindt zich een 'beveiligingslipje' dat u eerst naar rechts moet schuiven. Trek vervolgens de batterijhouder eruit. (zie afbeelding 2). Plaats de batterij met de juiste polariteit. (zie afbeelding 3).
3. Duw het batterijklepje terug in de afstandsbediening.



## Vorbereiding Clean Air Optima® waterfilter W-01W

Het **waterfilter W-01W** vermindert de kalkaanslag in het water en de ongewenste uitstoot van kalkdeeltjes in de ruimte. Effectief gedurende één tot drie maanden, afhankelijk van de waterhardheid. Hard leidingwater versnelt de verzadiging van het granulaat sneller zodat het **waterfilter W-01W** eerder vervangen moet worden.

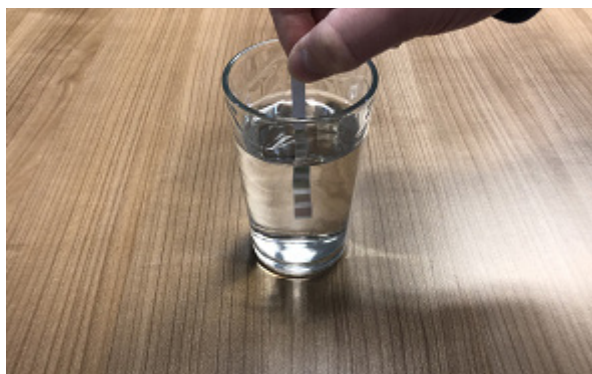
1. Spoel het **waterfilter W-01W** gedurende 2 minuten onder koud stromend leidingwater.



2. Draai het **waterfilter W-01W** op het deksel van de watertank.

### Het bepalen van de waterhardheid:

1. Dompel de bijgevoegde teststrip gedurende 1 seconde in een glas koud leidingwater.



2. Lees de waterhardheidsteststrip na één minuut af.
3. Raadpleeg de tabel om de verwachte duur van het **waterfilter W-01W** te bepalen.

■ ■ ■ ■	= 3 maanden
■ ■ ■ ■	= 3 maanden
■ ■ ■ ■	= 2 maanden
■ ■ ■ ■	= 2 maanden
■ ■ ■ ■	= 1 maand


Gooi het verzadigde **waterfilter W-01W** bij uw gewoon huishoudelijk afval.

Het **waterfilter W-01W** mag niet langer dan opgegeven gebruikt worden.

U kunt het **waterfilter W-01W** in onze online winkel [www.cleanairoptima.com](http://www.cleanairoptima.com) bestellen.

## Het vervangen van de Clean Air Optima<sup>®</sup> waterfilter W-01W

De **Clean Air Optima CA-606W** is uitgerust met een bewakingsmechanisme voor de levensduur van het waterfilter, dat aangeeft dat het waterfilter na 400 werkuren moet worden vervangen. Om aan te geven dat het **waterfilter W-01W** moet worden vervangen, begint het

controlelampje dubbel nul  van de luchtbevochtiger te knipperen. Reset de timer voor het waterfilter door de aan/uit-knop ongeveer 3 seconden ingedrukt te houden. Als het controlelampje uitgaat, is de timer met succes gereset.

## Het plaatsen/vervangen van de Clean Air Optima<sup>®</sup> Zilver Ion SI-01

De **Zilver Ion SI-01** maakt gebruik van de antimicrobiële werking van zilver. Dit voorkomt de groei van bacteriën en geuren in het water. De **Zilver Ion SI-01** werkt zelfs wanneer uw luchtbevochtiger uitgeschakeld is zodat het water schoon blijft.

Vervang de **Zilver Ion SI-01** aan het begin van het luchtbevochtigingsseizoen of vervang de **Zilver Ion SI-01** na een jaar gebruik.

### Het vervangen van de Zilver Ion SI-01:

1. Pak de watertank bij de handgreep aan de bovenkant vast en til hem van de basis.



2. Haal de gebruikte **Zilver Ion SI-01** eruit.



3. Plaats de nieuwe **Zilver Ion SI-01**.

Gooi de **Zilver Ion SI-01** bij uw gewoon huishoudelijk afval.

De **Zilver Ion SI-01** mag niet langer worden gebruikt dan opgegeven.

U kunt de **Zilver Ion SI-01** in onze online winkel [www.cleanairoptima.com](http://www.cleanairoptima.com) bestellen.



## Aromatherapie

### Het activeren van de aromafunctie:

- Haal het aromabakje uit de houder.
- Giet 5 tot 10 druppels Clean Air Optima<sup>®</sup> etherische olie op de spons.
- Plaats het aromabakje terug in de houder.
- Wanneer u uw luchtbevochtiger inschakelt, wordt de aromafunctie geactiveerd.
- Als u de aromafunctie wilt uitschakelen of als u het apparaat langere tijd niet gebruikt, verwijder dan de aromaspons uit het vakje en was deze met een beetje mild zeepwater. Laat de spons volledig drogen alvorens deze terug te plaatsen in het aromavakje. In principe is de aromaspons herbruikbaar.



### Belangrijk

Om de beste resultaten te bereiken en zo veel mogelijk te genieten van uw ultrasone luchtbevochtiger, raden wij u aan de volgende instructies met betrekking tot het gebruik van etherische oliën in de ultrasone luchtbevochtiger CA-606W aandachtig te lezen.

### Gebruik van etherische oliën in de CA-606W

Gebruik onze hoogwaardige etherische oliën en geniet van uw persoonlijke aromatherapie! Een geursensatie op het hoogste niveau! In ons assortiment vindt u etherische oliën van hoge kwaliteit in diverse geuren. Ze passen perfect bij de ultrasone luchtbevochtiger CA-606W en zijn speciaal ontwikkeld voor het gebruik met deze ultrasone luchtbevochtiger:



U kunt de **etherische oliën** in onze online winkel [www.cleanairoptima.com](http://www.cleanairoptima.com) bestellen.

### Waarschuwing!

Het gebruik van andere etherische oliën die niet voor deze luchtbevochtiger zijn gemaakt of andere additieven (bijvoorbeeld: geuren en waterzuiveringsproducten) kan de luchtbevochtiger beschadigen. Deze mogen bijgevolg NIET gebruikt worden! **Doe nooit andere zuivere etherische oliën of andere additieven in de watertank of het waterbassin! Zelfs een kleine hoeveelheid kan het plastic beschadigen en scheuren veroorzaken.** Het materiaal is niet gemaakt voor het gebruik van additieven. Eén druppel is voldoende om de watertank/het waterbassin te beschadigen en het apparaat onbruikbaar te maken. Apparaten die door additieven beschadigd zijn, vallen niet onder de garantie.

## Reiniging en onderhoud

U kunt ervoor zorgen dat uw **Clean Air Optima<sup>®</sup> CA-606W** luchtbevochtiger jarenlang probleemloos werkt door enkele eenvoudige onderhoudsprocedures in acht te nemen. Als uw water hard is en hoge concentraties calcium en andere mineralen bevat, zal na verloop van tijd wit stof (kalk) zich op de verschillende oppervlakken in de ruimte gaan afzetten. Ook in het **Waterbassin**, op de **Transductor / PTC-verwarmingselement** en op het binnenwerk van de watertank zal een witte aanslag (kalk) ontstaan. De kalk aanslag zal de goede werking van de **Transductor / PTC-verwarmingselement** en de efficiënte hygiënische luchtbevochtiging van het apparaat belemmeren.

### Wij adviseren het volgende

1. Reinig de **Transductor / PTC-verwarmingselement** en het **Waterbassin** eenmaal per week als u het apparaat dagelijks gebruikt met **Clean Air Optima<sup>®</sup> Reiniger & Ontkalker\***.
2. Giet het resterende water uit de watertank en vul deze met vers water zodra de watertank moet worden bijgevuld.
3. Reinig het hele apparaat en houd alle onderdelen volledig droog wanneer het apparaat niet in gebruik is.

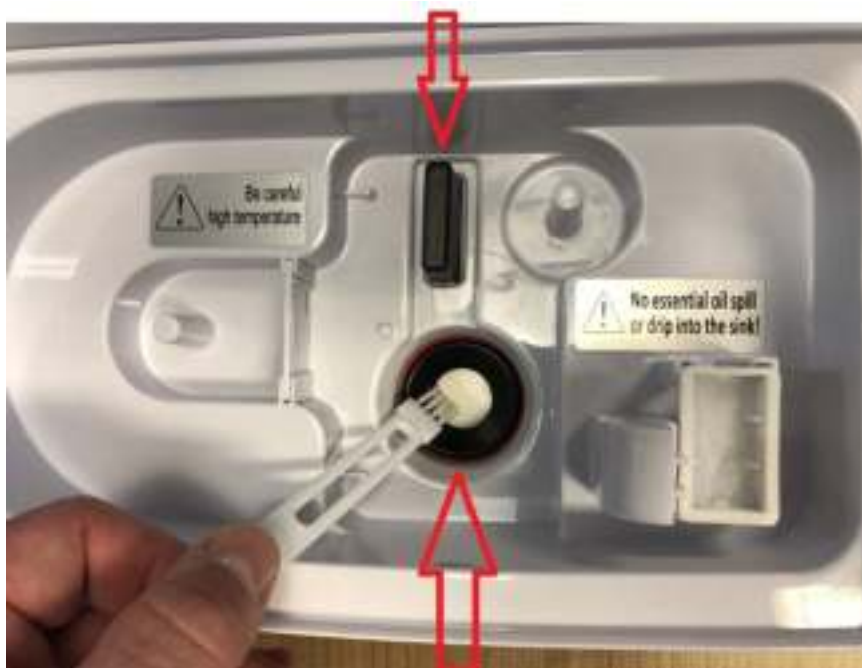


Speciaal ontwikkeld voor **Clean Air Optima<sup>®</sup>** luchtbevochtigers:

- Niet agressief
- Beschermt kunststof en keramische materialen van de luchtbevochtiger
- Geurneutraal
- Reinigt & ontkalkt snel en grondig
- Biologisch afbreekbaar

U kunt de **Clean Air Optima<sup>®</sup> Reiniger & Ontkalker** in onze online winkel [www.cleanairoptima.com](http://www.cleanairoptima.com) bestellen.

PTC-verwarmingselement



Transductor

### Reinigen van de Transductor / PTC-verwarmingselement en Waterbassin

Schakel het apparaat uit.

Tijdens het reinigen en ontkalken, mag het apparaat niet worden gebruikt.

Spatten van de **Clean Air Optima® Reiniger & Ontkalker** op een werkoppervlak of aan de buitenkant van het apparaat, verwijderen met een zachte, vochtige doek.

1. Doseer 2 doppen **Clean Air Optima® Reiniger & Ontkalker** in het waterbassin (verdeel 1 dopje op het oppervlak van de **Transductor** en **1 dopje** op het **PTC-verwarmingselement** en laat 2 – 5 minuten inwerken.
2. Verwijder het minerale (kalk) laagje voorzichtig van het oppervlak van de **Transductor** en **PTC-verwarmingselement** met een kleine borstel, wattenstaafje of tandenborstel. Let op: gebruik nooit scherpe of harde voorwerpen om de Transductor / PTC-verwarmingselement te reinigen.
3. Voeg vervolgens water toe tot de rand van het **Waterbassin** en laat minimaal 30 minuten en maximaal 60 minuten inwerken.
4. Spoel de **Transductor / PTC-verwarmingselement** en **Waterbassin** grondig af met water.
5. Indien er nog sporen van kalkaanslag zichtbaar zijn, adviseren wij reiniging en ontkalken te herhalen.
6. Reinig de binnenkant van de **Watertank** met een mild afwasmiddel, en spoel na met schoon water.

Na het reinigen en ontkalken is uw apparaat hygiënisch schoon, kalkvrij, vrij van bacteriën, vrij van virussen en meteen weer klaar voor gebruik.

#### Let op:

Om te reinigen en ontkalken, dient het apparaat uitgeschakeld te zijn, zodat er door de ultrasone verneveling geen zuur via aerosolen in de lucht komt.

## Probleemoplossing

Onderstaande gids helpt u bij het oplossen van problemen die u kunt ondervinden bij het gebruik van de **Clean Air Optima<sup>®</sup> ultrasone luchtbevochtiger CA-606W**.

Probleem	Mogelijke oorzaak	Oplossing
Geen nevel verspreid.	De stekker zit niet in het stopcontact.	Sluit het apparaat aan.
	Aan/uit-knop niet geactiveerd.	Druk op de aan/uit-knop.
	Lege watertank.	Vul de tank met water.
	Niet genoeg water in de tank.	Vul de tank bij met water.
De nevel heeft een vreemde geur.	Een nieuw apparaat.	Verwijder de watertank, draai het deksel eraf en laat alles 12 uur in een koele ruimte luchten.
	Er zit vuil water in of het water heeft te lang stilgestaan.	Reinig de watertank en vul deze weer met schoon water.
De hoeveelheid sproeinevel is te laag.	Te veel minerale aanslag in het waterbassin en op de transducer.	Reinig het waterbassin en de transducer met: <b>Clean Air Optima<sup>®</sup> Reiniger &amp; Ontkalker</b>
	Het water is te vuil of het water werd te lang in de tank bewaard.	Reinig de watertank en vul deze bij met schoon water.
Het apparaat maakt veel lawaai.	Watertank niet correct geplaatst.	Plaats de watertank correct op de basis.
	Niet genoeg water in de watertank.	Vul het water in de watertank bij.
	Het apparaat staat op een instabiel oppervlak.	Plaats het apparaat op een stevige en vlakke ondergrond.
Er komt sproeinevel uit het gebied rond de sproeikop.	Er zijn openingen tussen de behuizing rond de sproeikop en de bovenkant van de watertank.	Verwijder de sproeikop van de bovenkant van de watertank en reinig deze met een vochtige doek. Bevestig opnieuw aan de watertank.

*Als uw water erg hard is (met een abnormaal hoog mineraalgehalte) kan de luchtbevochtiger wit stof produceren. Dit is geen storing. De oplossing zou zijn om het waterfilter W-01W vaker te vervangen of zachter water zoals gedestilleerd water te gebruiken. Of we kunnen Clean Air Optima Air Washers aanbevelen. Meer info hierover in onze online winkel [www.cleanairoptima.com](http://www.cleanairoptima.com).*

## WAARSCHUWING!

Als de hierboven aanbevolen oplossingen niet werken, neem dan contact op met de technische ondersteuning van Clean Air Optima op het telefoonnummer voor uw regio. Probeer het apparaat niet te demonteren, opnieuw in elkaar te zetten of te repareren, aangezien dit de garantie kan doen vervallen.

## Specificaties

Model	CA-606W
Voor kamers tot	65 m <sup>2</sup> / 160 m <sup>3</sup> / 699 ft <sup>2</sup>
Nominale spanning	220-240 V / 60 Hz
Nominaal vermogen	25 W - max. 105 W
Capaciteit luchtbevochtiging	Min. 120 ml/u - max. 480 ml/u
Actief zuurstof	< 0,05 ppm
Geluidsniveau	Stille ventilator < 25 dB (A)
Afmetingen	230 x 150 x 370 mm
Gewicht	3,4 kg
Inhoud watertank	5,5 l
Kleur	Parelwit met gerookt glazen watertank

Voldoet aan de EU-regelgeving CE / WEEE / RoHS

**Vraag uw verkoper of uw gemeente om actuele informatie over de verwijdering van de verpakking en van het apparaat.**



## Service

### Garantiecertificaat voor de Clean Air Optima<sup>®</sup> ultrasone luchtbevochtiger CA-606W.

Aankoopdatum: .....  
Naam van de klant: .....  
Adres: .....  
Telefoon: .....  
E-mail: .....  
Naam van de verkoper: .....  
Adres: .....

1. Gelieve dit garantiecertificaat volledig in te vullen. Verzend het met de factuur en het apparaat, voldoende gefrankeerd en in de originele verpakkingsdoos, naar uw verkoper. Zorg dat u ook de retourzending van het pakket voldoende frankeert.
2. Gelieve een korte beschrijving bij te voegen van de schade, fout of storing en de omstandigheden waarin de problemen zich voordeden.

De **Clean Air Optima<sup>®</sup> ultrasone luchtbevochtiger CA-606W** ondergaat strenge testprocedures voordat het apparaat de fabriek verlaat. Indien het product binnen de 2 jaar na aankoopdatum wegens fabricagefouten niet volgens de specificaties functioneert, heeft de koper recht op gratis herstelling of vervanging van onderdelen op voorlegging van deze garantie (op voorwaarde dat de storing of beschadiging van het apparaat en/of onderdelen onder normale bedrijfsomstandigheden heeft plaatsgevonden). Wat wordt gedekt: Alle onderdelen met materiaal- of fabricagefouten. Hoe lang: gedurende twee jaar vanaf de aankoopdatum. Wat zullen we doen: Defecte onderdelen repareren of vervangen.

#### Overige voorwaarden

De bepalingen van deze garantie vervangen elke andere schriftelijke of mondelinge, uitdrukkelijke of impliciete garantie, met inbegrip van elke garantie van verkoopbaarheid of geschiktheid voor een bepaald doel. De maximale aansprakelijkheid van de fabrikant bedraagt niet meer dan de aankoopprijs die u daadwerkelijk voor het product heeft betaald. De fabrikant is in geen geval aansprakelijk voor bijzondere schade, incidentele schade, gevolgschade of indirecte schade. Deze garantie dekt geen defecten die het gevolg zijn van onjuist of onredelijk gebruik of onderhoud, foutieve montage, ongeval, natuurrampen, onjuiste verpakking of ongeoorloofde manipulatie, veranderingen of wijzigingen zoals uitsluitend door ons bepaald. Deze garantie vervalt als het etiket met het serienummer is verwijderd of beschadigd.

**Doe nooit andere zuivere etherische oliën of andere additieven in de watertank of het waterbassin! Zelfs een kleine hoeveelheid kan het plastic beschadigen en scheuren veroorzaken.**

# Bedankt om dit te lezen!



Deel uw feedback over de Clean Air Optima®  
ultrasone luchtbevochtiger CA-606W op:  
[www.cleanairoptima.com](http://www.cleanairoptima.com)



Ga voor veelgestelde vragen over de CA-606W naar:  
[www.cleanairoptima.com](http://www.cleanairoptima.com) en zoek naar de CA-606W.



Download de pdf-handleiding op:  
[www.cleanairoptima.com/info/manuals](http://www.cleanairoptima.com/info/manuals)



Bekijk alle Clean Air Optima®  
productanimatievideo's op:  
[www.youtube.com](http://www.youtube.com)

**Clean Air Optima International B.V.** | David Ricardostraat 9-7 / 9-9 | 7559 SH Hengelo (ov)  
Nederland | Telefoon: +31 (0) 74 - 2670145

**Clean Air Optima Duitsland GmbH** | Enschedestraße 14 | 48529 Nordhorn | Telefoon  
Duitsland: +49 (0) 5921 879-121

**E-mail:** [info@cleanairoptima.com](mailto:info@cleanairoptima.com)

**Internet:** [www.cleanairoptima.com](http://www.cleanairoptima.com)

## Français

### **Merci d'avoir acheté l'humidificateur à ultrasons Clean Air Optima® CA-606W.**

Grâce à cet appareil efficace, vous bénéficierez d'un air intérieur sain durant de nombreuses années.

Ces instructions décrivent les consignes de sécurité à respecter lors du fonctionnement de l'appareil. Elles sont destinées à prévenir les blessures et à éviter d'endommager l'appareil.

### **Description de l'appareil**

Les principaux composants de l'appareil sont les suivants :

1. Buse de production de brouillard
2. Poignée
3. Réservoir d'eau
4. Flotteur
5. Boîte à arômes
6. Cordon d'alimentation
7. Élément chauffant PTC
8. Couvercle du réservoir d'eau et filtre



## Avertissements de sécurité

Cet appareil ne peut être utilisé que conformément aux instructions de sécurité indiquées dans le présent document. Veillez à adopter les mesures suivantes afin de minimiser les risques de blessures corporelles dues par exemple à des chocs électriques ou un incendie.

1. Uniquement pour utilisation intérieure. N'utilisez pas et n'entrez pas l'appareil à l'extérieur.
2. Utilisez la tension appropriée : CA 220 V - 240 V, 50/60 Hz
3. Le transducteur ultrasonique interne est très sensible. Ne le touchez pas avec les doigts et ne le grattez pas à l'aide d'outils métalliques, car cela diminuerait le débit de brouillard. Pour le nettoyage de cette zone, utilisez une petite brosse de nettoyage, un coton-tige ou une brosse à dents. N'utilisez pas d'eau chaude car cela pourrait endommager les pièces responsables de la production de brouillard.
4. L'appareil n'est pas destiné à être utilisé par des enfants ou des personnes ayant des capacités physiques, sensorielles ou mentales réduites, sauf s'ils sont surveillés par une personne responsable de leur sécurité.
5. Les enfants doivent être maintenus à l'écart à moins d'être surveillés en permanence.
6. Afin d'utiliser l'appareil en toute sécurité, placez-le en position horizontale stable. Ne bougez pas l'appareil en cours d'utilisation.
7. Pour éviter toute interférence et tout dommage aux autres appareils électroniques, cette machine doit être disposée à au moins 1 mètre d'un ordinateur, d'un téléviseur, d'une radio ou de tout autre équipement électronique.
8. N'utilisez pas l'appareil si des dommages visibles sont présents sur le cordon électrique ou l'appareil lui-même. Ne réparez pas l'appareil vous-même en cas de dommages. Ne déplacez jamais l'appareil en tirant sur le cordon d'alimentation. Si le cordon d'alimentation est endommagé, il doit être remplacé par un technicien autorisé, et ce, afin d'éviter tout choc électrique ou incendie.
9. Les réparations ne peuvent être effectuées que par du personnel de service autorisé. N'essayez pas de réparer l'appareil vous-même, et ce, afin d'éviter tout risque d'électrocution ou d'incendie.
10. Ôtez toujours la fiche de la prise de courant lorsque l'appareil n'est pas utilisé ou lorsque vous nettoyez des parties internes ou externes de celui-ci.
11. Retirez le réservoir d'eau avant de déplacer l'appareil.
12. Utilisez uniquement les cordons d'alimentation fournis.
13. N'utilisez pas l'appareil à l'intérieur de locaux où sont entreposés des liquides ou des gaz inflammables, à proximité de sources de chaleur ou dans des pièces particulièrement humides comme des salles de bains, des douches ou des piscines.
14. N'insérez pas d'objets étrangers dans l'appareil, et ce, afin d'éviter tout dysfonctionnement.
15. Ne démontez ni ne remplacez jamais les éléments internes de l'appareil.
16. N'exposez pas l'appareil à la lumière directe du soleil afin d'éviter toute décoloration.
17. N'immergez jamais l'appareil dans l'eau ou dans d'autres liquides.
18. Ne touchez pas le cordon d'alimentation avec les mains mouillées.
19. Ne touchez pas le brouillard chaud de près.
20. Nettoyez et séchez l'appareil avant son stockage (et éliminez également toute trace d'eau à l'intérieur de l'appareil). Entrez la machine dans un endroit frais et sec, hors de portée des enfants.
21. Ne nettoyez pas le puits d'eau lorsque l'eau est encore chaude.
22. Utilisez, entretenez et nettoyez l'appareil comme décrit dans ce manuel.

## Instructions d'utilisation

Avant de commencer, retirez le Clean Air Optima<sup>®</sup> CA-606W de sa boîte et laissez l'appareil s'habituer à la température ambiante pendant au moins 30 minutes, surtout si la machine a été refroidie par de l'air extérieur. Placez l'appareil sur une surface solide, plane et étanche à l'eau, à environ 60 cm du sol et à au moins 20 cm du mur.

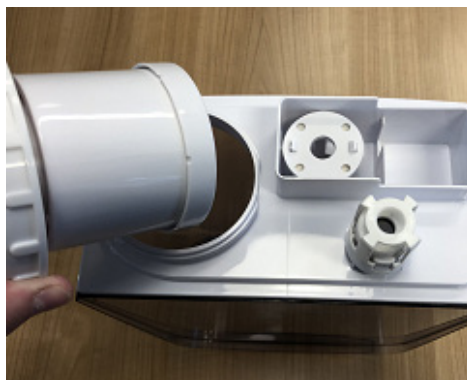
Le CA-606W est conçu pour fonctionner à des températures comprises entre 5 et 40°C, et à une humidité relative inférieure à 80 %.

Pour commencer, saisissez le réservoir d'eau à l'aide de la **poignée** située sur le dessus et soulevez-le à partir de sa base. Retournez ensuite le réservoir, dévissez-le et retirez le  **couvercle du réservoir d'eau ainsi que le filtre**.

Poignée



Couvercle du réservoir d'eau et filtre



Robinet de remplissage



Placez ensuite le réservoir d'eau sous le **robinet** de remplissage, en le saisissant par la poignée située sous le réservoir. Remplissez le réservoir à l'aide d'eau du robinet (ou d'une autre source d'eau propre dont la température est inférieure à 40°C), puis remettez le couvercle et le filtre en place. Retournez à nouveau le réservoir d'eau de telle sorte qu'il se retrouve sur le côté droit et vers le haut. Assurez-vous que le bassin est propre et remplacez soigneusement le réservoir d'eau sur la partie inférieure du caisson.

Patientez quelques secondes jusqu'à ce que le couvercle du réservoir d'eau commence à libérer de l'eau dans le bassin. Vous entendrez alors un bruit de bulles lorsque de l'air entrera à l'intérieur du réservoir d'eau. Branchez la fiche d'alimentation à une prise de courant appropriée ; un signal sonore indique que votre appareil est en mode veille. Lorsque vous allumez ou que vous éteignez l'humidificateur, la valeur de taux d'humidité s'affichent.



## Bouton d'alimentation :

Appuyez sur le **bouton d'alimentation** pour mettre l'humidificateur en marche. La machine fonctionne alors en mode manuel. Elle libère alors un brouillard froid de façon constante, le niveau d'intensité du brouillard étant automatiquement réglé sur Moyen.




## Bouton Manuel :

Le **bouton Manuel** permet de modifier le niveau de brouillard (Faible, Moyen, Élevé). Il y a 3 débits de brouillard disponibles.



## Sécurité enfant :

La sécurité enfant est une protection contre toute utilisation non souhaitée de l'appareil. Pour activer / désactiver la **sécurité enfant**, appuyez pendant 3 secondes sur le **bouton Manuel**. Lorsque la sécurité enfant est activée, une icône  de verrouillage rouge s'affiche à l'écran.



## Bouton Taux d'humidité

Vous pouvez sélectionner le taux d'humidité souhaité en appuyant plusieurs fois sur le **bouton Taux d'humidité**, jusqu'à ce que le taux d'humidité désiré soit affiché (de 40 % à 80 % par incréments de 5 %). Une fois que vous avez sélectionné le taux d'humidité désiré, arrêtez d'appuyer sur le bouton pour définir le taux d'humidité.

Lorsque le taux d'humidité dans la pièce est égal au taux d'humidité défini, la machine se met automatiquement en veille et arrête la production de brouillard au bout. Lorsque le taux d'humidité réel dans la pièce redevient inférieur au taux d'humidité défini, la machine recommence à produire du brouillard.



## Mode Auto:

En mode automatique, l'appareil maintient l'humidité relative entre 55 et 68 % et sélectionne le niveau de brume.

Pour activer / désactiver la **mode auto**, appuyez pendant 3 secondes sur le **bouton Taux d'humidité**.



## Bouton Ions négatifs :

Appuyez sur le **bouton Ions négatifs** pour activer le générateur d'ions négatifs avec une capacité totale supérieure à 3.000.000 ions négatifs/cm<sup>3</sup>, répartis dans toute la pièce et neutralisant ainsi les polluants et les odeurs. Les ions négatifs se fixent sur les particules de poussière, les microorganismes et autres particules indésirables présentes dans l'air, et les relient ensemble. Les particules en question deviennent ainsi plus lourdes que l'air et tombent sur le sol, de telle sorte que vous ne risquez plus de les respirer.

On trouve principalement des ions négatifs dans les forêts, les montagnes et sur les côtes. Ils permettent de garantir un air frais et sain.



## Bouton Minuterie :

Appuyez sur le **bouton Minuterie** pour régler la minuterie. La fonction de minuterie détermine le nombre d'heures de fonctionnement de l'humidificateur. Vous pouvez régler la minuterie en appuyant simplement une fois sur le bouton pour chaque heure pendant laquelle vous souhaitez faire fonctionner l'appareil. La minuterie peut être réglée sur une période allant de 1 heure à 12 heures. Au fur et à mesure que le temps passe, la valeur indiquée diminue jusqu'à ce qu'elle arrive à 00:00 et que l'appareil s'éteigne.



## Mode Veille :

Lorsque le mode Veille est activé, l'affichage s'éteint au bout de 10 secondes. Seul le voyant du mode Veille est allumé.

Pour activer / désactiver la **mode veille**, appuyez pendant 3 secondes sur le **bouton Minuterie**.



## Bouton Chauffage :

Appuyez sur le **bouton Chauffage** pour activer la fonction de brouillard chaud, trois lignes verticales ondulées apparaissent alors sur l'écran LCD. L'eau est chauffée dans le bassin par un élément chauffant PTC, et ce, à une température supérieure à 65 degrés afin de garantir une destruction efficace des bactéries (Legionella). Le chauffage de l'eau rend le débit de brouillard plus fin pour une humidification plus rapide et plus efficace.

## Arrêt automatique lorsque le réservoir d'eau est vide.

Lorsque le réservoir d'eau est vide, un triple signal sonore retentit. Le symbole correspondant



s'allume à l'écran tandis que les autres voyants s'éteignent. L'appareil arrête automatiquement l'humidification. Dans ce cas, éteignez l'appareil à l'aide du bouton MARCHE / ARRÊT. Laissez refroidir l'appareil avant de rajouter de l'eau dans le réservoir.

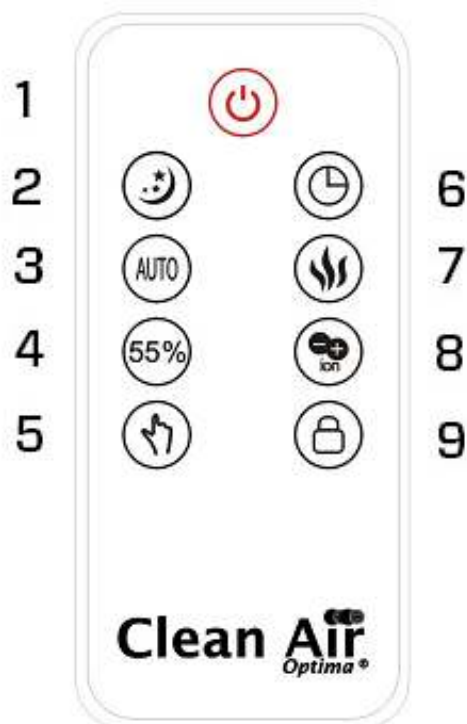
**Attention :** L'appareil ainsi que l'eau contenue dans la chambre de nébulisation (bassin) peuvent être très chauds. En soulevant l'appareil ou en retirant le réservoir d'eau juste après l'arrêt de la machine, vous risqueriez de vous brûler !

Veillez à ce que le réservoir d'eau soit toujours entièrement rempli.

## Télécommande

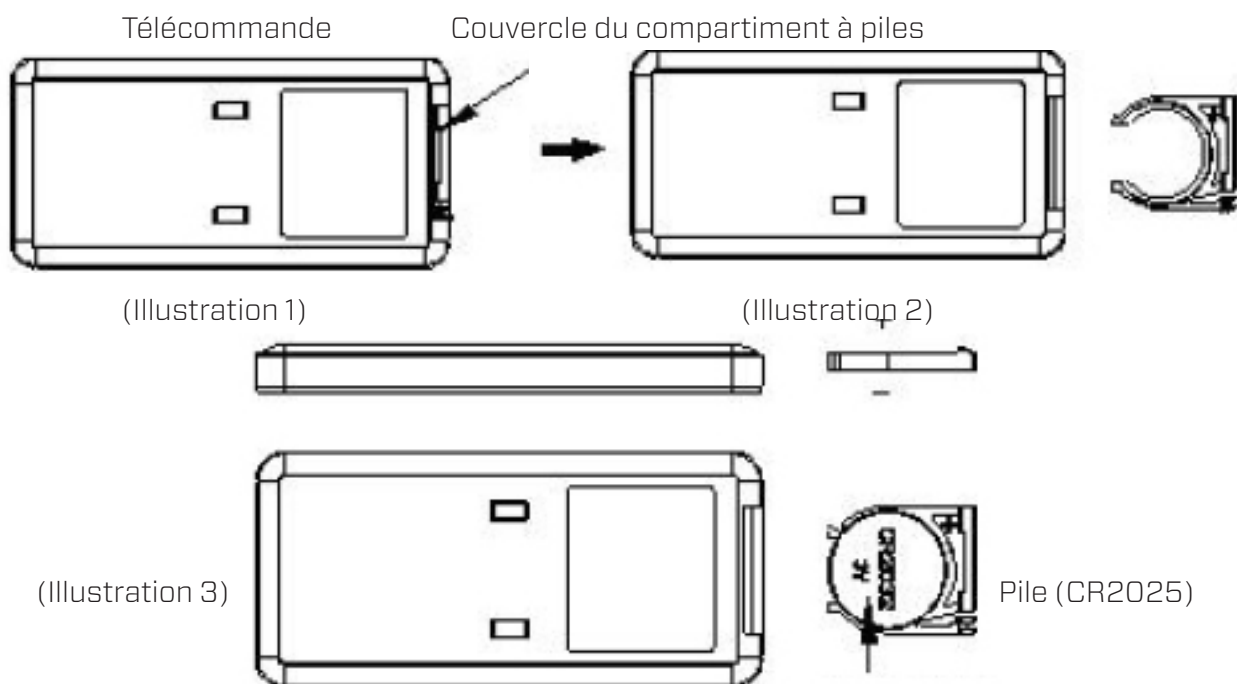
### Boutons de votre télécommande :

1. MARCHE / ARRÊT
2. Mode Veille
3. Mode Auto
4. Taux d'humidité souhaité
5. Min. / Max.
6. Minuterie
7. Chauffage
8. Ions négatifs
9. Sécurité enfant



### Remplacement des piles de la télécommande

1. Ouvrez le couvercle du compartiment à piles situé à l'arrière de la télécommande pour placer la pile. (Voir l'illustration 1).
2. Pour installer la pile : faites glisser vers la droite la « languette de sécurité » située au bas de la télécommande et retirez ensuite la pile. (Voir l'illustration 2). Insérez la pile avec la polarité correcte. (Voir l'illustration 3).
3. Remplacez le couvercle du compartiment à piles sur la télécommande.



## Préparation du filtre à eau W-01W du Clean Air Optima<sup>®</sup>

Le **filtre à eau W-01W** diminue la quantité de tartre présente dans l'eau et réduit l'émission indésirable de particules de tartre dans l'environnement ambiant. Ce filtre est efficace pendant une période allant de un à trois mois, en fonction de la dureté de l'eau. L'eau dure du robinet accélère la saturation du granulat, ce qui nécessite le remplacement précoce du **filtre à eau W-01W**.

1. Rincez le **filtre à eau W-01W** pendant 2 minutes sous l'eau froide du robinet.



2. Vissez le **filtre à eau W-01W** sur le couvercle du réservoir d'eau.

### Détermination de la dureté de l'eau :

1. Plongez la bandelette de test fournie dans un verre d'eau froide du robinet pendant 1 seconde.



2. Au bout d'une minute, lisez la bandelette de test de dureté de l'eau.
3. Référez-vous au tableau pour déterminer la durée prévue du **filtre à eau W-01W**.


■ ■ ■ ■	= 3 mois
■ ■ ■ ■	= 3 mois
■ ■ ■ ■	= 2 mois
■ ■ ■ ■	= 2 mois
■ ■ ■ ■	= 1 mois

Éliminez le **filtre à eau W-01W** saturé avec vos ordures ménagères classiques.

Le **filtre à eau W-01W** ne doit pas être utilisé plus longtemps que la durée indiquée. Vous pouvez commander le **filtre à eau W-01W** dans notre boutique en ligne à l'adresse [www.cleanairoptima.com](http://www.cleanairoptima.com).

## Remplacement du filtre à eau W-01W du Clean Air Optima<sup>®</sup>

Le **Clean Air Optima CA-606W** est équipé d'un mécanisme de surveillance de la durée de vie du filtre qui indique que le filtre à eau doit être remplacé au bout de 400 heures de fonctionnement. Pour signaler que le **filtre à eau W-01W** doit être remplacé, l'humidificateur émet un

témoin lumineux représentant un double zéro.  Réinitialisez la minuterie du filtre à eau en appuyant sur le bouton d'alimentation pendant environ 3 secondes. Si le voyant s'éteint, cela signifie que la minuterie a été réinitialisée avec succès.

## Placement/Remplacement du Silver Ion SI-01 Clean Air Optima<sup>®</sup>

Le **Silver Ion SI-01** utilise l'effet antimicrobien de l'argent, il empêche la croissance des bactéries et le développement d'odeurs dans l'eau. Le **Silver Ion SI-01** fonctionne même quand votre humidificateur est éteint, donc l'eau reste fraîche.

Remplacez le **Silver Ion SI-01** au début de la saison d'humidification ou remplacez le **Silver Ion SI-01** après une année d'utilisation.

### Remplacement du Silver Ion SI-01 :

1. Saisissez le réservoir d'eau par la poignée située sur le dessus et soulevez-le de la base.



2. Retirez le **Silver Ion SI-01** usagé.



3. Insérez le **Silver Ion SI-01** neuf.

Éliminez le **Silver Ion SI-01** avec vos ordures ménagères normales.

Le **Silver Ion SI-01** ne doit pas être utilisé plus longtemps que la durée indiquée.

Vous pouvez commander le **Silver Ion SI-01** dans notre boutique en ligne à l'adresse

[www.cleanairoptima.com](http://www.cleanairoptima.com).

## Aromathérapie

### Activation de la fonction aromatique :

- Retirez le plateau à arômes de son support.
- Versez 5 à 10 gouttes d'huile essentielle Clean Air Optima<sup>®</sup> sur l'éponge.
- Replacez le plateau à arômes dans son support.
- Lorsque vous allumez votre humidificateur d'air, la fonction aromatique est activée.
- Si vous souhaitez désactiver la fonction aromatique ou si vous prévoyez de ne pas utiliser l'appareil pendant une période prolongée, retirez l'éponge aromatique du compartiment et lavez-la avec un peu d'eau savonneuse. Laissez-la sécher complètement avant de la replacer dans le compartiment à arômes. L'éponge aromatique est réutilisable.



### Important

Afin d'obtenir les meilleurs résultats et de profiter au maximum de votre humidificateur d'air à ultrasons, nous vous conseillons de lire attentivement les instructions suivantes concernant l'utilisation des huiles essentielles dans l'humidificateur d'air à ultrasons CA-606W.

### Utilisation des huiles essentielles dans le CA-606W

Utilisez nos huiles essentielles de haute qualité et profitez de votre aromathérapie personnelle ! Une sensation olfactive à son plus haut niveau ! Vous trouverez dans notre assortiment des huiles essentielles de haute qualité et présentant de nombreuses senteurs différentes. Ces huiles s'adaptent parfaitement à l'humidificateur d'air à ultrasons CA-606W et ont été spécialement développées pour être utilisées avec ce modèle d'humidificateur à ultrasons :



Vous pouvez commander les **huiles essentielles** dans notre boutique en ligne à l'adresse [www.cleanairoptima.com](http://www.cleanairoptima.com).

### Avertissement !

L'utilisation d'autres huiles essentielles non conçues spécifiquement pour cet humidificateur d'air, ou d'autres additifs (par exemple : parfums et produits de purification de l'eau), risque d'endommager l'humidificateur et EST INTERDITE ! **Ne versez jamais d'autres huiles essentielles pures ou d'autres additifs dans le réservoir d'eau ou le bassin d'eau ! Même une faible quantité de ces produits peut endommager le plastique et provoquer des fissures.** Le matériau n'a pas été conçu pour l'utilisation d'additifs. Une goutte suffit pour endommager le réservoir ou le bassin d'eau, et empêcher l'appareil de fonctionner. Les appareils endommagés par des additifs sont exclus de la garantie.



## Nettoyage et entretien

Vous pouvez veiller à ce que votre humidificateur **Clean Air Optima<sup>®</sup> CA-606W** fonctionne sans problème pendant des années en suivant quelques procédures d'entretien simples. Si votre eau est dure et contient de fortes concentrations de calcium et d'autres minéraux, avec le temps, de la poussière blanche (calcaire) commencera à se déposer sur les différentes surfaces de la pièce. Un dépôt blanc (calcaire) se formera également dans le **bac d'eau**, sur le **transducteur/élément chauffant PTC** et à l'intérieur du réservoir d'eau. Les dépôts calcaires nuisent au bon fonctionnement du **transducteur/élément chauffant PTC** et à l'humidification hygiénique efficace de l'appareil.

### Nous recommandons ce qui suit

1. Nettoyez le **transducteur/élément chauffant PTC** et le **bac d'eau** une fois par semaine si vous utilisez l'appareil quotidiennement avec **Clean Air Optima<sup>®</sup> Nettoyant & Anticalcaire\***.
2. Videz l'eau restante du réservoir d'eau et remplissez-le d'eau fraîche dès qu'il doit être rempli.
3. Nettoyez l'appareil dans son intégralité et gardez toutes les pièces complètement sèches s'il n'est pas utilisé.



Spécialement conçu pour les humidificateurs d'air **Clean Air Optima<sup>®</sup>** :

- Non agressif
- Protège les éléments en plastique et en céramique de l'humidificateur
- Odeur neutre
- Nettoie et détartre rapidement et en profondeur
- Biodégradable

Vous pouvez commander le **Clean Air Optima<sup>®</sup> Nettoyant & Anticalcaire** dans notre boutique en ligne [www.cleanairoptima.com](http://www.cleanairoptima.com).

## Élément chauffant PTC



## Transducteur

### Nettoyage du transducteur/de l'élément chauffant PTC et du bac d'eau

Éteignez l'appareil.

Pendant le nettoyage et le détartrage, l'appareil ne peut être utilisé.

Des éclaboussures de **Clean Air Optima<sup>®</sup> Nettoyant & Anticalcaire** sur une surface de travail ou sur l'appareil s'essuient à l'aide d'un chiffon doux et humide.

1. Dosez 2 bouchons de **Clean Air Optima<sup>®</sup> Nettoyant & Anticalcaire** dans le bac d'eau (versez 1 bouchon sur la surface du **transducteur** et 1 bouchon sur l'**élément chauffant PTC** et laissez agir pendant 2 à 5 minutes).
2. Retirez soigneusement la couche minérale (de calcaire) de la surface du **transducteur** et de l'**élément chauffant PTC** à l'aide d'une petite brosse, d'un coton-tige ou d'une brosse à dents. Attention : n'utilisez jamais d'objets pointus ou durs pour nettoyer le transducteur/élément chauffant PTC.
3. Ajoutez ensuite de l'eau jusqu'au bord du **bac d'eau** et laissez reposer pendant 30 minutes au moins et 60 minutes tout au plus.
4. Rincez abondamment à l'eau le **transducteur/élément chauffant PTC** et le **bac d'eau**.
5. Si des traces de calcaire sont encore visibles, nous vous recommandons de répéter les opérations de nettoyage et de détartrage.
6. Nettoyez l'intérieur du **bac d'eau** à l'aide d'un détergent doux et rincez à l'eau claire.

Après le nettoyage et le détartrage, votre appareil est hygiéniquement propre, sans calcaire, sans bactéries, sans virus et immédiatement prêt à être réutilisé.

#### Attention :

Pour le nettoyage et le détartrage, l'appareil doit être éteint afin qu'aucun acide ne soit libéré dans l'air par le biais d'aérosols formés par brumisation ultrasonique.

## Dépannage

Vous trouverez ci-dessous un guide de dépannage destiné à vous aider à résoudre tous les problèmes que vous pourrez rencontrer lors de l'utilisation de l'humidificateur à ultrasons **Clean Air Optima<sup>®</sup> CA-606W**.

Problème	Cause possible	Solution
Absence de diffusion de brouillard.	La fiche d'alimentation n'est pas branchée. Le bouton MARCHÉ / ARRÊT n'a pas été activé. Videz le réservoir d'eau. Quantité d'eau insuffisante dans le réservoir.	Branchez l'appareil. Appuyez sur le bouton MARCHÉ / ARRÊT. Remplissez le réservoir avec de l'eau. Ajoutez de l'eau dans le réservoir.
Le brouillard présente une odeur anormale.	Il s'agit d'un nouvel appareil. Soit il y a de l'eau sale, soit de l'eau stagne depuis trop longtemps.	Retirez le réservoir d'eau, dévissez le couvercle et laissez le réservoir s'aérer dans un endroit frais pendant 12 heures. Nettoyez le réservoir d'eau et remplissez-le avec de l'eau propre.
Le débit du brouillard de pulvérisation est trop faible.	Entartrage minéral trop important dans le bassin d'eau et sur le transducteur. L'eau est trop sale ou est restée trop longtemps à l'intérieur du réservoir.	Nettoyez le bassin d'eau et le transducteur avec : <b>Clean Air Optima<sup>®</sup> Nettoyant &amp; Anticalcaire</b> . Nettoyez le réservoir d'eau et remplissez-le avec de l'eau propre.
L'appareil est bruyant.	Le réservoir d'eau n'est pas correctement positionné. Quantité d'eau insuffisante dans le réservoir. L'appareil se trouve sur une surface instable.	Positionnez correctement le réservoir d'eau sur sa base. Remplissez le réservoir d'eau. Placez l'appareil sur un support solide et plan.
Un brouillard de pulvérisation s'échappe de la zone située autour de la buse de production de brouillard.	Présence d'un espace libre entre la partie du caisson située autour de la buse et le sommet du réservoir d'eau.	Ôtez la buse à partir du haut du réservoir d'eau et nettoyez-la à l'aide d'un chiffon humide. Remettez le réservoir d'eau en place.

*Si votre eau est très dure (teneur en minéraux anormalement élevée), il se peut que l'humidificateur produise une poussière blanche. Il ne s'agit pas d'un dysfonctionnement. La solution consiste à remplacer plus souvent le filtre à eau W-01W ou à utiliser une eau plus douce, par exemple de l'eau distillée. Nous vous recommandons également d'utiliser des Clean Air Optima Air Washers ; plus d'infos dans notre boutique en ligne [www.cleanairoptima.com](http://www.cleanairoptima.com).*

## AVERTISSEMENT !

Si les solutions recommandées ci-dessus ne fonctionnent pas, veuillez contacter le support technique Clean Air Optima à l'aide du numéro de téléphone correspondant à votre région. N'essayez pas de démonter, de remonter ou de réparer l'appareil, car cela pourrait avoir pour effet d'annuler la garantie.

## Spécifications

Modèle	CA-606W
Pour des locaux jusqu'à	65 m <sup>2</sup> / 160 m <sup>3</sup> / 699 ft <sup>2</sup>
Tension nominale	220 V - 240 V, 50/60 Hz
Puissance nominale	25 W - Max. 105 W
Capacité d'humidification de l'air	Min. 120 ml/h - Max. 480 ml/h
Oxygène actif	< 0,05 ppm
Niveau sonore	Ventilateur silencieux < 25 dB(A)
Dimensions	230 x 150 x 370 mm
Poids	3,4 kg
Réservoir d'eau	5,5 l
Couleur	Blanc perle avec réservoir d'eau en verre fumé

Conforme à la réglementation de l'UE CE / WEEE / RoHS

**Renseignez-vous auprès de votre détaillant ou de votre municipalité afin d'obtenir des informations mises à jour sur l'évacuation de l'emballage et de l'appareil.**



## Service après-vente

### Certificat de garantie de l'humidificateur à ultrasons Clean Air Optima® CA-606W.

Date d'achat : .....  
Nom du client : .....  
Adresse : .....  
Téléphone : .....  
E-mail : .....  
Nom du revendeur : .....  
Adresse : .....

1. Veuillez remplir intégralement le présent certificat de garantie. Envoyez-le avec la facture et l'appareil, port payé et dans l'emballage d'origine, à votre distributeur. Assurez-vous d'inclure l'affranchissement de retour approprié pour le colis.

2. Veuillez joindre une brève description du dommage, de la panne ou du dysfonctionnement, ainsi que les circonstances à l'origine de ces problèmes.

L'humidificateur à ultrasons **Clean Air Optima® CA-606W** est soumis à des procédures d'essai strictes avant de quitter l'usine. Si, dans un délai de 2 ans à compter de la date d'achat, le produit ne fonctionne pas conformément aux spécifications en raison de défauts d'usine, l'acheteur a droit à la réparation ou au remplacement gratuit des pièces défectueuses sur simple présentation de cette garantie (à condition que le dysfonctionnement ou les dommages à l'appareil et/ou à ses éléments soient survenus dans des conditions normales de fonctionnement). Ce qui est couvert par la garantie : Toutes les pièces défectueuses, en raison d'un défaut de matériel ou de fabrication. Durée : deux ans à compter de la date d'achat. Ce que nous ferons : Réparer ou remplacer toute pièce défectueuse.

#### Autres conditions

Les dispositions de la présente garantie remplacent toute autre garantie écrite, expresse ou implicite, écrite ou orale, y compris toute garantie de qualité marchande ou d'adaptation à un usage particulier. La responsabilité maximale du fabricant ne peut pas excéder le prix d'achat réel que vous avez payé pour le produit. En aucun cas, le fabricant ne pourra être tenu responsable de dommages spéciaux, accidentels, conséquents ou indirects. Cette garantie ne couvre pas les défaillances résultant d'une utilisation ou d'un entretien inapproprié ou déraisonnable, d'un montage incorrect, d'un accident ou de catastrophes naturelles, d'un emballage inadéquat, ou d'une falsification, altération ou modification non autorisée, tels que déterminés à notre seule discrétion. La présente garantie est nulle si l'étiquette portant le numéro de série a été retirée ou effacée.

**Ne mettez jamais d'autres huiles essentielles pures ou d'autres additifs dans le réservoir d'eau ou le bassin d'eau ! Même une faible quantité de ces produits peut endommager le plastique et provoquer des fissures.**

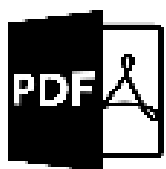
# Merci de votre lecture !



Faites-nous part de vos commentaires sur l'humidificateur à ultrasons Clean Air Optima® CA-606W sur : [www.cleanairoptima.com](http://www.cleanairoptima.com)



Pour les questions fréquemment posées à propos du CA-606W, accédez à : [www.cleanairoptima.com](http://www.cleanairoptima.com) et recherchez le CA-606W.



Télécharger le manuel d'instructions au format PDF sur : [www.cleanairoptima.com/info/manuals](http://www.cleanairoptima.com/info/manuals)



Regarder toutes les vidéos d'animation des produits Clean Air Optima® sur : [www.youtube.com](http://www.youtube.com)

**Clean Air Optima International B.V.** | David Ricardostraat 9-7 / 9-9 | 7559 SH Hengelo (ov)  
Pays-Bas | Téléphone : +31 (0) 74 - 2670145

**Clean Air Optima Germany GmbH** | Enschedestraße 14 | 48529 Nordhorn | Allemagne  
Téléphone : +49 (0) 5921 879-121

**E-mail :** [info@cleanairoptima.com](mailto:info@cleanairoptima.com)

**Site Web :** [www.cleanairoptima.com](http://www.cleanairoptima.com)

## **Español**

**Gracias por la compra del humidificador ultrasónico CA-606W de Clean Air Optima®.**

Este eficiente y eficaz producto le proporcionará muchos años de aire interior saludable.

En estas instrucciones se explican las medidas de seguridad que debe respetar durante su funcionamiento, las cuales han sido concebidas para evitar daños personales y al propio aparato.

### **Descripción del aparato**

El aparato consta de los siguientes componentes principales:

1. Boquilla de vaporización
2. Asa
3. Depósito de agua
4. Flotador
5. Caja de aromas
6. Cable de alimentación
7. Elemento calentador PTC
8. Tapa y filtro del depósito de agua

## Advertencias de seguridad

Siga estas instrucciones de seguridad siempre que utilice el aparato. Siga estos pasos para limitar al máximo el riesgo de daños personales a causa de, por ejemplo, descargas eléctricas o incendios.

1. Solo para uso en interiores. No utilizar ni guardar al aire libre.
2. Use el voltaje adecuado: CC 220 V - 240 V, 50/60 Hz
3. El transductor ultrasónico interno es muy sensible. No lo toque directamente con los dedos ni lo arañe con instrumentos metálicos, ya que obstaculizará la salida de la vaporización. Cuando limpie esta zona, utilice un cepillo de limpieza pequeño, un bastoncillo de algodón o un cepillo de dientes. No utilice agua caliente; podría dañar las piezas del sistema de vaporización.
4. El aparato no debe ser utilizado por niños o personas con discapacidad física, sensorial o mental, salvo que estén bajo la supervisión de una persona responsable de su seguridad.
5. No deje que los niños se acerquen al aparato, a no ser que estén vigilados continuamente.
6. Por motivos de seguridad, coloque el aparato en una posición horizontal y estable. No lo mueva mientras esté en uso.
7. Para evitar interferencias y daños a otros dispositivos electrónicos, el aparato debe colocarse a una distancia mínima de 1 metro de otros aparatos, como ordenadores, televisores, radios u otros aparatos electrónicos.
8. No utilice el aparato si observa algún daño en el cable eléctrico o el propio aparato. En caso de daños, no repare el aparato por sus propios medios. No mueva el aparato tirando del cable. Si el cable de alimentación ha sufrido algún daño, para evitar descargas eléctricas o incendios debe ser sustituido por un técnico autorizado.
9. Las reparaciones solo pueden ser llevadas a cabo por personal técnico autorizado. Para evitar descargas eléctricas o incendios, no intente reparar el aparato por sus propios medios.
10. Cuando no vaya a utilizar el aparato o vaya a limpiar componentes internos o externos, desenchufe siempre el cable de alimentación.
11. Retire el depósito de agua antes de mover el aparato.
12. Utilice únicamente los cables de corriente suministrados.
13. No utilice el aparato en habitaciones donde se guarden líquidos o gases inflamables, cerca de fuentes de calor o en lugares especialmente húmedos, como cuartos de baño, duchas o piscinas.
14. No introduzca objetos en el aparato; podría provocar averías.
15. Nunca extraiga ni sustituya los componentes internos del aparato.
16. No coloque el aparato en lugares expuestos directamente a la luz del sol, para evitar que se decolore.
17. Nunca sumerja el aparato en agua o cualquier otro líquido.
18. No toque el cable de alimentación con las manos mojadas.
19. No se acerque demasiado al vapor caliente.
20. Limpie y seque el aparato antes de guardarlo (no deje agua en el interior). Guárdelo siempre en un lugar fresco y seco lejos del alcance de los niños.
21. No limpie el depósito de agua cuando esta esté caliente.
22. Utilice, mantenga y limpie el aparato siguiendo las instrucciones del manual.



## Instrucciones de uso

Antes de empezar, saque el CA-606W de Clean Air Optima<sup>®</sup> de su caja y deje que se adapte a la temperatura ambiente durante al menos 30 minutos, especialmente si el aparato está frío por la temperatura exterior. Coloque el aparato sobre una superficie sólida, nivelada y no sensible al agua, a unos 60 cm del suelo y al menos a 20 cm de la pared.

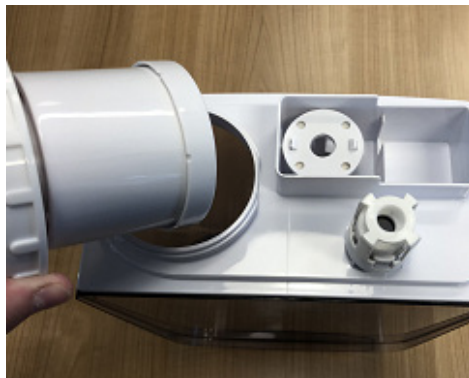
El CA-606W está diseñado para funcionar a temperaturas de entre 5 y -40 °C, y a una humedad relativa inferior al 80 %.

Para empezar, coja el depósito de agua por el **asa** de la parte superior y levántelo de la base. A continuación, dele la vuelta al depósito, desatornillelo, extráigalo y quite la **tapa y el filtro**.

Asa



Tapa y filtro del depósito de agua



Grifo de llenado



A continuación, coloque el depósito de agua debajo del **grifo** de llenado, cogiéndolo del asa situada debajo del mismo. Llene el depósito con agua del grifo (o con agua limpia a una temperatura inferior a 40 °C), y vuelva a colocar la tapa y el filtro. Vuelva a darle la vuelta al depósito hasta que quede en el lado derecho, hacia arriba. Asegúrese de que la cuenca está limpia y, a continuación, vuelva a colocar cuidadosamente el depósito de agua en la parte inferior de la estructura.

Espere unos segundos hasta que la tapa del depósito empiece a llenar de agua la cuenca. Oirá un sonido de burbujas cuando el aire entre en el depósito. Enchufe el aparato a una toma de corriente adecuada; sonará una señal para indicar que el aparato está en modo de espera. Al encenderse o apagarse el humidificador, aparecerán los valores de la humedad.



## Botón de encendido/apagado:

Pulse el **Botón de encendido** para poner en marcha el humidificador. El aparato empezará a funcionar en modo manual, y liberará vapor frío de forma constante con el nivel de intensidad medio.



## Botón Manual:

El **Botón Manual** cambia el nivel de vaporización (bajo, medio, alto). Los niveles de vaporización son tres.



## Sistema de seguridad para niños:

El sistema de seguridad para niños impide el uso no deseado del aparato.

El **sistema de seguridad para niños** se activa y desactiva pulsando el **Botón Manual** durante unos 3 segundos.

Si el sistema de seguridad para niños está activado, en la pantalla aparece un icono de un candado rojo.



## Botón de Humedad:

Pulsando repetidamente el **Botón de Humedad**, se selecciona el nivel de humedad deseado (del 40 % al 80 % en incrementos del 5 %). Para dejar seleccionado el nivel de humedad, simplemente deje de pulsar el botón.

Cuando el nivel de humedad de la habitación alcance el nivel de humedad programado, el aparato pasa a un estado de reposo automático y deja de emitir vapor después. Cuando el nivel de humedad real de la habitación desciende por debajo del nivel de humedad programado, el humidificador vuelve a emitir vapor.



## Botón de Modo automático:

Al activar el modo automático se selecciona automáticamente el nivel de humedad relativa y se mantiene entre el 55 % y el 68 %.

El **Modo automático** se activa y desactiva pulsando el **Botón de Humedad** durante unos 3 segundos.



## Botón de iones negativos:

El **Botón de iones negativos** activa el generador de iones negativos con una capacidad total de más de 3 000 000 iones negativos/cm<sup>3</sup>, que se extienden por toda la habitación y neutralizan los contaminantes y los olores. Los iones negativos se adhieren a las partículas de polvo, microorganismos y otras partículas perjudiciales del aire, y se conectan entre sí. De esta manera, las partículas se vuelven más pesadas que el aire y caen al suelo, de modo que ya no pueden inhalarse.

Los iones negativos se encuentran sobre todo en el bosque, en las montañas y en el mar. Estos iones aseguran un aire fresco y saludable.



## Botón de temporizador:

Con el **Botón del temporizador** se ajusta el temporizador. Esta función determina el número de horas de funcionamiento del humidificador. Puede ajustar el temporizador simplemente pulsándolo una vez por cada hora que desee hacer funcionar el aparato. El temporizador puede ajustarse entre 1 y 12 horas. A medida que pasa el tiempo, las horas van disminuyendo hasta llegar a 00:00, momento en el que se apaga el aparato.



## Modo de Reposo:

Cuando se activa el modo de reposo, la pantalla se apaga después de 10 segundos.

Solo quedará encendida la luz del modo de reposo.

El **modo de reposo** se activa y desactiva pulsando el **Botón de Temporizador** durante unos 3 segundos.



## Botón de calentador:

El **Botón de calentador** activa la función de vaporización caliente, mostrándose en la pantalla LED con tres líneas verticales onduladas. El agua se calienta en la cuenca, mediante un elemento calentador PTC, a más de 65 grados, para eliminar las bacterias efectivas (legionela). El calentamiento del agua hace que la vaporización sea más fina, para una humidificación más rápida y eficiente.

## Apagado automático en caso de depósito de agua vacío



Si el depósito de agua está vacío, suena una señal acústica triple. El símbolo correspondiente se encenderá en la pantalla, y los indicadores restantes se apagarán. El aparato dejará de humidificar automáticamente. En este caso, apague el aparato con el botón de encendido/apagado y deje que se enfríe antes de volver a añadir agua al depósito.

**Precaución:** El aparato y el agua de la cámara de vaporización (cuenca) pueden estar muy calientes. ¡Tenga cuidado de no quemarse con el agua caliente al levantar el aparato o retirar el depósito!

El depósito de agua debe estar siempre completamente lleno.

## Mando a distancia

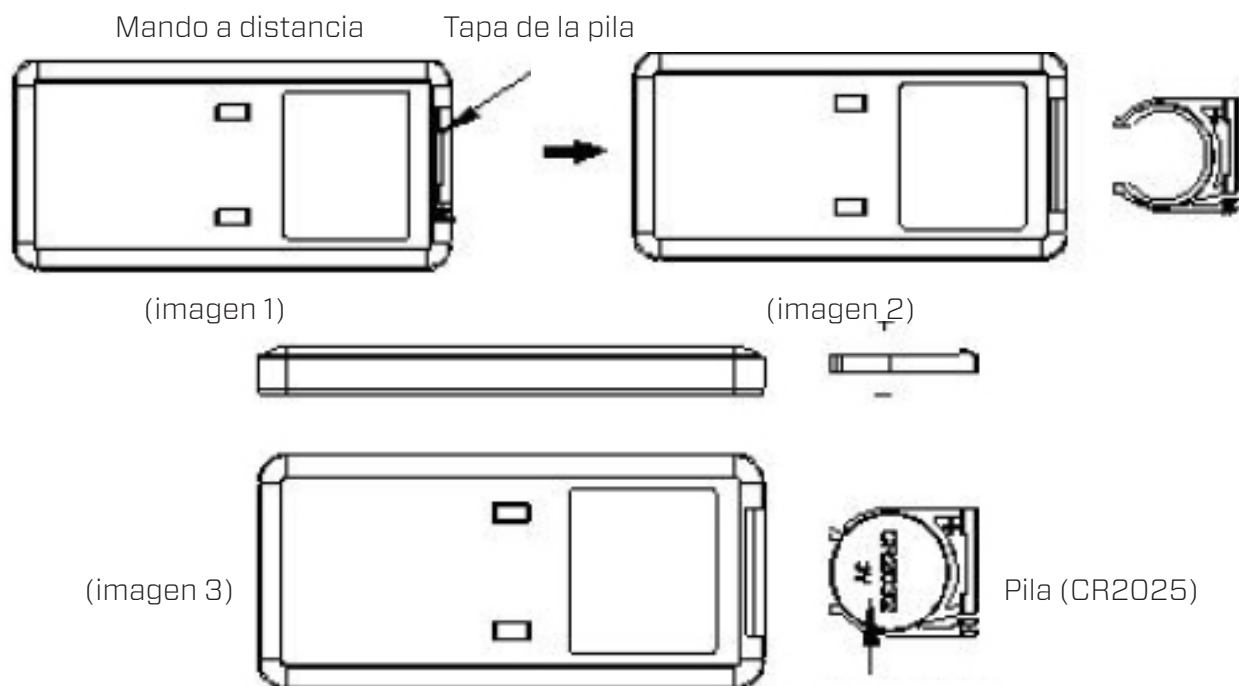
### Botones del mando a distancia:

1. ENCENDIDO/APAGADO
2. Modo de reposo
3. Modo automático
4. Humedad deseada
5. Mín./Máx.
6. Temporizador
7. Calentador
8. Iones negativos
9. Sistema de seguridad para niños



### Sustitución de la pila del mando a distancia

1. Abra la tapa de la parte posterior del mando a distancia para colocar la pila (imagen 1).
2. Para colocar la pila, en la parte inferior del mando encontrará una "lengüeta de seguridad", que deberá desplazar hacia la derecha y a continuación sacar el soporte de la pila (imagen 2). Introduzca la pila con la polaridad en la posición correcta (imagen 3).
3. Vuelva a colocar la tapa del compartimento de la pila.



## Preparación del filtro de agua W-01W Clean Air Optima®

El **filtro de agua W-01W** reduce la cal del agua y la difusión indeseable de partículas de cal por la habitación. El filtro es efectivo entre uno y tres meses, dependiendo de la dureza del agua. El agua dura del grifo acelera la saturación del granulado más rápidamente, por lo que el **filtro de agua W-01W** debe reemplazarse con mayor frecuencia.

1. Enjuague el **filtro de agua W-01W** durante 2 minutos bajo el agua fría del grifo.



2. Atornille el **filtro de agua W-01W** a la tapa del depósito de agua.

### Determinación de la dureza del agua:

1. Introduzca la tira de pruebas en un vaso de agua fría del grifo durante 1 segundo.



2. Observe la dureza del agua en la tira de pruebas un minuto después.
3. Consulte la tabla para determinar la duración prevista del **filtro de agua W-01W**.

■ ■ ■ ■	= 3 meses
■ ■ ■ ■	= 3 meses
■ ■ ■ ■	= 2 meses
■ ■ ■ ■	= 2 meses
■ ■ ■ ■	= 1 mes


Tire el **filtro de agua W-01W** saturado en la basura doméstica normal.

No utilice el **filtro W-01W** durante más tiempo del especificado.

El **filtro de agua W-01W** puede adquirirse en nuestra tienda online, en [www.cleanairoptima.com](http://www.cleanairoptima.com)

## Recolocación del filtro de agua W-01W Clean Air Optima<sup>®</sup>

El **Clean Air Optima CA-606W** está equipado con un mecanismo de supervisión de la duración del filtro que avisa cuando es necesario cambiar el filtro de agua después de 400 horas de utilización. Para avisar de que es necesario cambiar el **filtro de agua W-01W**, el humidificador

muestra un doble cero  en el indicador. Reinicie el temporizador del filtro de agua pulsando y manteniendo pulsado el botón de encendido/apagado durante unos 3 segundos. Si el temporizador se ha reiniciado correctamente, el indicador se apaga.

## Colocación/Recolocación del Silver Ion SI-01 Clean Air Optima<sup>®</sup>

El **Silver Ion SI-01** utiliza el efecto antimicrobiano de la plata y previene la proliferación de bacterias y los olores en el agua. El **Silver Ion SI-01** funciona incluso con el humidificador apagado, por lo que el agua se mantiene limpia.

Sustituya el **Silver Ion SI-01** al comienzo de la temporada del humidificador o después de un año de uso.

### Sustitución del Silver Ion SI-01:

1. Levante el depósito de agua de la base por el asa de la parte superior.



2. Saque el **Silver Ion SI-01** usado.



3. Introduzca el nuevo **Silver Ion SI-01**.

Tire el **Silver Ion SI-01** en la basura doméstica normal.

No utilice el **Silver Ion SI-01** durante más tiempo del especificado.

El **Silver Ion SI-01** puede adquirirse en nuestra tienda online, en [www.cleanairoptima.com](http://www.cleanairoptima.com)

## Aromaterapia

### Activación de la función de aromas:

- Retire la bandeja de aromas del soporte.
- Impregne la esponja con unas 5-10 gotas de aceite esencial Clean Air Optima<sup>®</sup>.
- Vuelva a colocar la bandeja de aromas en el soporte.
- Al encender el humidificador de aire, se activa la función de aromas.
- Si desea desactivar la función de aromas, o si no va a utilizar el aparato durante un periodo de tiempo considerable, saque la esponja aromática del compartimento y lávela con un poco de agua y jabón suave. Deje que se seque completamente antes de volver a colocarla en el compartimento de aromas. En principio, la esponja aromática es reutilizable.



### Importante

Para obtener los mejores resultados y disfrutar al máximo de su humidificador ultrasónico de aire, le aconsejamos que lea atentamente las siguientes instrucciones sobre el uso de los aceites esenciales en el humidificador CA-606W.

### Uso de aceites esenciales en el CA-606W

¡Utilice nuestros aceites esenciales de alta calidad, disfrute de su propia aromaterapia y de una sensación aromática al máximo!

En nuestro surtido encontrará aceites esenciales de alta calidad con una gran variedad de aromas diferentes, perfectamente adaptados al humidificador ultrasónico CA-606W y especialmente elaborados para su uso con este aparato:



Nuestros **aceites esenciales** están disponibles en nuestra tienda online, en [www.cleanairoptima.com](http://www.cleanairoptima.com)

### ¡Atención!

El uso de otros aceites esenciales no elaborados para este humidificador de aire u otros aditivos (fragancias y productos de purificación de agua, etc.) puede dañar el humidificador. **¡NO los utilice! ¡Nunca utilice otros aceites esenciales puros u otros aditivos en el depósito de agua ni en la cuenca! Cualquier cantidad, por pequeña que sea, puede dañar el plástico y producir grietas.**

El material no está concebido para el uso de aditivos. Una simple gota es suficiente para dañar el depósito y la cuenca de agua e inutilizar el aparato. Los aparatos dañados por aditivos no están cubiertos por la garantía.

## Limpeza y mantenimiento

Con un sencillo procedimiento de mantenimiento garantizará que su humidificador de aire **Clean Air Optima<sup>®</sup> CA-606W** funcione sin problemas durante muchos años. Si el agua que usa es dura, contiene elevadas concentraciones de calcio y otros minerales, con el tiempo se irá depositando polvo blanco (cal) en las diferentes superficies de la estancia. Además, se creará una sustancia blanca (cal) en la **cuenca del agua**, en el **transductor / elemento calentador PTC** y en la superficie interior del depósito de agua. Esta película de cal afectará al funcionamiento del **transductor / elemento calentador PTC** y evitará una humidificación higiénica eficiente del aparato.

### Por eso recomendamos

1. Si utiliza el aparato a diario, limpie el **transductor / elemento calentador PTC** y la **cuenca de agua** una vez a la semana con el **limpiador y descalcificador Clean Air Optima<sup>®</sup>**.
2. Cuando necesite rellenar el depósito de agua, vacíelo antes por completo y llénelo con agua limpia.
3. Limpie todo el aparato y asegúrese de que todos los componentes están completamente secos cuando no lo utilice.



Especialmente desarrollado para los humidificadores **Clean Air Optima<sup>®</sup>**:

- No agresivo
- Protege los plásticos y materiales cerámicos del humidificador
- Olor neutro
- Limpia y descalcifica rápidamente y en profundidad
- biodegradable

Puede comprar el **limpiador y descalcificador Clean Air Optima<sup>®</sup>** en nuestra tienda en línea [www.cleanairoptima.com](http://www.cleanairoptima.com).



## Elemento calentador PTC



## Transductor

### Limpieza del transductor / elemento calentador PTC y de la cuenca de agua

Apague el aparato.

No utilice el aparato durante la limpieza y descalcificación.

Vierta **limpiador y descalcificador Clean Air Optima<sup>®</sup>** en la superficie de trabajo o en la parte exterior del aparato y límpielo con un paño suave y húmedo.

1. Dosifique 2 tapones de **limpiador y descalcificador Clean Air Optima<sup>®</sup>** en la cuenca (1 tapón en la superficie del **transductor** y 1 tapón en el **elemento calentador PTC** y déjelo actuar 2 – 5 minutos.
2. Limpie suavemente la película mineral (de calcio) de la superficie del **transductor** y el **elemento calentador PTC** con un cepillo pequeño, un bastoncillo de algodón o un cepillo de dientes.  
Atención: no utilice nunca objetos afilados o duros para limpiar el transductor / elemento calentador PTC.
3. A continuación, añada agua hasta el borde de la **cuenca** y espere como mínimo 30 minutos y como máximo 60.
4. Enjuague bien el **transductor / elemento calentador PTC** y la **cuenca** con agua limpia.
5. Si todavía observa rastros de película, recomendamos repetir el proceso de limpieza y descalcificación.
6. Limpie la parte interior del **depósito de agua** con un detergente suave y enjuáguelo con agua limpia.

Tras proceder a la limpieza y descalcificación su aparato estará higiénicamente limpio, sin cal, libre de bacterias y virus e inmediatamente listo para su uso.

#### Atención:

Para limpiar y descalcificar, el aparato debe estar desconectado para evitar la emisión de ácido por aerosoles en la atmósfera mediante la vaporización ultrasónica.

## Solución de problemas

A continuación encontrará una guía de posibles problemas y soluciones para ayudarle a resolver cualquier incidencia con su **humidificador ultrasónico CA-606W Clean Air Optima<sup>®</sup>**.

Problema	Causa posible	Solución
No hay vaporización.	El aparato no está enchufado. No se ha pulsado el botón de encendido/apagado. El depósito de agua está vacío. No hay suficiente agua en el depósito.	Enchufe el aparato. Apriete el botón. Llene el depósito de agua. Añada más agua al depósito.
El vapor tiene un olor extraño.	El aparato es nuevo. El depósito tiene agua sucia o el agua ha estado estancada durante demasiado tiempo.	Retire el depósito de agua, desenrosque la tapa y deje que se ventile en un lugar fresco durante 12 horas. Limpie el depósito y vuelva a llenarlo con agua limpia.
La vaporización es demasiado baja.	El depósito y el transductor contienen demasiada cal. El agua está demasiado sucia o se ha mantenido demasiado tiempo en el depósito.	Limpie el depósito de agua y el transductor con: <b>Limpiador y descalcificador Clean Air Optima<sup>®</sup></b> . Limpie el depósito y vuelva a llenarlo con agua limpia.
Ruido en el aparato.	El depósito de agua no está bien colocado. No hay suficiente agua en el depósito. El aparato no está colocado en una superficie estable.	Coloque correctamente el depósito de agua en la base. Vuelva a llenar el depósito de agua. Coloque el aparato sobre una superficie sólida y estable.
El vapor sale por los lados de la boquilla.	Hay huecos entre la carcasa de los lados de la boquilla y la parte superior del depósito de agua.	Retire la boquilla de la parte superior del depósito, límpiela con un paño húmedo y, a continuación, vuelva a colocarla en el depósito.

*Si su agua es muy dura (contiene niveles anormalmente altos de minerales) el humidificador puede generar polvo blanco. Esto no supone ningún defecto. La solución sería reemplazar el filtro de agua W-01W con mayor frecuencia o utilizar agua más blanda, agua destilada por ejemplo. Asimismo, le recomendamos los purificadores de aire Clean Air Optima; más información en nuestra tienda online [www.cleanairoptima.com](http://www.cleanairoptima.com)*

## ¡ATENCIÓN!

Si las soluciones propuestas no resuelven el problema, póngase en contacto con el servicio técnico de Clean Air Optima llamando al número de teléfono de su región. No intente desmontar, volver a montar o reparar el aparato, ya que la garantía quedaría invalidada.

## Especificaciones

Modelo	CA-606W
Para habitaciones de hasta	65 m <sup>2</sup> / 160 m <sup>3</sup> / 699 pies <sup>2</sup>
Tensión nominal	220 V - 240 V, 50/60 Hz
Potencia nominal	25 W - Máx. 105 W
Capacidad de humidificación del aire	Mín. 120 ml/h - Máx. 480 ml/h
Oxígeno activo	<0,05 ppm
Nivel de ruido	Ventilador silencioso <25 dB (A)
Dimensiones	230 x 150 x 370 mm
Peso	3,4 kg
Depósito de agua	5,5 L
Color	Blanco perla con depósito de agua de cristal ahumado
Conformidad con reglamentación UE	CE / WEEE / RoHS

**Infórmese en su establecimiento o en su municipio sobre cómo desechar este aparato y su embalaje.**



## Servicio

### Certificado de garantía del humidificador ultrasónico CA-606W Clean Air Optima<sup>®</sup>.

Fecha de compra: .....  
Nombre del cliente: .....  
Dirección: .....  
Teléfono: .....  
Correo electrónico: .....  
Nombre del vendedor: .....  
Dirección: .....

1. Rellene todos los campos de datos de este certificado de garantía. Envíelo a su distribuidor (junto con la factura y el aparato) con franqueo pagado y en el embalaje original. No olvide incluir el franqueo de retorno pertinente para el paquete.
2. Incluya una descripción breve de los daños, la anomalía o el fallo en cuestión, así como las circunstancias en las que se produjeron estos problemas.

El **humidificador ultrasónico CA-606W de Clean Air Optima<sup>®</sup>** se somete a rigurosos procedimientos de prueba antes de salir de fábrica. Si dentro del plazo de dos años desde la fecha de compra, el producto no funciona conforme a las especificaciones, por defectos de fábrica, el comprador tiene derecho a una reparación gratuita o a la sustitución de las piezas con la presentación de esta garantía (siempre que el defecto de funcionamiento o los daños del aparato o sus piezas se hayan producido haciendo un uso normal del mismo). Cobertura de la garantía: todas las piezas con defectos de materiales o mano de obra. Duración: dos años a partir de la fecha de compra. Nuestra tarea: reparar o sustituir las piezas defectuosas.

#### Otras condiciones

Las disposiciones de esta garantía sustituyen a cualquier otra garantía escrita, ya sea explícita o implícita, por escrito u oral, incluida cualquier garantía de comerciabilidad o idoneidad para un propósito concreto. El importe máximo en concepto de responsabilidad del fabricante no será en ningún caso superior al importe pagado por el producto. En ningún caso el fabricante podrá hacerse responsable de daños especiales, incidentales, resultantes o indirectos. Esta garantía no cubre los defectos resultantes del uso o mantenimiento incorrecto o poco razonable, montaje defectuoso, accidente, catástrofes naturales, embalaje incorrecto o manipulación, alteración o modificación no autorizada, según nuestro criterio exclusivo. Esta garantía quedará anulada si se despega o altera la etiqueta del número de serie.

**¡Nunca utilice otros aceites esenciales puros u otros aditivos en el depósito de agua ni en la cuenca! Cualquier cantidad, por pequeña que sea, puede dañar el plástico y causar grietas.**

# ¡Gracias por su atención!



Comparta su opinión sobre el humidificador ultrasónico CA-606W de Clean Air Optima® en [www.cleanoptima.com](http://www.cleanoptima.com).



Consulte las preguntas frecuentes sobre el CA-606W en [www.cleanairoptima.com](http://www.cleanairoptima.com) (busque CA-606W).



Descargue el manual de instrucciones en PDF en [www.cleanairoptima.com/info/manuals](http://www.cleanairoptima.com/info/manuals)



Puede ver todos los videos de los productos Clean Air Optima® en [www.youtube.com](http://www.youtube.com).

**Clean Air Optima International B.V.** | David Ricardostraat 9-7 / 9-9 | 7559 SH Hengelo (ov)  
Países Bajos | Teléfono: +31 (0) 74 - 2670145

**Clean Air Optima Germany GmbH** | Enschedestraße 14 | 48529 Nordhorn | Alemania  
Teléfono: +49 (0) 5921 879-121

**E-mail:** [info@cleanairoptima.com](mailto:info@cleanairoptima.com)

**Internet:** [www.cleanairoptima.com](http://www.cleanairoptima.com)

## Română

**Vă mulțumim pentru că ați achiziționat umidificatorul cu ultrasunete Clean Air Optima<sup>®</sup> CA-606W.**

Vă dorim să vă bucurați de mulți ani de aer interior sănătos cu acest produs eficient și eficace.

Aceste instrucțiuni descriu măsurile de precauție care trebuie respectate pe durata funcționării. Acestea sunt menite să prevină răniile și să evite deteriorarea dispozitivului.

### Descrierea dispozitivului

Dispozitivul constă din următoarele componente principale:

1. Duză de pulverizare
2. Mâner
3. Rezervor de apă
4. Plutitor
5. Cutie pentru aromaterapie
6. Cablu de alimentare
7. Element de încălzire PTC
8. Capac și filtru rezervor de apă

## Avertismente privind siguranța

Acest dispozitiv poate fi utilizat numai în conformitate cu aceste instrucțiuni de siguranță. Efectuați pașii următori pentru a reduce riscul de vătămare corporală provocată, de exemplu, de șocuri electrice sau incendiu.

1. Numai pentru utilizare în interior. Nu-l utilizați sau depozitați în exterior.
2. Utilizați tensiunea corespunzătoare: c.a. 220 V - 240 V, 50/60 Hz
3. Traductorul intern ultrasonic este extrem de sensibil. Nu-l atingeți cu degetele goale și nu-l răzuiți cu unelte metalice, în caz contrar producția de ceață se va diminua. Când curățați această zonă, folosiți o perie de curățat mică, un tampon de bumbac sau o periuță de dinți. Nu utilizați apă fierbinte, deoarece aceasta poate deteriora piesele implicate în procesul de pulverizare.
4. Dispozitivul nu este destinat utilizării de către copii sau persoane cu capacități fizice, senzoriale sau mentale reduse, decât dacă acestea sunt supravegheate de o persoană responsabilă pentru siguranța acestora.
5. Copiii nu trebuie lăsați să se apropie de dispozitiv decât sub supraveghere continuă.
6. Pentru a utiliza dispozitivul în siguranță, așezați-l într-o poziție orizontală stabilă. Nu mișcați dispozitivul în timpul utilizării.
7. Pentru a evita interferențele și deteriorarea altor dispozitive electronice, acest aparat trebuie amplasat la o distanță de cel puțin 1 metru de calculatoare, televizoare, radiouri sau alte echipamente electronice.
8. Nu utilizați dispozitivul atunci când există deteriorări vizibile ale cablului electric sau ale dispozitivului. Nu reparați dvs. înșivă dispozitivul în caz de deteriorare. Nu manevrați dispozitivul trăgându-l de cablu. În cazul în care cablul de alimentare este deteriorat, acesta trebuie înlocuit de către o persoană autorizată pentru efectuarea reparațiilor, pentru a preveni un șoc electric sau incendiu.
9. Reparațiile pot fi efectuate numai de către personalul autorizat. Nu încercați să reparați dvs. înșivă dispozitivul, pentru a preveni electrocutarea sau incendiul.
10. Scoateți întotdeauna fișa din priză atunci când dispozitivul nu este utilizat sau când curățați părțile interne sau externe ale acestuia.
11. Scoateți rezervorul de apă înainte de a muta dispozitivul.
12. Utilizați numai cablurile furnizate.
13. Nu utilizați dispozitivul în încăperi în care sunt depozitate lichide sau gaze inflamabile sau în apropierea surselor de căldură sau în încăperi deosebit de umede, cum ar fi în baie, în cabina de duș sau la piscină.
14. Pentru a preveni defecțiunile, nu introduceți niciodată obiecte străine în dispozitiv.
15. Nu demontați și nici nu înlocuiți componentele interioare ale dispozitivului.
16. Nu așezați dispozitivul în lumina directă a soarelui, pentru că acesta se poate decolora.
17. Nu scufundați niciodată aparatul în apă sau alte lichide.
18. Nu atingeți cablul de alimentare cu mâinile ude.
19. Nu atingeți de aproape ceața caldă.
20. Curățați și uscați dispozitivul înainte de depozitare (eliminați inclusiv toată apa din interiorul dispozitivului). Depozitați aparatul într-un loc răcoros și uscat, departe de îndemâna copiilor.
21. Nu curățați cuva cu apă atunci când apa este încă fierbinte.
22. Utilizați, întrețineți și curățați dispozitivul conform descrierii din acest manual.

## Instrucțiuni de utilizare

Înainte de a începe, scoateți dispozitivul Clean Air Optima<sup>®</sup> CA-606W din cutie și lăsați-l să se obișnuiască cu temperatura camerei timp de cel puțin 30 de minute, mai ales dacă aparatul este rece. Așezați dispozitivul pe o suprafață solidă, netedă și rezistentă la apă, la aprox. 60 cm de podea și la cel puțin 20 cm de perete.

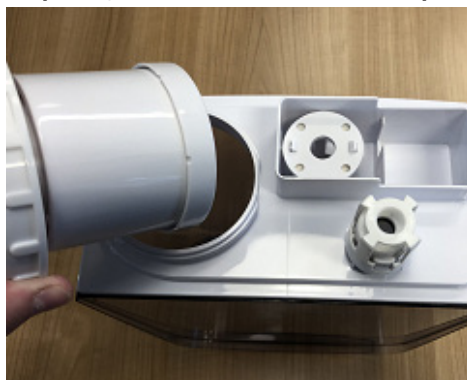
Dispozitivul CA-606 este proiectat să funcționeze la temperaturi cuprinse între 5 -40 °C și umiditate relativă mai mică de 80 %.

Pentru a începe, apăsați rezervorul de apă de **mânerul** din partea de sus și ridicați de la bază. În continuare, întoarceți rezervorul pe partea cealaltă, deșurubați și scoateți **capacul și filtrul** rezervorului de apă.

Mâner



Capac și filtru rezervor de apă



Robinet pentru umplere



Apoi puneți rezervorul de apă sub **robinet** pentru umplere, apucându-l de mânerul de sub rezervorul de apă. Umpleți rezervorul cu apă de la robinet (sau altă sursă de apă curată cu temperatura apei sub 40 °C), puneți la loc capacul și filtrul. Întoarceți încă o dată rezervorul de apă pe partea cealaltă până când acesta este pe partea corectă. Asigurați-vă că bazinul este curat și apoi așezați cu atenție rezervorul de apă pe corpul inferior.

Așteptați câteva secunde până când capacul rezervorului de apă începe să elibereze apă în bazin. Veți auzi o bolboroseală în timp ce aerul intră în rezervorul de apă. Conectați fișa de alimentare la o priză adecvată, sunetul emis indică faptul că dispozitivul dvs. este în modul de așteptare. Dacă umidificatorul este pornit/oprit, valorile pentru și umiditate vor fi afișate în acest moment.





## Buton de pornire:

Apăsați **butonul de pornire** pentru a activa umidificatorul. Aparatul funcționează acum în modul manual. Acesta va elibera ceață rece în mod constant, nivelul mediu de intensitate fiind setat în mod automat.



## Buton manual:

**Butonul manual** schimbă nivelul de ceață (scăzut, mediu, mare). Există 3 niveluri de debit de ceață disponibile.



## Blocare pentru copii:

Blocarea pentru copii protejează împotriva utilizării nedorite a dispozitivului.

**Blocarea pentru copii** este activată/dezactivată prin apăsarea **butonului manual** timp de 3 secunde.

Dacă blocarea pentru copii este activată, pe ecran apare o pictogramă  de blocare roșie.



## Buton pentru selectarea nivelului de umiditate:

Prin apăsarea **butonului pentru selectarea nivelului de umiditate**, puteți selecta nivelul de umiditate dorit apăsând acest buton în mod repetat până când este afișat nivelul dorit de umiditate (de la 40 % la 80% în trepte de câte 5 %). După ce selectați nivelul dorit de umiditate, pur și simplu nu mai apăsați butonul și nivelul de umiditate va fi setat. Când nivelul de umiditate din cameră atinge nivelul de umiditate setat, aparatul va intra în stare de repaus automat și nu va mai produce ceață după. Când nivelul real de umiditate din cameră scade sub nivelul de umiditate setat, aparatul va începe să producă din nou ceață.



## Buton Mod automat

La activarea modului automat, unitatea va selecta automat nivelul de umiditate relativă și îl va menține între 55% și 68%.

**Mod automat** este activată/dezactivată prin apăsarea **butonului pentru selectarea nivelului de umiditate** timp de 3 secunde.



## Buton pentru ioni negativi:

Prin apăsarea **butonului pentru ioni negativi** se va activa generatorul de ioni negativi cu o capacitate totală de > 3.000.000 de ioni negativi/cm<sup>3</sup> care sunt răspândiți în întreaga cameră, neutralizând astfel poluanții și mirosurile. Ionii negativi se atașează de particulele de praf, microorganismele și alte particule nedorite din aer și le leagă între ele. În acest fel, particulele devin mai grele decât aerul și cad pe sol, astfel încât nu mai pot fi inspirate.

Ionii negativi se găsesc cel mai mult în păduri, munți și la mare. Ionii negativi asigură un aer proaspăt și sănătos.



## Buton pentru temporizator:

Prin apăsarea **butonului pentru temporizator** se poate seta temporizatorul. Funcția de temporizare stabilește câte ore va funcționa umidificatorul. Puteți seta temporizatorul apăsându-l câte o dată pentru fiecare oră cât doriți să funcționeze dispozitivul. Temporizatorul poate fi setat între 1 oră și 12 ore. Pe măsură ce trece timpul, valoarea de timp scade până la 00:00 și dispozitivul se oprește.



## Mod Sleep:

Când modul Sleep este activat, afișajul se va închide în 10 secunde. Numai lumina pentru modul Sleep rămâne aprinsă.


**Mod Sleep** este activată/dezactivată prin apăsarea **butonului pentru temporizator** timp de 3 secunde.



## Buton de încălzire:

Prin apăsarea **butonului de încălzire** se activează funcția de ceață caldă, aceasta fiind indicată de trei linii verticale ondulate pe afișajul LED. În bazin, apa este încălzită de un element de încălzire PTC la peste 65 de grade pentru o distrugere eficientă a bacteriilor (Legionella). Încălzirea apei determină producerea unor particule mult mai mici de ceață pentru o umidificare mai rapidă și mai eficientă.

## Oprire automată atunci când rezervorul de apă este gol

Dacă rezervorul de apă este gol, un semnal acustic va suna de trei ori. Simbolul  corespunzător se aprinde pe afișaj în timp ce celelalte indicatoare se sting. Dispozitivul va opri automat umidificarea. În acest caz, opriți dispozitivul de la butonul de PORNIRE/OPRIRE.

Lăsați dispozitivul să se răcească înainte de a turna apă în rezervor.

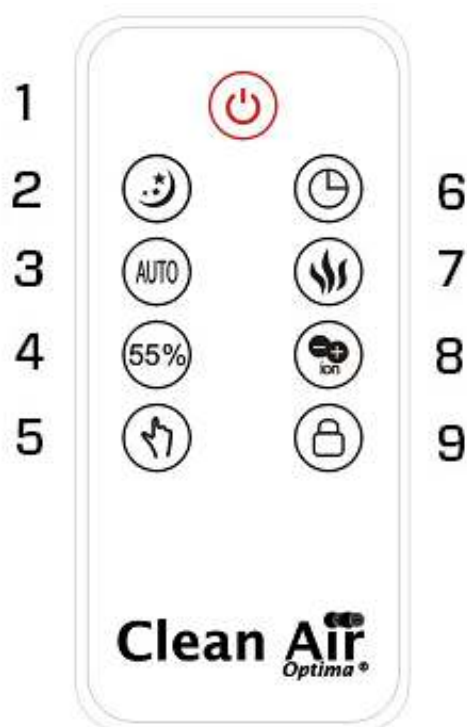
**Atenție:** Dispozitivul și apa din camera de nebulizare (bazin) ar putea fi foarte fierbinți. În cazul în care ridicați dispozitivul sau scoateți rezervorul de apă imediat după utilizare, riscați să vă opăriți cu apă fierbinte!

Asigurați-vă că rezervorul de apă este întotdeauna complet reumplut.

## Telecomandă

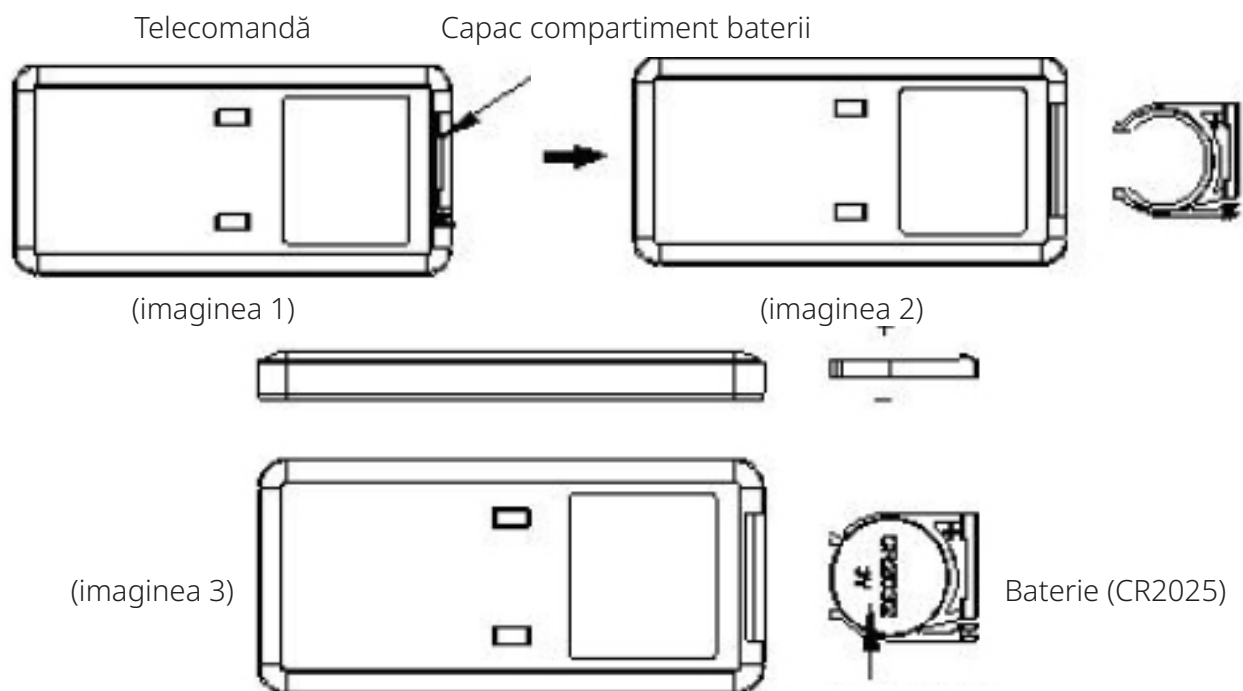
Butoanele de pe telecomandă:

1. PORNIRE/OPRIRE
2. Mod Sleep
3. Mod Auto
4. Umiditatea dorită
5. Min./Max.
6. Temporizator
7. Încălzire
8. Ioni negativi
9. Blocare pentru copii



## Schimbarea bateriilor de la telecomandă

1. Deschideți capacul compartimentului pentru baterii din partea din spate a telecomenzii pentru a introduce bateria. (a se vedea imaginea 1).
2. Pentru a introduce bateria: în partea de jos a telecomenzii există o „clapă de securitate” pe care trebuie să o glisați mai întâi spre dreapta, apoi să scoateți suportul bateriei. (a se vedea imaginea 2). Introduceți bateria cu polaritatea corectă. (a se vedea imaginea 3).
3. Puneți capacul compartimentului pentru baterii înapoi în telecomandă.



## Pregătirea filtrului de apă W-01W Clean Air Optima<sup>®</sup>

**Filtrul de apă W-01W** reduce calcarul din apă și emisia nedorită de particulele de calcar în cameră. Este eficient timp de una până la trei luni, în funcție de duritatea apei. Apa dură de la robinet accelerează saturația granulelor, astfel încât **filtrul de apă W-01W** trebuie înlocuit după un timp mai scurt.

1. Clătiți **filtrul de apă W-01W** timp de 2 minute sub apă rece de la robinet.



2. Înșurubați **filtrul de apă W-01W** pe capacul rezervorului de apă.

### Determinarea durității apei:

1. Introduceți banda de test furnizată într-un pahar cu apă rece de la robinet timp de 1 secundă.



2. Citiți banda de testare a durității apei după un minut.
3. Consultați tabelul pentru a determina durata preconizată a **filtrului de apă W-01W**.

■ ■ ■ ■	=3 luni
■ ■ ■ ■	=3 luni
■ ■ ■ ■	=2 luni
■ ■ ■ ■	=2 luni
■ ■ ■ ■	=1 luni

Eliminați **filtrul de apă W-01W** saturat odată cu deșeurile menajere obișnuite.

**Filtrul de apă W-01W** nu trebuie utilizat pentru o perioadă mai mare decât cea specificată. Puteți comanda **filtrul de apă W-01W** în magazinul nostru online, accesând [www.cleanairoptima.com](http://www.cleanairoptima.com)

## Înlocuirea filtrului de apă W-01W Clean Air Optima<sup>®</sup>

Aparatul Clean Air Optima CA-606W este echipat cu un mecanism de supraveghere a duratei de funcționare a filtrului care semnalează că filtrul de apă trebuie înlocuit după 400 de ore de funcționare. Pentru a arăta că filtrul de apă W-01W trebuie înlocuit, umidificatorul

emite un indicator luminos dublu zero.  Resetați temporizatorul pentru filtrul de apă, apăsând lung butonul de alimentare timp de aproximativ trei secunde. Dacă indicatorul luminos se stinge, temporizatorul a fost resetat cu succes.

## Introducerea/Înlocuirea cartușului Silver Ion SI-01 Clean Air Optima<sup>®</sup>

Cartușul Silver Ion SI-01 utilizează efectul anti-microbian al argintului, împiedică dezvoltarea bacteriilor și a mirosurilor în apă. Cartușul Silver Ion SI-01 funcționează chiar și atunci când umidificatorul dvs. este oprit, astfel încât apa să rămână proaspătă.

Înlocuiți cartușul Silver Ion SI-01 la începutul sesiunii de umidificare sau înlocuiți cartușul Silver Ion SI-01 după un an de utilizare.

### Înlocuirea cartușului Silver Ion SI-01:

1. Apucați rezervorul de apă de mânerul din partea de sus și ridicați de la bază.



2. Scoateți cartușul Silver Ion SI-01 uzat.



3. Introduceți noul cartuș Silver Ion SI-01.  
Eliminați cartușul Silver Ion SI-01 odată cu deșeurile menajere obișnuite.

Cartușul Silver Ion SI-01 nu trebuie utilizat mai mult decât este specificat. Puteți comanda cartușul Silver Ion SI-01 în magazinul nostru online accesând [www.cleanairoptima.com](http://www.cleanairoptima.com)

## Aromaterapie

### Activarea funcției de aromaterapie:

- Scoateți tava pentru aromaterapie din suport.
- Turnați 5 - 10 picături de ulei esențial Clean Air Optima<sup>®</sup> pe burete.
- Introduceți tava pentru aromaterapie înapoi în suport.
- Când porniți umidificatorul de aer, se va activa funcția de aromaterapie.
- Dacă doriți să dezactivați funcția de aromaterapie sau dacă dispozitivul nu ar trebui să fie utilizat pentru perioade îndelungate de timp, scoateți buretele pentru aromaterapie din compartiment și spălați-l cu puțină apă și săpun blând. Lăsați-l să se usuce complet înainte de a-l pune la loc în compartimentul pentru aromaterapie. Practic, buretele pentru aromaterapie este reutilizabil.



### Important

Pentru a obține cele mai bune rezultate și pentru a vă bucura cât mai mult de umidificatorul cu aer cu ultrasunete, vă recomandăm să citiți cu atenție următoarele instrucțiuni privind utilizarea uleiurilor esențiale în umidificatorul cu aer cu ultrasunete CA-606W.

### Utilizarea uleiurilor esențiale în dispozitivul CA-606W

Utilizați uleiurile noastre esențiale de înaltă calitate și bucurați-vă de aromaterapie la dvs. acasă! O experiență de arome senzațională!

Oferim o mare varietate de uleiuri esențiale de înaltă calitate, cu multe parfumuri diferite. Acestea se potrivesc perfect pentru umidificatorul de aer CA-606W și au fost special concepute pentru utilizarea cu acest umidificator cu ultrasunete:



Puteți comanda **uleiurile esențiale** în magazinul nostru online, accesând [www.cleanairoptima.com](http://www.cleanairoptima.com)

### Avertisment!

Utilizarea altor uleiuri esențiale care nu sunt făcute pentru acest umidificator de aer sau a altor aditivi (de exemplu: parfumuri și produse de purificare a apei) poate deteriora umidificatorul de aer și **NU este permisă!** **Nu puneți niciodată alte uleiuri esențiale pure sau alți aditivi în rezervorul de apă resp. bazinul de apă! Chiar și o cantitate mică poate deteriora plasticul și poate cauza fisuri.**

Materialul nu este conceput pentru utilizarea aditivilor. O picătură este suficientă pentru a deteriora rezervorul de apă/bazinul de apă și a dezactiva dispozitivul. Dispozitivele care sunt deteriorate ca urmare a utilizării aditivilor sunt excluse din garanție.

## Curățare și întreținere

Vă puteți asigura că umidificatorul dvs. **Clean Air Optima<sup>®</sup> CA-606W** va oferi ani de funcționare fără probleme, urmând câteva proceduri simple de întreținere. Dacă apa dvs. este dură și conține concentrații mari de calciu și alte minerale, în timp, praful alb (calcarul) va începe să se așeze pe diferitele suprafețe din cameră. De asemenea, se va forma o depunere albă (calcar) în **rezervorul de apă**, pe **traductor/elementul de încălzire PTC** și la interiorul rezervorului de apă. Depunerile de calcar vor afecta funcționarea corectă a **traductorului/elementului de încălzire PTC** și umidificarea igienică eficientă a unității.

### Recomandăm următoarele

1. Curățați **traductorul/elementul de încălzire PTC** și **rezervorul de apă** o dată pe săptămână, dacă utilizați aparatul zilnic, folosind **soluția de curățare și decalcifiere Clean Air Optima<sup>®\*</sup>**.
2. Atunci când rezervorul de apă trebuie să fie reumplut, goliți apa rămasă și umpleți-l cu apă proaspătă.
3. Curățați întregul dispozitiv și păstrați toate piesele complet uscate atunci când dispozitivul nu este utilizat.



Concepută în mod special pentru umidificatoarele **Clean Air Optima<sup>®</sup>**:

- nu este agresivă
- protejează materialele plastice și ceramice ale umidificatorului
- are un miros neutru
- curăță și decalcifică rapid și temeinic
- este biodegradabilă

Puteți comanda **soluția de curățare și decalcifiere Clean Air Optima<sup>®</sup>** din magazinul nostru online la adresa [www.cleanairoptima.com](http://www.cleanairoptima.com).

## Element de încălzire PTC



Traductor

## Curățarea traductorului/elementului de încălzire PTC și a rezervorului de apă

Deconectați dispozitivul.

În timpul curățării și decalcifierii, dispozitivul nu trebuie utilizat.

Îndepărtați orice urme de **soluție de curățare și decalcifiere Clean Air Optima<sup>®</sup>** de pe suprafețele de lucru sau de pe partea exterioară a dispozitivului cu o lavetă moale și umedă.

1. Adăugați două capace pline de **soluție de curățare și decalcifiere Clean Air Optima<sup>®</sup>** în rezervorul de apă (unul pe suprafața **traductorului** și unul pe **elementul de încălzire PTC**) și lăsați să își facă efectul timp de două până la cinci minute.
2. Îndepărtați cu atenție stratul de element mineral (calcar) de pe suprafața **traductorului** și de pe **elementul de încălzire PTC** cu o perie moale, un tampon din bumbac sau cu o periuță de dinți.  
Atenție: nu utilizați niciodată obiecte ascuțite sau dure pentru a curăța traductorul/elementul de încălzire PTC.
3. Apoi adăugați apă până la marginea **rezervorului de apă** și lăsați așa pentru o perioadă de minim 30 și maxim 60 de minute.
4. Clătiți bine **traductorul/elementul de încălzire PTC** și **rezervorul de apă** cu apă.
5. Dacă încă există urme vizibile de calcar, vă recomandăm să repetați procesul de curățare și decalcifiere.
6. Curățați interiorul **rezervorului de apă** cu un detergent slab și clătiți cu apă curată.

După curățare și decalcifiere, dispozitivul dvs. este curat, igienic, lipsit de calcar, bacterii și viruși și este pregătit pentru a fi utilizat din nou.

### Vă rugăm să rețineți:

pentru curățare și decalcifiere, dispozitivul trebuie să fie oprit/deconectat, astfel încât să nu se elibereze acid în aer prin intermediul aerosolilor eliberați prin pulverizare ultrasonică.



## Depanare

Urmează unghid de depanare care vă poate ajuta să rezolvați problemele pe care le-ați putea avea atunci când utilizați umidificatorul cu ultrasunete **Clean Air Optima<sup>®</sup> CA-606W**.

Problemă	Cauză posibilă	Soluție
Nu are loc dispersarea ceații.	Fișa de alimentare nu este conectată. Butonul PORNIRE/OPRIRE nu este activat. Rezervor de apă gol. Nu există suficientă apă în rezervor.	Conectați dispozitivul. Apăsați butonul de PORNIRE/OPRIRE. Umpleți rezervorul cu apă. Reumpleți rezervorul cu apă.
Ceața are un miros ciudat.	Un dispozitiv nou. Acesta fie conține apă murdară, fie apa nu a mai fost schimbată de prea mult timp.	Scoateți rezervorul de apă, deșurubați capacul și lăsați-l la aerisit într-o zonă răcoroasă timp de 12 ore. Curățați rezervorul de apă și reumpleți cu apă curată.
Volumul de ceață pulverizat este prea mic.	Prea multe depuneri de minerale în bazinul de apă și pe traductor. Apa este prea murdară sau apa a rămas prea mult timp în rezervor.	Curățați bazinul de apă și traductorul cu: <b>Soluția de curățare și decalcifiere Clean Air Optima<sup>®</sup></b> . Curățați rezervorul de apă și reumpleți cu apă curată.
Dispozitivul este zgomotos.	Rezervorul de apă nu este poziționat corect. Nu există suficientă apă în rezervorul de apă. Dispozitivul se află pe o suprafață instabilă.	Poziționați corect rezervorul de apă pe bază. Reumpleți cu apă rezervorul de apă. Așezați dispozitivul pe o suprafață solidă și netedă.
Ceața pulverizată iese din zona din jurul duzei de pulverizare.	Există goluri între carcasa din jurul duzei și partea superioară a rezervorului de apă.	Scoateți duza din partea de sus a rezervorului de apă și curățați-o cu o cârpă umedă. Montați la loc rezervorul de apă.

*Dacă apa pe care o utilizați este foarte dură (conține niveluri anormal de mari de minerale), umidificatorul poate răspândi un praf alb. Aceasta nu este o defecțiune. Soluția ar fi înlocuirea mai frecventă a filtrului de apă W-01W sau utilizarea unei apei mai puțin dure, cum ar fi apa distilată. Sau vă recomandăm aparatele de purificare a aerului Clean Air Optima, pentru mai multe informații, vizitați magazinul nostru online [www.cleanairoptima.com](http://www.cleanairoptima.com)*

## AVERTISMENT!

Dacă soluțiile recomandate mai sus nu funcționează, contactați asistența tehnică Clean Air Optima la numărul de telefon corespunzător regiunii dvs. Nu încercați să dezamblați, să reasamblați sau să reparați dispozitivul, deoarece acest lucru poate anula garanția.

## Specificații

Model	CA-606W
Pentru încăperi de până la	65 m <sup>2</sup> /160 m <sup>3</sup> /699 ft <sup>2</sup>
Tensiune nominală	220 V - 240 V, 50/60 Hz
Putere nominală	25 W - Max. 105 W
Capacitate de umidificare a aerului	Min. 120 ml/h - Max. 480 ml/h
Oxigen activ	< 0,05 ppm
Nivelul sonor	Ventilator silențios < 25 dB(A)
Dimensiuni	230 x 150 x 370 mm
Greutate	3,4 kg
Rezervor de apă	5,5 L
Culoare	Alb perlat cu rezervor de apă din sticlă fumurie

Respectă reglementările UE CE/DEEE/RoHS

Adresați-vă comercianților cu amănuntul sau municipalității dvs. pentru informații actualizate privind eliminarea ambalajului și a dispozitivului.



## Service

### Certificat de garanție pentru umidificatorul cu ultrasunete Clean Air Optima® CA-606W.

Data achiziției: .....  
Nume client: .....  
Adresă: .....  
Telefon: .....  
E-mail: .....  
Nume vânzător: .....  
Adresă: .....

1. Completați acest certificat de garanție. Trimiteți-l distribuitorului împreună cu factura și dispozitivul, cu taxe poștale pre-plătite și folosind ambalajul original. Asigurați-vă că includeți taxele poștale pentru retur.
2. Vă rugăm să anexați o scurtă descriere a daunelor sau defectăunilor și circumstanțele în care au apărut aceste probleme.

Umidificatorul cu ultrasunete **Clean Air Optima® CA-606W** este supus unor proceduri stricte de testare înainte de a părăsi fabrica. Dacă în termen de doi ani de la data achiziționării, produsul nu funcționează în conformitate cu specificațiile din cauza defectelor din fabrică, cumpărătorul are dreptul la reparații gratuite sau la înlocuirea pieselor la prezentarea acestei garanții (cu condiția ca defecțiunea sau deteriorarea dispozitivului și/sau a unor piese să fi apărut în condiții normale de funcționare). Ce este acoperit de garanție: Toate piesele defecte ca material sau manoperă. Pentru cât timp: doi ani de la data cumpărării. Ce vom face: Reparam sau înlocuim orice piesă defectă.

#### Alte condiții

Prevederile prezentei garanții înlocuiesc orice altă garanție scrisă, expresă sau implicită, scrisă sau orală, inclusiv orice garanție de vandabilitate sau adecvare pentru un anumit scop. Răspunderea maximă a producătorului nu trebuie să depășească prețul real de cumpărare plătit de dvs. pentru produs. În nici un caz producătorul nu va fi responsabil pentru daune speciale, întâmplătoare, subsecvente sau indirecte. Această garanție nu acoperă un defect care a rezultat din utilizarea sau întreținerea necorespunzătoare sau nerezonabilă, asamblarea defectuoasă, accidente, catastrofe naturale, împachetare necorespunzătoare, manipulare, alterare sau modificare neautorizată determinată de noi în mod unic. Această garanție este nulă dacă eticheta care poartă numărul de serie a fost scoasă sau a devenit ilizibilă.

**Nu puneți niciodată alte uleiuri esențiale pure sau alți aditivi în rezervorul de apă resp. bazinul de apă! Chiar și o cantitate mică poate deteriora plasticul și poate cauza fisuri.**

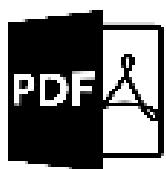
# Vă mulțumim că ați citit!



Trimiteti feedback despre umidificatorul cu ultrasunete Clean Air Optima® CA-606W la:  
[www.cleanairoptima.com](http://www.cleanairoptima.com)



Pentru întrebări frecvente despre CA-606W accesați:  
[www.cleanairoptima.com](http://www.cleanairoptima.com) și căutați CA-606W.



Descărcați manualul de instrucțiuni în format PDF de pe:  
[www.cleanairoptima.com/info/manuals](http://www.cleanairoptima.com/info/manuals)



Urmăriți toate clipurile video de animație Clean Air Optima® pe:  
[www.youtube.com](http://www.youtube.com)

Clean Air Optima International B.V. | David Ricardostraat 9-7/9-9 | 7559 SH Hengelo (ov)  
Țările de Jos | Telefon: +31 (0) 74 - 2670145

Clean Air Optima Germany GmbH | Enschedestraße 14 | 48529 Nordhorn | Germania  
Telefon: +49 (0) 5921 879-121

E-mail: [info@cleanairoptima.com](mailto:info@cleanairoptima.com)

Internet: [www.cleanairoptima.com](http://www.cleanairoptima.com)

## Čeština

**Děkujeme Vám, že jste zakoupili ultrazvukový zvlhčovač vzduchu Clean Air Optima® CA-606W.**

Přejeme Vám, aby Vám tento účinný a efektivní výrobek po mnoho let sloužil jako zdroj zdravého vzduchu uvnitř budov.

Tento návod popisuje bezpečnostní opatření, která je třeba při provozu tohoto zařízení dodržovat. Jejich cílem je prevence úrazů a poškození zařízení.

### **Popis zařízení**

Zařízení sestává z následujících hlavních součástí:

1. Mlhová tryska
2. Úchyt
3. Nádržka na vodu
4. Plovák
5. Zásobník na aroma
6. Napájecí kabel
7. Topné těleso PTC
8. Víko nádržky na vodu a filtr

## Bezpečnostní upozornění

Toto zařízení lze používat pouze v souladu s těmito pokyny pro bezpečné používání. Provedte následující kroky za účelem minimalizace rizika úrazu například elektrickým proudem nebo v důsledku požáru.

1. Pouze pro použití ve vnitřních prostorách. Nepoužívejte ani neskladujte venku.
2. Používejte správné napětí: AC 220 V – 240 V / 50/60 Hz
3. Vnitřní ultrazvukový měnič je vysoce citlivý. Nedotýkejte se jej holýma rukama a zamezte poškrábání kovovými předměty; v opačném případě by se mohla tvorba mlhy snížit. Při čištění této oblasti používejte nejlépe malý kartáč, vatovou tyčinku nebo zubní kartáček. Nepoužívejte horkou vodu – mohla by totiž poškodit části pro tvorbu mlhy.
4. Zařízení není určeno k tomu, aby bylo používáno dětmi nebo osobami se sníženými fyzickými, smyslovými či duševními schopnostmi bez dohledu osoby odpovědné za jejich bezpečnost.
5. Pokud nejsou děti nepřetržitě pod dozorem, nesmí se v blízkosti zařízení pohybovat.
6. Za účelem bezpečného používání umístěte zařízení do stabilní vodorovné polohy. Při provozu se zařízením nepohybujte.
7. Aby nedocházelo k rušení dalších elektronických zařízení nebo k jejich poškození, mělo by být toto zařízení umístěno alespoň 1 metr od počítače, televize, rádia nebo jiného elektronického zařízení.
8. Nepoužívejte toto zařízení, je-li napájecí kabel nebo zařízení samotné viditelně poškozeno. Je-li zařízení poškozené, neopravujte je sami. Nikdy netahejte zařízení za napájecí kabel. Dojde-li k poškození napájecího kabelu, musí být vyměněn kvalifikovaným servisním technikem, aby nedošlo k úrazu elektrickým proudem nebo k požáru.
9. Opravy mohou provádět pouze kvalifikovaní servisní technici. Nepokoušejte se opravovat zařízení sami, aby nedošlo k úrazu elektrickým proudem nebo k požáru.
10. Když zařízení nepoužíváte nebo chcete vyčistit vnitřní nebo vnější části, vždy vytáhněte napájecí kabel ze sítě.
11. Pokud chcete zařízení přesunout, vždy nejprve vyjměte nádržku na vodu.
12. Používejte pouze síťové kabely, které jsou součástí dodávky.
13. Nepoužívejte toto zařízení v místnostech, kde jsou uskladněny hořlavé kapaliny nebo plyny, v blízkosti zdrojů tepla ani v obzvláště vlhkých místnostech, jako je například koupelna, sprcha nebo bazén.
14. Chcete-li zabránit poruchám, nekládejte do zařízení cizí předměty.
15. Nikdy nerozebírejte ani nevyměňujte vnitřní součásti zařízení.
16. Neumisťujte zařízení na přímé sluneční světlo, aby nedošlo k jeho zbarvení.
17. Nikdy neponořujte zařízení do vody ani do jiných kapalin.
18. Nedotýkejte se napájecího kabelu mokřýma rukama.
19. Nesahejte na teplou mlhu velmi zblízka.
20. Před uložením zařízení jej nejprve vyčistěte a osušte (a rovněž odstraňte veškerou vodu, která zůstala uvnitř). Umístěte jej na chladné a suché místo mimo dosah dětí.
21. Nádržku na vodu nečistěte v případě, že je voda stále horká.
22. Používejte, udržujte a čistěte toto zařízení, jak je popsáno v této uživatelské příručce.

## Uvedení zařízení do provozu

Nejprve vyjměte zařízení Clean Air Optima<sup>®</sup> CA-606W z krabice a nechte, aby se přizpůsobilo pokojové teplotě, a to alespoň po dobu 30 minut a obzvláště tehdy, je-li zařízení studené vlivem venkovního ovzduší. Umístěte je na pevný rovný povrch, jenž není choulostivý na působení vody, a to přibližně 60 cm od podlahy a nejméně 20 cm od zdi.

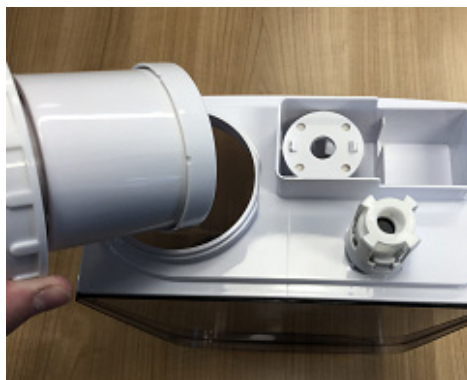
Zařízení CA-606W je navrženo tak, aby pracovalo v teplotním rozmezí 5–40 °C a za relativní vlhkosti nižší než 80 %.

V první řadě vyjměte nádržku na vodu ze základny pomocí **úchytu** v horní části. Poté nádržku otočte a vyšroubujte a vyjměte **víko nádržky a filtr**.

### Úchyt



### Víko nádržky a filtr



### Naplnění pomocí vodovodního kohoutku



Poté nádržku umístěte pod **vodovodní kohoutek** a držte ji za úchyt ve spodní části. Naplňte ji vodou (mimo kohoutkové lze použít jakýkoli čistý vodní zdroj s teplotou pod 40 °C) a nasadte zpět víko a filtr. Nádržku otočte zpět, aby byla ve správné poloze. Zkontrolujte, zda je vodní komora čistá, a poté nádržku opatrně vložte zpět na základnu.

Vyčkejte několik sekund, než začne víko uvolňovat vodu do vodní komory. Vlivem vzduchu, který se do nádržky dostane, uslyšíte, jak voda zabublá. Zapojte napájecí kabel do vhodné zásuvky. Zařízení vydá zvukový signál, což znamená, že je v pohotovostním režimu. Při zapnutí/vypnutí zvlhčovače se zobrazí hodnoty vlhkost.



## Zapnutí/vypnutí:

Stisknutím **tlačítka zapnutí/vypnutí** uvedete zvlhčovač vzduchu do provozu. Zařízení bude pracovat v manuálním režimu. Bude neustále vypouštět studenou mlhu, jejíž intenzita bude automaticky nastavena na střední úroveň.



## Ruční nastavení:

Pomocí **tlačítka pro ruční nastavení** můžete měnit úroveň mlhy (nízká, střední, vysoká). Jsou k dispozici 3 úrovně tvorby mlhy.



## Dětský zámek:

Dětský zámek chrání před nežádoucím použitím přístroje.

**Dětský zámek** se zapíná/vypíná stisknutím **tlačítka pro ruční nastavení** po dobu tří sekund.

Pokud je dětský zámek zapnutý, zobrazí se na displeji červená ikona  zámku.



## Nastavení vlhkosti:

Opakovaným stisknutím **tlačítka pro nastavení vlhkosti** můžete na displeji volit požadovanou úroveň vlhkosti (od 40 % do 80 % s 5% přírůstky). Jakmile se dostanete na požadovanou úroveň, tlačítko již dále nemačkejte. Zvolená vlhkost se tak uloží.

Jakmile je v místnosti požadované úrovně vlhkosti dosaženo, zařízení automaticky přejde do režimu spánku a tvořit mlhu. Pokud by se úroveň vlhkosti v místnosti snížila pod požadovanou úroveň, začne zařízení mlhu opět tvořit.



## Automatický režim:

Po aktivaci automatického režimu provede jednotka automatickou volbu úrovně relativní vlhkosti a udrží ji v rozmezí 55 % až 68 %.

**Automatický režim** se zapíná/vypíná stisknutím **tlačítka pro nastavení vlhkosti** po dobu tří sekund.





## Ionizace zápornými ionty:

Stisknutím **tlačítka pro ionizaci zápornými ionty** dojde k aktivaci generátoru záporných iontů s celkovou kapacitou > 3 000 000 záporných iontů / cm<sup>3</sup>, které jsou rozptýleny po celé místnosti, aby neutralizovaly znečišťující látky a pachy. Záporné ionty na sebe vážou prachové částice, mikroorganismy a jiné nežádoucí částičky v ovzduší a navzájem je propojují. Díky tomu jsou tak částice těžší než vzduch, což znamená, že spadnou na zem. Vy je tak nebudete vdechovat.

Negativní ionty se nejčastěji nachází v lesích, horách a u moře. Zajišťují čerstvé a zdravé ovzduší.



## Časovač:

Stisknutím **tohoto tlačítka** nastavíte časovač. Tato funkce určuje, jak dlouho bude zvlhčovač vzduchu v provozu. Nastavit ji lze jednoduše tak, že pro každou požadovanou hodinu provozu zařízení stisknete tlačítko jednou. Časovač lze nastavit od 1 až po 12 hodin. Jak doba ubíhá, snižuje se nastavený čas, až dosáhne hodnoty 00:00. Poté se zařízení vypne.



## Režim spánku:

Aktivujete-li režim spánku, dojde během 10 sekund k vypnutí displeje. Aktivní zůstane pouze kontrolka pro tento režim.

**Režim spánku** se zapíná/vypíná stisknutím **tlačítka pro ruční Časovač** po dobu tří sekund.




## Ohřev:

Stisknutím **tlačítka pro ohřev** dojde k aktivaci funkce teplé mlhy. Na LED displeji se zobrazí formou tří vertikálních vlnovek. Ohřev vody ve vodní komoře je zajištěn topným tělesem PTC. Teplota musí přesáhnout 65 stupňů, aby byly zničeny účinné bakterie (legionella). Díky ohřevu vody je výsledná mlha jemnější, díky čemuž probíhá zvlhčení vzduchu rychleji a účinněji.

## Automatické vypnutí, když je nádržka na vodu prázdná

Pokud se nádržka vyprázdní, zazní trojitý akustický signál. Na displeji se rozsvítí příslušný



symbol , zatímco ostatní ukazatele zhasnou. Zvlhčování vzduchu se automaticky vypne. V tomto případě zařízení vypněte pomocí tlačítka zapnutí/vypnutí. Před doplněním vody do nádržky nechte zařízení nejprve vychladnout.

**Upozornění:** Zařízení a voda v rozprašovací (vodní) komoře mohou být velmi horké. V případě, že byste chtěli zařízení ihned po vypnutí zdvihnout či vyjmout nádržku na vodu, mohli byste se opařit horkou vodou!

Nezapomeňte nádržku vždy dostatečně naplnit.

## Dálkové ovládání

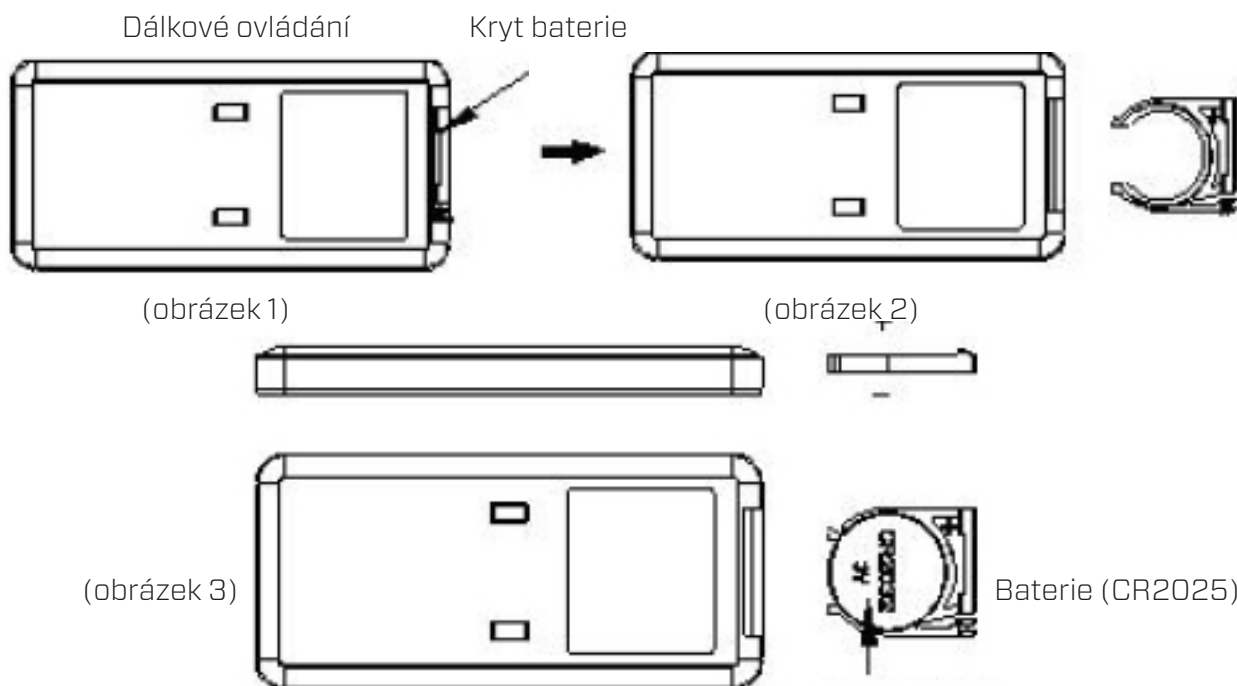
Tlačítka na vašem dálkovém ovládání:

1. ZAP / VYP
2. Režim spánku
3. Automatický režim
4. Požadovaná vlhkost
5. Min. / max.
6. Časovač
7. Ohřev
8. Ionizace zápornými ionty
9. Dětský zámek



## Výměna baterií v dálkovém ovládání

1. Chcete-li vložit do dálkového ovládání baterii, otevřete kryt na zadní straně ovladače. (viz obrázek 1).
2. Vložení baterie: ve spodní části dálkového ovládání se nachází „bezpečnostní pojistka“, kterou je nejprve třeba posunout doprava, abyste mohli vytáhnout držák baterie. (viz obrázek 2). Vložte baterii – dbejte přitom na správnou polaritu. (viz obrázek 3).
3. Zatlačte kryt baterie zpět.



## Příprava vodního filtru W-01W zařízení Clean Air Optima®

**Vodní filtr W-01W** snižuje tvorbu vodního kamene ve vodě a nežádoucí vypouštění těchto vápenatých částic do místnosti. V závislosti na tvrdosti vody je filtr účinný jeden až tři měsíce. Tvrdá kohoutková voda způsobuje rychlejší nasycení granulátu, což znamená, že musí být **vodní filtr W-01W** vyměněn dříve.

1. Opláchněte **vodní filtr W-01W** studenou kohoutkovou vodou. Oplachujte 2 minuty.



2. Našroubujte **vodní filtr W-01W** na víko nádržky na vodu.

### Určení tvrdosti vody:

1. Namočte přiložený testovací proužek do sklenice studené kohoutkové vody na 1 sekundu.



2. Výslednou tvrdost vody odečtete po uplynutí jedné minuty.
3. Předpokládanou dobu použitelnosti **vodního filtru W-01W** naleznete v uvedené tabulce.

■ ■ ■ ■	= 3 měsíce
■ ■ ■ ■	= 3 měsíce
■ ■ ■ ■	= 2 měsíce
■ ■ ■ ■	= 2 měsíce
■ ■ ■ ■	= 1 měsíc


Nasycený **vodní filtr W-01W** vhazujte do běžného domovního odpadu.

**Vodní filtr W-01W** nesmí být používán déle, než je uvedeno.

**Vodní filtr W-01W** si můžete objednat v našem e-shopu na adrese [www.cleanairoptima.com](http://www.cleanairoptima.com)

## Výměna filtru W-01W zařízení Clean Air Optima<sup>®</sup>

Zařízení **Clean Air Optima CA-606W** je vybaveno mechanismem pro kontrolu životnosti filtru, který vás po 400 provozních hodinách upozorní na to, že je **vodní filtr W-01W** třeba vyměnit.

Za tímto účelem zobrazí příslušná kontrolka dvě nuly.  Časovač pro vodní filtr resetujete tak, že stisknete tlačítko zapnutí/vypnutí a podržíte je přibližně 3 sekundy. Pokud kontrolka zhasne, proběhlo resetování úspěšně.

## Umístění/výměna Clean Air Optima<sup>®</sup> s ionty stříbra Silver Ion SI-01

Ionty stříbra **Silver Ion SI-01** využívají antibakteriálních účinků stříbra a zamezují tak tvorbě bakterií a pachů ve vodě. Tyto **ionty** pracují i tehdy, když je váš zvlhčovač vzduchu vypnutý, aby voda zůstala stále čerstvá.

Vyměňte **je** na začátku zvlhčovací sezóny **nebo** po jednom roce používání.

### Výměna iontů stříbra Silver Ion SI-01:

1. Vyjměte nádržku na vodu ze základny pomocí úchytu v horní části.



2. Vyjměte použité ionty stříbra **Silver Ion SI-01**.



3. Vložte nové ionty stříbra **Silver Ion SI-01**.

Použité ionty stříbra **Silver Ion SI-01** vyhazujte do běžného domovního odpadu.

Ionty stříbra **Silver Ion SI-01** nesmí být používány déle, než je uvedeno.

Ionty stříbra **Silver Ion SI-01** si můžete objednat v našem e-shopu na adrese [www.cleanairoptima.com](http://www.cleanairoptima.com)

## Aromaterapie

### Aktivace aromatické funkce:

- Vyměňte zásobník na aroma z držáku.
- Nalijte na houbičku 5–10 kapek esenciálního oleje Clean Air Optima<sup>®</sup>.
- Vložte zásobník zpět do držáku.
- Aromatická funkce se aktivuje poté, co zvlhčovač vzduchu zapnete.
- Chcete-li tuto funkci deaktivovat nebo pokud nebudete zařízení delší dobu používat, vyjměte aroma houbičku z přihrádky a umyjte ji trochou jemné mýdlové vody. Než ji vložíte zpět do přihrádky, nechte ji kompletně vyschnout. Aroma houbičku lze používat opakovaně.



### Důležité

Abyste dosáhli nejlepších výsledků a užili si ultrazvukový zvlhčovač vzduchu na maximum, měli byste si pozorně přečíst následující pokyny ohledně využívání esenciálních olejů v ultrazvukovém zvlhčovači vzduchu CA-606W.

### Využívání esenciálních olejů v zařízení CA-606W

Využijte našich vysoce kvalitních esenciálních olejů a dopřejte si soukromou aromaterapii! Požitek z vůně na té nejvyšší úrovni!

V našem sortimentu můžete najít ty nejkvalitnější esenciální oleje mnoha různých vůní.

Pro ultrazvukový zvlhčovač vzduchu CA-606W jsou ideální volbou – byly totiž pro toto zařízení speciálně vyvinuty:



Esenciální oleje **si můžete objednat** v našem e-shopu na adrese [www.cleanairoptima.com](http://www.cleanairoptima.com)

### Varování!

Používání esenciálních olejů, jež nebyly pro tento zvlhčovač vzduchu speciálně vyvinuty, nebo jiných přídatných látek (např. parfémů a přípravků na čištění vody) může toto zařízení poškodit, a proto je jejich používání **ZAKÁZÁNO!** *Nikdy do nádržky na vodu ani vodní komory nepřidávejte jiné než určené čisté esenciální oleje nebo další látky! I malé množství těchto látek by mohlo poškodit plast a způsobit praskliny.*

Tyto přídatné látky jsou pro materiál zařízení zcela nevhodné. I pouhá jedna kapka může poškodit jak nádržku na vodu/vodní komoru, tak celkovou funkčnost zařízení. Zařízení, k jehož poškození dojde vlivem těchto látek, nepodléhá záruce.

## Čištění a údržba

Budete-li dodržovat několik jednoduchých pokynů, jak o zvlhčovač **Clean Air Optima<sup>®</sup> CA-606W** pečovat, můžete si zajistit mnoho let jeho bezproblémového provozu. Pokud je vaše voda tvrdá a obsahuje vysoké koncentrace vápníku a dalších minerálů, může se vám po čase na nejrůznějších površích v místnosti začít usazovat bílý prach (vápenatý povlak). Bílé usazeniny (vodní kámen) se mohou rovněž začít tvořit ve **vodní komoře**, na **měníči/topném tělese PTC** a po vnitřních stranách nádržky na vodu. Vápenaté usazeniny budou zhoršovat funkčnost **měníče/topného tělesa PTC** a provádění účinného hygienického zvlhčování.

### Doporučujeme postupovat následovně

1. Pokud zařízení používáte každý den, umývejte **měníč/topné těleso PTC** a **vodní komoru** jednou týdně pomocí **čističe a odvápnovače Clean Air Optima<sup>®</sup>\***.
2. Jakmile je třeba nádržku na vodu doplnit, vylijte zbývající vodu a vyměňte ji za novou.
3. Pokud zařízení nebudete používat, kompletně jej umyjte a nechte všechny části zcela vysušit.



Speciálně vyvinuto pro zvlhčovače **Clean Air Optima<sup>®</sup>**:

- Neagresivní složení
- Chrání plastové a keramické materiály zvlhčovače
- Bez zápachu
- Zajišťuje rychlé a důkladné čištění a odvápnění
- Biologicky odbouratelný

**Čistič a odvápnovač Clean Air Optima<sup>®</sup>** si můžete objednat v našem e-shopu na adrese [www.cleanairoptima.com](http://www.cleanairoptima.com).

Topné těleso PTC



Měníč

## Umývání měniče/topného tělesa PTC a vodní komory

Odpojte zařízení.

Během čištění a odvápnění nelze zařízení používat.

Jakékoli zbytky **čističe a odvápnovače Clean Air Optima<sup>®</sup>**, které ulpěly na pracovní ploše nebo na vnější straně zařízení, odstraňte měkkým navlhčeným hadříkem.

1. Nalijte dvě víčka **čističe a odvápnovače Clean Air Optima<sup>®</sup>** do vodní komory (jedno víčko na povrch **měníče** a druhé na **topné těleso PTC**) a nechte působit dvě až pět minut.
2. Opatrně odstraňte minerální (vápenatý) povlak z povrchu **měníče** a **topného tělesa PTC** pomocí malého kartáče, vatové tyčinky či zubního kartáčku.  
Upozornění: nikdy měnič/topné těleso PTC nečistěte pomocí ostrých či tvrdých předmětů.
3. Poté nalijte do **vodní komory** vodu až po okraj a nechte působit alespoň 30 minut, nejvýše však 60 minut.
4. Opláchněte **měníč/topné těleso PTC** a **vodní komoru** důkladně vodou.
5. Pokud jsou známky vodního kamene stále patrné, doporučujeme proces čištění a odvápnění zopakovat.
6. Umyjte vnitřní část **nádržky na vodu** jemným čisticím prostředkem a vypláchněte vodou.

Po vyčištění a odvápnění bude vaše zařízení hygienicky čisté a bez známek vodního kamene, bakterií či virů. Můžete jej začít ihned opět používat.

### Upozornění:

Před prováděním čištění a odvápnění je třeba zařízení vypnout, aby se do vzduchu neuvolňovala žádná kyselina prostřednictvím aerosolů během ultrazvukového rozprašování.

## Řešení možných problémů

Následující návod pro řešení možných problémů Vám pomůže vyřešit jakékoli potíže, které mohou při používání ultrazvukového zvlhčovače vzduchu **Clean Air Optima<sup>®</sup> CA-606W** nastat.

Problém	Možná příčina	Řešení
Netvoří se žádná mlha.	Není zapojen napájecí kabel. Nebylo stisknuto tlačítko zapnutí/vypnutí. Nádržka na vodu je prázdná. V nádržce je málo vody.	Zapojte napájecí kabel do zásuvky. Stiskněte tlačítko zapnutí/vypnutí. Napuněte do nádržky vodu. Doplňte do nádržky vodu.
Mlha podivně zapáchá.	Nové zařízení. Buď je voda špinavá, nebo byla v nádržce příliš dlouho.	Vyjměte nádržku, odšroubujte víko a nechte ji větrat na chladném místě po dobu 12 hodin. Vyčistěte nádržku a napuněte do ní čistou vodu.
Objem rozprašované mlhy je příliš nízký.	Velké množství minerálních usazenin ve vodní komoře a na měniči. Voda je příliš špinavá nebo byla v nádržce ponechána příliš dlouho.	Vyčistěte nádrž na vodu a snímač pomocí: <b>Čistič a odvápňovač Clean Air Optima<sup>®</sup>.</b> Vyčistěte nádržku a napuněte do ní čistou vodu.
Zařízení je hlučné.	Nádržka na vodu není umístěna správně. V nádržce je málo vody. Zařízení je umístěno na nestabilním povrchu.	Umístěte nádržku na základnu správným způsobem. Doplňte do nádržky vodu. Umístěte zařízení na pevný a rovný povrch.
Mlha vychází okolo výstupní trysky.	Mezi krytem okolo trysky a vrchní částí nádržky na vodu jsou mezery.	Odstraňte trysku z vrchní části nádržky a otřete ji vlhkým hadříkem. Připevněte ji zpět na nádržku.



*Pokud je vaše voda velmi tvrdá (obsahuje extrémně vysoké koncentrace minerálů), může zařízení vytvářet bílý prach. Nejedná se o závadu. Tento problém lze řešit častější výměnou vodního filtru W-01W nebo používáním měkčí vody, např. destilované. Případně můžeme také doporučit čističku vzduchu Clean Air Optima; více informací naleznete v našem e-shopu [www.cleanairoptima.com](http://www.cleanairoptima.com)*

**VAROVÁNÍ!**

Pokud výše uvedená řešení nepomohou, obraťte se na technickou podporu Clean Air Optima na telefonním čísle určeném pro váš region. Nepokoušejte se zařízení rozebrat, znovu sestavit nebo opravit, protože může dojít k propadnutí záruky.

**Technické parametry**

Model	CA-606W
Pro místnosti do velikosti	65 m <sup>2</sup> / 160 m <sup>3</sup> / 699 ft <sup>2</sup>
Jmenovité napětí	220 V – 240 V, 50/60 Hz
Jmenovitý výkon	25 W–Max. 105 W
Objem zvlhčování vzduchu	Min. 120 ml/h–max. 480 ml/h
Aktivní kyslík	<0,05 ppm
Hladina hluku	Tichý ventilátor < 25 dB(A)
Rozměry	230 × 150 × 370 mm
Hmotnost	3,4 kg
Nádržka na vodu	5,5 l
Barva	Perlově bílá, nádržka na vodu z kouřového skla

Splňuje požadavky předpisů EU CE/WEEE/RoHS

**Požádejte svého prodejce nebo obec o aktuální informace týkající se likvidace obalu a tohoto zařízení.**



## Servis

### Záruční list pro ultrazvukový zvlhčovač vzduchu Clean Air Optima<sup>®</sup> CA-606W.

Datum nákupu: .....  
Jméno zákazníka: .....  
Adresa: .....  
Telefon: .....  
E-mail: .....  
Jméno prodejce: .....  
Adresa: .....

1. Tento záruční list prosím vyplňte. Zašlete jej spolu s fakturou a spotřebičem, s poštovním hrazeným předem a v původním obalu svému distributorovi. Přesvědčte se, že jste uhradili poštovné za vrácení zásilky.
2. Připojte krátký popis poškození, vady nebo poruchy a okolnosti, za kterých k uvedenému problému došlo.

Ultrazvukový zvlhčovač vzduchu **Clean Air Optima<sup>®</sup> CA-606W** byl u výrobce podroben přísným testům. Pokud v průběhu 2 let od data zakoupení produkt přestane fungovat v souladu se specifikacemi z důvodu výrobních vad, kupující má právo na bezplatnou opravu nebo výměnu součástí na základě předložení tohoto záručního listu (za předpokladu, že k poruše nebo poškození zařízení, případně součástí, došlo za běžných provozních podmínek). Záruka se vztahuje na následující: všechny součásti, u nichž se projeví vada materiálu nebo výrobní vada. Jak dlouho: po dobu dvou let od data zakoupení. Co uděláme: opravíme nebo vyměníme jakékoli vadné součásti.

#### Další podmínky

Ustanovení tohoto záručního listu jsou namísto jakékoli písemné záruky, ať již výslovné či mlčky předpokládané, písemné nebo ústní, včetně záruky prodejnosti a vhodnosti pro konkrétní účel. Maximální odpovědnost výrobce nepřekročí aktuální kupní cenu, za kterou bylo zařízení zakoupeno. Za žádných okolností výrobce nenese odpovědnost za zvláštní, následné ani nepřímé škody. Tato záruka se nevztahuje na vady, které vznikly v důsledku nesprávného nebo nepřiměřeného použití či údržby, vadné montáže, havárie, přírodní katastrofy, nesprávného zabalení nebo neoprávněného zásahu, změny nebo úpravy podle našeho vlastního úsudku. Tato záruka propadá, pokud dojde k odstranění štítku s výrobním číslem nebo pokud se tento štítek stane nečitelným.

**Nikdy do nádržky na vodu ani vodní komory nepřidávejte jiné než určené čisté esenciální oleje nebo další látky! I malé množství těchto látek by mohlo poškodit plast a způsobit praskliny.**

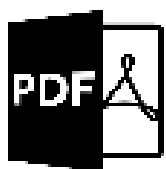
# Děkujeme Vám za přečtení těchto pokynů.



Máte-li k ultrazvukovému zvlhčovači vzduchu Clean Air Optima® CA-606W jakékoli komentáře, podělte se o ně s námi na adrese: [www.cleanairoptima.com](http://www.cleanairoptima.com)



Často kladené otázky týkající se produktu CA-606W najdete na adrese: [www.cleanairoptima.com](http://www.cleanairoptima.com), kde do vyhledávání zadejte CA-606W.



Uživatelskou příručku ve formátu PDF stáhnete na: [www.cleanairoptima.com/info/manuals](http://www.cleanairoptima.com/info/manuals)



Podívejte se na všechna animační videa týkající se produktu Clean Air Optima® na adrese: [www.youtube.com](http://www.youtube.com)

**Clean Air Optima International B.V.** | David Ricardostraat 9-7 / 9-9 | 7559 SH Hengelo (ov)  
Nizozemsko | Telefon: +31 (0) 74 - 2670145

**Clean Air Optima Germany GmbH** | Enschedestraße 14 | 48529 Nordhorn | Německo  
Telefon: +49 (0) 5921 879-121

**E-mail:** [info@cleanairoptima.com](mailto:info@cleanairoptima.com)

**Internet:** [www.cleanairoptima.com](http://www.cleanairoptima.com)

## Lietuvių kalba

**Dėkojame, kad įsigijote „Clean Air Optima<sup>®</sup>“ ultragarsinį drėkintuvą „CA-606W“.**

Linkime jums ne vienerius metus mėgautis švairiu patalpų oru, naudojant šį veiksmingą ir efektyvų gaminį.

Šioje instrukcijoje aprašomi saugos nurodymai, kurių reikia laikytis naudojant prietaisą. Jie skirti apsaugoti nuo traumų ir išvengti prietaiso pažeidimo.

### Prietaiso aprašymas

Prietaisą sudaro šios pagrindinės dalys:

1. Miglos purkštukas
2. Rankena
3. Vandens bakelis
4. Plūdė
5. Kvapų skyrelis
6. Maitinimo laidas
7. PTC šildytuvas
8. Vandens bakelio dangtelis ir filtras

## Saugos įspėjimai

Šį prietaisą galima naudoti tik laikantis šių saugos instrukcijų. Imkitės toliau nurodytų priemonių, kad sumažintumėte traumų riziką, pavyzdžiui, dėl elektros smūgio ar gaisro.

1. Naudokite prietaisą tik patalpose. Nenaudokite ir nelaikykite prietaiso lauke.
2. Naudokite tinkamą įtampą: 220–240 V, 50 / 60 Hz KS
3. Vidinis ultragarso keitiklis yra labai jautrus. Nelieskite jo plikais pirštais ir nebraižykite metaliniais įrankiais, antraip sumažės skleidžiamos miglos kiekis. Šią sritį valykite mažu valymo šepetėliu, medvilniniu tamponu ar dantų šepetėliu. Nenaudokite karšto vandens, nes jis gali pažeisti miglą skleidžiančias dalis.
4. Prietaisas neskirtas vaikams ar asmenims, kurių fiziniai, jutiminiai ar protiniai gebėjimai yra riboti, nebent juos prižiūri už jų saugą atsakingas asmuo.
5. Prietaisas turi būti nepasiekiamas vaikams, nebent jie nuolat prižiūrimi.
6. Norėdami saugiai naudoti prietaisą, padėkite jį stabiliai ir horizontaliai. Nejudinkite naudojamą prietaiso.
7. Siekiant išvengti trukdžių ir žalos kitiems elektroniniams prietaisams, šį įrenginį reikia statyti mažiausiai 1 metro atstumu nuo kompiuterio, televizoriaus, radijo aparato ir kitos elektroninės įrangos.
8. Nenaudokite prietaiso, jei elektros laidas arba pats prietaisas yra pastebimai apgadinti. Jei prietaisas sugadintas, netaisykite jo patys. Prietaiso netraukite už laido. Apgadintą maitinimo laidą turi pakeisti įgaliotas techninės priežiūros darbuotojas, kad būtų išvengta elektros smūgio ar gaisro.
9. Remontą gali atlikti tik įgaliotas techninės priežiūros darbuotojas. Siekdami išvengti elektros smūgio ar gaisro, nbandykite taisyti prietaiso patys.
10. Kai prietaiso nenaudojate arba valote jo vidines ar išorines dalis, būtinai išjunkite iš maitinimo lizdo.
11. Prieš perkeldami prietaisą išimkite vandens bakelį.
12. Naudokite tik rinkinyje esančius maitinimo laidus.
13. Nenaudokite prietaiso patalpose, kuriose laikomi degūs skysčiai ar dujos, arti šilumos šaltinių arba itin drėgnose patalpose, pavyzdžiui, vonioje, duše ar baseine.
14. Siekdami išvengti prietaiso gedimo, niekada į jį nedėkite tam neskirtų objektų.
15. Niekada neišmontuokite ir nekeiskite prietaiso vidinių dalių.
16. Siekdama išvengti prietaiso spalvos blukimo, nelaikykite jo tiesioginėje saulės šviesoje.
17. Niekada nenardinkite prietaiso į vandenį ar į kitus skysčius.
18. Nelieskite maitinimo laido šlapiomis rankomis.
19. Nelieskite šiltos miglos iš arti.
20. Prieš padėdami prietaisą saugoti, jį išvalykite ir nusauskite (taip pat išpilkite iš prietaiso visą vandenį). Įrenginį laikykite vėsioje ir sausoje, vaikams nepasiekiamoje vietoje.
21. Nevalykite vandens nuotako, jei vanduo dar karštas.
22. Prietaisą naudokite, prižiūrėkite ir valykite pagal šio vadovo nurodymus.

## Naudojimo instrukcijos

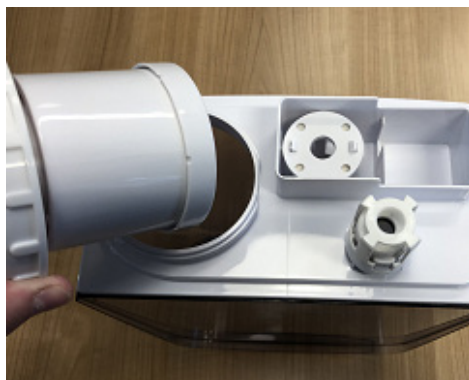
Prieš pradėdami naudoti, išimkite „Clean Air Optima“<sup>®</sup> CA-606W iš dėžės ir palikite prisitaikyti prie patalpos temperatūros mažiausiai 30 minučių, ypač jei įrenginys atneštas iš šalto lauko oro. Padėkite prietaisą ant tvirto, lygaus ir vandeniui nejautraus paviršiaus, maždaug 60 cm aukštyje virš grindų ir mažiausiai 20 cm atstumu nuo sienos.

CA-606W sukurtas veikti esant 5–40 °C temperatūrai ir mažesnei nei 80 % santykinei drėgmei. Pirmiausia suimkite vandens bakelį už viršuje esančios **rankenos** ir pakelkite nuo pagrindo. Tada apverskite bakelį, atsukite ir nuimkite jo **dangtelį, išimkite filtrą**.

### Rankena



### Vandens bakelio dangtelis ir filtras



### Vandens pripylimas iš čiaupo



Pakiškite vandens bakelį po **čiaupu** ir pripildykite, laikydami už rankenos po vandens bakeliu. Pripildykite bakelį vandentiekio vandeniu (ar kitokio švaraus vandens, ne šiltesnio nei 40 °C), atgal uždėkite dangtelį ir filtrą. Dar kartą apverskite vandens bakelį, kad jis būtų tinkama puse aukštyje. Įsitinkite, kad dubuo švarus ir atsargiai įdėkite vandens bakelį atgal į apatinę korpuso dalį.

Palaukite kelias sekundes, kol per vandens bakelio dangtelį vanduo ims tekėti į dubenį. Orui patenkant į vandens bakelį girdėsite burbuliavimą. Įkiškite maitinimo laido kištuką į tinkamą maitinimo lizdą. Išgirsite signalą, rodantį, kad prietaisas veikia budėjimo režimu. Įjungus arba išjungus drėkintuvą parodomos drėgmės reikšmės.



## Maitinimo mygtukas:

Paspauskite **maitinimo mygtuką**, kad aktyvintumėte drėkintuvą. Dabar įrenginys veiks rankiniu režimu. Jis nuolat skleis vėsią miglą, automatiškai bus nustatytas vidutinis miglos intensyvumo greitis.




## Rankinio režimo mygtukas:

**Rankinio režimo mygtuku** galima pakeisti miglos lygį (mažas, vidutinis, didelis). Galimi 3 miglos išvesties lygiai.



## Užraktas nuo vaikų:

Užraktas nuo vaikų apsaugo prietaisą nuo neleistino naudojimo.

**Užraktas nuo vaikų** įjungiamas / išjungiamas paspaudus **rankinio režimo mygtuką** ir palaikius 3 sekundes. Kai įjungtas užraktas nuo vaikų, ekrane rodoma raudona spynos piktograma .



## Drėkinimo mygtukas:

Paspausdami **drėkinimo mygtuką**, galite pasirinkti pageidaujamą drėgmės lygį – pakartotinai spauskite šį mygtuką, kol bus parodytas reikiamas drėgmės lygis (nuo 40 iki 80 %, 5 % žingsniu). Kai pasirinksite pageidaujamą drėgmės lygį, tiesiog nebespauskite mygtuko ir drėgmės lygis bus nustatytas.

Kai drėgmės lygis patalpoje pasieks nustatytąjį, įrenginys automatiškai pereis į miego būseną ir nustos skleisti miglą. Patalpos faktiniam drėgmės lygiui nukritus žemiau nustatytojo, įrenginys vėl ims skleisti miglą.



## Automatinis režimas:

Įjungus automatinį režimą, prietaisas automatiškai pasirinks santykinio drėgumo lygį ir palaikys jį 55–68 % ribose.

**Automatinis režimas** įjungiamas / išjungiamas paspaudus **drėkinimo mygtuką** ir palaikius 3 sekundes.



## Neigiamų jonų mygtukas:

Paspaudus **neigiamų jonų mygtuką** aktyvinamas neigiamų jonų generatorius. Jo maksimali išėiga yra  $> 3\,000\,000$  neigiamų jonų /  $\text{cm}^3$ . Šie neigiami jonai paskleidžiami visoje patalpoje ir neutralizuoja teršalus bei kvapus. Neigiami jonai tvirtinasi prie dulkių dalelių, mikroorganizmų ir kitų nepageidaujamų oro dalelių bei jungia jas vienas prie kito. Taip tos dalelės pasidaro sunkesnės už orą ir leidžiasi ant žemės, kur jų nebegalėsite įkvėpti.

Neigiami jonai dažniausiai randami miškuose, kalnuose ir prie jūros. Jie užtikrina, kad oras būtų šviežias ir sveikas.



## Laikmačio mygtukas:

Paspausdami **laikmačio mygtuką** galite nustatyti laikmatį. Laikmačio funkcija apibrėžia, kiek valandų veiks drėkintuvas. Laikmatį galite nustatyti tiesiog paspausdami po vieną kartą kiekvienai valandai pagal tai, kiek laiko norite, kad prietaisas veiktų. Laikmatį galima nustatyti nuo 1 iki 12 valandų. Laikui bėgant reikšmė mažėja, o pasiekus 00:00 prietaisas išsijungia.



## Miego režimas:

Suaktyvinus miego režimą, ekranas išsijungia po 10 sekundžių. Šviečia tik miego režimo lemputė. **Miego režimas** įjungiamas / išjungiamas paspaudus **Laikmačio mygtukas** ir palaikius 3 sekundes.



## Šildymo mygtukas:

Paspaudus **šildymo mygtuką** aktyvinama šiltos miglos funkcija, LED ekrane ją nurodo trys banguotos vertikalios linijos. Vandenį dubenyje šildo PTC šildymo elementas. Vanduo įkaitinamas iki daugiau nei 65 laipsnių, kad sunaikintų bakterijas (legioneles). Vandens šildymas sukuria smulkesnes miglos daleles, kurios greičiau ir veiksmingiau drėkina.

## Automatinis išjungimas ištuštėjus vandens bakeliui

Ištuštėjus vandens bakeliui, tris kartus pasigirsta garsinis signalas. Ekrane įsižiebia atitinkama



piktograma, o kitos signalinės lemputės užgęsta. Prietaisas automatiškai nustoja drėkinti. Taip nutikus, išjunkite prietaisą mygtuku ĮJUNGIMAS / IŠJUNGIMAS. Leiskite prietaisui atvėsti ir tik tada į bakelį pripilkite vandens.

**Dėmesio:** Prietaisas ir vandens purškimo talpa (dubuo) gali būti stipriai įkaite. Iškart po prietaiso naudojimo jį keldami arba išimdami vandens bakelį rizikuojate nusiplikyti karštu vandeniu!

Rūpinkitės, kad vandens bakelis visada būtų pilnai pripildomas iš naujo.



## Nuotolinio valdymo pultas

### Nuotolinio valdymo pulto mygtukai:

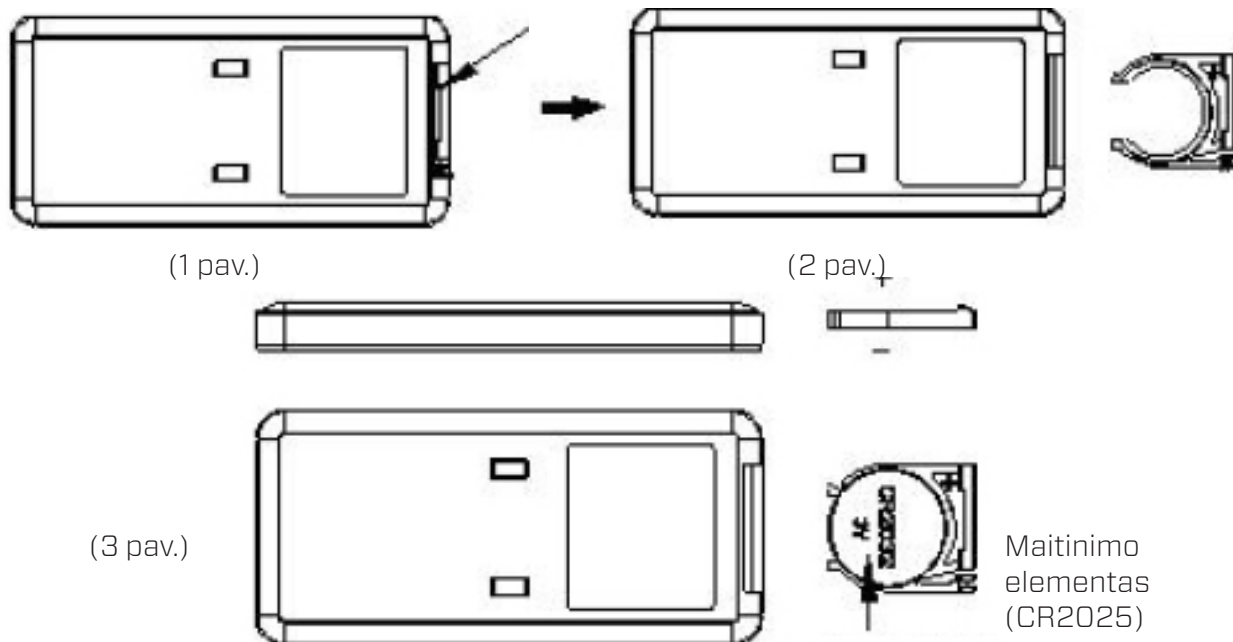
1. ĮJUNGIMAS / IŠJUNGIMAS
2. Miego režimas
3. Automatinis režimas
4. Pageidaujama drėgmė
5. Min. / maks.
6. Laikmatis
7. Šildymas
8. Neigiami jonai
9. Užraktas nuo vaikų



### Nuotolinio valdymo pulto maitinimo elemento keitimas

1. Nuimkite pulto galinėje pusėje esantį maitinimo elemento skyrelio dangtelį. (žr. 1 pav.).
2. Maitinimo elemento įdėjimas: nuotolinio valdymo pulto apačioje yra „saugos auselė“, pirmiausia turite ją paslinkti dešinėn ir tik tada galėsite ištraukti maitinimo elemento laikiklį. (žr. 2 pav.). Tinkama puse įdėkite maitinimo elementą. (žr. 3 pav.).
3. Maitinimo elemento skyrelio dangtelį įstumkite atgal į nuotolinio valdymo pultą.

Nuotolinio valdymo pultas      Maitinimo elemento skyrelio dangtelis



Maitinimo  
elementas  
(CR2025)

## „Clean Air Optima<sup>®</sup>“ vandens filtro „W-01W“ paruošimas darbui

**Vandens filtras W-01W** mažina kalkių kiekį vandenyje ir nepageidaujamų kalkių dalelių išskyrimą į patalpą. Veikia nuo vieno iki trijų mėnesių, priklausomai nuo vandens kietumo. Kietas čiaupo vanduo spartina smulkių dalelių susidarymą, todėl **vandens filtrą W-01W** keisti tenka dažniau.

1. **Vandens filtrą W-01W** 2 minutes praskalaukite po šalto vandens srove.



2. Prisukite **vandens filtrą W-01W** prie vandens bakelio dangtelio.

### Vandens kietumo nustatymas:

1. Panardinkite pridėtą testinę juostelę į šalto čiaupo vandens stiklinę vienai sekunde.



2. Po minutės įvertinkite testinės juostelės rodomą vandens kietumą.
3. Kiek turėtų veikti **vandens filtras W-01W**, galite įvertinti pagal lentelę.

■ ■ ■ ■	= 3 mėnesius
■ ■ ■ ■	= 3 mėnesius
■ ■ ■ ■	= 2 mėnesius
■ ■ ■ ■	= 2 mėnesius
■ ■ ■ ■	= 1 mėnesį


Prisotintą **vandens filtrą W-01W** išmeskite su įprastinėmis namų ūkio šiukšlėmis.

Nereikėtų **vandens filtro W-01W** naudoti ilgiau nei nurodyta.

**Vandens filtrą W-01W** užsakyti galite mūsų internetinėje parduotuvėje, kurios adresas [www.cleanairoptima.com](http://www.cleanairoptima.com)

## „Clean Air Optima<sup>®</sup>“ vandens filtro „W-01W“ keitimas

„Clean Air Optima CA-606W“ turi filtro veikimo trukmės stebėjimo mechanizmą, kuris po 400 darbo valandų primena, kad filtrą reikia pakeisti. Primindamas pakeisti **vandens filtrą W-01W**

drėkintuvas uždega dviejų nulių lempuotę.  Iš naujo nustatykite vandens filtro laikmatį nuspausdami ir palaikydami maitinimo mygtuką maždaug 3 sekundes. Jei indikatoriaus lempuotė užgęsta, laikmatis sėkmingai nustatytas iš naujo.

## „Clean Air Optima<sup>®</sup>“ filtro „Silver Ion SI-01“ įdėjimas ir keitimas

Filtrą „Silver Ion SI-01“ naudoja nuo mikrobu saugantį sidabro poveikį ir neleidžia vandenyje augti bakterijoms bei kauptis kvapams. „Silver Ion SI-01“ veikia ir tada, kai drėkintuvas išjungtas, todėl vanduo išlieka šviežias visą laiką.

Filtrą „Silver Ion SI-01“ pakeiskite drėkintuvo naudojimo sezono pradžioje arba pakeiskite „Silver Ion SI-01“ po vienerių naudojimo metų.

### Filtro „Silver Ion SI-01“ keitimas:

1. Suimkite vandens bakelį už viršuje esančios rankenos ir pakelkite nuo pagrindo.



2. Išimkite naudotą filtrą „Silver Ion SI-01“.



3. Įdėkite naują „Silver Ion SI-01“.

Seną filtrą „Silver Ion SI-01“ išmeskite su įprastinėmis namų ūkio atliekomis.

„Silver Ion SI-01“ negalima naudoti ilgiau nei nurodyta.

Filtrą „Silver Ion SI-01“ galite užsisakyti mūsų internetinėje parduotuvėje adresu [www.cleanairoptima.com](http://www.cleanairoptima.com)

## Aromaterapija

### Kvapų funkcijos aktyvinimas:

- Ištraukite kvapų dėklą.
- Ant kempinės užlašinkite 5–10 lašų „Clean Air Optima<sup>®</sup>“ eterinio aliejaus.
- Įdėkite kvapų dėklą atgal.
- Kai įjungsite oro drėkintuvą, bus suaktyvinama kvapų funkcija.
- Jei norite ją išjungti arba jei ilgesnį laiką nenaudosite prietaiso, išimkite kvapų kempinę iš skyrelio ir išplaukite ją naudodami nedidelį kiekį nestipriai muiluoto vandens. Leiskite kempinei visiškai išdžiūti prieš dėdami ją atgal į kvapų skyrelį. Kvapų kempinę galima naudoti daug kartų.



### Svarbu

Kad galėtumėte džiaugtis geriausiais rezultatais ir gauti kuo daugiau naudos iš ultragarsinio oro drėkintuvo, patariame atidžiai perskaityti toliau pateiktas instrukcijas apie eterinių aliejų naudojimą su ultragarsiniu oro drėkintuvu „CA-606W“.

### Eterinių aliejų naudojimas įrenginyje „CA-606W“

Naudokite mūsų aukštos kokybės eterinius aliejus ir mėgaukitės asmenine aromaterapija! Nuostabiausi kvapų teikiami pojūčiai!

Aukštos kokybės įvairių kvapų eterinių aliejų rasite mūsų prekių asortimente. Jie puikiai tinka ultragarsiniam oro drėkintuvui „CA-606W“ ir buvo specialiai sukurti naudoti su šiuo ultragarsiniu drėkintuvu.



Eterinių aliejų užsakyti galite mūsų internetinėje parduotuvėje, kurios adresas [www.cleanairoptima.com](http://www.cleanairoptima.com)

### Įspėjimas!

Naudojant kitus eterinius aliejus, neskirtus šiam oro drėkintuvui, arba kitokius priedus (pavyzdžiui, kvėpalus ar vandens valymo priemones) galima sugadinti oro drėkintuvą, todėl jų naudoti **NEGALIMA!** Jokiu būdu nedėkite gryną eterinių aliejų ar kitų priedų į vandens bakelį ar vandens dubenį! Netgi dėl mažo kiekio gali būti pažeistas plastikas ir atsirasti įtrūkimų.

Medžiaga nėra skirta naudoti su priedais. Pakanka vieno lašo, kad būtų pažeistas vandens bakelis / dubuo ir prietaisas taptų nebetinkamas naudoti. Prietaisams, sugadintiems naudojant priedus, garantija negalioja.

## Valymas ir priežiūra

Laikydami kelių paprastų priežiūros procedūrų, „Clean Air Optima<sup>®</sup> CA-606W“ drėkintuvu be rūpesčių galėsite naudotis daug metų. Jei jūsų vanduo kietas, jame daug kalcio ir kitų mineralų, po tam tikro laiko įvairūs paviršiai pasidengia baltomis dulkėmis (kalkėmis). Baltos nuosėdos (kalkės) taip pat formuojasi **vandens bakelyje**, ant **keitiklio / PTC šildytuvo** ir vandens talpykloje. Kalkių nuosėdos kenkia **keitiklio / PTC šildytuvo** veikimui ir veiksmingam higieniniam prietaiso drėkinimui.

### Rekomenduojame toliau nurodytas priemones

1. Jeigu prietaisą naudojate kasdien, kartą per savaitę valykite **keitiklį / PTC šildytuvą** ir **vandens bakelį** naudodami „Clean Air Optima<sup>®</sup>“ **valikliu ir kalkių šalinimo priemone**\*
2. Kai tik prireikia papildyti vandens talpyklą, išpilkite likusį vandenį ir pripildykite ją švaraus vandens.
3. Išvalykite visą įrenginį, o kai jo nenaudojate, pasirūpinkite, kad visos jo dalys būtų visiškai sausos.



Specialiai sukurta „Clean Air Optima<sup>®</sup>“ drėkintuvams

- Neagresyvus
- Saugo plastikinius ir keraminius drėkintuvo paviršius
- Bekvapis
- Greitai ir gerai valo bei šalina kalkes
- Biologiškai skaidus

Galite užsisakyti „Clean Air Optima<sup>®</sup>“ **valiklį ir kalkių šalinimo priemonę** mūsų el. parduotuvėje [www.cleanairoptima.com](http://www.cleanairoptima.com).

PTC šildytuvas



Keitiklis

## Keitiklio / PTC šildytuvo ir vandens bakelio valymas

Atjunkite įrenginį nuo elektros tinklo.

Valant ir šalinant kalkes įrenginio negalima naudoti.

Pašalinkite visus užtiškusius „Clean Air Optima<sup>®</sup>“ valiklio ir kalkių šalinimo priemonės likučius nuo paviršių ir įrenginio išorės, naudodami minkštą drėgną šluostę.

1. Įpilkite du kupinus „Clean Air Optima<sup>®</sup>“ valiklio ir kalkių šalinimo priemonės šaukštelius į vandens bakelį (vieną ant keitiklio, o kitą – ant PTC šildytuvo) ir palikite nuo dviejų iki penkių minučių.
2. Atsargiai pašalinkite mineralinį (kalkių) sluoksnį nuo keitiklio ir PTC šildytuvo paviršių, naudodami šepetėlį, medvilninį tamponėlį arba dantų šepetėlį.  
Dėmesio: niekada nenaudokite aštrių arba kietų daiktų keitikliui / PTC šildytuvui valyti.
3. Tuomet pripilkite vandens iki vandens bakelio viršaus ir palikite mažiausiai 30 ir daugiausiai 60 minučių.
4. Vandeniui gerai išskalaukite keitiklį / PTC šildytuvą ir vandens bakelį.
5. Jei vis dar matyti kalkių nuosėdų, rekomenduojame pakartoti valymo ir kalkių šalinimo procesą.
6. Išplaukite vandens talpyklos vidų švelniu plovikliu ir išskalaukite švariu vandeniu.

Išvalius ir pašalinus kalkes, jūsų įrenginys bus higieniškai švarus, be kalkių, bakterijų, virusų ir jį bus galima iš karto naudoti.

### Įsidėmėkite:

valymo ir kalkių šalinimo metu įrenginys turi būti išjungtas / atjungtas nuo elektros tinklo, kad iš ultragarsinio purkštuvo į orą nepatektų rūgštis.

## Trikčių šalinimas

Toliau pateikiamas trikčių šalinimo vadovas, kuris padės išspręsti bet kokias problemas, kurių gali kilti naudojant **Clean Air Optima<sup>®</sup> ultragarsinį drėkintuvą CA-606W**.

Problema	Galima priežastis	Sprendimas
Įrenginys neskleidžia miglos.	Maitinimo laidas neįjungtas į lizdą. Nepaspaustas mygtukas ĮJUNGIMAS / IŠJUNGIMAS. Tuščias vandens bakelis. Bakelyje per mažai vandens.	Įjunkite prietaisą į maitinimo lizdą. Paspauskite mygtuką ĮJUNGIMAS / IŠJUNGIMAS. Į bakelį pripilkite vandens. Bakelį pripildykite vandens.
Migla skleidžia keistą kvapą.	Naujas prietaisas. Vanduo nešvarus arba užsistovėjęs.	Išimkite vandens bakelį, atsukite dangtelį ir palikite išsivėdinti vėsioje vietoje 12 valandų. Išvalykite vandens bakelį ir pripilkite švaraus vandens.
Skleidžiama per mažai miglos.	Vandens dubenyje ir ant keitiklio susikaupė per daug mineralinių nuosėdų. Vanduo per daug nešvarus arba per ilgai buvo bakelyje.	Nuvalykite vandens indą ir keitiklį: <b>„Clean Air Optima<sup>®</sup>“ valiklį ir kalkių šalinimo priemonę „2 viename“</b> . Išvalykite vandens bakelį ir pripilkite švaraus vandens.
Prietaisas dirba triukšmingai.	Vandens bakelis įdėtas netinkamai. Bakelyje per mažai vandens. Prietaisas pastatytas ant nestabilaus paviršiaus.	Tinkamai įdėkite vandens bakelį ant pagrindo. Pripildykite vandens bakelį. Prietaisą pastatykite ant stabilaus ir lygaus paviršiaus.
Migla skleidžiama iš srities aplink purkštuką.	Yra tarpų tarp korpuso aplink purkštuką ir vandens bakelio viršaus.	Nuimkite purkštuką nuo vandens bakelio viršaus ir nuvalykite drėgna šluoste. Iš naujo uždėkite ant vandens bakelio.

*Jei jūsų vanduo labai kietas (jame neįprastai daug mineralų), iš drėkintuvo gali būti skleidžiamos baltos dulkės. Tai nėra gedimas. Sprendimas – dažniau valyti vandens filtrą „W-01W“ arba naudoti minkštesnį vandenį, pavyzdžiui, distiliuotą. Galime rekomenduoti „Clean Air Optima“ oro valytuvus, daugiau informacijos apie juos rasite mūsų internetinėje svetainėje [www.cleanairoptima.com](http://www.cleanairoptima.com)*

## ĮSPĖJIMAS!

Jei pirmiau rekomenduojami sprendimai nepadeda, susisieki su „Clean Air Optima“ techninės pagalbos skyriumi jūsų regionui skirtu telefono numeriu. Nebandykite išmontuoti, iš naujo surinkti ar taisyti prietaiso, nes gali būti anuliuota garantija.

## Specifikacijos

Modelis	CA-606W
Tinka patalpoms iki	65 m <sup>2</sup> / 160 m <sup>3</sup> / 699 kvadratinų pėdų
Vardinė įtampa	220–240 V, 50 / 60 Hz
Vardinė galia	25 W – maks. 105 W
Oro drėkinimo galingumas	Min. 120 ml/h – maks. 480 ml/h
Aktyvaus deguonies	<0,05 milijonų
Garso lygis	Tylus ventiliatorius < 25 dB(A)
Matmenys	230 x 150 x 370 mm
Svoris	3,4 kg
Vandens bakelis	5,5 l
Spalva	Balto perlo su tamsinto stiklo vandens bakeliu
Atitinka ES reglamentus	CE, WEEE, RoHS

**Naujausios informacijos apie pakuotės ir prietaiso šalinimą teiraukitės pardavėjo ar savivaldybės.**





## Klientų aptarnavimas

### „Clean Air Optima®“ ultragarsinio drėkintuvo CA-606W garantinis sertifikatas.

Pirkimo data: .....  
Kliento vardas, pavardė: .....  
Adresas: .....  
Telefonas: .....  
El. paštas: .....  
Pardavėjo pavadinimas: .....  
Adresas: .....

1. Užpildykite visą šį garantinį pažymėjimą. Nusiųskite jį savo platintojui kartu su sąskaita faktūra ir prietaisu originalioje pakuotėje, iš anksto apmokėję siuntimo išlaidas. Nepamirškite prie siuntos pridėti grąžinimo pašto išlaidų kvito.

2. Trumpai aprašykite pažeidimą, triktį ar gedimą, taip pat aplinkybes, kaip ši problema iškilo.

Prieš išsiunčiant iš gamyklos, **Clean Air Optima® ultragarsinis drėkintuvas CA-606W** pereina griežtas patikrinimo procedūras. Jei per dvejus metus nuo pirkimo datos dėl gamybos defektų gaminio veikimas ima nebeatitikti specifikacijų, šį garantinį pažymėjimą pateikęs pirkėjas turi teisę į nemokamą remontą ar dalių keitimą (su sąlyga, kad veikimo triktis arba prietaiso ir (arba) jo dalių gedimas įvyko įprastomis naudojimo sąlygomis). Garantija taikoma: visoms dalims, kurioms nustatyti medžiagų ar gamybos defektai. Trukmė: dveji metai nuo pirkimo datos. Ką padarysime: sutaisysime arba pakeisime dalis su defektais.

### Kitos sąlygos

Ši garantija pakeičia bet kokias kitas pareikštas ar numanomas rašytines arba žodines garantijas, įskaitant garantiją dėl tinkamumo prekybai ar konkrečiam tikslui. Maksimalūs gamintojo įsipareigojimai neviršys faktinės gaminio kainos, kurią už jį sumokėjote. Gamintojas jokių atvejų nebus atsakingas už specialiuosius, atsitiktinius, netiesioginius ar kaip pasekmė kilusius nuostolius. Ši garantija netaikoma defektams, atsiradusiems dėl netinkamo ar nepagrįsto naudojimo arba priežiūros, netinkamo surinkimo, nelaimingų atsitikimų, stichinių nelaimių, netinkamo pakavimo ar neleistino manipuliavimo prietaisu, taip pat dėl jo keitimo ar modifikavimo, kaip nustatome vien savo nuožiūra. Jei etiketė su serijos numeriu pašalinama ar sugadinama, ši garantija anuliuojama.

**Jokiu būdu nedėkite grynų eterinių aliejų ar kitų priedų į vandens bakelį ar vandens dubenį! Netgi dėl mažo kiekio gali būti pažeistas plastikas ir atsirasti įtrūkimų.**

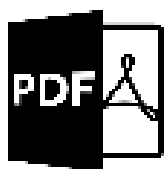
# Dėkojame, kad perskaitėte!



Pasidalykite savo mintimis apie „Clean Air Optima®“ ultragarsinį drėkintuvą „CA-606W“ adresu: [www.cleanairoptima.com](http://www.cleanairoptima.com)



Dažnai užduodamus klausimus apie „CA-606W“ rasite svetainėje [www.cleanairoptima.com](http://www.cleanairoptima.com) ieškodami „CA-606W“.



Atsisiųskite instrukcijas PDF formatu svetainėje: [www.cleanairoptima.com/info/manuals](http://www.cleanairoptima.com/info/manuals)

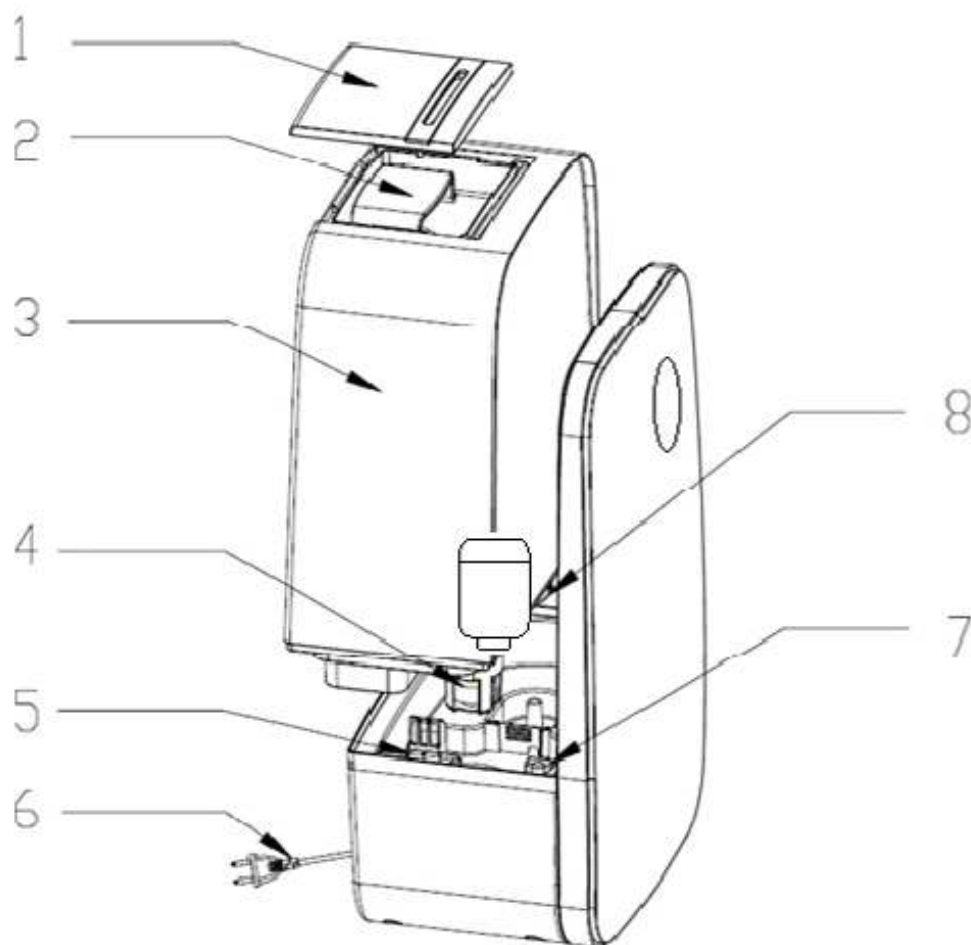


Visus „Clean Air Optima®“ animuotus vaizdo įrašus apie produktus galite peržiūrėti svetainėje [www.youtube.com](http://www.youtube.com)

**Clean Air Optima International B.V.** | David Ricardostraat 9-7 / 9-9 | 7559 SH Hengelo (ov)  
Nyderlandai | Telefonas: +31 (0) 74 - 2670145

„Clean Air Optima Germany GmbH“ | Enschedestraße 14 | 48529 Nordhorn | Telefonas  
Vokietijoje: +49 (0) 5921 879-121

## CA-606W / Põhiüksus



## Eesti

### Täname teid ultraheli-õhuniisutaja Clean Air Optima<sup>®</sup> Ultrasonic Humidifier CA-606W ostmise eest.

Loodame, et see tõhus ja energiasäästlik toode varustab teid palju aastaid tervisliku siseõhuga.

Kasutamisel kehtivad ohutusnõuded on kirjas käesolevas juhendis. Nende eesmärk on vältida kehavigastusi ja seadme kahjustamist.

### Seadme kirjeldus

Seade koosneb järgmistest põhikomponentidest:

1. Uduotsak
2. Käepide
3. Veepaak
4. Ujuk
5. Lõhnakarp
6. Toitekaabel
7. PTK-kütteelement
8. Veepaagi kaas ja filter

## Ohutushoiatused

Seadet tohib kasutada ainult kooskõlas nende ohutusjuhistega. Järgmiste ohutusnõuete järgimine on vajalik, et vältida kehavigastusi, näiteks elektrilöögi või põlengu tulemusel.

1. Kasutamiseks ainult siseruumis. Seadme kasutamine või hoiustamine välitingimustes on keelatud.
2. Kasutage õiget pinget: 220 V-240 V, 50/60Hz
3. Seesmine ultraheliandur on väga tundlik. Ärge puudutage seda palja sõrmega ega kraapige metalltööriistaga, sest vastasel juhul niisutusvõimsus väheneb. Kasutage selle ümbruse puhastamiseks väikest puhastusharja, vatitikku või hambaharja. Ärge kasutage kuumat vett, kuna see võib õhuniisutaja osi kahjustada.
4. Seadet ei tohi kasutada lapsed või füüsilise, taju- või vaimupuudega inimesed, välja arvatud siis, kui nad teevad seda ohutuse eest vastutava isiku järelevalve all.
5. Lapsed tuleks eemal hoida, välja arvatud juhul, kui nad on pideva järelevalve all.
6. Seadme ohutuks kasutamiseks asetage see kindlasse horisontaalasendisse. Ärge liigutage seadet kasutamise ajal.
7. Seadet ei tohi paigutada arvutitele, teleritele, raadiotele ega muudele elektroonikaseadmetele lähemale kui 1 meeter, sest muidu juhul võib see nende talitlust häirida ja neid kahjustada.
8. Ärge kasutage seadet, kui toitekaabel või seade ise on nähtavalt kahjustatud. Ärge üritage kahjustatud seadet ise remontida. Seadet ei tohi kunagi toitekaablist tõmmata. Kui toitekaabel on vigastatud, peab selle välja vahetama volitatud hooldustehnik, sest vastasel juhul võib tulemuseks olla elektrilöök või põleng.
9. Remonditöid tohivad teha ainult volitatud hooldustöötajad. Elektrilöögi või põlengu ennetamiseks ärge üritage seadet ise remontida.
10. Eemaldage alati pistik stepslist, kui seadet ei kasutata või kui te puhastate selle sisemisi või välimisi osi.
11. Enne seadme liigutamist eemaldage veepaak.
12. Kasutage ainult seadme komplekti kuuluvaid toitekaableid.
13. Ärge kasutage seadet ruumis, kus hoitakse kergestiüttivaid vedelikke või gaase, soojusallikate läheduses ega niiskes ruumis, näiteks vannitoas, duširuumis või ujulas.
14. Tõrgete vältimiseks ärge kunagi pange seadmesse võõrkehi.
15. Ärge kunagi demonteerige või asendage seadme siseosi.
16. Värvimuutuste vältimiseks ärge asetage seadet otsese päikesevalguse kätte.
17. Ärge kunagi kastke seadet vette või muudesse vedelikesse.
18. Ärge puudutage toitejuhet märgade kätega.
19. Ärge puudutage sooja udu lähedalt.
20. Enne seadme hoiulepanemist puhastage ja kuivatage see (muu hulgas eemaldage seadme sisemusest kogu vesi). Hoidke seadet jahedas ja kuivas kohas laste käeulatusesst väljas.
21. Ärge puhastage veeanumat, kui vesi on veel kuum.
22. Järgige seadme kasutamisel, hooldamisel ja puhastamisel käesoleva juhendi juhiseid.

## Kasutusjuhend

Enne alustamist eemaldage Clean Air Optima<sup>®</sup> CA-606W karbist ja laske sellel vähemalt 30 minutit toatemperatuuril seista, eriti kui tõite selle tuppa külma õhu käest. Asetage seade kindlale tasasele veekindlale pinnale ligikaudu 60 cm kõrgusele põrandast ja vähemalt 20 cm kaugusele seinast.

CA-606W on mõeldud kasutamiseks temperatuurivahemikus 5-40 °C ja suhtelisel õhuniiskusel alla 80%.

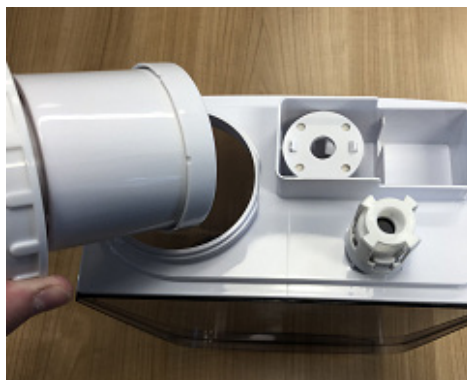
Alustamiseks haarake veepaagi ülaosas olevast **käepidemest** ja tõstke paak aluselt.

Järgmiseks keerake paak ümber ning keerake lahti ning eemaldage **veepaagi kaas ja filter**.

### Käepide



### Veepaagi kaas ja filter



### Veekraan täitmiseks



Seejärel pange veepaak täitmiseks **veekraani alla**, hoides veepaagi all olevast käepidemest. Täitke paak kraaniveega (või muu puhta veega, mille temperatuur on alla 40 °C) ning pange kaas ja filter tagasi. Pange veepaak uuesti õigetpidi. Kontrollige, et veevann oleks puhas, ning asetage veepaak ettevaatlikult tagasi alumisele korpusele.

Oodake mõni sekund, kuni vesi hakkab veepaagi kaanest veevanni voolama. Õhk siseneb veepaaki mullitamisheliga. Pange toitejuhtme pistik sobivasse pistikupessa; kõlab helisignaali, mis tähendab, et teie seade on ooterežiimil.



## Toitenupp

Vajutage õhuniisutaja sisselülitamiseks **toitenuppu**. Seade töötab nüüd käsitsirežiimis. Sellest eraldub korrapäraselt jahedat udu joana, mille tugevus on vaikumisi keskmine.



## Käsitsinupp

Käsitsinupuga **Manual** saab seadistada udujoa tugevust (nõrk, keskmine, tugev). Udukogus on saadaval kolmel tasemel.



## Lapselukk

Lapselukk takistab seadme soovimatut kasutamist.

**Lapseluku** sisse-/väljalülitamiseks tuleb vajutada nuppu **Manual** 3 sekundi jooksul.

Kui lapselukk on sisse lülitatud, kuvatakse ekraanil  punane lukuikoon.



## Niisutamisevõimsuse nupp

Nupu **Humidity** vajutamisel saate valida soovitud õhuniiskuse taseme, vajutades seda nuppu korduvalt, kuni kuvatakse soovitud õhuniiskuse tase (40% kuni 80% sammuga 5%). Kui kuvatakse soovitud õhuniiskuse taset, siis ärge vajutage nuppu rohkem, misjärel õhuniiskuse tase salvestub.

Kui ruumi õhuniiskus saavutab seadistatud taseme, läheb seade automaatselt unerežiimi. Kui ruumi tegelik õhuniiskus langeb seadistatud tasemest madalamale, hakkab seade uuesti udu tootma.



## Režiim Auto (automaatrežiim)

Automaatrežiimi aktiveerimisel hoiab seade suhtelise õhuniiskuse vahemikus 55% kuni 68%, seade valib ise udutaseme.

Automaatrežiimi lülitab sisse / välja niiskuse nupp 3 sekundit.



## Nupp Negative Ion (Negatiivsed ioonid)

Negatiivsete ionide nupu **Negative Ion** vajutamisel aktiveeritakse negatiivsete ionide generaator koguvõimsusega > 3 000 000 negatiivset iooni / cm<sup>3</sup>, mis levivad kogu ruumis ning seega neutraliseerivad saasteaineid ja lõhnu. Negatiivsed ioonid kinnituvad õhus olevate tolmuosakeste, mikroorganismide ja muude soovimatute osakeste külge ning ühendavad need üksteisega. Nii muutuvad osakesed õhust raskemaks ja langevad maha, nii et te ei saa neid enam sisse hingata.

Negatiivseid ioone leidub enim metsas, mägedes ja mere ääres. Negatiivsed ioonid tagavad värsket ja tervislikku õhu.



## Taimerinupp TIMER

Taimerinupu **Timer** vajutamisel saate seadistada taimeri. Taimer loeb maha aega õhuniisutaja automaatse väljalülitumiseni. Taimeri seadistamiseks vajutage seda nii mitu korda, kui mitu tundi seade peaks töötama. Taimeri saab seadistada 1–12 tunniks. Taimer loeb seadistatud aega maha; kui näiduks saab 00:00, lülitub seade välja.



## Režiim Sleep (Uni)

Kui unerežiim on aktiveeritud, lülitub ekraan 10 sekundi jooksul välja. Põleb ainult unerežiimi tuli. Režiim Sleep sisse-/väljalülitamiseks tuleb vajutada nuppu Taimerinupp 3 sekundi jooksul.



## Küttenupp Heating

Nupu **Heating** vajutamisel aktiveeritakse sooja udu funktsioon, mida tähistavad LED-ekraanil kolm lainelist vertikaaljoont. Vett kuumutab veevannis PTK-kütteelement ning bakterite (Legionella) tõhusaks hävitamiseks kuumutatakse seda üle 65 kraadi. Vee kuumutamine muudab väljuva udu peenemaks, et niisutus oleks kiirem ja tõhusam.

## Automaatne väljalülitus, kui veepaak on tühi

Kui veepaak saab tühjaks, kõlab kolmekordne helisignaali. Ekraanil süttib vastav sümbol ning ülejäänud näidikud samal ajal kustuvad. Seade lõpetab õhu niisutamise automaatselt.



Sel juhul lülitage seade toitenupust välja.

Laske seadmehel enne veepaaki vee lisamist maha jahtuda.

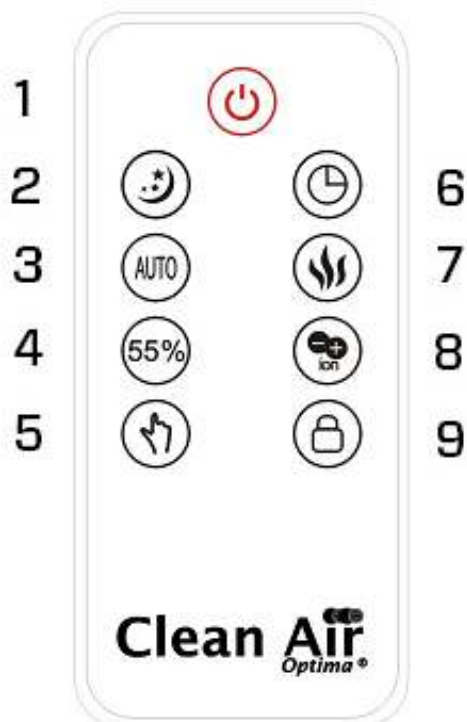
**Ettevaatust!** Seade ja udustamiskambris (veevann) olev vesi võivad olla väga kuumad. Kui tõstate seadet või eemaldate veepaagi kohe pärast töötamist, on teil oht saada kuuma veega põletada!

Veenduge, et veepaak oleks kogu aeg täielikult uuesti täidetud.

## Kaugjuhtimispult

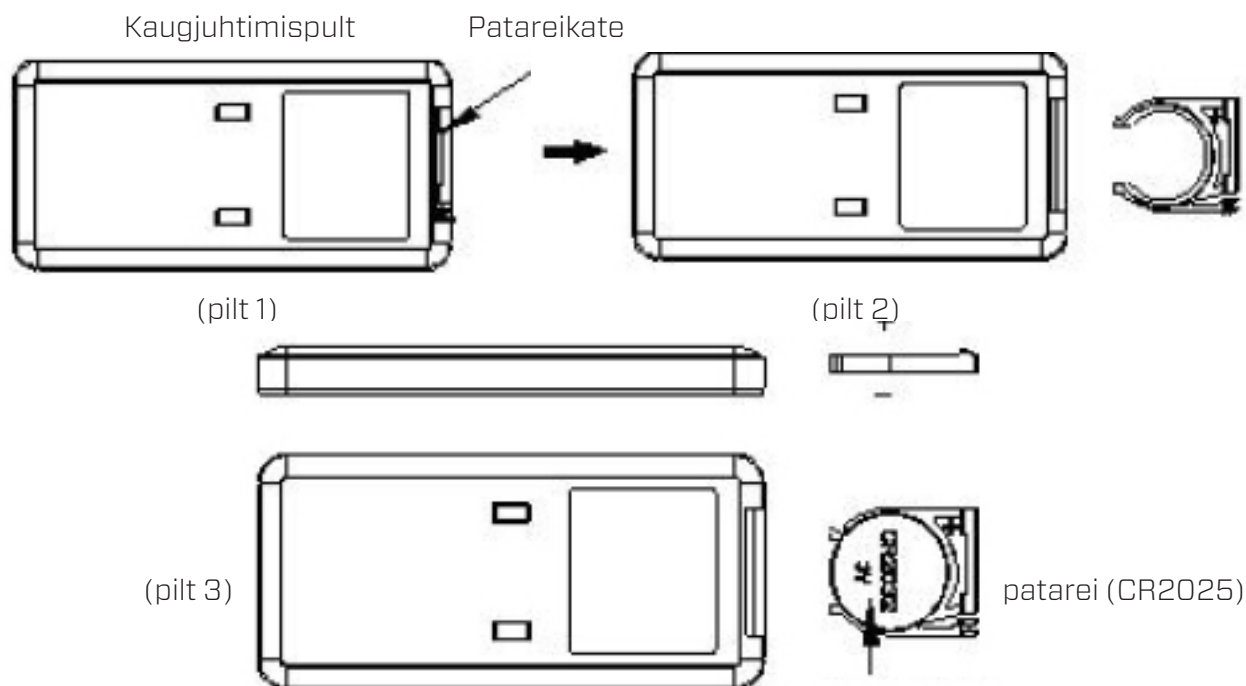
### Teie kaugjuhtimispuldi nupud

1. ON/OFF (SEES/VÄLJAS)
2. Režiim Sleep (Uni)
3. Režiim Auto (automaatrežiim)
4. Soovitud õhuniiskus
5. Min. / Maks.
6. Taimer
7. Kuumutus
8. Negatiivsed ioonid
9. Lapselukk



### Kaugjuhtimispuldi patareide vahetamine

1. Patarei paigaldamiseks avage kaugjuhtimispuldi tagaküljel olev patareikate. (Vaadake ülalolevat pilti 1)
2. Patarei paigaldamine: kaugjuhtimispuldi alaosas on turvasakk, mida peate kõigepealt paremale libistama ning seejärel tõmbama patareihooldikust välja. (Vaadake ülalolevat pilti 2) Sisestage patarei õige poolsusega. (Vaadake ülalolevat pilti 3)
3. Vajutage patareikate kaugjuhtimispuldile tagasi.





## Seadme Clean Air Optima® veefiltri W-01W ettevalmistamine

**Veefilter W-01W** vähendab vee katlakivisisaldust ning katlakiviosakeste soovimatut sattumist toaõhku. Toimib üks kuni kolm kuud, olenevalt vee karedusest. **Veefilter W-01W** sisaldab ka nanohõbedat, et vältida bakterite paljunemist ja lõhnade tekkimist vees, nii et ultraheli-õhuniisutaja saaks pihustada tuppa hügieenilist veeudu. Kare kraanivesi kiirendab sademega küllastumist, nii et **veefilter W-01W** tuleb kiiremini välja vahetada.

1. Loputage **veefiltrit W-01W** 2 minuti jooksul külma voolava kraanivee all.



2. Kruvige **veefilter W-01W** veepaagi kaanele.

### Vee kareduse kindlaksmääramine

1. Kastke kaasasolev testriba 1 sekundiks külma vee klaasi.



2. Ühe minuti pärast lugege vee kareduse testriba.
3. Tabeli abil saate määrata kindlaks **veefiltri W-01W** tööea.

■ ■ ■ ■ ■	= 3 kuud
■ ■ ■ ■ ■	= 3 kuud
■ ■ ■ ■ ■	= 2 kuud
■ ■ ■ ■ ■	= 2 kuud
■ ■ ■ ■ ■	= 1 kuu
■ ■ ■ ■ ■	= 1 kuu

Kõrvaldage küllastunud **veefilter W-01W** koos oma tavapäraste olmejäätmetega.

**Veefiltrit W-01W** ei tohiks ettenähtust kauem kasutada.

Saate **veefiltreid W-01W** tellida meie internetipoest aadressil [www.cleanairoptima.com](http://www.cleanairoptima.com)

## Aroomiteraapia

### Aroomifunktsiooni aktiveerimine

- Eemaldage aroomikarp hoidikust.
- Valage 5-10 tilka eeterlikku õli Clean Air Optima<sup>®</sup> käsnalesse.
- Pange aroomikarp hoidikusse tagasi.
- Kui lülitate oma õhuniisutaja sisse, aktiveeritakse aroomifunktsioon.
- Kui soovite aroomifunktsiooni desaktiveerida või kui seadet pikema aja jooksul ei kasutata, eemaldage aroomikäsna lahtrist ja peske seda vähese õrna seebi veega. Laske sellel enne aroomilahtrisse tagasipanemist täielikult kuivada. Aroomikäsna on põhimõtteliselt taaskasutatav.



### Oluline

Selleks et saavutaksite parima tulemuse ja saaksite oma ultraheliniisutajat võimalikult palju nautida, soovitame teil hoolikalt lugeda järgmisi juhiseid eeterlike õlide kasutamise kohta ultraheli-õhuniisutajas CA-606W.

### Eeterlike õlide kasutamine õhuniisutajas CA-606W

Kasutage meie kvaliteetseid eeterlikke õlisid ja nautige kodust aroomiteraapiat!

Parimad aroomikogemused!

Meie valikust leiab kvaliteetseid paljude erinevate lõhnadega eeterlikke õlisid.

Need spetsiaalsed eeterlikud õlid sobivad täiuslikult ultraheli-õhuniisutajasse CA-606W ning need on spetsiaalselt välja töötatud selles ultraheli-õhuniisutajas kasutamiseks.



Saate **aroomiõlisid** tellida meie internetipoest aadressil [www.cleanairoptima.com](http://www.cleanairoptima.com)

### Hoiatus!

Muude eeterlike õlide või lisandite kasutamine (nt lõhnaained ja veepuhastustooted), mis ei ole selle õhuniisutaja jaoks loodud, võib seadet kahjustada ja neid EI tohi kasutada!

**Ärge kunagi pange veepaaki või veevanni muid lisanditeta eeterlikke õlisid ega muid lisandeid! Isegi minimaalne kogus võib plastikut kahjustada ja pragusid põhjustada.**

Materjal ei ole mõeldud lisandite kasutamiseks. Ühest tilgast piisab veepaagi/veevanni ja seadme kahjustamiseks. Lisandite tõttu tekkinud kahjustused ei kuulu garantii alla.

## Puhastamine ja hooldamine

Selleks et teie õhuniisuti **Clean Air Optima<sup>®</sup> CA-606W** töotaks aastaid probleemideta, piisab sellest, kui järgite mõnda lihtsat hooldustoimingut. Kui vesi on kare ehk sisaldab palju kaltsiumit ja muid mineraalaineid, siis koguneb aja jooksul ruumi pindadele valget tolmu (katlakivi). Valge sete (katlakivi) tekib ka **veenõusse, andurile/PTK-kütteelemendile** ja veepaaki. Katlakivi takistab **anduri/PTK-kütteelemendi** tööd ja seadme hügieenilist õhu niisutamise toimet.

### Soovitame järgmist

1. Kui kasutate seadet iga päev, puhastage **andurit/PTK-kütteelementi** ja **veenõud** kord nädalas **Clean Air Optima<sup>®</sup> puhasti ja katlakivieemaldiga**.\*
2. Kui veepaak tuleb täita, siis valage järelejäänud vesi paagist välja ja täitke see värske veega.
3. Enne seadme hoiulepanemist puhastage see ja laske kõigil osadel täielikult kuivada.



Spetsiaalselt välja töötatud õhuniisutitele **Clean Air Optima<sup>®</sup>**.

- Mitteagressiivne
- Kaitseb õhuniisuti plast- ja keraamilisi materjale
- Neutraalse lõhnaga
- Puhastab ning eemaldab katlakivi kiirelt ja põhjalikult
- Biolagunev

Saate **Clean Air Optima<sup>®</sup> puhasti ja katlakivieemaldi** tellida meie internetipoest [www.cleanairoptima.com](http://www.cleanairoptima.com).

PTK-kütteelement



Anduri

## Anduri/PTK-kütteelemendi ja veenõu puhastamine

Lahutage seade toitevõrgust.

Seadet ei tohi puhastamise ja katlakivi eemaldamise ajal kasutada.

Eemaldage **Clean Air Optima<sup>®</sup> puhasti ja katlakivieemaldi** pritsmed tööpinnalt või seadme välisküljelt pehme niiske lapiga.

1. Valage kaks korgitait **Clean Air Optima<sup>®</sup> kaks-ühes puhastit ja katlakivieemaldit** veenõusse (üks **anduri** pinnale ja üks **PTC-kütteelemendile**) ning jätke kaheks kuni viieks minutiks seisma.
2. Eemaldage mineraalainete (katlakivi) kiht ettevaatlikult **anduri** ja **PTC-kütteelemendi** pinnalt pintsliga, vatitiku või hambaharjaga. Ettevaatust! Ärge kasutage anduri/PTC-kütteelemendi puhastamiseks teravat ega kõva eset.
3. Seejärel lisage vett kuni **veenõu** ääreni ja jätke vähemalt 30–60 minutiks seisma.
4. Loputage **andurit/PTC-kütteelementi** ja **veenõud** põhjalikult veega.
5. Kui katlakivijääke on ikka näha, soovitame puhastamist ja katlakivieemaldust korrata.
6. Puhastage **veepaagi** sisemus õrnatoimelise puhastusvahendiga ja loputage puhta veega.

Pärast puhastamist ja katlakivieemaldust on seade hügieeniliselt puhas, vaba katlakivist, bakteritest ja viirustest ning kohe uuesti kasutusvalmis.

### NB!

Puhastamiseks ja katlakivieemalduseks peab seade olema välja lülitatud / toitevõrgust lahutatud, et ultrahelipihustamise tõttu ei eralduks õhku aerosoolide kaudu hapet.

## Veaotsing

Järgmine veaotsingujuhend aitab lahendada ultraheli-õhuniisutaja **Clean Air Optima® Ultrasonic Humidifier CA-606W** kasutamisel tekkida võivaid probleeme.

Probleem	Võimalik põhjus	Lahendamine
Udu ei pihustata.	Toitejuhe pole pistikupesas. Toitenupp pole aktiveeritud. Veepaak on tühi. Paagis pole piisavalt vett.	Ühendage seade vooluvõrku. Vajutage toitenuppu. Täitke paak veega. Täitke paak uuesti veega.
Udul on imelik lõhn.	Uus seade. Vesi on kas saastunud või liiga kaua seisnud.	Eemaldage veepaak, keerake kaas lahti ja laske paagil 12 tundi jahedas tuulduda. Puhastage veepaak ja täitke puhta veega.
Udujuga on liiga nõrk.	Veevannis ja anduril on liiga palju katlakivi. Vesi on saastunud või liiga kaua paagis seisnud.	Puhastage veekogu ja andurit järgmiselt: <b>Clean Air Optima® puhasti ja katlakivieemaldiga.</b> Puhastage veepaak ja täitke see uuesti puhta veega.
Seade tekitab müra.	Veepaak pole korralikult paigaldatud. Veepaagis pole piisavalt vett. Seade on ebastabiilsel pinnal.	Paigutage veepaak korralikult alusele. Valage veepaaki uuesti vett. Asetage seade kindlale horisontaalpinnale.
Pritsmed väljuvad uduotsaku ümbert.	Uduotsaku ja veepaagi pealispinna vahel on tühimikud.	Eemaldage uduotsak veepaagi pealt ja puhastage niiske lapiga. Kinnitage uuesti veepaagile.

*Väga kareda (mineraalaineterikka) vee korral võib õhuniisutajast väljuda valget tolmu. Põhjuseks ei ole rike. Lahenduseks võib olla veefiltri W-01W sagedasem vahetamine või pehmema vee, näiteks destilleeritud vee kasutamine. Saame ka soovitada pesureid Clean Air Optima Air; lisateavet saate meie internetipoest aadressil [www.cleanairoptima.com](http://www.cleanairoptima.com)*

## HOIATUS!

Kui ülal soovitatud lahendused ei tööta, helistage oma piirkonna Clean Air Optima tehnilise toe telefoninumbrile. Ärge üritage seadet lahti võtta, uuesti kokku panna ega remontida, kuna sel juhul võib kaotada garantii kehtivuse.

## Tootekirjeldused

Mudel	CA-606W
Ruumidele suurusega kuni	65 m <sup>2</sup> / 160 m <sup>3</sup> / 699 ft <sup>2</sup>
Nimipinge	220 V - 240 V, 50/60 Hz
Nimivõimsus	30 W - kuni 105 W
Õhuniisutusvõimsus	Väh. 120 ml/h - kuni 480 ml/h
Aktiivne hapnik	<0,05 ppm
Müratase	Vaikne ventilaator < 25 dB(A)
Mõõtmed	230 x 150 x 370 mm
Kaal	3,4 kg
Veepaak	5,5 l
Värv	Pärlvalge, suitsuklaasist veepaagiga

Vastab ELi määrustele CE / WEEE / RoHS

**Pakendi ja seadme kõrvaldamise kohta küsige ajakohast teavet seadme müüjalt või kohalikust omavalitsusest.**



## Remont

### Ultraheli-õhuniisutaja Clean Air Optima® Ultrasonic Humidifier CA-606W garantiitunnistus.

Ostmiskuupäev: .....

Kliendi nimi: .....

Aadress: .....

Telefon: .....

E-posti aadress: .....

Müüja nimi: .....

Aadress: .....

1. Täitke garantiitõendi kõik väljad. Saatke see koos ostukviitungi ja seadmega originaalpakendis jaemüüjale, kellelt seadme ostsite, makstes postitasu ise ette. Lisage kindlasti paki tagastamiseks vajalik summa.
2. Lisage lühike kirjeldus kahjustusest, rikkest või tõrkest ja probleemi tekkimise asjaoludest.

Ultraheli-õhuniisutaja **Clean Air Optima® CA-606W** läbib enne tehases väljumist range kvaliteedikontrolli. Kui tootel ilmneb 2 aasta jooksul pärast ostukuupäeva rike, mille põhjuseks on tootmisdefekt, siis on ostjal garantiitõendi esitamisel õigus toote tasuta parandamisele või selle osade asendamisele (tingimuse et seadme ja/või selle osade rike või kahjustus tekkis tavapärasel kasutamisel). Millele garantii kehtib: kõigi osade materjali- ja koostedefektid. Kui kaua: kaks aastat pärast ostmiskuupäeva. Mida me teeme: remondime või asendame defektsed osad.

### Muud tingimused

Käesoleva garantii tingimused asendavad kõik muud kirjalikud ja suulised sõnaselged ja kaudsed garantiid, sh kaubastatavuse ja kindlaks otstarbeks sobivuse garantiid. Tootja vastutus ei ületa mingil juhul toote eest makstud ostuhinda. Erandlike, kaasnevate, ettenägematute ja kaudsete kahjude eest tootja ei vastuta. Garantii ei kehti defektidele, mille põhjuseks on vale või hooletu kasutamine või hooldamine, vale kokkupanemine, õnnetusjuhtum, looduskatastroof, vale pakendamine või loata lahtivõtmine, muutmise või modifitseerimine, kusjuures sellised asjaolud teeme kindlaks meie ainuisikuliselt. Kui seerianumbriga silt on eemaldatud või rikutud, siis garantii ei kehti.

**Ärge kunagi pange veepaaki või veevanni muid lisanditeta eeterlikke õlisid ega muid lisandeid! Isegi minimaalne kogus võib plastikut kahjustada ja pragusid põhjustada.**

# Täname teid lugemise eest.



Andke tagasisidet ultraheli-õhuniisutaja Clean Air Optima®  
Ultrasonic Humidifier CA-606W kohta veebisaidil  
[www.cleanairoptima.com](http://www.cleanairoptima.com)



Korduma kippuvaid küsimusi CA-606W kohta otsige veebisaidilt  
[www.cleanairoptima.com](http://www.cleanairoptima.com) märgusõnaga „CA-606W”.



PDF-vormingus kasutusjuhendi saab alla laadida veebisaidilt  
[www.cleanairoptima.com/info/manuals](http://www.cleanairoptima.com/info/manuals)



Kõiki Clean Air Optima® tooteanimatsioonide  
videoid saate vaadata veebisaidil  
[www.youtube.com](http://www.youtube.com)

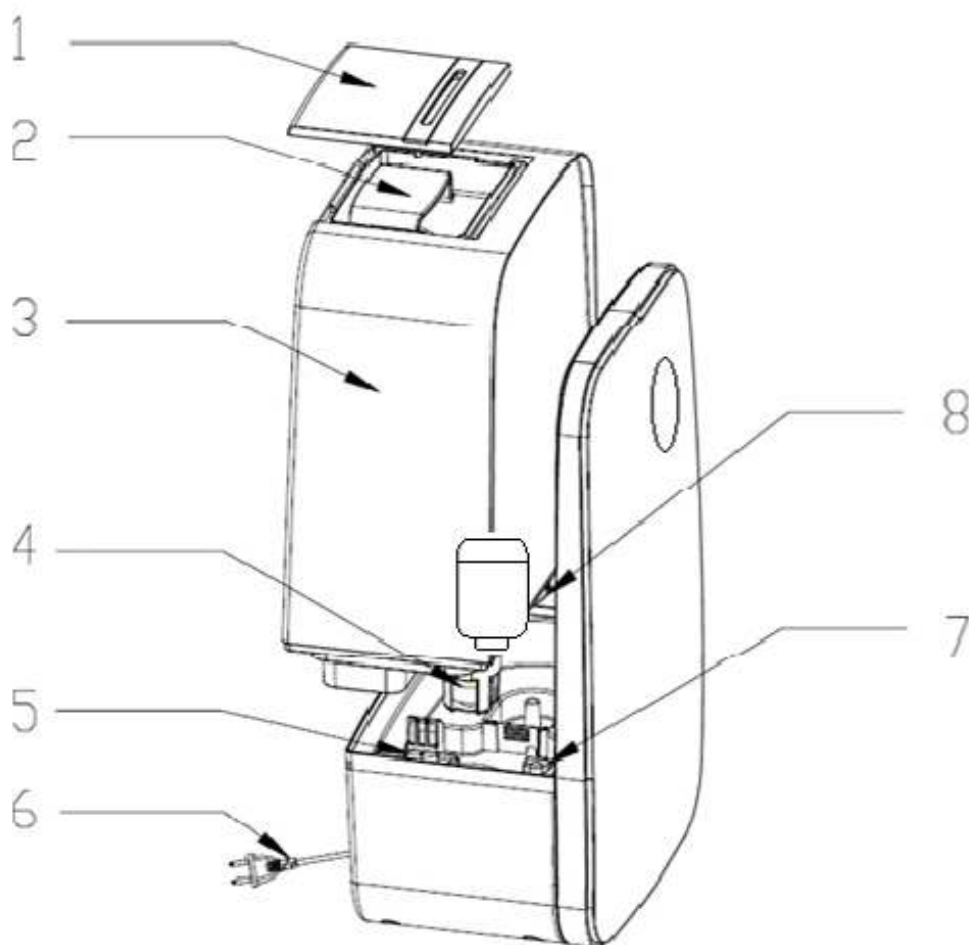
**Clean Air Optima International B.V.** | David Ricardostraat 9-7 / 9-9 | 7559 SH Hengelo (ov)  
The Netherlands | Telefon: +31 (0) 74 - 2670145

**Clean Air Optima Germany GmbH** | Enschedestraße 14 | 48529 Nordhorn | Saksamaa  
Telefon: +49 (0) 5921 879-121

**E-post:** [info@cleanairoptima.com](mailto:info@cleanairoptima.com)

**Internet:** [www.cleanairoptima.com](http://www.cleanairoptima.com)



**CA-606W / Galvenā ierīce****Latviešu valodā**

**Paldies, ka iegādājāties Clean Air Optima® ultraskaņas gaisa mitrinātāju CA-606W.** Ceram, ka varēsīt ilgstoši izbaudīt veselīgu iekštelpu gaisu, pateicoties šim efektīvajam un lietderīgajam izstrādājumam.

Šajā rokasgrāmatā ir sniegti drošības norādījumi, kas jāievēro darbības laikā. Tie ir paredzēti, lai novērstu traumas un izvairītos no ierīces bojājumiem.

**Ierīces apraksts**

Ierīce sastāv no šādām galvenajām komponentēm:

1. Izsmidzināšanas sprausla
2. Rokturis
3. Ūdens tvertne
4. Pludiņš
5. Aromterapijas tvertne
6. Elektrības kabelis
7. PTC sildelements
8. Ūdens tvertnes vāks un filtrs

## Drošības brīdinājumi

Šo ierīci drīkst lietot tikai saskaņā ar šiem drošības norādījumiem. Lai maksimāli samazinātu miesas bojājumu risku, ko varētu izraisīt, piemēram, elektriskās strāvas trieciens vai aizdegšanās, ievērojiet tālāk sniegtos norādījumus.

1. Tikai lietošanai telpās. Nelietojiet un neuzglabājiet ārā.
2. Izmantojiet atbilstošu spriegumu: AC 220V - 240V, 50/60Hz
3. Iekšējais ultraskaņas pārveidotājs ir ārkārtīgi jutīgs. Neaiztikt ar plikiem pirkstiem un neskrāpēt ar metāla rīkiem, pretējā gadījumā samazināsies izsmidzināšanas apjoms. Tīrot šo zonu, izmantojiet nelielu birsti, vates tamponu vai zobu birsti. Neizmantojiet karstu ūdeni, jo tas var bojāt izsmidzināšanas aprīkojumu.
4. Šo ierīci nav paredzēts izmantot bērniem vai personām ar samazinātām fiziskajām, maņu vai garīgajām spējām, izņemot gadījumus, ja šādas personas uzrauga par viņu drošību atbildīga persona.
5. Bērni var uzturēties ierīces tuvumā tikai tad, ja viņus nepārtraukti uzrauga.
6. Ierīces drošai izmantošanai novietojiet to stabilā horizontālā stāvoklī. Nepārvietojiet ierīci lietošanas laikā.
7. Lai novērstu traucējumus un kaitējumu citām elektroniskām ierīcēm, šī ierīce ir novietojama vismaz 1 metra attālumā no datora, televizora, radio vai citām elektroierīcēm.
8. Nelietojiet ierīci, ja konstatējat redzamus elektrības kabeļa vai pašas ierīces bojājumus. Ja radies bojājums, nelabojiet ierīci pats. Nekad nevelciet ierīci aiz kabeļa. Ja elektrības kabelis ir bojāts, tā nomaiņa ir jāveic autorizētam apkopes speciālistam, lai novērstu elektriskās strāvas triecienu vai aizdegšanos.
9. Remontdarbus var veikt tikai pilnvarots apkalpošanas speciālists. Lai izvairītos no elektriskās strāvas trieciena vai aizdegšanās, nemēģiniet pats veikt ierīces remontu.
10. Vienmēr izņemiet kontaktdakšu no ligzdas, kad ierīce netiek izmantota vai kad tīrāt tās iekšējās vai ārējās daļas.
11. Pirms ierīces pārvietošanas izņemiet ūdens tvertni.
12. Izmantojiet tikai komplektācijā iekļautos elektrības kabeļus.
13. Nelietojiet ierīci telpās, kurās tiek glabāti uzliesmojoši šķidrums vai gāzes, tuvu karstuma avotiem vai tādās sevišķi mitrās telpās kā vannasistabās, duša vai baseins.
14. Lai nerastos darbības traucējumi, nekad neievietojiet neparastus objektus ierīcē.
15. Neizjauciet un nomainiet ierīces iekšējās detaļas.
16. Nenovietojiet ierīci tiešos saules staros, lai tās krāsa neizbalētu.
17. Neiemērciet ierīci ūdenī vai citos šķidrumos.
18. Nepieskarieties elektrības kabelim ar mitrām rokām.
19. Tuvu nepieskarieties siltai miglai.
20. Pirms uzglabāšanas iztīriet un izžāvējiet ierīci (tostarp izlejiet no ierīces visu ūdeni). Uzglabājiet ierīci vēsā un sausā vietā bērniem nepieejamā vietā.
21. Netīriet ūdens tvertni, kad ūdens joprojām ir karsts.
22. Lietojiet, uzturiet un tīriet ierīci tā, kā aprakstīts šajā rokasgrāmatā.

## Ekspluatācijas norādījumi

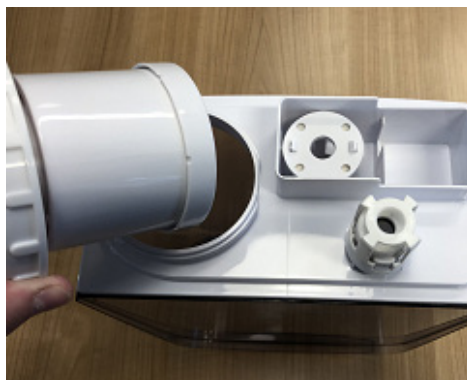
Pirms darba sākšanas Clean Air Optima<sup>®</sup> CA-606W izņemiet no kastes un ļaujiet, lai ierīce vismaz 30 minūtes pielāgojas istabas temperatūrai, īpaši tad ja ierīce ir auksta pēc atrašanās ārā. Novietojiet ierīce uz cietas, līdzenas un frontālas ūdensizturīgas virsmas aptuveni 60 cm augstumā no grīdas un vismaz 20 cm attālumā no sienas.

CA-606W ir paredzēts darbībai temperatūrā no 5 līdz 40 °C pie gaisa mitruma zem 80 %. Vispirms satveriet ūdens tvertni aiz **roktura** augšpusē un izceliet to no pamatnes. Pēc tam apgrieziet tvertni otrādi un atskrūvējiet un noņemiet **ūdens tvertnes vāku un filtru**.

### Rokturis



### Ūdens tvertnes vāks un filtrs



### Krāns uzpildīšanai



Tad novietojiet ūdens tvertni zem **ūdens krāna**, lai to uzpildītu, satverot to aiz roktura ūdens tvertnes apakšā. Uzpildiet tvertni ar krāna ūdeni (vai citu tīru ūdeni, kura temperatūra nepārsniedz 40°C), ievietojiet atpakaļ vāku un filtru. Vēlreiz apgrieziet ūdens tvertni otrādi, līdz tā ir pareizajā virzienā. Pārlicinieties, ka rezervuārs ir tīrs, un tad rūpīgi ievietojiet ūdens tvertni atpakaļ korpusa apakšdaļā.

Uzgaidiet dažas sekundes, līdz ūdens tvertnes vāks sāk izlaist ūdeni rezervuārā. Būs dzirdama burbuļojoša skaņa, gaisam iekļūstot ūdens tvertnē. Kontaktdakšu ievietojiet atbilstošā kontaktligzdā; atskanošais signāls norāda uz to, ka ierīce ir gaidīšanas režīmā.



## Poga Power (iesl/izsl):

Nospiediet **iesl/izsl pogu**, lai iedarbinātu mitrinātāju. Tagad ierīce darbojas manuālā režīmā. Tā nepārtraukti izdalīs vēsu miglu; miglas izsmidzināšanas intensitāte ir automātiski iestatīta uz vidēju.



## Poga Manual (manuālā):

Ar manuālās pogas palīdzību tiek mainīta izsmidzināšanas intensitāte (zema, vidēja, augsta). Pieejamas miglas izvadīšanas 3 intensitātes.



## Bērnu drošības slēdzene:

Bērnu drošības slēdzene aizsargā pret nevēlamu ierīces lietošanu.

**Bērnu drošības slēdzeni** ieslēdz un izslēdz, turot nospiestu **manuālo pogu** 3 sekundes.

Ja bērnu drošības slēdzene ir ieslēgta, sarkanas slēdzenes ikona  tiek attēlota displejā.



## Poga Humidity (mitrums):

Nospiežot **mitruma pogu**, varat atlasīt vēlamo mitruma līmeni, atkārtoti spiežot šo pogu līdz tiek attēlots vēlamais mitruma līmenis (no 40% līdz 80% ar soli 5%). Kad ir atlasīts vēlamais mitruma līmenis, nospiediet pogu un mitruma līmenis būs iestatīts.

Kad mitruma līmenis telpā sasniedz iestatīto mitruma līmeni, iekārta pāriet automātiskā miega režīmā un pārstāj izsmidzināšanu. Kad telpas pašreizējais mitruma līmenis nokrīt zem iestatītā mitruma līmeņa, ierīce atkal sāk izsmidzināšanu.



## Auto mode (automātisks režīms):

Kad ir aktivizēts automātiskais režīms, ierīce saglabā relatīvo mitrumu no 55% līdz 68%, ierīce pati izvēlas miglas līmeni.

Automātisko režīmu ieslēdz / izslēdz mitruma poga 3 sekundes.



## Poga Negative Ion (negatīvie joni):

Nospiežot **negatīvo jonu pogu**, tiks aktivizēts negatīvo jonu ģenerators ar kopēju kapacitāti > 3 000 000 negatīvie joni / cm<sup>3</sup>, kas izplatās visā telpā un tādējādi neitralizē piesārņotājus un smakas. Negatīvie joni piestiprinās pie putekļu daļiņām, mikroorganismiem un citām nevēlamām daļiņām gaisā un tās savstarpēji savieno. Tādējādi daļiņas kļūst smagākas par gaidu un nokrīt uz zemes, lai jūs tās vairāk neieelpotu.

Negatīvie joni pārsvarā ir atrodamī mežā, kalnos un jūras tuvumā. Negatīvie joni nodrošina svaigu un veselīgu gaisu.



## Poga Timer (taimeris):

**Taimera poga** iestata taimeri. Taimera funkcija nosaka, cik stundas darbosies mitrinātājs. Taimeri var iestatīt, vienkārši nospiežot pogu vienu reizi par katru stundu, cik ilgi vēlaties, lai ierīce darbotos. Taimeri var iestatīt no 1 stundas līdz 12 stundām. Laikam ritot, laika vērtība samazinās, līdz sasniedz 00:00, un ierīce izslēdzas.



## Sleep Mode (miega režīms):

Kad tiek aktivizēts miega režīms, displejs izslēgsies 10 sekunžu laikā. Spīd tikai miega režīma spuldzīte.

Sleep Mode (miega režīms) ieslēdz un izslēdz, turot nospiestu Poga Timer (taimeris) 3 sekundes.



## Poga Heating (uzsildīšana):

Nospiežot **uzsildīšanas pogu**, tiek aktivizēta siltās miglas izsmidzināšanas funkcija un LCD displejā tiek attēlota ar trim viļņveida vertikālām līnijām. Rezervuārā ūdeni uzsilda PTC sildelements, un tas tiek uzsildīts līdz vairāk nekā 65 grādiem, lai iznīcinātu efektīvās baktērijas (Legionella). Ūdens sildīšana padara izvadīto miglu smalkāku ātrākai un efektīvākai mitrināšanai.

## Automātiska izslēgšanās, kad ūdens tvertne ir tukša

Ja ūdens tvertne ir tukša, atskan skaņas signāls trīs reizes. Displejā iedegas attiecīgais simbols, kamēr atlikušie indikatori nodziest. Ierīce automātiski pārtrauks mitrināt.

Šādā gadījumā izslēdziet ierīci ar pogu ON/ OFF (iesl/izsl).

Ļaujiet ierīcei atdzist pirms papildu ūdens ieliešanas tvertnē.



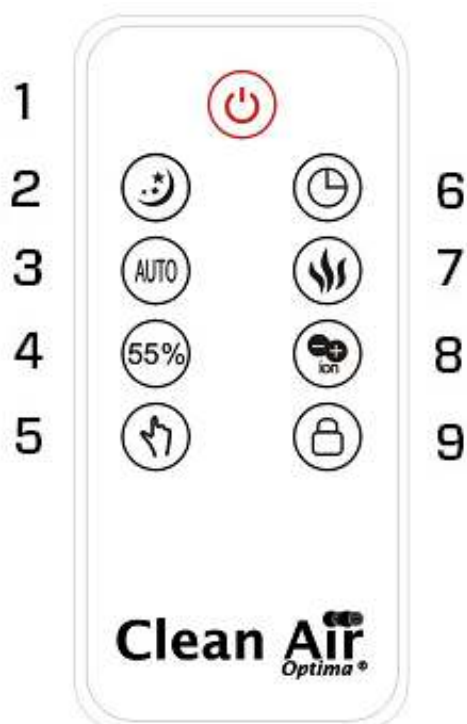
**Uzmanību:** Ierīce un ūdens izsmidzināšanas kamerā (rezervuārā) var būt ļoti karsti. Ja ierīce tiek pacelta vai ūdens tvertne noņemta uzreiz pēc lietošanas, jūs pakļaujat sevi riskam applaucēties ar karstu ūdeni!

Nodrošiniet, lai ūdens tvertne vienmēr būtu pilnībā uzpildīta.

## Tālvadības pulsts

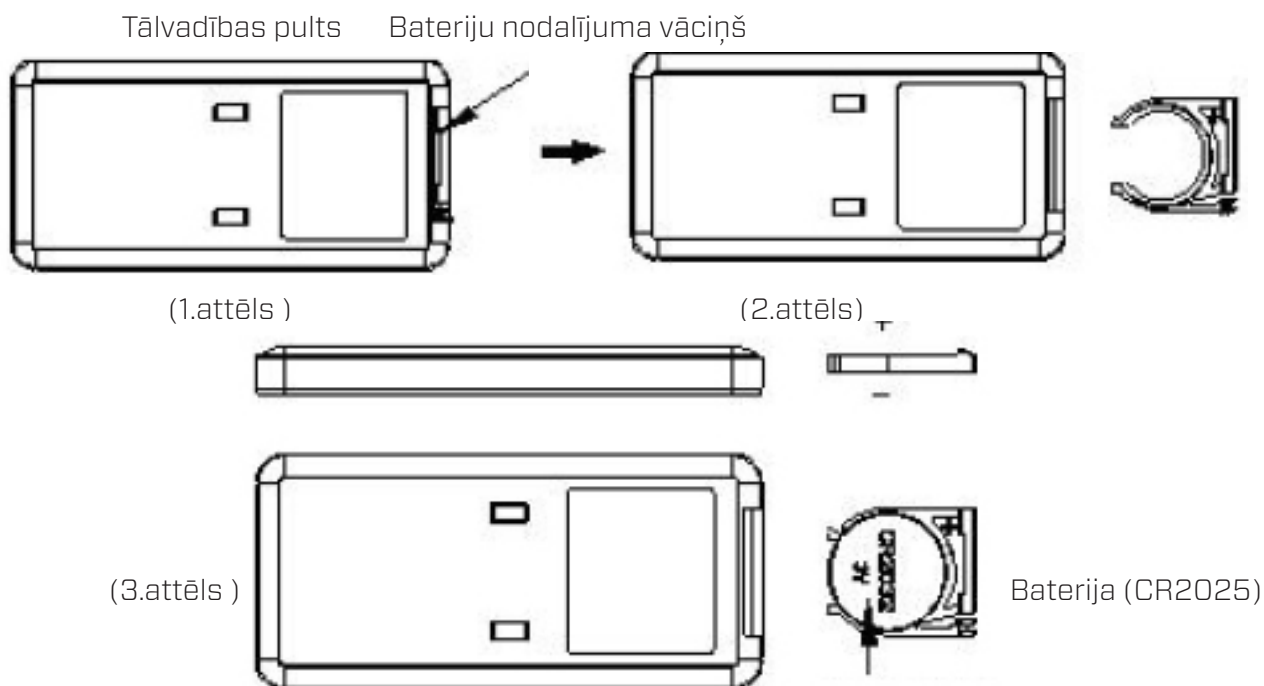
### Tālvadības pulsts pogas:

1. ON / OFF (Iesl. / Izsl.)
2. Sleep mode (miega režīms)
3. Auto mode (automātisks režīms)
4. Desired humidity (vēlamais mitrums)
5. Min. / Max. (Min./maks.)
6. Timer (taimeris)
7. Heating (uzsildīšana)
8. Negative ions (negatīvie joni)
9. Bērnu drošības slēdzene



### Bateriju nomaina tālvadības pultī

1. Tālvadības pulsts aizmugurējā daļā atveriet bateriju nodalījuma vāciņu, lai ievietotu bateriju. (skatīt 1.attēlu).
2. Baterijas ievietošana: tālvadības pulsts apakšējā daļā ir "drošības izcilnis", kas vispirms ir jābīda pa labi un tad jāizvelk baterijas turētājs. (skatīt 2.attēlu). Ievietojiet bateriju, ievērojot pareizu polaritāti. (skatīt 3.attēlu).
3. Bateriju nodalījuma vāciņu ievietojiet atpakaļ tālvadības pultī.



## Clean Air Optima® ūdens filtra W-01W sagatavošana darbam

**Ūdens filtrs W-01W** samazina kaļķa nosēdumu daudzumu ūdenī un nevēlamo kaļķa daļiņu izdalīšanos apkārtējā vidē. Derīgs no viena mēneša līdz trim atkarībā no ūdens cietības. **Ūdens filtra W-01W** sastāvā ir arī nano sudrabs, lai novērstu baktēriju rašanos un ūdens smaku, lai ultraskaņas gaisa mitrinātājs varētu nodrošināt higiēniska ūdens miglas izsmidzināšanu telpā. Ciets krāna ūdens paātrina granulu veidošanos, tāpēc **ūdens filtrs W-01W** ir jāmaina agrāk.

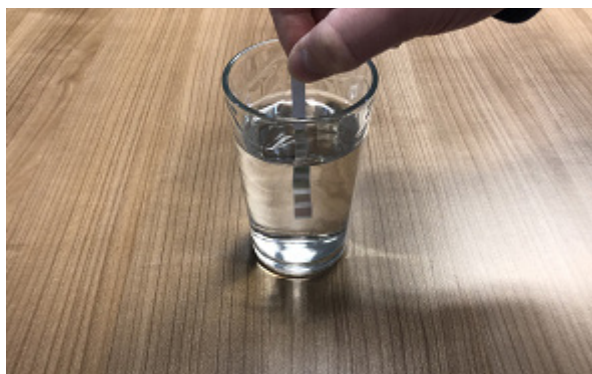
1. Skalojiet **ūdens filtru W-01W** zem augsta tekoša krāna ūdens 2 minūtes.



2. Pieskrūvējiet **ūdens filtru W-01W** pie ūdens tvertnes vāka.

### Ūdens cietības noteikšana:

1. Pievienoto testa loksni iemērciet auksta krāna ūdens glāzē un turiet 1 sekundi.



2. Pēc vienas minūtes nolasiet ūdens cietības testa loksnes rezultātu.
3. Skatiet tabulu, lai noteiktu paredzamo **ūdens filtra W-01W** darbību.

■ ■ ■ ■ ■	= 3 mēneši
■ ■ ■ ■ ■	= 3 mēneši
■ ■ ■ ■ ■	= 2 mēneši
■ ■ ■ ■ ■	= 2 mēneši
■ ■ ■ ■ ■	= 1 mēnesis
■ ■ ■ ■ ■	= 1 mēnesis

Piesātināto **ūdens filtru W-01W** izmetiet savos sadzīves atkritumos.

**Ūdens filtru W-01W** nedrīkst izmantot ilgāk par norādīto termiņu.

Jūs varat pasūtīt **ūdens filtru W-01W** mūsu interneta veikalā [www.cleanairoptima.com](http://www.cleanairoptima.com)

## Aromterapija

### Aromterapijas funkcijas aktivizācija:

- Izņemiet aromterapijas paplāti no balsteņa.
  - Piliņiet Clean Air Optima<sup>®</sup> ēteriskās eļļas 5 - 10 piliens uz sūkļa.
  - Aromterapijas paplāti ievietojiet atpakaļ balstenī.
  - Kad ieslēgsiet gaisa mitrinātāju, tiks aktivizēta aromterapijas funkcija.
  - Ja vēlaties deaktivizēt aromterapijas funkciju vai ja ierīce netiek ilgstoši izmantota, izņemiet aromterapijas sūkli no nodalījuma un izmazgājiet ar nelielu silta ziepjūdens daudzumu. Ļaujiet sūklim pilnībā izžūt pirms tā ievietošanas atpakaļ aromterapijas nodalījumā.
- Pēc būtības aromterapijas sūklis ir vairākkārt lietojams.



### Svarīgi

Lai panāktu vislabākos rezultātus un pēc iespējas vairāk izbaudītu ultraskaņas gaisa mitrinātāja darbību, iesakām rūpīgi izlasīt tālākās instrukcijas attiecībā uz ēterisko eļļu izmantošanu ultraskaņas gaisa mitrinātājā CA-606W.

### Ēterisko eļļu izmantošana CA-606W

Izmantojiet mūsu kvalitatīvās ēteriskās eļļas un izbaudiet savu personīgo aromterapiju! Vislielākais smaržas sajūtu baudījums!

Mūsu klāstā varat atrast kvalitatīvas ēteriskās eļļas ar plašu smaržu izvēli. Tās ir perfekti piemērotas ultraskaņas gaisa mitrinātājam CA-606W un īpaši izstrādātas lietošanai ar šo ultraskaņas mitrinātāju.



Jūs varat pasūtīt **ēteriskās eļļas** mūsu interneta veikalā [www.cleanairoptima.com](http://www.cleanairoptima.com)

### Brīdinājums!

Izmantojot citas ēteriskās eļļas vai citas piedevas (piemēram, smaržas un ūdens attīrīšanas līdzekļus), kas nav paredzētas šim gaisa mitrinātājam, var sabojāt gaisa mitrinātāju un tās **NEDRĪKST** izmantot! ***Nekad nelejiet citas tīras ēteriskās eļļas vai citas piedevas ūdens tvertnē, tas ir, ūdens rezervuārā! Pat neliels daudzums var sabojāt plastmasu un radīt plaisas.*** Materiāls nav paredzēts izmantošanai ar piedevām. Pietiek ar vienu pilienu, lai sabojātu ūdens tvertni/rezervuāru un padarītu ierīci nelietojamu. Garantija neattiecas uz ierīcēm, kuras sabojātas piedevu izmantošanas dēļ.



## Tīrīšana un kopšana

Mitrinātājs **Clean Air Optima<sup>®</sup> CA-606W** var darboties bez problēmām gadiem ilgi, ja tiek ievērotas dažas vienkāršas kopšanas procedūras. Ja ūdens ir ciets, ar augstu kalcija un citu minerālu koncentrāciju, tad laika gaitā uz dažādām virsmām telpā sāks veidoties baltu putekļu (kaļķa) kārtiņa. Balti nosēdumi (kaļķakmens) veidosies arī **ūdens tvertnē**, uz **pārveidotāja/PTC sildelementa** un ūdens rezervuāra iekšpusē. Kaļķakmens nosēdumi pasliktinās **pārveidotāja/PTC sildelementa** darbību un ierīces veiktās higiēniskās mitrināšanas efektivitāti.

### Lūk, ko mēs iesakām

1. Ja ierīci lietojat katru dienu, tīriet **pārveidotāju/PTC sildelementu** un **ūdens tvertni** reizi nedēļā ar **tīrīšanas un atkaļķošanas līdzekli Clean Air Optima<sup>®\*</sup>**.
2. Tiklīdz ūdens rezervuārs ir jāuzpilda, izlejiet atlikušo ūdeni un piepildiet to ar tīru ūdeni.
3. Pilnībā iztīriet ierīci un glabājiet visas tās daļas pilnīgi sausas, kad ierīce netiek lietota.



Īpaši izstrādāts **Clean Air Optima<sup>®</sup>** mitrinātājiem:

- Nav agresīvs
- Aizsargā mitrinātāja plastmasas un keramikas materiālus
- Neitrāla smarža
- Tīra un atkaļķo ātri un tīri
- Bioloģiski noārdāms

**Tīrīšanas un atkaļķošanas līdzekli Clean Air Optima<sup>®</sup>** var pasūtīt mūsu tiešsaistes veikalā vietnē [www.cleanairoptima.com](http://www.cleanairoptima.com).

PTC sildelements



Pārveidotājs

## Pārveidotāja/PTC sildelementa un ūdens tvertnes tīrīšana

Atvienojiet ierīces kontaktdakšu no kontaktligzdas.

Tīrīšanas un atkaļķošanas laikā ierīci nedrīkst lietot.

Notīriet **tīrīšanas un atkaļķošanas līdzekļa Clean Air Optima<sup>®</sup>** šļakatas no darba virsmām vai ierīces ārpusi ar mīkstu, mitru drānu.

1. Ielejiet divus vāciņus **tīrīšanas un atkaļķošanas līdzekļa Clean Air Optima<sup>®</sup>** ūdens tvertnē (vienu uz **pārveidotāja** un **otru** — uz **PTC sildelementa** virsmas) un atstājiet to uz divām līdz piecām minūtēm.
2. Uzmanīgi noņemiet minerālvielu (kaļķakmens) slāni no **pārveidotāja** un **PTC sildelementa** ar mazu suku, vates kociņu vai zobu suku.  
Uzmanību! Pārveidotāja/PTC sildelementa tīrīšanai nekādā gadījumā nelietojiet asus un cietus priekšmetus.
3. Pēc tam piepildiet **ūdens tvertni** līdz malām un atstājiet uz vismaz 30 minūtēm, bet ne ilgāk par 60 minūtēm.
4. Rūpīgi noskalojiet ar ūdeni **pārveidotāju/PTC sildelementu** un **ūdens tvertni**.
5. Ja joprojām ir redzami kaļķakmens nosēdumi, iesakām atkārtot tīrīšanas un atkaļķošanas procesu.
6. Iztīriet **ūdens rezervuāra** iekšpusi ar maigas iedarbības tīrīšanas līdzekli un izskalojiet ar tīru ūdeni.

Pēc tīrīšanas un atkaļķošanas ierīce ir higiēniski tīra, tajā nav kaļķakmens nosēdumu, baktēriju, vīrusu. Tā uzreiz ir gatava lietošanai.

### Piezīme.

Tīrīšanas un atkaļķošanas laikā ierīcei ir jābūt izslēgtai/atvienotai no elektrotīkla, lai gaisā caur ultraskaņas smidzināšanas aerosoliem neizkļūtu skābe.

## Problēmu novēršana

Tālāk ir sniegti norādījumi problēmu novēršanai, kas var rasties, lietojot **Clean Air Optima®** ultraskaņas gaisa mitrinātāju CA-606W.

Problēma	Iespējamais cēlonis	Risinājums
Netiek izsmidzināta migla.	Kontaktdakša nav ievietota ligzdā. Poga ON/OFF (iesl/izsl) nav aktivizēta. Tukša ūdens tvertne. Tvertnē ir nepietiekams ūdens daudzums.	Pievienojiet ierīci kontaktligzdai. Nospiediet pogu ON/OFF (iesl./izsl.). Ielejiet tvertnē ūdeni. Atkārtoti ielejiet tvertnē ūdeni.
Miglai ir īpatnēja smaka.	Jauna ierīce.  Vai nu ierīcē ir netīrs ūdens, vai arī ūdens pārāk ilgi ir nostāvējis.	Noņemiet ūdens tvertni, atskrūvējiet vāku un izlaidiet gaisu vēsā vietā 12 stundu garumā.  Iztīriet ūdens tvertni un uzpildiet ar tīru ūdeni.
Izsmidzinātais apjoms ir pārāk zems.	Ūdens rezervuārā un pārveidotājā ir pārāk daudz nogulšņu.  Ūdens ir pārāk netīrs vai ūdens pārāk ilgi ir turēts tvertnē.	Notīriet ūdens tvertni un devēju ar: <b>tīrīšanas un atkaļķošanas līdzekli Clean Air Optima®.</b>  Iztīriet ūdens tvertni un uzpildiet ar tīru ūdeni.
Ierīce skaļi darbojas.	Ūdens tvertne ir nepareizi novietota.  Ūdens tvertnē ir nepietiekams ūdens daudzums.  Ierīce atrodas uz nestabilas virsmas.	Pareizi novietojiet ūdens tvertni uz pamatnes.  Atkārtoti ielejiet ūdeni ūdens tvertnē.  Novietojiet ierīci uz stabilas un līdzenas virsmas.
Migla tiek izsmidzināta no zonas ap sprauslu.	Starp izsmidzināšanas sprauslu un ūdens tvertnes virspusi ir spraugas.	Noņemiet izsmidzināšanas sprauslu no ūdens tvertnes augšpusē un notīriet to ar tīru drānu. Pievienojiet pie ūdens tvertnes.

*Ja ūdens cietība ir augsta (neparasti augsts minerālu daudzums), mitrinātājs var veidot baltus putekļus. Tā nav nepareiza darbība. Risinājums būtu biežāka ūdens filtra W-01W nomaiņa vai mīkstāka ūdens izmantošana, piemēram, destilēta ūdens. Vai arī varam ieteikt Clean Air Optima gaisa attīrītājus, vairāk informācijas skatiet mūsu interneta veikalā [www.cleanairoptima.com](http://www.cleanairoptima.com)*

## BRĪDINĀJUMS!

Ja iepriekš sniegtie risinājumi problēmu nenovērš, lūdzu, sazinieties ar Clean Air Optima tehnisko atbalstu pa jūsu reģiona tālruna numuru. Nemēģiniet izjaukt, atkārtoti salikt vai labot ierīci, jo tādējādi garantija var tikt anulēta.

## Specifikācijas

Modelis	CA-606W
Piemērots telpām līdz	65m <sup>2</sup> / 160m <sup>3</sup> / 699ft <sup>2</sup>
Nominālais spriegums	220V - 240V, 50/60Hz
Nominālā jauda	30W - Maks. 105W
Gaisa mitrināšanas kapacitāte	Min. 120 ml/h - Maks. 480 ml/h
Aktīvais skābeklis	<0.05 ppm
Trokšņa līmenis	Kluss ventilators < 25dB(A)
Izmēri	230 x 150 x 370 mm
Svars	3,4 kg
Ūdens tvertne	5,5 L
Krāsa	Pērļu balta ar ūdens tvertni ar tonētu stiklu
Atbilst ES regulām	CE / WEEE / RoHS

**Vaicājiet savam mazumtirgotājam vai pašvaldībai aktuālo informāciju attiecībā uz ierīces iepakojuma izmešanu.**



## Apkope

### Ultraskaņas gaisa mitrinātāja Clean Air Optima® CA-606W garantijas sertifikāts.

Iegādes datums: .....

Klienta vārds/nosaukums: .....

Adrese: .....

Tālrunis: .....

E-pasts: .....

Pārdevēja vārds/nosaukums: .....

Adrese: .....

1. Lūdzam pilnībā aizpildīt šo garantijas talonu. Nosūtiet to savam izplatītājam ar rēķinu un ierīci, apmaksājot atpakaļsūtīšanu un izmantojot oriģinālo iepakojumu. Pārliecinieties, vai atpakaļsūtīšanas izdevumi ir apmaksāti pienācīgā apmērā.
2. Iekļaujiet īsu bojājuma, kļūdas vai kļūdainas nostrādes aprakstu, kā arī aprakstiet apstākļus, kādos šīs problēmas radās.

Pirms izsūtīšanas no rūpnīcas ierīcei **Clean Air Optima® ultraskaņas gaisa mitrinātājam CA-606W** veic stingras pārbaudes. Ja divu gadu laikā kopš izstrādājuma iegādes, izstrādājums nedarbojas atbilstoši specifikācijām, jo tam ir rūpnīcas defekti, pircējs ir tiesīgs bez maksas saņemt remonta pakalpojumus vai detaļu nomaiņu, uzrādot šo garantijas talonu (ja iekārtas kļūdainā nostrāde vai tās un/vai tās detaļu bojājums radies normālas darbības apstākļos). Uz ko attiecas garantija: visas detaļām, kurām ir materiāla vai ražošanas defekts. Cik ilgi: divus gadus no iegādes datuma. Kā rīkosimies: veiksīm remontu vai nomainīsim visas bojātas detaļas.

#### Citi nosacījumi

Šīs garantijas nosacījumi aizstāj jebkuru citu rakstisku, skaidri izteiktu vai domātu, rakstisku vai mutisku garantiju, tostarp jebkādu garantiju attiecībā uz atbilstību kvalitātei vai konkrētam mērķim. Ražotāja maksimālais atbildības apmērs nepārsniedz reālo par produktu samaksāto maksu. Ražotājs nekādā gadījumā nav atbildīgs par speciālu, netīšu, izrietošu vai netiešu kaitējumu. Šī garantija neattiecas uz defektu, ja mēs esam noteikuši, ka tas radies nepareizas vai neatbilstošas lietošanas vai apkopes, nepareizas montāžas, negadījuma, dabas katastrofu, neatbilstoša iepakojuma vai nesankcionētu manipulāciju, izmaiņu vai modifikāciju rezultātā. Šī garantija nav derīga, ja etiķete, uz kuras ir sērijas numurs, ir noņemta vai sabojāta.

**Nekad neļaujiet citās tīras ēteriskās eļļas vai citas piedevas ūdens tvertnē, tas ir, ūdens rezervuārā! Pat neliels daudzums var sabojāt plastmasu un radīt plaisas.**

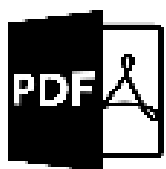
# Paldies, ka iepazināties ar šiem norādījumiem!



Pievienojiet savas atsauksmes par Clean Air Optima®  
ultraskaņas gaisa mitrinātāju CA-606W:  
[www.cleanairoptima.com](http://www.cleanairoptima.com)



Lai skatītu bieži uzdotos jautājumus par CA-606W, apmeklējiet vietni  
[www.cleanairoptima.com](http://www.cleanairoptima.com) un meklējiet "CA-606W".



Lietotāja rokasgrāmatu PDF formātā varat lejupielādēt vietnē  
[www.cleanairoptima.com/info/manuals](http://www.cleanairoptima.com/info/manuals)



Skatiet visu Clean Air Optima® izstrādājumu  
animācijas videoklipus vietnē:  
[www.youtube.com](http://www.youtube.com)

Clean Air Optima International B.V. | David Ricardostraat 9-7 / 9-9 | 7559 SH Hengelo (ov)  
Nīderlande | Tālrunis: +31 (0) 74 - 2670145

Clean Air Optima Germany GmbH | Enschedestraße 14 | 48529 Nordhorn | Vācija  
Tālrunis: +49 (0) 5921 879-121

E-pasta adrese: [info@cleanairoptima.com](mailto:info@cleanairoptima.com)

Tīmekļa vietne: [www.cleanairoptima.com](http://www.cleanairoptima.com)

# A guarantee for healthy indoor air quality!



Designed in Germany

More info:

[www.cleanairoptima.com](http://www.cleanairoptima.com)

