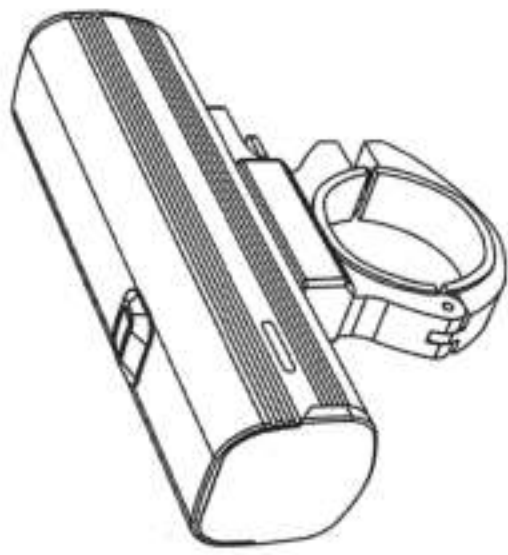


# USE MANUAL



## R3-1000

### Product Parameters

**Product Name:** Bicycle Headlight

**Product model:** E05520

**Lamp bead types:** T40 LUMINUS

**The battery type:** 21700 4800mAh Lithium battery

**Lumens:** 1000 lumens

**Product color:** Black

**Switch mode:** Press the power button to turn on the light enter steady modes.

Press to cycle through the different modes: Low - Medium - High.

Double press the power button to enter flash

modes, press to cycle through the different

modes: Strob-Quick Flash. Press and hold the

power button for 2 seconds to turn off the

light. Enter the intelligent energy saving

mode when the red light is on.

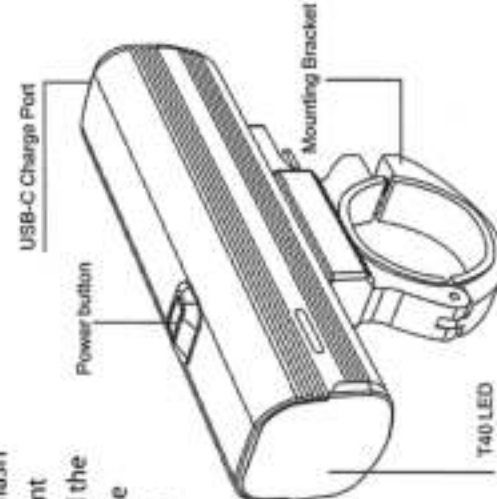
**Charging Input:** 5V/2A

**Type-C output:** 5V/2A

**Product size:** 11.5\*3\*4.1cm

**Product weight:** 185g

**Voltage:** 3.7V

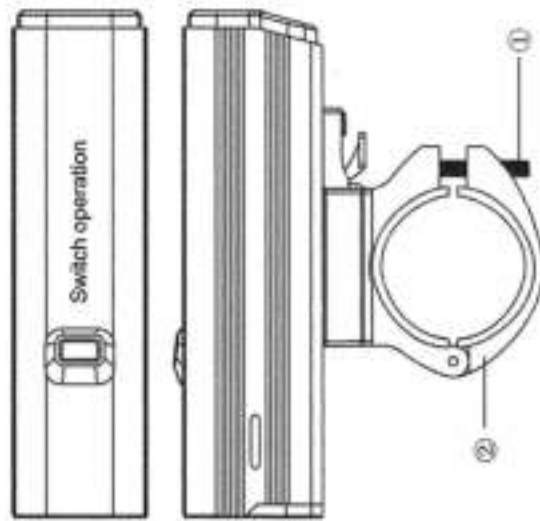


### Product Installation Steps

1. Unscrew the bicycle frame lock switch ①, pull out the connection with ②

2. The bicycle frame is pressed on the handle of the bicycle.

3. The bicycle handle with cohesion Rao is inserted into the bicycle frame lock socket



### Warranty Regulations

■ From the date of purchase, the product within fifteen days, the normal result is not bright, with valid invoices, receipts effective free replacement of the same model.

■ If the following conditions are not free to change within the new and under warranty:

1. Out of free warranty date products.

2. Man-made damage of the product, surface scratches, deformation, parts dropped.

3. Dismantle before, or the modified product.

The accident, misuse or damage irresistible natural factors caused in anyway.

three from the date of purchase of this product, it can free 1 year warranty.

**CAUTIONS:** Do not look directly into the beam or shine into the eyes of others.

MODE	LUMEN	DISCHARGE TIME(About)	CHARGING TIME
100% glare	1000LM	3 hours	
50 weak light	500LM	4.5 hours	5 hours
35 weak light	300LM	11 hours	
strob	—	5 hours	
Quick Flash	—	4 hours	