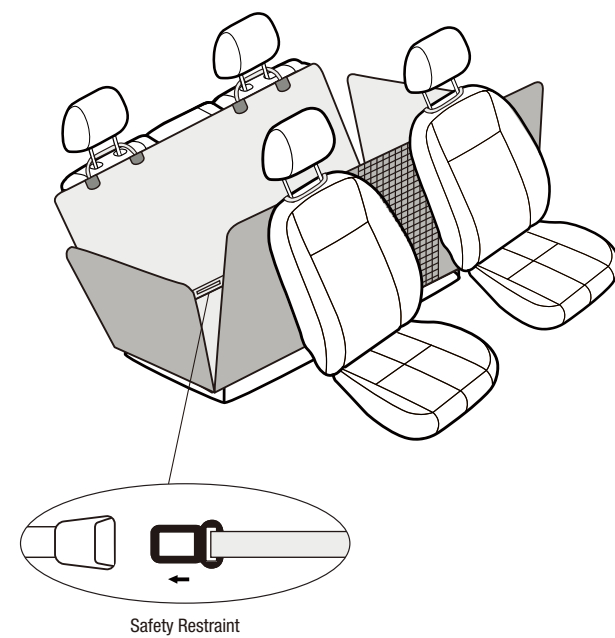


Yes Pets Deluxe Car Seat Cover

English Instructions

8.5" x 11" - folded in quarters

Front (outside)



STEP 6 (optional)

Insert the seatbelt clasp at the end of the safety restraint into one of the seat belts. Attach the hook at the end of the safety restraint to the D-ring on your pet safety harness (not included). Adjust the strap length as needed. DO NOT ATTACH THE HOOK DIRECTLY TO A PET COLLAR OR LEASH. THE RESTRAINT SHOULD ONLY BE USED WITH A SAFETY HARNESS.



DELUXE BACK SEAT COVER

Congratulations on your new Yes Pets! car seat protector.
This guide contains useful installation and care instructions.

CARING FOR YOUR CAR SEAT PROTECTOR

This car seat cover is easy to care for and clean

Close all zippers and secure all clips before washing. Place cover into any washing machine. Machine wash cold on gentle cycle with mild detergent. Use chlorine free bleach as needed. Hang dry or lay flat to dry. Do not machine dry or iron.

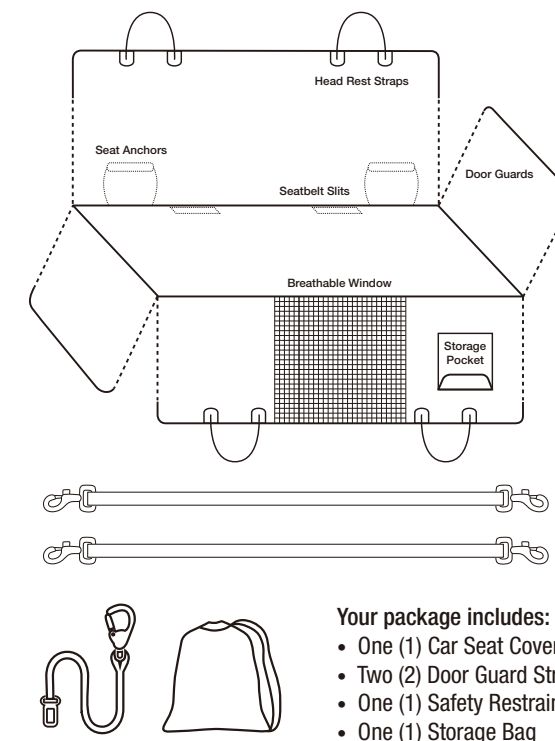
For easy storage and carrying, fold cover and the components into the drawstring bag.

From all of us at
Arlee Pet Products,
happy travels and
say **YES** to your pets!



by Arlee Pet Products

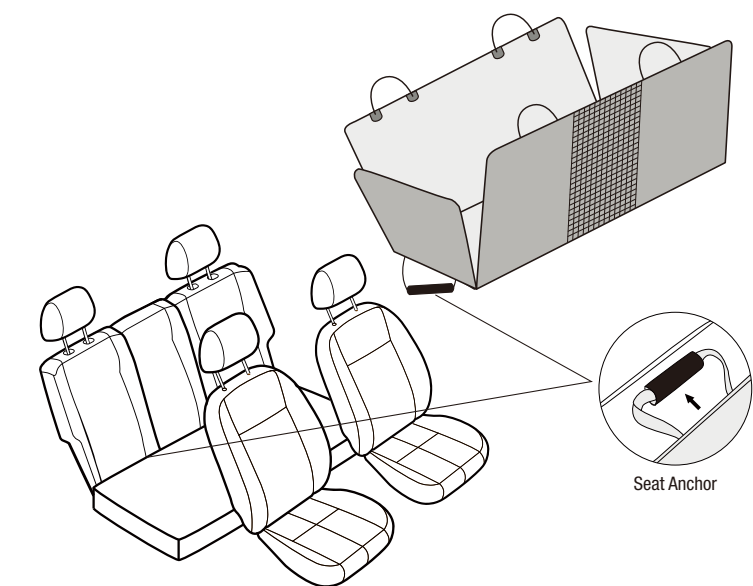
Back (inside)



- Your package includes:
- One (1) Car Seat Cover
 - Two (2) Door Guard Straps
 - One (1) Safety Restraint
 - One (1) Storage Bag

STEP 1

Unpack all the items from inside the box.

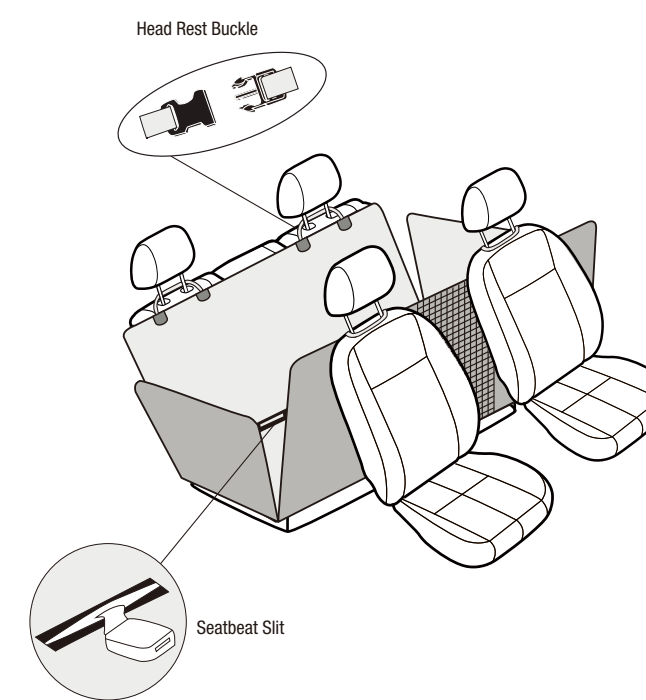


STEP 2

Lay the car seat cover over the back seat with the breathable window facing the front of the car.

STEP 3

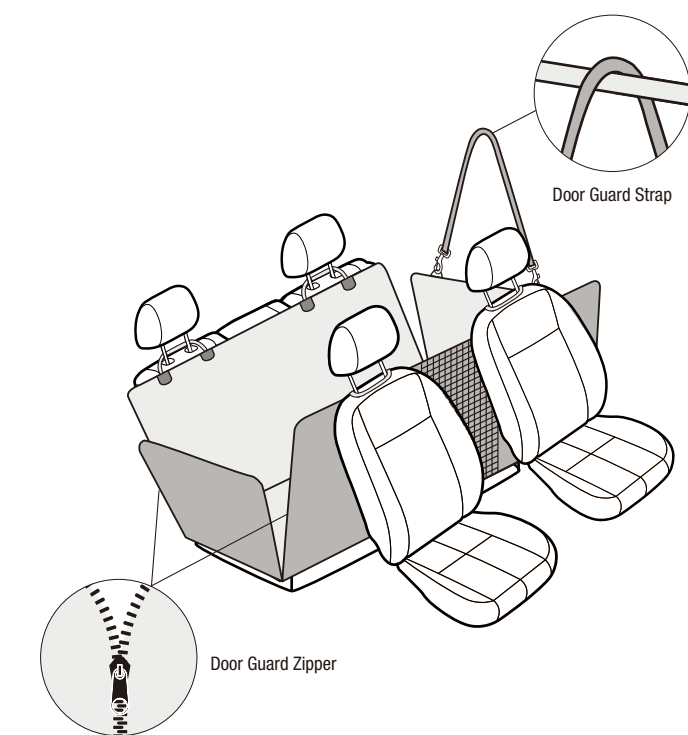
Insert the seat anchors into the crack between the seat cushion and seat back.



STEP 4

Wrap the straps at the ends of the cover around each headrest and secure the buckles. Adjust the strap lengths as needed so the cover fits snugly against the seat back, but do not over tighten.

Open the Velcro seatbelt slits and pull the seat belts through.



STEP 5 (optional)

Starting on one side, zip up both sides of the door guard. Attach one end of the door guard strap to one ring on the door guard. Thread the strap through the overhead grab handle. Attach the other end of the strap to the other ring. Repeat on the opposite side with the remaining strap.