

# Specifications

## DESCRIPTION

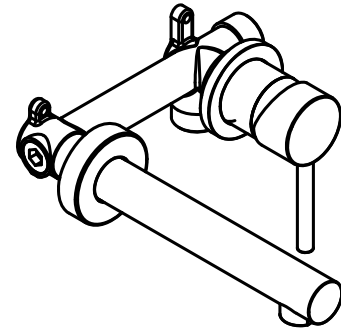
- Brass construction

## FLOW

- Water usage is limited to these maximum flow rates as indicated by the corresponding product markings
- 9L-12L/min @ 3bar

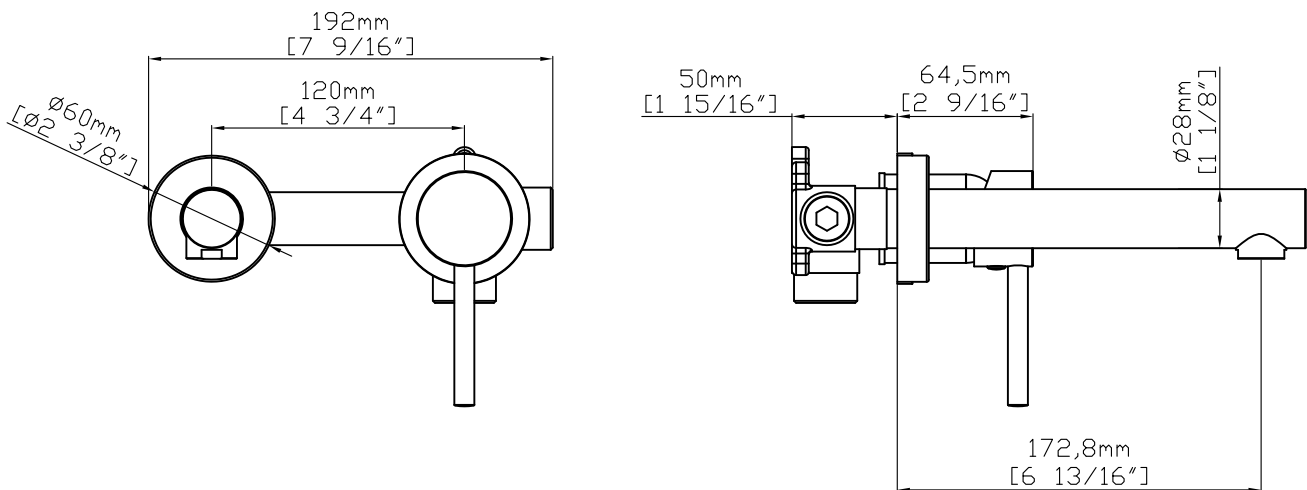
## CARTRIDGE

- Brass cartridge



Wall Mounted Lavatory Faucet

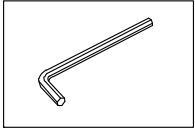
**NOTE:** SPOUT INSTALLS THRU  $\Phi 1\text{-}3/8"$  ( $\Phi 35\text{mm}$ ) MIN HOLE



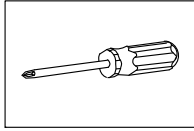
Note: Dimensions are for reference only. Detailed information is in accordance with the final product.

# Wall Mounted Lavatory Tap Installation

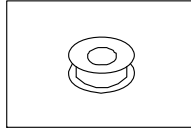
## INSTALLATION MANUAL Tools You Will Need :



Hexagon wrench



Philips Screwdriver



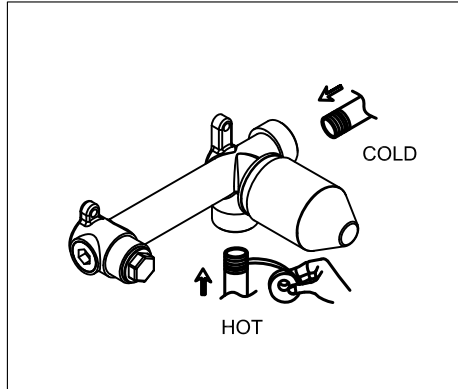
Pipe Tape

### Notes before installation :

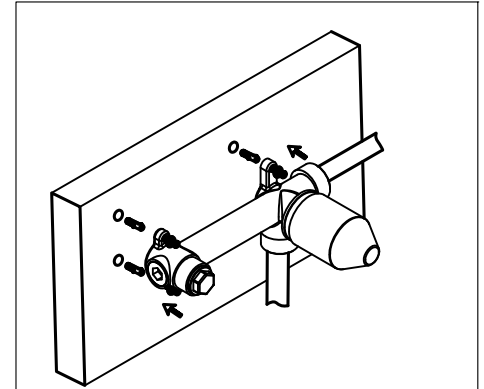
1. Please check that all components are present.
2. Before installation ensure that all feed lines are clear of debris and on/off valve is present.
3. Ensure water pressure is between 0.1-8 BAR (includes combination of hot and cold feed lines).
4. Pictures in the manual are general in content and may not represent exactly your purchased faucet. If you are having difficulties please contact a professional plumber.
5. If you will be away from home for an extended period you should shut off the main water supply.

### Daily maintenance

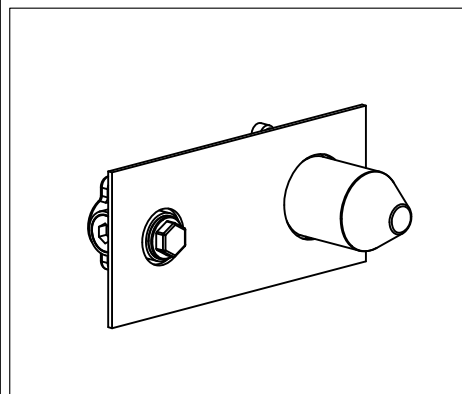
1. Use a soft cloth and vinegar to remove hard-water spots.
2. Check aerator (if present) regularly for calcium build up as when water stream is not optimum.
3. DO NOT use caustic cleaning products as the use will break down finish and will void the product warranty.
4. Acceptable cleaners include vinegar or mild non-abrasive liquid detergents.
5. If the water pressure appears to be less than optimum remove, inspect, clean or replace aerator.



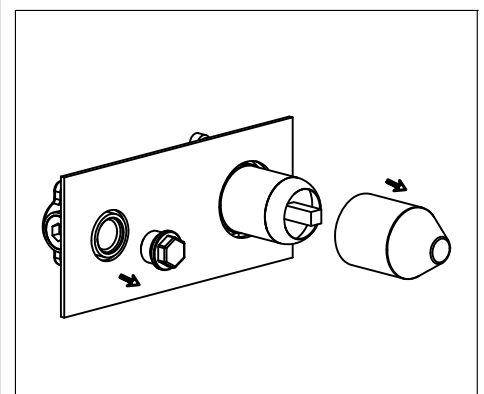
1. Use the pipe tape around the water pipe then connect to the hot and cold water pipe.



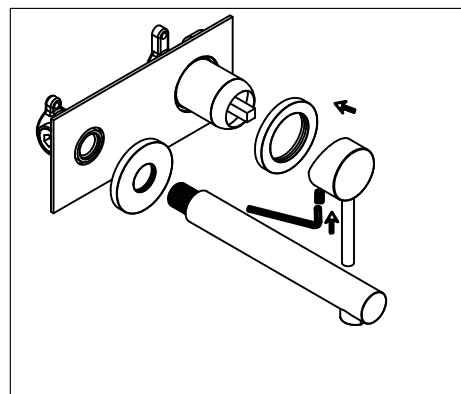
2. Fix the body of the basin faucet into the wall.



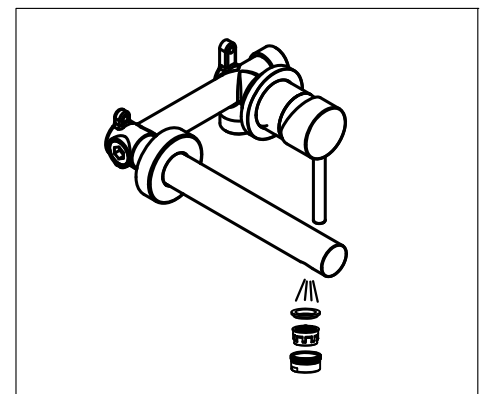
3. Cut the tile hole according to the size and shape. And please put the tile outside the wooden wall please noted that we need to keep the same central point for the tile hole with the body.



4. Use the hexagon wrench to open the spout and handle from the package.



5. Use the hexagon wrench to install the handle and spout.



6. After install the faucet remove the aerator, turn on faucet handle for one minute to flush debris from faucet, close the handle and reassemble the aerator.