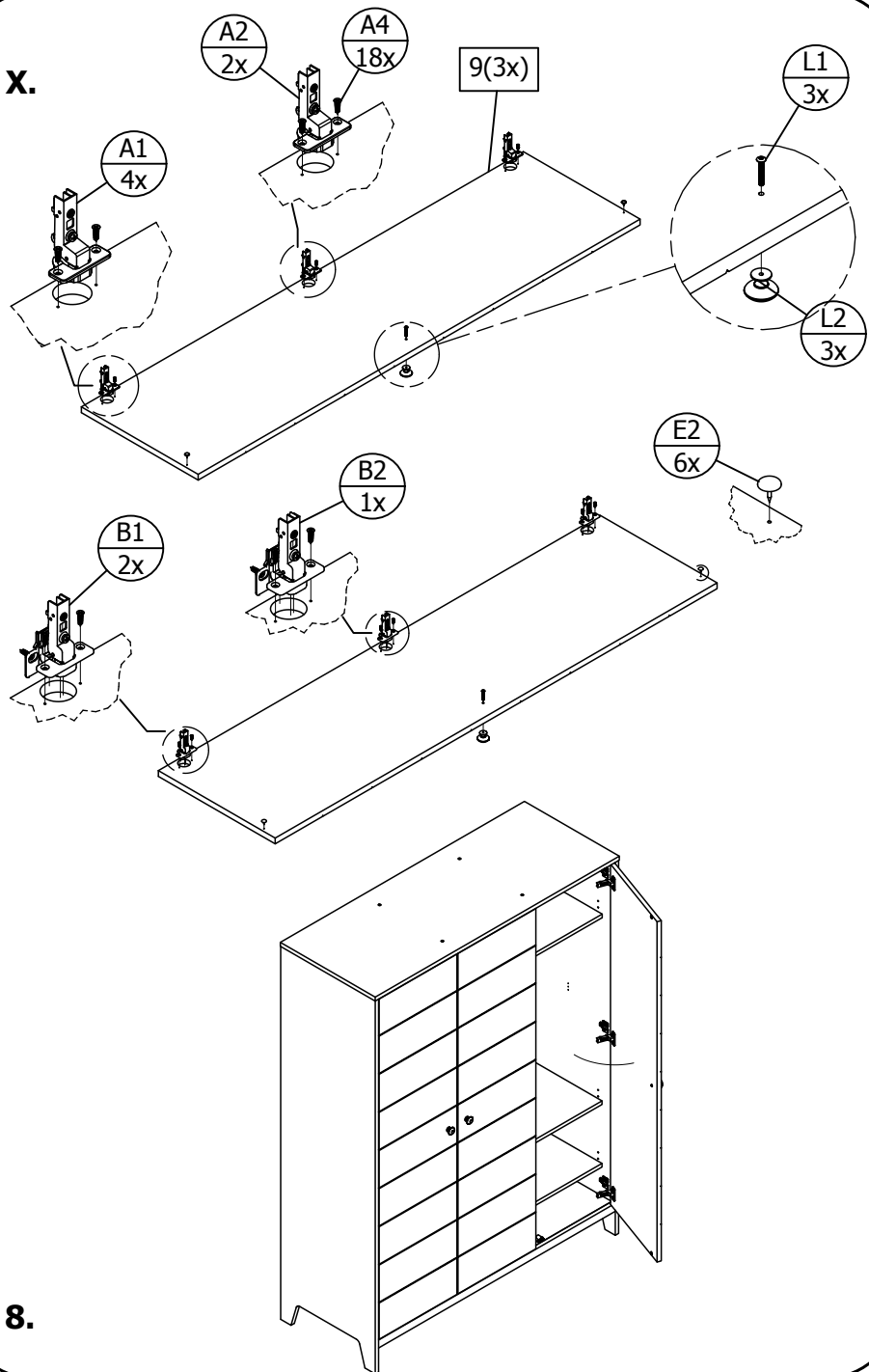


X.



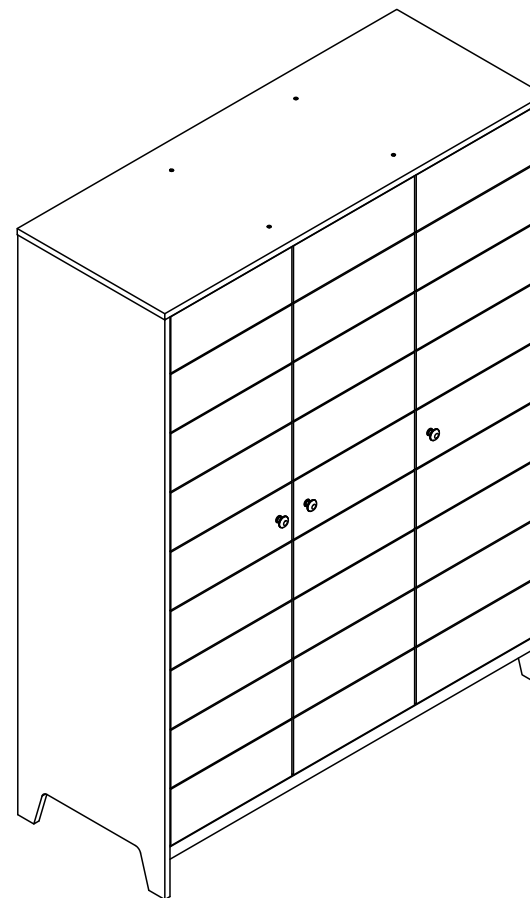
8.

bopita

ASSEMBLY INSTRUCTION
MONTAGE HANDLEIDING
MONTAGE ANLEITUNG
NOTICE DE MONTAGE
MANUAL DE MONTAJE

UK
NL
D
F
ESP

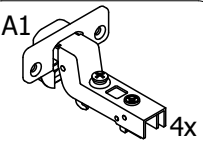
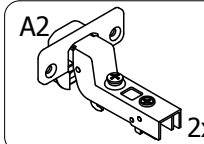
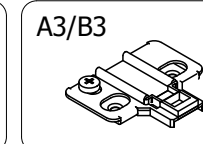
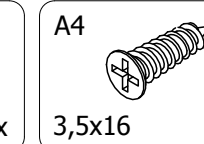
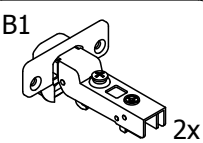
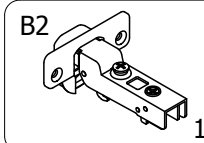
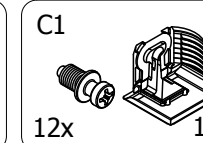
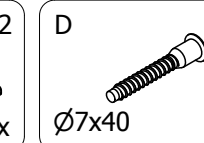
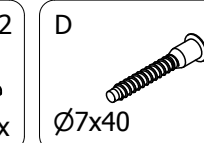
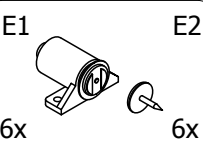
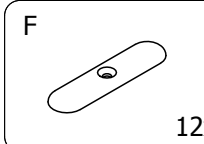
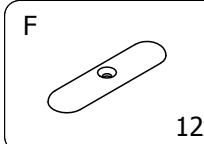
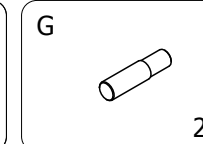
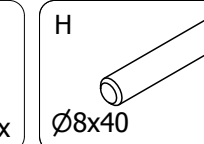
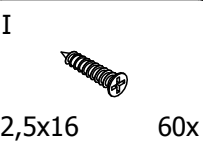
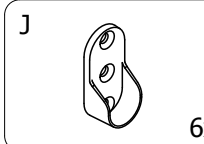
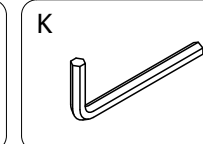
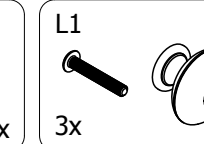
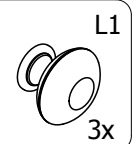
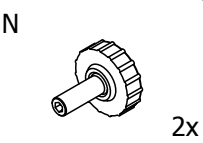
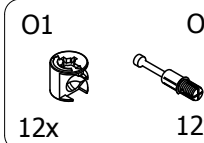

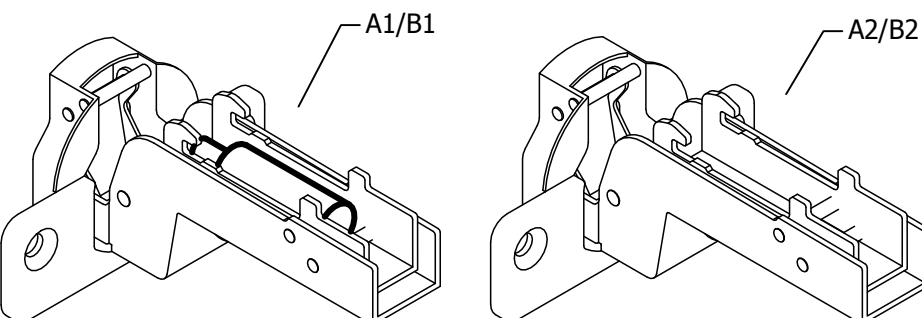
MODEL: JOB
TYPE: Wardrobe 3 doors
COLOUR: Vintage Honey / Black
ART: CODE: 156191 50



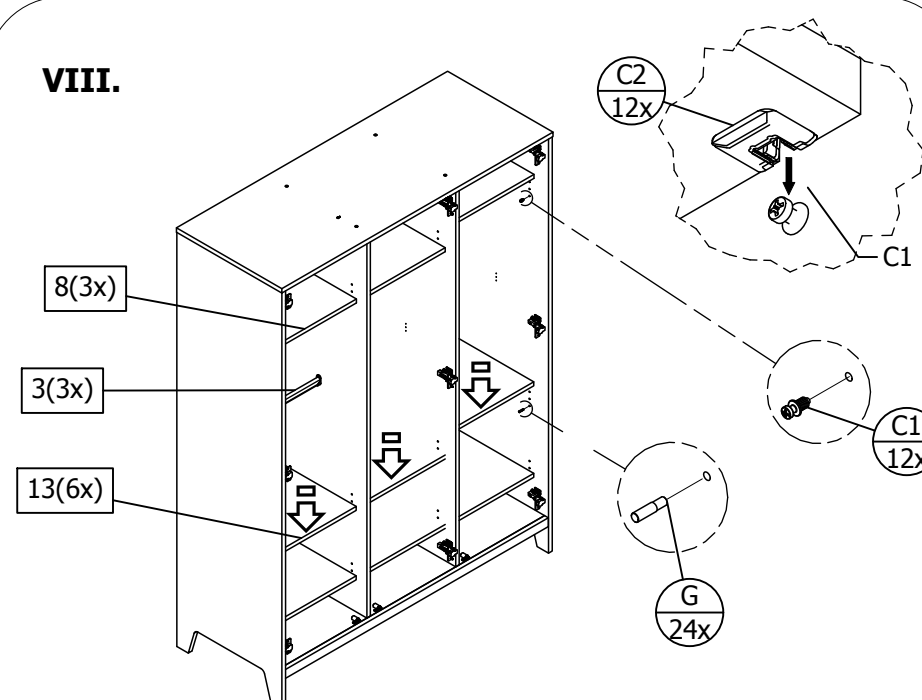
Distributor:
BOPITA
Energieweg 1
6662 NS Elst
The Netherlands
www.bopita.com
21.02.2020



1.

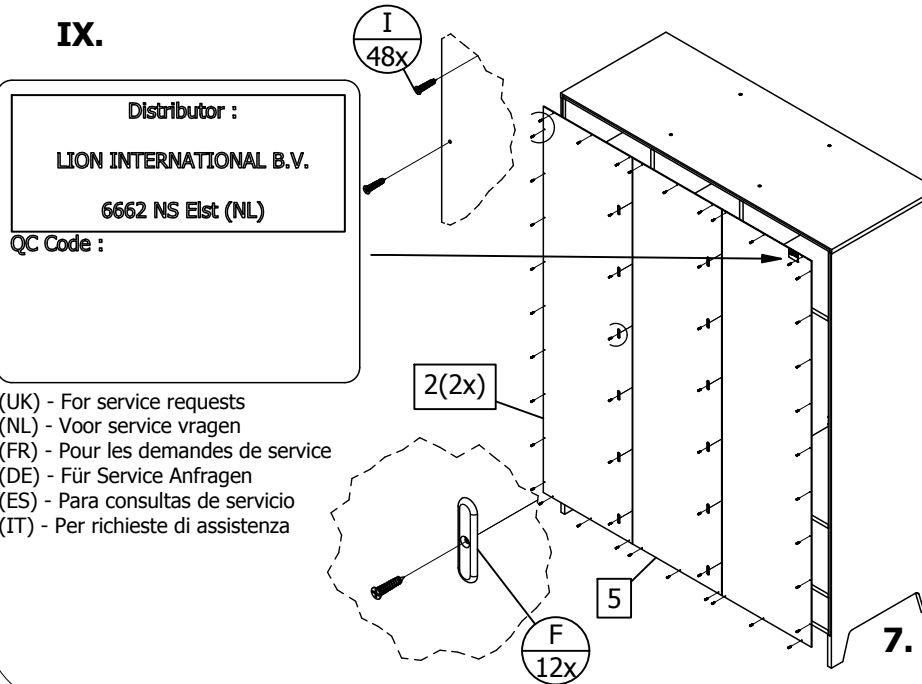
A1  4x	A2  2x	A3/B3  9x	A4  3,5x16 54x
B1  2x	B2  1x	C1  12x	C2  12x
D  Ø7x40 10x	E1  6x	E2  6x	F  12x
G  24x	H  Ø8x40 22x	I  2,5x16 60x	J  6x
K  1x	L1  3x	L1  3x	N  2x
O1  12x	O2  12x	2. 	

VIII.



IX.

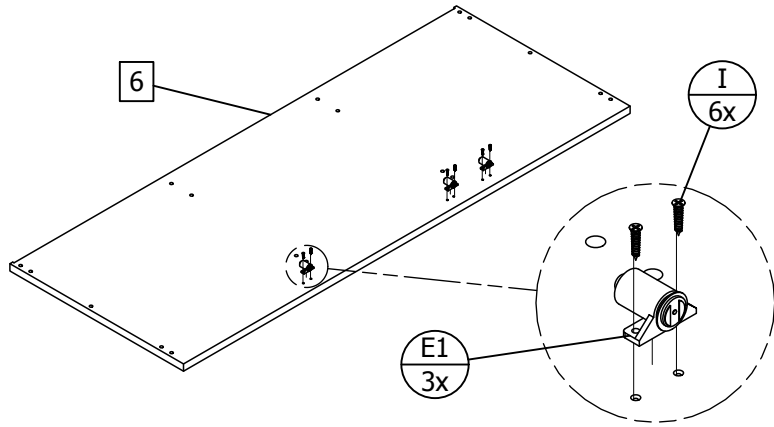
Distributor :
LION INTERNATIONAL B.V.
 6662 NS Elst (NL)
 QC Code :



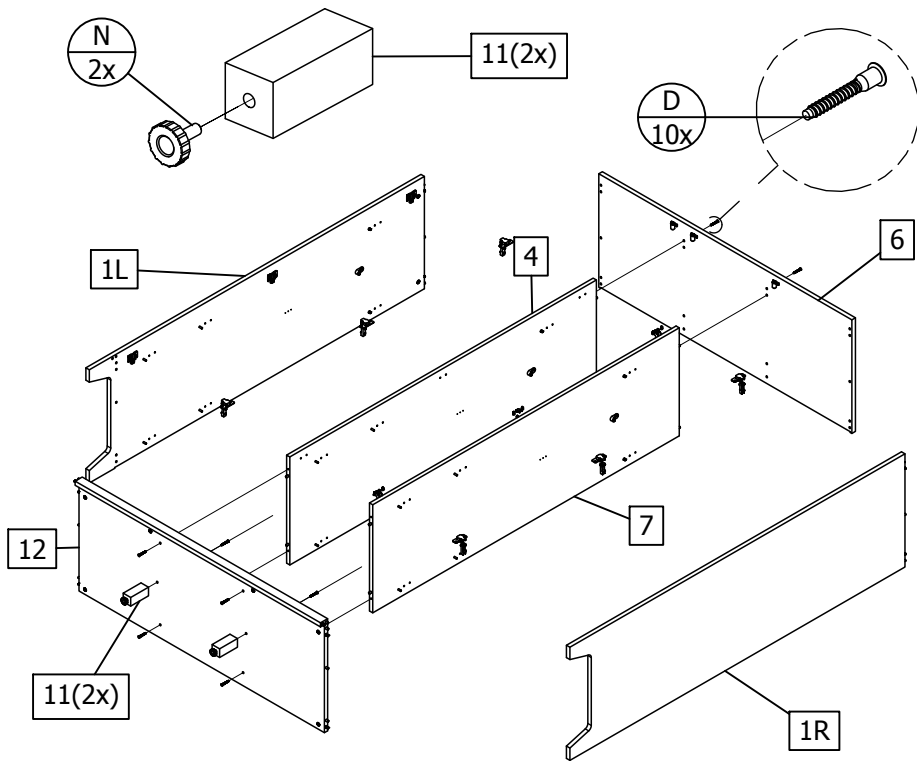
(UK) - For service requests
 (NL) - Voor service vragen
 (FR) - Pour les demandes de service
 (DE) - Für Service Anfragen
 (ES) - Para consultas de servicio
 (IT) - Per richieste di assistenza

7.

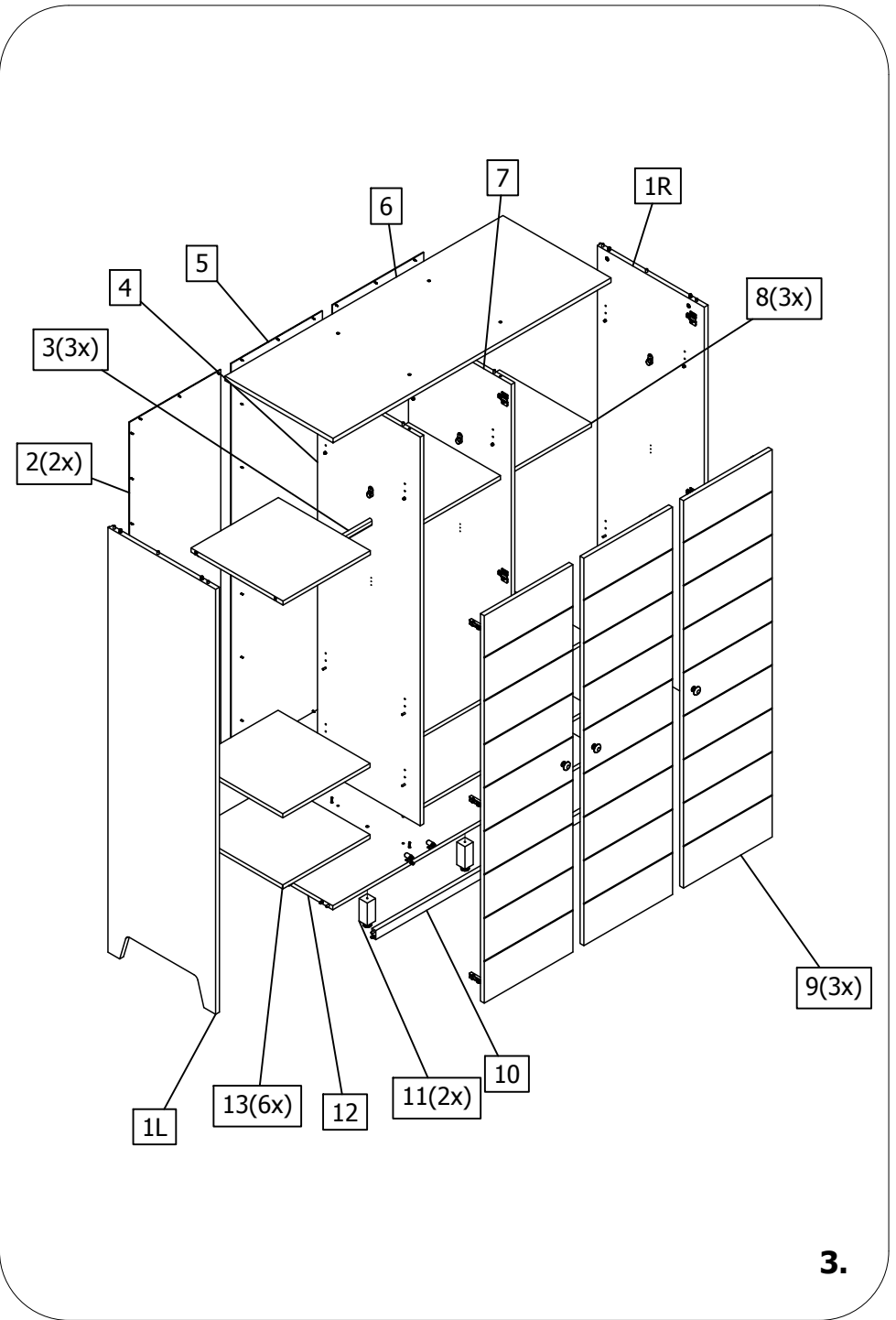
VI.



VII.

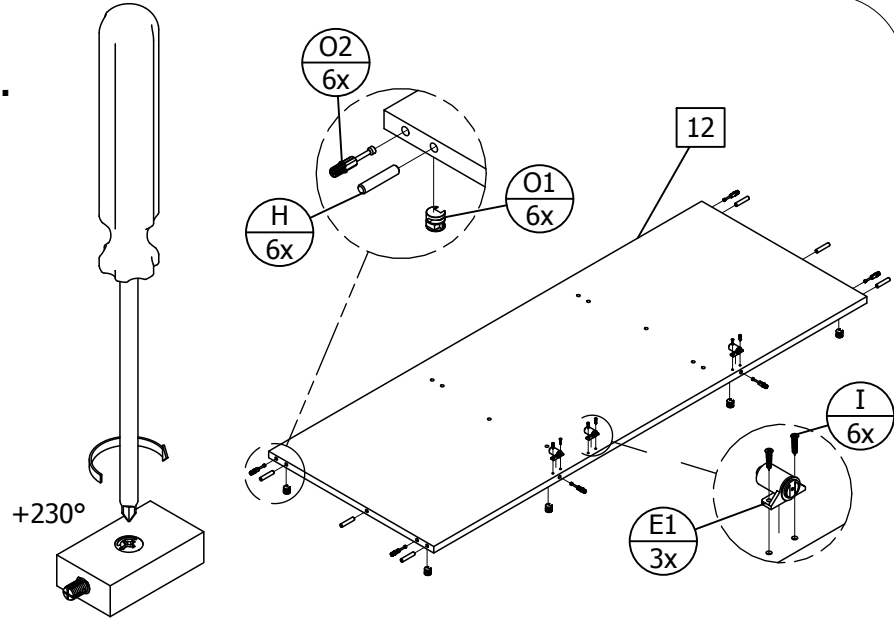


6.

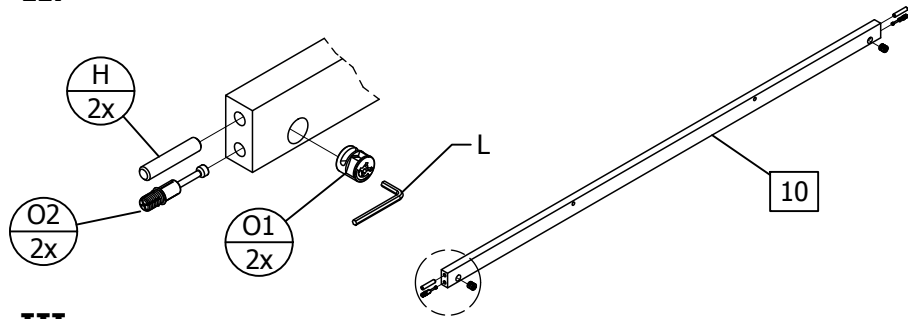


3.

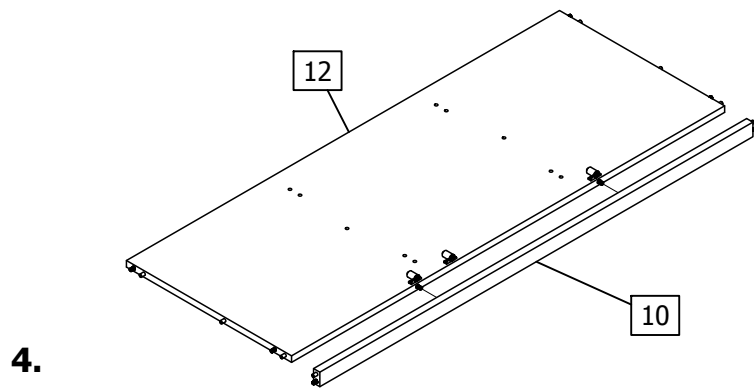
I.



II.

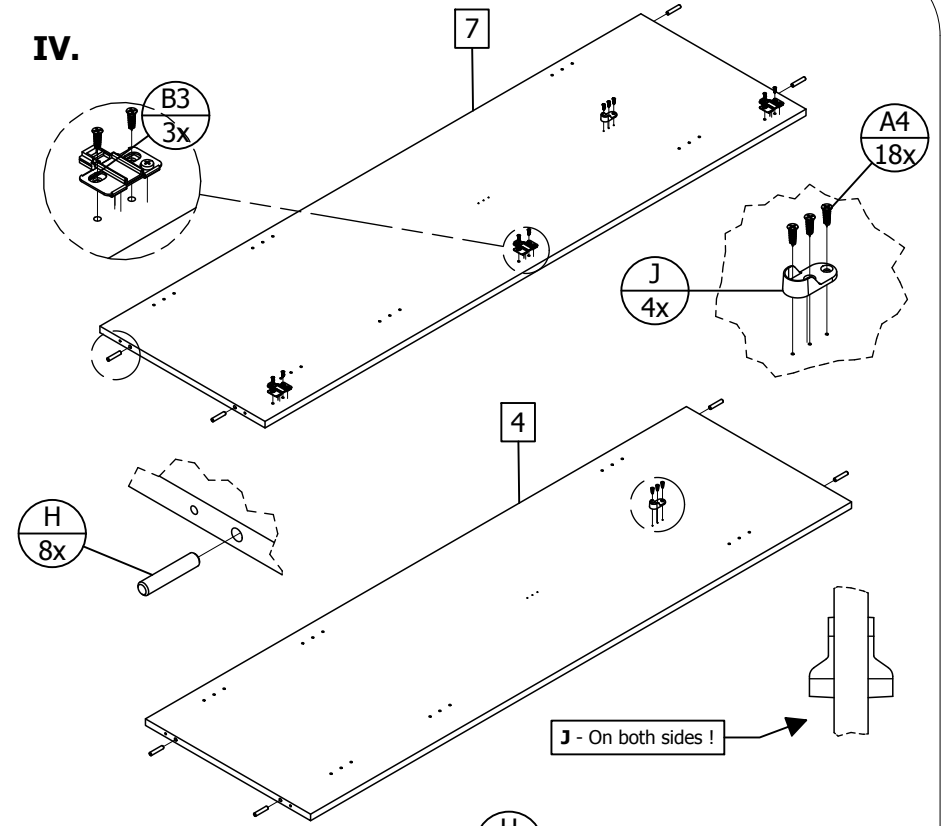


III.

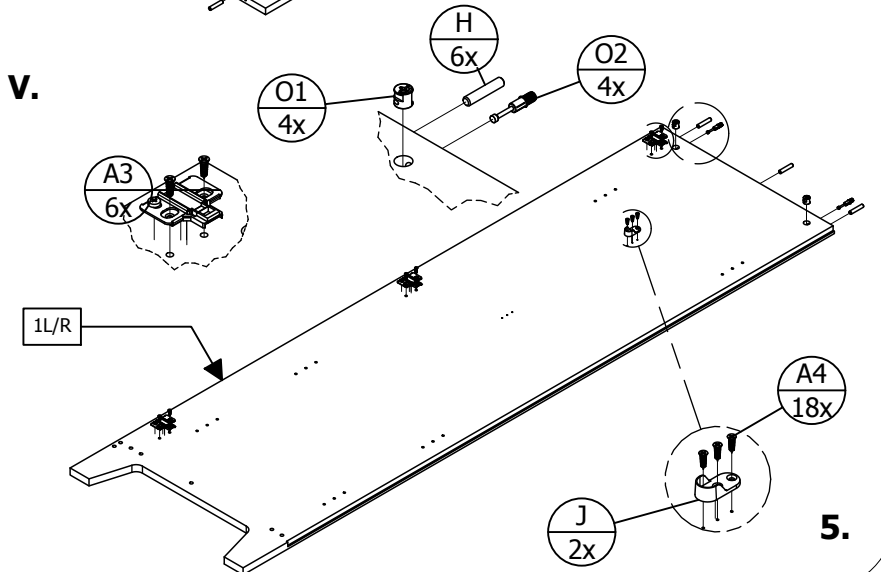


4.

IV.



V.



5.