

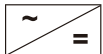


Bolt Electronics- 1011-A-Led-Dimfunctie-Verlichting

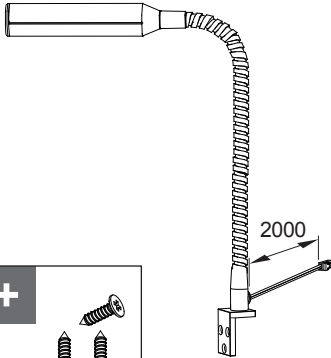



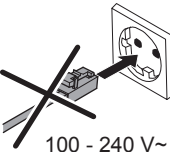

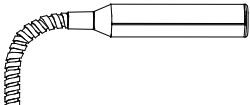



Model	CCT (K)	W	T _A	EEL			
1011-A	3000 K	1.6 W	-25°C – +35°C -4 °F – +95 °F	A++	Lx35mm	>Lx45	DC12V

Model	Input Voltage	Output Voltage	Output Current	IP	Color	Dimensions (mm)
BE02	200-220V AC,50HZ	DC12V	1.66A	IP20	Black	111x45x15

+

Product Structure

.mm

<p>1011-A</p>  <div style="display: flex; justify-content: space-around; margin-top: 10px;">   </div>	<div style="display: flex; justify-content: space-between; align-items: center;"> <div style="font-size: 2em;">i</div> <div style="font-size: 2em;">⚠</div> </div> <div style="display: flex; justify-content: space-around; margin-top: 10px;">   </div> <p style="text-align: center;">100 - 240 V~</p> <div style="display: flex; justify-content: space-around; margin-top: 10px;">   </div>	<p>BE02</p> <div style="text-align: center; margin-top: 20px;">  <p>Power supply</p> </div> <div style="display: flex; justify-content: space-around; margin-top: 20px;"> <div style="font-size: 2em;">+</div>   </div>
---	--	---

