

PRINCESS®

EN Instruction manual

NL Gebruiksaanwijzing

FR Mode d'emploi

DE Bedienungsanleitung

ES Manual de usuario

PT Manual de utilizador

IT Manuale utente

SV Bruksanvisning

PL Instrukcja obsługi

CS Návod na použití

SK Návod na použitie


RU Руководство по эксплуатации



Smart Air Conditioner 9000
Smart Air Conditioner 12000

01.352900.01.001 / 01.353200.01.001

SAFETY

- Please read this user's manual carefully to ensure proper use, maintenance and installation.
- By ignoring the safety instructions the manufacturer cannot be held responsible for the damage.
- The appliance is for indoor use only.
- Do not use the unit on a socket that is damaged or that has not been installed correctly.
- Do not use the unit:
 - near a source of fire.
 - in an area where oil is likely to splash.
 - in an area exposed to direct sunlight.
 - in an area where water is likely to splash.
 - near a bath, a shower or a swimming pool.
- Never insert your fingers or objects into the air outlet. Take special care to warn children of these dangers.
- Keep the unit upright during transport and storage.
- Before cleaning the unit, always turn off or disconnect the power supply.
- Always turn off and disconnect the power supply before moving the unit.
-  **WARNING:** To avoid the risk of fire, do not cover the unit.
- All the unit sockets must comply with the local electric safety requirements. If necessary please check.
- If the supply cord is damaged, it must be replaced by the manufacturer, its service agent or similarly qualified persons in order to avoid a hazard.
- This appliance can be used by children aged 8 years and above, persons with reduced physical, sensory, and mental capabilities or persons with a lack of experience and knowledge if they have been given correct supervision or instruction concerning the use of the appliance in a safe way and understand the hazards involved. Children should not play with the appliance. Cleaning and user maintenance should not be carried out by children without supervision.
- This appliance is only to be used for household purposes and only for the purpose it is made for.
- Notes:

- In the case of any damage, please disconnect the power supply and contact the dealer or a designated repair shop.
- In any case, the power cord shall be firmly grounded.
- To avoid the possibility of danger, if the power cord is damaged, please disconnect the power supply. It must be replaced by the dealer or a designated repair shop.

Warning

- Please use the recommended defrosting and cleaning process from the manufacturer only. Do not accelerate the defrosting or cleaning process in any other way.
 - The appliance shall be stored in a room without continuously operating ignition sources (for example: open flames , an operating gas appliance or an operating electric heater).
 - Do not pierce or burn.
 - Be aware that refrigerants may not contain an odor.
 - The appliance should be installed, operated and stored in a room with a floor area larger than X m². (X=12 for 9000Btu/h; X=15 for 12000Btu/h)
- Only contact an authorized service technician for repair or maintenance of this unit.
 - Do not pull , deform or modify the power supply cord or immerse in water . Pulling or misuse of the power supply cord could result in damage to the unit and cause an electrical shock.
 - Compliance with national gas regulations should be observed.
 - Keep ventilation openings clear of obstructions.
 - Servicing should only be performed as recommended by the equipment manufacturer. Maintenance and repair requiring the assistance of other skilled personnel should be carried out under the supervision of a person(s) competent in the use of flammable refrigerants.
 - Do not stop the unit by pulling out the power plug whilst in operation as this may cause an electric shock or fire due to heat generation unless strange sounds are heard or if strange smells or smoke appear from the unit.



Specific information regarding appliances with R 290 refrigerant gas.

- Thoroughly read all of the warnings.
 - When defrosting and cleaning the appliance, do not use any tools other than those recommended by the manufacturing company.
 - The appliance should not be stored in a room with continuously operating ignition sources (for example: open flames, an operating gas appliance or an operating electric heater).
 - Do not puncture and do not burn.
 - This appliance contains Y g (see rating label back of unit) of R290 refrigerant gas.
 - R290 is a refrigerant gas that complies with the European directives on the environment. Do not puncture any part of the refrigerant circuit.
- If the appliance is installed, operated or stored in a non-ventilated area, the room must be designed to prevent the accumulation of refrigerant leaks that could result in a fire risk or explosion due to ignition of the refrigerant caused by electric heaters, stoves, or other sources of ignition.
 - The appliance must be stored in such a way as to prevent mechanical failure.
 - Individuals who operate or work on the refrigerant circuit must have the appropriate certification issued by an accredited organization that ensures competence in handling refrigerants according to a specific evaluation recognized by associations in the industry.
 - Repairs must be performed based on the recommendation from the manufacturing company. Maintenance and repairs that require the assistance of other qualified personnel must be performed under the supervision of an individual specified in the use of flammable refrigerants.

Batteries

- Do not expose the battery to high temperatures or direct sunlight. Never throw batteries into the fire. There is a danger of explosion!
- Keep batteries away from children. Batteries are not a toy!
- Do not open the batteries by force.
- Avoid contact with metallic objects.(Rings, nails, screws et cetera) there is a danger of short-circuiting!
- As a result of a short-circuit batteries may heat up considerably or even catch fire. this may result in burns.
- For your safety the battery poles are covered with adhesive strips during transport.
- Do not touch a ruptured and/or leaking battery. If the liquid from the battery gets into your eyes, rinse your eyes as soon as possible with clean water, without rubbing your eyes. Immediately go to the hospital. If it is not treated properly, it can cause eye problems.

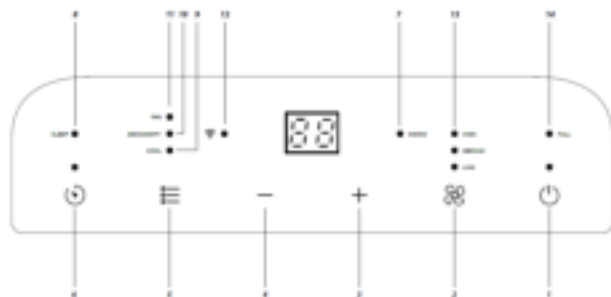
Refrigerant

(CE) N 842/2006: This unit contains the refrigerant R290. The amount of refrigerant is less than 1kg, and is in a closed cooling circuit. The coolant does not have zero ozone depletion potential, but is a so-called greenhouse gas under the Kyoto Protocol and may thus contribute to global warming, if it is released to the atmosphere. Therefore only trained technicians with refrigerant certificate make a filling or emptying. Your appliance does not have to be refilled with refrigerant if used properly and has an undamaged coolant circuit. GWP: R290: 3

PARTS DESCRIPTION

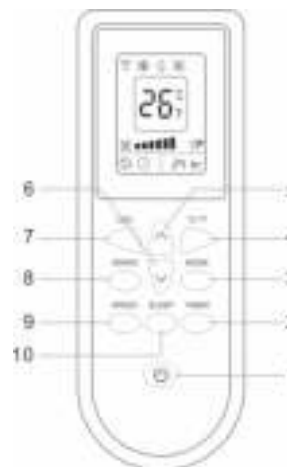
1. Air inlet	8. Hose connector (window end)
2. Air filter	9. Hot-air exhaust hose
3. Control panel	10. Hose connector (Air conditioner end)
4. Power cord	11. Window seal + Velcro
5. Air outlet	12. Remote control
6. Castor	13. Batteries
7. Drainage hole	

FUNCTION OF CONTROL PANEL

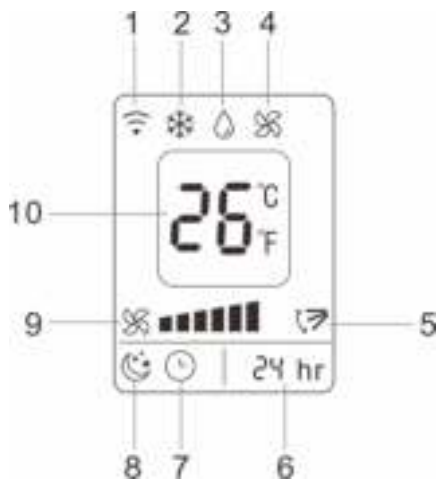


1	Power on/off	8	Sleep mode
2	Fan speed	9	Cooling indicator
3	Temperature up	10	Dehumidifying indicator
4	Temperature down	11	Fan indicator
5	Mode button	12	WiFi indicator
6	Timer on/off	13	High/Medium/Low fan speed indicator
7	Swing on/off	14	Water full indicator

REMOTE CONTROL WITH LCD DISPLAY



1	Power on/off
2	Timer on/off
3	Mode
4	°C / F° selector
5	Temperature up
6	Temperature down
7	LED display
8	Auto swing
9	Fan speed
10	Sleep mode



1	Receiving signal
2	Cooling
3	Dehumidifying
4	Fan
5	Auto swing
6	Timing
7	Timer on/off
8	Sleep mode
9	Fan speed
10	Temperature display

- 2xAAA size batteries are required.
- Ensure batteries are inserted in the correct direction.
- When replacing, ensure both batteries are changed simultaneously.
- Press the corresponding buttons as explained in the control panel part to operate the fan.

BEFORE THE FIRST USE

Before starting operations in this section:

- Find a place where there is power supply nearby.
- Install the exhaust hose and adjust the window position well.
- Insert the power cord into a grounded AC220~240V/50Hz socket.
- Press the power button to turn on the air-conditioner.
- Check whether the exhaust hose has been mounted properly.
- Set the temperature range: 16°C-31°C.
- When using functions on cooling and dehumidifying, allow at least 3 minutes between powering off and powering on.

USING THE ON DEVICE BUTTONS

Cooling operation

- Press the “Mode” button till the “Cool” icon appears.
- Press the + <Temperature up> or - <Temperature down> button to select a desired room temperature.
- Allow around 5 minutes for the cooling to start.
- Press the “Fan speed” button to adjust airflow speed.

Dehumidifying operation

- Press the “Mode” button until the “Dehumidify” icon appears.

- The temperature will automatically be selected.
- The fan speed will automatically be selected.

Fan operation

- Press the "Mode" button till the "Fan" icon appears.
- Press the "Fan speed" button to adjust airflow speed.

Timer operation

Timer ON setting

- When the air-conditioner is OFF, press the "Timer" button and select a desired ON time and adjust by using the <Temperature up> and <Temperature down> buttons.
- The ON time can be adjusted to anytime in 0-24 hours.

Timer OFF setting

- When the air-conditioner is ON, press the "Timer" button and select a desired OFF time and adjust by using the <Temperature up> and <Temperature down> buttons.
- The OFF time can be adjusted to anytime in 0-24 hours.

Swing operation (oscillation mode)

- Press this button to start the oscillation mode, the louver will swing continuously up and down. Press button again to stop the operation.

Sleep operation

- In cooling mode, press the "Sleep" button to set the temperature. The set temperature is increased by 1 degree within one hour to a maximum of 2 degrees after 2 hours.
- Press "Sleep" button to cancel the operation.

Drainage

- After a lengthy operation and before storage, you will need to drain the water that has been collected. Please prepare a suitable location or tray to collect the water and remove the

rubber stop from the drainage hole at the bottom of the unit. The water will then begin to drain. After this has stopped, you can insert the drain stop.

Internal Tank Water Full Alarm Function

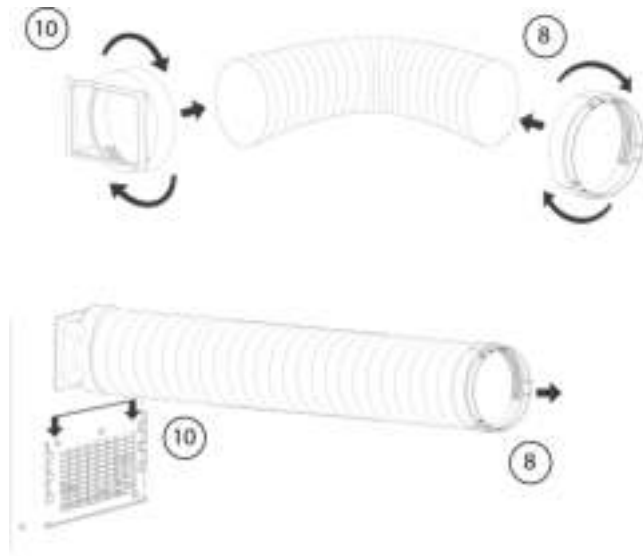
- The inner water tank in the air-conditioner has one water level safety switch that controls the water level. When the water level reaches an anticipated height, the water full indicator lamp lights up. Follow previous steps to drain the water.

INSTALLATION

- The air-conditioner should be installed on a flat and stable surface. Do not block the air outlet and allow at least 30cm around the unit.
- Socket wiring should be in accordance with the local electric safety requirements.

Exhaust Hose Installation

- Twist both ends of the hot-air exhaust hose(9) into the hose connector window end(8) and the hose connector air conditioner end(10).
- Insert the hose connector air conditioned end(10) into the openings at the back of the air conditioner.
- Fix the hose connector window end(8) to the nearest windowsill.



- Attach the Velcro around the entire window. Note: don't stick the Velcro onto the glass.
- Attach the cloth to the Velcro tape. Start with the narrow part and work from the center towards the rest of the Velcro tape, which is attached on the window frame and around the window.
- It may be useful to open the window while attaching the cloth. Make sure to leave enough room in the corners so the cloth won't get stuck in the window.
- Open the window kit's zipper by about 50 centimeters.
- Place the air conditioning hose in the opening of the cloth. After that, close the zipper until the air condition hose is placed.



Universal Window Kit Installation

- Clean the window and window frame with soap or detergent and make sure the entire window frame is dust and grease free.
- Cut the Velcro to the dimensions of the window with scissors.

USING THE APPLIANCE WITH CLIMATE APP



The appliance can be used manually with its built-in controls, remote control or you can use a smart phone or voice to control it. Before you begin, ensure the HomeWizard Climate app is downloaded. The HomeWizard Climate app is available on Android and iOS.

Pair your appliance to HomeWizard Climate app

- Make sure the appliance is powered.
- Open HomeWizard Climate APP.
- Create an account or if you already have a HomeWizard account, please log in using those details.
- Click "Add new Climate Device" to add a new device.
- Select the device you want to connect.
- Follow the instructions on the app to connect the appliance.

CLEANING MAINTENANCE

- Before cleaning, disconnect the unit from any electric supply outlet.
- First clean the surface with a neutral detergent and wet cloth, and then wipe it with a dry cloth.
- Do not use gasoline or other chemicals to clean the unit.
- Do not wash the unit directly.

Air filter

- The air filter should be cleaned once every two weeks.

- Open the air inlet grille and take off air filter.
- Clean the air filter with neutral detergent in lukewarm 40°C water and allow to dry (not in direct sunlight).
- Re-install the air filter into the inlet grille.

TROUBLESHOOTING

Troubles	Possible Causes	Suggested Remedies
The unit does not start when pressing power button.	<ul style="list-style-type: none"> • Water full indicator lamp blinks and water tank is full. • Room temperature is higher than the setting temperature. (Electric heating mode) • Room temperature is lower than the setting temperature. (Cooling mode) 	<ul style="list-style-type: none"> • Drain the water out of the water tank. • Adjust the temperature.

The unit doesn't cool enough.	<ul style="list-style-type: none"> The doors or windows are not closed. There are heat sources inside the room. Hot air exhaust hose is not connected or blocked. Temperature setting is too high. Air inlet in blocked. 	<ul style="list-style-type: none"> Make sure all the windows and doors are closed. Remove the heat sources if possible. Connect or clean the hot air exhaust hose. Reset the temperature. Clean the air inlet.
Noisy.	<ul style="list-style-type: none"> The ground is not level or not flat enough. The sound comes from the flowing of the refrigerant inside the air conditioner. 	<ul style="list-style-type: none"> Place unit on a flat, level ground if possible.
E0 Code	<ul style="list-style-type: none"> Room temperature sensor failed. 	<ul style="list-style-type: none"> Replace room temperature sensor.

E1 Code	<ul style="list-style-type: none"> Condenser temperature sensor failed 	<ul style="list-style-type: none"> Replace condenser temperature sensor.
E2 Code	<ul style="list-style-type: none"> Water tray full when cooling 	<ul style="list-style-type: none"> Take off rubber stopper and empty the water.
E3 Code	<ul style="list-style-type: none"> Pipe temperature sensor failed. 	<ul style="list-style-type: none"> Replace pipe temperature sensor.
E4 Code	<ul style="list-style-type: none"> Water tank full 	<ul style="list-style-type: none"> Please empty the water tank.

THE PRODUCT OR EQUIPMENT CONTAINS FLUORINATED GREENHOUSE GAS.

Art.nr.	352900
Coolant:	R290
Quantity in kg:	0.212
Global Warming Potential:	3
CO2 Equivalent in tonnes:	0.000636
Art.nr.	353200
Coolant:	R290

Quantity in kg:	0.226
Global Warming Potential:	3
CO2 Equivalent in tonnes:	0.000678

DECLARATION OF CONFORMITY

- Hereby, Smartwares Europe declares that the radio equipment type 352900 / 353200 are in compliance with Directive 2014/53/EU
- The full text of the EU declaration of conformity is available at the following internet address: www.princesshome.eu/doc

ENVIRONMENT



This appliance should not be put into the domestic garbage at the end of its durability, but must be offered at a central point for the recycling of electric and electronic domestic appliances. This symbol on the appliance, instruction manual and packaging puts your attention to this important issue. The materials used in this appliance can be recycled. By recycling of used domestic appliances

you contribute an important push to the protection of our environment. Ask your local authorities for information regarding the point of recollection.

The European directive for batteries (2006/66/EC) states that it is not permitted to throw batteries away with the household waste. They may contain substances which are harmful to the environment. Empty batteries can be handed over to a local, public collection point or a local recycling centre. To avoid overheating as a result of a short circuit, lithium batteries must be removed from the product and the poles must be protected using insulation tape or some other means against short-circuiting.

VEILIGHEID

- Lees deze gebruiksaanwijzing zorgvuldig door voor een correct(e) gebruik, onderhoud en installatie.
- Als u de veiligheidsinstructies negeert, kan de fabrikant niet verantwoordelijk worden gehouden voor de mogelijke schade.
- Het apparaat is alleen geschikt voor gebruik binnenshuis.
- Sluit het apparaat niet aan op een stopcontact dat beschadigd is of niet correct is geïnstalleerd.
- Gebruik het apparaat niet:
 - in de buurt van vuur.
 - in een gebied met een grote kans op spattende olie.
 - in een gebied dat wordt blootgesteld aan direct zonlicht.
 - in een gebied met een grote kans op spattend water.
 - in de buurt van een bad, douche of zwembad.
- Steek nooit uw vingers of voorwerpen in de luchtuitlaat. Waarschuw vooral kinderen voor deze gevaren.
- Zorg dat het apparaat rechtop blijft staan wanneer u het vervoert en opbergt.
- Zorg dat u altijd de stroomtoevoer uitschakelt en loskoppelt voordat u het apparaat reinigt.
- Zorg dat u altijd de stroomtoevoer uitschakelt en loskoppelt voordat u het apparaat verplaatst.
-  **WAARSCHUWING:** Om brandgevaar te voorkomen raden we u aan het apparaat niet te bedekken.
- Alle aansluitingen van het apparaat moeten voldoen aan de lokale veiligheidsvoorschriften voor elektriciteit. Controleer zo nodig of dit het geval is.
- Als het netsnoer beschadigd is, moet het worden vervangen door de fabrikant, de onderhoudsmonteur van de fabrikant of door personen met een soortgelijke kwalificatie om gevaar te voorkomen.
- Dit apparaat mag door kinderen jonger dan 8 jaar, personen met verminderde lichamelijke, zintuiglijke of verstandelijke capaciteiten of gebrek aan kennis worden gebruikt, mits dit gebeurt onder goed toezicht of zij juiste instructies hebben gekregen over het gebruik van het apparaat en de gevaren van

het gebruik begrijpen. Kinderen mogen niet spelen met het apparaat. Het apparaat mag niet zonder toezicht worden gereinigd of onderhouden door kinderen.

- Dit apparaat is uitsluitend voor huishoudelijk gebruik en voor het doel waar het voor bestemd is.
- Opmerkingen:
 - In geval van schade schakelt u het apparaat uit, koppelt u de stroomtoevoer los en neemt u contact op met de dealer of een aangewezen reparatiebedrijf.
 - Het netsnoer moet altijd stevig worden geaard.
 - Om gevaarlijke situaties te voorkomen, moet u de stroomtoevoer loskoppelen als het netsnoer is beschadigd. Laat het snoer vervangen door de dealer of een hiertoe aangewezen reparatiebedrijf.

Waarschuwing

- Volg uitsluitend het aanbevolen ontdooi- en reinigingsproces van de fabrikant. Probeer het ontdooi- of reinigingsproces op geen enkele andere manier te versnellen.

- Het apparaat moet worden opgeslagen in een ruimte zonder voortdurend werkende ontstekingsbronnen (bijvoorbeeld: open vlammen, een werkend gasapparaat of een werkende elektrische verwarming).
- Doorboor of verbrand het apparaat niet.
- Houd er rekening mee dat koelmiddelen geurloos kunnen zijn.
- Het apparaat moet worden geïnstalleerd, gebruikt en opgeslagen in een ruimte met een vloeroppervlak van meer dan X m². (X=12 voor 9000 Btu/u; X=15 voor 12000 Btu/u)
- Neem uitsluitend contact op met een bevoegde onderhoudsmonteur voor reparatie- of onderhoudswerkzaamheden aan dit apparaat.
- Trek niet aan het netsnoer en vervorm of wijzig het niet. Dompel het ook niet onder in water. Door aan het netsnoer te trekken of het verkeerd te gebruiken, kunt u het apparaat beschadigen en een elektrische schok veroorzaken.
- Het is verplicht de nationale gasvoorschriften in acht te nemen.
- Zorg dat de ventilatieopeningen niet worden geblokkeerd.

- Reparatiewerkzaamheden mogen alleen worden uitgevoerd voor zover deze zijn aanbevolen door de fabrikant van de apparatuur. Onderhouds- en reparatiewerkzaamheden waarbij de hulp van ander geschoold personeel nodig is, moeten worden uitgevoerd onder toezicht van een of meer personen die bekwaam zijn in het gebruik van brandbare koelmiddelen.
- Stop het apparaat niet door het netsnoer uit het stopcontact te trekken terwijl het apparaat is ingeschakeld. De warmte die hierbij ontstaat, kan namelijk een elektrische schok of brand veroorzaken. De enige situaties waarin u dit wel mag doen, is als u vreemde geluiden hoort, een vreemde geur ruikt of er rook uit het apparaat komt.



Specifieke informatie over apparaten met R290-koelgas.

- Lees alle waarschuwingen zorgvuldig door.

- Bij het ontdooien en reinigen van het apparaat mogen alleen de hulpmiddelen worden gebruikt die door het productiebedrijf worden aangeraden.
- Het apparaat mag niet worden opgeslagen in een ruimte met voortdurend werkende ontstekingsbronnen (bijvoorbeeld: open vuur, een werkend gasapparaat of een werkende elektrische verwarming).
- Doorboren of verbranden is niet toegestaan.
- Dit apparaat bevat Y g (zie het typeplaatje aan de achterkant van het apparaat) R290-koelgas.
- R290 is een koelgas dat voldoet aan de Europese milieuriichtlijnen. Doorboor geen enkel deel van het koelcircuit.
- Als het apparaat wordt geïnstalleerd, gebruikt of opgeslagen in een niet-geventileerde ruimte, moet de ruimte zijn ontworpen om de ophoping van koelmiddel in geval van lekkages te voorkomen. Koelmiddel lekkages kunnen de kans op brand of explosies vergroten doordat elektrische verwarming, fornuizen of andere ontstekingsbronnen ervoor zorgen dat het koelmiddel ontbrandt.

- Het apparaat moet dusdanig worden opgeslagen dat mechanische storingen worden voorkomen.
- Mensen die werken aan het koelcircuit of het bedienen, moeten in het bezit te zijn van de juiste certificering, die is verleend door een geaccrediteerde organisatie en die garandeert dat ze vaardig zijn in de omgang met koelmiddelen in overeenstemming met een specifieke evaluatie die wordt erkend door brancheverenigingen.
- Reparaties moeten worden uitgevoerd op basis van de aanbevelingen van het productiebedrijf. Onderhouds- en reparatiewerkzaamheden waarbij de hulp van ander geschoold personeel is vereist, moeten worden uitgevoerd onder het toezicht van degene die kundig is in het gebruik van brandbare koelmiddelen.

Batterijen

- Stel de batterijen niet bloot aan hoge temperaturen of direct zonlicht. Werp batterijen nooit in open vuur. Dit kan leiden tot explosies.
- Houd batterijen buiten bereik van kinderen. Batterijen zijn geen speelgoed.
- Forceer de batterijen niet open.
- Vermijd contact met metalen objecten (ringen, spijkers, schroeven, enzovoort). Dit kan namelijk leiden tot kortsluiting.
- Door kortsluiting kunnen batterijen zeer heet worden of zelfs ontbranden. Dit kan leiden tot brandwonden.
- Voor uw veiligheid worden de batterijpolen afgedekt met plakstrips tijdens het transport.
- Raak gebarsten en/of lekkende batterijen niet aan. Als de vloeistof uit de batterij in contact komt met uw ogen, moet u uw ogen zo snel mogelijk spoelen met schoon water. Wrijf hierbij niet in uw ogen. Ga direct naar het ziekenhuis. Als dit niet juist wordt behandeld, kan dit leiden tot oogproblemen.

Koelmiddel

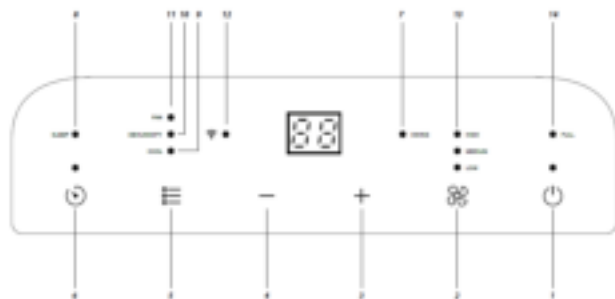
(CE) N 842/2006: Dit apparaat bevat het koelmiddel R290. De hoeveelheid koelmiddel bedraagt minder dan 1 kg en het koelmiddel bevindt zich in een gesloten koelcircuit. Het koelmiddel draagt niet bij aan ozonafbraak, maar is volgens het Kyotoprotocol wel een broeikasgas en kan daardoor bijdragen aan de opwarming van de aarde wanneer het in de atmosfeer terechtkomt. Daarom mogen vul- en leegwerkzaamheden alleen worden uitgevoerd door gekwalificeerde technici met een koelcertificaat. Het apparaat hoeft niet opnieuw met koelmiddel te worden gevuld als het correct wordt gebruikt en het koelcircuit onbeschadigd is. GWP (aardopwarmingsvermogen): R290: 3

BESCHRIJVING VAN ONDERDELEN

1. Luchtinlaat	8. Slangaansluiting (raamuiteinde)
2. Luchtfilter	9. Afvoerslang voor warme lucht
3. Bedieningspaneel	10. Slangaansluiting (airconditioner-uiteinde)
4. Netsnoer	11. Raamafdichting + klittenband
5. Luchtuitlaat	12. Afstandsbediening
6. Zwenkwiel	13. Batterijen
7. Afvoergat	

1	Aan/uit	8	Slaapstand
2	Ventilatorsnelheid	9	Indicator voor koelen
3	Temperatuur omhoog	10	Indicator voor ontvochtigen
4	Temperatuur omlaag	11	Indicator voor ventilator
5	Modusknop	12	Indicator voor wifi
6	Timer aan/uit	13	Indicator voor hoge/ gemiddelde/lage ventilatorsnelheid
7	Zwenken aan/uit	14	Indicator voor vol waterreservoir

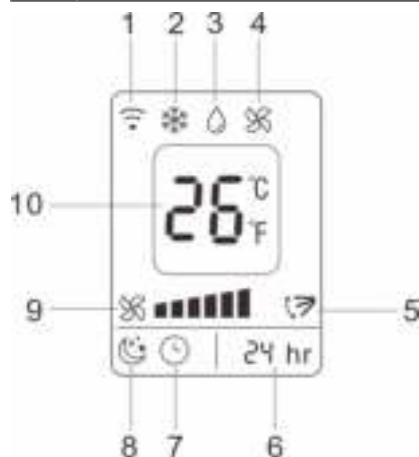
WERKING VAN HET BEDIENINGSPANEEL



AFSTANDSBEDIENING MET LCD-DISPLAY



1	Aan/uit
2	Timer aan/uit
3	Modus
4	Selectietoets voor °C / °F
5	Temperatuur omhoog
6	Temperatuur omlaag
7	Led-display
8	Automatisch zwenken
9	Ventilatorsnelheid
10	Slaapstand



1	Ontvangt signaal
2	Koelen
3	Ontvochtigen
4	Ventilator
5	Automatisch zwenken
6	Tijdnotatie
7	Timer aan/uit
8	Slaapstand
9	Ventilatorsnelheid
10	Temperatuurdisplay

NL

- Er zijn 2 AAA-batterijen vereist.
- Controleer of u de batterijen in de juiste richting hebt geplaatst.
- Zorg er bij het vervangen voor dat beide batterijen tegelijk worden vervangen.
- Druk op de toetsen die corresponderen met de uitleg voor het bedieningspaneel om de ventilator te bedienen.

VÓÓR HET EERSTE GEBRUIK

Voordat u de handelingen in dit gedeelte uitvoert:

- Kies een geschikte locatie in de buurt van een stroomvoorziening.
- Installeer de afvoerslang en zorg dat het raam in de juiste stand staat.
- Sluit het netsnoer aan op een geaard stopcontact van AC 220~240 V/50 Hz.

- Druk op de aan/uit-knop om de airconditioner in te schakelen.
- Controleer of de afvoerslang correct is gemonteerd.
- Stel het temperatuurbereik in: 16°C-31°C.
- Wanneer u koel- en ontvochtigingsfuncties gebruikt, moet u minstens 3 minuten wachten tussen het uit- en inschakelen.

DE TOETSEN OP HET APPARAAT GEBRUIKEN

Bediening van koelfunctie

- Druk op de modusknop tot het pictogram voor koeling wordt weergegeven.
- Druk op de toetsen + <Temperatuur omhoog> en - <Temperatuur omlaag> om de gewenste temperatuur voor de ruimte te selecteren.
- Het duurt ongeveer 5 minuten voordat het koelen wordt gestart.
- Druk op de toets voor de ventilatorsnelheid om de snelheid van de luchtstroom aan te passen.

Bediening van ontvochtigingsfunctie

- Druk op de modusknop tot het pictogram voor ontvochtiging wordt weergegeven.
- De temperatuur wordt automatisch geselecteerd.
- De ventilatorsnelheid wordt automatisch geselecteerd.

Bediening van ventilator

- Druk op de modusknop tot het pictogram voor de ventilator wordt weergegeven.
- Druk op de toets voor de ventilatorsnelheid om de snelheid van de luchtstroom aan te passen.

Bediening van timer

Inschakeltijd van timer instellen

- Wanneer de airconditioner is uitgeschakeld, drukt u op de timertoets en selecteert u de gewenste inschakeltijd met behulp van de toetsen + <Temperatuur omhoog> en - <Temperatuur omlaag>.

- De inschakeltijd kan worden ingesteld tussen 0 en 24 uur.

Uitschakeltijd van timer instellen

- Wanneer de airconditioner is ingeschakeld, drukt u op de timertoets en selecteert u de gewenste uitschakeltijd met behulp van de toetsen + <Temperatuur omhoog> en - <Temperatuur omlaag>.

- De uitschakeltijd kan worden ingesteld tussen 0 en 24 uur.

Bediening van zwenkfunctie (oscillatiemodus)

- Druk op deze toets om de oscillatiemodus te starten. De ventilatiejaloezie beweegt voortdurend omhoog en omlaag. Druk opnieuw op de toets om het bewegen te stoppen.

Bediening van slaapstand

- Druk in de koelmodus op de slaapstandknop om de temperatuur in te stellen. De ingestelde temperatuur wordt binnen een uur met 1 graad verhoogd tot een maximum van 2 graden na 2 uur.
- Druk op de slaapstandknop om de werking te annuleren.

Water afvoeren

- Wanneer u het apparaat lange tijd hebt gebruikt en voordat u het opslaat, moet u het opgehoopte water afvoeren. Bereid een geschikte locatie of bak voor om het water op te vangen. Verwijder vervolgens de rubberen stop uit het afvoergat aan de onderkant van het apparaat. Het water loopt nu uit het apparaat. Als er geen water meer uit het apparaat loopt, kunt u de afvoerstop aanbrengen.

Alarmfunctie voor vol intern waterreservoir

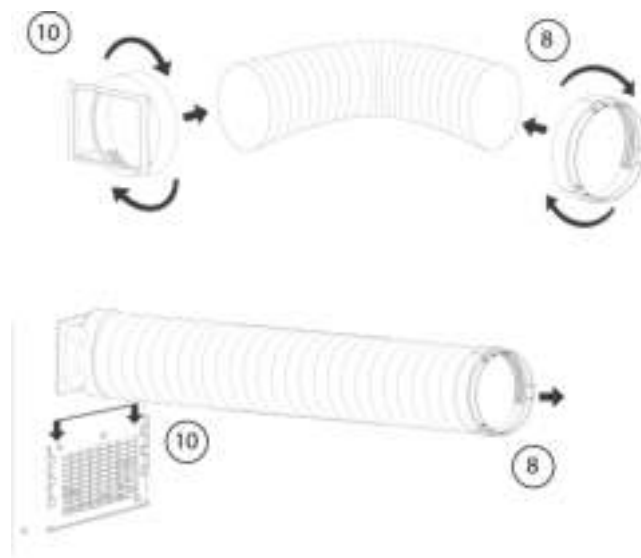
- Het interne waterreservoir van de airconditioner is uitgerust met een veiligheidsschakelaar om het waterpeil te controleren. Wanneer het waterpeil een verwachte hoogte bereikt, gaat er een indicator branden om aan te geven dat het waterreservoir vol is. Voer de vorige stappen uit om het water af te voeren.

INSTALLATIE

- De airconditioner moet op een vlak en stabiel oppervlak worden geïnstalleerd. Blokkeer de luchtuitlaat niet en houd minstens 30 cm ruimte vrij rond het apparaat.
- De bedrading moet voldoen aan de lokale veiligheidsvoorschriften voor elektriciteit.

Installatie van afvoerslang

- Draai beide uiteinden van de afvoerslang voor warme lucht (9) in het raamuiteinde van de slangaansluiting (8) en in het airconditioner-uiteinde van de slangaansluiting (10).
- Steek het airconditioner-uiteinde (10) van de slang in de opening aan de achterkant van de airconditioner.
- Zet het raamuiteinde (8) van de slangaansluiting vast aan het dichtstbijzijnde raamkozijn.



NL

Montage van universele raamset

- Maak het raam en het kozijn schoon met zeep of een schoonmaakmiddel en zorg dat het hele kozijn stof- en vetvrij is.
- Knip het klittenband met een schaar in de afmetingen van het raam.

Gebruiksaanwijzing

- Breng het klittenband aan rond het hele raam. Opmerking: plak het klittenband niet op het glas.
- Bevestig het doek aan de klittenbandtape. Begin met het smalle deel en werk vanaf het midden in de richting van de overige klittenbandtape die op het kozijn en rond het raam is aangebracht.
- Het kan handig zijn om het raam te openen terwijl u het doek aanbrengt. Zorg dat u in de hoeken voldoende ruimte overlaat, zodat het doek niet vast komt te zitten tussen het raam.
- Open de ritssluiting van de raamset zo'n 50 centimeter.
- Steek de slang van de airconditioning in de opening in het doek. Sluit vervolgens de ritssluiting totdat de slang op zijn plaats zit.



HET APPARAAT GEBRUIKEN MET DE CLIMATE-APP



Het apparaat kan met de ingebouwde bedieningselementen handmatig worden bediend, u kunt de afstandsbediening gebruiken of u kunt een smartphone of spraak gebruiken voor de bediening. Voordat u begint, moet u de HomeWizard Climate-app downloaden. De HomeWizard Climate-app is beschikbaar voor Android en iOS.

Het apparaat koppelen aan de HomeWizard Climate-app

- Zorg ervoor dat het apparaat is ingeschakeld.
- Open de HomeWizard Climate-app.
- Maak een account aan. Als u al een HomeWizard-account hebt, meldt u zich aan met uw gegevens.
- Klik op 'Add New Climate Device' (Nieuw klimaatapparaat toevoegen) om een nieuw apparaat toe te voegen.
- Selecteer het apparaat dat u wilt verbinden.
- Volg de instructies in de app om het apparaat te verbinden.

SCHOONMAAKONDERHOUD

- Koppel het apparaat los van het stopcontact voordat u het reinigt.
- Maak het oppervlak eerst schoon met een neutraal schoonmaakmiddel en een natte doek en vervolgens met een droge doek.

- Gebruik geen benzine of andere chemicaliën om het apparaat schoon te maken.
- Was het apparaat niet direct.

Luchtfilter

- Het luchtfilter moet om de twee weken worden gereinigd.
- Open het rooster van de luchtinlaat en verwijder het luchtfilter.
- Reinig het luchtfilter met een neutraal reinigingsmiddel in lauw water van 40°C en laat het drogen (niet in direct zonlicht).
- Plaats het luchtfilter terug in het inlaatrooster.

PROBLEMEN OPLOSSEN

Probleem	Mogelijke oorzaken	Voorgestelde oplossingen
Het apparaat wordt niet ingeschakeld wanneer u op de aan/uit-toets drukt.	<ul style="list-style-type: none"> • De indicator voor het waterreservoir knippert en het reservoir is vol. • De kamertemperatuur is hoger dan de ingestelde temperatuur (elektrische-verwarmingsmodus). • De kamertemperatuur is lager dan de ingestelde temperatuur (koelmodus). 	<ul style="list-style-type: none"> • Laat het water uit het waterreservoir lopen. • Wijzig de temperatuur.

NL

Gebruiksaanwijzing

<p>Het apparaat koelt niet voldoende.</p>	<ul style="list-style-type: none"> • Deuren of ramen zijn niet gesloten. • Er bevinden zich warmtebronnen in de ruimte. • De afvoerslang voor warmte lucht is niet aangesloten of wordt geblokkeerd. • De temperatuur is te hoog ingesteld. • De luchtinlaat wordt geblokkeerd. 	<ul style="list-style-type: none"> • Zorg dat alle ramen en deuren gesloten zijn. • Verwijder de warmtebronnen zo mogelijk. • Sluit de afvoerslang voor warmte lucht aan of reinig de slang. • Stel de temperatuur opnieuw in. • Reinig de luchtinlaat.
<p>Het apparaat maakt veel geluid.</p>	<ul style="list-style-type: none"> • De ondergrond is niet waterpas of niet vlak genoeg. • Het geluid wordt veroorzaakt door het koelmiddel dat door de airconditioner stroomt. 	<ul style="list-style-type: none"> • Plaats het apparaat zo mogelijk op een vlakke ondergrond die waterpas is.

<p>Code E0.</p>	<ul style="list-style-type: none"> • De sensor voor de ruimtetemperatuur is defect. 	<ul style="list-style-type: none"> • Vervang de sensor voor de ruimtetemperatuur.
<p>Code E1.</p>	<ul style="list-style-type: none"> • De sensor voor de condensortemperatuur is defect. 	<ul style="list-style-type: none"> • Vervang de sensor voor de condensortemperatuur.
<p>Code E2.</p>	<ul style="list-style-type: none"> • Het waterreservoir is volgeraakt tijdens het koelen. 	<ul style="list-style-type: none"> • Verwijder de rubberen stop en maak het waterreservoir leeg.
<p>Code E3.</p>	<ul style="list-style-type: none"> • De sensor voor de pijptemperatuur is defect. 	<ul style="list-style-type: none"> • Vervang de sensor voor de pijptemperatuur.
<p>Code E4.</p>	<ul style="list-style-type: none"> • Het waterreservoir is vol. 	<ul style="list-style-type: none"> • Maak het waterreservoir leeg.

HET PRODUCT OF APPARAAT BEVAT GEFLUOREERD BROEIKASGAS.

Art.nr.	352900
Koelmiddel:	R290
Hoeveelheid in kg:	0,212
Aardopwarmingsvermogen (GWP):	3
CO2-equivalent in ton:	0,000636
Art.nr.	353200
Koelmiddel:	R290
Hoeveelheid in kg:	0,226
Aardopwarmingsvermogen (GWP):	3
CO2-equivalent in ton:	0,000678

CONFORMITEITSVERKLARING

- Hierbij verklaart Smartwares Europe dat de radioapparatuur van het type 352900/353200 voldoet aan de richtlijn 2014/53/EU
- De volledige tekst van de EU-conformiteitsverklaring is beschikbaar op het volgende internetadres:
www.princesshome.eu/doc


MILIEU



Het apparaat mag niet worden weggegooid met het huisvuil na beëindiging van de nuttige levensduur, maar moet worden ingeleverd op een centraal punt voor de recycling van elektrische en elektrische huishoudelijke apparaten. Dit symbool op het apparaat, in de instructiehandleiding en op de verpakking vestigt de aandacht op dit belangrijke punt. De materialen die in dit apparaat zijn gebruikt kunnen worden gerecycled. Door gebruikte huishoudelijke apparaten te recyclen, draagt u in belangrijke mate bij aan de bescherming van ons milieu. Vraag uw plaatselijke autoriteiten om inlichtingen over het inzamelpunt.

Volgens de Europese richtlijn voor batterijen (2006/66/EC) is het niet toegestaan om batterijen weg te gooien als huishoudelijk afval. Ze kunnen stoffen bevatten die schadelijk zijn voor het milieu. U kunt lege batterijen inleveren bij een lokaal openbaar inzamelpunt of een lokaal recyclingpunt. Om oververhitting als gevolg van kortsluiting te voorkomen moeten lithiumbatterijen uit het product worden verwijderd en moeten de polen met isolatietape of een ander materiaal worden afgeschermd.

SÉCURITÉ

- Veuillez lire attentivement ce mode d'emploi pour veiller à une utilisation, un entretien et une installation appropriées.
 - Si vous ignorez les consignes de sécurité, le fabricant ne peut être tenu pour responsable des dommages.
 - L'appareil est uniquement conçu pour un usage intérieur.
 - Ne pas utiliser l'appareil sur une prise de courant endommagée ou mal installée.
 - Ne pas utiliser l'appareil :
 - près d'une source d'ignition.
 - à proximité d'éclaboussures possibles d'huile.
 - dans un espace exposé à la lumière directe du soleil.
 - à proximité d'éclaboussures possibles d'eau.
 - près d'un bain, d'une douche ou d'une piscine.
 - Ne jamais insérer les doigts ou d'autres objets dans la sortie d'air. Soyez particulièrement attentif à avertir les enfants de ces dangers.
- Maintenir l'appareil vers le haut pendant le transport et le stockage.
 - Toujours couper l'alimentation ou déconnecter l'appareil avant de le nettoyer.
 - Toujours couper l'alimentation et le débrancher avant de déplacer l'appareil.
 -  **AVERTISSEMENT** : Pour éviter tout risque d'incendie, ne pas couvrir l'appareil.
 - Toutes les prises doivent être conformes aux exigences locales de sécurité électrique. Vérifiez si nécessaire.
 - Si le cordon d'alimentation est endommagé, il doit être remplacé par le fabricant, son réparateur ou des personnes qualifiées afin d'éviter tout risque.
 - Cet appareil peut être utilisé par des enfants à partir de 8 ans et par des personnes ayant des capacités physiques, sensorielles ou mentales réduites ou un manque d'expérience et de connaissances si elles bénéficient d'une supervision ou d'instructions concernant l'utilisation de l'appareil en toute sécurité et comprennent les risques que cela suppose. Les enfants

ne doivent pas jouer avec l'appareil. Le nettoyage et l'entretien ne peuvent être assurés par des enfants sans surveillance.

- Cet appareil est uniquement destiné à des utilisations domestiques et seulement dans le but pour lequel il est fabriqué.
- Remarques :
 - En cas de dommages, couper l'alimentation électrique et contacter le distributeur ou un atelier de réparation agréé.
 - Dans tous les cas, le cordon d'alimentation doit être solidement mis à la terre.
 - Pour éviter tout risque, si le cordon d'alimentation est endommagé, veuillez couper l'alimentation électrique. Veuillez contacter le distributeur ou un atelier de réparation agréée pour le remplacer.

Avertissement

- Veuillez utiliser uniquement le procédé de décongélation et de nettoyage recommandé par le fabricant. Ne jamais accélérer le processus de décongélation ou de nettoyage autrement.

- L'appareil doit être entreposé dans un local sans source d'inflammation permanente (par exemple : flammes nues, appareil à gaz en fonctionnement ou chauffage électrique en fonctionnement).
- Ne pas percer ou brûler.
- Attention, les réfrigérants ne doivent contenir aucun parfum.
- L'appareil doit être installé, actionné et entreposé dans un local d'une superficie supérieure à X m². (X=12 pour 9 000 Btu/h (2,64 kW) ; X=15 pour 12 000 Btu/h (3,52 kW))
- Contactez uniquement un technicien de service agréé pour la réparation ou la maintenance de cette unité.
- Ne tirez pas sur le cordon d'alimentation, ne le déformez ou ne le modifiez pas, et ne l'immergez pas dans de l'eau. Tirer ou mal utiliser le cordon d'alimentation peut endommager l'appareil et provoquer une électrocution.
- Attention à respecter la réglementation nationale relative au gaz.
- Veillez à ce que les ouvertures de ventilation ne soient pas obstruées.

- L'entretien ne doit être effectué que selon les recommandations du fabricant de l'équipement. L'entretien et les réparations nécessitant l'assistance d'un autre personnel qualifié doivent être effectués sous la supervision de la ou des personnes compétentes pour l'utilisation des réfrigérants inflammables.
- N'arrêtez pas l'appareil en insérant ou en retirant la fiche d'alimentation pendant qu'il fonctionne, cela pourrait provoquer un choc électrique ou un incendie sous l'effet de la chaleur, à moins d'entendre des bruits bizarres, de sentir une odeur inhabituelle ou de voir de la fumée sortir de l'appareil.



Informations spécifiques concernant les appareils avec un gaz réfrigérant R 290.

- Lisez attentivement tous les avertissements.

- Pour dégivrer et nettoyer l'appareil, n'utilisez pas d'autres outils que ceux recommandés par le fabricant.
- L'appareil ne doit pas être entreposé dans un local avec une source d'inflammation permanente (par exemple : flammes nues, appareil à gaz en fonctionnement ou chauffage électrique en fonctionnement).
- Ne pas percer, ni brûler.
- Cet appareil contient Y g (voir la plaque signalétique au dos de l'appareil) de gaz réfrigérant R290.
- Le gaz R290 est un gaz réfrigérant conforme aux directives européennes sur l'environnement. Ne percer aucun élément du circuit de réfrigération.
- Si l'appareil est installé, utilisé ou entreposé dans un endroit non ventilé, le local doit être conçu de façon à prévenir l'accumulation de fuites de réfrigérant qui pourraient entraîner un risque d'incendie ou d'explosion en raison de l'inflammation du réfrigérant par des appareils de chauffage électriques, des poêles ou d'autres sources d'inflammation.
- L'appareil doit être entreposé de manière à éviter toute défaillance mécanique.

- Toute personne actionnant ou travaillant sur le circuit de réfrigération doit disposer de la certification appropriée émise par une organisation accréditée veillant à sa compétence quant à la manipulation de réfrigérants conformément à une évaluation spécifique agréée par des associations du secteur.
- Les réparations doivent être effectuées sur la base des recommandations du fabricant. L'entretien et les réparations nécessitant l'assistance d'un autre personnel qualifié doivent être effectués sous la supervision de la personne compétente pour l'utilisation des réfrigérants inflammables.
- Éviter tout contact avec des objets métalliques (bagues, clous, vis, etc.), car il y a un risque de court-circuit.
- En cas de court-circuit, les batteries peuvent chauffer de manière importante ou même prendre feu, ce qui peut entraîner des brûlures.
- Pour votre sécurité, les bornes de la batterie sont recouvertes de bandes adhésives pendant le transport.
- Ne jamais toucher une batterie cassée et/ou présentant une fuite. Si le liquide de la batterie entre en contact avec vos yeux, les rincer dès que possible avec de l'eau propre, sans frotter. Se rendre ensuite immédiatement à l'hôpital. Si le problème n'est pas correctement traité, cela pourrait causer des troubles oculaires.

Batteries

- Ne pas exposer les batteries à des températures élevées ou à la lumière directe du soleil. Ne jamais jeter les batteries dans un feu. Il y a un risque d'explosion !
- Conserver les batteries hors de la portée des enfants. Les batteries ne sont pas un jouet !
- Ne jamais essayer d'ouvrir les batteries par la force.

Réfrigérant

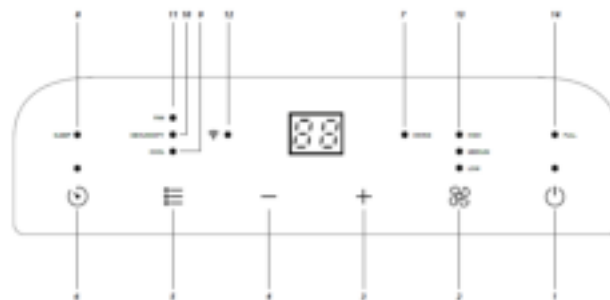
(CE) N 842/2006 : Cet appareil contient du réfrigérant R290. Ce réfrigérant pèse moins de 1 kg et se trouve dans un circuit de refroidissement fermé. Le liquide de refroidissement n'a aucun potentiel d'appauvrissement de la couche d'ozone, mais il s'agit d'un gaz à effet de serre au sens du protocole de Kyoto et peut donc contribuer au réchauffement planétaire, s'il est rejeté dans l'atmosphère. C'est pourquoi seuls des techniciens qualifiés disposant d'un certificat de réfrigérant peuvent effectuer un

remplissage ou une vidange. Votre appareil n'a pas besoin d'être rempli de réfrigérant s'il est utilisé correctement et si son circuit de refroidissement n'est pas endommagé. PRP : R290 : 3

DESCRIPTION DES PIÈCES

1. Entrée d'air	8. Raccord de tuyau (côté fenêtre)
2. Filtre à air	9. Tuyau d'évacuation d'air chaud
3. Panneau de commande	10. Raccord de tuyau (Côté climatiseur)
4. Cordon d'alimentation	11. Joint de fenêtre + Velcro
5. Sortie d'air	12. Télécommande
6. Roulette	13. Batteries
7. Orifice de drainage	

FONCTION DU PANNEAU DE COMMANDE

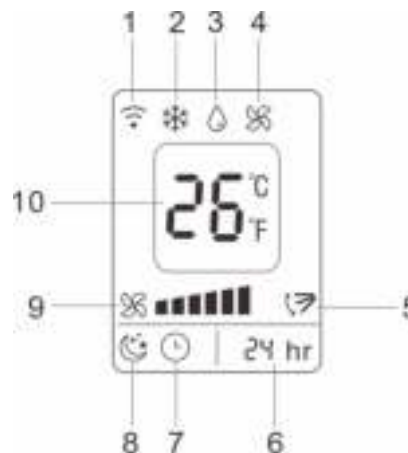


1	Marche/Arrêt	8	Mode veille
2	Vitesse du ventilateur	9	Indicateur de refroidissement
3	Augmenter la température	10	Indicateur de déshumidification
4	Baisser la température	11	Indicateur de ventilateur
5	Bouton de mode	12	Indicateur Wi-Fi
6	Bouton Marche/Arrêt du minuteur	13	Indicateur de vitesse Élevée/Moyenne/Basse du ventilateur
7	Bouton Marche/Arrêt de l'oscillation	14	Indicateur de réservoir d'eau plein

TÉLÉCOMMANDE AVEC AFFICHAGE LCD



1	Marche/Arrêt
2	Bouton Marche/Arrêt du minuteur
3	Mode
4	Sélecteur °C / °F
5	Augmenter la température
6	Baisser la température
7	Affichage LED
8	Oscillation automatique
9	Vitesse du ventilateur
10	Mode veille



1	Réception du signal
2	Refroidissement
3	Déshumidification
4	Ventilateur
5	Oscillation automatique
6	Minuteur
7	Bouton Marche/Arrêt du minuteur
8	Mode veille
9	Vitesse du ventilateur
10	Affichage de la température

FR

- 2 piles AAA sont requises.
- Assurez-vous que les piles sont insérées dans le bon sens.
- Quand vous remplacez les piles, assurez-vous de le faire simultanément.
- Appuyez sur les boutons correspondants comme expliqué dans la partie Panneau de commande pour faire fonctionner le ventilateur.

AVANT LA PREMIÈRE UTILISATION

Avant de commencer les opérations dans cette section :

- Trouvez un endroit près d'une source d'alimentation électrique.
- Posez le tuyau d'évacuation et réglez bien la position de la fenêtre.
- Insérez le cordon d'alimentation dans une prise de courant AC220~240V/50Hz mise à la terre.
- Appuyez sur le bouton Marche/Arrêt pour allumer le climatiseur.
- Vérifiez si le tuyau d'évacuation a été monté correctement.
- Réglez la plage de températures : 16 °C-31°C.
- Lors de l'utilisation des fonctions de refroidissement et de déshumidification, prévoir au moins 3 minutes entre la mise hors tension et la mise sous tension.

UTILISATION DES BOUTONS SUR L'APPAREIL

Refroidissement

- Appuyez sur le bouton mode jusqu'à ce que l'icône « Cool » apparaisse.
- Appuyez sur + <Augmenter la température> ou - <Baisser la température> pour régler la température souhaitée.

- Attendre environ 5 minutes que le refroidissement démarre.
- Appuyez sur le bouton de vitesse du ventilateur (« Fan speed ») pour régler la vitesse du débit d'air.

Déshumidification

- Appuyez sur le bouton « Mode » jusqu'à ce que l'icône « Wind » apparaisse.
- La température est sélectionnée automatiquement.
- La vitesse du ventilateur est sélectionnée automatiquement.

Ventilation

- Appuyez sur le bouton mode jusqu'à ce que l'icône « Fan » apparaisse.
- Appuyez sur le bouton de vitesse du ventilateur (« Fan speed ») pour régler la vitesse du débit d'air.

Minuterie

Réglage de minuterie activée

- Lorsque le climatiseur est éteint, appuyez sur la touche de minuterie (« Timer »), sélectionnez l'heure de mise en marche (ON) désirée et réglez-la à l'aide des boutons + <Augmenter la température> et - <Baisser la température>.
- L'heure de mise en marche peut être réglée à n'importe quel moment entre 0 et 24 heures.

Réglage de minuterie désactivée

- Lorsque le climatiseur est allumé, appuyez sur la touche de minuterie (« Timer »), sélectionnez l'heure d'extinction (OFF) désirée et réglez-la à l'aide des boutons + <Augmenter la température> et - <Baisser la température>.
- L'heure de désactivation peut être réglée à n'importe quel moment entre 0 et 24 heures.

Mode oscillation

- Appuyez sur ce bouton pour démarrer le mode oscillation : le diffuseur oscille continuellement vers le haut et le bas. Appuyez à nouveau sur le bouton pour arrêter l'oscillation.

Veille

- En mode refroidissement, appuyez sur la touche « Sleep » pour régler la température. La température de consigne est augmentée de 1 degré en une heure jusqu'à un maximum de 2 degrés après 2 heures.
- Appuyez sur le bouton « Sleep » pour annuler l'opération.

Drainage

- Après une utilisation prolongée et avant le stockage, vous devrez vidanger l'eau recueillie. Préparez un emplacement ou un plateau approprié pour recueillir l'eau et retirez le bouchon en caoutchouc du trou de drainage situé au fond de l'appareil. Le drainage se mettra alors en route. Une fois cette opération terminée, vous pouvez insérer le bouchon de vidange.

Fonction d'alarme de niveau d'eau maximum dans le réservoir interne

- Le réservoir d'eau interne du climatiseur est muni d'un interrupteur de sécurité qui contrôle le niveau d'eau. Lorsque le niveau d'eau atteint la hauteur prévue, le témoin de niveau d'eau plein s'allume. Suivez les étapes précédentes pour vidanger l'eau.

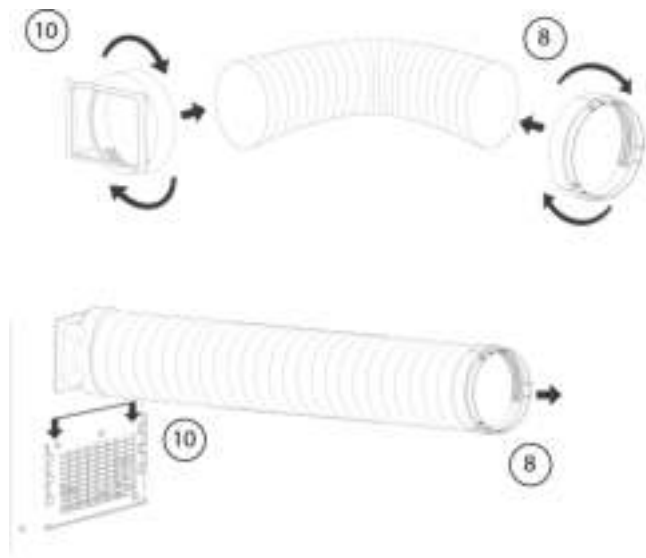
INSTALLATION

- Le climatiseur doit être installé sur une surface plane et stable. Ne bloquez pas la sortie d'air et laissez au moins 30 cm autour de l'appareil.

- Le raccordement aux prises doit être conforme aux exigences locales de sécurité électrique.

Installation de tuyau d'évacuation

- Tourner les deux extrémités du tuyau d'évacuation d'air chaud (9) dans le raccord de tuyau côté fenêtre (8) et dans le raccord de tuyau côté climatiseur (10).
- Insérez l'extrémité (10) du raccord de tuyau du climatiseur dans les ouvertures situées à l'arrière du climatiseur.
- Fixez (8) le raccord de tuyau côté fenêtre sur le rebord de fenêtre le plus proche.



- Coupez le velcro aux dimensions de la fenêtre à l'aide de ciseaux.
- Fixez le velcro autour de toute la fenêtre. NB : ne collez pas le velcro sur la vitre.
- Fixez le tissu à la bande Velcro. Commencez par la partie étroite et travaillez du centre vers le reste de la bande velcro, qui est fixée sur le cadre de la fenêtre et autour de la fenêtre.
- Il peut être utile d'ouvrir la fenêtre tout en attachant le tissu. Veillez à laisser suffisamment d'espace dans les coins pour que le tissu ne reste pas coincé dans la fenêtre.
- Ouvrez la fermeture éclair du kit de fenêtre d'environ 50 centimètres.
- Placez le tuyau du climatiseur dans l'ouverture du tissu. Fermez ensuite la fermeture éclair jusqu'à ce que le tuyau du climatiseur soit en place.

Installation du kit fenêtre universel

- Nettoyez la fenêtre et le cadre de la fenêtre avec du savon ou du détergent et assurez-vous que le cadre ne comporte plus de poussière et de graisse.



UTILISATION DE L'APPAREIL AVEC L'APPLI CLIMATE



Vous pouvez contrôler l'appareil manuellement avec ses commandes intégrées ou la télécommande, ou utiliser votre smartphone ou des commandes vocales. Avant de commencer, veillez à ce que l'appli Homewizard Climate soit téléchargée. L'appli Homewizard Climate existe pour Android et iOS.

Associez votre appareil à l'appli HomeWizard Climate.

- Assurez-vous que l'appareil est branché et allumé.
- Ouvrez l'appli HomeWizard Climate.
- Créez un compte, ou si vous avez déjà un compte HomeWizard, veuillez vous connecter à l'aide de ces détails.
- Cliquez sur « Add new Climate Device » pour ajouter un nouvel appareil.
- Sélectionnez l'appareil que vous voulez connecter.
- Suivez les instructions sur l'application pour connecter l'appareil.

NETTOYAGE ET ENTRETIEN

- Avant le nettoyage, débranchez l'appareil de toute prise électrique.
- Nettoyez d'abord la surface avec un détergent neutre et un chiffon humide, puis essuyez-la avec un chiffon sec.

- N'utilisez pas d'essence ou d'autres produits chimiques pour nettoyer l'appareil.
- Ne lavez pas l'appareil directement.

Filtre à air

- Le filtre à air doit être nettoyé toutes les deux semaines.
- Ouvrez la grille d'entrée d'air et enlevez le filtre à air.
- Nettoyez le filtre à air avec un détergent neutre dans de l'eau tiède à 40 °C et laissez-le sécher (à l'abri des rayons directs du soleil).
- Réinstallez le filtre à air dans la grille d'entrée d'air.

DÉPANNAGE

Résolution des pannes	Causes possibles	Solutions suggérées
L'unité ne démarre pas lorsqu'on appuie sur le bouton Marche/Arrêt.	<ul style="list-style-type: none"> Le témoin de réservoir d'eau plein clignote, mais le réservoir d'eau est plein. La température ambiante est supérieure à la température de réglage. (Mode chauffage électrique) La température ambiante est inférieure à la température de réglage. (Mode climatisation) 	<ul style="list-style-type: none"> Vidangez le réservoir d'eau. Réglez la température.

L'unité ne refroidit pas suffisamment.	<ul style="list-style-type: none"> Les portes ou fenêtres ne sont pas fermées. Il y a des sources de chaleur à l'intérieur de la pièce. Le tuyau d'évacuation d'air chaud n'est pas branché ou est bloqué. La température réglée est trop élevée. L'entrée d'air est bloquée. 	<ul style="list-style-type: none"> Assurez-vous que toutes les fenêtres et portes sont fermées. Supprimez les sources de chaleur, si possible. Raccordez ou nettoyez le tuyau d'évacuation d'air chaud. Réinitialisez la température. Nettoyez l'entrée d'air.
Appareil bruyant.	<ul style="list-style-type: none"> Le sol n'est pas horizontal ou pas assez plat. Le son provient de l'écoulement du réfrigérant à l'intérieur du climatiseur. 	<ul style="list-style-type: none"> Placez l'appareil sur un sol horizontal et plat, si possible.

Code E0	<ul style="list-style-type: none"> La sonde de température ambiante est défectueuse. 	<ul style="list-style-type: none"> Remplacez la sonde de température ambiante.
Code E1	<ul style="list-style-type: none"> La sonde de température du condensateur est défectueuse. 	<ul style="list-style-type: none"> Remplacez la sonde de température du condensateur.
Code E2	<ul style="list-style-type: none"> Le bac de récupération de l'eau est plein lors du refroidissement. 	<ul style="list-style-type: none"> Retirez la bonde en caoutchouc et videz l'eau.
Code E3	<ul style="list-style-type: none"> La sonde de température de la conduite est défectueuse. 	<ul style="list-style-type: none"> Remplacez la sonde de température de la conduite.
Code E4	<ul style="list-style-type: none"> Réservoir d'eau plein 	<ul style="list-style-type: none"> Vidangez le réservoir d'eau.

Quantité en kg :	0,212
Potentiel de réchauffement planétaire :	3
Équivalent CO2 en tonnes :	0,000636
Art. n°	353200
Liquide de refroidissement :	R290
Quantité en kg :	0,226
Potentiel de réchauffement planétaire :	3
Équivalent CO2 en tonnes :	0,000678

FR

DÉCLARATION DE CONFORMITÉ

- Par la présente, Smartwares Europe déclare que le type d'équipement radio 352900/353200 est en conformité avec la Directive 2014/53/UE.
- Le texte intégral de la déclaration de conformité est disponible à l'adresse internet suivante : www.princesshome.eu/doc

LE PRODUIT OU L'ÉQUIPEMENT CONTIENT DES GAZ À EFFET DE SERRE FLUORÉS.

Art. n°	352900
Liquide de refroidissement :	R290


ENVIRONNEMENT



Cet appareil ne doit pas être jeté avec les ordures ménagères en fin de vie, mais remis à un endroit centralisé de recyclage des appareils électriques et électroniques. Le symbole sur l'appareil, le mode d'emploi et l'emballage, attire votre attention sur ce point important. Les matériaux utilisés dans cet appareil peuvent être recyclés. En recyclant les appareils domestiques, vous contribuez de façon importante à la protection de notre environnement. Consultez les autorités locales pour obtenir des informations concernant le point de collecte.

La Directive européenne relative aux piles (2006/66/CE) stipule qu'il est interdit de jeter les piles avec les ordures ménagères. Elles peuvent contenir des substances nocives pour l'environnement. Les piles vides peuvent être remises à un point de collecte public local ou à un centre de recyclage local. Pour éviter une surchauffe due à un court-circuit, les piles au lithium doivent être retirées du produit et les pôles doivent être protégés contre les courts-circuits par un ruban isolant ou tout autre moyen.

SICHERHEIT

- Lesen Sie diese Bedienungsanleitung bitte aufmerksam, um die ordnungsgemäße Benutzung, Instandhaltung und Installation sicherzustellen.
- Beim Ignorieren der Sicherheitshinweise kann der Hersteller nicht für Schäden haftbar gemacht werden.
- Das Gerät ist nur für die Benutzung im Innenbereich vorgesehen.
- Benutzen Sie das Gerät nicht an einer Steckdose, die beschädigt oder nicht korrekt installiert ist.
- Benutzen Sie das Gerät nicht:
 - in der Nähe einer Feuerstelle
 - in Bereichen, in denen Öl verspritzt werden könnte
 - in Bereichen, die direkter Sonneneinstrahlung ausgesetzt sind
 - in Bereichen, in denen Wasser verspritzt werden könnte
 - in der Nähe einer Badewanne, Dusche oder eines Swimmingpools
- Stecken Sie keinesfalls Ihre Finger oder Gegenstände in die Luftauslassöffnung. Weisen Sie insbesondere Kinder auf solche Gefahren hin.
- Transportieren und lagern Sie das Gerät aufrecht.
- Schalten Sie stets die Spannungsversorgung aus oder trennen Sie das Netzteil ab, bevor Sie das Gerät reinigen.
- Schalten Sie das Gerät stets aus und trennen Sie es von der Spannungsversorgung ab, bevor Sie es bewegen.
-  **WARNUNG:** Decken Sie das Gerät nicht ab, weil andernfalls Brandgefahr besteht.
- Alle Steckdosen müssen den jeweils geltenden elektrischen Sicherheitsanforderungen entsprechen. Überprüfen Sie dies gegebenenfalls.
- Ist das Netzkabel beschädigt, muss es vom Hersteller, dem Kundendienst oder ähnlich qualifizierten Personen ersetzt werden, um Gefahren zu vermeiden.

DE

- Dieses Gerät darf von Kindern ab 8 Jahren und von Personen mit eingeschränkten körperlichen, sensorischen oder geistigen Fähigkeiten oder einem Mangel an Erfahrung und Kenntnissen verwendet werden, sofern diese Personen beaufsichtigt oder über den sicheren Gebrauch des Geräts unterrichtet wurden und die damit verbundenen Gefahren verstanden haben. Kinder dürfen mit dem Gerät nicht spielen. Reinigungs- und Wartungsarbeiten dürfen nicht von unbeaufsichtigten Kindern ausgeführt werden.
- Dieses Gerät darf nur für den Haushaltsgebrauch und nur für den Zweck benutzt werden, für den es hergestellt wurde.
- Hinweise:
 - Bei Schäden trennen das Netzkabel ab und wenden sich an den Händler oder einen autorisierten Reparaturbetrieb.
 - In jedem Fall muss das Netzkabel ordnungsgemäß geerdet sein.
 - Um bei einem beschädigten Netzkabel eine mögliche Gefahr zu vermeiden, unterbrechen Sie bitte die

Spannungsversorgung. Das Kabel muss vom Händler oder einem autorisierten Reparaturbetrieb ausgetauscht werden.

Warnung

- Verwenden Sie ausschließlich das vom Hersteller empfohlene Enteisungs- und Reinigungsverfahren. Das Enteisungs- und Reinigungsverfahren darf in keiner Weise beschleunigt werden.
- Das Gerät ist in einem Raum ohne kontinuierlich arbeitende Zündquellen zu lagern (z. B. offene Flammen, ein aktives Gasgerät oder eine aktive Elektroheizung).
- Nicht durchbohren oder verbrennen.
- Beachten Sie, dass Kältemittel geruchlos sein können.
- Das Gerät muss in einem Raum mit einer Grundfläche von mehr als X m² installiert, betrieben und gelagert werden. (X=12 für 9000 Btu/h; X=15 für 12000 Btu/h)
- Wenden Sie sich zwecks Reparatur oder Instandhaltung dieses Geräts ausschließlich an einen autorisierten Servicetechniker.

- Das Netzkabel darf weder gezogen, verformt oder verändert noch in Wasser getaucht werden. Ziehen am Netzkabel oder dessen unsachgemäße Benutzung kann zu Schäden am Gerät und zu einem Stromschlag führen.
- Die jeweils geltenden Gasverordnungen sind einzuhalten.
- Achten Sie darauf, dass die Lüftungsöffnungen stets frei durchlässig sind.
- Die Wartung darf nur entsprechend der Empfehlung des Geräteherstellers durchgeführt werden. Wartungs- und Reparaturarbeiten, die eine Unterstützung durch weiteres Fachpersonal erfordern, sind unter der Aufsicht einer Person durchzuführen, die im Umgang mit entflammaren Kältemitteln sachkundig ist.
- Solange das Gerät keine merkwürdigen Geräusche, Gerüche oder Rauch abgibt, darf es keinesfalls in oder außer Betrieb genommen werden, indem der Netzstecker angeschlossen oder abgetrennt wird, weil dies zu einem Stromschlag oder durch Hitzeerzeugung verursachten Brand führen kann.



Spezielle Informationen für Geräte mit dem Kältemittelgas R 290.

- Lesen Sie aufmerksam alle Warnhinweise.
- Verwenden Sie außer den vom Hersteller empfohlenen keine Werkzeuge, um das Gerät zu enteisen und zu reinigen.
- Das Gerät ist in einem Raum ohne kontinuierlich arbeitende Zündquellen zu lagern (z. B. offene Flammen, ein aktives Gasgerät oder eine aktive Elektroheizung).
- Nicht durchbohren oder verbrennen.
- Dieses Gerät enthält Y g (siehe Typenschild auf der Geräterückseite) an R290 Kältemittelgas.
- R290 ist ein Kältemittelgas, das die EU-Umweltschutzrichtlinien erfüllt. Beschädigen Sie keinesfalls den Kältemittelkreis.
- Falls das Gerät in einem nicht belüfteten Bereich installiert, betrieben oder gelagert wird, muss der Raum so konzipiert sein,

DE

dass sich austretendes Kältemittel nicht ansammeln kann und eine Brand- oder Explosionsgefahr darstellt, weil es durch Elektroheizungen, Elektroöfen oder andere Zündquellen entzündet werden könnte.

- Das Gerät muss so gelagert werden, dass mechanische Defekte vermieden werden.
- Personen, die am Kühlkreislauf arbeiten oder ihn bedienen, benötigen die entsprechende, von einer zugelassenen Stelle ausgestellte Zertifizierung, die den fachgerechten Umgang mit Kältemitteln gemäß einer von Branchenverbänden anerkannten speziellen Bewertung sicherstellt.
- Reparaturen sind basierend auf den Empfehlungen der Herstellerfirma durchzuführen. Wartungs- und Reparaturarbeiten, bei der Unterstützung durch weiteres Fachpersonal bedürfen, sind unter der Aufsicht einer im Umgang mit entflammbareren Kältemitteln fachkundigen Person durchzuführen.

Batterien

- Setzen Sie die Batterie keinen hohen Temperaturen oder direkter Sonneneinstrahlung aus. Werfen Sie Batterien niemals ins Feuer. Es besteht die Gefahr einer Explosion!
- Halten Sie Batterien von Kindern fern. Batterien sind kein Spielzeug!
- Die Batterien nicht gewaltsam öffnen.
- Vermeiden Sie einen Kontakt mit Metallgegenständen (Ringe, Nägel, Schrauben, etc.). Es besteht Kurzschlussgefahr!
- Ein Kurzschluss kann zur Folge haben, dass sich Batterien beträchtlich aufheizen oder sogar brennen. Das kann zu Verbrennungen führen.
- Für Ihre Sicherheit sollten die Batteriepole während des Transports mit Klebebandern abgedeckt werden.
- Berühren Sie keine beschädigte und/oder auslaufende Batterie. Falls die Flüssigkeit aus der Batterie in die Augen gelangt, spülen Sie Ihre Augen so schnell wie möglich mit sauberem Wasser aus, ohne die Augen zu reiben. Suchen Sie unverzüglich ein

Krankenhaus auf. Bei unsachgemäßer Behandlung können Augenprobleme verursacht werden.

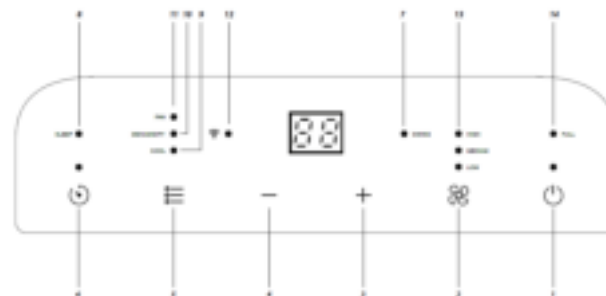
Kältemittel

(CE) N 842/2006: Dieses Gerät enthält das Kältemittel R290. Das Kältemittel hat ein Volumen von weniger als 1 kg und befindet sich in einem geschlossenen Kühlkreislauf. Das Kältemittel hat zwar kein Ozonzerstörungspotenzial, gehört aber gemäß Kyoto-Protokoll zu den so genannten Treibhausgasen und kann daher zur globalen Erwärmung beitragen, wenn es an die Atmosphäre freigegeben wird. Daher dürfen nur geschulte Techniker mit einer entsprechenden Bescheinigung das Kältemittel auffüllen oder entleeren. Bei ordnungsgemäßer Benutzung und intaktem Kühlmittelkreislauf braucht das Gerät nicht nachgefüllt zu werden. GWP: R290: 3

TEILEBESCHREIBUNG

1. Lufteinlass	8. Schlauchanschluss (Fenster)
2. Luftfilter	9. Heißluft-Auslassschlauch
3. Bedienfeld	10. Schlauchanschluss (Klimagerät)
4. Netzkabel	11. Fensterdichtung + Klettband
5. Luftauslass	12. Fernbedienung
6. Rollen	13. Batterien
7. Abflussöffnung	

FUNKTIONEN AM BEDIENFELD



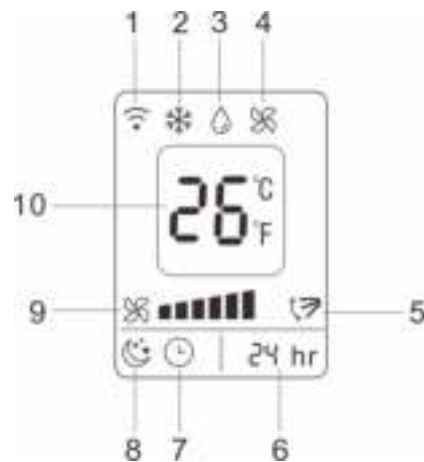
1	Ein/Aus	8	Schlafmodus
2	Lüftergeschwindigkeit	9	Kühlanzeige
3	Temperatur Auf	10	Entfeuchtungsanzeige
4	Temperatur Ab	11	Lüfteranzeige
5	Taste Modus	12	WiFi-Anzeige
6	Timer Ein/Aus	13	Hohe/Mittlere/Niedrige Lüfterdrehzahl
7	Schwenken Ein/Aus	14	Wasserwarnanzeige

DE

FERNBEDIENUNG MIT LCD-DISPLAY



1	Ein/Aus
2	Timer Ein/Aus
3	Betriebsart
4	°C / F° Umstellung
5	Temperatur Auf
6	Temperatur Ab
7	LED-Anzeige
8	Automatisches Schwenken
9	Lüftergeschwindigkeit
10	Schlafmodus



1	Empfangssignal
2	Kühlen
3	Entfeuchten
4	Lüfter
5	Automatisches Schwenken
6	Zeiteinteilung
7	Timer Ein/Aus
8	Schlafmodus
9	Lüftergeschwindigkeit
10	Temperaturanzeige

- 2x AAA-Batterien sind erforderlich.
- Achten Sie darauf, die Batterien korrekt ausgerichtet einzusetzen.
- Achten Sie darauf, immer beide Batterien zusammen auszutauschen.
- Betätigen Sie die entsprechenden Tasten, wie auf dem Bedienfeld erläutert, um den Lüfter zu steuern.

VOR DEM ERSTEN GEBRAUCH

Beachten Sie vor der Inbetriebnahme bitte Folgendes:

- Suchen Sie einen Aufstellungsort mit einer gut erreichbaren Steckdose.
- Montieren Sie den Auslassschlauch und wählen Sie eine geeignete Fensterposition.
- Schließen Sie das Netzkabel an einer geerdeten Steckdose mit 220-240 V/50 Hz Wechselstrom an
- Drücken Sie die Ein/Aus-Taste, um das Gerät einzuschalten.
- Kontrollieren Sie, ob der Auslassschlauch korrekt montiert ist.
- Stellen Sie den Temperaturbereich ein. 16 °C-31 °C.
- Warten Sie nach dem Aus- und Einschalten mindestens 3 Minuten, bevor Sie Kühl- und Entfeuchtungsfunktionen benutzen.

BENUTZUNG DER GERÄTETASTEN

Kühlbetrieb

- Drücken Sie Taste „Mode“, bis das Symbol „Kalt“ erscheint.
- Drücken Sie die Taste + <Temperatur Auf> oder - <Temperatur Ab>, um die gewünschte Raumtemperatur zu wählen.

- Warten Sie etwa 5 Minuten, bevor Sie den Kühlvorgang starten.
- Drücken Sie die Taste „Lüftergeschwindigkeit“, um den Luftstrom einzustellen.

Entfeuchtungsbetrieb

- Drücken Sie die Taste „Mode“, bis das Symbol „Entfeuchtung“ erscheint.
- Die Temperatur wird automatisch gewählt.
- Die Lüftergeschwindigkeit wird automatisch gewählt.

Lüfterbetrieb

- Drücken Sie Taste „Mode“, bis das Symbol „Lüfter“ erscheint.
- Drücken Sie die Taste „Lüftergeschwindigkeit“, um den Luftstrom einzustellen.

Timer-Betrieb

Einstellung Timer EIN

- Wenn das Klimagerät ausgeschaltet ist, drücken Sie die Taste „Timer“ und stellen dann mit Hilfe der Tasten <Temperatur Auf> und <Temperatur Ab> die gewünschte Einschaltzeit ein.
- Die Einschaltzeit kann eine beliebige Uhrzeit im Zeitraum 0-24 Stunden sein.

Einstellung Timer AUS

- Wenn das Klimagerät eingeschaltet ist, drücken Sie die Taste „Timer“ und stellen dann mit Hilfe der Tasten <Temperatur Auf> und <Temperatur Ab> die gewünschte Ausschaltzeit ein.
- Die Ausschaltzeit kann eine beliebige Uhrzeit im Zeitraum 0-24 Stunden sein.

Schwenkbetrieb (Oszillationsmodus)

- Drücken Sie diese Taste, um den Oszillationsmodus zu starten. Der Lüfter schwenkt daraufhin kontinuierlich auf und ab. Drücken Sie die Taste erneut, um die Betrieb zu stoppen.

Einschlafbetrieb

- Drücken Sie im Kühlbetrieb die Taste „Sleep“, um die Temperatur einzustellen. Die eingestellte Temperatur wird innerhalb von einer Stunde um 1 Grad auf maximal 2 Grad nach 2 Stunden erhöht.
- Drücken Sie erneut auf „Sleep“, um den Betrieb abzubrechen.

Entwässerung

- Nach einem längerem Betrieb und vor der Lagerung müssen Sie das angesammelte Wasser ablaufen lassen. Stellen Sie das Gerät dazu an einem geeigneten Ort auf oder eine Schale bereit, um das Wasser aufzufangen. Entfernen Sie dann den Gummistopfen vom Abflussloch unten am Gerät. Das Wasser läuft nun ab. Anschließend können Sie den Ablaufstopfen wieder einsetzen.

Alarmfunktion „Interner Wassertank voll“

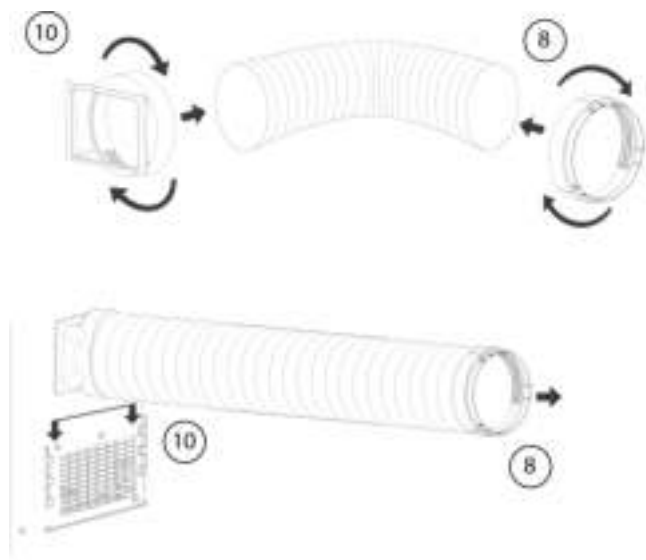
- Der Wassertank im Klimagerät hat einen Wasserstand-Sicherheitsschalter, der den Wasserpegel kontrolliert. Wenn der Wasserpegel eine bestimmte Höhe erreicht, leuchtet die Kontrolllampe „Wassertank voll“ auf. Befolgen Sie die Schritte oben, um das Wasser ablaufen zu lassen.

INSTALLATION

- Das Klimagerät muss auf einem flachen und stabilen Untergrund aufgestellt werden. Blockieren Sie nicht den Luftauslass und lassen Sie um das Gerät herum mindestens 30 cm Platz.
- Die Steckdosenverdrahtung muss den jeweils geltenden elektrischen Sicherheitsanforderungen entsprechen.

Montage des Auslassschlauchs

- Drehen Sie die beiden Enden des Heißluftschlauchs (9) in den Schlauchanschluss auf der Fensterseite (8) und den Schlauchanschluss auf der Klimageräteseite (10).
- Setzen Sie den Schlauchanschluss auf der Klimageräteseite (10) in die Öffnung auf der Geräterückseite ein.
- Befestigen Sie den Schlauchanschluss auf der Fensterseite (8) am nächstgelegenen Fensterbrett.



- Schneiden Sie das Klettband mit einer Schere auf die Abmessungen des
- Fensters zu und bringen Sie es am gesamten Fensterrahmen an. Hinweis: Kleben Sie das Klettband nicht auf das Glas.
- Befestigen Sie den Stoff am Klettband. Beginnen Sie mit dem schmalen Teil und arbeiten Sie von der Mitte zum Rest des Klettbands, der und um das Fenster am Rahmen befestigt ist.
- Es kann hilfreich sein, zum Anbringen des Stoffs das Fenster zu öffnen. Achten Sie darauf, genügend Platz in den Ecken zu lassen, damit der Stoff nicht eingeklemmt wird.
- Öffnen Sie den Zipverschluss des Stoffs um ca. 50 cm.
- Stecken Sie den Schlauch des Klimageräts in die Öffnung. Schließen Sie den Zipverschluss dann wieder, so dass der Schlauch sicher platziert ist.

DE

Universeller Fenstermontagesatz

- Reinigen Sie Fenster und Fensterrahmen mit Seife oder einem Reinigungsmittel und achten Sie darauf, dass der gesamte Fensterrahmen staub- und fettfrei ist.



BENUTZUNG DES GERÄTS MIT DER CLIMATE-APP



Sie können das Gerät manuell mit den integrierten Bedienelementen oder über ein Smartphone oder per Sprachbefehl steuern. Bevor Sie anfangen, müssen Sie die HomeWizard Climate-App heruntergeladen haben. Die HomeWizard Climate-App gibt es für Android und iOS.

Synchronisieren Sie das Gerät mit der HomeWizard Climate-App.

- Vergewissern Sie sich, dass das Gerät eingeschaltet ist.
- Öffnen Sie die HomeWizard Climate-App.
- Erstellen Sie ein Konto oder melden Sie sich bei einem bereits eingerichteten HomeWizard-Konto an.
- Tippen Sie auf „Add new Climate Device“ (Neues Klimagerät hinzufügen), um ein neues Gerät hinzuzufügen.
- Wählen Sie das zu verbindende Gerät.
- Befolgen Sie die Anweisungen in der App, um das Gerät zu verbinden.

REINIGUNG UND INSTANDHALTUNG

- Achten Sie vor dem Reinigen darauf, das Gerät von der Spannungsversorgung abzutrennen.
- Reinigen Sie zunächst die Oberfläche mit einem neutralen Reinigungsmittel und einem feuchten Tuch und wischen Sie sie dann mit einem trockenen Tuch ab.

- Verwenden Sie kein Benzin oder andere Chemikalien, um das Gerät zu reinigen.
- Reinigen Sie das Gerät nicht direkt mit Wasser.

Luftfilter

- Der Luftfilter sollte alle zwei Wochen gereinigt werden.
- Öffnen Sie das Lufteinlassgitter und nehmen Sie den Luftfilter heraus.
- Reinigen Sie den Luftfilter in lauwarmem Wasser (40 °C) mit einem Neutralreiniger und lassen Sie ihn dann trocknen (nicht bei direkter Sonnenbestrahlung).
- Setzen Sie den Luftfilter wieder in das Einlassgitter ein.

STÖRUNGSBESEITIGUNG

Störungen	Mögliche Ursachen	Empfohlene Maßnahmen
------------------	--------------------------	-----------------------------

<p>Das Gerät startet nicht, wenn die Ein/Aus-Taste betätigt wird.</p>	<ul style="list-style-type: none"> • Die Anzeige „Wasserbehälter voll“ blinkt und der Wasserbehälter ist voll. • Die Raumtemperatur ist höher als die eingestellte Temperatur (Elektroheizungsbetrieb). • Die Raumtemperatur ist niedriger als die eingestellte Temperatur (Kühlbetrieb). 	<ul style="list-style-type: none"> • Lassen Sie das Wasser aus dem Wassertank ablaufen. • Stellen Sie die Temperatur ein.
---	--	---

<p>Das Gerät kühlt nicht ausreichend.</p>	<ul style="list-style-type: none"> • Türen oder Fenster sind nicht geschlossen. • Es befinden sich Wärmequellen im Raum. • Der Heißluft-Auslassschlauch ist nicht angeschlossen oder verstopft. • Die Temperatureinstellung ist zu hoch. • Der Lufteinlass ist verstopft. 	<ul style="list-style-type: none"> • Achten Sie darauf, dass alle Fenster und Türen geschlossen sind. • Entfernen Sie möglichst alle Wärmequellen. • Schließen Sie den Heißluft-Auslassschlauch an oder reinigen Sie ihn. • Stellen Sie die Temperatur erneut ein. • Reinigen Sie den Lufteinlass.
<p>Geräusentwicklung.</p>	<ul style="list-style-type: none"> • Der Boden am Aufstellungsort ist nicht eben oder flach genug. • Das Geräusch wird durch den Kältemittelfluss im Inneren des Klimageräts verursacht. 	<ul style="list-style-type: none"> • Stellen Sie das Gerät auf einem möglichst eben, flachen Untergrund auf.

DE

Code E0	<ul style="list-style-type: none"> Raumtemperatursensor defekt 	<ul style="list-style-type: none"> Ersetzen Sie den Raumtemperatursensor.
Code E1	<ul style="list-style-type: none"> Temperatursensor des Kondensators defekt 	<ul style="list-style-type: none"> Ersetzen Sie den Temperatursensor.
Code E2	<ul style="list-style-type: none"> Wasserbehälter im Kühlbetrieb voll 	<ul style="list-style-type: none"> Entfernen Sie den Gummistopfen und lassen Sie das Wasser ab.
Code E3	<ul style="list-style-type: none"> Leitungstemperatursensor defekt 	<ul style="list-style-type: none"> Leitungstemperatursensor austauschen
Code E4	<ul style="list-style-type: none"> Wassertank voll 	<ul style="list-style-type: none"> Entleeren Sie den Wassertank.

DAS GERÄT ENTHÄLT EIN FLUORIERTES TREIBHAUSGAS.

Art.-Nr.	352900
Kältemittel:	R290
Menge in kg:	0,212
Treibhauspotenzial:	3

CO2-Äquivalent in Tonnen:	0,000636
Art.-Nr.	353200
Kältemittel:	R290
Menge in kg:	0,226
Treibhauspotenzial:	3
CO2-Äquivalent in Tonnen:	0,000678

KONFORMITÄTSERKLÄRUNG

- Hiermit erklärt Smartwares Europe, dass der Funkgerätetyp 352900 / 353200 der Richtlinie 2014/53/EU entspricht
- Der vollständige Text der EU-Konformitätserklärung ist unter folgender Internetadresse abrufbar: www.princesshome.eu/doc

UMWELT




Dieses Gerät darf am Ende seiner Lebenszeit nicht im Hausmüll entsorgt werden, sondern muss an einer Sammelstelle für das Recyceln von elektrischen und elektronischen Haushaltsgeräten abgegeben werden. Das Symbol auf dem Gerät, in der Bedienungsanleitung und auf der Verpackung macht Sie auf dieses

wichtige Thema aufmerksam. Die in diesem Gerät verwendeten Materialien können recycelt werden. Durch das Recyclen gebrauchter Haushaltsgeräte leisten Sie einen wichtigen Beitrag zum Umweltschutz. Fragen Sie Ihre örtliche Behörde nach Informationen über eine Sammelstelle.

Die europäische Batterie- und Akkumulatorenrichtlinie (2006/66/EG) besagt, dass Batterien/Akkus nicht im Haushaltsmüll entsorgt werden dürfen, weil sie umweltschädliche Substanzen enthalten könnten. Leere Batterien/Akkus können an öffentlichen Sammelstellen oder einer lokalen Aufbereitungsanlage abgegeben werden. Um eine Überhitzung infolge eines Kurzschlusses zu vermeiden, müssen Lithium-Batterien/Akkus müssen aus dem Produkt entfernt und die Pole mittels Isolierband oder anderen Maßnahmen gegen einen Kurzschluss abgesichert werden.

DE

SEGURIDAD

- Lea detenidamente este manual del usuario y asegúrese de utilizar, mantener e instalar el aparato correctamente.
- Si ignora las instrucciones de seguridad, eximirá al fabricante de toda responsabilidad por posibles daños.
- El aparato es adecuado sólo para uso interior.
- No utilice la unidad en una toma que esté dañada o que no esté correctamente instalada.
- No utilice la unidad:
 - cerca de una fuente de fuego.
 - en un lugar donde pueda salpicar aceite.
 - en un lugar expuesto a la luz solar directa.
 - en un lugar donde pueda salpicar agua.
 - cerca de un baño, una ducha o una piscina.
- No introduzca los dedos u objetos en la salida de aire. Preste especial atención a advertir a los niños de estos peligros.
- Transporte y almacene la unidad en posición vertical.
- Antes de limpiar la unidad, apáguela o desconecte siempre la fuente de alimentación.
- Antes de transportar la unidad, apáguela o desconecte siempre la fuente de alimentación.
-  **ADVERTENCIA:** para evitar el riesgo de incendio, no cubra la unidad.
- Todas las tomas de la unidad deben cumplir con los requisitos locales de seguridad eléctrica. Si es necesario, compruébelo.
- Si el cable de alimentación está dañado, corresponde al fabricante, al representante o a una persona de cualificación similar su reemplazo para evitar peligros.
- Este aparato lo pueden utilizar niños a partir de los 8 años y personas con capacidades físicas, sensoriales o mentales reducidas, o que no tengan experiencia ni conocimientos, siempre que reciban supervisión e instrucciones correctas en cuanto al uso seguro del aparato y entiendan los riesgos implicados. Los niños no deberían jugar con el aparato. Los niños no podrán realizar la limpieza ni el mantenimiento reservado al usuario sin supervisión.

- Este aparato se debe utilizar únicamente para el uso doméstico y sólo para las funciones para las que se ha diseñado.
- Notas:
 - En caso de daño, desconecte la fuente de alimentación y póngase en contacto con el distribuidor o con un establecimiento designado para llevar a cabo reparaciones.
 - En cualquier caso, la conexión a tierra del cable de alimentación debe ser segura.
 - Para evitar posibles peligros, si el cable de alimentación está dañado, desconecte la fuente de alimentación. Debe sustituirlo el distribuidor o un establecimiento designado para llevar a cabo reparaciones.

Advertencia

- Siga solo el proceso de descongelación y limpieza recomendado por el fabricante. No agilice el proceso de descongelación o limpieza de ninguna otra forma.
- El aparato debe almacenarse en una habitación en la que no haya focos de ignición en funcionamiento continuo (por ejemplo, llamas abiertas o un aparato de gas o calefactor eléctrico en funcionamiento).
- No perforo ni queme el aparato.
- Tenga en cuenta que los refrigerantes pueden emitir olores.
- Este aparato debe instalarse, utilizarse y almacenarse en una habitación con un área superior a X m². (X=12 para 9000 Btu/h; X=15 para 12000 Btu/h)
- Póngase en contacto solo con un técnico de servicio autorizado para llevar a cabo las tareas de reparación o mantenimiento de esta unidad.
- No estire del cable de alimentación ni lo deforme, modifique o sumerja en agua. Si estira del cable de alimentación o no lo utiliza de manera adecuada, la unidad podría sufrir daños y podría producirse una descarga eléctrica.
- Deben cumplirse las normativas nacionales relativas al gas.
- Mantenga libres de obstrucciones las ranuras de ventilación.
- Las tareas de mantenimiento solo deben llevarse a cabo siguiendo las recomendaciones del fabricante del equipo.

ES

Las tareas de mantenimiento y reparación que requieran la ayuda de personal cualificado deben llevarse a cabo bajo la supervisión de las personas capacitadas en el uso de refrigerantes inflamables.

- No retire el enchufe eléctrico para detener la unidad mientras esté en funcionamiento, ya que la generación de calor podría provocar una descarga eléctrica o un incendio a menos que se escuchen sonidos extraños, o la unidad desprenda un olor inusual o humo.



Información específica sobre aparatos con gas refrigerante R290.

- Lea detenidamente todas las advertencias.
- Cuando descongele y limpie el aparato, no utilice herramientas distintas a las recomendadas por la empresa fabricante.
- El aparato no debe almacenarse en una habitación en la que no haya focos de ignición en funcionamiento continuo (por

ejemplo, llamas abiertas, o un aparato de gas o un calefactor eléctrico en funcionamiento).

- No lo perfore ni lo queme.
- Este aparato contiene Y g (véase la etiqueta de características de la parte posterior de la unidad) de gas refrigerante R290.
- El R290 es un gas refrigerante que cumple con las directivas europeas sobre medio ambiente. No perfore ninguna parte del circuito de refrigerante.
- Si el aparato se instala, se utiliza o se almacena en una zona no ventilada, el diseño de la habitación debe evitar la acumulación de fugas de refrigerante que supongan un riesgo de incendio o explosión si el refrigerante se incendia debido a calefactores eléctricos, estufas u otros focos de ignición.
- El aparato se debe almacenar de modo que se eviten los fallos mecánicos.
- Las personas que manipulen o intervengan en el circuito de refrigerante deben contar con la certificación correspondiente emitida por un organismo autorizado que garantice

su competencia para manipular refrigerantes de acuerdo con la evaluación específica reconocida del sector.

- Las reparaciones se deben realizar siguiendo las recomendaciones de la empresa fabricante. Las tareas de mantenimiento y reparación que requieran la ayuda de personal cualificado se llevarán a cabo bajo la supervisión de una persona capacitada en el uso de refrigerantes inflamables.

Pilas

- No exponga la pila a temperaturas elevadas ni a la luz directa del sol. Nunca tire las pilas al fuego. Hay peligro de explosión.
- Mantenga las pilas lejos de los niños. Las pilas no son juguetes.
- No abra las pilas a la fuerza.
- Evite el contacto con objetos metálicos (anillos, clavos, tornillos, etc.). Existe riesgo de cortocircuito.
- El cortocircuito de pilas puede generar mucho calor e incluso un incendio, lo que podría provocar quemaduras.
- Por su seguridad, los polos de la pila se cubren con tiras adhesivas durante el transporte.

- No toque ninguna pila que esté rota o tenga fugas. Si el líquido de la pila entrase en contacto con sus ojos, lávelos con agua limpia lo antes posible sin frotarlos. Vaya inmediatamente al hospital. Si no recibe el tratamiento adecuado, podría sufrir problemas en los ojos.

Refrigerante

(CE) N 842/2006: Esta unidad contiene refrigerante R290. Incluye menos de 1 kg de refrigerante en un circuito de refrigeración cerrado. El potencial de agotamiento de la capa de ozono del refrigerante es nulo, pero según el Protocolo de Kioto es un gas de efecto invernadero y, por lo tanto, contribuye al calentamiento global si se emite a la atmósfera. Por eso, únicamente los técnicos capacitados que dispongan del certificado sobre el refrigerante correspondiente pueden rellenar o vaciar la unidad. Si utiliza correctamente el aparato y el circuito de refrigerante no está dañado, no es necesario rellenarlo con refrigerante. PCG: R290: 3

ES

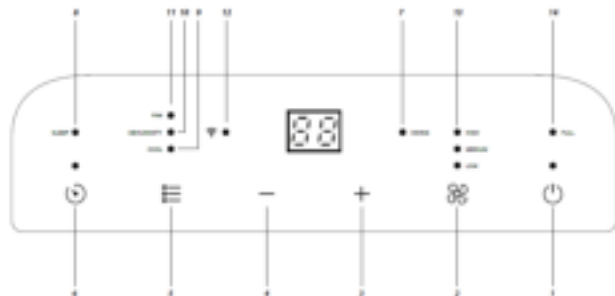
DESCRIPCIÓN DE LAS PIEZAS

1. Entrada de aire	8. Conector de tubo flexible (extremo de la ventana)
2. Filtro de aire	9. Tubo flexible de escape de aire caliente
3. Panel de control	10. Conector de tubo flexible (extremo de la unidad de aire acondicionado)
4. Cable de alimentación	11. Cierre de la ventana + velcro

5. Salida de aire	12. Mando a distancia
6. Ruedas	13. Pilas
7. Orificio de drenaje	

6	Encendido/apagado del temporizador	13	Indicador de velocidad del ventilador alta/media/baja
7	Encendido/apagado de oscilación	14	Indicador de llenado de agua

FUNCIONES DEL PANEL DE CONTROL



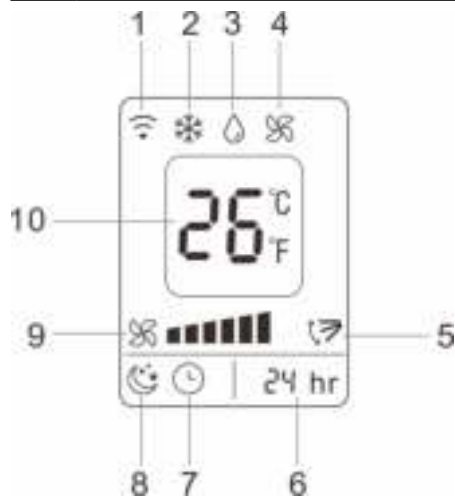
1	Encendido/apagado	8	Modo reposo
2	Velocidad del ventilador	9	Indicador de refrigeración
3	Subir temperatura	10	Indicador de deshumidificación
4	Bajar temperatura	11	Indicador de ventilador
5	Botón de modo	12	Indicador de Wi-Fi

MANDO A DISTANCIA CON PANTALLA LCD



1	Encendido/apagado
2	Encendido/apagado del temporizador
3	Modo
4	Selector °C/°F
5	Subir temperatura

6	Bajar temperatura
7	Pantalla LED
8	Oscilación automática
9	Velocidad del ventilador
10	Modo reposo



1	Recepción de señal
2	Refrigeración
3	Deshumidificación
4	Ventilador

5	Oscilación automática
6	Temporizador
7	Encendido/apagado del temporizador
8	Modo reposo
9	Velocidad del ventilador
10	Visor de temperatura

- Son necesarias 2 pilas AAA.
- Asegúrese de introducir las pilas con la orientación adecuada.
- Cuando las sustituya, asegúrese de cambiar las dos pilas al mismo tiempo.
- Para poner en funcionamiento el ventilador, pulse los botones correspondientes, tal y como se explica en la parte acerca del panel de control.

ANTES DEL PRIMER USO

Antes de comenzar a realizar las operaciones descritas en esta sección:

- Busque un lugar con una fuente de alimentación próxima.
- Instale el tubo flexible de escape y ajuste correctamente la posición de la ventana.
- Enchufe el cable de alimentación en una toma con conexión a tierra CA220~240 V/50 Hz.
- Pulse el botón de encendido para poner en marcha la unidad de aire acondicionado.
- Asegúrese de que el tubo flexible de escape se haya instalado correctamente.

ES

- Ajuste el intervalo de temperatura: 16 - 31 °C.
- Al utilizar las funciones de refrigeración y deshumidificación, espere al menos tres minutos entre que apaga y enciende la unidad.

USO DE LOS BOTONES DEL DISPOSITIVO

Modo de refrigeración

- Pulse el botón de modo hasta que aparezca el icono de refrigeración.
- Pulse el botón + <subir temperatura> o - <bajar temperatura> para seleccionar la temperatura que desee para la habitación.
- Espere unos cinco minutos a que se inicie la refrigeración.
- Pulse el botón de velocidad del ventilador para ajustar la velocidad del flujo de aire.

Modo de deshumidificación

- Pulse el botón de modo hasta que aparezca el icono de deshumidificación.
- La temperatura se seleccionará automáticamente.
- La velocidad del ventilador se seleccionará automáticamente.

Funcionamiento del ventilador

- Pulse el botón de modo hasta que aparezca el icono del ventilador.
- Pulse el botón de velocidad del ventilador para ajustar la velocidad del flujo de aire.

Modo de temporizador

Activación del temporizador

- Con la unidad de aire acondicionado apagada, pulse el botón del temporizador y seleccione la hora de activación que desee mediante los botones de subida y bajada de temperatura.
- El tiempo de activación puede ajustarse en un valor entre 0 y 24 horas.

Desactivación del temporizador

- Con la unidad de aire acondicionado encendida, pulse el botón del temporizador y seleccione la hora de desactivación que desee mediante los botones de subida y bajada de temperatura.
- El tiempo de desactivación puede ajustarse en un valor entre 0 y 24 horas.

Oscilación (modo de oscilación)

- Pulse este botón para iniciar el modo de oscilación; las lamas oscilarán hacia arriba y hacia abajo de manera continua. Pulse este botón de nuevo para detener la operación.

Reposo

- En el modo de refrigeración, pulse el botón de reposo para ajustar la temperatura. La temperatura ajustada aumenta en 1 grado a lo largo de 1 hora hasta aumentar 2 grados como máximo en 2 horas.
- Pulse el botón de reposo para cancelar la operación.

Drenaje

- Tras un uso prolongado de la unidad y antes de guardarla, debe drenar el agua que se ha acumulado. Prepare una ubicación o una bandeja adecuadas para recoger el agua y retire el tapón de goma del orificio de drenaje situado en la parte inferior de la unidad. A continuación, empezará a drenarse el agua. Una vez completado el proceso, puede insertar el tapón de drenaje.

Función de alarma de depósito de agua lleno

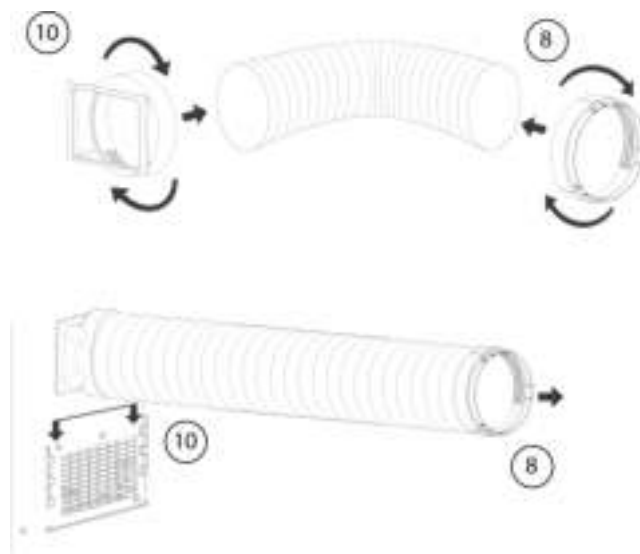
- El depósito de agua interno de la unidad de aire acondicionado incluye un interruptor de seguridad que controla el nivel de agua. Si el nivel de agua alcanza la altura prevista, se encenderá el indicador de depósito de agua lleno. Siga los pasos indicados anteriormente para drenar el agua.

INSTALACIÓN

- La unidad de aire acondicionado debe instalarse en una superficie plana y estable. No bloquee la salida de aire y deje un espacio del al menos 30 cm alrededor de la unidad.
- El cableado de las tomas de alimentación debe cumplir con los requisitos locales de seguridad eléctrica.

Instalación del tubo flexible de escape

- Enrosque ambos extremos del tubo flexible de escape de aire caliente (9) en el extremo de la ventana del conector del tubo (8) y el extremo de la unidad de aire acondicionado del conector del tubo (10).
- Inserte el extremo de la unidad de aire acondicionado del conector del tubo (10) en las aberturas de la parte posterior de la unidad.
- Fije el extremo de la ventana del conector del tubo (8) en el alféizar más próximo.



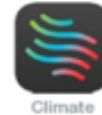
Instalación del kit de ventana universal

- Limpie la ventana y el marco de la ventana con jabón o detergente y asegúrese de que el marco de la ventana está totalmente limpio y no contiene polvo ni grasa.

- Con la ayuda de unas tijeras, corte el velcro de acuerdo con las dimensiones de la ventana.
- Pegue el velcro alrededor de toda la ventana. Nota: No pegue el velcro en el cristal.
- Pegue la tela en la cinta de velcro. Comience por la parte estrecha y vaya pegándola desde el centro a lo largo de la cinta de velcro pegada alrededor del marco de la ventana.
- Es posible que le resulte útil abrir la ventana mientras pega la tela. Asegúrese de dejar suficiente espacio en las esquinas para que la tela no se atasque en la ventana.
- Abra unos 50 cm la cremallera del kit de la ventana.
- Pase el tubo del aire acondicionado por la apertura de la tela. A continuación, cierre la cremallera hasta el tubo del aire acondicionado.



USO DEL APARATO CON LA APLICACIÓN DE CLIMATIZACIÓN



Puede utilizar el aparato manualmente con sus controles integrados, con el mando a distancia o a través de un teléfono inteligente o por voz. Antes de comenzar, asegúrese de haber descargado la aplicación HomeWizard Climate. La aplicación HomeWizard Climate está disponible para Android e iOS.

Emparejamiento del aparato con la aplicación HomeWizard Climate

- Asegúrese de que el aparato está enchufado.
- Abra la aplicación HomeWizard Climate.
- Si todavía no tiene una cuenta de HomeWizard, créela e inicie sesión con sus credenciales.
- Haga clic en “Add new Climate Device” para añadir un dispositivo nuevo.
- Seleccione el dispositivo que desea conectar.
- Siga las instrucciones de la aplicación para conectar el aparato.

LIMPIEZA Y MANTENIMIENTO

- Antes de limpiar la unidad, desconéctela de la toma de suministro eléctrico.
- En primer lugar, limpie la superficie con un detergente neutro y un paño húmedo y, a continuación, límpiela con un paño seco.

- No utilice gasolina ni ningún otro producto químico para limpiar la unidad.
- No lave directamente la unidad.

Filtro de aire

- El filtro de aire debe limpiarse una vez cada dos semanas.
- Abra la rejilla de entrada de aire y retire el filtro de aire.
- Limpie el filtro de aire con detergente neutro en agua tibia a 40 °C y déjelo secar (no a luz solar directa).
- Instale de nuevo el filtro de aire en la rejilla de entrada.

SOLUCIÓN DE PROBLEMAS

Problemas	Posibles causas	Soluciones recomendadas
-----------	-----------------	-------------------------

La unidad no se pone en marcha al pulsar el botón de encendido.	<ul style="list-style-type: none"> • El indicador de depósito de agua lleno parpadea debido a que el depósito está lleno. • La temperatura de la habitación es superior a la temperatura ajustada (modo de calefacción eléctrica). • La temperatura de la habitación es inferior a la temperatura ajustada (modo de refrigeración). 	<ul style="list-style-type: none"> • Drene el agua del depósito. • Ajuste la temperatura.
---	--	---

ES

<p>La unidad no suministra refrigeración suficiente.</p>	<ul style="list-style-type: none"> • Las puertas o las ventanas no están cerradas. • Hay fuentes de calor dentro de la habitación. • El tubo flexible de escape de aire caliente no está conectado o está obstruido. • Se ha ajustado una temperatura demasiado alta. • La entrada de aire está obstruida. 	<ul style="list-style-type: none"> • Asegúrese de que las ventanas y las puertas estén cerradas. • Retire las fuentes de calor si es posible. • Conecte o limpie el tubo flexible de escape de aire caliente. • Restablezca la temperatura. • Limpie la entrada de aire.
<p>Ruido excesivo.</p>	<ul style="list-style-type: none"> • El suelo no está nivelado o no es lo suficientemente plano. • El sonido procede del flujo de refrigerante en la unidad de aire acondicionado. 	<ul style="list-style-type: none"> • Coloque la unidad sobre una superficie plana y nivelada si es posible.

<p>Código E0</p>	<ul style="list-style-type: none"> • Error del sensor de temperatura ambiente. 	<ul style="list-style-type: none"> • Sustituya el sensor de temperatura ambiente.
<p>Código E1</p>	<ul style="list-style-type: none"> • Error del sensor de temperatura del condensador. 	<ul style="list-style-type: none"> • Sustituya el sensor de temperatura del condensador.
<p>Código E2</p>	<ul style="list-style-type: none"> • Bandeja de agua llena al refrigerar. 	<ul style="list-style-type: none"> • Retire el tope de goma y vacíe el agua.
<p>Código E3</p>	<ul style="list-style-type: none"> • Error del sensor de temperatura del tubo. 	<ul style="list-style-type: none"> • Reemplace el sensor de temperatura del tubo.
<p>Código E4</p>	<ul style="list-style-type: none"> • Depósito de agua lleno. 	<ul style="list-style-type: none"> • Vacíe el depósito de agua.

EL PRODUCTO O EQUIPO CONTIENE GAS FLUORADO DE EFECTO INVERNADERO.

<p>Art. n.º:</p>	<p>352900</p>
<p>Refrigerante:</p>	<p>R290</p>
<p>Cantidad en kg:</p>	<p>0.212</p>

Potencial de calentamiento atmosférico:	3
Toneladas equivalentes de dióxido de carbono:	0.000636
Art. n.º:	353200
Refrigerante:	R290
Cantidad en kg:	0.226
Potencial de calentamiento atmosférico:	3
Toneladas equivalentes de dióxido de carbono:	0.000678

DECLARACIÓN DE CONFORMIDAD

- Por la presente, Smartwares Europe declara que el tipo de equipo de radio 352900/353200 es conforme con la Directiva 2014/53/UE.
- El texto completo de la declaración de conformidad de la UE se encuentra disponible en la siguiente dirección de Internet: www.princesshome.eu/doc

ENTORNO




Una vez finalizada la durabilidad de este equipo, no debe desecharse junto con la basura doméstica; debe llevarse a un punto central de reciclaje de equipos domésticos eléctricos y electrónicos. Este símbolo del equipo, el manual de instrucciones y el embalaje captan su atención acerca de la importancia de este asunto. Los materiales utilizados en este equipo son reciclables. Al reciclar equipos domésticos usados, contribuye enormemente a la protección del medio ambiente. Pida información sobre los puntos de recogida a sus entidades locales.

La directiva europea sobre las pilas (2006/66/CE) establece que no está permitido tirar las pilas junto con los residuos domésticos. Pueden contener sustancias perjudiciales para el medio ambiente. Las pilas vacías se pueden llevar a un punto de recogida local público o a un centro de reciclaje. Para evitar la sobrecarga como resultado de un cortocircuito, las pilas de litio deben extraerse del producto y los polos deben protegerse con una tapa de aislamiento o algún otro método que evite los cortocircuitos.

ES

SEGURANÇA

- Leia este manual de utilização com atenção para garantir a devida utilização, manutenção e instalação.
- O fabricante não pode ser responsabilizado por quaisquer danos se ignorar as instruções de segurança.
- O aparelho destina-se apenas a utilização no interior.
- Não utilize a unidade numa tomada danificada ou que não esteja corretamente instalada.
- Não utilize a unidade:
 - perto de uma fonte de incêndio.
 - numa área onde há probabilidade de salpicar óleo.
 - numa área exposta a radiação solar direta.
 - numa área onde há probabilidade de salpicar água.
 - perto de uma banheira, chuveiro ou piscina.
- Nunca introduza os dedos ou objetos na saída de ar. Tenha o especial cuidado de avisar as crianças destes perigos.
- Mantenha a unidade na vertical durante o transporte e armazenamento.
- Antes de limpar a unidade, desligue sempre a alimentação de energia.
- Desligue sempre a alimentação de energia antes de deslocar a unidade.
-  AVISO: Para evitar o risco de incêndio, não cubra a unidade.
- Todas as tomadas da unidade devem estar em conformidade com os requisitos locais em matéria de segurança elétrica. Se necessário, confirme o cumprimento dos requisitos.
- Se o cabo de alimentação estiver danificado, deve ser substituído pelo fabricante, o seu representante de assistência técnica ou alguém com qualificações semelhantes para evitar perigos.
- Este aparelho pode ser utilizado por crianças a partir dos 8 anos e por pessoas com capacidades físicas, sensoriais ou mentais reduzidas, assim como com falta de experiência e conhecimentos, caso sejam supervisionadas ou instruídas sobre como utilizar o aparelho de modo seguro e compreendam os riscos envolvidos. As

crianças não devem brincar com o aparelho. A limpeza e manutenção pelo utilizador não devem ser realizadas por crianças sem supervisão.

- Este aparelho destina-se apenas a utilização doméstica e para os fins para os quais foi concebido.

- Notas:

- Em caso de danos, desligue a alimentação de energia e contacte o revendedor ou uma loja de reparações designada.
- Em qualquer caso, o cabo de alimentação deve estar bem ligado à terra.
- Para evitar qualquer perigo, se o cabo de alimentação estiver danificado, desligue a alimentação de energia. O cabo deve ser substituído pelo revendedor ou por uma loja de reparações designada.

Aviso

- Use apenas o processo de descongelação e limpeza recomendado pelo fabricante. Não acelere, de qualquer outra forma, o processo de descongelação ou limpeza.

- O aparelho deve ser guardado num espaço sem fontes de ignição contínua (por exemplo: chamas vivas, aparelho a gás ligado ou aquecedor elétrico ligado).
- Não fure nem queime.
- Tenha em atenção que os refrigerantes podem não ter odor.
- O aparelho deve ser instalado, colocado a funcionar e armazenado numa divisão com área superior a X m². (X=12 para 9000 BTU/h; X=15 para 12 000 BTU/h)
- Contacte apenas um técnico de assistência autorizado para reparação ou manutenção desta unidade.
- Não puxe, deforme ou modifique o cabo de alimentação nem o mergulhe em água. Puxar ou manipular indevidamente o cabo de alimentação pode resultar em danos na unidade e provocar choque elétrico.
- Deve cumprir a legislação nacional em matéria de gás.
- Mantenha os orifícios de ventilação desobstruídos.
- A assistência técnica deve ser executada unicamente conforme recomendado pelo fabricante do equipamento. A manutenção e reparação que requerem a assistência de

outro pessoal qualificado devem ser efetuadas sob a supervisão de uma pessoa ou pessoas competente(s) na utilização de refrigerantes inflamáveis.

- Não pare a unidade puxando a ficha de alimentação durante o funcionamento, pois pode provocar um choque elétrico ou incêndio devido ao calor gerado, a não ser que escute ruídos estranhos, sinta um cheiro estranho ou verifique a saída de fumo da unidade.



Informação específica relativa a aparelhos com gás refrigerante R 290.

- Leia com atenção todos os avisos.
- Quando descongelar e limpar o aparelho, não use quaisquer ferramentas que não tenham sido recomendadas pela empresa fabricante.

- O aparelho não deve ser guardado num espaço com fontes de ignição contínua (por exemplo: chamas vivas, aparelho a gás ligado ou aquecedor elétrico ligado).
- Não fure nem queime.
- Este aparelho contém Y g (ver etiqueta com classificação na traseira da unidade) de gás refrigerante R290.
- O R290 é um gás refrigerante que cumpre as diretivas europeias sobre o ambiente. Não fure qualquer parte do circuito de refrigeração.
- Se o aparelho for instalado, colocado a funcionar ou armazenado numa área não ventilada, o espaço deve ter condições para evitar a acumulação de fugas de refrigerante que podem resultar num risco de incêndio ou explosão devido à ignição do refrigerante causada por aquecedores elétricos, fogões ou outras fontes de ignição.
- O aparelho deve ser armazenado de forma a evitar uma falha mecânica.
- Os indivíduos que operam ou trabalham no circuito de refrigeração devem ter uma certificação adequada, emitida por uma organização acreditada que garanta a respetiva competência no manuseio de

refrigerantes, de acordo com uma avaliação específica, reconhecida por associações do setor.

- Eventuais reparações devem ser efetuadas com base na recomendação da empresa fabricante. A manutenção e reparação que requerem a assistência de outro pessoal qualificado devem ser efetuadas sob a supervisão de uma pessoa competente na utilização de refrigerantes inflamáveis.

Pilhas

- Não exponha a pilha a temperaturas elevadas ou luz solar direta. Nunca atire as pilhas para uma fogueira. Existe perigo de explosão!
- Mantenha as pilhas afastadas das crianças. As pilhas não são brinquedos!
- Não abra as pilhas à força.
- Evite o contacto com objetos metálicos (anéis, pregos, parafusos etc.); existe o perigo de curto-circuito!
- Em resultado de um curto-circuito, as pilhas podem aquecer consideravelmente ou mesmo incendiar. Isto poderá resultar em queimaduras.

- Para sua segurança, os polos das pilhas são cobertos com fitas adesivas durante o transporte.
- Não toque numa pilha com ruturas e/ou com fugas. Se o líquido da pilha entrar em contacto com os seus olhos, lave-os o mais rapidamente possível com água limpa, sem esfregar os olhos. Dirija-se imediatamente ao hospital. Se não for devidamente tratado, poderá resultar em problemas oculares.

Refrigerante

(CE) N 842/2006: Esta unidade contém o refrigerante R290. A quantidade de refrigerante é inferior a 1kg e encontra-se num circuito de refrigeração fechado. O refrigerante tem zero potencial de destruição da camada de ozono, mas é um dos chamados gases com efeito de estufa, segundo o Protocolo de Quioto, pelo que pode contribuir para o aquecimento global se for libertado para a atmosfera. Neste sentido, o enchimento o esvaziamento do circuito deve ser efetuado unicamente por técnicos qualificados. O seu aparelho não tem de ser reabastecido com refrigerante se utilizado corretamente e possui um circuito de refrigeração intacto. GWP: R290: 3

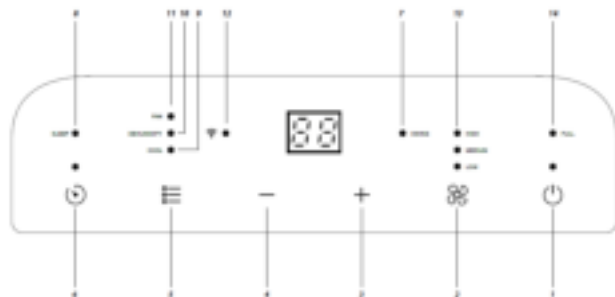
DESCRIÇÃO DAS PEÇAS

1. Entrada de ar	8. Conector de mangueira (lado da janela)
2. Filtro de ar	9. Mangueira de exaustão do ar quente

3. Painel de controlo	10. Conector de mangueira (lado do aparelho de ar condicionado)
4. Cabo de alimentação	11. Vedação da janela + Velcro
5. Saída de ar	12. Controlo remoto
6. Rodinha	13. Pilhas
7. Orifício de drenagem	

3	Aumento de temperatura	10	Indicador de desumidificação
4	Diminuição de temperatura	11	Indicador de ventoinha
5	Botão do modo	12	Indicador de Wi-Fi
6	Ligar/Desligar temporizador	13	Indicador de velocidade da ventoinha High (Alta)/ Medium (Média)/Low (Baixa)
7	Oscilação ligada/desligada	14	Indicador de água máxima

FUNÇÃO DO PAINEL DE CONTROLO

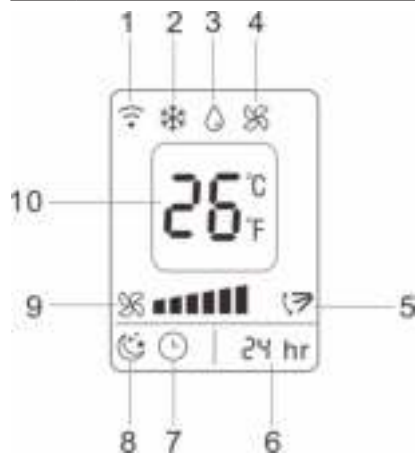


1	Ligar/Desligar	8	Modo de repouso
2	Velocidade da ventoinha	9	Indicador de arrefecimento

CONTROLO REMOTO COM VISOR LCD



1	Ligar/Desligar
2	Ligar/Desligar temporizador
3	Modo
4	Seletor °C/F°
5	Aumento de temperatura
6	Diminuição de temperatura
7	Visor LED
8	Oscilação automática
9	Velocidade da ventoinha
10	Modo de repouso



1	Sinal de receção
2	Refrigeração
3	Desumidificação
4	Ventoinha
5	Oscilação automática
6	Temporização
7	Ligar/Desligar temporizador
8	Modo de repouso
9	Velocidade da ventoinha
10	Indicador da temperatura

- São necessárias 2 baterias AAA.
- Certifique-se de que as baterias estão inseridas na direção correta.
- Ao substituir, certifique-se de que ambas as baterias foram trocadas simultaneamente.
- Prima os respetivos botões conforme explicado na parte relativa ao painel de controlo para controlar a ventoinha.

ANTES DA PRIMEIRA UTILIZAÇÃO

Antes de iniciar as operações nesta secção:

- Encontre um lugar com uma rede elétrica próxima.
- Instale a mangueira de exaustão e ajuste bem a posição da janela.
- Insira o cabo de alimentação numa tomada de AC220~240V/50Hz ligada à terra.

PT

- Prima o botão de alimentação para ligar o ar condicionado.
- Verifique se a mangueira de exaustão ficou corretamente montada.
- Regule os limites de temperatura: 16°C-31°C.
- Quando usar as funções de refrigeração e desumidificação, aguarde pelo menos 3 minutos entre a desconexão e nova ligação.

UTILIZAÇÃO DOS BOTÕES EXISTENTES NO DISPOSITIVO

Operação de refrigeração

- Prima o botão "Mode" (Modo) até aparecer o ícone "Cool" (Refrigerar).
- Prima o botão + <Aumento de temperatura> ou - <Diminuição de temperatura> para selecionar a temperatura ambiente desejada.
- O processo de refrigeração deve demorar cerca de 5 minutos a iniciar.
- Prima o botão "Fan speed" (Velocidade da ventoinha) para ajustar a velocidade do fluxo de ar.

Operação de desumidificação

- Prima o botão "Mode" (Modo) até aparecer o ícone "Dehumidify" (Desumidificar).
- A temperatura será selecionada automaticamente.
- A velocidade da ventoinha será selecionada automaticamente.

Operação da ventoinha

- Prima o botão "Mode" (Modo) até aparecer o ícone "Fan" (Ventoinha).

- Prima o botão "Fan speed" (Velocidade da ventoinha) para ajustar a velocidade do fluxo de ar.

Operação do temporizador

Configuração de Temporizador ON (LIGADO)

- Com o ar condicionado desligado (OFF), prima o botão "Timer" (Temporizador) e selecione a hora de ativação (ON) desejada com os botões de <Aumento de temperatura> e <Diminuição de temperatura>.
- A hora de ativação pode ser ajustada para qualquer hora do período de 0-24 horas.

Configuração de Temporizador OFF (DESLIGADO)

- Com o ar condicionado ligado (ON), prima o botão "Timer" (Temporizador) e selecione a hora de desativação (OFF) desejada com os botões de <Aumento de temperatura> e <Diminuição de temperatura>.
- A hora de desativação pode ser ajustada para qualquer hora do período de 0-24 horas.

Operação de oscilação (modo de oscilação)

- Prima este botão para iniciar o modo de oscilação, a aleta oscilará continuamente para cima e para baixo. Prima o botão novamente para parar a operação.

Funcionamento da função de suspensão

- No modo de refrigeração, prima o botão "Sleep" (Suspensão) para definir a temperatura. A temperatura definida aumenta 1 grau numa hora até um máximo de 2 graus passadas 2 horas.
- Prima o botão "Sleep" (Suspensão) para cancelar a operação.

Drenagem

- É necessário drenar a água acumulada no aparelho depois de um longo período de funcionamento e antes do respetivo armazenamento. Prepare um local ou tabuleiro adequado para recolha da água e remova o bujão de borracha do orifício de drenagem que se encontra na base da unidade. A água irá começar a escoar para fora da unidade. Assim que parar, pode voltar a inserir o bujão de drenagem.

Função de alarme de depósito de água interno cheio

- O depósito de água interno do ar condicionado tem um interruptor de segurança que controla o nível de água. Quando o nível de água alcança uma altura antecipada, a luz indicadora de nível máximo acende. Siga os passos anteriores para drenar a água.

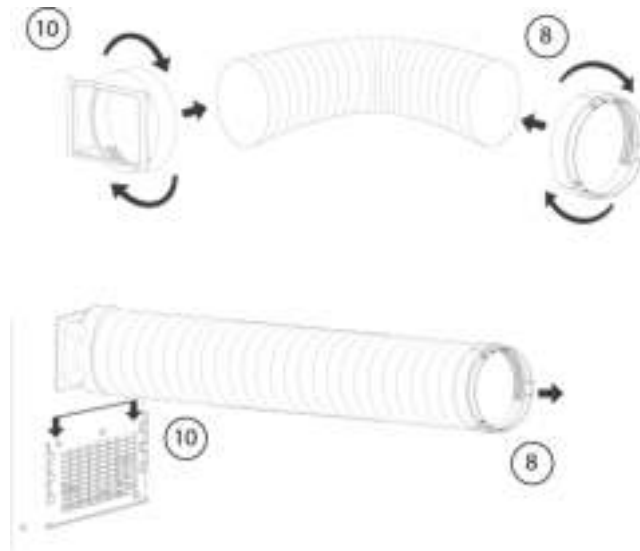
INSTALAÇÃO

- O ar condicionado deve ser instalado sobre uma superfície plana e estável. Não bloqueie a saída de ar e deixe pelo menos 30 cm de espaço livre à volta da unidade.
- A instalação elétrica deve estar de acordo com os requisitos locais em matéria de segurança elétrica.

Instalação da mangueira de exaustão

- Insira as duas extremidades da mangueira de exaustão do ar quente (9) no conector de mangueira do lado da janela (8) e no conector de mangueira do lado do ar condicionado (10), respetivamente.
- Insira o conector da mangueira do lado do ar condicionado (10) nas aberturas que se encontram na traseira do aparelho.

- Fixe o conector de mangueira do lado da janela (8) ao parapeito mais próximo.



Instalação do kit universal de janela

- Limpe a janela e o respetivo caixilho com sabão ou detergente e certifique-se de que todo o caixilho está isento de pó e gordura.

- Corte o Velcro à medida da janela com uma tesoura.
- Cole o Velcro à volta de toda a janela. Nota: não cole o Velcro ao vidro.
- Prenda o tecido à fita de Velcro. Comece pela parte estreita e trabalhe do centro para a restante fita de Velcro, que está colada ao caixilho da janela e a toda a sua volta.
- Poderá ser mais prático abrir a janela enquanto prende o tecido. Tenha o cuidado de deixar espaço suficiente nos cantos para que o tecido não fique preso à janela.
- Abra o fecho de correr do kit de janela em cerca de 50 centímetros.
- Coloque a mangueira do ar condicionado na abertura do tecido. Depois, feche o fecho até que a mangueira do ar condicionado fique segura.



UTILIZAÇÃO DO APARELHO COM A APP DE CLIMATIZAÇÃO



O aparelho pode ser usado manualmente com os controlos integrados ou com o controlo remoto, ou pode ser controlado através de um smartphone ou da voz. Antes de começar, certifique-se de que a app HomeWizard Climate foi descarregada. A app HomeWizard Climate está disponível para Android e iOS.

Emparelhe o seu aparelho com a app HomeWizard Climate

- Certifique-se de que o aparelho está ligado.
- Abra a app HomeWizard Climate.
- Crie uma conta ou, se já tem uma conta HomeWizard, inicie sessão usando os seus dados.
- Clique em “Adicionar novo Dispositivo de Climatização” para adicionar um novo dispositivo.
- Selecione o dispositivo que pretende ligar.
- Siga as instruções da app para ligar o aparelho.

LIMPEZA E MANUTENÇÃO

- Antes de limpar, desligue a unidade de qualquer fonte de alimentação elétrica.
- Primeiro, limpe a superfície com um detergente neutro e um pano húmido, depois passe um pano seco.
- Não use gasolina ou outros químicos para limpar a unidade.

- Não lave diretamente a unidade.

Filtro de ar

- O filtro de ar deve ser limpo de duas em duas semanas.
- Abra a grade de entrada de ar e retire o filtro.
- Limpe o filtro de ar com detergente neutro em água morna a 40 °C e deixe secar (sem luz solar direta).
- Reinstale o filtro de ar na grade de entrada.

RESOLUÇÃO DE PROBLEMAS

Problemas	Possíveis Causas	Resoluções Sugeridas
-----------	------------------	----------------------

<p>A unidade não começa a funcionar quando se prime o botão de ligar/desligar.</p>	<ul style="list-style-type: none"> • A luz indicadora de depósito de água cheio pisca e o depósito está cheio. • A temperatura ambiente é superior à temperatura definida. (modo de aquecimento elétrico) • A temperatura ambiente é inferior à temperatura definida. (modo de refrigeração) 	<ul style="list-style-type: none"> • Drene o depósito de água. • Ajuste a temperatura.
--	---	--

PT

<p>A unidade não refrigera suficientemente.</p>	<ul style="list-style-type: none"> • As portas ou janelas não estão fechadas. • Existem fontes de calor no local. • A mangueira de exaustão do ar quente não está ligada ou está bloqueada. • A temperatura definida é demasiado elevada. • A entrada de ar está bloqueada. 	<ul style="list-style-type: none"> • Certifique-se de que todas as janelas e portas estão fechadas. • Remova as fontes de calor, se possível. • Ligue ou limpe a mangueira de exaustão do ar quente. • Redefina a temperatura. • Limpe a entrada de ar.
<p>Ruidoso.</p>	<ul style="list-style-type: none"> • O piso não é suficientemente nivelado ou plano. • O som é produzido pela circulação do refrigerante dentro do aparelho de ar condicionado. 	<ul style="list-style-type: none"> • Coloque a unidade sobre um piso plano e nivelado, se possível.

<p>Código E0</p>	<ul style="list-style-type: none"> • O sensor de temperatura ambiente falhou. 	<ul style="list-style-type: none"> • Substitua o sensor de temperatura ambiente.
<p>Código E1</p>	<ul style="list-style-type: none"> • O sensor de temperatura do condensador falhou 	<ul style="list-style-type: none"> • Substitua o sensor de temperatura do condensador.
<p>Código E2</p>	<ul style="list-style-type: none"> • Tabuleiro coletor de água cheio durante a refrigeração 	<ul style="list-style-type: none"> • Retire o bujão de borracha e esvazie a água.
<p>Código E3</p>	<ul style="list-style-type: none"> • O sensor de temperatura da tubagem falhou. 	<ul style="list-style-type: none"> • Substitua o sensor de temperatura da tubagem.
<p>Código E4</p>	<ul style="list-style-type: none"> • Depósito de água cheio 	<ul style="list-style-type: none"> • Esvazie o depósito de água.

O PRODUTO OU EQUIPAMENTO CONTÉM GÁS FLUORADO COM EFEITO DE ESTUFA.

<p>Nº artigo</p>	<p>352900</p>
<p>Refrigerante:</p>	<p>R290</p>
<p>Quantidade em kg:</p>	<p>0,212</p>

Potencial para aquecimento global:	3
Equivalente a CO2 em toneladas:	0,000636
Nº artigo	353200
Refrigerante:	R290
Quantidade em kg:	0,226
Potencial para aquecimento global:	3
Equivalente a CO2 em toneladas:	0,000678

DECLARAÇÃO DE CONFORMIDADE

- A Smartwares Europe declara, pelo presente, que o equipamento rádio tipo 352900 / 353200 está em conformidade com a Diretiva 2014/53/UE
- O texto completo da Declaração de Conformidade UE está disponível no seguinte endereço da internet: www.princesshome.eu/doc


FUNCIONAMENTO



Este equipamento não deve ser colocado no lixo doméstico no final da sua vida útil, mas antes entregue num centro de reciclagem de equipamento doméstico elétrico e eletrónico. Este símbolo no equipamento, o manual de instruções e a embalagem chamam a atenção para esta questão importante. Os materiais usados neste equipamento podem ser reciclados. Ao reciclar eletrodomésticos usados estará a contribuir de forma significativa para proteger o nosso ambiente. Informe-se sobre os pontos de recolha junto das entidades locais.

A diretiva europeia sobre pilhas (2006/66/CE) declara que não é permitido eliminar as pilhas junto com o lixo doméstico. Podem conter substâncias prejudiciais para o ambiente. As pilhas descarregadas podem ser entregues num centro de recolha público local ou num centro de reciclagem local. Para evitar o sobreaquecimento como resultado de um curto-circuito, as pilhas de lítio devem ser removidas do produto e os pólos devem ser protegidos com fita isolante ou qualquer outro meio de proteção contra curto-circuito.

SICUREZZA

- Si prega di leggere attentamente questo manuale d'uso per usare, mantenere e installare correttamente l'apparecchio.
 - Il produttore non è responsabile di eventuali danni e lesioni conseguenti la mancata osservanza delle istruzioni di sicurezza.
 - L'apparecchio è destinato esclusivamente all'uso in ambienti interni.
 - Non collegare l'apparecchio ad una presa elettrica danneggiata o non correttamente installata.
 - Non utilizzare l'apparecchio:
 - vicino a fiamme libere o fuochi;
 - in luoghi dove potrebbe essere esposto a schizzi di olio;
 - alla luce diretta del sole;
 - in luoghi dove potrebbe essere esposto a schizzi di acqua;
 - vicino a bagni, docce o piscine.
 - Non inserire mai le dita od oggetti nelle bocchette di uscita dell'aria. Avvertire in modo esauritivo e chiaro i bambini di questi pericoli.
 - Tenere l'apparecchio in verticale durante il trasporto e lo stoccaggio.
- Prima di pulire l'apparecchio, spegnerlo o scollegarlo dall'alimentazione elettrica.
 - Prima di spostare l'apparecchio, scollegarlo dall'alimentazione elettrica.
-  **AVVERTENZA:** Per evitare il rischio d'incendio, non coprire l'apparecchio.
- Tutte le prese elettriche dell'apparecchio devono essere conformi ai requisiti locali di sicurezza elettrica. Verificare le prese elettriche, se necessario.
 - Se il cavo di alimentazione è danneggiato, deve essere sostituito dal produttore, da un addetto all'assistenza o da personale con qualifiche analoghe per evitare rischi.
 - L'apparecchio può essere utilizzato da bambini di almeno 8 anni e da persone con ridotte capacità fisiche, sensoriali o mentali oppure da persone prive della necessaria pratica ed esperienza solo sotto la supervisione di un adulto o dopo aver ricevuto adeguate istruzioni sull'uso in sicurezza dell'apparecchio e aver compreso i possibili rischi. I bambini non devono giocare con l'apparecchio. I bambini non devono eseguire interventi di manutenzione e pulizia in assenza di idonea supervisione.

- Questo apparecchio è destinato a un uso esclusivamente domestico e deve essere utilizzato soltanto per gli scopi previsti.
 - Note:
 - In caso di qualsiasi tipo di danno, scollegare l'alimentazione elettrica e contattare il rivenditore o un centro di assistenza specializzato.
 - La presa elettrica a cui collegare il cavo di alimentazione deve essere sempre correttamente collegata a terra.
 - Per evitare pericoli, se il cavo di alimentazione è danneggiato, scollegare l'alimentazione elettrica. Il cavo di alimentazione deve essere sostituito dal rivenditore o da un centro di assistenza specializzato.
- Avvertenza**
- Utilizzare esclusivamente il processo di sbrinamento e pulizia consigliato dal produttore. Non accelerare in nessun altro modo il processo di sbrinamento o di pulizia.
 - L'apparecchio deve essere riposto in un locale in cui non vi sia la presenza costante di fonti di ignizione (ad esempio: fiamme libere, un apparecchio a gas o un riscaldatore elettrico in funzione).
 - Non perforare e non incendiare.
 - Tenere presente che i gas refrigeranti potrebbero non essere addizionati con sostanze odorizzanti.
 - L'apparecchio deve essere installato, utilizzato e riposto in un locale di superficie superiore a X m². (X=12 for 9000Btu/h; X=15 for 12000Btu/h)
 - Per la riparazione o la manutenzione di questo apparecchio, contattare esclusivamente un tecnico dell'assistenza autorizzato.
 - Non tirare, deformare o modificare il cavo di alimentazione, né immergerlo in acqua. La trazione o l'uso improprio del cavo di alimentazione può causare danni all'apparecchio ed esporre al pericolo di folgorazione.
 - La conformità alle normative nazionali in materia di gas deve essere osservata.
 - Tenere le aperture di ventilazione libere da ostruzioni.
 - La manutenzione deve essere eseguita solo secondo le raccomandazioni del produttore dell'apparecchio. La manutenzione e le riparazioni che richiedono l'assistenza di altro personale qualificato devono essere

effettuate sotto la supervisione di un operatore autorizzato all'uso di refrigeranti infiammabili.

- Non spegnere l'apparecchio scollegando la spina di alimentazione mentre l'apparecchio è in funzione, poiché si potrebbe incorrere nel rischio di folgorazione o di causare un incendio a causa di surriscaldamento, a meno che l'apparecchio non emetta rumori od odori inconsueti o fumo.



Informazioni specifiche per gli apparecchi contenenti gas refrigerante R290.

- Leggere attentamente tutte le avvertenze.
- Per lo sbrinamento e la pulizia dell'apparecchio, non utilizzare attrezzi diversi da quelli raccomandati dall'azienda produttrice.

- L'apparecchio non deve essere riposto in locali in cui vi sia la presenza costante di fonti di ignizione (ad esempio: fiamme libere, un apparecchio a gas o un riscaldatore elettrico in funzione).
- Non forare e non incendiare.
- Questo apparecchio contiene Y g (vedere la targhetta identificativa dell'apparecchio) di gas refrigerante R290.
- R290 è un gas refrigerante conforme alle direttive europee sull'ambiente. Non forare alcuna porzione del circuito del refrigerante.
- Se l'apparecchio è installato, è in funzione o è stato riposto in un locale non ventilato, tale locale deve essere progettato in modo da evitare l'accumulo di perdite di refrigerante, che potrebbero infiammarsi in presenza di riscaldatori elettrici, stufe o altre fonti di ignizione, causando incendi o esplosioni.
- L'apparecchio deve essere riposto in modo da evitare guasti meccanici.
- Chiunque effettui interventi di installazione, riparazione, ricerca perdite e manutenzione di impianti contenenti gas refrigeranti deve essere in possesso di un certificato in corso di validità rilasciato da un'autorità accreditata del settore.

- Le riparazioni devono essere eseguite secondo le raccomandazioni dell'azienda produttrice. La manutenzione e le riparazioni che richiedono l'assistenza di altro personale qualificato devono essere effettuate sotto la supervisione dell'operatore autorizzato all'uso di refrigeranti infiammabili.

Batterie

- Non esporre la batteria a temperature elevate o alla luce diretta del sole. Non gettare mai le batterie nel fuoco. Pericolo di esplosione!
- Conservare le batterie fuori dalla portata dei bambini. Le batterie non sono un giocattolo!
- Non aprire una batteria forzatamente.
- Evitare il contatto con oggetti metallici (anelli, chiodi, viti, ecc.), per non esporsi al pericolo di un cortocircuito!
- A fronte di un corto circuito le batterie possono surriscaldarsi notevolmente o addirittura incendiarsi.
- Come misura di sicurezza i poli della batteria sono coperti con strisce adesive durante il trasporto.

- Non toccare una batteria rotta e/o che perde. Se il liquido della batteria entra in contatto con gli occhi, sciacquare gli occhi il prima possibile con acqua corrente, senza strofinare. Recarsi immediatamente in ospedale. Se non viene trattato correttamente, può causare problemi agli occhi.

Refrigerante

(CE) N 842/2006: Questo Unità contiene il refrigerante R290. La quantità di refrigerante è inferiore a 1 kg e si trova in un circuito di raffreddamento sigillato. Il refrigerante ha un potenziale di riduzione dell'ozono pari a zero, ma è un cosiddetto gas serra ai sensi del protocollo di Kyoto e può quindi contribuire al riscaldamento globale, se viene rilasciato nell'atmosfera. Pertanto, solo tecnici addestrati e in possesso di Certificazione di tecnici del freddo o, come comunemente denominato, di Patentino Frigoristi, possono eseguire il riempimento o lo svuotamento del circuito. L'apparecchio non richiede il rabbocco del refrigerante se usato correttamente e se il circuito del refrigerante è integro. GWP: R290: 3

IT

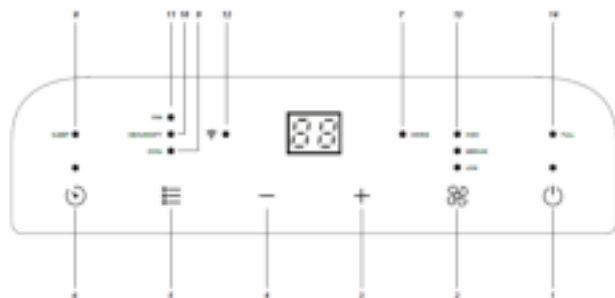
DESCRIZIONE DELLE PARTI

1. Presa d'aria	8. Raccordo per tubo flessibile (lato finestra)
2. Filtro dell'aria	9. Tubo flessibile di scarico dell'aria calda
3. Pannello comandi	10. Raccordo per tubo flessibile (lato condizionatore d'aria)

4. Cavo di alimentazione	11. Guarnizione per finestra + Velcro
5. Uscita aria	12. Telecomando
6. Rotelle	13. Batterie
7. Foro di drenaggio	

5	Tasto modalità	12	Indicatore Wi-Fi
6	Timer on/off	13	Indicatore velocità alta/ media/bassa della ventola
7	Oscillazione on/off	14	Indicatore serbatoio dell'acqua pieno

FUNZIONE DEL PANNELLO COMANDI

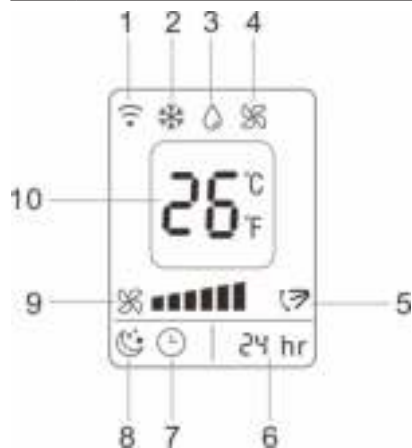


1	Accensione/spengimento	8	Modalità notturna
2	Velocità ventola	9	Indicatore raffreddamento
3	Temperatura +	10	Indicatore deumidificazione
4	Temperatura -	11	Indicatore ventilazione

TELECOMANDO CON DISPLAY LCD



1	Accensione/spegnimento
2	Timer on/off
3	Modalità
4	Selettore °C/F°
5	Temperatura +
6	Temperatura -
7	Display a LED
8	Oscillazione automatica
9	Velocità ventola
10	Modalità notturna



1	Ricezione segnale
2	Raffreddamento
3	Deumidificazione
4	Ventilazione
5	Oscillazione automatica
6	Tempo
7	Timer on/off
8	Modalità notturna
9	Velocità ventola
10	Visualizzazione temperatura

- Sono necessarie 2 batterie AAA.
- Assicurarsi che le batterie siano orientate correttamente.
- Quando le batterie si scaricano, sostituirle sempre entrambe contemporaneamente.
- Per azionare la ventilazione premere i tasti corrispondenti a quelli del pannello comandi, spiegati sopra.

PRIMA DEL PRIMO UTILIZZO

Prima di eseguire le operazioni di questa sezione:

- Scegliere una posizione in cui l'alimentazione elettrica sia nelle immediate vicinanze.
- Installare il tubo di scarico e regolare la posizione della finestra.
- Inserire il cavo di alimentazione in una presa AC 220~240 V/50 Hz dotata di messa a terra.

- Premere il pulsante di accensione per accendere il condizionatore d'aria.
 - Verificare che il tubo di scarico sia stato montato correttamente.
 - Impostare la temperatura: 16 °C – 31 °C.
 - Quando si utilizzano le funzioni di raffreddamento e deumidificazione, attendere almeno 3 minuti tra lo spegnimento e l'accensione.
- Quando il condizionatore d'aria è spento, premere il tasto "Timer", selezionare l'ora di accensione desiderata e regolare con i tasti di <Temperatura +> e <Temperatura ->.
 - L'ora di accensione può essere regolata liberamente tra 0 e 24 ore.

Spegnimento temporizzato

- Quando il condizionatore d'aria è spento, premere il tasto "Timer", selezionare l'ora di spegnimento desiderata e regolare con i tasti di <Temperatura +> e <Temperatura ->.
- L'ora di spegnimento può essere regolata liberamente tra 0 e 24 ore.

USO DEI TASTI SULL'APPARECCHIO

Raffreddamento

- Premere il tasto "Modalità" finché non appare l'icona di "Raffreddamento".
- Premere il tasto + <temperatura +> o - <Temperatura -> per selezionare la temperatura ambiente desiderata.
- La funzione raffreddamento si avvia dopo 5 minuti.
- Premere il tasto "Velocità ventola" per regolare il flusso d'aria.

Deumidificazione

- Premere il tasto "Modalità" finché non appare l'icona di "Deumidificazione".
- La temperatura viene selezionata automaticamente.
- La velocità della ventola viene selezionata automaticamente.

Ventilazione

- Premere il tasto "Modalità" finché non appare l'icona di "Ventilazione".
- Premere il tasto "Velocità ventola" per regolare il flusso d'aria.

Timer

Accensione temporizzata

Oscillazione (modalità di oscillazione)

- Premere questo pulsante per avviare la modalità di oscillazione, la griglia oscillerà continuamente verso l'alto e verso il basso. Premere nuovamente questo tasto per fermare l'oscillazione.

Modalità notturna

- In modalità raffreddamento, premere il tasto "Notte" per impostare la temperatura. La temperatura impostata viene aumentata di 1 grado entro un'ora fino ad un massimo di 2 gradi trascorse 2 ore.
- Premere il tasto "Notte" per annullare l'operazione.

Scarico acqua

- Dopo un utilizzo prolungato e prima di riporre l'apparecchio, è necessario scaricare l'acqua raccolta. Preparare un luogo o un vassoio adatto a raccogliere l'acqua e rimuovere il tappo in gomma dal foro di scarico sul fondo dell'apparecchio. L'acqua inizierà a defluire. Al termine, reinstallare il tappo di scarico.

Allarme per serbatoio acqua pieno

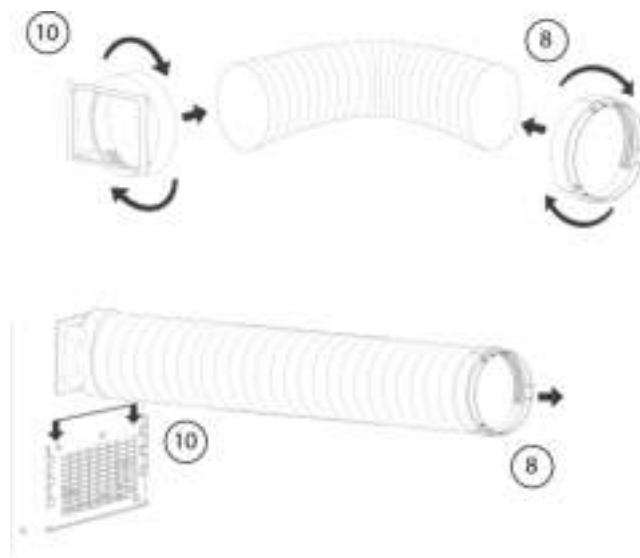
- Il serbatoio interno del condizionatore d'aria è dotato di un interruttore di sicurezza che controlla il livello dell'acqua. Quando il livello dell'acqua raggiunge l'altezza prevista, si accende la spia di serbatoio pieno. Seguire i passaggi descritti precedente per scaricare l'acqua.

INSTALLAZIONE

- Il condizionatore d'aria deve essere installato su una superficie piana e stabile. Non bloccare l'uscita dell'aria e lasciare almeno 30 cm intorno all'apparecchio.
- Il cablaggio della presa deve essere conforme ai requisiti locali di sicurezza elettrica.

Installazione del tubo di scarico

- Avvitare ad un'estremità del tubo flessibile di scarico dell'aria calda (9) il raccordo lato finestra (8) e all'altra estremità del tubo il raccordo lato condizionatore d'aria (10).
- Inserire il raccordo (10) nelle aperture sul retro del condizionatore d'aria.
- Fissare il raccordo lato finestra (8) al davanzale più vicino.



Installazione del kit finestra universale

- Pulire la finestra e relativo telaio con sapone o detergente e assicurarsi che l'intero telaio della finestra sia privo di polvere e grasso.
- Tagliare il Velcro alle dimensioni della finestra con le forbici.

- Fissare il Velcro intorno alla finestra. Nota: non incollare il velcro sul vetro.
- Fissare il telo al nastro Velcro. Iniziare con la parte corta e fissarlo partendo dal centro verso la parte restante del nastro Velcro, che è fissato al telaio della finestra e intorno alla finestra.
- Può essere utile aprire la finestra per agevolare il fissaggio del telo. Assicurarsi di lasciare agio sufficiente negli angoli per evitare che il telo si impigli nella finestra.
- Aprire la zip del kit per finestra di circa 50 centimetri.
- Posizionare il tubo flessibile dell'aria condizionata nell'apertura del telo. Poi, chiudere la zip per ridurre l'apertura al diametro del tubo.



USO DEL APPARECCHIO CON L'APP CLIMATE



L'apparecchio può essere comandato manualmente con i suoi comandi integrati oppure con uno smartphone o mediante comandi vocali. Prima di iniziare, assicurarsi che l'app HomeWizard Climate sia stata scaricata. L'app HomeWizard Climate è disponibile per Android o iOS.

Associare l'apparecchio all'app HomeWizard Climate

- Assicurarsi che l'apparecchio sia alimentato.
- Aprire l'app HomeWizard Climate.
- Creare un account o accedere con l'account HomeWizard creato precedentemente.
- Fare clic su "Add new Climate Device" (Aggiungi nuovo dispositivo) per aggiungere un nuovo dispositivo.
- Selezionare il dispositivo da collegare.
- Seguire le istruzioni dell'app per collegare l'apparecchio.

PULIZIA E MANUTENZIONE

- Prima della pulizia, assicurarsi di scollegare l'apparecchio dalla presa elettrica.
- Pulire prima la superficie esterna con un detergente neutro e un panno umido, poi passare un panno asciutto.
- Non utilizzare benzina o altri prodotti chimici per pulire l'apparecchio.

- Non lavare l'apparecchio direttamente sotto l'acqua.
- Filtro dell'aria**
- Il filtro dell'aria deve essere pulito una volta ogni due settimane.
 - Aprire la griglia della presa d'aria ed estrarre il filtro dell'aria.
 - Pulire il filtro dell'aria con un detergente neutro in acqua tiepida a 40 °C e lasciare asciugare (non alla luce diretta del sole).
 - Rimontare il filtro dell'aria nella griglia della presa d'aria.

RISOLUZIONE DEI PROBLEMI

Problemi	Possibili cause	Rimedi suggeriti
----------	-----------------	------------------

L'apparecchio non si avvia quando si preme il pulsante di accensione.	<ul style="list-style-type: none"> • La spia del serbatoio pieno lampeggia e il serbatoio dell'acqua è pieno. • La temperatura ambiente è superiore alla temperatura impostata. (Modalità riscaldamento elettrico) • La temperatura ambiente è inferiore alla temperatura impostata. (Modalità raffreddamento) 	<ul style="list-style-type: none"> • Svuotare il serbatoio dell'acqua. • Regolare la temperatura.
---	---	---

IT

L'apparecchio non raffredda abbastanza.	<ul style="list-style-type: none"> Le porte o le finestre non sono chiuse. Ci sono fonti di calore all'interno della stanza. Il tubo di scarico dell'aria calda non è collegato o è bloccato. La temperatura impostata è troppo alta. La presa d'aria è ostruita. 	<ul style="list-style-type: none"> Assicurarsi che tutte le finestre e le porte e finestre siano chiuse. Eliminare le fonti di calore, se possibile. Collegare o pulire il tubo di scarico dell'aria calda. Reimpostare la temperatura. Pulire la presa d'aria.
Apparecchio rumoroso.	<ul style="list-style-type: none"> Il pavimento non è sufficientemente livellato. Il rumore è causato dal flusso del refrigerante all'interno del condizionatore d'aria. 	<ul style="list-style-type: none"> Se possibile, posizionare l'apparecchio su una superficie piana e livellata.
Codice E0	<ul style="list-style-type: none"> Sensore di temperatura ambiente guasto. 	<ul style="list-style-type: none"> Sostituire il sensore di temperatura ambiente.

Codice E1	<ul style="list-style-type: none"> Sensore di temperatura di condensazione guasto 	<ul style="list-style-type: none"> Sostituire sensore di temperatura di condensazione.
Codice E2	<ul style="list-style-type: none"> Contenitore dell'acqua pieno in modalità raffreddamento 	<ul style="list-style-type: none"> Togliere il tappo di gomma e svuotare l'acqua.
Codice E3	<ul style="list-style-type: none"> Sensore di temperatura del tubo guasto. 	<ul style="list-style-type: none"> Sostituire sensore di temperatura del tubo.
Codice E4	<ul style="list-style-type: none"> Serbatoio dell'acqua pieno 	<ul style="list-style-type: none"> Svuotare il serbatoio dell'acqua.

**IL PRODOTTO O L'APPARECCHIATURA
CONTIENE GAS FLUORURATI AD EFFETTO
SERRA.**

Art.nr.	352900
Refrigerante:	R290
Quantità in kg:	0,212
Potenziale di riscaldamento globale:	3

Equivalente di CO2 in tonnellate:	0,000636
Art.nr.	353200
Refrigerante:	R290
Quantità in kg:	0,226
Potenziale di riscaldamento globale:	3
Equivalente di CO2 in tonnellate:	0,000678

DICHIARAZIONE DI CONFORMITÀ

- Con il presente documento, Smartwares Europe dichiara che gli apparecchi modello 352900 / 353200 con funzioni radio sono conformi alla Direttiva 2014/53/UE
- Il testo integrale della dichiarazione di conformità UE è disponibile al seguente indirizzo internet: www.princesshome.eu/doc

AMBIENTE




Questo apparecchio non deve essere smaltito con i rifiuti domestici al termine del suo ciclo di vita, ma deve essere conferito presso i punti di raccolta per il riciclo di apparecchi elettrici ed elettronici per uso domestico. Questo simbolo sull'apparecchio, sul manuale di istruzioni e sull'imballaggio pone l'attenzione su questa importante questione ambientale. I materiali utilizzati in questo apparecchio possono essere riciclati. Il riciclo degli elettrodomestici usati è un importante contributo alla protezione del nostro ambiente. Contattare le autorità locali per informazioni riguardanti il punto di raccolta locale.

La direttiva europea per le batterie (2006/66/CE) stabilisce che non è consentito gettare le batterie nei rifiuti domestici. Possono contenere sostanze dannose per l'ambiente. Le batterie scariche possono essere conferite negli appositi punti di raccolta o presso la piattaforma ecologica locale. Per evitare il surriscaldamento dovuto ad un cortocircuito, le batterie al litio devono essere rimosse dal prodotto e i poli devono essere protetti con nastro isolante o altri mezzi per prevenire cortocircuiti.

SÄKERHET

- Läs användarmanualen noggrant för att säkerställa korrekt användning, underhåll och installation.
- Om dessa säkerhetsanvisningar ignoreras kan inget ansvar utkrävas av tillverkaren för eventuella skador som uppkommer.
- Apparaten är endast för inomhusbruk.
- Anslut inte enheten till ett uttag som är trasigt eller som inte installerats på rätt sätt.
- Använd inte enheten
 - i närheten av en brandkälla.
 - i ett område där det kan skvätta olja.
 - i ett område med direkt solljus.
 - i ett område där det kan skvätta vatten.
 - i närheten av ett badkar, en dusch eller en pool.
- För aldrig in dina fingrar eller objekt i luftutloppet. Var extra varsam och varna barn om dessa faror.
- Ha enheten upprätt under transport och förvaring.
- Stäng alltid av eller koppla bort enhetens strömförsörjning före rengöring.
- Stäng alltid av eller koppla bort strömförsörjningen före förflyttning.

-  **WARNING!** För att undvika risk för brand ska enheten inte täckas över.
- Alla uttag måste uppfylla lokala elsäkerhetskrav. Kontrollera vid behov.
- Om nätsladden är skadad måste den bytas ut av tillverkaren, dess servicerepresentant eller liknande kvalificerade personer för att undvika fara.
- Apparaten kan användas av barn från och med 8 års ålder och av personer med ett fysiskt, sensoriskt eller mentalt handikapp eller brist på erfarenhet och kunskap, om de övervakas eller instrueras om hur apparaten ska användas på ett säkert sätt och förstår de risker som kan uppkomma. Barn får inte leka med apparaten. Rengöring och underhåll ska inte utföras av barn utan överinseende av vuxen.
- Denna apparat får endast användas för hushållsändamål och endast för det syfte den är konstruerad för.
- Obs!
 - Om skador uppstått ska du koppla bort strömförsörjningen och kontakta återförsäljaren eller en reparatör.
 - Strömkabeln ska alltid vara jordad.

- Koppla bort strömförsörjningen om strömkabeln skadas för att undvika risk för fara. Den måste bytas ut av återförsäljaren eller en reparatör.

Varning

- Använd endast tillverkarens rekommenderade process för avfrostning och rengöring. Försök inte att skynda på avfrostnings- eller rengöringsprocessen på något sätt.
 - Apparaten ska förvaras i ett rum utan antändningskällor (exempelvis öppen eld, gasapparater eller elektriska värmare i bruk).
 - Gör inte hål i eller bränn den.
 - Var medveten om att köldmedium ska vara doftfria.
 - Apparaten ska installeras, användas och förvaras i ett utrymme som är större än X m². (X = 12 för 9000 Btu/h; X = 15 för 12000 Btu/h)
 - Kontakta enbart auktoriserade servicetekniker för reparation eller underhåll av enheten.
- Dra inte i, deformera eller modifiera strömkabeln och sänk heller inte ned den i vatten. Att dra i eller felaktigt använda strömkabeln kan leda till skador på enheten och elstötar.
 - Nationella gasföreskrifter ska följas.
 - Håll ventilationsöppningar fria från hinder.
 - Service ska endast utföras så som tillverkaren av utrustningen rekommenderar. Underhåll och reparationer som kräver hjälp från övriga fackkunniga ska utföras under övervakning från person(-er) som har kompetens inom användningen av brandfarliga köldmedium.
 - Stäng inte av enheten genom att dra ut kontakten under användning, såvida den inte avger onormala ljud eller rök, eftersom det kan leda till elstötar eller brand på grund av värmealstring.



Specifik information som rör apparater med köldmedium R 290.

- Läs noggrant igenom alla varningar.
- Vid avfrostning och rengöring av apparaten ska inga verktyg användas utöver de som tillverkaren rekommenderar.
- Apparaten ska inte förvaras i ett rum med antändningskällor (exempelvis öppen eld, gasapparater eller elektriska värmare i bruk).
- Gör inte hål i eller bränn apparaten.
- Apparaten innehåller Y g av köldmedium R290 (se klassificeringsetiketten på enhetens baksida).
- R290 är ett köldmedium som överensstämmer med de europeiska miljödirektiven. Gör inte hål i någon del av kylkretsen.
- Om apparaten installeras, används eller förvaras på en plats utan ventilation måste rummet vara utformat för att förhindra ackumulering av köldmediumläckage som kan leda till brand- eller explosionsrisker eftersom köldmedium kan antändas av eluppvärmning, spisar eller andra brandkällor.
- Apparaten måste förvaras på ett sätt som förhindrar maskinfel.

- Personer som använder eller arbetar med kylkretsen måste ha giltig certifiering som utfärdats av en ackrediterad organisation som säkerställer att kompetens upprätthålls vid hantering av köldmedium i enlighet med en specifik utvärdering som är erkänd av föreningar inom branschen.
- Reparationer måste utformas baserat på de rekommendationer som kommer från tillverkaren. Underhåll och reparationer som kräver hjälp från övriga kvalificerade ska utföras under övervakning från någon som är specialiserad inom användningen av brandfarliga köldmedium.

Batterier

- Utsätt inte batteriet för höga temperaturer eller direkt solljus. Släng aldrig batterier i en eld. Fara för explosion!
- Håll batterier borta från barn. Batterier är inte en leksak!
- Öppna inte batterierna med våld.
- Undvik kontakt med metallföremål. (Ringar, spikar, skruvar osv.) Det finns risk för kortslutning!
- På grund av kortslutning kan batterier värmas upp avsevärt eller till och med fatta eld. Detta kan leda till brännskador.

- För att skydda dig är batteripolerna täckta med limremсор under transport.
- Rör inte vid ett brustet och/eller läckande batteri. Om du får batterivätska i ögonen: skölj ögonen så snabbt som möjligt med rent vatten utan att gnugga dem. Uppsök omedelbart sjukhus. Du kan få ögonproblem om det inte behandlas ordentligt.

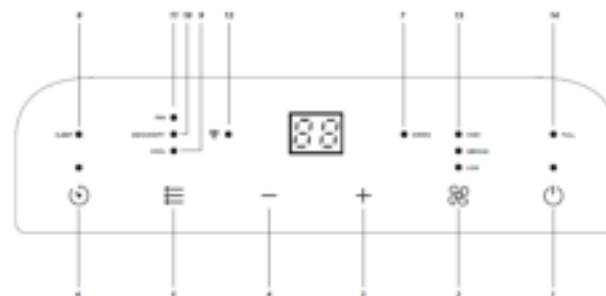
Köldmedium

(CE) N 842/2006: Enheter innehåller köldmedium R290. Mängden köldmedium är mindre än 1 kg och finns i en stängd kylkrets. Kylmedlet har potential för nedbrytning av ozonskiktet, men är en så kallad växthusgas enligt Kyotoprotokollet och kan därför bidra till global uppvärmning om den frigörs i atmosfären. Därför ska enbart utbildade tekniker med köldmediumcertifikat fylla på eller tömma ut. Apparaten behöver inte fyllas på med köldmedium om den används korrekt och har en hel kylkrets. GWP: R290: 3

BESKRIVNING AV DELAR

1. Luftintag	8. Slangkontakt (fönster)
2. Luftfilter	9. Utloppsslang varmluft
3. Kontrollpanel	10. Slangkontakt (luftkonditionering)
4. Strömkabel	11. Fönstertätning + kardborreband
5. Luftutlopp	12. Fjärrkontroll
6. Hjul	13. Batterier
7. Tömningshåll	

KONTROLLPANELENS FUNKTIONER



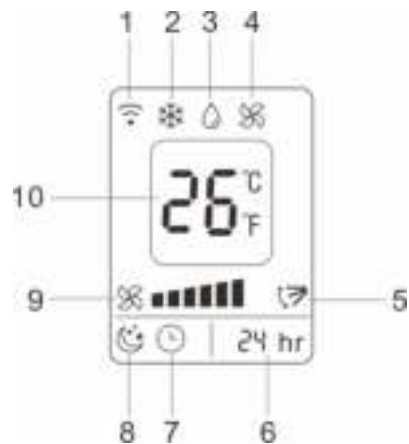
1	Ström på/av	8	Viloläge
2	Fläkthastighet	9	Kylindikator
3	Temperatur upp	10	Avfuktningssindikator
4	Temperatur ned	11	Fläktindikator
5	Lägesknapp	12	Wi-Fi-indikator
6	Timer på/av	13	Indikator för hög/medel/låg fläkthastighet
7	Svängning på/av	14	Indikator för full vattentank

SV

FJÄRRKONTROLL MED LCD-DISPLAY



1	Ström på/av
2	Timer på/av
3	Läge
4	Väljare °C/°F
5	Temperatur upp
6	Temperatur ned
7	LED-display
8	Automatisk svängning
9	Fläkthastighet
10	Viloläge



1	Mottagningssignal
2	Kylning
3	Avfuktning
4	Fläkt
5	Automatisk svängning
6	Timing
7	Timer på/av
8	Viloläge
9	Fläkthastighet
10	Temperaturdisplay

- 2 st. AAA-batterier krävs.
- Kontrollera att batterierna sitter åt rätt håll.
- Båda batterierna ska bytas samtidigt vid batteribyte.
- Tryck på motsvarande knapp enligt kontrollpanelen för att använda fläkten.

INNAN DEN ANVÄNDS FÖRSTA GÅNGEN

Före användning:

- Leta upp en plats i närheten av en strömkälla.
- Montera utloppsslangen och anpassa positionen vid fönstret.
- Anslut strömkabeln till ett jordat uttag (AC220~240V/50Hz).
- Tryck på strömbrytaren för att slå på luftkonditioneringen.
- Kontrollera att utloppsslangen är korrekt monterad.
- Ställ in temperaturintervallet: 16–31 °C.
- Låt det gå minst 3 minuter mellan det att du slår av enheten och slår på den igen när du använder kyl- och avfuktningfunktionen.

ANVÄNDA ENHETSKNAPPARNA

Kylning

- Tryck på lägesknappen tills Cool-symbolen visas.
- Tryck på + <Temperatur upp> eller - <Temperatur ned> för att välja önskad rumstemperatur.
- Vänta runt 5 minuter tills kylningen startar.
- Tryck på knappen för fläkthastighet för att anpassa lufthastigheten.

Avfuktning

- Tryck på lägesknappen tills ikonen Avfuktning visas.
- Temperaturen väljs automatiskt.

- Fläkthastigheten väljs automatiskt.

Fläktdrift

- Tryck på lägesknappen tills ikonen Fläkt visas.
- Tryck på knappen för fläkthastighet för att anpassa lufthastigheten.

Timeranvändning

Timer PÅ-inställning

- Tryck på timerknappen när luftkonditioneringen är AV och välj när den ska slås PÅ med knapparna <Temperatur upp> och <Temperatur ned>.
- Tiden kan ställas in på mellan 0–24 timmar.

Timer AV-inställning

- Tryck på timerknappen när luftkonditioneringen är PÅ och välj när den ska slås AV med knapparna <Temperatur upp> och <Temperatur ned>.
- Tiden kan ställas in på mellan 0–24 timmar.

Svängning (oscilleringsläge)

- Tryck på den här knappen för att starta oscilleringsläget. Luftintaget svänger kontinuerligt upp och ned. Tryck på knappen igen för att stoppa driften.

Viloläge

- I kyl läget trycker du på knappen Viloläge för att ställa in ställa in temperaturen. Den inställda temperaturen höjs med 1 grad inom en timme till maximalt 2 grader efter 2 timmar.
- Tryck på knappen Viloläge för att avbryta åtgärden.

Tömning

- Efter långvarig användning och förvaring måste du tömma ut uppsamlat vatten. Förbered en lämplig plats eller bricka för att samla upp vatten och ta bort gummistoppet från tömningshålet i botten av enheten. Vattnet börjar tömmas ut. När vattnet har tömts ut kan du sätta i stoppet igen.

Larmfunktion för full inbyggd vattentank

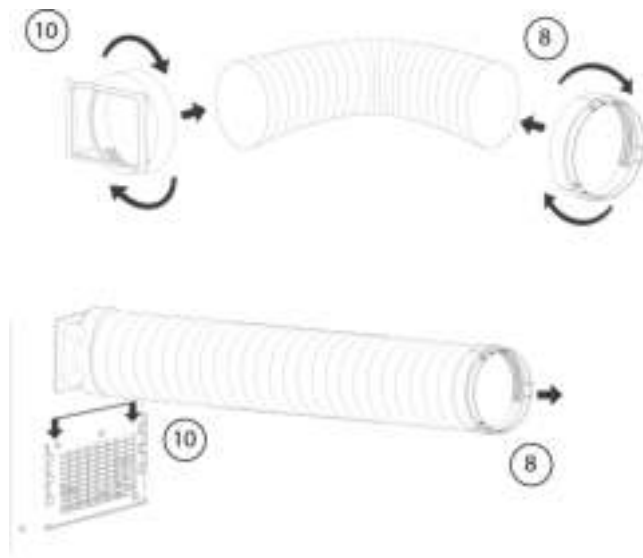
- Den invändiga vattentanken i luftkonditioneringen har en säkerhetsbrytare som reglerar vattennivån. När vattnet når upp till en förväntad höjd tänds indikatorlampan för full behållare. Följ de föregående stegen för att tömma vattnet.

INSTALLATION

- Luftkonditioneringen ska installeras på en plan, stabil yta. Blockera inte luftutloppet och lämna ett avstånd på minst 30 cm runt enheten.
- Kontaktledningarna måste dras enligt lokala elsäkerhetskrav.

Installera utloppsslang

- Skruva in ändarna av utloppsslangen för varmluft (9) i kopplingen mot fönstret (8) och kopplingen mot luftkonditioneringen (10).
- Sätt i luftkonditioneringsändan (10) i öppningen på baksidan av luftkonditioneringen.
- Montera fönsterändan (8) mot närmaste fönster.



Installera universalsats för fönster

- Rengör fönster och fönsterkarm med rengöringsmedel och se till att hela karmen är fri från damm och fett.
- Klipp till kardborretejp enligt fönstrets mått.

- Sätt fast tejpén runt hela fönstret. Obs! Fäst inte tejpén på fönsterglasét.
- Sätt fast duken på kardborretejpén. Börja med den smala delen och arbeta från mitten mot resten av tejpén som sitter på karmen och runt fönstret.
- Det kan vara bra att öppna fönstret när du sätter upp duken. Se till att lämna tillräckligt med utrymme i hörnen så att duken inte fastnar i fönstret.
- Öppna dragkedjan i fönstersatsen ca 50 cm.
- Placera AC-slangen i duköppningen. Stäng sedan dragkedjan runt slangen.



ANVÄNDA ENHETEN MED KLIMATAPPEN



Enheten kan användas manuellt med de inbyggda kontrollerna eller fjärrkontroll, men du kan även styra den med en smarttelefon eller med rösten. Innan du börjar kontrollera du att HomeWizard Climate-appen är nedladdad. HomeWizard Climate-appen är tillgänglig för Android och iOS.

Parkoppla luftavfuktaren med HomeWizard Climate-appen

- Se till att apparaten är strömförsörd.
- Öppna HomeWizard Climate-appen.
- Skapa ett konto eller logga in om du redan har ett HomeWizard-konto.
- Klicka på "Lägg till en ny klimatenhet" för att lägga till en ny enhet.
- Välj den enhet som du vill ansluta.
- Följ anvisningarna i appen för att ansluta enheten.

RENGÖRINGSUNDERHÅLL

- Innan du rengör enheten ska du se till att den har kopplats bort från elnätet.
- Rengör först ytan med ett neutralt rengöringsmedel och en våt trasa och torka sedan av den med en torr trasa.
- Använd inte bensin eller andra kemikalier för att rengöra enheten.
- Rengör inte enheten direkt.

Luftfilter

- Rengör luftfiltret en gång varannan vecka.
- Öppna inloppsgallret och ta bort luftfiltret.
- Rengör luftfiltret med ett neutralt rengöringsmedel i varmt vatten (40 °C) och låt torka (ej i direkt solljus).
- Sätt tillbaka luftfiltret.

FELSÖKNING

Problem	Möjliga orsaker	Förslag på åtgärd
Enheten startar inte när man trycker på strömbrytaren.	<ul style="list-style-type: none"> • Indikatorlampan för full vattentank blinkar och vattentanken är full. • Rumstemperaturen är högre än den inställda temperaturen (uppvärmningsläge). • Rumstemperaturen är lägre än den inställda temperaturen (kylningsläge). 	<ul style="list-style-type: none"> • Töm enhetens vattentank. • Justera temperaturen.

Enheten kyler inte tillräckligt.	<ul style="list-style-type: none"> • Dörrar och fönster har inte stängts. • Det finns värmekällor i rummet. • Utloppsslangen för varmluft är inte ansluten eller är blockerad. • Temperaturinställningen är för hög. • Luftinloppet är blockerat. 	<ul style="list-style-type: none"> • Se till att alla fönster och dörrar är stängda. • Ta bort värmekällorna om möjligt. • Anslut eller rengör utloppsslangen för varmluft. • Återställ temperaturen. • Rengör luftinloppet.
Hög ljudnivå.	<ul style="list-style-type: none"> • Underlaget är inte jämnt/plant nog. • Ljudet kommer från köldmedium som flödar inuti luftkonditioneringen. 	<ul style="list-style-type: none"> • Placera enheten på ett jämnt/plant underlag om möjligt.
E0-kod	<ul style="list-style-type: none"> • Fel på sensor för rumstemperatur. 	<ul style="list-style-type: none"> • Byt sensorn för rumstemperatur.
E1-kod	<ul style="list-style-type: none"> • Fel på temperatursensorns kondensor. 	<ul style="list-style-type: none"> • Byt temperatursensorns kondensor.
E2-kod	<ul style="list-style-type: none"> • Vattenbricka full vid kylning 	<ul style="list-style-type: none"> • Ta av gummiproppen och töm vattnet.

E3-kod	• Fel på sensor för rörtemperatur.	• Byt sensor för rörtemperatur.
E4-kod	• Full vattentank	• Töm vattentanken.

PRODUKTEN ELLER UTRUSTNINGEN INNEHÅLLER FLUORERAD VÄXTHUSGAS.

Art.nr	352900
Kylmedel:	R290
Mängd i kg:	0,212
Risk för global uppvärmning:	3
CO2-motsvarighet i ton:	0,000636
Art.nr	353200
Kylmedel:	R290
Mängd i kg:	0,226
Risk för global uppvärmning:	3
CO2-motsvarighet i ton:	0,000678

FÖRSÄKRAN OM ÖVERENSSTÄMMELSE

- Härmed förklarar Smartwares Europe att typen av radioutrustning 352900/353200 överensstämmer med direktiv 2014/53/EU
- Den fullständiga texten om överensstämmelse med EU:s regler finns tillgängliga på internet: www.princesshome.eu/doc

MILJÖ




Apparaten får inte kasseras i hushållssoporna när den har nått slutet av sin livslängd, utan ska lämnas in till en återvinningscentral för elektriska och elektroniska hushållsapparater. Denna viktiga information indikeras av aktuell symbol på apparaten, i användarhandboken och på förpackningen. De material som används i den här apparaten kan återvinnas. Genom återvinning av begagnade hushållsapparater hjälper du till att skydda miljön. Kontakta kommunen om du vill ha information om återvinningsplatser.

EU-direktivet för batteriet (2006/66/EG) anger att det inte är tillåtet att slänga batterier i hushållsavfallet. De kan innehålla ämnen som är skadliga för miljön. Tomma batterier kan lämnas vid relevant lokal offentlig avfallsuppsamling eller ett lokalt återvinningscentrum. För att

undvika överhettning på grund av kortslutning måste litium-batterier tas ut ur produkten och polerna måste skyddas mot kortslutning med isoleringstejp eller liknande.

BEZPIECZEŃSTWO

- Dokładnie przeczytaj instrukcję użytkownika, aby zapewnić prawidłową eksploatację, konserwację i instalację.
- Producent nie ponosi odpowiedzialności za uszkodzenia w przypadku nieprzestrzegania instrukcji bezpieczeństwa.
- Urządzenie jest przeznaczone wyłącznie do użytku w pomieszczeniach.
- Nie podłączaj urządzenia do gniazdka, które jest uszkodzone lub nieprawidłowo zainstalowane.
- Nie używaj urządzenia:
 - w pobliżu źródła ognia.
 - w miejscu, w którym są możliwe rozbryzgi oleju.
 - w miejscu wystawionym na bezpośrednie światło słoneczne.
 - w miejscu, w którym są możliwe rozbryzgi wody.
 - w pobliżu wanny, prysznicza lub basenu do pływania.
- Nigdy nie wkładaj palców ani żadnych przedmiotów do wylotu powietrza. Zadbaj o to, aby przestrzec dzieci przed takimi zagrożeniami.
- Podczas transportu i przechowywania trzymaj urządzenie pionowo.
- Zawsze wyłączaj urządzenie i odłączaj je od źródła zasilania przed przystąpieniem do czyszczenia.
- Zawsze wyłączaj urządzenie i odłączaj je od źródła zasilania przed przenoszeniem urządzenia.
-  **OSTRZEŻENIE:** Aby uniknąć ryzyka pożaru, nie przykrywaj urządzenia.
- Wszystkie gniazdka urządzenia muszą być zgodne z lokalnymi wymaganiami w zakresie bezpieczeństwa elektrycznego. W razie konieczności należy to sprawdzić.
- W przypadku uszkodzenia kabla zasilania, aby uniknąć zagrożenia, musi on być wymieniony przez producenta, jego agenta serwisowego lub osoby o podobnych kwalifikacjach.
- Z urządzenia mogą korzystać dzieci w wieku od 8 lat oraz osoby o ograniczonych możliwościach fizycznych, sensorycznych i psychicznych bądź nieposiadające odpowiedniej wiedzy i doświadczenia, pod warunkiem, że są nadzorowane lub otrzymały instrukcje dotyczące

bezpiecznego używania urządzenia, a także rozumieją związane z tym zagrożenia.

Dzieciom nie wolno bawić się urządzeniem.

Czyszczenia i konserwacji dozwolonej dla użytkownika nie mogą wykonywać dzieci.

- Urządzenie przeznaczone jest tylko do eksploatacji w gospodarstwie domowym, w sposób zgodny z jego przeznaczeniem.
- Uwagi:
 - W razie uszkodzenia odłącz zasilanie i skontaktuj się ze sprzedawcą lub wyspecjalizowanym serwisem.
 - Kabel zasilający musi być zawsze dobrze uziemiony.
 - Aby uniknąć niebezpieczeństwa, jeśli kabel zasilający ulegnie uszkodzeniu, odłącz zasilanie. Musi on zostać wymieniony przez sprzedawcę lub wyspecjalizowany serwis.

Ostrzeżenie

- Przeprowadzaj wyłącznie zalecane przez producenta procedury odszraniania i czyszczenia. Nie przyspieszaj procedur odszraniania i czyszczenia w żaden sposób.

- Urządzenie należy przechowywać w pomieszczeniu, w którym nie ma stale działających źródeł zapłonu (takich jak otwarty płomień, zapalona kuchenka gazowa, włączony grzejnik elektryczny).
- Nie przekłuwaj ani nie spalaj urządzenia.
- Uwaga: czynniki chłodnicze mogą nie zawierać dodatku zapachowego.
- Urządzenie należy zainstalować, eksploatować i przechowywać w pomieszczeniu o powierzchni większej niż X m². (X=12 dla 9 000 Btu/h; X=15 dla 12 000 Btu/h)
- Aby przeprowadzić naprawę lub konserwację urządzenia, skontaktuj się wyłącznie z autoryzowanym serwisantem.
- Nie ciągnij za kabel zasilający, nie odkształcaj go ani nie modyfikuj, nie zanurzaj go w wodzie. Ciągnięcie za kabel zasilający lub używanie go w niewłaściwy sposób może spowodować uszkodzenie urządzenia i porażenie prądem elektrycznym.
- Należy przestrzegać krajowych przepisów w zakresie postępowania z gazami.
- Otwory wentylacyjne nie mogą być zasłonięte ani zablokowane.

- Prace serwisowe należy wykonywać wyłącznie zgodnie z zaleceniami producenta sprzętu. Konserwację i naprawy, które wymagają uczestnictwa innego przeszkolonego personelu, należy przeprowadzać pod nadzorem osoby kompetentnej (osób kompetentnych) w kwestiach stosowania łatwopalnych czynników chłodniczych.
- Nie wyłączaj urządzenia, wyciągając wtyczkę z kontaktu w trakcie pracy. Może to spowodować porażenie prądem elektrycznym lub pożar w wyniku wytworzenia się ciepła. Wyciągnięcie wtyczki podczas pracy jest dozwolone wyłącznie, jeśli podczas pracy urządzenie zaczyna emitować nietypowe dźwięki, zapachy lub dym.



Informacje szczególne dotyczące urządzeń z gazem chłodniczym R290.

- Uważnie przeczytaj wszystkie ostrzeżenia.
- Podczas rozmrażania i czyszczenia urządzenia nie używaj narzędzi innych niż zalecane przez producenta.
- Urządzenia nie należy przechowywać w pomieszczeniu, w którym znajdują się stale działające źródła zapłonu (takie jak otwarty płomień, zapalona kuchenka gazowa, włączony grzejnik elektryczny).
- Nie przebijaj i nie spalaj urządzenia.
- Urządzenie zawiera Y g (patrz tabliczka znamionowa z tyłu urządzenia) gazu chłodniczego R290.
- R290 to gaz chłodniczy zgodny z dyrektywami europejskimi w zakresie środowiska. Nie przebijaj żadnego elementu układu chłodniczego.
- Jeśli urządzenie jest zainstalowane, użytkowane lub przechowywane w niewentylowanym miejscu, pomieszczenie musi być zbudowane tak, aby zapobiec nagromadzeniu się wyciekającego czynnika chłodniczego. Takie wycieki mogą spowodować pożar lub wybuch w wyniku zapłonu czynnika chłodniczego, wywołanego przez grzejniki elektryczne, kuchenki, piecyki lub inne źródła zapłonu.

- Urządzenie należy przechowywać w taki sposób, aby nie doszło do jego mechanicznego uszkodzenia.
- Osoby, które pracują z układem chłodniczym i go obsługują, muszą mieć odpowiednią licencję wydaną przez akredytowaną organizację. Taka licencja zapewnia, że dana osoba ma kompetencje w zakresie postępowania z czynnikami chłodniczymi zgodnie ze specyficzną oceną uznawaną przez stowarzyszenia branżowe.
- Naprawy muszą być przeprowadzane zgodnie z zaleceniami producenta. Konserwację i naprawy, które wymagają uczestnictwa innego wykwalifikowanego personelu, należy przeprowadzać pod nadzorem osoby wyspecjalizowanej w kwestiach stosowania łatwopalnych czynników chłodniczych.

Baterie

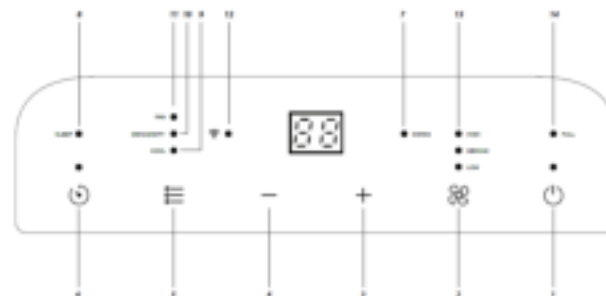
- Nie wystawiaj baterii na działanie wysokich temperatur ani bezpośredniego światła słonecznego. Nigdy nie wrzucaj baterii do ognia. Istnieje niebezpieczeństwo wybuchu!
- Przechowuj baterie w miejscu niedostępnym dla dzieci. Baterie to nie zabawka!
- Nie otwieraj baterii na siłę.
- Unikaj kontaktu z metalowymi przedmiotami (pierścionkami, gwoździami, śrubami itp.). Niebezpieczeństwo zwarcia!
- W efekcie zwarcia baterie mogą się bardzo rozgrzewać, a nawet zapalić, co grozi oparzeniami.
- Ze względu na bezpieczeństwo użytkownika bieguny baterii są na czas transportu zakryte taśmami samoprzylepnymi.
- Nie dotykaj przebitej/cieknącej baterii. Jeśli elektrolit z baterii dostanie się do oczu, przepłucz je jak najszybciej czystą wodą, nie trąc oczu. Natychmiast zgłoś się do szpitala. Jeśli nie zasięgniesz właściwej pomocy, może dojść do urazu oczu.

Czynnik chłodniczy

(CE) N 842/2006: Urządzenie zawiera czynnik chłodniczy R290. Ilość czynnika chłodniczego jest mniejsza niż 1 kg, układ chłodzący jest zamknięty. Czynnik chłodniczy nie wpływa na zubożenie warstwy ozonowej, ale zgodnie z Protokołem z Kioto należy do gazów cieplarnianych, w związku z czym w razie jego uwolnienia do atmosfery może się przyczynić do globalnego ocieplenia. Dlatego napełnianie układu czynnikiem chłodniczym i jego opróżnianie mogą przeprowadzać wyłącznie wyszkoleni technicy z licencją na pracę z czynnikami chłodniczymi. Czynnika chłodniczego w urządzeniu nie trzeba uzupełniać, jeśli jest eksploatowane prawidłowo, a układ chłodniczy nie jest uszkodzony. Współczynnik ocieplenia globalnego: R290: 3

OPIS CZĘŚCI

1. Wlot powietrza	8. Złącze węża (koniec od strony okna)
2. Filtr powietrza	9. Wąż wylotowy gorącego powietrza
3. Panel sterowania	10. Złącze węża (koniec od strony klimatyzatora)
4. Przewód zasilający	11. Uszczelnienie okna + rzep
5. Wylot powietrza	12. Pilot
6. Kółko samonastawne	13. Baterie
7. Otwór odprowadzania skroplin	

FUNKCJE PANELU STEROWANIA

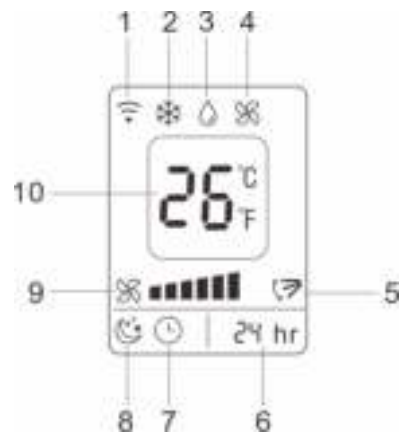
1	Włącznik/wyłącznik	8	Tryb snu
2	Prędkość wentylatora	9	Wskaźnik chłodzenia
3	Zwiększenie temperatury	10	Wskaźnik osuszania
4	Zmniejszenie temperatury	11	Wskaźnik wentylatora
5	Przycisk trybu	12	Wskaźnik Wi-Fi
6	Minutnik wł./wył.	13	Wskaźnik prędkości wentylatora – Wysoka/Średnia/Niska
7	Tryb wahadłowy wł./wył.	14	Wskaźnik pełnego zbiornika wody

PL

PILOT Z WYŚWIETLACZEM LCD



1	Włącznik/wyłącznik
2	Minutnik wł./wył.
3	Tryb
4	Wybór °C / F°
5	Zwiększenie temperatury
6	Zmniejszenie temperatury
7	Wyświetlacz LED
8	Automatyczna praca wahadłowa
9	Prędkość wentylatora
10	Tryb snu



1	Odbiór sygnału
2	Chłodzenie
3	Osuszanie
4	Wentylator
5	Automatyczna praca wahadłowa
6	Ustawienie czasu
7	Minutnik wł./wył.
8	Tryb snu
9	Prędkość wentylatora
10	Wskaźnik temperatury

- Potrzebne są 2 baterie typu AAA.
- Upewnij się, że baterie są włożone we właściwym kierunku.
- Wymieniaj obie baterie jednocześnie, nie tylko jedną z nich.
- Aby sterować wentylatorem, naciskaj odpowiednie przyciski opisane w części dotyczącej panelu sterowania.

PRZED PIERWSZYM UŻYCIEM

Przed wykonaniem czynności opisanych w tej sekcji:

- Znajdź miejsce, w którego pobliżu jest dostępne źródło zasilania.
- Zamontuj wąż wylotowy i dokładnie dopasuj położenie okna.
- Podłącz przewód zasilający do uziemionego gniazda AC 220~240 V/50 Hz
- Naciśnij przycisk zasilania, aby włączyć klimatyzator.
- Sprawdź, czy wąż wylotowy został prawidłowo zamontowany.
- Ustaw zakres temperatur: 16°C-31°C.
- W przypadku korzystania z funkcji chłodzenia i osuszania, poczekaj co najmniej 3 minuty od wyłączenia przed ponownym włączeniem.

UŻYWANIE PRZYCISKÓW NA URZĄDZENIU

Obsługa chłodzenia

- Naciśnij przycisk „Mode” (Tryb), aż pojawi się ikona „Cool” (Chłodzenie).
- Za pomocą przycisków + <Zwiększenie temperatury> i - <Zmniejszenie temperatury> ustaw żądaną temperaturę w pomieszczeniu.
- Poczekaj około 5 minut, aż rozpocznie się chłodzenie.

- Naciśnij przycisk „Fan speed” (prędkość wentylatora), aby ustawić prędkość przepływu powietrza.

Obsługa osuszania

- Naciśnij przycisk „Mode” (Tryb), aż pojawi się ikona „Dehumidify” (osuszanie).
- Temperatura zostanie dobrana automatycznie.
- Prędkość wentylatora zostanie dobrana automatycznie.

Obsługa wentylatora

- Naciśnij przycisk „Mode” (Tryb), aż pojawi się ikona „Fan” (Wentylator).
- Naciśnij przycisk „Fan speed” (prędkość wentylatora), aby ustawić prędkość przepływu powietrza.

Obsługa minutnika

Włączenie minutnika

- Gdy klimatyzator jest wyłączony, naciśnij przycisk „Timer” (minutnik), wybierz żądany czas włączenia i ustaw za pomocą przycisków <Zwiększenie temperatury> i <Zmniejszenie temperatury>.
- Czas włączenia można ustawić dowolnie w zakresie 0-24 godzin.

Wyłączenie minutnika

- Gdy klimatyzator jest włączony, naciśnij przycisk „Timer” (minutnik), wybierz żądany czas wyłączenia i ustaw za pomocą przycisków <Zwiększenie temperatury> i <Zmniejszenie temperatury>.
- Czas wyłączenia można ustawić dowolnie w zakresie 0-24 godzin.

Obsługa pracy wahadłowej (tryb oscylacji)

Instrukcje użytkowania

- Naciśnij ten przycisk, aby uruchomić tryb oscylacji, kratka zacznie się poruszać ciągłym ruchem wahadłowym w górę i w dół.
Ponownie naciśnij ten przycisk, aby zatrzymać działanie funkcji.

Obsługa trybu snu

- W trybie chłodzenia naciśnij przycisk „Sleep” (sen), aby ustawić temperaturę. Ustawiona temperatura zwiększa się o 1 stopień w ciągu godziny, do maksymalnie 2 stopni po 2 godzinach.
- Naciśnij przycisk „Sleep” (sen), aby anulować działanie tej funkcji.

Odprowadzanie skroplin

- Po dłuższym okresie pracy i przed odstawieniem w celu przechowywania trzeba odprowadzić nagromadzoną skroploną wodę. Znajdź odpowiednie miejsce lub podstaw misę/tacę na wodę i wyjmij gumowy korek z otworu odprowadzania skroplin na spodzie urządzenia. Woda zacznie wypływać. Gdy przestanie, włóż korek z powrotem.

Funkcja alarmu o napełnieniu wewnętrznego zbiornika wody

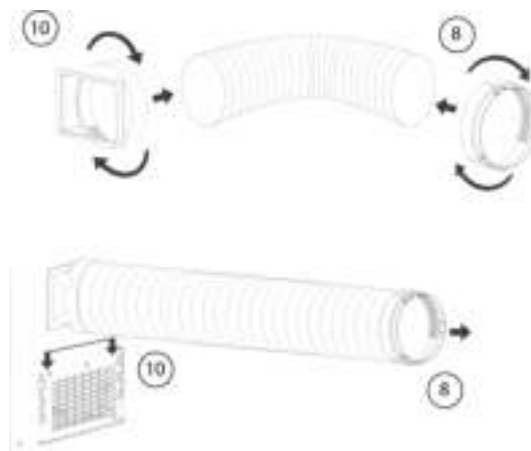
- Wewnętrzny zbiornik wody w klimatyzatorze ma wyłącznik bezpieczeństwa poziomu wody, który kontroluje poziom wody. Gdy woda osiągnie pewną wysokość, zapala się kontrolka napełnienia zbiornika. Wykonaj poprzednie kroki, aby odprowadzić wodę.

MONTAŻ

- Klimatyzator należy zamontować na płaskiej i stabilnej powierzchni. Nie blokuj wylotu powietrza, pozostaw co najmniej 30 cm przestrzeni wokół urządzenia.
- Okablowanie gniazdka musi być zgodne z lokalnymi wymaganiami w zakresie bezpieczeństwa elektrycznego.

Montaż węży wylotowego

- Wkręć oba końce węży wylotowego gorącego powietrza (9) w złącze węży od strony okna (8) i złącze węży od strony klimatyzatora (10).
- Włóż złącze węży od strony klimatyzatora (10) w otwory z tyłu klimatyzatora.
- Przymocuj złącze węży od strony okna (8) do najbliższego parapetu.



Montaż uniwersalnego zestawu okiennego

- Umyj szybę i ramę okna mydłem lub detergentem, upewnij się, że cała rama jest czysta, wolna od pyłu i tłuszczu.
- Przytnij nożyczkami taśmę rzepową na wymiar okna.
- Przylep taśmę rzepową naokoło całego okna. Uwaga: nie przyklejaj rzepu do szyby.
- Przymocuj materiał do taśmy rzepowej. Rozpocznij od wąskiej części, kontynuuj od środka wzdłuż pozostałej taśmy rzepowej przyklejonej do ramy i naokoło okna.
- Na czas przyczepiania materiału warto otworzyć okno. Upewnij się, że pozostawiasz wystarczająco dużo miejsca w rogach, aby uszczelka okna nie uwięzła w oknie.
- Otwórz zamek błyskawiczny zestawu okiennego na około 50 cm.
- Włóż wąż klimatyzatora do otworu w materiale. Następnie zamknij zamek błyskawiczny, aby unieruchomić wąż klimatyzatora.

**UŻYWANIE URZĄDZENIA Z APLIKACJĄ DO STEROWANIA KLIMATEM**

Urządzenie można obsługiwać ręcznie przy użyciu wbudowanych elementów sterowania lub pilota. Można też sterować nim za pomocą smartfonu lub poleceń głosowych. Zanim rozpoczniesz, pobierz aplikację do sterowania klimatem HomeWizard Climate. Aplikacja HomeWizard Climate jest dostępna do urządzeń z systemami Android oraz iOS.

Sparuj urządzenie z aplikacją HomeWizard Climate

- Upewnij się, że urządzenie jest włączone.
- Otwórz aplikację HomeWizard Climate.
- Utwórz konto. Jeśli masz już konto HomeWizard, zaloguj się na nie.
- Kliknij „Dodaj nowe urządzenie klimatyzacyjne”, aby dodać nowe urządzenie.
- Wybierz urządzenie, które chcesz podłączyć.
- Postępuj zgodnie z instrukcjami w aplikacji, aby połączyć ją z urządzeniem.

PL

CZYSZCZENIE I KONSERWACJA

- Przed czyszczeniem odłącz urządzenie od gniazdka.
- Najpierw oczyść powierzchnię neutralnym detergentem i wilgotną szmatką, następnie wytrzyj suchą szmatką.

Instrukcje użytkowania

- Do czyszczenia urządzenia nie używaj benzyny ani innych środków chemicznych.
- Nie myj urządzenia bezpośrednio.

Filtr powietrza

- Filtr powietrza powinno się czyścić co dwa tygodnie.
- Otwórz kratkę wlotu powietrza i wyjmij filtr powietrza.
- Umyj filtr powietrza neutralnym detergentem i letnią wodą o temperaturze 40°C, odłóż do wyschnięcia (nie susz bezpośrednio na słońcu).
- Włóż z powrotem filtr powietrza do kratki wlotowej.

ROZWIĄZYWANIE PROBLEMÓW

Problemy	Możliwe przyczyny	Sugerowane rozwiązania
----------	-------------------	------------------------

Po naciśnięciu przycisku zasilania urządzenie się nie włącza.	<ul style="list-style-type: none">• Miga kontrolka napełnienia zbiornika wody, zbiornik jest całkowicie napełniony.• Temperatura w pomieszczeniu jest wyższa niż ustawiona temperatura (tryb ogrzewania elektrycznego)• Temperatura w pomieszczeniu jest niższa niż ustawiona temperatura (tryb chłodzenia)	<ul style="list-style-type: none">• Odprowadź wodę ze zbiornika.• Ustaw temperaturę.
---	---	---

Urządzenie za słabo chłodzi.	<ul style="list-style-type: none"> • Drzwi lub okna nie są zamknięte. • W pomieszczeniu znajdują się źródła ciepła. • Wąż wylotowy gorącego powietrza nie jest podłączony lub jest zatkany. • Ustawienie temperatury jest za wysokie. • Wlot powietrza jest zatkany. 	<ul style="list-style-type: none"> • Upewnij się, że wszystkie okna i drzwi są zamknięte. • Usuń źródła ciepła, jeśli to możliwe. • Podłącz lub oczyść wąż wylotowy gorącego powietrza. • Ponownie ustaw temperaturę. • Oczyść wlot powietrza.
Urządzenie działa głośno.	<ul style="list-style-type: none"> • Urządzenie stoi na niewypoziomowym lub nierównym podłożu. • Dźwięk pochodzi z przepływu czynnika chłodniczego wewnątrz klimatyzatora. 	<ul style="list-style-type: none"> • Jeśli to możliwe, ustaw urządzenie na płaskim i poziomym podłożu.

Kod E0	<ul style="list-style-type: none"> • Usterka czujnika temperatury w pomieszczeniu. 	<ul style="list-style-type: none"> • Wymień czujnik temperatury w pomieszczeniu.
Kod E1	<ul style="list-style-type: none"> • Usterka czujnika temperatury skraplacza 	<ul style="list-style-type: none"> • Wymień czujnik temperatury skraplacza.
Kod E2	<ul style="list-style-type: none"> • Tacka na wodę zapełnia się podczas chłodzenia 	<ul style="list-style-type: none"> • Wyjmij gumowy korek i odprowadź wodę.
Kod E3	<ul style="list-style-type: none"> • Usterka czujnika temperatury rury. 	<ul style="list-style-type: none"> • Wymień czujnik temperatury rury.
Kod E4	<ul style="list-style-type: none"> • Pełny zbiornik na wodę 	<ul style="list-style-type: none"> • Opróżnij zbiornik na wodę.

PRODUKT LUB SPRZĘT ZAWIERA FLUOROWANY GAZ CIEPLARNIANY.

Nr art.	352900
Czynnik chłodniczy:	R290
Ilość w kg:	0,212
Wpływ na globalne ocieplenie:	3
Równoważnik CO2 w tonach:	0,000636
Nr art.	353200

PL

Instrukcje użytkowania

Czynnik chłodniczy:	R290
Ilość w kg:	0,226
Wpływ na globalne ocieplenie:	3
Równoważnik CO2 w tonach:	0,000678

DEKLARACJA ZGODNOŚCI

- Niniejszym firma Smartwares Europe oświadcza, że urządzenie radiowe typu 352900 / 353200 spełnia wymagania dyrektywy 2014/53/UE
- Pełny tekst deklaracji zgodności UE jest dostępny na stronie internetowej pod następującym adresem: www.princesshome.eu/doc

ŚRODOWISKO




Po zakończeniu eksploatacji urządzenia nie należy wyrzucać go wraz z odpadami domowymi. Urządzenie to powinno zostać zutylizowane w centralnym punkcie recyklingu domowych urządzeń elektrycznych i elektronicznych. Ten symbol znajdujący się na urządzeniu, w instrukcjach użytkowania i na opakowaniu oznacza

ważne kwestie, na które należy zwrócić uwagę. Materiały, z których wytworzono to urządzenie, nadają się do przetworzenia. Recykling zużytych urządzeń gospodarstwa domowego jest znaczącym wkładem użytkownika w ochronę środowiska. Należy skontaktować się z władzami lokalnymi, aby uzyskać informacje dotyczące punktów zbiórki odpadów.

Zgodnie z europejską dyrektywą dotyczącą baterii (2006/66/WE) nie wolno wyrzucać baterii wraz z odpadami komunalnymi. Baterie mogą zawierać substancje szkodliwe dla środowiska. Rozładowane baterie należy oddać w lokalnym publicznym punkcie zbiórki lub w lokalnym centrum recyklingu. Aby uniknąć przegrzewania w wyniku zwarcia, baterie litowe należy wyjąć z produktu i osłonić ich bieguny taśmą izolacyjną lub w inny sposób. To pozwoli uniknąć zwarcia.

BEZPEČNOST

- Pozorně si přečtete tuto uživatelskou příručku, abyste zajistili správné používání, údržbu a instalaci spotřebiče.
- Při ignorování bezpečnostních pokynů nemůže být výrobce odpovědný za případná poškození.
- Spotřebič je určen pouze pro použití ve vnitřních prostorách.
- Nepřipojujte spotřebič k elektrickým zásuvkám, které jsou poškozené nebo nejsou instalovány správným způsobem.
- Jednotku nepoužívejte:
 - v blízkosti zdrojů ohně;
 - na místech, kde hrozí postříkání olejem;
 - na místech vystavených přímému slunečnímu záření;
 - na místech, kde hrozí postříkání vodou;
 - v blízkosti vany, sprchy nebo bazénu.
- Nikdy nestrkejte prsty ani žádný předmět do vzduchového výstupu. Obzvláště upozorněte na tato nebezpečí děti.
- Během přepravy nebo skladování jednotka musí stát.
- Jednotku před čištěním vždy vypněte nebo odpojte od zdroje napájení.
- Jednotku před přemístěním vždy vypněte a odpojte od zdroje napájení.
-  **VAROVÁNÍ:** Aby se předešlo riziku vzniku požáru, jednotku nezakrývejte.
- Všechny přípojovací zásuvky jednotky musí odpovídat místním požadavkům na elektrickou bezpečnost. V případě potřeby proveďte kontrolu.
- Pokud je napájecí kabel poškozen, musí být vyměněn výrobcem, jeho servisním zástupcem nebo podobně kvalifikovanou osobou, aby se předešlo možným rizikům.
- Tento spotřebič mohou děti starší 8 let a lidé se sníženými fyzickými, smyslovými nebo mentálními schopnostmi či nedostatkem zkušeností a znalostí používat, pouze pokud jsou pod dohledem nebo dostali instrukce týkající se bezpečného použití spotřebiče a rozumí možným rizikům. Děti si nesmí hrát se spotřebičem. Čištění a údržba by neměla být prováděna dětmi bez dozoru.
- Tento spotřebič lze použít pouze v domácnosti za účelem, pro který byl vyroben.
- Poznámka:

- Dojde-li k poškození, odpojte napájecí kabel a kontaktujte prodejce nebo autorizovaného opravce.
- Napájecí kabel musí být v každém případě řádně uzemněn.
- Abyste zamezili vzniku nebezpečí, když je napájecí kabel poškozený, odpojte zdroj napájení. V takovém případě jej musí vyměnit prodejce nebo autorizovaný opravce.

Varování

- Používejte pouze výrobcem doporučený postup odmrazování a čištění. Proces odmrazování nebo čištění žádným způsobem neurychlujte.
- Spotřebič se musí skladovat v místnosti bez trvale zapnutých zdrojů vznícení (např. otevřený oheň, zapnutý plynový spotřebič nebo zapnutý elektrický ohřívač).
- Spotřebič nepropichujte ani nevhazujte do ohně.
- Pamatujte, že chladiva mohou být bez zápachu.
- Spotřebič by se měl instalovat, provozovat a skladovat v místnosti s podlahovou plochou větší než X m². (X=12 pro 9 000 Btu/h; X=15 pro 12 000 Btu/h)
- Opravu nebo údržbu jednotky nechte provést pouze u autorizovaného opravce.
- Za napájecí kabel netahejte, nedeformujte ho, neupravujte ho a ani ho neponořujte do vody. Tahání nebo nesprávná manipulace s napájecím kabelem mohou způsobit poškození jednotky a úraz elektrickým proudem.
- Dodržujte vnitrostátní předpisy týkající se používání plynů.
- Větrací otvory ničím nezakrývejte.
- Opravy se musí vždy provádět pouze podle doporučení vydaných výrobcem spotřebiče. Údržba a opravy, které vyžadují asistenci druhé vyškolené osoby, se musí provádět pod dohledem osoby způsobilé k manipulaci s hořlavými chladivy.
- S výjimkou případů, kdy z jednotky vycházejí neobvyklé zvuky, podivný zápach nebo kouř, nevypínejte spuštěnou jednotku odpojením napájecího kabelu. Mohlo by dojít k úrazu elektrickým proudem nebo k požáru v důsledku vzniklého tepla.



Specifické informace o spotřebičích používajících chladivo R 290.

- Pozorně si přečtete všechna varování.
- Když spotřebič odmrazujete a čistíte, nepoužívejte žádné jiné nástroje, než které jsou doporučeny výrobcem.
- Spotřebič se nesmí skladovat v místnosti s trvale zapnutými zdroji vznícení (např. otevřený oheň, zapnutý plynový spotřebič nebo zapnutý elektrický ohřívač).
- Spotřebič nepropichujte ani nevhazujte do ohně.
- Tento spotřebič obsahuje Y gramů (viz štítek na zadní straně jednotky) chladiva R290.
- R290 je chladivo, které vyhovuje nařízením EU o ochraně životního prostředí. Nepropichujte žádnou část okruhu s chladivem.

- Pokud je spotřebič instalován, provozován nebo uskladněn na nevětraném místě, místnost musí být uzpůsobena tak, aby v ní nedocházelo k hromadění uniklého chladiva. To by mohlo způsobit nebezpečí vzniku požáru nebo výbuchu chladiva v důsledku používání elektrických ohřívačů, kamen nebo jiných zdrojů vznícení.
- Spotřebič musí být uskladněn takovým způsobem, aby se předešlo mechanickému poškození.
- Osoby, které provádí práce nebo zásahy na okruhu s chladivem, musí mít platný certifikát vystavený akreditovaným orgánem, který potvrzuje, že jsou kompetentní manipulovat s chladivem podle platných nařízení v odvětví.
- Opravy se musí provádět podle doporučení výrobce. Údržba a opravy, které vyžadují asistenci druhé vyškolené osoby, se musí provádět pod dohledem osoby způsobilé k manipulaci s hořlavými chladivy.

Baterie

- Nevystavujte baterie vysokým teplotám ani přímému slunečnímu světlu. Baterie nikdy nevhazujte do ohně. Hrozí riziko výbuchu!

- Uchovávejte baterie mimo dosah dětí. Baterie nejsou hračka!
- Nepokoušejte se otevírat baterie násilím.
- Zabraňte kontaktu s kovovými předměty (prsteny, hřebíky, šrouby atd.), jinak hrozí nebezpečí zkratu!
- V důsledku zkratu se mohou baterie značně zahřát nebo dokonce vznítit. V takovém případě hrozí nebezpečí popálení.
- Kvůli vaší bezpečnosti jsou póly baterií zakryty během přepravy lepicí páskou.
- Nedotýkejte se prasklé a/nebo vytékající baterie. Pokud se vám kapalina z baterie dostane do očí, co nejdříve si je vypláchněte čistou vodou. Dbejte však na to, abyste si oči nemnuli. Okamžitě vyhledejte lékařskou pomoc. V případě nesprávného ošetření hrozí riziko problémů se zrakem.

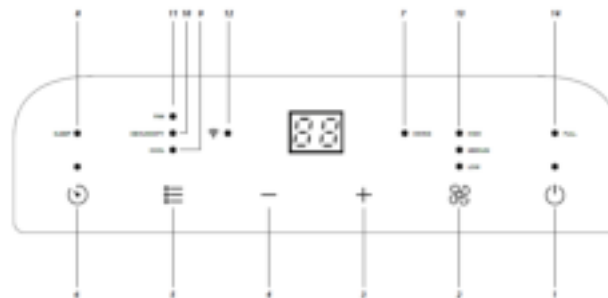
Chladivo

(CE) N 842/2006: Tato jednotka obsahuje chladivo R290. Množství chladiva je menší než 1 kg a koluje v uzavřeném okruhu. Chladivo nemá žádný dopad na ozónovou vrstvu, ale spadá do tzv. skleníkových plynů podle Kjótského protokolu, a proto může přispívat ke globálnímu oteplování, když je uvolněno do ovzduší. Z toho důvodu chladivo mohou plnit nebo vypouštět pouze kvalifikované osoby s příslušnou certifikací. Váš spotřebič nevyžaduje doplňování chladiva, pokud je používán správným způsobem a nemá poškozený chladicí okruh. GWP: R290: 3

POPIS SOUČÁSTÍ

1. Vstup vzduchu	8. Konektor hadice (strana okna)
2. Vzduchový filtr	9. Hadice odvodu horkého vzduchu
3. Ovládací panel	10. Konektor hadice (strana klimatizace)
4. Napájecí kabel	11. Okenní těsnění + suchý zip
5. Výstup vzduchu	12. Dálkový ovladač
6. Rejdrovací kolečko	13. Baterie
7. Vypouštěcí otvor	

FUNKCE OVLÁDACÍHO PANELU

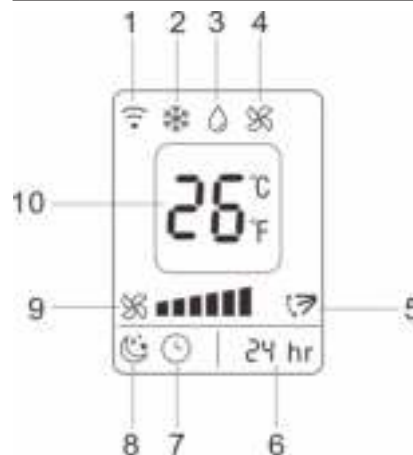


1	Vypínač	8	Noční režim
---	---------	---	-------------

2	Rychlost ventilátoru	9	Indikátor chlazení
3	Zvýšení teploty	10	Indikátor odvlhčování
4	Snížení teploty	11	Indikátor ventilátoru
5	Tlačítko režimu	12	Indikátor funkce Wi-Fi
6	Zapnutí/vypnutí časovače	13	Indikátor vysoké/střední/nízké rychlosti ventilátoru
7	Zapnutí/vypnutí funkce otáčení	14	Indikátor plné vodní nádržky

1	Vypínač
2	Zapnutí/vypnutí časovače
3	Režim
4	Přepínání °C / F°
5	Zvýšení teploty
6	Snížení teploty
7	LED displej
8	Automatické otáčení
9	Rychlost ventilátoru
10	Noční režim

DÁLKOVÝ OVLADAČ S LCD DISPLEJEM



1	Přijem signálu
2	Chlazení
3	Odvlhčování
4	Ventilátor
5	Automatické otáčení
6	Doba časovače
7	Zapnutí/vypnutí časovače
8	Noční režim
9	Rychlost ventilátoru
10	Zobrazení teploty

- Jsou vyžadovány 2 baterie velikosti AAA.
- Baterie je nutné vložit správným směrem.
- Při výměně je nezbytné vyměnit obě baterie zároveň.
- K ovládání ventilátoru použijte příslušná tlačítka podle popisu v části týkající se ovládacího panelu.

PŘED PRVNÍM POUŽITÍM

Před spuštěním spotřebiče:

- Najděte místo s blízkou elektrickou zásuvkou.
- Nainstalujte odvodní hadici a nastavte okno do správné polohy.
- Zástrčku napájecího kabelu zapojte do uzemněné zásuvky (AC 220–240 V / 50 Hz).
- Stisknutím vypínače klimatizaci zapněte.
- Zkontrolujte, zda byla odvodní hadice správně namontována.
- Nastavte rozmezí teploty: 16 °C – 31 °C.

- Když používáte funkci chlazení a odvlhčování, mezi vypnutím a zapnutím počkejte alespoň 3 minuty.

POUŽITÍ TLAČÍTEK NA ZAŘÍZENÍ

Režim chlazení

- Stiskněte tlačítko „Režim“, dokud se nezobrazí ikona „Chlazení“.
- Stisknutím tlačítka + <zvýšení teploty> nebo – <snížení teploty> nastavte požadovanou teplotu v místnosti.
- Za přibližně 5 minut jednotka zahájí chlazení.
- Stisknutím tlačítka „Rychlost ventilátoru“ nastavte rychlost proudění vzduchu.

Režim odvlhčování

- Stiskněte tlačítko „Režim“, dokud se nezobrazí ikona „Odvlhčování“.
- Teplota se nastaví automaticky.
- Rychlost ventilátoru se nastaví automaticky.

Režim ventilátoru

- Stiskněte tlačítko „Režim“, dokud se nezobrazí ikona „Ventilátor“.
- Stisknutím tlačítka „Rychlost ventilátoru“ nastavte rychlost proudění vzduchu.

Režim časovače

Nastavení časovače zapnutí

- Když je klimatizace vypnutá, stiskněte tlačítko „Časovač“ a pomocí tlačítek <zvýšení teploty> a <snížení teploty> nastavte požadovaný čas zapnutí.
 - Čas zapnutí lze nastavit kdykoli v intervalu 0-24 hodin.
- #### Nastavení časovače vypnutí

- Když je klimatizace zapnutá, stiskněte tlačítko „Časovač“ a pomocí tlačítek <zvýšení teploty> a <snížení teploty> nastavte požadovaný čas vypnutí.
- Čas vypnutí lze nastavit kdykoli v intervalu 0-24 hodin.

Režim otáčení (funkce oscilace)

- Stisknutím tohoto tlačítka spustíte funkci oscilace, takže se mřížka bude neustále otáčet nahoru a dolů. Dalším stisknutím tlačítka tuto funkci zastavíte.

Noční režim

- Stisknutím tlačítka „Noční režim“ v režimu chlazení nastavte teplotu. Nastavená teplota se zvýší o 1 stupeň během první hodiny a o další stupeň během druhé hodiny, tedy maximálně o 2 stupně po uplynutí 2 hodin.
- Dalším stisknutím tlačítka „Noční režim“ tuto funkci zrušíte.

Vypouštění vody

- Po delším provozu a před uskladněním bude zapotřebí vypustit vodu, která se v jednotce nahromadila. Připravte si vhodné místo nebo nádobu pro zachycení vody a vytáhněte pryžový uzávěr z vypouštěcího otvoru na spodní straně jednotky. Voda začne vytékat. Jakmile voda vyteče, vložte zpět uzávěr.

Funkce výstrahy plné vnitřní vodní nádržky

- Vodní nádržka uvnitř klimatizace má jeden bezpečnostní hladinový spínač, který kontroluje hladinu vody. Jakmile hladina vody dosáhne předpokládané výšky, rozsvítí se indikátor plné vodní nádržky. Proveďte výše uvedené kroky a vodu vypustte.

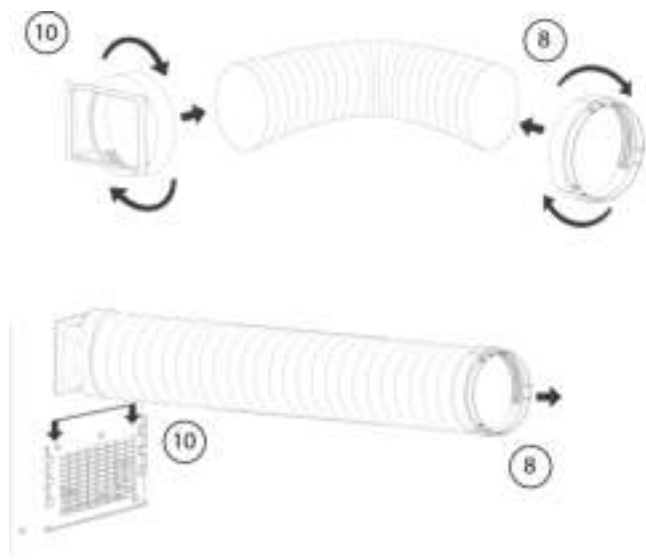
INSTALACE

- Klimatizace se musí instalovat na rovný a stabilní povrch. Neblokujte výstup vzduchu a ponechte alespoň 30 cm místa kolem jednotky.
- Zapojení zásuvky musí odpovídat místním požadavkům na elektrickou bezpečnost.

Instalace odvodní hadice

- Zašroubujte oba konce hadice odvodu horkého vzduchu (9) – jeden do konektoru strany okna (8) a druhý do konektoru strany klimatizace (10).
- Vložte konektor hadice strany klimatizace (10) do otvorů na zadní straně jednotky klimatizace.
- Konektor hadice strany okna (8) upevněte k nejbližší okenní římsě.

Návod k použití



- Upevněte suchý zip okolo celého okna. Poznámka: Nelepte suchý zip na sklo.
- Připevněte k suchému zipu textilii. Začněte u kratší části a postupujte od středu směrem ke zbývající části suchého zipu připevněnému k okennímu rámu a okolo okna.
- Při upevňování textilie může být užitečné otevřít okno. Je nutné ponechat dostatečný prostor v rozích, aby textilie nezůstala přichycena v okně.
- Rozepněte zip okenní sady o přibližně 50 centimetrů.
- Umístěte hadici klimatizace do otvoru v textilii. Poté zip zatahujte, dokud se nebude hadice klimatizace nacházet na příslušném místě.



Instalace univerzální okenní sady

- Vycištěte okno a okenní rám čisticím prostředkem a zajistěte, aby byl celý rám zbaven veškerého prachu a mastnoty.
- Nůžkami nastříhejte suchý zip podle rozměrů okna.

OVLÁDÁNÍ SPOTŘEBIČE POMOCÍ APLIKACE



Spotřebič je možné ovládat ručně pomocí vestavěných ovládacích prvků a dálkového ovladače nebo pomocí smartphonu a hlasového ovládání. Nejprve si musíte stáhnout aplikaci HomeWizard Climate. Aplikace Homewizard Climate je k dispozici pro zařízení Android a iOS.

Spárujte spotřebič s aplikací HomeWizard Climate.

- Ujistěte se, že je spotřebič zapnutý.
- Otevřete aplikaci HomeWizard Climate.
- Vytvořte si účet, nebo pokud již máte účet HomeWizard, přihlaste se pomocí příslušných údajů.
- Klikněte na „Add new Climate Device“ (Přidat nové zařízení Climate) pro přidání nového zařízení.
- Vyberte zařízení, které chcete připojit.
- Připojte spotřebič podle pokynů v aplikaci.

ČIŠTĚNÍ A ÚDRŽBA

- Před čištěním odpojte elektrické napájení jednotky.
- Nejprve očistěte povrch neutrálním čisticím prostředkem a vlhkou utěrkou a potom jednotku utřete suchou utěrkou.
- Nepoužívejte benzín nebo jiné chemikálie k čištění jednotky.
- Jednotku neumývejte přímo.

Vzduchový filtr

- Vzduchový filtr by se měl čistit jednou za dva týdny.
- Otevřete mřížku vstupu vzduchu a vytáhněte vzduchový filtr.
- Vzduchový filtr očistěte neutrálním čisticím prostředkem ve vlažné vodě (40 °C) a nechte jej zcela uschnout (ne na přímém slunci).
- Vložte filtr zpět do vstupní mřížky.

ŘEŠENÍ POTÍŽÍ

Odstraňování problémů	Možné příčiny	Doporučená nápravná opatření
Jednotka se po stisknutí vypínače nezapne.	<ul style="list-style-type: none"> • Bliká indikátor plné vodní nádržky, tzn. že vodní nádržka je plná. • Pokožová teplota je vyšší než nastavená teplota (režim elektrického vytápění). • Pokožová teplota je nižší než nastavená teplota (režim chlazení). 	<ul style="list-style-type: none"> • Vypusťte vodu z vodní nádržky. • Nastavte teplotu.

Jednotka dostatečně nechladí.	<ul style="list-style-type: none"> • Dveře nebo okna nejsou zavřené. • Uvnitř místnosti jsou zdroje tepla. • Hadice odvodu horkého vzduchu není připojena nebo je blokována. • Nastavení teploty je příliš vysoké. • Vstup vzduchu je blokován. 	<ul style="list-style-type: none"> • Ujistěte se, že všechna okna a dveře jsou zavřené. • Odstraňte zdroje tepla, je-li to možné. • Připojte nebo vyčistěte hadici odvodu horkého vzduchu. • Obnovte nastavení teploty. • Vyčistěte vstup vzduchu.
Hluk.	<ul style="list-style-type: none"> • Podklad není rovný nebo dostatečně stabilní. • Zvuk vychází z proudění chladiva uvnitř klimatizace. 	<ul style="list-style-type: none"> • Umístěte jednotku na rovný, stabilní povrch, je-li to možné.
Kód E0	<ul style="list-style-type: none"> • Porucha senzoru pokojové teploty. 	<ul style="list-style-type: none"> • Vyměňte senzor pokojové teploty.
Kód E1	<ul style="list-style-type: none"> • Porucha senzoru teploty kondenzátoru. 	<ul style="list-style-type: none"> • Vyměňte senzor teploty kondenzátoru.

Kód E2	<ul style="list-style-type: none"> • Zásobník na vodu je během chlazení plný. 	<ul style="list-style-type: none"> • Sejměte gumovou zátku a vylijte vodu.
Kód E3	<ul style="list-style-type: none"> • Porucha senzoru teploty potrubí. 	<ul style="list-style-type: none"> • Vyměňte senzor teploty potrubí.
Kód E4	<ul style="list-style-type: none"> • Plná vodní nádržka. 	<ul style="list-style-type: none"> • Vyprázdněte vodní nádržku.

VÝROBEK OBSAHUJE FLUROVANÝ SKLENÍKOVÝ PLYN.

Č. artiklu	352900
Chladivo:	R290
Množství v kg:	0,212
Potenciál globálního oteplování:	3
Ekvivalent CO2 v tunách:	0,000636
Č. artiklu	353200
Chladivo:	R290
Množství v kg:	0,226
Potenciál globálního oteplování:	3
Ekvivalent CO2 v tunách:	0,000678

PROHLÁŠENÍ O SHODĚ

- Společnost Smartwares Europe tímto prohlašuje, že typ rádiového zařízení 352900/353200 splňuje nařízení směrnice 2014/53/EU.
- Úplný text prohlášení o shodě EU je k dispozici na stránce: www.princesshome.eu/doc.

důsledku zkratu, lithiové baterie se musí ze zařízení vyjmout a jejich póly se musí izolovat pomocí izolační pásky nebo jinak chránit před zkratem.


PROSTŘEDÍ



Tento spotřebič by neměl být po ukončení životnosti vyhazován do domovního odpadu, ale musí být odvezen na centrální sběrné místo k recyklaci elektroniky a domácích elektrických spotřebičů. Symbol na spotřebiči, návod k obsluze a obal vás na tento důležitý problém upozorňuje. Materiály použité v tomto spotřebiči jsou recyklovatelné. Recyklací použitých domácích spotřebičů významně přispějete k ochraně životního prostředí. Informace o sběrném místě vám sdělí místní obecní úřad.

Evropská směrnice pro baterie (2006/66/ES) zakazuje vyhazovat baterie spolu s domácím odpadem. Mohou obsahovat látky škodlivé pro životní prostředí. Vybité baterie můžete odevzdat na místní sběrné místo nebo v recyklačním středisku. Aby nedošlo k přehřátí v

BEZPEČNOSŤ

- Prečítajte si pozorne tento návod, aby sa zabezpečilo správne používanie, údržba a inštalácia.
- V prípade ignorovania týchto bezpečnostných pokynov sa výrobca vzdáva akejkoľvek zodpovednosti za vzniknutú škodu.
- Zariadenie je len na vnútorné použitie.
- Nepoužívajte jednotku so zásuvkou, ktorá je poškodená alebo nie je správne nainštalovaná.
- Jednotku nepoužívajte:
 - v blízkosti zdrojov ohňa.
 - v oblasti, kde je pravdepodobnosť rozliatia oleja.
 - v oblasti vystavenej priamemu slnečnému svetlu.
 - v oblasti, kde je pravdepodobné ošpliechanie vodou.
 - v blízkosti kúpeľne, sprchy alebo bazénu.
- Nikdy nedávajte prsty ani iné predmety do vetracích otvorov. Špeciálne dbajte na varovanie detí pred týmito nebezpečenstvami.
- Jednotku držte smerom hore, keď ju prenášate a skladujete.
- Jednotku pred čistením vždy vypnite alebo odpojte napájanie.
- Pred prenášaním jednotky vždy vypnite alebo odpojte napájanie.
-  **VAROVANIE:** Aby ste sa vyhli riziku požiaru, jednotku neprikrývajte.
- Všetky zásuvky jednotky sa musia zhodovať s požiadavkami na elektrickú bezpečnosť. Skontrolujte, ak je to potrebné.
- Ak je napájací kábel poškodený, musí ho vymeniť výrobca, jeho servisný technik alebo podobné kvalifikované osoby, aby sa zamedzilo nebezpečenstvu.
- Toto zariadenie smú používať deti staršie ako 8 rokov a osoby, ktoré majú znížené fyzické, senzorické alebo duševné schopnosti, alebo osoby bez patričných skúseností a znalostí používať, iba pokiaľ na nich dozerá osoba zodpovedná za ich bezpečnosť alebo ak ich táto osoba vopred poučí o bezpečnej obsluhu spotrebiča a príslušných rizikách. Deti sa nesmú hrať so spotrebičom. Čistenie a údržbu nesmú robiť deti bez dozoru.

- Tento spotrebič sa smie používať iba na špecifikované účely v domácom prostredí.
 - Poznámky:
 - V prípade akéhokoľvek poškodenia odpojte napájanie a kontaktujte predajcu alebo určený predajný servis.
 - V každom prípade by mal byť napájací kábel pevne uzemnený.
 - Aby ste sa vyhli prípadnému nebezpečenstvu v prípade poškodeného napájacieho kábla, odpojte napájanie. Musí ich vymeniť predajca alebo určený predajný servis.
- Výstraha**
- Používajte len také postupy odmrazovania a čistenia, ktoré odporúča len výrobca. Neurýchlujte žiadnym spôsobom proces odmrazovania alebo čistenia.
 - Zariadenie by sa malo uskladniť v miestnosti, kde nie sú v nepretržitej prevádzke zápalné zdroje (napríklad: otvorený oheň, prevádzka plynového zariadenia alebo prevádzka elektrického ohrievača).
 - Neprepichute ani nehádzte do ohňa.
 - Majte sa na pozore, pretože chladivá nemajú zápach.
 - Zariadenie by sa malo inštalovať, prevádzkovať a uskladniť v miestnosti s plochou podlahy väčšou ako X m². (X=12 pre 9000 Btu/h; X=15 pre 12000 Btu/h)
 - V prípade opravy alebo údržby tejto jednotky kontaktujte výhradne autorizovaného servisného technika.
 - Nevyťahujte, nedeformujte ani neupravujte napájací kábel, neponárajte ho do vody. Vyťahovanie alebo nesprávne používanie napájacieho kábla môže mať za následok poškodenie jednotky a môže spôsobiť úraz elektrickým prúdom.
 - Mala by sa dodržiavať zhoda s národnými nariadeniami týkajúcimi sa plynu.
 - Zabráňte zablokovaniu vetracích otvorov.
 - Servis by sa mal vykonávať len na odporúčanie výrobcu zariadenia. Údržba a oprava, ktorá vyžaduje asistenciu iného skúseného personálu by sa mala vykonávať za dozoru osoby kompetentnej na používanie horľavých chladív.
 - Jednotku nezastavujte vyťahovaním napájacej zástrčky, kým je v prevádzke, pretože to môže spôsobiť úraz elektrickým prúdom alebo požiar v dôsledku vytvárania

tepla, s výnimkou prípadov, keď je počuť neobvyklé zvuky alebo cítiť neobvyklý zápach alebo sa na jednotke objaví dym.



Špecifické informácie týkajúce sa zariadení s chladiacim plynom R 290.

- Dôkladne si prečítajte všetky varovania.
 - Pri rozmrazovaní a čistení zariadenia nepoužívajte žiadne nástroje, iné ako sú odporúčané výrobnou továrňou.
 - Zariadenie by sa malo uskladniť v miestnosti, kde nie sú v nepretržitej prevádzke zápalné zdroje (napríklad: otvorený oheň, spotrebič na plynový pohon v prevádzke alebo elektrický ohrievač v prevádzke).
 - Neprepichujte ani nehádzte do ohňa.
 - Toto zariadenie obsahuje Y g (pozrite si štítko na zadnej časti jednotky) chladiaci plyn R290.
- R290 je chladiaci plyn, ktorý spĺňa európske smernice týkajúce sa životného prostredia. Neprepichujte žiadnu časť chladiaceho obvodu.
 - Ak je zariadenie nainštalované, prevádzkované alebo uskladnené v nevetranej oblasti, miestnosť musí byť navrhnutá tak, aby sa predchádzalo kumulovaniu presakovania chladiva, ktoré môže mať za následok riziko požiaru alebo explózie v dôsledku vznietenia chladiva, spôsobeného elektrickými ohrievačmi, kachľami alebo inými zdrojmi vznietenia.
 - Zariadenie musí byť uskladnené takým spôsobom, aby sa predišlo mechanickému poškodeniu.
 - Jednotlivci, ktorí prevádzkujú alebo pracujú na chladiacom obvode musia mať vhodný certifikát, vydaný akreditovanou organizáciou, ktorá zabezpečuje kompetenciu pri manipulácii s chladivami podľa špecifického vyhodnotenia asociáciami v priemysle.
 - Opravy sa musia vykonať na základe odporúčaní od výrobnej spoločnosti. Údržba a oprava, ktorá vyžaduje asistenciu iného skúseného personálu by sa mala

vykonávať za dozoru osoby kompetentnej na používanie horľavých chladív. Údržba a opravy, ktoré vyžadujú asistenciu iného kvalifikovaného personálu sa musia vykonať pod dohľadom osoby, špecifikovanej v súvislosti s použitím horľavých chladív.

Batérie

- Nevystavujte batériu vysokým teplotám ani priamemu slnečnému žiareniu. Batérie nikdy nevhadzujte do ohňa. Hrozí riziko výbuchu!
- Batérie uchovávajte mimo dosahu detí. Batérie neslúžia na hranie!
- Batérie neotvárajte násilu.
- Zabráňte ich kontaktu s kovovými predmetmi (prsteňmi, kľúčmi, skrutkami atď.), pretože hrozí riziko skratu!
- V dôsledku skratu sa môžu batérie výrazne zahriať alebo dokonca vzbĺknuť. Tým môžu spôsobiť popáleniny.
- Z bezpečnostných dôvodov sú póly batérií počas prepravy pokryté lepiacimi prúžkami.
- Nedotýkajte sa batérie, ktorá je pretrhnutá alebo z nej uniká kvapalina. Ak sa kvapalina z batérie dostane do očí, čo najskôr si ich vypláchnite čistou vodou bez toho, aby ste si

oči treli rukami. Okamžite potom navštívte nemocnicu. Nedôsledné ošetrenie môže spôsobiť zrakové problémy.

Chladiaca zmes

(CE) N 842/2006: Tento odvlhčovač obsahuje chladivo R290.

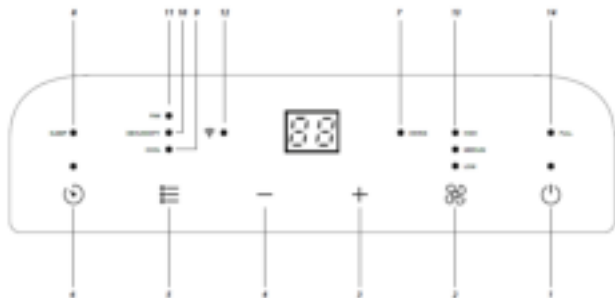
Množstvo chladiva je menšie ako 1 kg a je v uzavretom chladiacom obvode. Chladivo má nulový potenciál uvoľňovania ozónu, ale podľa Kjótskeho protokolu patrí medzi takzvané skleníkové plyny a teda môže prispievať ku globálnemu otepľovaniu, ak sa uvoľní do atmosféry. Preto plnenie a vyprázdňovanie môžu vykonávať len školení technici s certifikátom týkajúcim sa chladiarenských zariadení. Vaše zariadenie sa nemusí plniť chladivom, ak sa správne používa a ak nemá poškodenú chladiacu jednotku. GWP: R290: 3

POPIS DIELOV

1. Prívod vzduchu	8. Konektor hadice (koniec v smere od okna)
2. Vzduchový filter	9. Hadica výstupu horúceho vzduchu
3. Ovládací panel	10. Konektor hadice (koniec v smere od klimatizácie)
4. Napájací kábel	11. Tesnenie okna + suchý zips
5. Výstup vzduchu	12. Diaľkové ovládanie
6. Závlek	13. Batérie
7. Vypúšťací otvor	

SK

FUNKCIA OVLÁDACIEHO PANELA

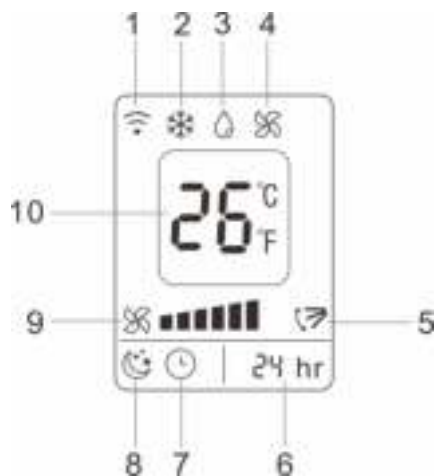


1	Hlavný vypínač	8	Režim spánku
2	Rýchlosť ventilátora	9	Indikátor chladenia
3	Zvýšenie teploty	10	Indikátor odvlhčovania
4	Zníženie teploty	11	Indikátor ventilátora
5	Tlačidlo režimu	12	Indikátor Wi-Fi
6	Vypínač časovača	13	Indikátor vysokej/strednej/nízkej rýchlosti ventilátora
7	Vypínač otáčania	14	Indikátor maximálneho množstva vody

DIALKOVÉ OVLÁDANIE S LCD DISPLEJOM



1	Hlavný vypínač
2	Vypínač časovača
3	Režim
4	Výber °C/°F
5	Zvýšenie teploty
6	Zníženie teploty
7	LED displej
8	Automatické otáčanie
9	Rýchlosť ventilátora
10	Režim spánku



1	Príjem signálu
2	Chladienie
3	Odvlhčovanie
4	Ventilátor
5	Automatické otáčanie
6	Načasovanie
7	Vypínač časovača
8	Režim spánku
9	Rýchlosť ventilátora
10	Zobrazenie teploty

- Vyžadujú sa 2 batérie typu AAA.
- Dbajte na to, aby ste batérie vložili v správnom smere.
- Počas výmeny vždy meňte naraz všetky batérie.
- Na spustenie ventilátora stlačte príslušné tlačidlá podľa vysvetlenia na ovládacom paneli.

PRED PRVÝM POUŽITÍM

Pred začatím činnosti v tejto sekcii:

- Nájdite miesto, kde je v blízkosti napájanie.
- Nainštalujte výstupnú hadicu a nastavte dobre pozíciu okna.
- Vložte napájací kábel do uzemnenej zásuvky AC 220~240 V/50 Hz.
- Stlačte hlavný spínač, čím sa klimatizácia zapne.
- Skontrolujte, či je výfuková hadica namontovaná správne.
- Nastavte rozsah teploty: 16 °C – 31 °C.
- Keď používate funkcie na chladienie a odvlhčovanie, ponechajte medzi vypnutím a zapnutím aspoň 3-minútový priestor.

POUŽITIE TLAČIDIEL NA ZARIADENÍ

Chladienie

- Stlačte tlačidlo „Mode“ (Režim), kým sa neobjaví ikona "Cool" (Chladiť).
- Stlačením tlačidla + <Zvýšenie teploty> alebo - <Zníženie teploty> zvolíte požadovanú izbovú teplotu.
- Nechajte približne 5 minút pre spustenie chladienia.
- Stlačením tlačidla „Fan speed“ (Rýchlosť ventilátora) nastavíte prietok vzduchu.

Odvlhčovanie

- Stlačte tlačidlo „Mode“ (Režim), kým sa nezobrazí ikona „Odvlhčovač“.
- Teplota sa zvolí automaticky.
- Rýchlosť ventilátora sa zvolí automaticky.

Ventilácia

- Stlačte tlačidlo „Mode“ (Režim), kým sa nezobrazí ikona „Ventilátor“.
- Stlačením tlačidla „Fan speed“ (Rýchlosť ventilátora) nastavíte prietok vzduchu.

Použitie časovača

Nastavenie zapnutia časovača

- Keď je klimatizácia vypnutá, stlačte tlačidlo „Timer“ (Časovač), zvolte požadovaný čas zapnutia a pomocou tlačidla <Zvýšenie teploty> alebo <Zníženie teploty> upravte hodnotu.
- ZAP času je možné nastaviť kedykoľvek v rozsahu 0-24 hodín.

Nastavenie vypnutia časovača

- Keď je klimatizácia zapnutá, stlačte tlačidlo „Timer“ (Časovač), zvolte požadovaný čas vypnutia a pomocou tlačidla <Zvýšenie teploty> alebo <Zníženie teploty> upravte hodnotu.
- VYP času je možné nastaviť kedykoľvek v rozsahu 0-24 hodín.

Otáčanie (režim oscilácie)

- Po stlačení tohto tlačidla spustíte režim oscilácie bude mriežka súvisle oscilovať v smere nahor a nadol. Opätovným stlačením tohto tlačidla osciláciu zastavíte.

Spánok

- V režime chladenia nastavte teplotu opätovným stlačením tlačidla „Sleep“ (Spánok). Nastavená teplota sa v priebehu jednej hodiny zvýši o 1 stupeň, pričom maximum sú 2 stupne po 2 hodinách.

- Stlačením tlačidla „Sleep“ (Spánok) túto prevádzku zrušíte.

Vypúšťanie

- Po predĺženej prevádzke pred uskladnením bude potrebné vypustiť vodu, ktorá sa nazbierala. Pripravte vhodné miesto alebo nádobu na zbieranie vody a odstráňte gumovú zátku z vypúšťacieho otvoru v spodnej časti jednotky. Voda potom začne vytekať. Potom, ako sa toto zastaví, môžete založiť vypúšťaciu zátku.

Funkcia alarmu plnej vnútornej nádrže na vodu

- Vnútorná nádrž na vodu v klimatizácii má bezpečnostný spínač jednej hladiny vody, ktorý ovláda hladinu vody. Keď hladina vody dosiahne očakávanú výšku, indikátor naplnenia vodou sa rozsvieti. Pri vypúšťaní vody postupujte podľa predchádzajúcich krokov.

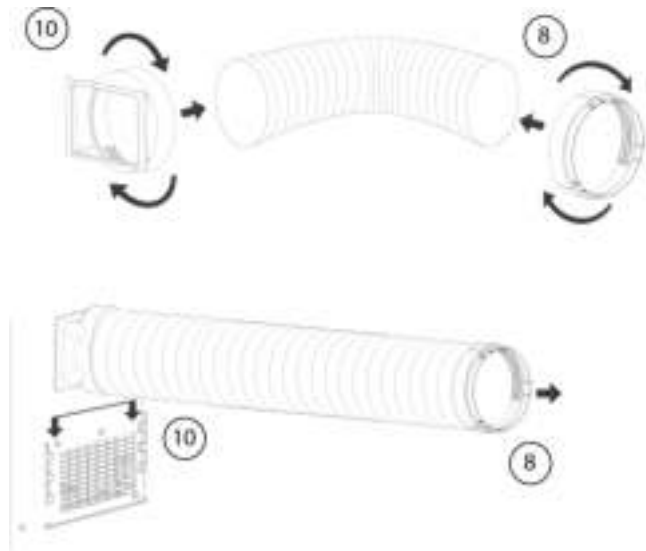
INŠTALÁCIA

- Klimatizácia by mala byť nainštalovaná na rovnom a stabilnom povrchu. Neblokujte vývod vzduchu a ponechajte aspoň 30 cm priestor v okolí jednotky.
- Vodiče zásuvky by mali byť v súlade s miestnymi elektrickými bezpečnostnými požiadavkami.

Inštalácia výstupnej hadice

- Ohnite konce hadice výstupu horúceho vzduchu (9) do konektora hadice s oknom (8) a konca s konektorom hadice klimatizácie (10).
- Vložte konektor hadice na konci klimatizácie (10) do otvorov v zadnej časti klimatizácie.

- Pripevnite konektor hadice na konci s oknom (8) k najbližšiemu oknu.



Inštalácia univerzálnej súpravy na okná

- Okno a okenný rám vyčistite mydlovým roztokom alebo iným čistiacim prostriedkom a overte, či sa na okennom ráme nenachádza prach ani masnota.
- Nožnicami odstrihnete požadovanú dĺžku pásky so suchým zipsom.
- Prilepte pásku so suchým zipsom po celom obvode okna. Nelepte ju na sklo.
- Pripojte tkaninu k páske so suchým zipsom. Začnite úzkou časťou a pokračujte od stredu smerom k zvyšnej časti pásky so suchým zipsom, ktorý je prilepená k okennému rámu a okolo okna.
- Počas pripájania tkaniny môže byť užitočné otvoriť okno. Dbajte na vytvorenie dostatočného priestoru v rohoch, aby sa tkanina nezasekla v okne.
- Otvorte zips súpravy na okná (približne 50 cm).
- Do otvoru v tkanine umiestnite hadicu klimatizačnej jednotky. Potom zatiahnite zips a mierne upravte polohu hadice.



POUŽITIE ZARIADENIA S APLIKÁCIOU CLIMATE



Zariadenie je možné použiť manuálne so zabudovanými ovládacími prvkami, diaľkovým ovládaním alebo s pomocou smartfónu či hlasových pokynov. Kým začnete, zabezpečte prevzatie aplikácie HomeWizard Climate. Aplikácia HomeWizard Climate je dostupná pre Android a iOS.

Spárujte svoje zariadenie s aplikáciou HomeWizard Climate

- Uistite sa, že zariadenie je napájané.
- Otvorte aplikáciu HomeWizard Climate.
- Vytvorte si účet alebo ak už máte účet HomeWizard, prihláste sa do neho pomocou týchto údajov.
- Kliknite na "Pridať nové zariadenie klimatizácie" pre pridanie nového zariadenia.
- Zvoľte zariadenie, ktoré chcete pripojiť.
- Zariadenie pripojte podľa pokynov v aplikácii.

ČISTENIE A ÚDRŽBA

- Pred čistením odpojte jednotku od akéhokoľvek elektrického napájania.
- Najprv vyčistite povrch neutrálnym saponátom a vlhkou utierkou a potom utrite suchou utierkou.
- Na čistenie jednotky nepoužívajte gazolín alebo iné chemikálie.
- Jednotku priamo neumývajte.

Vzduchový filter

- Vzduchový filter by sa mal čistiť raz každé dva týždne.
- Otvorte mriežku prívodu vzduchu a vyberte vzduchový filter.
- Vyčistite vzduchový filter neutrálnym čistiacim prostriedkom vo vlažnej vode s teplotou 40 °C a nechajte ho vyschnúť (nie na priamom slnečnom svetle).
- Znova nainštalujte vzduchový filter do prírodnej mriežky.

RIEŠENIE PROBLÉMOV

Problémy	Možné príčiny	Navrhovaná náprava
Jednotka sa nespustí, keď stlačíte tlačidlo napájania.	<ul style="list-style-type: none">• Indikátor naplnenia vodou bliká a nádoba na vodu je plná.• Teplota v miestnosti je vyššia ako nastavená teplota. (Režim elektrického ohrevu)• Teplota v miestnosti je nižšia, ako nastavená teplota. (Režim chladenia)	<ul style="list-style-type: none">• Vodu vypustíte z nádoby na vodu.• Nastavte teplotu.

Jednotka nechladí dostatočne.	<ul style="list-style-type: none"> • Dvierka alebo okná nie sú zavreté. • Vnútri miestnosti sú zdroje tepla. • Hadica výstupu horúceho vzduchu nie je pripojená alebo je zablokovaná. • Nastavenia teploty sú príliš vysoké. • Prívod vzduchu je zablokovaný. 	<ul style="list-style-type: none"> • Ubezpečte sa, že sú všetky okná a dvere zavreté. • Odstráňte zdroje tepla, ak je to možné. • Pripojte alebo vyčistite hadicu výstupu horúceho vzduchu. • Resetujte teplotu. • Vyčistite prívod vzduchu.
Hlučné.	<ul style="list-style-type: none"> • Podlaha nie je vyrovnaná alebo nie je dostatočne plochá. • Zvuk vydáva prítok chladiva vnútri klimatizácie. 	<ul style="list-style-type: none"> • Jednotku dajte na plochý, rovný povrch, ak je to možné.
Kód E0	<ul style="list-style-type: none"> • Senzor izbovej teploty zlyhal. 	<ul style="list-style-type: none"> • Vymeňte senzor izbovej teploty.
Kód E1	<ul style="list-style-type: none"> • Porucha senzora teploty kondenzátora 	<ul style="list-style-type: none"> • Vymeňte senzor teploty kondenzátora.

Kód E2	<ul style="list-style-type: none"> • Nádoba na zbieranie vody pri chladení 	<ul style="list-style-type: none"> • Vyberte gumenú záračku a vylejte vodu.
Kód E3	<ul style="list-style-type: none"> • Porucha senzora teploty potrubia 	<ul style="list-style-type: none"> • Vymeňte senzor teploty potrubia.
Kód E4	<ul style="list-style-type: none"> • Nádrž na vodu je plná 	<ul style="list-style-type: none"> • Vyprázdnite nádrž na vodu.

PRODUKT ALEBO ZARIADENIE OBSAHUJE FLUÓROVANÉ SKLENÍKOVÉ PLYNY.

Č. položky	352900
Chladivo:	R290
Množstvo v kg:	0,212
Potenciál globálneho otepľovania:	3
Ekvivalent v CO ₂ v tonách:	0,000636
Č. položky	353200
Chladivo:	R290
Množstvo v kg:	0,226
Potenciál globálneho otepľovania:	3
Ekvivalent v CO ₂ v tonách:	0,000678

VYHLÁSENIE O ZHODE

- Týmto spoločnosť Smartwares Europe prehlasuje, že rádiové zariadenie typu 352900/353200 je v súlade so smernicou 2014/53/EÚ
- Plné znenie EU prehlásenia o zhode je dostupné na internetovej adrese: www.princesshome.eu/doc


PROSTREDIE



Toto zariadenie by sa nemalo dávať do domového odpadu po skončení životnosti, musí sa odovzdať v recyklačnom centre, kde sa recyklujú elektrické a elektronické domáce zariadenia. Tento symbol na spotrebiči, v návode na obsluhu a na obale upozorňuje na túto dôležitú skutočnosť. Materiály použité v tomto spotrebiči je možné recyklovať. Recykláciou použitých domácich spotrebičov výraznou mierou prispievate k ochrane životného prostredia. Informácie o zberných miestach vám poskytnú miestne úrady.

Európska smernica pre batérie (2006/66/EC) hovorí, že ie je povolené zahadzovať batérie spolu s domovým odpadom. Môžu obsahovať látky, ktoré sú škodlivé pre životné prostredie. Vybité batérie môžete odovzdať na miestnych, verejných zberných miestach alebo v miestnom recyklačnom stredisku. Ak sa chcete vyhnúť prehriatiu v dôsledku skratu, lítiové batérie sa musia z produktu vybrať a póly sa musia chrániť pred skratom pomocou izolačnej pásky alebo nejakým iným spôsobom.

МЕРЫ ПРЕДОСТОРОЖНОСТИ

- Внимательно прочитайте это руководство пользователя для надлежащей установки, эксплуатации и технического обслуживания устройства.
- Производитель не несет ответственности за ущерб в случае несоблюдения правил техники безопасности.
- Устройство предназначено для использования только в закрытых помещениях.
- Не подключайте устройство к неисправной или неправильно установленной сетевой розетке.
- Не используйте устройство в следующих условиях:
 - возле источника огня;
 - в месте, где может проливаться или разбрызгиваться масло;
 - в месте, где на него будут попадать прямые солнечные лучи;
 - в месте, где может проливаться или разбрызгиваться вода;
 - вблизи ванны, душевой кабины или бассейна.
- Не помещайте пальцы и посторонние предметы в отверстие для выпуска воздуха. Обязательно предупредите детей о возможных опасностях.
- Хранить и перевозить устройство следует в вертикальном положении.
- Перед очисткой устройства обязательно выключите его или отсоедините от сети электропитания.
- Перед перемещением устройства обязательно выключите его и отсоедините от сети электропитания.
-  **ПРЕДУПРЕЖДЕНИЕ!** Не накрывайте устройство во избежание его возгорания.
- Сетевые розетки, к которым подключается устройство, должны соответствовать местным требованиям электробезопасности. При необходимости проведите проверку.
- Во избежание опасных ситуаций для замены поврежденного кабеля питания рекомендуется обратиться к производителю, его сервисному агенту или другим достаточно квалифицированным специалистам.

-
- Данное устройство может использоваться детьми в возрасте от 8 лет, людьми с ограниченными физическими, сенсорными и умственными способностями или людьми, не имеющими соответствующего опыта и знаний, только при условии, что за их действиями осуществляется надлежащий контроль или они знакомы с техникой безопасной эксплуатации устройства, а также понимают связанные с этим риски. Не позволяйте детям играть с устройством. Очистка и обслуживание устройства могут выполняться детьми только под присмотром взрослых.
 - Данное устройство предназначено только для использования в бытовых условиях и только по назначению.
 - Примечания.
 - В случае повреждения устройства отсоедините его от сети электропитания и обратитесь к дилеру или в сервисную службу.
 - Шнур питания должен быть надежно заземлен.
 - Во избежание опасных ситуаций поврежденный кабель питания следует отсоединять от сети электропитания. Его замена должна производиться дилером или сервисной службой.
- Предупреждение**
- Следуйте процедуре размораживания и очистки, рекомендованной производителем. Не пытайтесь ускорить процесс размораживания или очистки.
 - Устройство должно храниться в помещении, в котором нет постоянных потенциальных источников возгорания (например, источника открытого пламени, работающего газового прибора или электрообогревателя).
 - Не протыкайте и не поджигайте устройство.
 - Учтите, что в хладагенте может не быть ароматизаторов.
 - Устройство следует устанавливать, эксплуатировать и хранить в помещении площадью не менее 12 кв. м для устройств мощностью 9000 БТЕ/ч, 15 кв. м для устройств мощностью 12 000 БТЕ/ч.

- Если устройство требует ремонта или технического обслуживания, обращайтесь только к уполномоченному техническому специалисту.
- Не тяните шнур питания, не деформируйте, не модифицируйте его и не погружайте его в воду. Ненадлежащее использование шнура питания может привести к повреждению устройства и поражению электрическим током.
- Должны соблюдаться государственные нормативы обращения с газами.
- Не перекрывайте вентиляционные отверстия.
- Обслуживание должно проводиться строго в соответствии с рекомендациями изготовителя оборудования. Техническое обслуживание и ремонт, требующие участия других квалифицированных специалистов, должны проводиться под руководством лиц, имеющих право работы с огнеопасными хладагентами.
- Не выключайте работающее устройство, вытаскивая штепсельную вилку из сетевой розетки, так как это может привести к поражению электрическим током или возгоранию вследствие

тепловыделения. Делать это можно только при появлении необычных звуков, запахов или дыма из устройства.



Информация, касающаяся приборов, в которых применяется газообразный хладагент R 290.

- Внимательно прочитайте все предупреждения.
- При размораживании и очистке устройства разрешается использовать только те инструменты, которые рекомендованы компанией-изготовителем.
- Устройство нельзя хранить в помещении, в котором есть постоянные потенциальные источники возгорания (например, источник открытого пламени, работающий газовый прибор или электрообогреватель).
- Не протыкайте и не поджигайте устройство.

- Устройство содержит газообразный хладагент R290 (количество см. на паспортной табличке на задней стороне устройства).
- R290 — это газообразный хладагент, соответствующий Европейским директивам по охране окружающей среды. Избегайте разгерметизации контура циркуляции хладагента.
- Если устройство установлено, эксплуатируется или хранится в невентилируемом помещении, необходимо предусмотреть защиту, которая не дала бы скапливаться вытекшему хладагенту, поскольку это может привести к пожару или взрыву вследствие возгорания хладагента от электрообогревателей, печей или других источников тепла.
- Устройство следует хранить так, чтобы не возникало механических поломок.
- Любое лицо, проводящее работы с контуром циркуляции хладагента, должно иметь соответствующий сертификат, выданный аккредитованной организацией

и подтверждающий умение обращения с хладагентами в соответствии с принятыми в отрасли нормами.

- Ремонтные работы должны проводиться в соответствии с рекомендациями компании-изготовителя. Техническое обслуживание и ремонт, требующие участия других квалифицированных специалистов, должны проводиться под руководством лица, имеющего право работы с огнеопасными хладагентами.

Батареи

- Не подвергайте батареи воздействию высоких температур или солнечного света. Запрещается бросать батареи в огонь. Это может привести к взрыву.
- Храните батареи в недоступном для детей месте. Батареи не игрушка.
- Не вскрывайте батарею силой.
- Избегайте контакта батарей с металлическими объектами (кольцами, гвоздями, винтами и т. д.), так как это может привести к короткому замыканию.
- При коротком замыкании батареи могут значительно нагреться или загореться, что может привести к ожогам.

- В целях безопасности полюса батарей заклеены при перевозке.
- Не прикасайтесь к поврежденным или протекающим батареям. При попадании жидкости из батарей в глаза промойте глаза проточной водой, не растирая их. Немедленно обратитесь к врачу. Без правильного лечения контакт с батарейной жидкостью может привести к травме глаз.

Хладагент

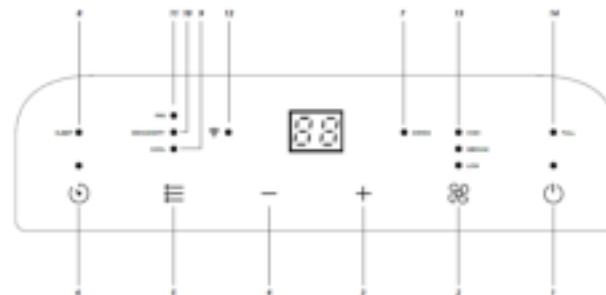
(CE) N 842/2006: Это устройство содержит хладагент R290. Количество хладагента составляет менее 1 кг, и он находится в замкнутом контуре. Данный хладагент обладает нулевой озоноразрушающей способностью, но является так называемым парниковым газом согласно Киотскому протоколу и поэтому может способствовать глобальному потеплению при утечке в атмосферу. Поэтому заполнять или опорожнять систему могут только обученные специалисты с допуском к работе с хладагентами. Если устройство используется надлежащим образом и его контур охлаждения не поврежден, повторно заполнять его хладагентом не требуется. Потенциал глобального потепления R290: 3

ОПИСАНИЕ КОМПОНЕНТОВ

1. Воздухозаборное отверстие	8. Соединитель шланга (для окна)
------------------------------	----------------------------------

2. Воздушный фильтр	9. Шланг для отвода нагретого воздуха
3. Панель управления	10. Соединитель шланга (для кондиционера)
4. Сетевой шнур	11. Прокладка для окна с текстильной застежкой
5. Отверстие для выпуска воздуха	12. Пульт ДУ
6. Колеса	13. Батареи
7. Сливное отверстие	

ЭЛЕМЕНТЫ ПАНЕЛИ УПРАВЛЕНИЯ



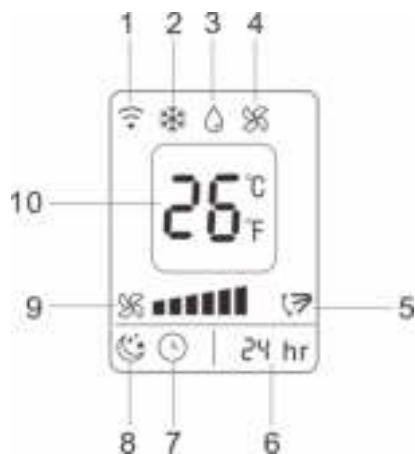
RU

1	Включение и выключение питания	8	Спящий режим
2	Скорость вентилятора	9	Индикатор охлаждения
3	Повышение температуры	10	Индикатор осушения
4	Снижение температуры	11	Индикатор вентилятора
5	Кнопка выбора режима	12	Индикатор подключения к Wi-Fi
6	Включение и отключение таймера	13	Индикатор скорости вентилятора (высокая/средняя/низкая)
7	Включение и отключение поворота	14	Индикатор заполнения водой

ПУЛЬТ ДУ С ЖК-ДИСПЛЕЕМ



1	Включение и выключение питания
2	Включение и отключение таймера
3	Режим
4	Выбор системы измерения (°C или °F)
5	Повышение температуры
6	Снижение температуры
7	Светодиодный дисплей
8	Автоматический поворот
9	Скорость вентилятора
10	Спящий режим



1	Получение сигнала
2	Охлаждение
3	Осушение
4	Вентилятор
5	Автоматический поворот
6	Время
7	Включение и отключение таймера
8	Спящий режим
9	Скорость вентилятора
10	Дисплей, отображающий температуру

- Требуются 2 батареи размера AAA.
- Вставляйте батареи в правильном положении.
- Заменяйте обе батареи одновременно.
- Кнопки на пульте ДУ и их функции аналогичны кнопкам на панели управления.

ПЕРЕД НАЧАЛОМ ИСПОЛЬЗОВАНИЯ

Перед выполнением действий, описанных в этом разделе:

- Подберите место рядом с источником питания.
- Установите шланг для отвода воздуха и отрегулируйте положение окна.
- Вставьте вилку шнура питания в заземленную розетку (220–240 В перем. тока, 50 Гц).
- Включите кондиционер, нажав кнопку питания.
- Проверьте правильность монтажа шланга для отвода воздуха.
- Установите температурный диапазон: 16–31 °С.
- При использовании функций охлаждения и осушения перед повторным включением устройства подождите по крайней мере 3 минуты.

ИСПОЛЬЗОВАНИЕ КНОПОК УСТРОЙСТВА

Режим охлаждения

- Нажимайте кнопку выбора режима, пока не появится значок Cool (Охлаждение).
- Для выбора нужной температуры в помещении нажимайте кнопки повышения или снижения температуры.
- Охлаждение должно начаться примерно через 5 минут.

- Чтобы отрегулировать поток воздуха, нажмите кнопку выбора скорости вентилятора.

Режим осушения

- Нажимайте кнопку выбора режима, пока не отобразится значок Dehumidify (Осушение).
- Температура будет выбрана автоматически.
- Скорость вентилятора будет выбрана автоматически.

Режим вентилятора

- Нажимайте кнопку выбора режима, пока не появится значок Fan (Вентилятор).
- Чтобы отрегулировать поток воздуха, нажмите кнопку выбора скорости вентилятора.

Использование таймера

Установка времени включения

- Когда кондиционер выключен, нажмите кнопку таймера и выберите нужное время включения с помощью кнопок регулировки температуры.
- Время включения можно задать в диапазоне от 0 до 24 часов.

Установка времени выключения

- Когда кондиционер включен, нажмите кнопку таймера и выберите нужное время выключения с помощью кнопок регулировки температуры.
- Время выключения можно задать в диапазоне от 0 до 24 часов.

Функция поворота (режим колебания)

- Нажмите эту кнопку, чтобы запустить режим поворота. Заслонка начнет непрерывно подниматься и опускаться. Чтобы прекратить поворот, нажмите кнопку еще раз.

Спящий режим

- В режиме охлаждения нажмите кнопку спящего режима, чтобы настроить температуру. Установленная температура будет повышена на один градус в течение часа. Максимальное повышение: на два градуса после двух часов.
- Нажмите кнопку спящего режима, чтобы выйти из режима.

Удаление конденсата

- После длительной работы и перед хранением необходимо слить накопившийся конденсат. Подготовьте соответствующее место или поддон для сбора воды и извлеките резиновую пробку из сливного отверстия внизу устройства. Вода начнет сливаться. По завершении вставьте пробку на место.

Сигнализация о заполнении встроенного бака для воды

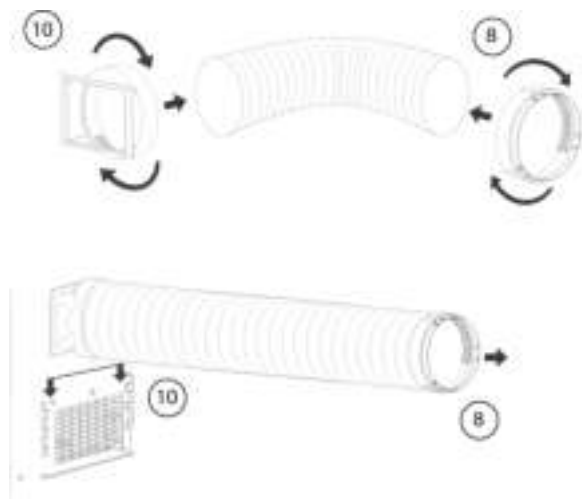
- Бак для воды внутри кондиционера оснащен предохранительным реле, контролирующим уровень воды. При достижении максимального уровня загорается индикатор заполнения бака. Слейте воду согласно приведенным ранее инструкциям.

УСТАНОВКА

- Кондиционер должен устанавливаться на ровной, устойчивой поверхности. Не перекрывайте отверстие для выпуска воздуха. Вокруг устройства должно быть не менее 30 см свободного пространства.
- Монтаж сетевых розеток должен соответствовать местным требованиям электробезопасности.

Установка шланга для отвода воздуха

- Вставьте один конец шланга для отвода нагретого воздуха (9) в соединитель для окна (8), а другой — в соединитель для кондиционера (10).
- Вставьте соединитель для кондиционера (10) в пазы на задней панели устройства.
- Разместите соединитель для окна (8) в ближайшем оконном проеме.



Установка универсальной оконной заглушки

- Помойте окно и оконную раму с мылом или другим моющим средством. Удалите пыль и жир со всей поверхности рамы.
- Отрежьте ножницами текстильную застежку по длине периметра окна.
- Прикрепите текстильную застежку по периметру всего окна. Примечание: не крепите текстильную застежку к стеклу.
- Прикрепите ткань к текстильной застежке. Начните с узкого участка и продвигайтесь от центра до конца текстильной застежки, прикрепленной к оконной раме и вокруг окна.
- Прикреплять ткань может быть удобнее с открытым окном. Оставьте достаточно пространства в углах, чтобы ткань не застревала.
- Расстегните молнию оконной заглушки примерно на 50 сантиметров.
- Поместите гофру кондиционера в отверстие ткани. После этого застегните молнию так, чтобы зафиксировать гофру кондиционера.



ИСПОЛЬЗОВАНИЕ УСТРОЙСТВА С ПРИЛОЖЕНИЕМ ДЛЯ КОНТРОЛЯ КЛИМАТА



Устройством можно управлять вручную с помощью встроенных элементов управления либо удаленно с помощью пульта ДУ, смартфона или голосовых команд. Для начала скачайте приложение HomeWizard Climate. Оно доступно для устройств с Android и iOS.

Связывание устройства с приложением HomeWizard Climate

- Включите устройство.
- Откройте приложение HomeWizard Climate.
- Создайте учетную запись HomeWizard или войдите в существующую.
- Коснитесь элемента Add new Climate Device (Добавить новое устройство климат-контроля), чтобы добавить новое устройство.
- Выберите устройство, к которому вы хотите подключиться.
- Следуйте инструкциям в приложении, чтобы подключить его к устройству.

ОЧИСТКА УСТРОЙСТВА

- Перед очисткой отключите устройство от электрической розетки.

- Сначала очистите поверхность влажной тканью с нейтральным моющим средством, а затем протрите ее сухой тканью.
- Не используйте бензин и другие химические вещества для очистки устройства.
- Не мойте устройство.

Воздушный фильтр

- Воздушный фильтр следует чистить раз в две недели.
- Откройте решетку воздухозаборного отверстия и извлеките воздушный фильтр.
- Промойте фильтр в теплой воде (40 °C) с нейтральным моющим средством и дайте ему высохнуть (не под прямыми солнечными лучами).
- Установите воздушный фильтр обратно и закройте решетку.

ПОИСК И УСТРАНЕНИЕ НЕИСПРАВНОСТЕЙ

Неполадка	Возможные причины	Предлагаемые решения
-----------	-------------------	----------------------

<p>Устройство не запускается при нажатии кнопки питания.</p>	<ul style="list-style-type: none"> • Водяной бак заполнен. Мигает индикатор заполнения бака. • Температура в помещении выше заданной (режим электрообогрева). • Температура в помещении ниже заданной (режим охлаждения). 	<ul style="list-style-type: none"> • Слейте воду из бака. • Отрегулируйте температуру.
--	--	--

<p>Устройство плохо охлаждает.</p>	<ul style="list-style-type: none"> • Не закрыты двери или окна. • В помещении есть источники тепла. • Шланг для отвода нагретого воздуха не подсоединен или заблокирован. • Задана слишком высокая температура. • Воздухозаборное отверстие заблокировано. 	<ul style="list-style-type: none"> • Закройте все окна и двери. • По возможности уберите источники тепла. • Подсоедините или очистите шланг для отвода нагретого воздуха. • Отрегулируйте температуру. • Очистите воздухозаборное отверстие.
<p>Шум при работе.</p>	<ul style="list-style-type: none"> • Поверхность не горизонтальная или недостаточно ровная. • Звук издает хладагент, протекающий по трубкам внутри кондиционера. 	<ul style="list-style-type: none"> • Установите устройство на горизонтальную ровную поверхность, если это возможно.

Код E0	<ul style="list-style-type: none"> Отказ датчика температуры в помещении. 	<ul style="list-style-type: none"> Замените датчик температуры в помещении.
Код E1	<ul style="list-style-type: none"> Отказ датчика температуры конденсатора. 	<ul style="list-style-type: none"> Замените датчик температуры конденсатора.
Код E2	<ul style="list-style-type: none"> Поддон для воды заполнен при охлаждении. 	<ul style="list-style-type: none"> Вытащите резиновую заглушку и слейте воду.
Код E3	<ul style="list-style-type: none"> Отказ датчика температуры трубы. 	<ul style="list-style-type: none"> Замените датчик температуры трубы.
Код E4	<ul style="list-style-type: none"> Бак для воды заполнен. 	<ul style="list-style-type: none"> Слейте воду из бака.

ИЗДЕЛИЕ СОДЕРЖИТ ФТОРИРОВАННЫЙ ПАРНИКОВЫЙ ГАЗ.

Артикул:	352900
Хладагент:	R290
Количество в кг:	0,212
Потенциал глобального потепления:	3

Эквивалент CO ₂ , тонн:	0,000636
Артикул:	353200
Хладагент:	R290
Количество в кг:	0,226
Потенциал глобального потепления:	3
Эквивалент CO ₂ , тонн:	0,000678

ДЕКЛАРАЦИЯ О СООТВЕТСТВИИ

- Настоящим компания Smartwares Europe заявляет о соответствии радиоаппаратуры типа 352900 и 353200 требованиям Директивы 2014/53/EU.
- С полным текстом декларации о соответствии требованиям ЕС можно ознакомиться, перейдя по следующей ссылке: www.princesshome.eu/doc.

ЗАЩИТА ОКРУЖАЮЩЕЙ СРЕДЫ



По истечении срока службы не выкидывайте данное устройство с бытовыми отходами. Вместо этого его необходимо сдать в центральный пункт переработки электрических или электронных бытовых приборов. На этот важный момент указывает данный символ, используемый на устройстве, в руководстве по эксплуатации и на упаковке. Используемые в данном устройстве материалы подлежат вторичной переработке. Способствуя вторичной переработке бытовых приборов, вы вносите огромный вклад в защиту окружающей среды. Информацию о ближайшем пункте сбора таких приборов можно узнать в органах местного самоуправления.

Батареи запрещено утилизировать вместе с пищевыми отходами в соответствии с Европейской директивой о батареях (2006/66/ЕС). Они могут содержать вещества, вредные для окружающей среды. Разряженные батареи можно передать в местный пункт приема или центральный пункт вторичной переработки отходов. Во избежание перегрева в результате короткого замыкания необходимо вынимать литиевые батареи из изделия и заклеивать контакты изоляционной лентой или другим средством против короткого замыкания.

[WEEE Logo]



Wireless technology: Wi-Fi
Operating frequency: 2,4 Ghz
Max. radio-frequency power: 20.5dBm



www.princesshome.eu

© Princess 2020