

## **Europe, Middle East**

ENGLISH  
FRANÇAIS  
DEUTSCH  
NEDERLANDS  
ITALIANO  
ESPAÑOL  
PORTUGUÊS  
РУССКИЙ  
ČESTINA  
TÜRKÇE  
POLSKI  
SVENSKA  
SUOMI  
SLOVENCINA  
MAGYAR NYELV  
עברית  
العربية

## **North America/ Norteamérica**

ENGLISH  
FRANÇAIS  
ESPAÑOL

## **Latin America/ América Latina**

ENGLISH  
ESPAÑOL  
PORTUGUÊS

## **Asia Pacific**

日本語  
繁體中文  
한국어

# **THRUSTMASTER®**

# **TSS HANDBRAKE+**

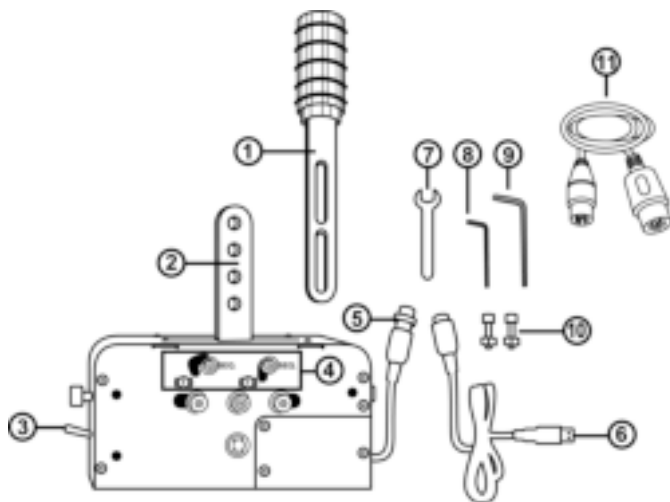
**sparco®** Mod

# TSS HANDBRAKE+

## sparco® Mod

PC – PS4™ – Xbox One®

### User Manual



### TECHNICAL SPECIFICATIONS

- |                                                                                                  |                                    |
|--------------------------------------------------------------------------------------------------|------------------------------------|
| 1 Detachable lever ( <i>not installed by default</i> )                                           | 6 Detachable male DIN / USB cable  |
| 2 Lever attachment arms                                                                          | 7 13 mm wrench key                 |
| 3 HANDBRAKE / SEQUENTIAL SHIFTER selector                                                        | 8 3 mm Allen wrench                |
| 4 Mechanical switching system (for switching between the HANDBRAKE and SEQUENTIAL SHIFTER modes) | 9 6 mm Allen wrench                |
| 5 DIN cable and female connector on base                                                         | 10 2 BTR M8 screws + 2 M8 nuts     |
|                                                                                                  | 11 Detachable mini-DIN / DIN cable |

## WARNING

Before using this product, be sure to read through this manual carefully. Retain this manual for future reference.



### **Warning – Electric shock**

- \* Keep this product in a dry place, and do not expose it to dust or sunlight.
- \* Respect the direction of insertion for connectors.
- \* Do not twist or pull on the connectors and cables.
- \* Do not spill liquid on the product or its connector.
- \* Do not short-circuit the product.
- \* Do not dismantle this product (apart from for the possible adjustments described in this manual), do not attempt to burn the product and do not expose the product to high temperatures.



### **Warning – Injuries due to repetitive movements**

Using a shifter or a handbrake may cause muscle and joint pains. In order to avoid any problems:

- \* Avoid playing for extended periods of time.
- \* Take a 10 to 15 minute break after each hour of playing.
- \* Should you experience fatigue or pain in your hands, wrists or arms, stop playing and rest for a few hours before starting to play again.
- \* If the symptoms or pains described above persist when you resume playing, stop playing and consult your doctor.
- \* Verify that the base of the TSS HANDBRAKE is properly mounted, as described in the instructions found in this manual.



### **Warning – Pinching risk in shift plate openings**

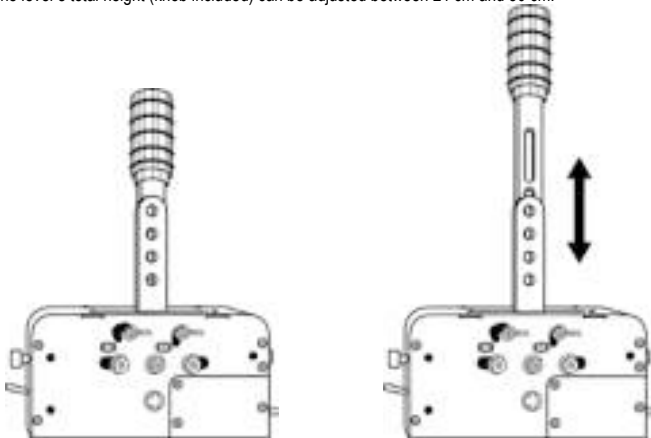
- \* Keep out of the reach of children.
- \* When playing a game, never place your fingers (or any other parts of your body) in the openings in the shift plates of the TSS HANDBRAKE.

**NEVER**

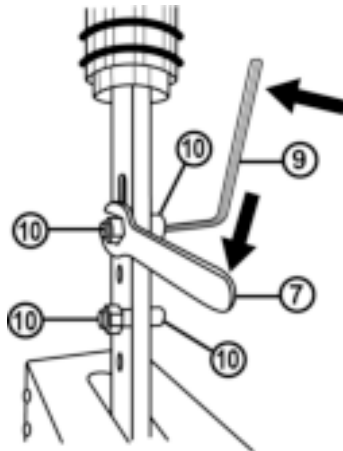


## INSTALLING THE DETACHABLE LEVER (1) ON THE ATTACHMENT ARMS (2)

1. Slide the detachable lever (1) between the attachment arms (2).
2. Adjust the lever at the desired height.  
The lever's total height (knob included) can be adjusted between 21 cm and 30 cm.



3. Attach the lever to the attachment arms using 2 BTR M8 screws (10), 2 M8 nuts (10) and the 6 mm Allen wrench (9).



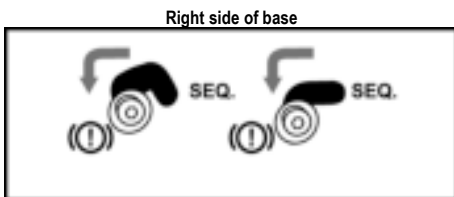
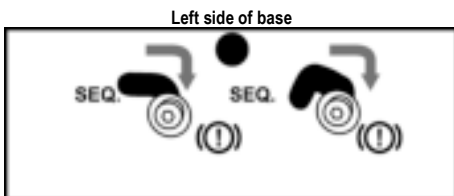
## CONFIGURING THE HANDBRAKE MODE

By default (when unboxing the device), the TSS HANDBRAKE is configured in the HANDBRAKE mode.

1. The HANDBRAKE / SHIFTER selector (3) is lowered in the HANDBRAKE mode position.



2. The mechanical system that lets you switch from the HANDBRAKE mode to the SEQUENTIAL SHIFTER mode (4) is preset in the HANDBRAKE position.

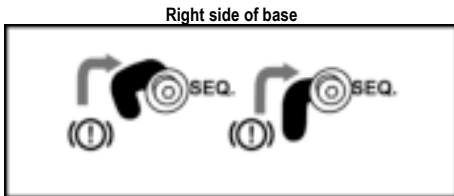
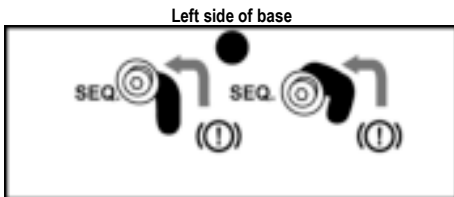


## CONFIGURING THE SEQUENTIAL SHIFTER MODE

1. Raise the **HANDBRAKE / SHIFTER** selector (**3**) in the **SEQUENTIAL SHIFTER** mode position.



2. To switch from the **HANDBRAKE** mode to the **SEQUENTIAL SHIFTER** mode (**4**), use the 3 mm Allen wrench (**8**) to slightly unscrew the mechanical system's screws (2 screws, located to either side of the base).
3. Move these 4 screws (2 screws, located on either side of the base) to the **SEQ** position.

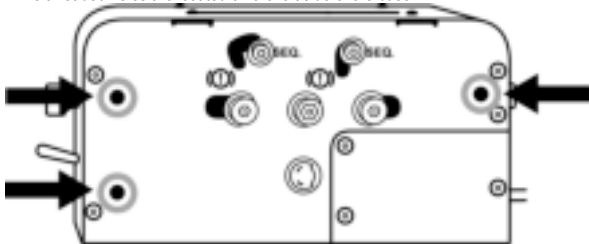


4. Check that these 4 screws (2 on either side of the base) are perfectly repositioned, then tighten them using the 3 mm Allen wrench (**8**).

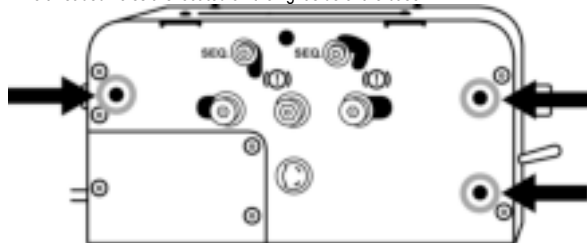
## INSTALLING THE TSS HANDBRAKE

The TSS HANDBRAKE can be attached to a variety of compatible supports (sold separately), using the M6 threaded holes located on either side of the device and under its base:

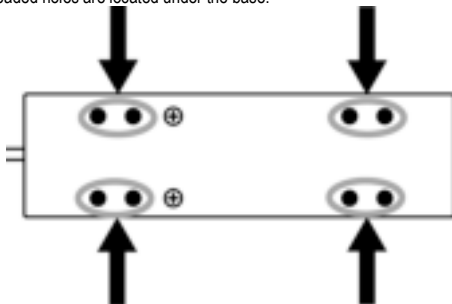
- 3 threaded holes are located on the left side of the base.



- 3 threaded holes are located on the right side of the base.



- 8 threaded holes are located under the base.



The TSS HANDBRAKE cockpit installation template is available from <https://support.thrustmaster.com>. Select Racing Wheels / TSS HANDBRAKE, then Template - Cockpit Setup.



## DO NOT TIGHTEN OR LOOSEN THESE SCREWS

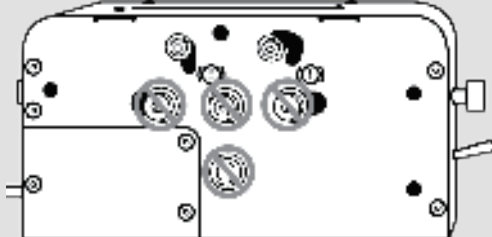


With the exception of the screws relating to the mechanical system used to switch from the HANDBRAKE mode the SEQUENTIAL SHIFTER mode (4), never tighten or loosen any screws located on the TSS HANDBRAKE base.

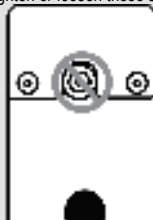
Left side of base = Never tighten or loosen these screws:



Right side of base = Never tighten or loosen these screws:



Front and rear sides of base = Never tighten or loosen these screws:





## INSTALLATION INSTRUCTIONS FOR PC

1. Go to <https://support.thrustmaster.com> to download the PC drivers. Select Racing Wheels / TSS HANDBRAKE, then select Drivers.
  2. Once the download is finished, run the installation program, and follow the instructions displayed onscreen.
  3. When prompted to do so by the installation program, connect the TSS HANDBRAKE to one of your PC's USB ports using the detachable male DIN / USB cable (6), and finish installing the driver.
  4. Once the installation is finished, click Finish and restart your computer.
  5. Select Start / All Programs / Thrustmaster / TH8 Shifter / Control Panel to open the Game Controllers window.
- The Game Controllers window displays the name **TSS HANDBRAKE Sparco® Mod**, with the status OK.
6. Click Properties to view the TSS HANDBRAKE in the Windows Control Panel:



**On PC, when the TSS HANDBRAKE is connected to a USB port using the detachable male DIN / USB cable (6), the TSS HANDBRAKE is compatible:**

- with HANDBRAKE mode [Progressive] and SEQUENTIAL SHIFTER mode [+/-];
- in all games supporting multi-USB, separate handbrakes and shifters;
- with all racing wheels on the market.

**On PC, when the TSS HANDBRAKE is connected to the back of a compatible Thrustmaster racing wheel base using the detachable mini-DIN / DIN cable (11), the TSS HANDBRAKE is compatible:**

- with SEQUENTIAL SHIFTER mode [+/-] only;
- in all games (as the TSS HANDBRAKE is combined with the racing wheel's UP and DOWN paddle shifters);
- with compatible Thrustmaster racing wheel bases only (TS-PC Racer, T-GT, T300, TS-XW Racer and TX).

**! IMPORTANT:** you must update the firmware of your racing wheel base (TS-PC Racer, T-GT, T300, TS-XW Racer and TX) with the latest version available at <https://support.thrustmaster.com/> to be able to connect a TSS HANDBRAKE to the racing wheel base.

### General notes on PC:

\* Remember to always completely close the Game Controllers window by clicking on OK before starting your game.

\* The TSS HANDBRAKE's firmware version is displayed in the upper right section of the Control Panel tabs.

\* If you choose to use a USB connection, we recommend connecting your racing wheel and the TSS HANDBRAKE directly to the USB 2.0 (not USB 3.0) ports on your PC, without using a hub.

\* Some games let you use 2 TSS HANDBRAKE devices simultaneously:

- 1 TSS HANDBRAKE configured in HANDBRAKE mode;
- 1 TSS HANDBRAKE in SEQUENTIAL SHIFTER mode.

## INSTALLATION ON PS4™ AND XBOX ONE®

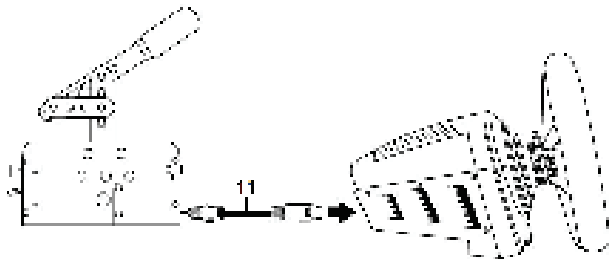
On PS4™ and Xbox One®, the TSS HANDBRAKE is compatible with the following racing wheel bases:

- Thrustmaster T-GT and T300 on PS4™
- Thrustmaster TS-XW Racer and TX on Xbox One®

**! IMPORTANT:** in order to ensure optimal performance of the TSS HANDBRAKE on PS4™ and Xbox One®, you must update the firmware of your racing wheel base (T-GT, T300, TS-XW Racer or TX) with the latest version available at <https://support.thrustmaster.com/>.

### Installation:

1. Using the detachable mini-DIN / DIN cable (11), connect the TSS HANDBRAKE directly to the female mini-DIN port located at the back of your racing wheel's base.



2. Connect your racing wheel to the console.

YOU ARE NOW READY TO PLAY!

### General notes on PS4™ and Xbox One®:

- Never use and connect the detachable male DIN / USB cable (6) on PS4™ and Xbox One®. The TSS HANDBRAKE must always be connected to a compatible Thrustmaster racing wheel base, and not to the console.
- When the TSS HANDBRAKE is connected to a compatible Thrustmaster racing wheel base:
  - SEQUENTIAL SHIFTER mode [+/-] works in all games, as it is combined with the racing wheel's UP and DOWN paddle shifters.
  - HANDBRAKE mode [Progressive] works in games that support the handbrake function\*.

\* List of PS4™ and Xbox One® games compatible with handbrakes available at <https://support.thrustmaster.com/>. In the **Racing Wheels** section, select **TM SIM HUB** or **TSS Handbrake Sparco® Mod**.

## TSS HANDBRAKE CONNECTION SUMMARY ACCORDING TO THE PLATFORM USED

	TSS HANDBRAKE connection
<b>PC</b> (HANDBRAKE mode and SEQUENTIAL SHIFTER mode)	To the PC, using the detachable male DIN / USB cable <b>(6)</b> . Compatible with all racing wheels on the market.
<b>PC</b> (SEQUENTIAL SHIFTER mode only)	At the back of a compatible Thrustmaster racing wheel base, using the detachable mini-DIN / DIN cable <b>(11)</b> .
<b>PS4™</b> (HANDBRAKE mode and SEQUENTIAL SHIFTER mode)	At the back of a compatible Thrustmaster racing wheel base, using the detachable mini-DIN / DIN cable <b>(11)</b> .
<b>XBOX ONE®</b> (HANDBRAKE mode and SEQUENTIAL SHIFTER mode)	At the back of a compatible Thrustmaster racing wheel base, using the detachable mini-DIN / DIN cable <b>(11)</b> .

## UPDATING THE TSS HANDBRAKE'S FIRMWARE

The firmware included in the TSS HANDBRAKE's base can be updated (meaning that it can be upgraded to a more recent version, featuring product enhancements).

To display the TSS HANDBRAKE's firmware version and update it, if required: on a PC, go to <https://support.thrustmaster.com>, select **Racing wheels / TSS HANDBRAKE**, then select **Firmware** and follow the instructions and the download and installation procedure.

## ADVANCED CALIBRATION SOFTWARE

The TSS HANDBRAKE's calibration procedure is automatic.

An advanced calibration software application for PC is also available at <https://support.thrustmaster.com>; select Racing Wheels / TSS HANDBRAKE, then Software. This software allows you to adjust the following:

- Analog travel in HANDBRAKE mode;
- Analog travel in SEQUENTIAL SHIFTER mode.

**Once the settings have been adjusted, they will immediately be saved in the TSS HANDBRAKE's internal memory and will therefore be effective in all of your games, whether on PC, PS4™ or Xbox One®.**

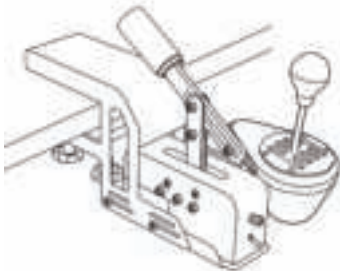
### TIPS & HINTS (not included in this manual)

Various tips and hints are available from the <https://support.thrustmaster.com> website; select Racing Wheels / TSS HANDBRAKE.

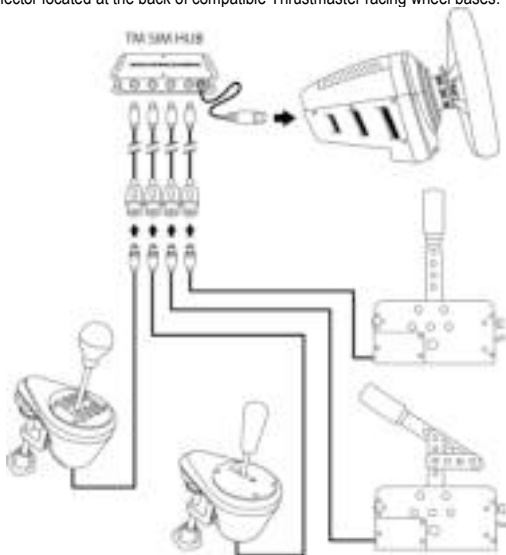
## ECOSYSTEM

The TSS **HANDBRAKE** is also compatible with other accessories sold separately:

\* The **TM RACING CLAMP**: a sturdy support bracket allowing gamers to securely mount their TSS Handbrake and their TH8A shifter directly on a table or desk, without the need for a cockpit.



\* The **TM SIM HUB**: a hub allowing users to simultaneously connect up to four accessories directly to the mini-DIN connector located at the back of compatible Thrustmaster racing wheel bases.



## **CONSUMER WARRANTY INFORMATION**

Worldwide, Guillemot Corporation S.A., whose registered office is located at Place du Granier, B.P. 97143, 35571 Chantepie, France (hereinafter "Guillemot") warrants to the consumer that this Thrustmaster product shall be free from defects in materials and workmanship, for a warranty period which corresponds to the time limit to bring an action for conformity with respect to this product. In the countries of the European Union, this corresponds to a period of two (2) years from delivery of the Thrustmaster product. In other countries, the warranty period corresponds to the time limit to bring an action for conformity with respect to the Thrustmaster product according to applicable laws of the country in which the consumer was domiciled on the date of purchase of the Thrustmaster product (if no such action exists in the corresponding country, then the warranty period shall be one (1) year from the original date of purchase of the Thrustmaster product).

Notwithstanding the above, rechargeable batteries are covered by a warranty period of six (6) months from the date of original purchase.

Should the product appear to be defective during the warranty period, immediately contact Technical Support, who will indicate the procedure to follow. If the defect is confirmed, the product must be returned to its place of purchase (or any other location indicated by Technical Support).

Within the context of this warranty, the consumer's defective product shall, at Technical Support's option, be either replaced or returned to working order. If, during the warranty period, the Thrustmaster product is subject to such reconditioning, any period of at least seven (7) days during which the product is out of use shall be added to the remaining warranty period (this period runs from the date of the consumer's request for intervention or from the date on which the product in question is made available for reconditioning, if the date on which the product is made available for reconditioning is subsequent to the date of the request for intervention). If permitted under applicable law, the full liability of Guillemot and its subsidiaries (including for consequential damages) is limited to the return to working order or the replacement of the Thrustmaster product. If permitted under applicable law, Guillemot disclaims all warranties of merchantability or fitness for a particular purpose.

This warranty shall not apply: (1) if the product has been modified, opened, altered, or has suffered damage as a result of inappropriate or abusive use, negligence, an accident, normal wear, or any other cause unrelated to a material or manufacturing defect (including, but not limited to, combining the Thrustmaster product with any unsuitable element, including in particular power supplies, rechargeable batteries, chargers, or any other elements not supplied by Guillemot for this product); (2) if the product has been used for any use other than home use, including for professional or commercial purposes (game rooms, training, competitions, for example); (3) in the event of failure to comply with the instructions provided by Technical Support; (4) to software, said software being subject to a specific warranty; (5) to consumables (elements to be replaced over the product's lifespan: disposable batteries, audio headset or headphone ear pads, for example); (6) to accessories (cables, cases, pouches, bags, wrist-straps, for example); (7) if the product was sold at public auction.

This warranty is nontransferable.

The consumer's legal rights with respect to laws applicable to the sale of consumer goods in his or her country are not affected by this warranty.

### Additional warranty provisions

During the warranty period, Guillemot shall not provide, in principle, any spare parts, as Technical Support is the only party authorized to open and/or recondition any Thrustmaster product (with the exception of any reconditioning procedures which Technical Support may request that the consumer carry out, by way of written instructions – for example, due to the simplicity and the lack of confidentiality of the reconditioning process – and by providing the consumer with the required spare part(s), where applicable).

Given its innovation cycles and in order to protect its know-how and trade secrets, Guillemot shall not provide, in principle, any reconditioning notification or spare parts for any Thrustmaster product whose warranty period has expired.

In the United States of America and in Canada, this warranty is limited to the product's internal mechanism and external housing. In no event shall Guillemot or its affiliates be held liable to any third party for any consequential or incidental damages resulting from the breach of any express or implied warranties. Some States/Provinces do not allow limitation on how long an implied warranty lasts or exclusion or limitation of liability for consequential or incidental damages, so the above limitations or exclusions may not apply to you. This warranty gives you specific legal rights, and you may also have other rights which vary from State to State or Province to Province.

### Liability

If permitted under applicable law, Guillemot Corporation S.A. (hereinafter "Guillemot") and its subsidiaries disclaim all liability for any damages caused by one or more of the following: (1) the product has been modified, opened or altered; (2) failure to comply with assembly instructions; (3) inappropriate or abusive use, negligence, an accident (an impact, for example); (4) normal wear; (5) the use of the product for any use other than home use, including for professional or commercial purposes (game rooms, training, competitions, for example). If permitted under applicable law, Guillemot and its subsidiaries disclaim all liability for any damages unrelated to a material or manufacturing defect with respect to the product (including, but not limited to, any damages caused directly or indirectly by any software, or by combining the Thrustmaster product with any unsuitable element, including in particular power supplies, rechargeable batteries, chargers, or any other elements not supplied by Guillemot for this product).

**THRUSTMASTER®**

**TECHNICAL SUPPORT**

<https://support.thrustmaster.com>





## DECLARATION OF CONFORMITY

**CANADIAN COMPLIANCE NOTICE:** this Class B digital apparatus meets all requirements of the Canadian Interference-Causing Equipment Regulations.

**USA COMPLIANCE NOTICE:** this equipment has been tested and found to comply with the limits for a Class B digital device, pursuant to Part 15 of the FCC rules. Operation is subject to the following two conditions:

- (1) This device may not cause harmful interference, and
- (2) This device must accept any interference received, including interference that may cause undesired operation.

These limits are designed to provide reasonable protection against harmful interference in a residential installation. This equipment generates, uses and can radiate radio frequency energy and, if not installed and used in accordance with the instructions, may cause harmful interference to radio communications. However, there is no guarantee that interference will not occur in a particular installation. If this equipment does cause harmful interference to radio or television reception, which can be determined by turning the equipment on and off, the user is encouraged to try to correct the interference by one or more of the following measures:

- Reorient or relocate the receiving antenna.
- Increase the separation between the equipment and receiver.
- Connect the equipment into an outlet on a circuit different from that to which the receiver is connected.
- Consult the dealer or an experienced radio/TV technician for help.

## COPYRIGHT

© 2019 Guillemot Corporation S.A. All rights reserved. Thrustmaster® is a registered trademark of Guillemot Corporation S.A. PlayStation® is a registered trademark of Sony Interactive Entertainment Inc. Windows® is a registered trademark of Microsoft Corporation in the United States and/or other countries. Sparco is a registered trademark of Sparco S.p.A. All other trademarks are the property of their respective owners. Illustrations not binding. Contents, designs and specifications are subject to change without notice and may vary from one country to another. Manufactured and distributed by Guillemot Corporation S.A. under official license from Sparco S.p.A. Made in China.

## ENVIRONMENTAL PROTECTION RECOMMENDATION



\* In the European Union: At the end of its working life, this product should not be disposed of with standard household waste, but rather dropped off at a collection point for the disposal of Waste Electrical and Electronic Equipment (WEEE) for recycling.

This is confirmed by the symbol found on the product, user manual or packaging. Depending on their characteristics, the materials may be recycled. Through recycling and other forms of processing Waste Electrical and Electronic Equipment, you can make a significant contribution towards helping to protect the environment.

Please contact your local authorities for information on the collection point nearest you.

For all other countries: Please adhere to local recycling laws for electrical and electronic equipment.

Retain this information. Colors and decorations may vary.

Plastic fasteners and adhesives should be removed from the product before it is used.

**[www.thrustmaster.com](http://www.thrustmaster.com)**

*\*Applicable to EU and Turkey only*

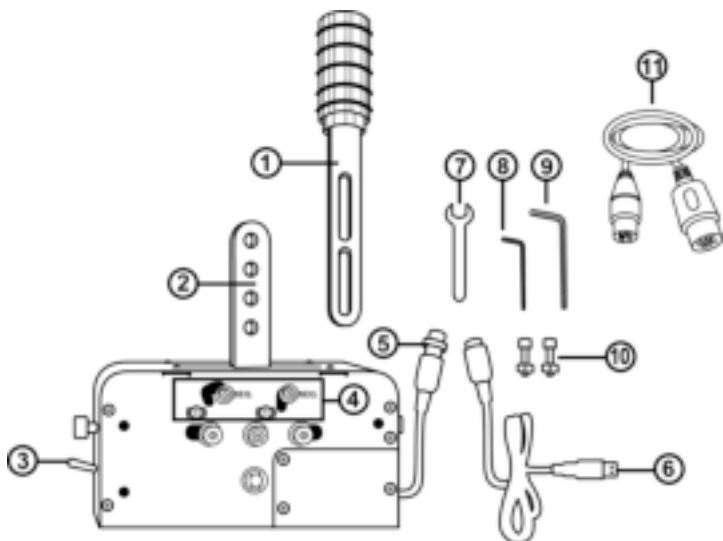


# TSS HANDBRAKE+

## sparco® Mod

PC – PS4™ – Xbox One®

### Manuel de l'utilisateur



### CARACTÉRISTIQUES TECHNIQUES

- |                                                                   |                                    |
|-------------------------------------------------------------------|------------------------------------|
| 1 Levier amovible ( <i>non installé par défaut</i> )              | 6 Câble détachable DIN mâle / USB. |
| 2 Bras de fixation du levier                                      | 7 Clé plate 13 mm                  |
| 3 Sélecteur FREIN À MAIN / SÉQUENTIEL                             | 8 Clé Allen 3 mm                   |
| 4 Système mécanique pour basculer de FREIN À MAIN vers SÉQUENTIEL | 9 Clé Allen 6 mm                   |
| 5 Câble et connecteur DIN femelle de la base                      | 10 2 vis CHC M8 + 2 écrous M8      |
|                                                                   | 11 Câble détachable mini-DIN / DIN |

## AVERTISSEMENT

Avant d'utiliser ce produit, lisez attentivement cette documentation et conservez-la pour pouvoir la consulter ultérieurement.



### **Avertissement – Chocs électriques**

- \* Conservez le produit dans un endroit sec et ne l'exposez ni à la poussière ni au soleil.
- \* Respectez les sens de branchement.
- \* Ne tordez pas et ne tirez pas sur les connecteurs et câbles.
- \* Ne renversez pas de liquide sur le produit et son connecteur.
- \* Ne mettez pas le produit en court-circuit.
- \* Ne démontez jamais le produit (hormis pour les réglages possibles notifiés dans ce manuel), ne le jetez pas au feu et ne l'exposez pas à des températures élevées.



### **Avertissement – Blessures dues aux mouvements répétitifs**

Jouer avec une boîte de vitesses ou un frein à main peut causer des douleurs aux muscles et aux articulations. Afin d'éviter tout problème :

- \* Evitez les périodes trop longues de jeu.
- \* Faites une pause de 10 à 15 minutes après chaque heure de jeu.
- \* Si vous éprouvez fatigue ou douleur au niveau des mains, des poignets ou des bras, cessez de jouer et reposez-vous pendant quelques heures avant de recommencer à jouer.
- \* Si les symptômes ou les douleurs indiqués ci-dessus persistent lorsque vous reprenez le jeu, arrêtez de jouer et consultez votre médecin.
- \* Vérifiez que la base du TSS HANDBRAKE est correctement fixée, conformément aux instructions du manuel.



### **Avertissement – Risque de pincement au niveau des grilles de passage de vitesses**

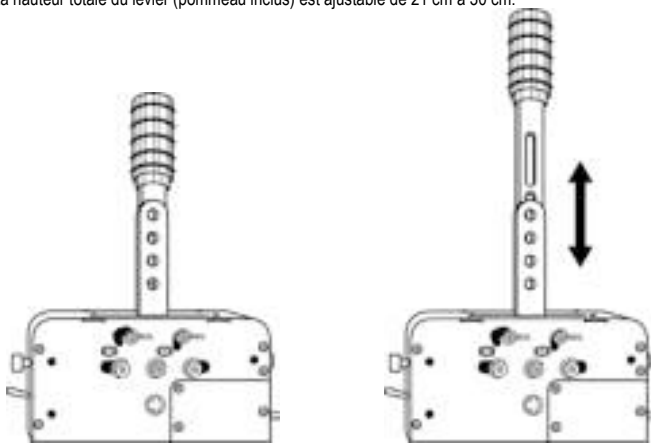
- \* Laissez hors de portée des enfants.
- \* Lors des phases de jeu, ne placez jamais vos doigts (ou autres parties du corps) dans les grilles du TSS HANDBRAKE.

**JAMAIS**

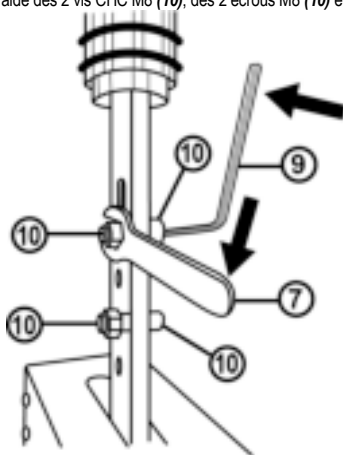


## INSTALLATION DU LEVIER AMOVIBLE (1) SUR LES BRAS DE FIXATION (2)

1. Insérez le levier amovible (1) dans ses bras de fixation (2).
2. Positionnez le levier à la hauteur qui vous convient.  
La hauteur totale du levier (pommeau inclus) est ajustable de 21 cm à 30 cm.



3. Fixez l'ensemble à l'aide des 2 vis CHC M8 (10), des 2 écrous M8 (10) et de la clé Allen 6 mm (9).



## INSTALLATION DU MODE FREIN À MAIN

Par défaut (à la sortie de sa boîte), le TSS HANDBRAKE est préinstallé en mode FREIN À MAIN.

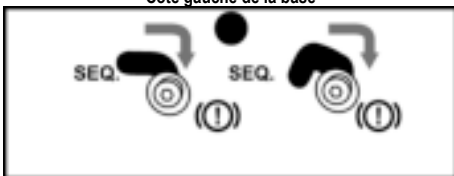
1. Le sélecteur FREIN À MAIN / SÉQUENTIEL (3) est positionné vers le bas en position FREIN À MAIN.

Façade de la base

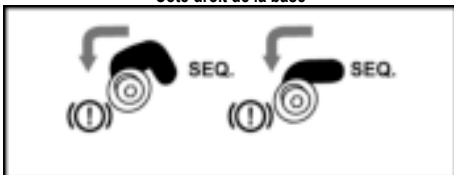


2. Le système mécanique permettant de basculer de FREIN À MAIN vers SÉQUENTIEL (4) est préinstallé en position FREIN À MAIN.

Côté gauche de la base



Côté droit de la base



## INSTALLATION DU MODE SÉQUENTIEL

1. Positionnez le sélecteur FREIN À MAIN / SÉQUENTIEL (3) vers le haut, en position SÉQUENTIEL.

Façade de la base



2. A l'aide de la Clé Allen 3 mm (8), dévissez légèrement (de chaque côté de la base) les 2 vis du système mécanique pour basculer de FREIN À MAIN vers SÉQUENTIEL (4).
3. Déplacez ces 4 vis (2 de chaque côté de la base) vers la position SEQ.

Côté gauche de la base



Côté droit de la base

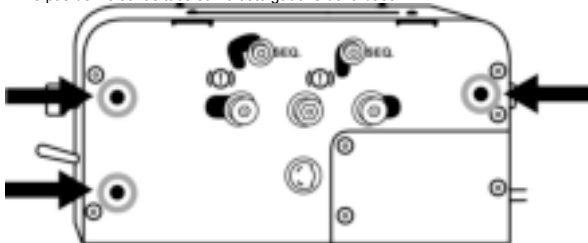


4. Vérifiez que ces 4 vis (2 de chaque côté de la base) sont parfaitement repositionnées, puis revissez-les à l'aide de la clé Allen 3mm (8).

## FIXATION DU TSS HANDBRAKE

Le TSS HANDBRAKE peut-être fixé sur divers supports compatibles (vendus séparément) via différents pas de vis type M6 situés de chaque côté et sous sa base :

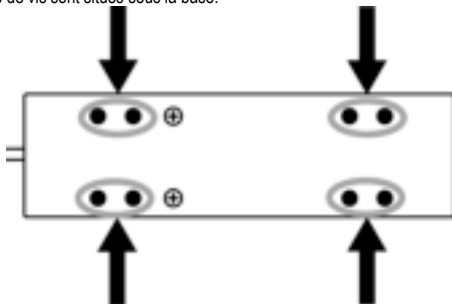
- 3 pas de vis sont situés sur le côté gauche de la base.



- 3 pas de vis sont situés sur le côté droit de la base.



- 8 pas de vis sont situés sous la base.



Le plan d'implantation du TSS HANDBRAKE pour les cockpits est disponible sur <https://support.thrustmaster.com> : cliquez sur Volants / TSS HANDBRAKE, puis sur Template - Cockpit Setup.

**! VIS A NE PAS DEREGLER !**

À l'exception du système mécanique permettant de basculer de FREIN À MAIN vers SÉQUENTIEL (4), ne déréglez jamais les autres vis situées sur la base du TSS HANDBRAKE.

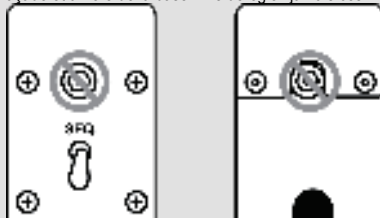
Côté gauche de la base = ne déréglez jamais ces vis :



Côté droit de la base = ne déréglez jamais ces vis :



Façade et arrière de la base = ne déréglez jamais ces vis :





## INSTALLATION SUR PC

1. Allez sur <https://support.thrustmaster.com> pour télécharger les pilotes pour PC.

Cliquez sur PC / Volants / TSS HANDBRAKE, puis sélectionnez Pilotes.

2. Une fois le téléchargement terminé, lancez l'installation, puis suivez les instructions affichées à l'écran.

3. Lorsque le programme d'installation vous le demande, branchez le TSS HANDBRAKE sur l'un des ports USB de votre PC à l'aide du câble détachable DIN mâle / USB (6), puis terminez l'installation du pilote.

4. Une fois l'installation terminée, cliquez sur Terminer et redémarrez votre ordinateur.

5. Sélectionnez Démarrer / Tous les programmes / Thrustmaster / TH8 Shifter / Panneau de configuration pour ouvrir la fenêtre Contrôleurs de jeu.

La fenêtre Contrôleurs de jeu affiche le nom **TSS HANDBRAKE Sparco® Mod** avec l'état OK.

6. Cliquez sur Propriétés pour visualiser le TSS HANDBRAKE dans le panneau de configuration :



## Sur PC, lorsque le TSS HANDBRAKE est branché sur un port USB à l'aide du câble DIN mâle / USB (6), il est compatible :

- avec le mode FREIN À MAIN [Progressif] et le mode SÉQUENTIEL [+/-] ;
- dans tous les jeux acceptant le multi-USB, les freins à main et les boîtes séquentielles séparés ;
- avec tous les volants du marché.

## Sur PC, lorsque le TSS HANDBRAKE est branché à l'arrière de la base d'un volant Thrustmaster compatible à l'aide du câble mini-DIN / DIN (11), il est compatible :

- uniquement avec le mode SÉQUENTIEL [+/-] ;
- dans tous les jeux (car couplé avec les palettes de vitesses UP et DOWN du volant) ;
- uniquement avec les bases de volant Thrustmaster compatibles (TS-PC Racer, T-GT, T300, TS-XW et TX).

 **IMPORTANT** : il est impératif de mettre à jour le firmware de la base de votre volant (TS-PC Racer, T-GT, T300, TS-XW et TX) avec la dernière version disponible sur <https://support.thrustmaster.com/> pour pouvoir brancher un TSS HANDBRAKE sur celle-ci.

## Remarques générales sur PC :

- \* Pensez à toujours fermer complètement la fenêtre Contrôleurs de jeu en cliquant sur OK avant de lancer votre jeu.
- \* La version du firmware du TSS apparaît en haut à droite dans les onglets du panneau de configuration.
- \* Si vous choisissez un branchement USB, il est préférable de brancher le volant et le TSS HANDBRAKE directement sur des ports USB 2.0 (et non 3.0) de votre PC, sans utiliser de hub.
- \* En fonction des jeux, vous pouvez utiliser deux TSS HANDBRAKE simultanément :
  - un TSS HANDBRAKE en mode FREIN À MAIN ;
  - un TSS HANDBRAKE en mode SÉQUENTIEL.

## INSTALLATION SUR PS4™ ET XBOX ONE®

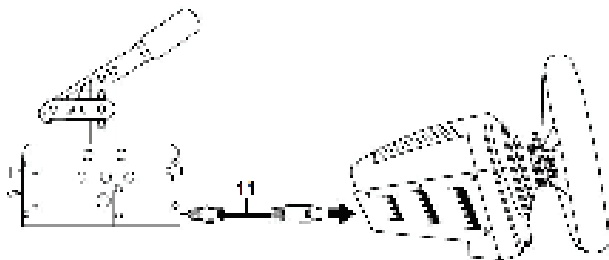
Le TSS HANDBRAKE est compatible sur PS4™ et Xbox One® avec la base des volants suivants :

- Thrustmaster T-GT et T300 sur PS4™
- Thrustmaster TS-XW Racer et TX sur Xbox One®

**! IMPORTANT :** pour un fonctionnement optimal du TSS HANDBRAKE sur PS4™ et Xbox One®, il est impératif de mettre à jour le firmware de la base de votre volant (T-GT, T300, TS-XW Racer ou TX) avec la dernière version disponible sur <https://support.thrustmaster.com/>.

### Installation :

1. A l'aide du câble détachable mini-DIN / DIN (11), branchez le TSS HANDBRAKE directement sur le port mini-DIN femelle situé à l'arrière de la base de votre volant.



2. Branchez votre volant sur la console.

VOUS ETES MAINTENANT PRET A JOUER !

### Remarques générales sur PS4™ et XBOX ONE® :

- Ne jamais utiliser et brancher sur PS4™ et Xbox One® le câble détachable DIN mâle / USB (6). Le TSS HANDBRAKE doit toujours être branché sur une base de volant Thrustmaster compatible et non sur la console.

- Lorsque le TSS HANDBRAKE est branché sur une base de volant Thrustmaster compatible :

- Le mode SÉQUENTIEL [+/-] est fonctionnel dans tous les jeux, car il est couplé avec les palettes de vitesses UP et DOWN du volant.
- Le mode FREIN À MAIN [Progressif] est fonctionnel dans les jeux prenant en charge la fonction frein à main\*.

\* Liste des jeux PS4™ et Xbox One® compatibles avec les freins à mains disponible sur <https://support.thrustmaster.com/>. Dans la catégorie **Volants**, sélectionnez **TM SIM HUB** ou **TSS Handbrake Sparco® Mod**.

## RÉCAPITULATIF DE BRANCHEMENT DU TSS HANDBRAKE EN FONCTION DE LA PLATEFORME UTILISÉE



	<b>Branchement du TSS HANDBRAKE</b>
<b>PC</b> (mode FREIN À MAIN et mode SÉQUENTIEL)	Sur le PC à l'aide du câble DIN mâle / USB <b>(6)</b> . Compatible avec tous les volants du marché.
<b>PC</b> (mode SÉQUENTIEL uniquement)	À l'arrière de la base d'un volant Thrustmaster compatible à l'aide du câble mini-DIN / DIN <b>(11)</b>
<b>PS4™</b> (mode FREIN À MAIN et mode SÉQUENTIEL)	À l'arrière de la base d'un volant Thrustmaster compatible à l'aide du câble mini-DIN / DIN <b>(11)</b>
<b>XBOX ONE®</b> (mode FREIN À MAIN et mode SÉQUENTIEL)	À l'arrière de la base d'un volant Thrustmaster compatible à l'aide du câble mini-DIN / DIN <b>(11)</b>

### MISE À A JOUR DU FIRMWARE DU TSS HANDBRAKE

Le firmware inclus dans la base du TSS HANDBRAKE peut être mis à jour (ce qui signifie qu'il peut être mis à jour par des versions plus récentes comportant des améliorations produits).

Pour afficher la version de firmware de votre TSS et le mettre à jour si nécessaire : sur PC, allez sur <https://support.thrustmaster.com>, cliquez sur **Volants / TSS HANDBRAKE**, puis sélectionnez **Firmware** et suivez les instructions et la procédure de téléchargement et d'installation.

## LOGICIEL DE CALIBRATION AVANCEE

La calibration du TSS HANDBRAKE est automatique.

Un logiciel de calibration avancée sur PC est également disponible ici : <https://support.thrustmaster.com> (cliquez sur Volants / TSS HANDBRAKE puis Logiciel), pour vous permettre d'ajuster à votre convenance :

- la course analogique du mode FREIN À MAIN ;
- la course des rapports du mode SÉQUENTIEL.

**Une fois les réglages effectués, ils seront instantanément sauvegardés dans la mémoire interne du TSS HANDBRAKE et seront donc effectifs dans l'ensemble de vos jeux, que ce soit sur PC, PS4™ et Xbox One®.**

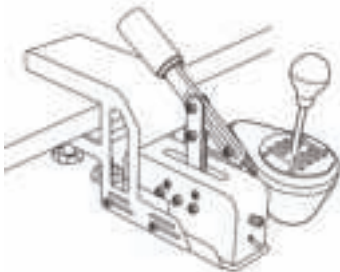
## AIDES & ASTUCES DIVERSES (non notifiées dans ce manuel)

Diverses aides et astuces sont disponibles sur le site <https://support.thrustmaster.com> : cliquez sur Volants / TSS Handbrake.

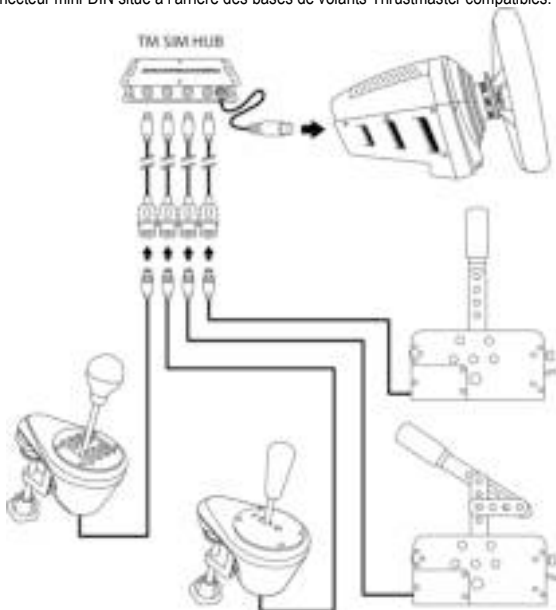
## ÉCOSYSTÈME

Le TSS HANDBRAKE est également compatible avec d'autres accessoires vendus séparément :

\* Le **TM RACING CLAMP**: un support robuste permettant aux joueurs de monter de manière sécurisée leur TSS Handbrake et leur boîte de vitesses TH8A directement sur une table ou un bureau, sans avoir besoin de cockpit.



\* Le **TM SIM HUB** : hub permettant de brancher simultanément jusqu'à quatre accessoires directement sur le connecteur mini-DIN situé à l'arrière des bases de volants Thrustmaster compatibles.



## INFORMATIONS RELATIVES A LA GARANTIE AUX CONSOMMATEURS

Dans le monde entier, Guillemot Corporation S.A., ayant son siège social Place du Granier, B.P. 97143, 35571 Chantepie, France (ci-après « Guillemot ») garantit au consommateur que le présent produit Thrustmaster est exempt de défaut matériel et de vice de fabrication, et ce, pour une période de garantie qui correspond au délai pour intenter une action en conformité de ce produit. Dans les pays de l'Union Européenne, ce délai est de deux (2) ans à compter de la délivrance du produit Thrustmaster. Dans les autres pays, la durée de la période de garantie correspond au délai pour intenter une action en conformité du produit Thrustmaster selon la législation en vigueur dans le pays où le consommateur avait son domicile lors de l'achat du produit Thrustmaster (si une telle action en conformité n'existe pas dans ce pays alors la période de garantie est de un (1) an à compter de la date d'achat d'origine du produit Thrustmaster).

Si, au cours de la période de garantie, le produit semble défectueux, contactez immédiatement le Support Technique qui vous indiquera la procédure à suivre. Si le défaut est confirmé, le produit devra être retourné à son lieu d'achat (ou tout autre lieu indiqué par le Support Technique).

Dans le cadre de la garantie, le consommateur bénéficiera, au choix du Support Technique, d'un remplacement ou d'une remise en état de marche du produit défectueux. Si, pendant la période de garantie, le produit Thrustmaster fait l'objet d'une telle remise en état, toute période d'immobilisation d'au moins sept jours vient s'ajouter à la durée de la garantie qui restait à courir (cette période court à compter de la demande d'intervention du consommateur ou de la mise à disposition pour remise en état du produit en cause, si cette mise à disposition est postérieure à la demande d'intervention). Lorsque la loi applicable l'autorise, toute responsabilité de Guillemot et ses filiales (y compris pour les dommages indirects) se limite à la remise en état de marche ou au remplacement du produit Thrustmaster. Lorsque la loi applicable l'autorise, Guillemot exclut toutes garanties de qualité marchande ou d'adaptation à un usage particulier.

Cette garantie ne s'appliquera pas : (1) si le produit a été modifié, ouvert, altéré, ou a subi des dommages résultant d'une utilisation inappropriée ou abusive, d'une négligence, d'un accident, de l'usure normale, ou de toute autre cause non liée à un défaut matériel ou à un vice de fabrication (y compris, mais non limitativement, une combinaison du produit Thrustmaster avec tout élément inadapté, notamment alimentations électriques, batteries, chargeurs, ou tous autres éléments non-fournis par Guillemot pour ce produit) ; (2) si le produit a été utilisé en dehors du cadre privé, à des fins professionnelles ou commerciales (salles de jeu, formations, compétitions, par exemple). (3) en cas de non respect des instructions du Support Technique ; (4) aux logiciels, lesdits logiciels faisant l'objet d'une garantie spécifique ; (5) aux consommables (éléments à remplacer pendant la durée de vie du produit : piles, coussinets de casque audio, par exemple) ; (6) aux accessoires (câbles, étuis, housses, sacs, dragonnes, par exemple) ; (7) si le produit a été vendu aux enchères publiques.

Cette garantie n'est pas transférable.

Les droits légaux du consommateur au titre de la législation applicable dans son pays à la vente de biens de consommation ne sont pas affectés par la présente garantie.

Par exemple, en France, indépendamment de la présente garantie, le vendeur reste tenu de la garantie légale de conformité mentionnée aux articles L. 217-4 à L.217-12 du code de la consommation et de celle relative aux défauts (vices cachés) de la chose vendue, dans les conditions prévues aux articles 1641 à 1648 et 2232 du code civil. La loi applicable (c'est-à-dire la loi française) impose de reproduire les extraits de la loi française suivants :

Article L. 217-4 du code de la consommation:

*Le vendeur livre un bien conforme au contrat et répond des défauts de conformité existant lors de la délivrance.*

*Il répond également des défauts de conformité résultant de l'emballage, des instructions de montage ou de l'installation lorsque celle-ci a été mise à sa charge par le contrat ou a été réalisée sous sa responsabilité.*

Article L. 217-5 du code de la consommation:

*Le bien est conforme au contrat :*

*1° S'il est propre à l'usage habituellement attendu d'un bien semblable et, le cas échéant :*

*- s'il correspond à la description donnée par le vendeur et possède les qualités que celui-ci a présentées à l'acheteur sous forme d'échantillon ou de modèle ;*

*- s'il présente les qualités qu'un acheteur peut légitimement attendre eu égard aux déclarations publiques faites par le vendeur, par le producteur ou par son représentant, notamment dans la publicité ou l'étiquetage ;*

*2° Ou s'il présente les caractéristiques définies d'un commun accord par les parties ou est propre à tout usage spécial recherché par l'acheteur, porté à la connaissance du vendeur et que ce dernier a accepté.*

Article L. 217-12 du code de la consommation:

*L'action résultant du défaut de conformité se prescrit par deux ans à compter de la délivrance du bien.*

Article L. 217-16 du code de la consommation:

*Lorsque l'acheteur demande au vendeur, pendant le cours de la garantie commerciale qui lui a été consentie lors de l'acquisition ou de la réparation d'un bien meuble, une remise en état couverte par la garantie, toute période d'immobilisation d'au moins sept jours vient s'ajouter à la durée de la garantie qui restait à courir.*

*Cette période court à compter de la demande d'intervention de l'acheteur ou de la mise à disposition pour réparation du bien en cause, si cette mise à disposition est postérieure à la demande d'intervention.*

Article L. 1641 du code civil:

*Le vendeur est tenu de la garantie à raison des défauts cachés de la chose vendue qui la rendent impropre à l'usage auquel on la destine, ou qui diminuent tellement cet usage que l'acheteur ne l'aurait pas acquise, ou n'en aurait donné qu'un moindre prix, s'il les avait connus.*

Article L. 1648 alinéa 1<sup>er</sup> du code civil:

*L'action résultant des vices rédhibitoires doit être intentée par l'acquéreur dans un délai de deux ans à compter de la découverte du vice.*

### **Stipulations additionnelles à la garantie**

Pendant la période de garantie, Guillemot ne fournira, en principe, pas de pièce détachée car le Support Technique est seul habilité tant à ouvrir qu'à remettre en état tout produit Thrustmaster (à l'exception des remises en état que le Support Technique demanderait, par instructions écrites, au consommateur d'effectuer - par exemple en raison de la simplicité et de l'absence de confidentialité du processus de remise en état-, en lui fournissant, le cas échéant, la ou les pièces détachées nécessaires).

Compte tenu de ses cycles d'innovation et pour préserver ses savoir-faire et secrets, Guillemot ne fournira, en principe, ni notice de remise en état, ni pièce détachée pour tout produit Thrustmaster dont la période de garantie est expirée.

Aux États-Unis d'Amérique et au Canada, la présente garantie est limitée au mécanisme interne et au boîtier externe du produit. En aucun cas, Guillemot ou ses sociétés affiliées ne sauraient être tenues responsables envers qui que ce soit de tous dommages indirects ou dommages accessoires résultant du non respect des garanties expresses ou implicites. Certains États/Provinces n'autorisent pas la limitation sur la durée d'une garantie implicite, ou l'exclusion ou la limitation de responsabilité pour les dommages indirects ou accessoires, de sorte que les limitations ou exclusions ci-dessus peuvent ne pas vous être applicables. Cette garantie vous confère des droits spécifiques ; vous pouvez également bénéficier d'autres droits qui peuvent différer d'un État/Province à l'autre.

### **Responsabilité**

Lorsque la loi applicable l'autorise, Guillemot Corporation S.A. (ci-après « Guillemot ») et ses filiales excluent toute responsabilité pour tous dommages causés par un ou plusieurs des faits suivants: (1) le produit a été modifié, ouvert, altéré, (2) l'irrespect des instructions de montage, (3) l'utilisation inappropriée ou abusive, la négligence, l'accident (un choc, par exemple), (4) l'usure normale du produit, (5) l'utilisation du produit en dehors du cadre privé, à des fins professionnelles ou commerciales (salles de jeu, formations, compétitions, par exemple). Lorsque la loi applicable l'autorise, Guillemot et ses filiales excluent toute responsabilité pour tout dommage dont la cause n'est pas liée à un défaut matériel ou à un vice de fabrication du produit (y compris, mais non limitativement, tout dommage causé directement ou indirectement par tout logiciel, ou par une combinaison du produit Thrustmaster avec tout élément inadapté, notamment alimentations électriques, batteries, chargeurs, ou tous autres éléments non-fournis par Guillemot pour ce produit).

**THRUSTMASTER®**

**SUPPORT TECHNIQUE**

<https://support.thrustmaster.com>





## Déclaration de conformité

### UTILISATEURS CANADIENS :

Cet appareil numérique de la classe B respecte toutes les exigences du Règlement sur le matériel brouilleur du Canada.

## COPYRIGHT

© 2019 Guillemot Corporation S.A. Tous droits réservés. Thrustmaster® est une marque déposée de Guillemot Corporation S.A. PlayStation® est une marque déposée de Sony Interactive Entertainment Inc. Windows® est une marque déposée de Microsoft Corporation aux États-Unis et/ou dans d'autres pays. Sparco est une marque déposée de Sparco S.p.A. Toutes les autres marques sont la propriété de leurs propriétaires respectifs. Illustrations non contractuelles. Le contenu, la conception et les spécifications sont susceptibles de changer sans préavis et de varier selon les pays. Produit et distribué par Guillemot Corporation S.A. sous licence officielle de Sparco S.p.A. Fabriqué en Chine.

## RECOMMANDATION RELATIVE A LA PROTECTION DE L'ENVIRONNEMENT



Dans l'Union Européenne : En fin de vie, ce produit ne doit pas être éliminé avec les déchets ménagers normaux mais déposé à un point de collecte des déchets d'équipements électriques et électroniques en vue de son recyclage.

Ceci est confirmé par le symbole figurant sur le produit, le manuel utilisateur ou l'emballage.

En fonction de leurs caractéristiques, les matériaux peuvent être recyclés. Par le recyclage et par les autres formes de valorisation des déchets d'équipements électriques et électroniques, vous contribuez de manière significative à la protection de l'environnement. Veuillez consulter les autorités locales qui vous indiqueront le point de collecte concerné.

Dans les autres pays : Veuillez vous reporter aux législations locales relatives au recyclage des équipements électriques et électroniques.

Informations à conserver. Les couleurs et décorations peuvent varier.

Il est recommandé de retirer les attaches en plastique et les adhésifs avant d'utiliser le produit.

[www.thrustmaster.com](http://www.thrustmaster.com)

*\*Applicable à l'UE et la Turquie uniquement*

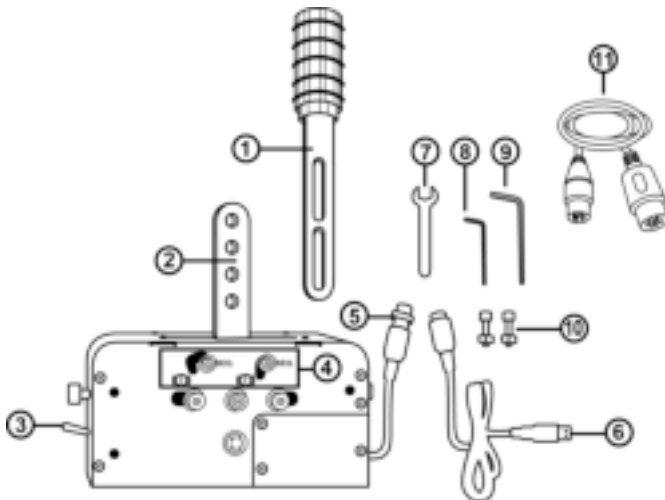


# TSS HANDBRAKE+

## sparco® Mod

PC – PS4™ – Xbox One®

### Benutzerhandbuch



### TECHNISCHE MERKMALE

- 1 Abnehmbarer Schaltknopf / Bremshebel  
(nicht vorinstalliert)
- 2 Befestigungsarm
- 3 Wahlschalter HANDBREMSE /  
SEQUENZIELLE GANGSCHALTUNG
- 4 Mechanisches Wechselsystem (zum  
Umschalten zwischen HANDBREMSE und  
SEQUENZIELLER GANGSCHALTUNG)
- 5 DIN-Kabel mit Basis-Anschlussbuchse
- 6 Abnehmbares DIN auf USB-Kabel  
(13 mm)
- 7 Schraubenschlüssel (13 mm)
- 8 Inbusschlüssel (3 mm)
- 9 Inbusschlüssel (6 mm)
- 10 2x BTR M8-Schrauben + 2x M8-  
Muttern
- 11 Abnehmbares Kabel Mini-DIN auf  
DIN

## WARNHINWEISE

Bevor Sie dieses Produkt benutzen, lesen Sie bitte diese Dokumentation sorgfältig durch und bewahren Sie diese sicher auf, falls Sie später etwas nachlesen müssen.



### **Warnung – elektrischer Schlag**

- \* Lagern Sie das Produkt an einem trockenen Ort und setzen Sie es weder Staub noch direktem Sonnenlicht aus.
- \* Beachten Sie die Einsteckrichtung bei sämtlichen Anschlüssen.
- \* Verdrehen Sie keine Kabel oder ziehen direkt an deren Steckern.
- \* Schütten Sie keine Flüssigkeiten auf das Produkt oder dessen Anschlüsse.
- \* Schließen Sie das Produkt nicht kurz.
- \* Zerlegen Sie das Produkt niemals (außer sie führen Modifikationen nach dieser Betriebsanleitung durch), werfen es ins Feuer oder setzen es hohen Temperaturen aus.



### **Warnung - Verletzungen durch sich wiederholende Bewegungen**

Die Verwendung eines Schalthebels oder einer Handbremse kann Muskel- und Gelenkschmerzen verursachen. Um Problemen vorzubeugen:

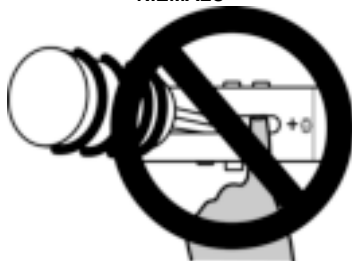
- \* Vermeiden Sie das Spielen über einen langen Zeitraum.
- \* Legen Sie nach jeder Stunde im Spiel eine Pause zwischen 10 bis 15 Minuten ein.
- \* Sollten Sie Müdigkeit oder Schmerzen in Ihren Händen, Handgelenken oder Armen verspüren, legen Sie eine mehrstündige Pause ein, bevor Sie weiterspielen.
- \* Sollten die beschriebenen Symptome oder Schmerzen weiterhin bestehen, wenn Sie das Spiel fortsetzen, beenden Sie das Spiel und suchen Sie einen Arzt auf.
- \* Vergewissern Sie sich, dass die Basis der TSS HANDBRAKE richtig befestigt ist, so wie in dieser Anleitung beschrieben.



### **Warnung – Einklemmgefahr im Schaltgestängesystem**

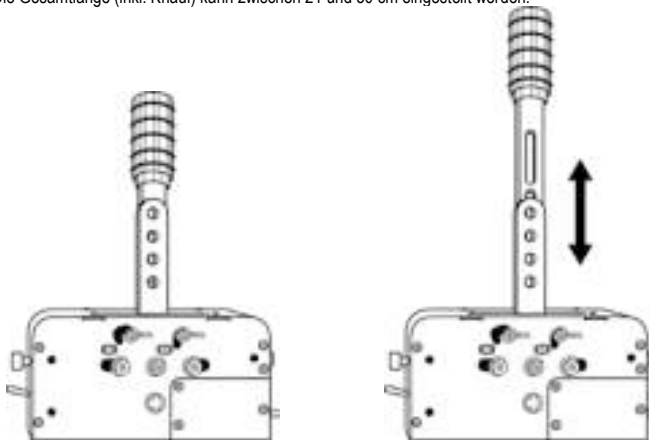
- \* Von Kindern fernhalten.
- \* Halten Sie Ihre Finger und sämtliche anderen Körperteile während des Spiels von den Öffnungen der Schaltplatte der TSS HANDBRAKE fern.

**NIEMALS**

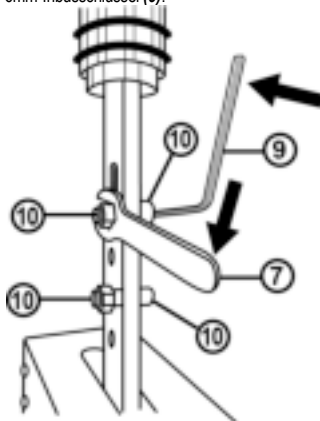


## SO INSTALLIEREN SIE DEN ABNEHMBAREN HEBEL (1) AUF DEN BEFESTIGUNGSARMEN (2)

1. Schieben Sie den abnehmbaren Hebel (1) zwischen die Befestigungsarme (2).
2. Passen Sie die Höhe des Hebels nach Ihren Bedürfnissen an.  
Die Gesamtlänge (inkl. Knauf) kann zwischen 21 und 30 cm eingestellt werden.



3. Montieren Sie den Hebel an den Befestigungsarmen mit den 2 BTR M8-Schrauben (10), 2 M8-Muttern (10) und dem 6mm-Inbusschlüssel (9).



## SO STELLEN SIE DEN MODUS AUF HANDBREMSE

Die TSS HANDBRAKE wird ab Werk im HANDBREMSEN-Modus ausgeliefert.

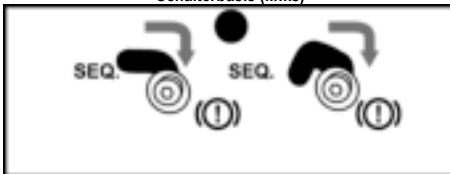
1. Stellen Sie den HANDBREMSEN Kippschalter (3) in die nach unten zeigende Position für den HANDBREMSEN-Modus.

Frontansicht der Schalterbasis

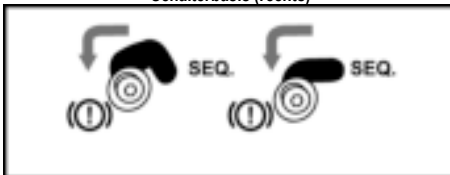


2. Diese Mechanik lässt Sie zwischen dem HANDBREMSEN und dem SEQUENZIELLEN GANGSCHALT-Modus(4) hin- und herschalten. Die Mechanik der der HANDBREMSEN-Position ist werkseitig voreingestellt.

Schalterbasis (links)



Schalterbasis (rechts)



## SO STELLEN SIE DEN MODUS AUF DIE SEQUENZIELLE GANGSCHALTUNG

1. Stellen Sie den **HANDBREMSEN** Kippschalter (3) in die obere Position für den **SEQUENZIELLEN GANGSCHALT**-Modus.

Frontansicht der Schalterbasis



2. Um zwischen den Modi **HANDBREMSE** und **SEQUENZIELLER GANGSCHALTUNG** (4) hin- und herzuschalten, benutzen Sie den 3 mm-Inbusschlüssel (8), um die mechanischen Stellschrauben (2 Schrauben, auf jeder Seite der Schalterbasis) zu lösen.
3. Stellen Sie diese 4 Schrauben (je 2 Schrauben auf jeder Seite der Basis) auf die **SEQ.**-Position.

Schalterbasis (links)



Schalterbasis (rechts)

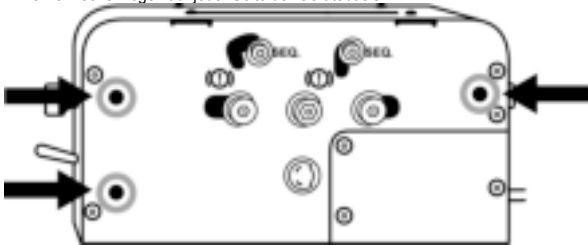


4. Überprüfen Sie die Position dieser 4 Schrauben (je 2 Schrauben auf jeder Seite der Basis) und ziehen Sie diese mit dem 3 mm-Inbusschlüssel (8) fest.

## SO INSTALLIEREN SIE DIE TSS HANDBRAKE

Die TSS HANDBRAKE kann mithilfe der M6-Bohrlöcher an den Seiten und an der Unterseite der Gerätebasis auf verschiedenen Trägermaterialien (separat zu erwerben) befestigt werden:

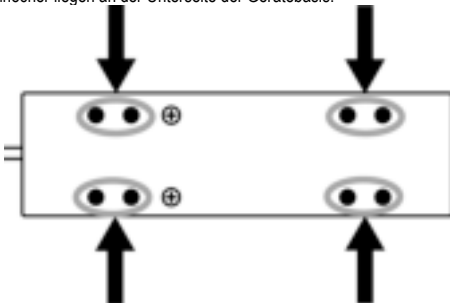
- 3 Bohrlöcher liegen auf jeder Seite der Gerätebasis.



- 3 Bohrlöcher liegen auf der rechten Seite der Gerätebasis.



- 8 Bohrlöcher liegen an der Unterseite der Gerätebasis.



Eine Anleitung für die Cockpit-Installation der TSS HANDBRAKE finden Sie auf <https://support.thrustmaster.com>. Gehen Sie auf Lenkräder / TSS HANDBRAKE und Template - Cockpit Setup.



## LOCKERN BZW. ZIEHEN SIE DIESE SCHRAUBEN NICHT AN

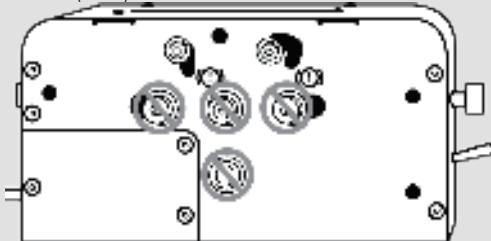


Lockern oder ziehen Sie, mit Ausnahme der Schrauben für die Umschaltmechanik zwischen **HANDBREMSEN-** und **SEQUENZIELLEM GANGSCHALT-Modus (4)**, keine der Schrauben an der Gerätebasis der TSS **HANDBRAKE** an.

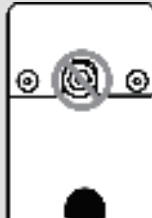
Gerätebasis (links) = lockern bzw. ziehen Sie diese Schrauben niemals an:



Gerätebasis (rechts) = lockern bzw. ziehen Sie diese Schrauben niemals an:



Front- und Rückansicht der Gerätebasis = lockern bzw. ziehen Sie diese Schrauben niemals an:





# INSTALLATIONSANLEITUNG FÜR PC

1. Gehen Sie auf <https://support.thrustmaster.com>, um die aktuellen PC-Treiber herunterzuladen.

Gehen Sie auf Lenkräder / TSS HANDBRAKE, wählen Sie dort „Drivers“ aus.

2. Sobald der Download abgeschlossen ist, führen Sie das Installationsprogramm aus und folgen Sie den Anweisungen auf dem Bildschirm.

3. Wenn Sie dazu vom Installationsprogramm aufgefordert werden, schließen Sie die TSS HANDBRAKE an einem der USB-Anschlüsse Ihres PCs mit dem abnehmbaren DIN USB-Kabel (6) an und schließen Sie die Installation des Treibers ab.

4. Klicken Sie auf „Beenden“, sobald die Installation abgeschlossen ist und starten Sie Ihren Computer neu.

5. Wählen Sie Start / Programme / Thrustmaster / TH8 Shifter / Steuerkonsole, um das Controller-Fenster zu öffnen.

Das Controller-Fenster zeigt nun den Namen **TSS HANDBRAKE Sparco® Mod** an, mit dem Status OK.

6. Klicken Sie auf Eigenschaften, um die TSS HANDBRAKE in der Windows-Steuerkonsole anzuzeigen:




## **Wenn die TSS HANDBRAKE am PC über das abnehmbare DIN USB-Kabel (6) mit einem USB-Anschluss verbunden ist, ist die TSS HANDBRAKE kompatibel:**

- Im HANDBREMSEN-Modus [Progressiv] und SEQUENZIELLEN Gangschalt-Modus [+/-];
- In allen Spielen, die Multi-USB, separate Handbremsen und Gangschalthebel unterstützen;
- Mit allen Rennlenkrädern auf dem Markt.

## **Wenn die TSS HANDBRAKE am PC mit einem abnehmbaren Mini-DIN / auf DIN-Kabel (11) an der Rückseite eines kompatiblen Thrustmaster-Rennlenkrads angeschlossen ist, ist die TSS HANDBRAKE:**

- Nur im SEQUENZIELLEN GANGSCHALT-Modus [+/-] kompatibel;
- kompatibel in allen Spielen (wenn die TSS HANDBRAKE mit den UP- und DOWN-Schaltwippen des Rennlenkrads kombiniert wird);
- nur mit passenden Thrustmaster Rennlenkrad-Basen (TS-PC Racer, T-GT, T300, TS-XW Racer und T) kompatibel.

 **WICHTIG:** Sie müssen die Firmware Ihrer Rennlenkrad-Basis (TS-PC Racer, T-GT, T300, TS-XW Racer und TX) mit der neuesten Version aktualisieren, die unter <https://support.thrustmaster.com/> verfügbar ist, um die TSS HANDBRAKE an die Rennlenkrad-Basis anschließen zu können.

## **Allgemeine Hinweise für den PC:**

- \* Schließen Sie stets das Controller-Fenster durch Klick auf OK, bevor Sie Ihr Spiel starten.
- \* Die Version der Firmware der TSS HANDBRAKE wird im Steuerkonsolen-Tab oben rechts angezeigt.
- \* Wenn Sie sich für eine USB-Verbindung entscheiden, empfehlen wir Ihr Rennlenkrad und die TSS HANDBRAKE direkt über einen USB 2.0-Anschluss (nicht USB 3.0) mit Ihrem PC zu verbinden, ohne einen Adapter zu benutzen.
- In einigen Spielen können Sie 2 TSS HANDBRAKE-Geräte gleichzeitig verwenden:
  - 1 TSS HANDBRAKE im HANDBREMSE-Modus;
  - 1 TSS HANDBRAKE im SEQUENZIELLEN GANGSCHALT-Modus.

## INSTALLATION AUF DER PS4™ UND DER XBOX ONE®

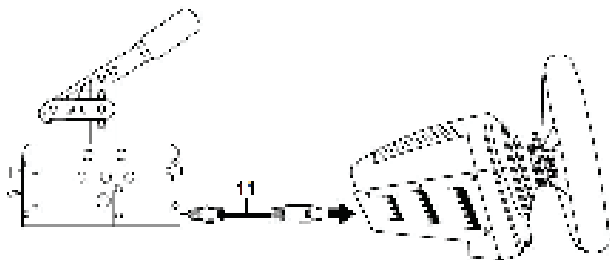
Auf PS4™ und Xbox One® ist die TSS HANDBRAKE mit den folgenden Rennlenkrad-Basen kompatibel:

- Thrustmaster T-GT und T300 auf PS4™
- Thrustmaster TS-XW Racer und TX auf Xbox One®

**! WICHTIG:** Um eine optimale Leistung der TSS HANDBRAKE auf PS4™ und Xbox One® zu gewährleisten, müssen Sie die Firmware Ihres Rennlenkrams (T-GT, T300, TS-XW Racer oder TX) mit der neuesten Version unter <https://support.thrustmaster.com/> aktualisieren.

### Installation:

1. Mittels des abnehmbaren Kabels Mini-DIN auf DIN (**11**) verbinden Sie die TSS HANDBRAKE direkt mit der Mini-DIN-Buchse auf der Rückseite Ihrer Rennlenkrad-Basis.



2. Verbinden Sie Ihr Rennlenkrad mit dem Controller.

SIE SIND JETZT SPIELBEREIT!

### Allgemeine Hinweise für PS4™ und Xbox One®:

- Verwenden und verbinden Sie niemals das abnehmbare DIN auf USB-Kabel (6) auf der PS4™ und der Xbox One®. Die TSS-HANDBRAKE muss immer an einer kompatiblen Thrustmaster Rennlenkrad-Basis und nicht an die Konsole angeschlossen sein.

- Wenn die TSS HANDBRAKE an eine kompatible Thrustmaster Rennlenkrad-Basis angeschlossen ist:

- Der SEQUENZIELLE GANGSCHALT-Modus [+/-] funktioniert in allen Spielen, wenn er mit den UP und DOWN Schaltwippen des Rennlenkrams kombiniert ist.
- Der HANDBREMSEN-Modus [Progressiv] funktioniert in allen Spielen, die die Handbremsen-Funktion unterstützen\*.

\* Eine Liste von PS4™ und Xbox One® Spielen, die mit Handbremsen kompatibel sind, finden Sie auf <https://support.thrustmaster.com/>. Wählen Sie bitte im Abschnitt **Lenkräder TM SIM HUB** oder **TSS Handbrake Sparco® Mod** aus.

## ZUSAMMENFASSUNG DER ANSCHLUSSMÖGLICHKEITEN DER TSS HANDBRAKE JE NACH PLATTFORM

	<b>Anschlussoption der TSS HANDBRAKE</b>
<b>PC</b> (HANDBREMSEN Modus und SEQUENZIELLER GANGSCHALT- Modus)	Zum PC: Verwendung des abnehmbaren USB auf DIN-Steckers <b>(6)</b> . Kompatibel mit allen Rennlenkrädern auf dem Markt.
<b>PC</b> (nur SEQUENZIELLER GANGSCHALT-Modus)	Auf der Rückseite der Thrustmaster Rennlenkrad- Basis verwenden Sie das Kabel Mini-DIN auf DIN <b>(11)</b> .
<b>PS4™</b> (HANDBREMSEN Modus und SEQUENZIELLER GANGSCHALT-Modus)	Auf der Rückseite der Thrustmaster Rennlenkrad- Basis verwenden Sie das Kabel Mini-DIN auf DIN <b>(11)</b> .
<b>XBOX ONE®</b> (HANDBREMSEN Modus und SEQUENZIELLER GANGSCHALT-Modus)	Auf der Rückseite der Thrustmaster Rennlenkrad- Basis verwenden Sie das Kabel Mini-DIN auf DIN <b>(11)</b> .

### SO AKTUALISIEREN SIE DIE FIRMWARE DER TSS HANDBRAKE

Die Firmware der TSS HANDBRAKE-Basis kann aktualisiert werden (d.h. diese kann mit einer aktuelleren Version versehen werden, die über Produktverbesserungen verfügt).

Um die Firmwareversion der TSS HANDBRAKE anzuzeigen und diese ggf. zu aktualisieren: greifen Sie mit Ihrem PC auf <https://support.thrustmaster.com> zu, wählen Sie unter **Lenkräder / TSS HANDBRAKE** den Abschnitt **Firmware** aus und folgen Sie den Anweisungen während des Download- und Installationsvorganges.

## ERWEITERTE SOFTWAREKALIBRIERUNG

Der Kalibrierungsvorgang der TSS HANDBRAKE wird automatisch ausgeführt.

Eine erweiterte Anwendung für Kalibrierungssoftware unter PC finden Sie auch unter <https://support.thrustmaster.com>; wählen Sie Lenkräder / TSS HANDBRAKE und dann Software aus. Diese Software erlaubt Ihnen folgende Anpassungen:

- Analoges Fahren im HANDBREMSEN-Modus
- Analoges Fahren im SEQUENZIELLEN GANGSCHALT-Modus.

**Nachdem die Einstellungen vorgenommen wurden, werden diese sofort im internen Speicher der TSS HANDBRAKE abgespeichert und sind demnach in allen Ihren Spielen verfügbar, egal ob auf PC, PS4™ oder Xbox One®.**

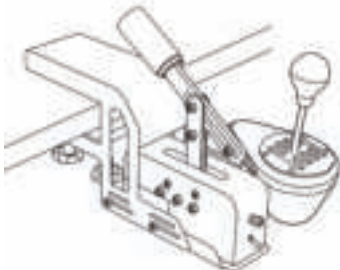
### **TIPPS & TRICKS (werden in dieser Anleitung nicht erläutert)**

Verschiedene Tipps und Tricks finden Sie auf der Website <https://support.thrustmaster.com> unter Lenkräder/ TSS HANDBRAKE.

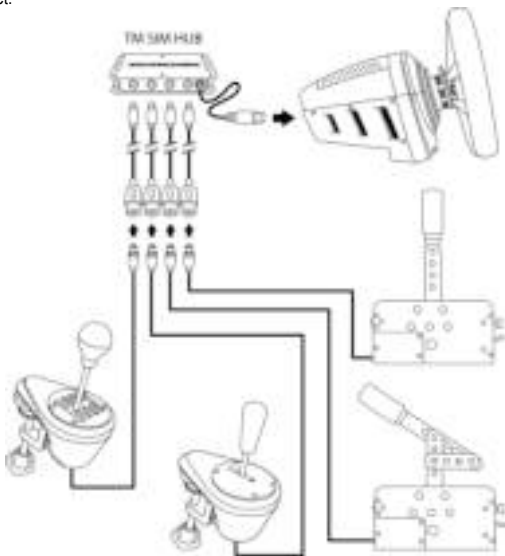
## ECO-SYSTEM

Die TSS HANDBRAKE ist auch mit anderen separat erhältlichen Zubehörteilen kompatibel:

\* Die **TM RACING CLAMP**: Eine stabile Halterung, mit der Spieler ihre TSS HANDBRAKE und ihre TH8A Gangschaltung ohne Cockpit direkt auf einem Tisch oder Schreibtisch befestigen können.



\* Der **TM SIM HUB**: ein Hub, mit dem Benutzer bis zu vier Zubehörteile gleichzeitig direkt an den Mini-DIN-Anschluss anschließen können, der sich auf der Rückseite kompatibler Thrustmaster Rennlenkbasen befindet.



## **Kunden-Garantie-Information**

Guillemot Corporation S.A. mit Hauptfirmensitz in Place du Granier, B.P. 97143, 35571 Chantepie, France (fortfolgend "Guillemot") garantiert Kunden weltweit, daß dieses Thrustmaster Produkt frei von Mängeln in Material und Verarbeitung für eine Gewährleistungsfrist ist, die mit der Frist für eine Mängelrüge bezüglich des Produktes übereinstimmt. In den Ländern der Europäischen Union entspricht diese einem Zeitraum von zwei (2) Jahren ab Kaufdatum des Thrustmaster Produktes. In anderen Ländern entspricht die Gewährleistungsfrist der zeitlichen Begrenzung für eine Mängelrüge bezüglich des Thrustmaster Produktes in Übereinstimmung mit anwendbarem Recht des Landes, in dem der Kunde zum Zeitpunkt des Erwerbs eines Thrustmaster Produktes wohnhaft ist. Sollte eine entsprechende Regelung in dem entsprechenden Land nicht existieren, umfasst die Gewährleistungspflicht einen Zeitraum von einem (1) Jahr ab dem originären Kaufdatum des Thrustmaster Produktes.

Sollten bei dem Produkt innerhalb der Gewährleistungsfrist Defekte auftreten, kontaktieren Sie unverzüglich den technischen Kundendienst, der die weitere Vorgehensweise anzeigt. Wurde der Defekt bestätigt, muß das Produkt an die Verkaufsstelle (oder an eine andere Stelle, je nach Maßgabe des technischen Kundendienstes) retourniert werden.

Im Rahmen dieser Garantie sollte das defekte Produkt des Kunden, je nach Entscheidung des technischen Kundendienstes, entweder ausgetauscht oder repariert werden. Sollte während der Garantiezeit das Thrustmaster Produkt einer derartigen Instandsetzung unterliegen und das Produkt während eines Zeitraums von mindestens sieben (7) Tagen nicht benutzbar sein, wird diese Zeit der restlichen Garantiezeit hinzugefügt. Diese Frist läuft ab dem Zeitpunkt, an dem der Wunsch des Verbrauchers bezüglich einer Intervention vorliegt oder ab dem Tag, an dem das fragliche Produkt zur Instandsetzung zur Verfügung steht, falls das Datum, an dem das Produkt zur Instandsetzung zur Verfügung steht, dem Datum des Antrags auf Intervention nachfolgt. Wenn nach geltendem Recht zulässig, beschränkt sich die volle Haftung von Guillemot und ihrer Tochtergesellschaften auf die Reparatur oder den Austausch des Thrustmaster Produktes (inklusive Folgeschäden). Wenn nach geltendem Recht zulässig, lehnt Guillemot alle Gewährleistungen der Marktgängigkeit oder Eignung für einen bestimmten Zweck ab.

Der Gewährleistungsanspruch verfällt: (1) Falls das Produkt modifiziert, geöffnet, verändert oder ein Schaden durch unsachgemäßen oder missbräuchlichen Gebrauch hervorgerufen wurde, sowie durch Fahrlässigkeit, einen Unfall, Verschleiß oder irgendeinem anderen Grund – aber nicht durch Material- oder Herstellungsfehler (einschließlich, aber nicht beschränkt auf, die Kombination der Thrustmaster Produkte mit ungeeigneten Elementen, insbesondere Netzteile, Akkus, Ladegeräte, oder andere Elemente, die von Guillemot für dieses Produkt nicht mitgeliefert wurden); (2) Falls das Produkt für eine andere Nutzung als zum privaten Hausgebrauch, einschließlich für professionelle oder kommerzielle Zwecke (z. B. Spielhallen, Training, Wettkämpfe) verwendet wird; (3) Im Falle der Nichteinhaltung der durch den technischen Support erteilten Anweisungen; (4) Durch Software. Die besagte Software ist Gegenstand einer speziellen Garantie; (5) Bei Verbrauchsmaterialien (Elemente, die während der Produktlebensdauer ausgetauscht werden, wie z. B. Einwegbatterien, Ohrpolster für ein Audioheadset oder für Kopfhörer); (6) Bei Accessoires (z. B. Kabel, Etuis, Taschen, Beutel, Handgelenk-Riemen); (7) Falls das Produkt in einer öffentlichen Versteigerung verkauft wurde. Diese Garantie ist nicht übertragbar.

Die Rechte des Kunden in Übereinstimmung mit anwendbarem Recht bezüglich des Verkaufs auf Konsumgüter im Land der/der Kunden/Kundin wird durch diese Garantie nicht beeinträchtigt.

### Zusätzliche Gewährleistungsbestimmungen

Während der Garantiezeit bietet Guillemot grundsätzlich keine Ersatzteile an, da der technische Kundendienst der einzige autorisierte Partner zum Öffnen und/oder Instandsetzen jedweden Thrustmaster-Produkts ist (mit Ausnahme von irgendwelchen Instandsetzungsprozeduren, die der Kunde nach Maßgabe des technischen Kundendienstes und durch schriftliche Instruktionen sowie der Zurverfügungstellung des/der eventuell erforderlichen Ersatzteil(s)(e) selbst in der Lage ist durchzuführen – zum Beispiel aufgrund der Einfachheit und einer nicht erforderlichen Geheimhaltung des Instandsetzungsverfahrens).

Aufgrund seiner Innovationszyklen und um sein Know-how und seine Geschäftsgeheimnisse zu schützen, bietet Guillemot grundsätzlich keine Instandsetzungs-Benachrichtigung oder Ersatzteile für alle Thrustmaster Produkte an, deren Garantiezeit abgelaufen ist.

### Haftung

Wenn nach dem anwendbaren Recht zulässig, lehnen Guillemot Corporation S.A. (fortfolgend "Guillemot") und ihre Tochtergesellschaften jegliche Haftung für Schäden, die auf eine oder mehrere der folgenden Ursachen zurückzuführen sind, ab: (1) das Produkt wurde modifiziert, geöffnet oder geändert; (2) Nichtbefolgung der Montageanleitung; (3) unangebrachte Nutzung, Fahrlässigkeit, Unfall (z. B. ein Aufprall); (4) normalem Verschleiß; (5) Die Verwendung des Produkts für jedwede andere Nutzung als zum privaten Hausgebrauch, einschließlich professionelle oder kommerzielle Zwecke (z. B. Spielhallen, Training, Wettkämpfe). Wenn nach anwendbarem Recht zulässig, lehnen Guillemot und seine Niederlassungen jegliche Haftung für Schäden, die nicht auf einen Material- oder Herstellungsfehler in Bezug auf das Produkt beruhen (einschließlich, aber nicht beschränkt auf, etwaige Schäden, die direkt oder indirekt durch Software oder durch die Kombination der Thrustmaster Produkte mit ungeeigneten Elementen, insbesondere Netzteile, Akkus, Ladegeräte, oder andere Elemente, die von Guillemot für dieses Produkt nicht geliefert wurden), ab.

**THRUSTMASTER®**

**TECHNISCHER SUPPORT**

<https://support.thrustmaster.com>





## **COPYRIGHT**

©2019 Guillemot Corporation S.A. Alle Rechte vorbehalten. Thrustmaster® ist ein eingetragenes Warenzeichen der Guillemot Corporation S.A. PlayStation® ist eine eingetragene Marke von Sony Interactive Entertainment Inc. Windows® ist eine eingetragene Marke von Microsoft Corporation in den Vereinigten Staaten und/oder anderen Ländern. Sparco ist ein eingetragenes Warenzeichen der Sparco S.p.A. Alle anderen Handelsmarken sind im Besitz Ihrer jeweiligen Eigentümer. Illustrationen nicht verbindlich. Inhalte, Design und Spezifikationen können ohne vorherige Ankündigung geändert werden und können von Land zu Land unterschiedlich sein. Hergestellt in China.

## **Hinweise zum Umweltschutz**



In der Europäischen Union: Dieses Produkt darf nach Ende seiner Lebensdauer nicht über den Hausmüll entsorgt werden, sondern muss an einem Sammelpunkt für das Recycling von elektrischen und elektronischen Geräten abgegeben werden.

Das Symbol auf dem Produkt, der Gebrauchsanleitung oder der Verpackung weist darauf hin.

Die Werkstoffe sind gemäß ihrer Kennzeichnung wiederverwertbar. Mit der Wiederverwertung, der stofflichen Verwertung oder anderen Formen von Altgeräten leisten Sie einen wichtigen Beitrag zum Schutz unserer Umwelt. Bitte erfragen Sie bei der Gemeindeverwaltung die zuständige Entsorgungsstelle.

Für alle anderen Länder: Bitte beachten Sie die lokalen Entsorgungsrichtlinien/-Gesetze bezüglich elektrischen und elektronischen Equipments.

Wichtige Informationen. Die Farben und Verzierungen können abweichen.  
Plastikhalterungen und Aufkleber bitte vor der Nutzung des Produktes entfernen.

**[www.thrustmaster.com](http://www.thrustmaster.com)**

Nur in der EU und der Türkei anwendbar

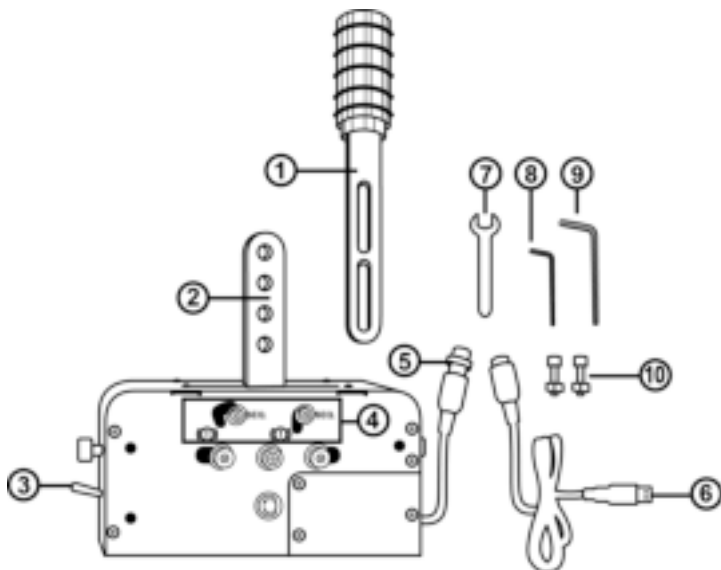


# TSS HANDBRAKE+

## sparco® Mod

PC – PS4™ – Xbox One®

Handleiding



### TECHNISCHE SPECIFICATIES

- 1 Afneembare hendel (*standaard niet geïnstalleerd*)
- 2 Armen voor bevestiging hendel
- 3 Keuzeschakelaar HANDREM / SEQUENTIËLE SCHAKELPOOK
- 4 Mechanisch schakelsysteem (voor wisselen tussen modus HANDREM en modus SEQUENTIËLE SCHAKELPOOK)
- 5 DIN-kabel en vrouwjesconnector op voet
- 6 Losse DIN/USB-mannetjeskabel
- 7 13 mm steeksleutel
- 8 3 mm inbussleutel
- 9 6 mm inbussleutel
- 10 Twee M8-inbusbouten + twee M8-moeren
- 11 Losse mini-DIN/DIN-kabel

## WAARSCHUWING

Lees deze handleiding zorgvuldig door voordat u dit product gebruikt. Bewaar deze handleiding om hem eventueel op een later tijdstip nogmaals te kunnen raadplegen.



### **Waarschuwing – Elektrische schok**

- \* Gebruik en bewaar dit product op een droge plek, uit de zon en stofvrij.
- \* Let bij het insteken van connectors op de juiste wijze van insteken.
- \* Trek nooit te hard aan een kabel of connector, en voorkom het knikken van kabels.
- \* Mors geen vloeistoffen op het product en/of de connectors.
- \* Veroorzaak geen kortsluiting.
- \* Haal dit product niet uit elkaar (behalve voor eventuele in deze handleiding beschreven aanpassingen), verbrand het niet en stel het niet bloot aan hoge temperaturen.



### **Waarschuwing – Letsel ten gevolge van herhaalde bewegingen**

Het gebruik van een versnellingspook of handrem kan pijn in de spieren of gewrichten veroorzaken. U kunt problemen vermijden door het volgende in acht te nemen:

- \* Vermijd te lang gamen.
- \* Neem na elk uur gamen een pauze van 10 of 15 minuten.
- \* Bij last van vermoeidheid of pijn in handen, polsen of armen, moet u stoppen met gamen en een paar uur rusten voordat er verder kan worden gamed.
- \* Als de hierboven beschreven symptomen van pijn of last blijven aanhouden tijdens het gamen, moet u stoppen met gamen en een huisarts raadplegen.
- \* Controleer dat de voet van de TSS HANDBRAKE goed en correct vastzit zoals beschreven in deze handleiding.



### **Waarschuwing – Beknellingsgevaar van sleuven in schakelplaat**

- \* Houd de schakelplaten buiten het bereik van kinderen.
- \* Steek tijdens het gamen nooit een vinger of een ander lichaamsdeel in de sleuven van de schakelplaten van de TSS HANDBRAKE.

**NOOIT**

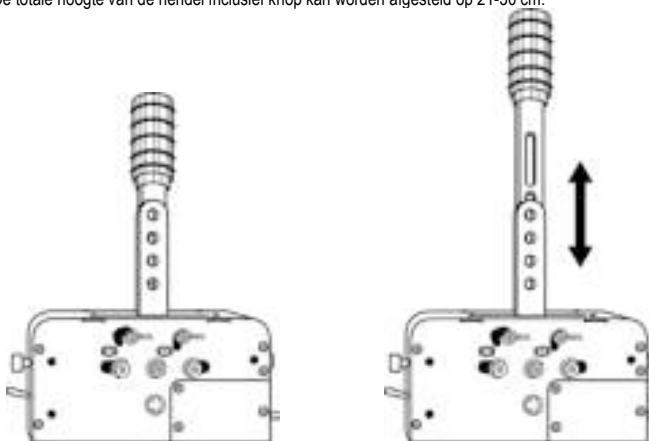


## AFNEEMBARE HENDEL (1) INSTALLEREN OP BEVESTIGINGSARMEN (2)

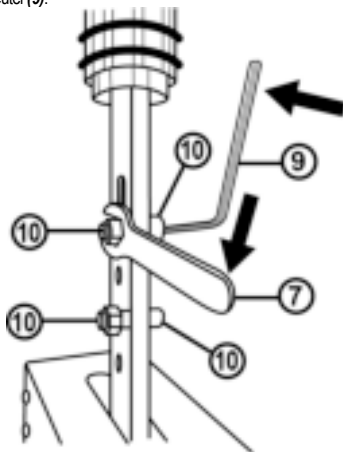
1. Schuif de afneembare hendel (1) tussen de bevestigingsarmen (2).

2. Monteer de hendel op de gewenste hoogte.

De totale hoogte van de hendel inclusief knop kan worden afgesteld op 21-30 cm.



3. Bevestig de hendel aan de armen met behulp van de twee M8-inbusbouten (10), twee M8-moeren (10) en de 6 mm inbusleutel (9).

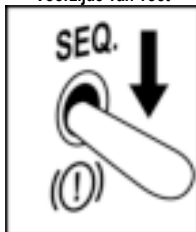


## MODUS HANDREM CONFIGUREREN

De TSS HANDBRAKE staat af fabriek standaard geconfigureerd in de modus HANDREM.

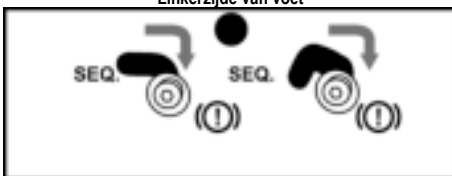
1. De selectieschakelaar HANDREM / SCHAKELPOOK (3) staat omlaag in de stand HANDREM.

Voorzijde van voet

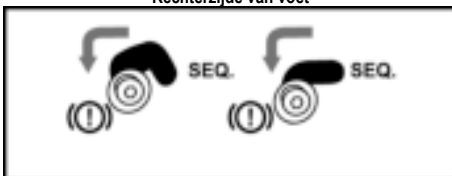


2. Het mechanisch systeem waarmee u wisselt tussen de modus HANDREM en de modus SEQUENTIËLE SCHAKELPOOK (4) is vooraf ingesteld op de stand HANDREM.

Linkerzijde van voet



Rechterzijde van voet



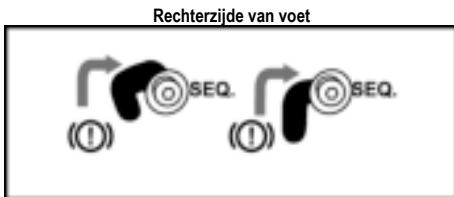
## MODUS SEQUENTIËLE SCHAKELPOOK CONFIGUREREN

1. Zet de selectieschakelaar **HANDREM / SCHAKELPOOK (3)** omhoog in de stand **SEQUENTIËLE SCHAKELPOOK**.



2. Wissel van de modus **HANDREM** naar de modus **SEQUENTIËLE SCHAKELPOOK (4)** door met de 3 mm inbussleutel **(8)** de bouten van het mechanisch systeem een beetje los te draaien (twee bouten, één aan elke zijde van de voet).

3. Verplaats deze vier bouten (twee bouten aan elke kant van de voet) naar de positie **SEQ.**

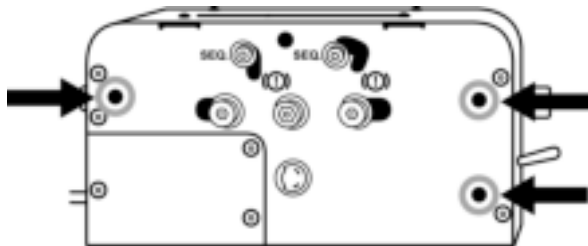
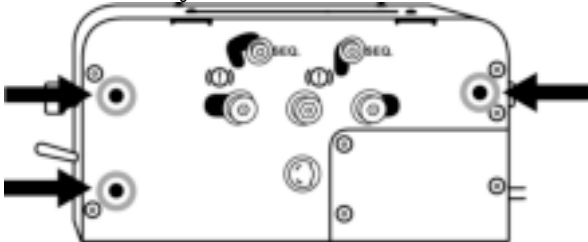


4. Controleer dat deze vier bouten (twee aan elke kant van de voet) op exact de goede positie zitten en draai ze daarna vast met de 3 mm inbussleutel **(8)**.

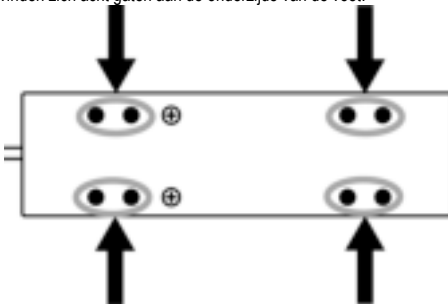
## TSS HANDBRAKE INSTALLEREN

De TSS HANDBRAKE kan aan een aantal verschillende compatibele steunen (worden apart verkocht) worden bevestigd met behulp van de M6-schroefdraadgaten die zich aan elke kant van de voet en onder de voet bevinden:

- Er bevinden zich drie gaten aan elke kant van de voet.



- Er bevinden zich acht gaten aan de onderzijde van de voet.



De sjabloon voor een TSS HANDBRAKE cockpitinstallatie is beschikbaar op <https://support.thrustmaster.com>. Selecteer Racesturen / TSS HANDBRAKE en daarna Template - Cockpit Setup.



**DEZE BOUTEN MOGEN NIET LOSSER OF**

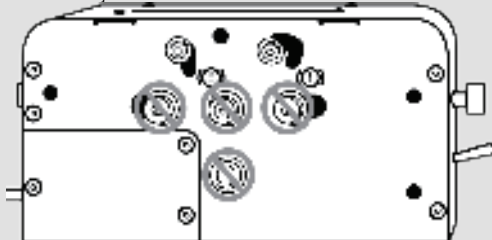
**VASTER WORDEN GEDRAAID** 

De enige bouten die u los of vast mag draaien, zijn de bouten van het mechanisch systeem waarmee u wisselt tussen de modus HANDREM en de modus SEQUENTIËLE SCHAKELPOOK (4). Draai nooit bouten los of vast op de voet van de TSS HANDBRAKE.

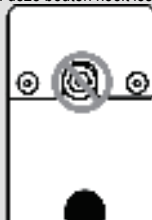
Linkerzijde van de voet = Draai deze bouten nooit los of vast:



Rechterzijde van de voet = Draai deze bouten nooit los of vast:



Voor- en achterzijde van de voet = Draai deze bouten nooit los of vast:





## INSTALLATIE-INSTRUCTIES VOOR DE PC

1. Ga naar <https://support.thrustmaster.com> om de PC-drivers te downloaden.  
Selecteer Racesturen / TSS HANDBRAKE en vervolgens Drivers.
2. Start het installatieprogramma nadat de download is voltooid en volg de instructies op het scherm.
3. Sluit, zodra het installatieprogramma dit vraagt, de USB-stekker van de TSS HANDBRAKE aan op een USB-poort van uw PC met behulp van de losse DIN/USB-kabel (6) en voltooi het installeren van de driver.
4. Klik nadat de installatie gereed is op Voltooiën en start de computer opnieuw op.
5. Kies Start / Alle programma's / Thrustmaster / TH8 Shifter / Configuratiescherm om het venster Spelbesturingen te openen.

Het venster Spelbesturingen geeft de naam **TSS HANDBRAKE Sparco® Mod** met de status OK.

6. Klik op Eigenschappen om de TSS HANDBRAKE te bekijken in het Windows-configuratiescherm



## Op de PC, als de TSS HANDBRAKE is aangesloten op een USB-poort met behulp van de losse DIN/USB-mannetjeskabel (6), is de TSS HANDBRAKE compatibel:

- met de modus HANDREM [progressief] en de modus SEQUENTIËLE SCHAKELPOOK [+/-],
- in alle games die MULTI-USB, afzonderlijke handremmen en schakelpoken ondersteunen,
- met alle racesturen op de markt.

## Op de PC, als de TSS HANDBRAKE is aangesloten op de achterzijde van een compatibele Thrustmaster-racestuurvoet met behulp van de losse mini-DIN/DIN-kabel (11), is de TSS HANDBRAKE compatibel:

- alleen met de modus SEQUENTIËLE SCHAKELPOOK [+/-],
- in alle games (omdat de TSS HANDBRAKE is gecombineerd met de UP- en DOWN-schakelflippers van het racestuur),
- alleen met compatibele Thrustmaster-racestuurvoeten (TS-PC Racer, T-GT, T300, TS-XW Racer en TX).

**!** **BELANGRIJK:** om een TSS HANDBRAKE te kunnen verbinden met een uw racestuurvoet, moet u de firmware van uw racestuurvoet (TS-PC Racer, T-GT, T300, TS-XW Racer en TX) bijwerken met de de meeste recente firmwareversie die beschikbaar is op <https://support.thrustmaster.com/>.

## Algemene opmerkingen voor PC-gebruikers

\* Denk er aan om het venster Spelbesturingen altijd volledig te sluiten door op OK te klikken voordat u een game start.

\* De firmwareversie van de TSS HANDBRAKE wordt weergegeven in de rechterbovenhoek op de tabbladen van het configuratiescherm.

\* Als u een USB-verbinding wilt gebruiken, adviseren we u het racestuur en de TSS HANDBRAKE rechtstreeks aan te sluiten op een USB 2.0-poort (geen USB 3.0) van de PC en niet via een USB-hub.

\* In sommige games kunt u twee TSS HANDBRAKE apparaten tegelijkertijd gebruiken:

- Eén TSS HANDBRAKE geconfigureerd in de modus HANDREM,
- Eén TSS HANDBRAKE geconfigureerd in de modus SEQUENTIËLE SCHAKELPOOK.

## INSTALLATIE OP EEN PS4™ OF XBOX ONE®

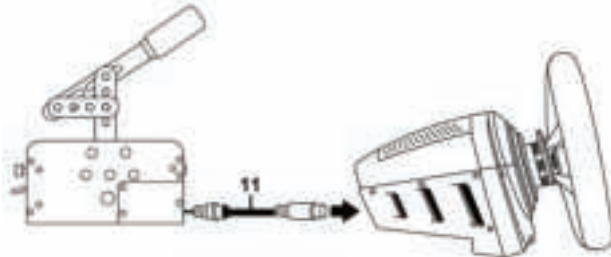
Op de PS4™ en de Xbox One® is de TSS HANDBRAKE compatibel met de volgende racestuurvoeten:

- Thrustmaster T-GT en T300 op de PS4™
- Thrustmaster TS-XW Racer en TX op de Xbox One®

**!** **BELANGRIJK:** voor optimale prestaties van de TSS HANDBRAKE op de PS4™ en Xbox One®, moet u de firmware van uw racestuurvoet (T-GT, T300, TS-XW Racer of TX) bijwerken met de meest recente firmwareversie beschikbaar op <https://support.thrustmaster.com/>.

### Installatie:

1. Gebruik de losse mini-DIN/DIN-kabel (**11**) om de TSS HANDBRAKE rechtstreeks aan te sluiten op de mini-DIN-vrouwjesconnector achterop uw racestuurvoet.



2. Sluit uw racestuur aan op de console.

HET GAMEN KAN NU BEGINNEN!

### Algemene opmerkingen bij gebruik op een PS4™ of XBOX ONE®

- De losse DIN/USB-mannetjeskabel (**6**) mag nooit worden gebruikt op een PS4™ of Xbox One®. De TSS HANDBRAKE moet altijd zijn aangesloten op een compatibele Thrustmaster-racestuurvoet en niet op een console.
  - Als de TSS HANDBRAKE is aangesloten op een compatibele Thrustmaster-racestuurvoet:
    - modus SEQUENTIËLE SCHAKELPOOK [+/-] werkt in alle games omdat deze is toegewezen aan de UP- en DOWN-schakelflippers.
    - modus HANDREM [progressief] werkt in alle games die de handremfunctie ondersteunen\*.
- \* *Overzicht van PS4™- en Xbox One®-games compatibel met handremmen is te vinden op <https://support.thrustmaster.com/>. Selecteer **TM SIM HUB** of **TSS Handbrake Sparco® Mod** in de sectie **Racesturen**.*

## TSS HANDBRAKE OVERZICHT VAN AANSLUITINGEN PER MOGELIJK PLATFORM

	<b>TSS HANDBRAKE aansluiting</b>
<b>PC</b> (modus HANDREM en modus SEQUENTIËLE SCHAKELPOOK)	Met de PC. Gebruik de losse DIN/USB- mannetjeskabel <b>(6)</b> . Compatibel met alle racesturen op de markt.
<b>PC</b> (alleen modus SEQUENTIËLE SCHAKELPOOK)	Met de achterzijde van een compatibele Thrustmaster-racestuurvoet. Gebruik de losse mini- DIN/DIN-kabel <b>(11)</b> .
<b>PS4™</b> (modus HANDREM en modus SEQUENTIËLE SCHAKELPOOK)	Met de achterzijde van een compatibele Thrustmaster-racestuurvoet. Gebruik de losse mini- DIN/DIN-kabel <b>(11)</b> .
<b>XBOX ONE™</b> (modus HANDREM en modus SEQUENTIËLE SCHAKELPOOK)	Met de achterzijde van een compatibele Thrustmaster-racestuurvoet. Gebruik de losse mini- DIN/DIN-kabel <b>(11)</b> .

## FIRMWARE VAN DE TSS HANDBRAKE BIJWERKEN

De firmware in de voet van de TSS HANDBRAKE kan worden bijgewerkt naar een nieuwere en verbeterde versie wanneer een dergelijke versie beschikbaar komt.

U kunt als volgt de firmwareversie van uw TSS HANDBRAKE bekijken en indien gewenst bijwerken: ga op de PC naar <https://support.thrustmaster.com>, selecteer **Racesturen / TSS HANDBRAKE**, selecteer **Firmware** en volg de instructies en de procedure voor downloaden en installeren.

## GEAVANCEERDE KALIBRATIESOFTWARE

De TSS HANDBRAKE wordt automatisch gekalibreerd.

Voor de PC is ook een geavanceerd kalibratieprogramma beschikbaar op <https://support.thrustmaster.com>. Selecteer Racesturen / TSS HANDBRAKE en vervolgens Software. Met dit programma kunt u het volgende aanpassen:

- Analoge slag in de modus HANDREM,
- Analoge slag in modus SEQUENTIËLE SCHAKELPOOK.

**Elke instelling die wordt gewijzigd, wordt onmiddellijk opgeslagen in het interne geheugen van de TSS HANDBRAKE en wordt daarmee van kracht in al uw games: op de PC, de PS4™ of de Xbox One®.**

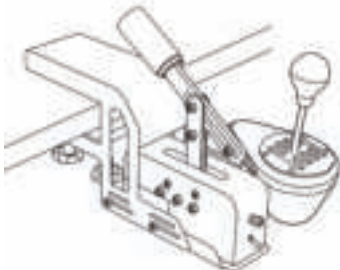
## TIPS & HINTS (niet vermeld in deze handleiding)

Op de website <https://support.thrustmaster.com> zijn in de sectie Racesturen / TSS HANDBRAKE diverse tips en hints te vinden.

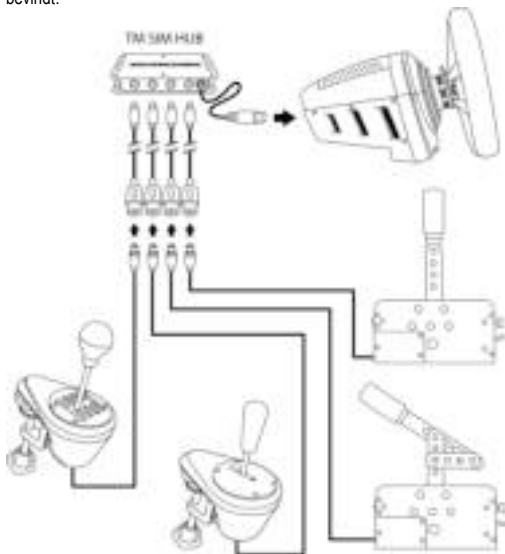
## ECOSYSTEEM

De TSS HANDBRAKE is ook compatibel met andere accessoires die apart worden verkocht:

\* De **TM RACING CLAMP**: een stevige montagebeugel waarmee gamers hun TSS Handbrake en hun TH8A-schakelpook op een tafel of werkblad kunnen bevestigen zonder een cockpit nodig te hebben.



\* De **TM SIM HUB**: een hub waarmee gamers tot vier accessoires gelijktijdig rechtstreeks kunnen aansluiten op de mini-DIN-connector die zich achter op compatibele Thrustmaster-racestuurvoeten bevindt.



## **INFORMATIE MET BETREKKING TOT KOPERSGARANTIE**

Wereldwijd garandeert Guillemot Corporation S.A., het statutair adres gevestigd aan de Place du Granier, B.P. 97143, 35571 Chantepie, Frankrijk, (hierna te noemen "Guillemot") aan de koper dat dit Thrustmaster-product vrij zal zijn van materiaal- en fabricagefouten gedurende een garantieperiode gelijk aan de tijd maximaal vereist om een restitutie/vervanging voor dit product te claimen. In landen van de Europese Unie komt dit overeen met een periode van twee (2) jaar vanaf het moment van levering van het Thrustmaster-product. In andere landen komt de garantieperiode overeen met de tijd maximaal vereist om een restitutie/vervanging voor dit Thrustmaster-product te claimen zoals wettelijk is vastgelegd in het land waarin de koper woonachtig was op de datum van aankoop van het Thrustmaster-product. Indien een dergelijk claimrecht niet wettelijk is vastgelegd in het betreffende land, geldt een garantieperiode van één (1) jaar vanaf datum aankoop van het Thrustmaster-product.

Indien u in de garantieperiode een defect meent te constateren aan dit product, neem dan onmiddellijk contact op met Technical Support die u zal informeren over de te volgen procedure. Als het defect wordt bevestigd, dient het product te worden geretourneerd naar de plaats van aankoop (of een andere locatie die wordt opgegeven door Technical Support).

Binnen het gestelde van deze garantie wordt het defecte product van de koper gerepareerd of vervangen, zulks ter beoordeling van Technical Support. Indien het Thrustmaster-product tijdens de garantieperiode is onderworpen aan een dergelijk herstel, wordt elke periode van ten minste zeven (7) dagen waarin het product niet in gebruik is, opgeteld bij de resterende garantieperiode (deze periode loopt vanaf de datum van verzoek van de consument voor interventie of vanaf de datum waarop het product in kwestie beschikbaar is gesteld voor herstel als de datum waarop het product ter beschikking wordt gesteld voor herstel later is dan de datum van het verzoek om interventie). Indien toegestaan door van toepassing zijnde wetgeving, beperkt de volledige aansprakelijkheid van Guillemot en haar dochterondernemingen (inclusief de aansprakelijkheid voor vervolgschade) zich tot het repareren of vervangen van het Thrustmaster-product. Indien toegestaan door van toepassing zijnde wetgeving, wijst Guillemot elke garantie af met betrekking tot verhandelbaarheid of geschiktheid voor enig doel.

Deze garantie is niet van kracht: (1) indien het product aangepast, geopend of gewijzigd is, of beschadigd is ten gevolge van oneigenlijk of onvoorzichtig gebruik, verwaarlozing, een ongeluk, normale slijtage, of enige andere oorzaak die niet gerelateerd is aan een materiaal- of fabricagefout (inclusief maar niet beperkt tot het combineren van het Thrustmaster-product met enig ongeschikt element waaronder in het bijzonder voedingsadapters, oplaadbare batterijen, opladers of enig ander element niet geleverd door Guillemot voor dit product); (2) als het product is gebruikt voor enig ander doel dan thuisgebruik, zoals maar niet exclusief een professioneel of commercieel doel (bijvoorbeeld game rooms, training, wedstrijden); (3) indien u zich niet houdt aan de instructies zoals verstrekt door Technical Support; (4) op software die onder een specifieke garantie valt; (5) op verbruiksartikelen (elementen die tijdens de levensduur van het product worden vervangen zoals bijvoorbeeld batterijen of pads van een headset of koptelefoon); (6) op accessoires (zoals bijvoorbeeld kabels, behuizingen, hoesjes, etuis, draagtassen of polsbandjes); (7) indien het product werd verkocht op een openbare veiling.

Deze garantie is niet overdraagbaar.

De wettelijke rechten van de koper die in zijn/haar land van toepassing zijn op de verkoop van consumentenproducten worden op generlei wijze door deze garantie beperkt.

### **Aanvullende garantiebepalingen**

Gedurende de garantieperiode zal Guillemot in principe nooit reserveonderdelen leveren omdat Technical Support de enige partij is die bevoegd is een Thrustmaster-product te openen en/of te herstellen (met uitzondering van een herstelprocedure die de klant door Technical Support gevraagd wordt uit te voeren met behulp van schriftelijke instructies – omdat deze procedure bijvoorbeeld eenvoudig is en het herstelproces niet vertrouwelijk is – en door het verstrekken aan de consument van de benodigde onderdelen, indien van toepassing).

Gezien de innovatiecycli en om haar knowhow en handelsgeheimen te beschermen, zal Guillemot in principe nooit een herstelbeschrijving of reserveonderdelen verstrekken voor een Thrustmaster-product waarvan de garantieperiode is verstreken.

### **Aansprakelijkheid**

Indien toegestaan door van toepassing zijnde wetgeving, wijzen Guillemot Corporation S.A. (hierna te noemen "Guillemot") en haar dochterondernemingen alle aansprakelijkheid af voor enige schade veroorzaakt door één van de volgende oorzaken: (1) indien het product aangepast, geopend of gewijzigd is; (2) de montage-instructies niet zijn opgevolgd; (3) oneigenlijk of onvoorzichtig gebruik, verwaarlozing, een ongeluk (bijvoorbeeld stoten); (4) normale slijtage; (5) het gebruik van het product voor enig ander doel dan thuisgebruik, zoals maar niet exclusief een professioneel of commercieel doel (bijvoorbeeld game-rooms, training, wedstrijden). Indien toegestaan onder van toepassing zijnde wetgeving, wijzen Guillemot en haar dochterondernemingen alle aansprakelijkheid af voor enige schade aan dit product niet gerelateerd aan een materiaal- of fabricagefout (inclusief maar niet beperkt tot enige schade direct of indirect veroorzaakt door enige software, of door het combineren van het Thrustmaster-product met enig ongeschikt element waaronder in het bijzonder voedingsadapters, oplaadbare batterijen, opladers of enig ander element niet geleverd door Guillemot voor dit product).

**THRUSTMASTER®**

**TECHNISCHE ONDERSTEUNING**

<https://support.thrustmaster.com/>





## COPYRIGHT

© 2019 Guillemot Corporation S.A.. Alle rechten voorbehouden. Thrustmaster® is een geregistreerd handelsmerk van Guillemot Corporation S.A. PlayStation® is een geregistreerd handelsmerk van Sony Interactive Entertainment, Inc. Windows® is een geregistreerd handelsmerk van Microsoft Corporation in de Verenigde Staten en/of andere landen. Sparco is een geregistreerd handelsmerk van Sparco S.p.A.. Alle andere handelsmerken zijn het eigendom van hun respectieve eigenaren. Afbeeldingen zijn niet bindend. Inhoud, ontwerp en specificaties kunnen zonder kennisgeving vooraf worden gewijzigd en kunnen per land verschillen. Geproduceerd in China.

## AANBEVELINGEN VOOR DE BESCHERMING VAN HET MILIEU



In de Europese Unie: Gooi dit product na het einde van de levensduur niet weg met het normale afval, maar breng het naar het door uw gemeente aangewezen inzamelpunt voor elektrische en/of computerapparatuur.

Ter herinnering is hiertoe op het product, de gebruikshandleiding of de verpakking een symbool aangebracht.

De meeste materialen kunnen worden gerecycled. Door recycling en andere methoden voor verantwoorde verwerking van afgedankte elektrische en elektronische apparaten kunt u een belangrijke bijdrage leveren aan de bescherming van het milieu.

Neem contact op met uw gemeente voor informatie over een inzamelpunt bij u in de buurt.

In alle andere landen: houd u aan de plaatselijk milieuwetgeving voor elektrische en elektronische apparaten.

Bewaar deze informatie. De kleuren en decoraties kunnen variëren.

Plastic bevestigingen en hechtmaterialen moeten van het product worden verwijderd voordat het wordt gebruikt.

[www.thrustmaster.com](http://www.thrustmaster.com)

*\*Alleen van toepassing in de EU en Turkije*

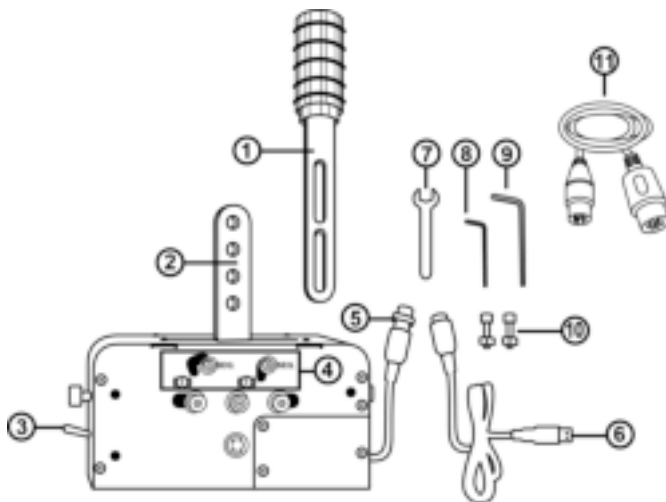


# TSS HANDBRAKE+

## sparco® Mod

PC – PS4™ – Xbox One®

Manuale d'uso



### CARATTERISTICHE TECNICHE

- |   |                                                                                                           |    |                                   |
|---|-----------------------------------------------------------------------------------------------------------|----|-----------------------------------|
| 1 | Leva rimovibile ( <i>non preinstallata</i> )                                                              | 6  | Cavo rimovibile DIN maschio / USB |
| 2 | Braccia di attacco della leva                                                                             | 7  | Chiave inglese da 13 mm           |
| 3 | Selettore FRENO A MANO / CAMBIO SEQUENZIALE                                                               | 8  | Chiave Allen da 3 mm              |
| 4 | Sistema di selezione meccanico (per passare dalla modalità FRENO A MANO a CAMBIO SEQUENZIALE e viceversa) | 9  | Chiave Allen da 6 mm              |
| 5 | Cavo DIN e connettore femmina sulla base                                                                  | 10 | 2 viti M8 BTR + 2 dadi M8         |
|   |                                                                                                           | 11 | Cavo rimovibile mini-DIN / DIN    |

## ATTENZIONE

Prima di utilizzare questo prodotto, ti invitiamo a leggere con attenzione il presente manuale. Conserva il presente manuale per una futura consultazione.



### **Attenzione – Shock elettrico**

- \* Conserva questo prodotto in un luogo asciutto e non esporlo alla polvere o alla luce del sole.
- \* Rispetta il verso di inserimento dei connettori.
- \* Non torcere e non tirare i connettori e i cavi.
- \* Non versare alcun liquido sul prodotto o sui relativi connettori.
- \* Non cortocircuitare il prodotto.
- \* Non smontare questo prodotto (fatta eccezione per i potenziali aggiustamenti descritti in questo manuale), non cercare di bruciare il prodotto e non esporlo alle alte temperature.



### **Attenzione – Infortuni causati da movimenti ripetuti**

L'uso di un cambio o di un freno a mano può causare dolori muscolari o articolari. Per evitare qualsiasi tipo di problema:

- \* Cerca di non giocare troppo a lungo.
- \* Prenditi una pausa di 10 o 15 minuti ogni ora di gioco.
- \* Qualora dovessi avvertire fatica o dolore alle mani, ai polsi o alle braccia, smetti di giocare e riposati per alcune ore prima di ricominciare a giocare.
- \* Qualora, una volta ripreso il gioco, i sintomi o i dolori sopradescritti dovessero persistere, smetti di giocare e consulta il tuo medico.
- \* Verifica che la base del TSS HANDBRAKE sia fissata correttamente, così come descritto nelle istruzioni riportate nel presente manuale.



### **Attenzione – Rischio di schiacciamento nelle aperture della placca del cambio**

- \* Tieni il prodotto lontano dalla portata dei bambini.
- \* Mentre stai giocando, non appoggiare mai le dita (o altre parti del tuo corpo) sulle aperture della placca del cambio del TSS HANDBRAKE.

**MAI**

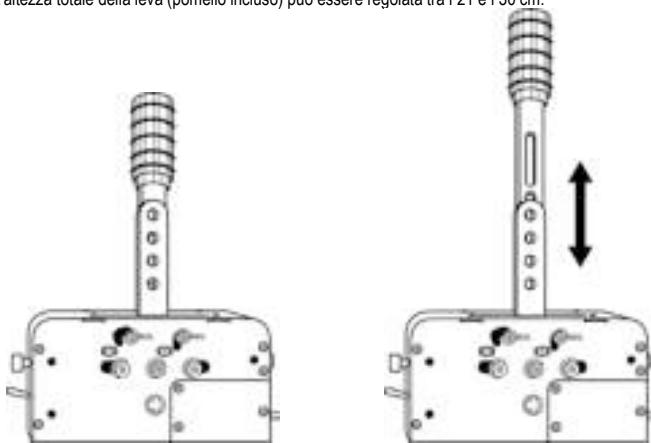


## INSTALLARE LA LEVA RIMUOVIBILE (1) SULLE BRACCIA DI ATTACCO (2)

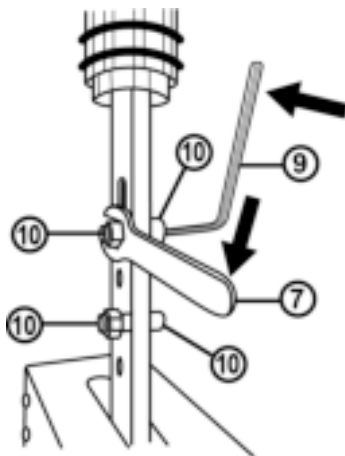
1. Fai scorrere la leva rimuovibile (1) fra le braccia di attacco (2).

2. Regola la leva all'altezza desiderata.

L'altezza totale della leva (pomello incluso) può essere regolata tra i 21 e i 30 cm.



3. Fissa la leva alle braccia di attacco utilizzando 2 viti M8 BTR (10), 2 dadi M8 (10) e la chiave Allen da 6 mm (9).



## CONFIGURARE LA MODALITÀ FRENO A MANO

Per default (ovvero all'apertura della confezione), il TSS HANDBRAKE è configurato in modalità FRENO A MANO.

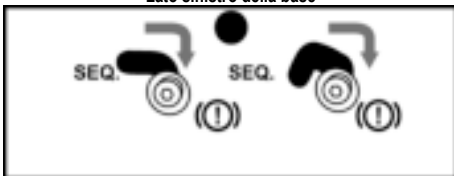
1. Il selettore FRENO A MANO / CAMBIO (3) è abbassato, in posizione modalità FRENO A MANO.

Parte frontale della base

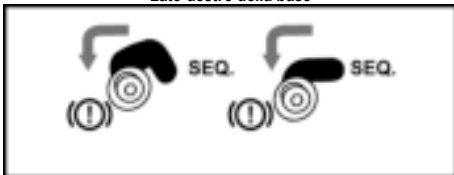


2. Il sistema meccanico che ti permette di passare dalla modalità FRENO A MANO alla modalità CAMBIO SEQUENZIALE (4) è preimpostato sulla modalità FRENO A MANO.

Lato sinistro della base



Lato destro della base



## CONFIGURARE LA MODALITÀ CAMBIO SEQUENZIALE

1. Sposta verso l'alto il selettore FRENO A MANO / CAMBIO (3), portandolo nella posizione modalità CAMBIO SEQUENZIALE.

Parte frontale della base



2. Per passare dalla modalità FRENO A MANO alla modalità CAMBIO SEQUENZIALE (4), usa la chiave Allen da 3 mm (8) per allentare leggermente le viti del sistema meccanico (2 viti presenti su ciascun lato della base).

3. Sposta queste 4 viti (2 viti presenti su ciascun lato della base) in posizione SEQ.

Lato sinistro della base



Lato destro della base

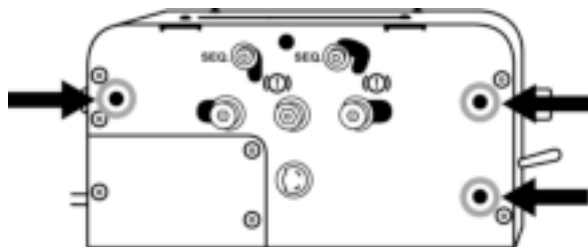
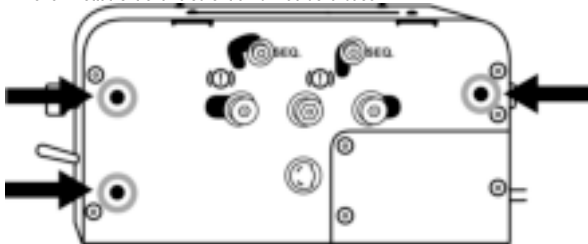


4. Accertati che queste 4 viti (2 su ciascun lato della base) risultino perfettamente riposizionate, dopodiché stringile nuovamente utilizzando la chiave Allen da 3 mm (8).

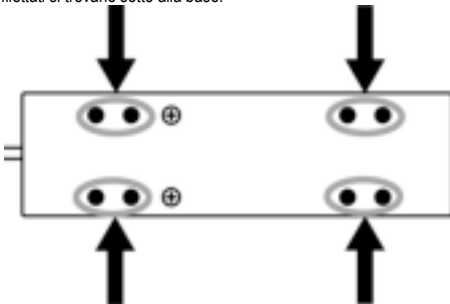
## FISSARE IL TSS HANDBRAKE

Il TSS HANDBRAKE può essere fissato a svariati supporti compatibili (venduti separatamente), tramite i fori M6 filettati presenti su entrambi i lati della periferica e sotto la base:

- 3 fori filettati si trovano su entrambi i lati della base.



- 8 fori filettati si trovano sotto alla base.



Lo schema di installazione in un abitacolo TSS HANDBRAKE è disponibile sul sito <https://support.thrustmaster.com>. Seleziona Volanti / TSS HANDBRAKE, quindi Template - Cockpit Setup.

**! NON STRINGERE NÉ ALLENTARE MAI QUESTE VITI !**

Fatta eccezione per le viti del sistema meccanico, utilizzate per passare dalla modalità FRENO A MANO alla modalità CAMBIO SEQUENZIALE (4), non stringere né allentare alcuna delle viti presenti sulla base del TSS HANDBRAKE.

Lato sinistro della base = Non stringere né allentare mai queste viti:



Lato destro della base = Non stringere né allentare mai queste viti:



Parte frontale e posteriore della base = Non stringere né allentare mai queste viti:





## ISTRUZIONI PER L'INSTALLAZIONE SU PC

1. Scarica i driver per PC dal sito <https://support.thrustmaster.com>.

Seleziona Volanti / TSS HANDBRAKE, dopodiché scegli Driver.

2. Una volta completato il download, avvia il programma di installazione e segui le istruzioni che appariranno sullo schermo.

3. Non appena ti verrà richiesto dal programma di installazione, collega il TSS HANDBRAKE a una porta USB del tuo PC utilizzando il cavo rimuovibile DIN maschio / USB (6) e completa l'installazione del driver.

4. Una volta terminata l'installazione, clicca su Fine e riavvia il tuo computer.

5. Seleziona Start / Tutti i programmi / Thrustmaster / TH8 Shifter / Pannello di controllo per aprire la finestra Periferiche di gioco.

Comparirà la finestra Periferiche di gioco, riportante il nome **TSS HANDBRAKE Sparco® Mod**, con associato lo stato di OK.

6. Nel Pannello di controllo di Windows, clicca su Proprietà per visualizzare il TSS HANDBRAKE:



**Su PC, nel caso in cui il TSS HANDBRAKE venga collegato ad una porta USB tramite il cavo rimovibile DIN maschio / USB (6), il TSS HANDBRAKE è compatibile:**

- con la modalità FRENO A MANO [Progressiva] e la modalità CAMBIO SEQUENZIALE [+/-];
- in tutti i giochi che supportano il multi-USB, freni a mano e cambi separati;
- con tutti i volantini presenti sul mercato.

**Su PC, nel caso in cui TSS HANDBRAKE venga collegato al retro di una base per volantini Thrustmaster compatibile, tramite il cavo rimovibile mini-DIN / DIN (11), il TSS HANDBRAKE è compatibile:**

- solo con la modalità CAMBIO SEQUENZIALE [+/-];
- in tutti i giochi (dove il TSS HANDBRAKE è abbinato alle leve del cambio UP e DOWN del volante);
- solo con le basi per volantini Thrustmaster compatibili (TS-PC Racer, T-GT, T300, TS-XW Racer e TX).

**! IMPORTANTE:** per poter collegare un TSS HANDBRAKE alla base del volante, dovrai aggiornare il firmware della tua base per volantini (TS-PC Racer, T-GT, T300, TS-XW Racer e TX) alla versione più recente, disponibile sul sito <https://support.thrustmaster.com/>.

### **Note generali per PC:**

\* Prima di avviare il tuo gioco, ricordati sempre di chiudere definitivamente la finestra Periferiche di gioco cliccando su OK.

\* La versione del firmware del TSS HANDBRAKE viene visualizzata nell'angolo superiore destro della finestra contenente le schede del Pannello di controllo.

\* Qualora tu optassi per un collegamento via USB, ti consigliamo di collegare il tuo volante e il tuo TSS HANDBRAKE direttamente alle porte USB 2.0 (non USB 3.0) del tuo PC, senza utilizzare un hub.

\* Alcuni giochi ti permettono di utilizzare 2 periferiche TSS HANDBRAKE simultaneamente:

- 1 TSS HANDBRAKE configurato in modalità FRENO A MANO;
- 1 TSS HANDBRAKE in modalità CAMBIO SEQUENZIALE.

## INSTALLAZIONE SU PS4™ E XBOX ONE®

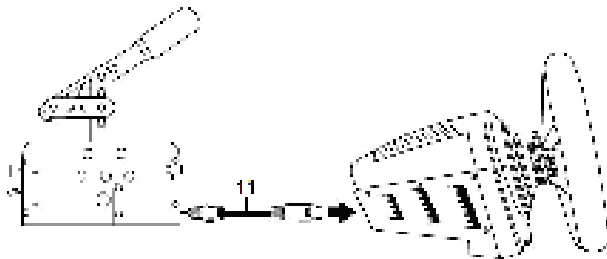
Su PS4™ e Xbox One®, il TSS HANDBRAKE è compatibile con le seguenti basi per volanti:

- Thrustmaster T-GT e T300 su PS4™
- Thrustmaster TS-XW Racer e TX su Xbox One®

**! IMPORTANTE:** per esser certo che il TSS HANDBRAKE fornisca sempre prestazioni ottimali su PS4™ e Xbox One®, dovrai aggiornare il firmware della tua base per volanti (T-GT, T300, TS-XW Racer o TX) alla versione più recente, disponibile sul sito <https://support.thrustmaster.com/>.

### Installazione:

1. Utilizzando il cavo rimuovibile mini-DIN / DIN (11), collega il TSS HANDBRAKE direttamente alla porta mini-DIN femmina presente sul retro della tua base per volanti.



2. Collega il tuo volante alla console.

ORA SEI PRONTO PER GIOCARE!

### Note generali su PS4™ e Xbox One®:

- Non collegare e non usare mai il cavo rimuovibile DIN maschio / USB (6) su PS4™ e Xbox One®. Il TSS HANDBRAKE dovrà essere sempre collegato ad una base per volanti Thrustmaster compatibile e non alla console.
- Quando il TSS HANDBRAKE viene collegato ad una base per volanti Thrustmaster compatibile:
  - la modalità CAMBIO SEQUENZIALE [+/-] funziona in tutti i giochi, essendo abbinata al leve del cambio UP e DOWN del volante.
  - la modalità FRENO A MANO [Progressiva] funziona nei giochi che supportano la funzione freno a mano\*.

\* L'elenco dei giochi per PS4™ e Xbox One® che supportano i freni a mano è disponibile sul sito. Nella sezione **Volanti**, seleziona **TM SIM HUB** o **TSS Handbrake Sparco® Mod**.

## TABELLA DEI COLLEGAMENTI DEL TSS HANDBRAKE IN BASE ALLA PIATTAFORMA UTILIZZATA

	Collegamento del TSS HANDBRAKE
<b>PC</b> (modalità FRENO A MANO e modalità CAMBIO SEQUENZIALE)	Al PC, tramite il cavo rimuovibile DIN maschio / USB <b>(6)</b> . Compatibile con tutti i volantini presenti sul mercato.
<b>PC</b> (solo modalità CAMBIO SEQUENZIALE)	Al retro di una base per volantini Thrustmaster compatibile, tramite il cavo rimuovibile mini-DIN / DIN <b>(11)</b> .
<b>PS4™</b> (modalità FRENO A MANO e modalità CAMBIO SEQUENZIALE)	Al retro di una base per volantini Thrustmaster compatibile, tramite il cavo rimuovibile mini-DIN / DIN <b>(11)</b> .
<b>XBOX ONE®</b> (modalità FRENO A MANO e modalità CAMBIO SEQUENZIALE)	Al retro di una base per volantini Thrustmaster compatibile, tramite il cavo rimuovibile mini-DIN / DIN <b>(11)</b> .

### AGGIORNARE IL FIRMWARE DEL TSS HANDBRAKE

Il firmware incluso nella base del TSS HANDBRAKE può essere aggiornato (ovvero, può essere aggiornato a una versione più recente, che introduce miglioramenti al prodotto).

Per visualizzare la versione del firmware del TSS HANDBRAKE e, se necessario, per aggiornarla: con un PC, vai su <https://support.thrustmaster.com>, seleziona **Volanti / TSS HANDBRAKE**, quindi scegli **Firmware** e segui le istruzioni, effettua il download ed esegui la procedura di installazione.

## SOFTWARE DI CALIBRAZIONE AVANZATA

La procedura di calibrazione del TSS HANDBRAKE è automatica.

Inoltre, per PC è disponibile un software di calibrazione avanzata, sul sito <https://support.thrustmaster.com>; scegli Volanti / TSS HANDBRAKE, quindi Software. Tramite questo software, potrai regolare i seguenti parametri:

- Corsa analogica in modalità FRENO A MANO;
- Corsa analogica in modalità CAMBIO SEQUENZIALE.

Una volta regolati i parametri, questi verranno immediatamente salvati nella memoria interna del TSS HANDBRAKE e saranno quindi attivi in tutti i tuoi giochi, sia su PC che su PS4™ o Xbox One®.

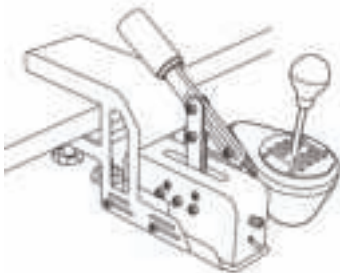
## SUGGERIMENTI E CONSIGLI (non riportati nel presente manuale)

Vari suggerimenti e consigli sono disponibili sul sito <https://support.thrustmaster.com>, selezionando Volanti / TSS HANDBRAKE.

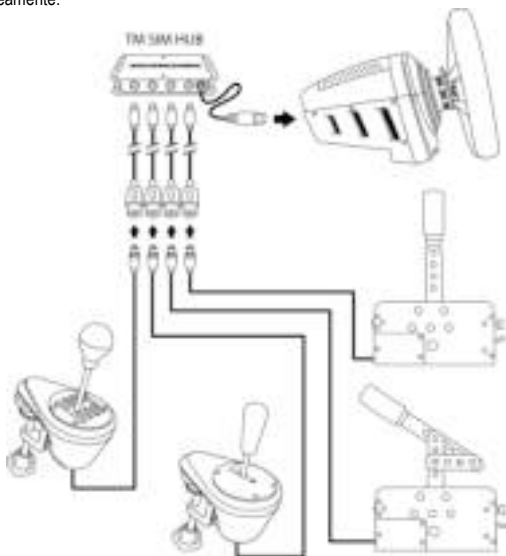
## ECOSISTEMA

Il TSS HANDBRAKE è compatibile anche con altri accessori venduti separatamente:

\* Il **TM RACING CLAMP**: un robusto supporto al quale i giocatori possono assicurare il loro TSS Handbrake e il loro cambio TH8A, fissandolo poi direttamente a un tavolo o a una scrivania, senza dover utilizzare un abitacolo.



\* Il **TM SIM HUB**: un hub grazie al quale gli utenti possono collegare, direttamente al connettore mini-DIN presente sul retro delle basi per volanti Thrustmaster compatibili, fino a quattro accessori contemporaneamente.



## **Informazioni sulla garanzia al consumatore**

A livello mondiale, Guillemot Corporation S.A., avente sede legale in Place du Granier, B.P. 97143, 35571 Chantepie, Francia (d'ora in avanti "Guillemot") garantisce al consumatore che il presente prodotto Thrustmaster sarà privo di difetti relativi ai materiali e alla fabbricazione, per un periodo di garanzia corrispondente al limite temporale stabilito per la presentazione di un reclamo riguardante la conformità del prodotto in questione. Nei paesi della Comunità Europea, tale periodo equivale a due (2) anni a partire dalla consegna del prodotto Thrustmaster. In altri paesi, la durata della garanzia corrisponde al limite temporale stabilito per la presentazione di un reclamo riguardante la conformità del prodotto Thrustmaster in base alle leggi applicabili nel paese in cui il consumatore risiedeva alla data di acquisto del prodotto Thrustmaster (qualora nel paese in questione non esistesse alcuna norma a riguardo, il periodo di garanzia corrisponderà a un (1) anno a partire dalla data originale di acquisto del prodotto Thrustmaster).

Qualora, durante il periodo di garanzia, il prodotto dovesse apparire difettoso, contatti immediatamente l'Assistenza Tecnica, che le indicherà la procedura da seguire. Qualora il difetto dovesse essere confermato, il prodotto dovrà essere riportato al luogo di acquisto (o qualsiasi altro luogo indicato dall'Assistenza Tecnica).

Nel contesto della presente garanzia, il prodotto difettoso di proprietà del consumatore potrà essere sostituito o reso nuovamente funzionante, a discrezione dell'Assistenza Tecnica. Se, durante il periodo coperto dalla garanzia, il prodotto Thrustmaster fosse oggetto di tale rimessa in operatività, alla rimanente durata della garanzia dovrà essere aggiunto un periodo di almeno sette (7) giorni, durante il quale il prodotto risulta non utilizzabile (tale periodo intercorre dalla data della richiesta di intervento da parte del consumatore o dalla data in cui il prodotto in questione è reso disponibile per la rimessa in operatività, questo nel caso in cui tale data sia successiva alla data di richiesta di intervento). Qualora le leggi applicabili in materia lo consentano, la totale responsabilità di Guillemot e delle sue controllate (compresi i danni conseguenti) si limita alla rimessa in operatività o alla sostituzione del prodotto Thrustmaster. Qualora le leggi applicabili in materia lo consentano, Guillemot declina ogni garanzia sulla commerciabilità o la conformità a finalità particolari.

La presente garanzia non potrà essere applicata: (1) se il prodotto è stato modificato, aperto, alterato o ha subito danni derivanti da un uso inappropriato o non autorizzato, da negligenza, da un incidente, dalla semplice usura, o da qualsiasi altra causa non riconducibile a difetti nei materiali o nell'assemblaggio (compresi, ma non i soli, prodotti Thrustmaster combinati con elementi inadatti, tra cui, in particolare, batterie ricaricabili, caricatori o qualsiasi altro elemento non fornito da Guillemot per questo prodotto); (2) nel caso in cui il prodotto sia stato utilizzato per qualsiasi altro scopo al di fuori dell'uso domestico, comprese finalità professionali o commerciali (esempio: sale giochi, allenamenti, concorsi); (3) in caso di mancato rispetto delle istruzioni fornite dall'Assistenza Tecnica; (4) in caso di software, ovvero software soggetto a una specifica garanzia; (5) ai materiali di consumo (elementi che richiedono la loro sostituzione al termine della loro durata di esercizio come, ad esempio, batterie di tipo convenzionale o cuscinetti protettivi per auricolari o cuffie); (6) agli accessori (ad esempio, cavi, custodie, borsette, borse, cinturini); (7) se il prodotto è stato venduto ad un'asta pubblica.

La presente garanzia non è trasferibile.

I diritti legali del consumatore, stabiliti dalle leggi vigenti in materia di vendita di beni di consumo nel relativo paese, non vengono intaccati dalla presente garanzia.

### Disposizioni addizionali sulla garanzia

Per tutta la durata della garanzia, in linea di principio, Guillemot non fornirà alcuna parte di ricambio, in quanto la sola Assistenza Tecnica è la parte autorizzata ad aprire e/o rimettere in funzionamento tutti i prodotti Thrustmaster (fatta eccezione per eventuali procedure di rimessa in operatività che l'Assistenza Tecnica potrebbe richiedere al consumatore, attraverso istruzioni scritte – viste, ad esempio, la semplicità e la mancanza di riservatezza della procedura di rimessa in operatività – e fornendo al consumatore le necessarie parti di ricambio, se ve ne fosse l'esigenza).

Considerando i propri cicli di innovazione e per proteggere il proprio know-how e i propri segreti commerciali, in linea di principio, Guillemot non fornirà alcuna notifica o parte di ricambio finalizzata alla rimessa in attività di un qualunque prodotto Thrustmaster il cui periodo di garanzia risultasse scaduto.

### Responsabilità

Qualora le leggi applicabili in materia lo consentano, Guillemot Corporation S.A. (d'ora in avanti "Guillemot") e le sue controllate declinano ogni responsabilità per qualsiasi danno derivante da almeno una delle seguenti condizioni: (1) il prodotto è stato modificato, aperto o alterato; (2) mancato rispetto delle istruzioni di installazione; (3) uso inappropriato o non permesso, negligenza, incidente (come, ad esempio, un impatto); (4) semplice usura; (5) utilizzo del prodotto per qualsiasi altro scopo al di fuori dell'uso domestico, comprese finalità professionali o commerciali (esempio: sale giochi, allenamenti, concorsi). Qualora le leggi applicabili in materia lo consentano, Guillemot e le sue controllate declinano ogni responsabilità per qualsiasi danno non riconducibile a difetti nei materiali o nella fabbricazione del prodotto (compresi, ma non i soli, potenziali danni causati direttamente o indirettamente da un qualunque software, oppure dall'uso del prodotto Thrustmaster in combinazione con elementi inadatti, tra cui, in particolare, batterie ricaricabili, caricatori o qualsiasi altro elemento non fornito da Guillemot per questo prodotto).

**THRUSTMASTER®**

**ASSISTENZA TECNICA**

<https://support.thrustmaster.com>





## COPYRIGHT

© 2019 Guillemot Corporation S.A. Tutti i diritti riservati. Thrustmaster® è un marchio registrato di proprietà di Guillemot Corporation S.A. PlayStation® è un marchio registrato da Sony Interactive Entertainment Inc. Windows® è un marchio registrato da Microsoft Corporation negli Stati Uniti e/o altri Paesi. Sparco è un marchio registrato di proprietà di Sparco S.p.A. Tutti gli altri marchi appartengono ai legittimi proprietari. Illustrazioni escluse. I contenuti, i design e le caratteristiche possono essere oggetto di modifiche senza preavviso e possono variare da un Paese all'altro. Fabbricato in Cina.

## RACCOMANDAZIONI SULLA TUTELA DELL'AMBIENTE



\* Nell'Unione Europea: Al termine della sua vita operativa, questo prodotto non dovrebbe essere gettato assieme ai comuni rifiuti, ma dovrebbe essere portato ad un apposito punto di raccolta destinato al riciclaggio del Materiale Elettrico ed Elettronico.

Ciò è confermato dal simbolo riportato sul prodotto, nel manuale d'uso o sulla confezione.

A seconda delle proprie caratteristiche, i materiali potrebbero essere riciclati. Tramite il riciclaggio ed altre forme di trattamento del Materiale Elettrico ed

Elettronico, è possibile fornire un importante contributo per la salvaguardia dell'ambiente.

Per conoscere i punti di raccolta più vicini a te, contatta le autorità locali competenti.

In tutti gli altri Paesi: per favore, rispetta le leggi locali sul riciclo dei materiali elettrici ed elettronici.

Informazioni da conservare. I colori e le decorazioni possono variare.

I ganci di plastica e gli adesivi dovrebbero essere rimossi dal prodotto prima che quest'ultimo venga utilizzato.

**[www.thrustmaster.com](http://www.thrustmaster.com)**

*\*Valido solo in UE e Turchia*

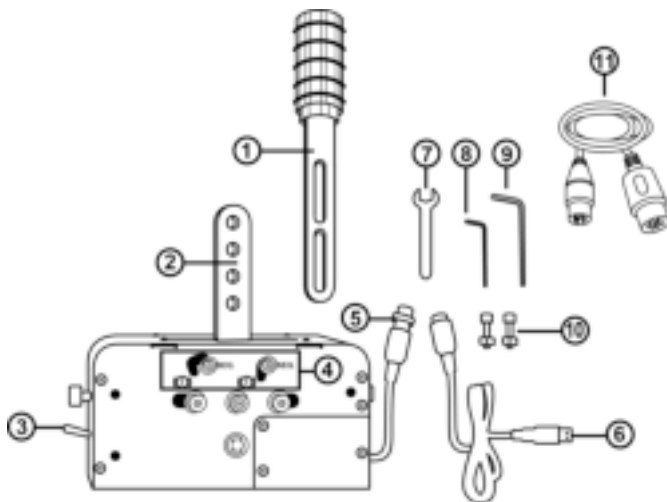


# TSS HANDBRAKE+

## sparco® Mod

PC – PS4™ – Xbox One®

### Manual del usuario



### ESPECIFICACIONES TÉCNICAS

- 1 Palanca desmontable (*no está instalada de forma predeterminada*)
- 2 Brazos de fijación de la palanca
- 3 Selector de FRENO DE MANO / CAMBIO DE MARCHAS SECUENCIAL
- 4 Sistema de conmutación mecánica (para cambiar entre los modos de FRENO DE MANO y CAMBIO SECUENCIAL)
- 5 Cable DIN y conector hembra en la base
- 6 Cable desmontable USB / DIN macho
- 7 Llave fija de 13 mm
- 8 Llave Allen de 3 mm
- 9 Llave Allen de 6 mm
- 10 2 tornillos M8 BTR + 2 tuercas M8
- 11 Cable desmontable mini-DIN / DIN

## AVISO

Antes de utilizar este producto, asegúrate de leer detenidamente este manual. Conserva este manual para consultarlo en el futuro.



### **Advertencia – Descarga eléctrica**

- \* Mantén este producto en un lugar seco y no lo expongas al polvo ni a la luz directa del sol.
- \* Respeta la dirección de inserción de los conectores.
- \* No retuerzas ni tires de los conectores ni de los cables.
- \* No derrames líquidos en el producto ni en su conector.
- \* No cortocircuites el producto.
- \* No desmontes este producto (excepto los posibles ajustes descritos en este manual), no intentes quemar el producto ni lo expongas a temperaturas elevadas.



### **Advertencia – Lesiones debidas a movimientos repetitivos**

El uso de un cambio de marchas o un freno de mano puede provocar dolores musculares y de las articulaciones. Para evitar problemas:

- \* Evita jugar durante períodos de tiempo prolongados.
- \* Haz descansos de 10 a 15 minutos por cada hora de juego.
- \* Si experimentas fatiga o dolor en las manos, muñecas o brazos, deja de jugar y descansa durante unas horas antes de volver a jugar.
- \* Si los síntomas o el dolor descritos anteriormente persisten cuando vuelves a jugar, deja de hacerlo y consulta al médico.
- \* Verifica que la base del freno de mano TSS HANDBRAKE está montada correctamente, según se describe en las instrucciones detalladas en este manual.



### **Advertencia – Riesgo de pellizcos en las aberturas de la placa de cambio**

- \* Mantén el dispositivo fuera del alcance de los niños.
- \* Cuando estés jugando, no coloques nunca los dedos (ni cualquier otra parte de tu cuerpo) en las aberturas de las placas de cambio del TSS HANDBRAKE.

**NUNCA**

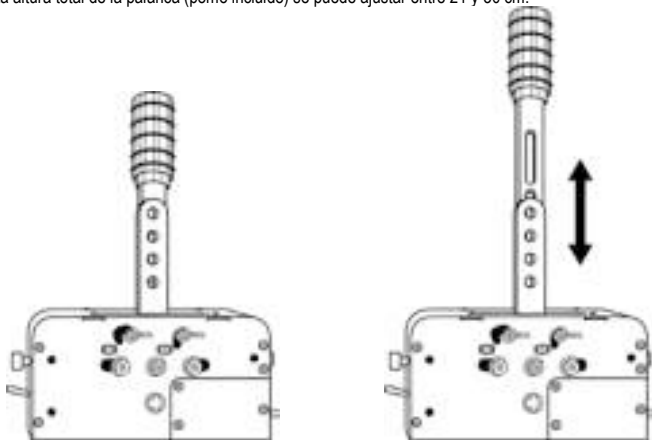


## INSTALACIÓN DE LA PALANCA DESMONTABLE (1) EN LOS BRAZOS DE FIJACIÓN (2)

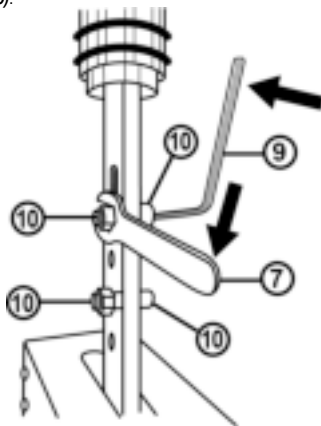
1. Desliza la palanca desmontable (1) entre los brazos de fijación (2).

2. Ajusta la palanca a la altura deseada.

La altura total de la palanca (pomo incluido) se puede ajustar entre 21 y 30 cm.



3. Sujeta la palanca a los brazos de fijación usando 2 tornillos M8 BTR (10), 2 tuercas M8 (10) y la llave Allen de 6 mm (9).



## CONFIGURACIÓN DEL MODO DE FRENO DE MANO

De forma predeterminada (al sacar de la caja el dispositivo), el TSS HANDBRAKE está configurado en el modo de FRENO DE MANO.

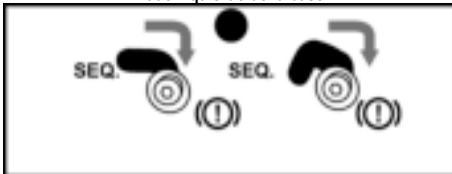
1. El selector FRENO DE MANO / CAMBIO DE MARCHAS (3) está bajado en la posición de modo de FRENO DE MANO.

Cara frontal de la base

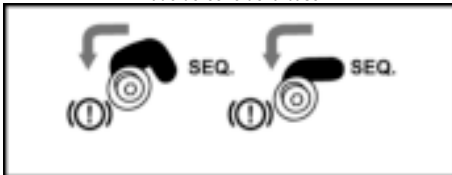


2. El sistema mecánico que te permite cambiar entre el modo de FRENO DE MANO y el modo de CAMBIO DE MARCHAS SECUENCIAL (4) está predefinido en la posición de FRENO DE MANO.

Lado izquierdo de la base



Lado derecho de la base



## CONFIGURACIÓN DEL MODO DE CAMBIO DE MARCHAS SECUENCIAL

1. Levanta el selector de FRENO DE MANO / CAMBIO DE MARCHAS (3) a la posición del modo de CAMBIO DE MARCHAS SECUENCIAL.

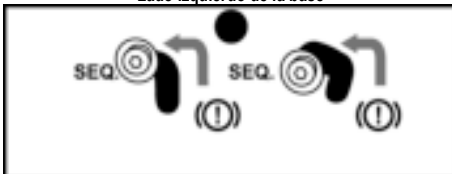
Cara frontal de la base



2. Para pasar del modo de FRENO DE MANO al modo de CAMBIO DE MARCHAS SECUENCIAL (4), usa la llave Allen de 3 mm (8) para aflojar ligeramente los tornillos del sistema mecánico (2 tornillos, situados a cada lado de la base).

3. Mueve esos 4 tornillos (2 tornillos, situados a cada lado de la base) a la posición SEQ.

Lado izquierdo de la base



Lado derecho de la base

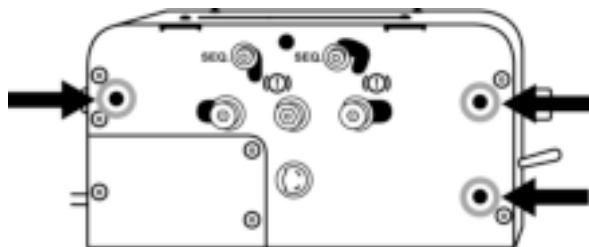
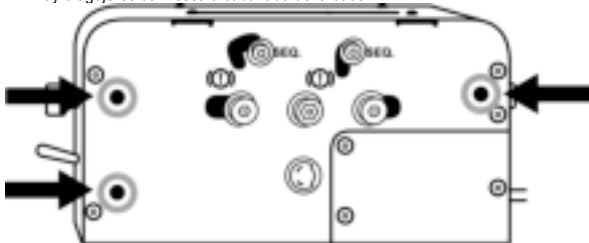


4. Comprueba que esos 4 tornillos (2 a cada lado de la base) estén perfectamente recolocados y luego apriétalos usando la llave Allen de 3 mm (8).

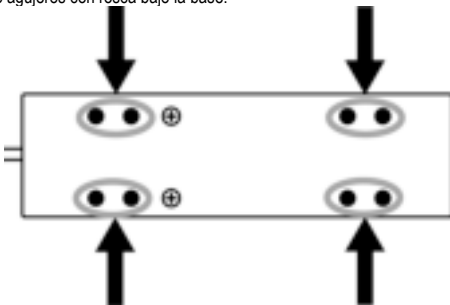
## INSTALACIÓN DEL TSS HANDBRAKE

El TSS HANDBRAKE se puede fijar a diversos soportes compatibles (vendidos por separado), usando los agujeros con rosca M6 situados a cada lado del dispositivo y bajo su base:

- Hay 3 agujeros con rosca a cada lado de la base.



- Hay 8 agujeros con rosca bajo la base.



La plantilla de instalación en cabina del TSS HANDBRAKE está disponible en <https://support.thrustmaster.com>. Selecciona Volantes de carreras / TSS HANDBRAKE, y luego Template - Cockpit Setup.



## **NO APRIETES NI AFLOJES ESTOS TORNILLOS**

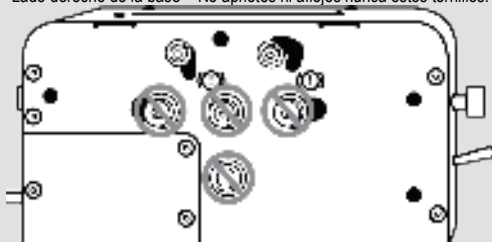


A excepción de los tornillos relacionados con el sistema mecánico usados para cambiar entre el modo de FRENO DE MANO y el modo de CAMBIO DE MARCHAS SECUENCIAL (4), no aprietes ni aflojes nunca otros tornillos situados en la base del TSS HANDBRAKE.

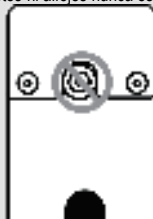
Lado izquierdo de la base = No aprietes ni aflojes nunca estos tornillos:



Lado derecho de la base = No aprietes ni aflojes nunca estos tornillos:



Lados frontal y trasero de la base = No aprietes ni aflojes nunca estos tornillos:





## INSTRUCCIONES DE INSTALACIÓN PARA PC

1. Visita <https://support.thrustmaster.com> para descargar los controladores para PC. Selecciona Volantes de carreras / TSS HANDBRAKE, y luego selecciona Controladores.
2. Una vez terminada la descarga, ejecuta el programa de instalación y sigue las instrucciones que se muestran en la pantalla.
3. Cuando el programa de instalación te pida que lo hagas, conecta el TSS HANDBRAKE a uno de los puertos USB del PC usando el cable desmontable USB / DIN macho (6), y termina instalando el controlador.
4. Una vez finalizada la instalación, haz clic en Terminar y reinicia el ordenador.
5. Selecciona Inicio / Todos los programas / Thrustmaster / TH8 Shifter / Panel de control para abrir la ventana Dispositivos de juego.
6. Haz clic en Propiedades para ver el TSS HANDBRAKE en el Panel de control de Windows:



**En PC, cuando el TSS HANDBRAKE está conectado a un puerto USB usando el cable desmontable USB / DIN macho (6), el TSS HANDBRAKE es compatible:**

- con el modo FRENO DE MANO [Progresivo] y el modo CAMBIO DE MARCHAS SECUENCIAL [+/-];
- en todos los juegos que admiten multi-USB, frenos de mano y cambios de marchas independientes;
- con todos los volantes de carreras del mercado.

**En PC, cuando el TSS HANDBRAKE está conectado a la parte trasera de una base de volante de carreras de Thrustmaster compatible usando el cable desmontable mini-DIN / DIN (11), el TSS HANDBRAKE es compatible:**

- sólo con el modo de CAMBIO DE MARCHAS SECUENCIAL [+/-];
- en todos los juegos (ya que el TSS HANDBRAKE se combina con las levas de cambio de marchas UP y DOWN del volante de carreras);
- sólo con bases de volante de carreras de Thrustmaster compatibles (TS-PC Racer, T-GT, T300, TS-XW Racer y TX).

**⚠ IMPORTANTE:** Debes actualizar el firmware de la base de volante de carreras (TS-PC Racer, T-GT, T300, TS-XW Racer y TX) con la última versión disponible en <https://support.thrustmaster.com/> para poder conectar un TSS HANDBRAKE a la base de volante de carreras.

## Notas generales en PC:

\* Recuerda cerrar siempre completamente la ventana Dispositivos de juego haciendo clic en Aceptar antes de iniciar un juego.

\* La versión del firmware del TSS HANDBRAKE se muestra en la sección superior derecha de las pestañas del Panel de control.

\* Si optas por usar una conexión USB, te recomendamos que conectes el volante de carreras y el TSS HANDBRAKE directamente a los puertos USB 2.0 (no USB 3.0) del PC, sin usar un concentrador.

- \* Algunos juegos te permiten usar 2 dispositivos TSS HANDBRAKE simultáneamente:
- 1 TSS HANDBRAKE configurado en modo de FRENO DE MANO;
  - 1 TSS HANDBRAKE en modo de CAMBIO DE MARCHAS SECUENCIAL.

## INSTALACIÓN EN PS4™ Y XBOX ONE®

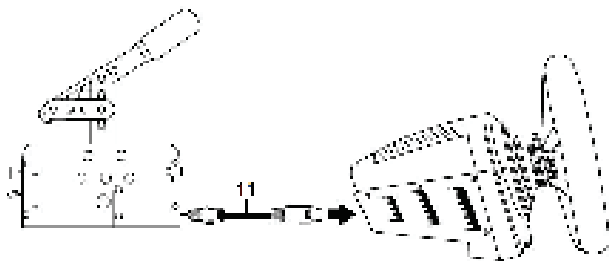
En PS4™ y Xbox One®, el TSS HANDBRAKE es compatible con las siguientes bases de volante:

- Thrustmaster T-GT y T300 en PS4™
- Thrustmaster TS-XW Racer y TX en Xbox One®

**⚠ IMPORTANTE:** Para garantizar un funcionamiento óptimo del TSS HANDBRAKE en PS4™ y Xbox One®, debes actualizar el firmware de la base de volante de carreras (T-GT, T300, TS-XW Racer o TX) con la última versión disponible en <https://support.thrustmaster.com/>.

### Instalación:

1. Usando el cable desmontable mini-DIN / DIN (11), conecta el TSS HANDBRAKE directamente al puerto mini-DIN hembra situado en la parte trasera de la base del volante de carreras.



2. Conecta el volante de carreras a la consola.

¡YA ESTÁS LISTO PARA JUGAR!

### Notas generales sobre PS4™ y Xbox One®:

- No uses nunca ni conectes el cable desmontable USB / DIN macho (6) en PS4™ ni Xbox One®. El TSS HANDBRAKE se debe conectar siempre a una base de volante de carreras de Thrustmaster compatible, y no a la consola.

- Cuando el TSS HANDBRAKE está conectado a una base de volante de carreras de Thrustmaster compatible:

- El modo CAMBIO DE MARCHAS SECUENCIAL [+/-] funciona en todos los juegos, ya que se combina con las levas de cambio de marchas UP y DOWN del volante.
- El modo FRENO DE MANO [Progresivo] funciona en juegos compatibles con la función de freno de mano\*.

\* Lista de juegos de PS4™ y Xbox One® compatibles con frenos de mano disponible en <https://support.thrustmaster.com/>. En la sección **Volantes de carreras**, selecciona **TM SIM HUB o TSS Handbrake Sparco® Mod**.

## RESUMEN DE CONEXIONES DEL TSS HANDBRAKE SEGÚN LA PLATAFORMA USADA

	Conexión del TSS HANDBRAKE
<b>PC</b> (modo FRENO DE MANO y modo CAMBIO DE MARCHAS SECUENCIAL)	Al PC, usando el cable desmontable USB / DIN macho <b>(6)</b> . Compatible con todos los volantes de carreras del mercado.
<b>PC</b> (sólo con el modo CAMBIO DE MARCHAS SECUENCIAL)	En la parte trasera de una base de volante de carreras de Thrustmaster compatible, usando el cable desmontable mini-DIN / DIN <b>(11)</b> .
<b>PS4™</b> (modo FRENO DE MANO y modo CAMBIO DE MARCHAS SECUENCIAL)	En la parte trasera de una base de volante de carreras de Thrustmaster compatible, usando el cable desmontable mini-DIN / DIN <b>(11)</b> .
<b>XBOX ONE®</b> (modo FRENO DE MANO y modo CAMBIO DE MARCHAS SECUENCIAL)	En la parte trasera de una base de volante de carreras de Thrustmaster compatible, usando el cable desmontable mini-DIN / DIN <b>(11)</b> .

## ACTUALIZACIÓN DEL FIRMWARE DEL TSS HANDBRAKE

El firmware incluido en la base del TSS HANDBRAKE se puede actualizar (lo que significa que se puede mejorar a una versión más reciente, que cuenta con mejoras del producto).

Para mostrar la versión del firmware del TSS HANDBRAKE y actualizarla, de ser necesario: en un PC, visita <https://support.thrustmaster.com>, selecciona **Volantes de carreras / TSS HANDBRAKE**, luego selecciona **Firmware** y sigue las instrucciones y el procedimiento de descarga e instalación.

## SOFTWARE DE CALIBRACIÓN AVANZADO

El procedimiento de calibración del TSS HANDBRAKE es automático.

En <https://support.thrustmaster.com> también hay una aplicación de software de calibración avanzado para PC: selecciona Volantes de carreras / TSS HANDBRAKE, y luego Software. Este software te permite ajustar lo siguiente:

- Desplazamiento analógico en modo de FRENO DE MANO;
- Desplazamiento analógico en modo de CAMBIO DE MARCHAS SECUENCIAL.

**Una vez ajustados los parámetros, se guardarán inmediatamente en la memoria interna del TSS HANDBRAKE y por consiguiente tendrán efecto en todos tus juegos, ya sean de PC, PS4™ o Xbox One®.**

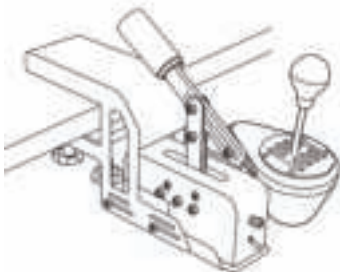
## SUGERENCIAS Y CONSEJOS (no indicados en este manual)

En el sitio web <https://support.thrustmaster.com> hay varias sugerencias y consejos; selecciona Volantes de carreras / TSS HANDBRAKE.

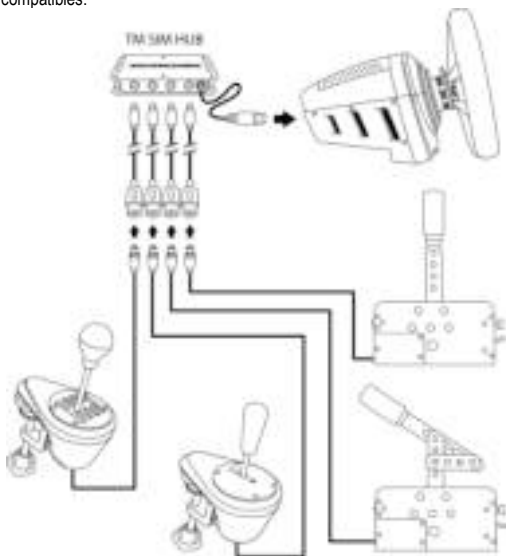
## ECOSISTEMA

El TSS HANDBRAKE también es compatible con otros accesorios que se venden por separado:

\* El **TM RACING CLAMP**: un robusto soporte con el que los gamers pueden montar con seguridad su TSS Handbrake y su cambio de marchas TH8A directamente sobre una mesa o un escritorio, sin necesidad de una cabina.



\* El **TM SIM HUB**: un concentrador con el que los usuarios pueden conectar hasta cuatro accesorios directamente al conector mini-DIN situado en la parte trasera de bases de volante de carreras de Thrustmaster compatibles.



## **INFORMACIÓN DE GARANTÍA AL CONSUMIDOR**

En todo el mundo, Guillemot Corporation S.A., cuyo domicilio legal se encuentra en Place du Granier, B.P. 97143, 35571 Chantepie, Francia (en lo sucesivo "Guillemot") garantiza al consumidor que este producto de Thrustmaster estará libre de defectos de materiales y mano de obra, durante un período de garantía que corresponde al límite de tiempo para interponer una acción legal referida a la conformidad en relación con este producto. En los países de la Unión Europea, esto corresponde a un período de dos (2) años a partir de la entrega del producto de Thrustmaster. En otros países, el período de garantía corresponde al límite de tiempo para interponer una acción legal referida a la conformidad en relación con este producto de Thrustmaster según las leyes aplicables del país en el que el consumidor estuviese domiciliado en la fecha de compra del producto de Thrustmaster (si no existiese una acción similar en el país correspondiente, entonces el período de garantía será de un (1) año a partir de la fecha de compra original del producto de Thrustmaster).

Si el producto resultase defectuoso durante el período de garantía, hay que ponerse en contacto inmediatamente con el Soporte Técnico, que indicará el procedimiento a seguir. Si se confirma el defecto, el producto debe devolverse a su lugar de compra (o a cualquier otra ubicación indicada por el Soporte Técnico).

Dentro del contexto de esta garantía, el producto defectuoso del consumidor será sustituido o restaurado su funcionamiento correcto. Si, durante el período de garantía, el producto de Thrustmaster fuese sometido a dicho reacondicionamiento, cualquier período de cómo mínimo siete (7) días durante el que el producto no se pueda usar se añadirá al período de garantía restante (este período va desde la fecha de petición de intervención del consumidor o desde la fecha en la que el producto se entrega para el reacondicionamiento, si la fecha en la que el producto se entrega para el reacondicionamiento fuese posterior a la fecha de la petición de intervención). Si la ley aplicable lo permite, toda la responsabilidad de Guillemot y sus filiales (incluso por daños resultantes) se limita a la restauración del funcionamiento correcto o la sustitución del producto de Thrustmaster. Si la ley aplicable lo permite, Guillemot renuncia a todas las garantías de comerciabilidad o adecuación para un propósito determinado.

Esta garantía no se aplicará: (1) si el producto ha sido modificado, abierto, alterado o ha sufrido daños como resultado de un uso inapropiado o abuso, negligencia, accidente, desgaste normal, o cualquier otra causa no relacionada con un defecto de materiales o fabricación (incluyendo, pero no de forma exclusiva, la combinación del producto de Thrustmaster con cualquier elemento no adecuado, incluyendo en particular fuentes de alimentación, baterías recargables, cargadores o cualquier otro elemento no suministrado por Guillemot para este producto); (2) si el producto se ha empleado para otro uso distinto del doméstico, incluyendo fines profesionales o comerciales (salones de juego, entrenamiento, competiciones, por ejemplo); (3) en caso de incumplimiento de las instrucciones proporcionadas por el Soporte Técnico; (4) a software, es decir software sujeto a una garantía específica; (5) a consumibles (elementos que se tienen que reemplazar a lo largo de la vida del producto: por ejemplo, baterías desechables o almohadillas para auriculares de audio); (6) a accesorios (por ejemplo, cables, cajas, bolsas, bolsos o muñequeras); (7) si el producto se ha vendido en una subasta pública.

Esta garantía no es transferible.

Los derechos legales del consumidor en relación con las leyes aplicables a la venta de productos de consumo de su país no se ven afectados por esta garantía.

### Provisiones de garantía adicionales

Durante el período de garantía, Guillemot no proporcionará, en principio, ninguna pieza de repuesto, ya que el Soporte Técnico es el único autorizado para abrir y/o reacondicionar los productos de Thrustmaster (con la excepción de los procedimientos de reacondicionamiento que el Soporte técnico puede solicitar que lleve a cabo el consumidor, mediante instrucciones por escrito – por ejemplo, debido a la simplicidad y la falta de confidencialidad del proceso de reacondicionamiento – y suministrando al consumidor las piezas de repuesto necesarias, si hiciere falta).

Debido a sus ciclos de innovación y para proteger su know-how y secretos comerciales, Guillemot no proporcionará, en principio, ninguna pieza de repuesto ni instrucciones de reacondicionamiento para los productos de Thrustmaster cuyo período de garantía haya vencido.

En los Estados Unidos de América y en Canadá, esta garantía está limitada al mecanismo interno del producto y al alojamiento externo. En ningún caso, Guillemot ni sus filiales serán responsables ante terceros por daños resultantes o fortuitos resultado del incumplimiento de cualquier garantía expresa o implícita. En algunos estados o provincias no se permite la limitación de la duración de una garantía implícita ni la exclusión o limitación de responsabilidad por daños resultantes o fortuitos, por lo que las limitaciones o exclusiones anteriores pueden no ser aplicables. Esta garantía ofrece derechos legales específicos al consumidor, que también puede tener otros derechos que pueden variar de un estado a otro o de una provincia a otra.

### Responsabilidad

Si la ley aplicable lo permite, Guillemot Corporation S.A. (en lo sucesivo "Guillemot") y sus filiales renuncian a toda responsabilidad por los daños causados por uno o más de los siguientes motivos: (1) el producto ha sido modificado, abierto o alterado; (2) incumplimiento de las instrucciones de montaje; (3) uso inapropiado o abuso, negligencia, accidente (un impacto, por ejemplo); (4) desgaste normal; (5) el producto se ha empleado para otro uso distinto del doméstico, incluyendo fines profesionales o comerciales (salones de juego, entrenamiento, competiciones, por ejemplo). Si la ley aplicable lo permite, Guillemot y sus filiales renuncian a toda responsabilidad por los daños no relacionados con defectos de materiales o fabricación en relación con el producto (incluyendo, pero no de forma exclusiva, los daños causados de forma directa o indirecta por cualquier software, o por combinar el producto de Thrustmaster con cualquier elemento no adecuado, incluyendo en particular fuentes de alimentación, baterías recargables, cargadores o cualquier otro elemento no suministrado por Guillemot para este producto).

**THRUSTMASTER®**

**SOPORTE TÉCNICO**

<https://support.thrustmaster.com>





## DECLARACIÓN DE CONFORMIDAD

**NOTICIA DE CONFORMIDAD EN USA:** este dispositivo cumple con los límites para dispositivos de computación de Clase B de acuerdo con la Parte 15 de las reglas FCC.

## COPYRIGHT

© 2019 Guillemot Corporation S.A. Todos los derechos reservados. Thrustmaster® es una marca registrada de Guillemot Corporation S.A. PlayStation® es una marca comercial registrada de Sony Interactive Entertainment Inc. Windows® es una marca comercial registrada de Microsoft Corporation en Estados Unidos y en otros países. Sparco es una marca registrada de Sparco S.p.A. Todas las demás marcas son propiedad de sus respectivos dueños. Ilustraciones no definitivas. El contenido, la concepción y las especificaciones son susceptibles de cambiar sin previo aviso y varían según el país. Fabricado en China.

## RECOMENDACIÓN DE PROTECCIÓN AMBIENTAL



En la Unión Europea: Al terminar su vida útil, este producto no debe tirarse en un contenedor de basuras estándar, sino que debe dejarse en un punto de recogida de desechos eléctricos y equipamiento electrónico para ser reciclado.

Esto viene confirmado por el símbolo que se encuentra en el producto, manual del usuario o embalaje.

Dependiendo de sus características, los materiales pueden reciclarse. Mediante el reciclaje y otras formas de procesamiento de los desechos eléctricos y el equipamiento electrónico puedes contribuir de forma significativa a ayudar a proteger el medio ambiente.

Contacta con las autoridades locales para más información sobre el punto de recogida más cercano. Para los demás países: cumpla las leyes locales sobre reciclaje de equipos eléctricos y electrónicos.

Esta información debe conservarse. Los colores y motivos decorativos pueden variar. Los adhesivos y los cierres de plástico se deben quitar del producto antes de utilizarlo.

[www.thrustmaster.com](http://www.thrustmaster.com)

*\*Aplicable únicamente a la UE y Turquía*

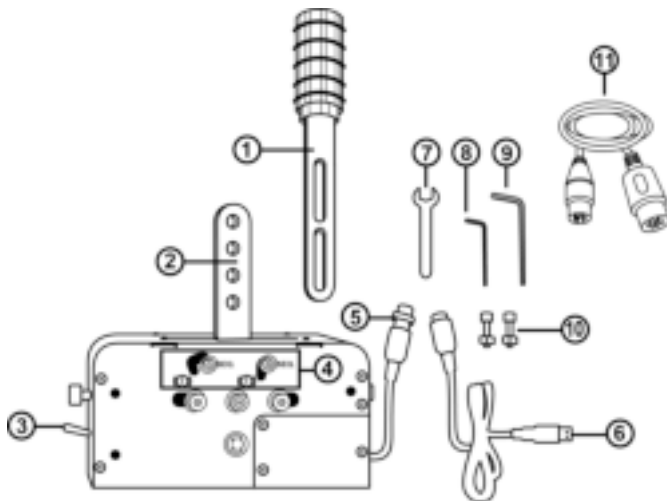


# TSS HANDBRAKE+

## sparco® Mod

PC – PS4™ – Xbox One®

### Manual do Utilizador



### ESPECIFICAÇÕES TÉCNICAS

- 1 Alavanca amovível (não instalada por predefinição)
- 2 Braços de fixação da alavanca
- 3 Seletor TRAVÃO DE MÃO / ALAVANCA DE VELOCIDADES SEQUENCIAL
- 4 Sistema de comutação mecânica (para alternar entre os modos TRAVÃO DE MÃO e ALAVANCA DE VELOCIDADES SEQUENCIAL)
- 5 Cabo DIN e conector fêmea na base
- 6 Cabo DIN/USB macho amovível
- 7 Chave de bocas de 13 mm
- 8 Chave sextavada de 3 mm
- 9 Chave sextavada de 6 mm
- 10 2 parafusos BTR M8 + 2 porcas M8
- 11 Cabo mini-DIN/DIN amovível

## ATENÇÃO

Antes de utilizar este produto, leia atentamente o manual. Conserve o manual para consulta futura.



### **Atenção – Choque elétrico**

Guarde este produto num local seco e não o exponha ao pó nem à luz do sol.

- \* Respeite a direção de inserção dos conectores.
- \* Não torça nem puxe os conectores e os cabos.
- \* Não derrame quaisquer líquidos sobre o produto ou os respetivos conectores.
- \* Não provoque um curto-circuito no produto.
- \* Não desmonte este produto (à exceção dos possíveis ajustes descritos neste manual), não tente queimar o produto e não exponha o produto a temperaturas elevadas.



### **Aviso – Lesões causadas por movimentos repetitivos**

A utilização de uma alavanca de velocidades ou de um travão de mão pode causar dores nos músculos e articulações. Para evitar quaisquer problemas:

- \* Evite jogar durante longos períodos de tempo.
- \* Faça um intervalo de 10 a 15 minutos após cada hora de jogo.
- \* Se sentir cansaço ou dores nas mãos, pulsos ou braços, pare de jogar e descanse durante algumas horas antes de recomeçar a jogar.
- \* Se os sintomas ou as dores acima indicados persistirem quando recomeçar a jogar, pare de jogar e consulte o seu médico.
- \* Verifique se a base do TSS HANDBRAKE está corretamente montada, conforme descrito nas instruções fornecidas neste manual.



### **Atenção – Risco de entalamento nas aberturas da chapa da alavanca de velocidades**

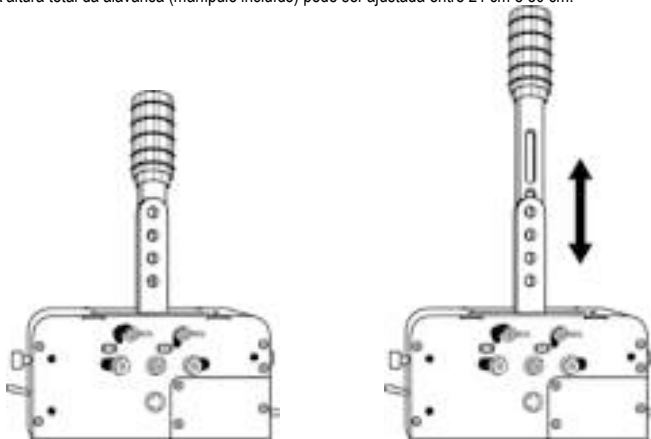
- \* Guarde fora do alcance das crianças.
- \* Quando jogar, nunca coloque os dedos (ou qualquer outra parte do corpo) nas aberturas das chapas da alavanca de velocidades do TSS HANDBRAKE.

**NUNCA**

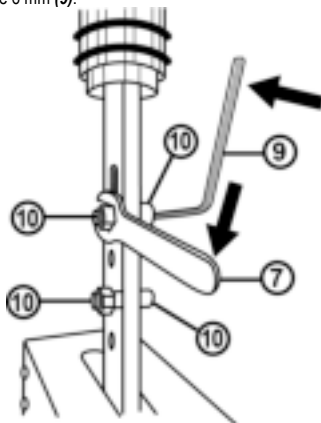


## INSTALAR A ALAVANCA DE VELOCIDADES AMOVÍVEL (1) NOS BRAÇOS DE FIXAÇÃO (2)

1. Deslize a alavanca de velocidades amovível (1) entre os braços de fixação (2).
2. Ajuste a alavanca para a altura pretendida.  
A altura total da alavanca (manipulo incluído) pode ser ajustada entre 21 cm e 30 cm.



3. Fixe a alavanca aos braços de fixação utilizando 2 parafusos BTR M8 (10), 2 porcas M8 (10) e a chave sextavada de 6 mm (9).

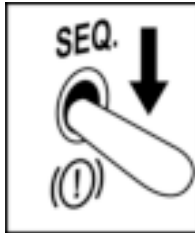


## CONFIGURAR O MODO DE TRAVÃO DE MÃO

Por predefinição (ao desembalar o dispositivo), o TSS HANDBRAKE está configurado no modo TRAVÃO DE MÃO.

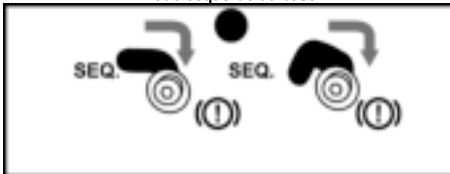
1. O seletor TRAVÃO DE MÃO / ALAVANCA DE VELOCIDADES (3) está descido para a posição do modo TRAVÃO DE MÃO.

Face frontal da base

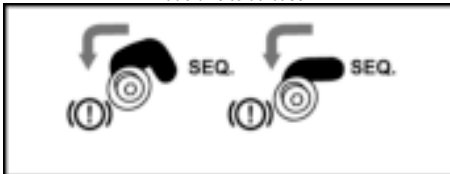


2. O sistema mecânico que lhe permite mudar do modo TRAVÃO DE MÃO para o modo ALAVANCA DE VELOCIDADES SEQUENCIAL (4) está predefinido na posição TRAVÃO DE MÃO.

Lado esquerdo da base



Lado direito da base



## CONFIGURAR O MODO DE ALAVANCA DE VELOCIDADES SEQUENCIAL

1. Suba o seletor TRAVÃO DE MÃO / ALAVANCA DE VELOCIDADES (3) para a posição do modo ALAVANCA DE VELOCIDADES SEQUENCIAL.

Face frontal da base



2. Para mudar do modo TRAVÃO DE MÃO para o modo ALAVANCA DE VELOCIDADES SEQUENCIAL (4), utilize a chave sextavada de 3 mm (8) para desapertar ligeiramente os parafusos do sistema mecânico (2 parafusos, situado de cada lado da base).
3. Mova estes 4 parafusos (2 parafusos, situados de cada lado da base) para a posição SEQ.

Lado esquerdo da base



Lado direito da base

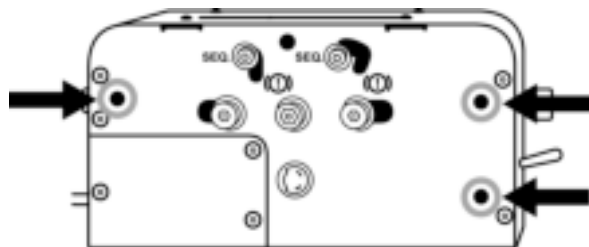
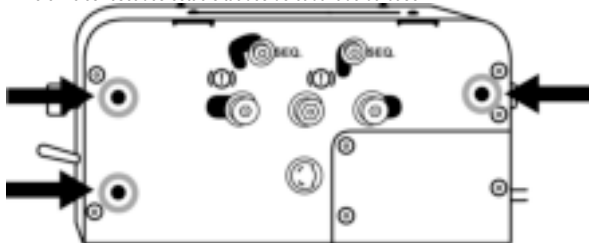


4. Verifique se estes 4 parafusos (2 de cada lado da base) estão perfeitamente reposicionados e, em seguida, aperte-os utilizando a chave sextavada de 3 mm (8).

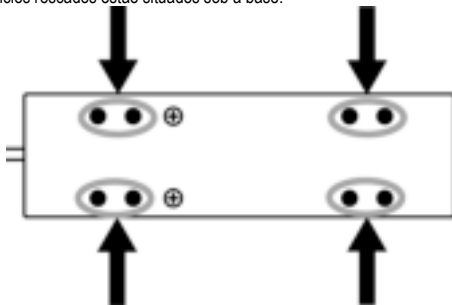
## INSTALAR O TSS HANDBRAKE

O TSS HANDBRAKE pode ser fixado a vários suportes compatíveis (vendidos à parte), utilizando os orifícios roscados M6 situados de cada lado do dispositivo e sob a respetiva base:

- 3 orifícios roscados estão situados de cada lado da base.



- 8 orifícios roscados estão situados sob a base.



O modelo de instalação em cockpit do TSS HANDBRAKE está disponível em <https://support.thrustmaster.com>. Selecione Volantes / TSS HANDBRAKE e em seguida Template - Cockpit Setup.



## NÃO APERTE NEM DESAPERTE ESTES PARAFUSOS

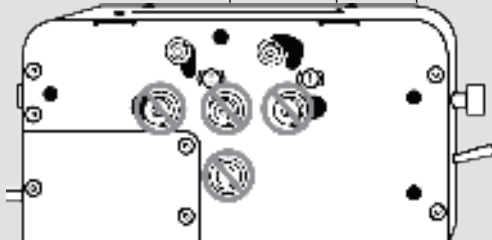


À exceção dos parafusos relativos ao sistema mecânico utilizados para mudar do modo TRAVÃO DE MÃO para o modo ALAVANCA DE VELOCIDADES SEQUENCIAL (4), nunca aperte nem desaperte quaisquer parafusos situados na base do TSS HANDBRAKE.

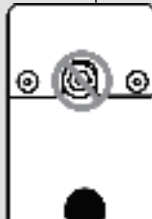
Lado esquerdo da base = Nunca aperte nem desaperte estes parafusos:



Lado direito da base = Nunca aperte nem desaperte estes parafusos:



Lados frontal e posterior da base = Nunca aperte nem desaperte estes parafusos:





## INSTRUÇÕES DE INSTALAÇÃO PARA O PC

1. Vá até <https://support.thrustmaster.com> para transferir os controladores para PC. Selecione Volantes / TSS HANDBRAKE, seguido de Controladores.
2. Quando a transferência estiver concluída, execute o programa de instalação e siga as instruções apresentadas no ecrã.
3. Quando o programa de instalação lhe pedir, ligue o TSS HANDBRAKE a uma das portas USB do PC utilizando o cabo macho DIN/USB amovível (6) e conclua a instalação do controlador.
4. Quando a instalação tiver terminado, clique em Concluir e reinicie o computador.
5. Selecione Iniciar / Todos os Programas / Thrustmaster / TH8 Shifter / Control Panel para abrir a janela Controladores de jogos.

A janela Controladores de jogos mostra o nome **TSS HANDBRAKE Sparco® Mod**, com o estado OK.

6. Clique em propriedades para ver o TSS HANDBRAKE no Painel de Controlo do Windows:



## No PC, quando o TSS HANDBRAKE é ligado a uma porta USB utilizando o cabo macho DIN/USB amovível (6), o TSS HANDBRAKE é compatível:

- Com o modo TRAVÃO DE MÃO [Progressivo] e o modo ALAVANCA DE VELOCIDADES SEQUENCIAL [+/-];
- Com todos os jogos que suportam multi-USB e travões de mão e alavancas de velocidades separados;
- Com todos os volantes do mercado.

## No PC, quando o TSS HANDBRAKE é ligado à parte posterior de uma base de volante Thrustmaster compatível utilizando o cabo mini-DIN/DIN amovível (11), o TSS HANDBRAKE é compatível:

- Apenas com o modo ALAVANCA DE VELOCIDADES SEQUENCIAL [+/-];
- Com todos os jogos (uma vez que o TSS HANDBRAKE é combinado com as pás de mudança de velocidades UP e DOWN do volante);
- Apenas com as bases de volantes Thrustmaster compatíveis (TS-PC Racer, T-GT, T300, TS-XW Racer e TX).

**!** **IMPORTANTE:** deve atualizar o firmware da sua base de volante (TS-PC Racer, T-GT, T300, TS-XW Racer e TX) para a versão mais recente disponível em <https://support.thrustmaster.com/> a fim de poder ligar um TSS HANDBRAKE à base do volante.

## Notas gerais para o PC

- \* Feche sempre completamente a janela Controladores de jogos clicando em OK antes de iniciar o jogo.
- \* A versão do firmware do TSS HANDBRAKE é indicada na secção superior direita dos separadores do Control Panel.
- \* Se optar por utilizar uma ligação USB, recomendamos que ligue o seu volante e o TSS HANDBRAKE diretamente às portas USB 2.0 (não USB 3.0) no PC, sem utilizar um concentrador.
- \* Alguns jogos permitem-lhe utilizar 2 dispositivos TSS HANDBRAKE em simultâneo:
  - 1 TSS HANDBRAKE configurado no modo TRAVÃO DE MÃO;
  - 1 TSS HANDBRAKE configurado no modo ALAVANCA DE VELOCIDADES SEQUENCIAL.

## INSTALAÇÃO NA PS4™ E XBOX ONE®

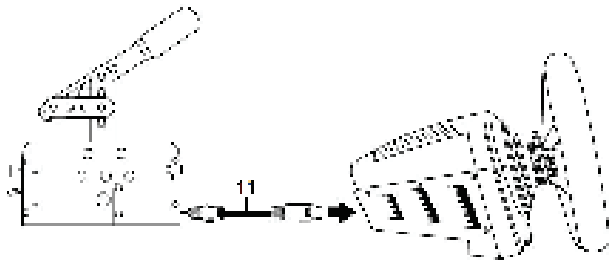
Na PS4™ e Xbox One®, o TSS HANDBRAKE é compatível com as seguintes bases de volantes:

- Thrustmaster T-GT e T300 na PS4™
- Thrustmaster TS-XW Racer e TX na Xbox One®

**⚠ IMPORTANTE:** de modo a assegurar o máximo desempenho do TSS HANDBRAKE na PS4™ e Xbox One®, deve atualizar o firmware da sua base de volante (T-GT, T300, TS-XW Racer ou TX) para a versão mais recente disponível em <https://support.thrustmaster.com/>.

### Instalação:

1. Com o cabo mini-DIN/DIN amovível (11), ligue o TSS HANDBRAKE diretamente à porta mini-DIN fêmea situada na parte posterior da base do volante.



2. Ligue o volante à consola.

ESTÁ AGORA PRONTO PARA COMEÇAR A JOGAR!

### Notas gerais para a PS4™ e Xbox One®:

- Nunca utilize nem ligue o cabo macho DIN/USB amovível (6) na PS4™ e Xbox One®. O TSS HANDBRAKE deve ser ligado sempre a uma base de volante Thrustmaster compatível, e não à consola.
- Quando o TSS HANDBRAKE é ligado a uma base de volante Thrustmaster compatível:
  - O modo ALAVANCA DE VELOCIDADES SEQUENCIAL [+/-] funciona em todos os jogos, uma vez que é combinado com as pás de mudança de velocidades UP e DOWN do volante.
  - O modo TRAVÃO DE MÃO [Progressivo] funciona nos jogos que suportam a função de travão de mão\*.

\* Lista de jogos para a PS4™ e Xbox One® compatíveis com travões de mão disponível em <https://support.thrustmaster.com/>. Na secção **Volantes**, selecione **TM SIM HUB** ou **TSS Handbrake Sparco® Mod**.

## RESUMO DAS LIGAÇÕES DO TSS HANDBRAKE DE ACORDO COM A PLATAFORMA UTILIZADA

	Ligação do TSS HANDBRAKE
<b>PC</b> (modo TRAVÃO DE MÃO e modo ALAVANCA DE VELOCIDADES SEQUENCIAL)	Ao PC, utilizando o cabo macho DIN/USB amovível <b>(6)</b> . Compatível com todos os volantes do mercado.
<b>PC</b> (apenas modo ALAVANCA DE VELOCIDADES SEQUENCIAL)	À parte posterior de uma base de volante Thrustmaster compatível, utilizando o cabo mini-DIN/DIN amovível <b>(11)</b> .
<b>PS4™</b> (modo TRAVÃO DE MÃO e modo ALAVANCA DE VELOCIDADES SEQUENCIAL)	À parte posterior de uma base de volante Thrustmaster compatível, utilizando o cabo mini-DIN/DIN amovível <b>(11)</b> .
<b>XBOX ONE®</b> (modo TRAVÃO DE MÃO e modo ALAVANCA DE VELOCIDADES SEQUENCIAL)	À parte posterior de uma base de volante Thrustmaster compatível, utilizando o cabo mini-DIN/DIN amovível <b>(11)</b> .

## ATUALIZAR O FIRMWARE DO TSS HANDBRAKE

O firmware incluído na base do TSS HANDBRAKE pode ser atualizado (o que significa que pode ser atualizado para uma versão mais recente, contendo melhoramentos do produto).

Para visualizar a versão do firmware do TSS HANDBRAKE e atualizá-lo, se necessário: num PC, vá até <https://support.thrustmaster.com>, selecione **Volantes / TSS HANDBRAKE**, selecione **Firmware** e siga as instruções. e o procedimento de transferência e instalação.

## SOFTWARE DE CALIBRAGEM AVANÇADA

O procedimento de calibragem do TSS HANDBRAKE é automático.

Está igualmente disponível uma aplicação de software de calibragem avançada para o PC em <https://support.thrustmaster.com>; seleccione Volantes / TSS HANDBRAKE, seguido de Software.

Este software permite-lhe ajustar o seguinte:

- Curso analógico no modo TRAVÃO DE MÃO;
- Curso analógico no modo ALAVANCA DE VELOCIDADES SEQUENCIAL.

**Assim que as definições tiverem sido ajustadas, serão guardadas imediatamente na memória interna do TSS HANDBRAKE, passando a ser utilizadas em todos os seus jogos, seja no PC, PS4™ ou Xbox One®.**

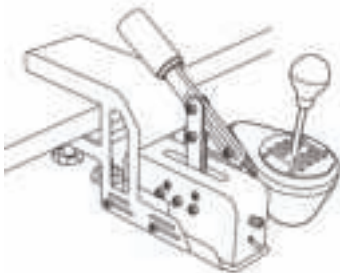
## CONSELHOS E SUGESTÕES (não fornecidos neste manual)

Estão disponíveis vários conselhos e sugestões no sítio Web <https://support.thrustmaster.com>; seleccione Volantes / TSS HANDBRAKE.

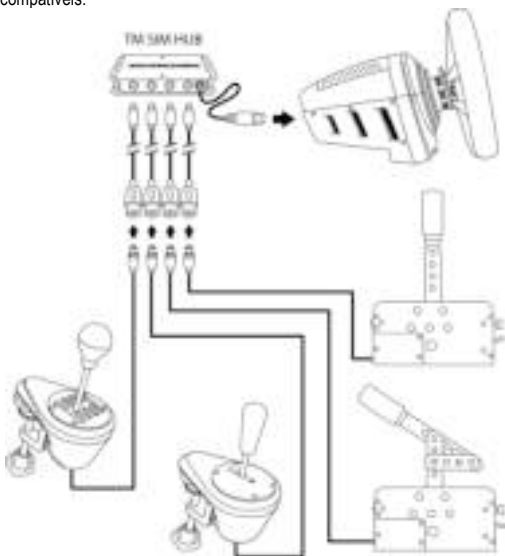
## ECOSSISTEMA

O TSS HANDBRAKE é igualmente compatível com outros acessórios vendidos à parte:

\* **TM RACING CLAMP:** um suporte robusto que permite aos jogadores montar em segurança o TSS Handbrake e a alavanca de velocidades TH8A diretamente numa mesa ou secretária, sem necessidade de um cockpit.



\* **TM SIM HUB:** um concentrador que permite aos utilizadores ligar simultaneamente até quatro acessórios diretamente ao conector mini-DIN situado na parte posterior de bases de volantes Thrustmaster compatíveis.



## **INFORMAÇÕES SOBRE A GARANTIA PARA O CONSUMIDOR**

A Guillemot Corporation S.A., com sede social sita em Place du Granier, B.P. 97143, 35571 Chantepeie, França (a seguir designada como "Guillemot") garante a nível mundial ao consumidor que este produto Thrustmaster está livre de defeitos em termos de materiais e fabrico durante um período de garantia que corresponde ao limite de tempo para intentar uma ação de conformidade relativamente a este produto. Nos países da União Europeia, isto corresponde a um período de dois (2) anos desde a entrega do produto Thrustmaster. Noutros países, o período de garantia corresponde ao limite de tempo para intentar uma ação de conformidade relativamente ao produto Thrustmaster de acordo com a legislação em vigor do país no qual o consumidor residia à data de compra do produto Thrustmaster (se a dita ação não existir no país correspondente, então o período de garantia será de um (1) ano a partir da data de compra original do produto Thrustmaster.

No caso de o produto apresentar algum defeito durante o período da garantia, contacte imediatamente o Suporte Técnico, que lhe indicará o procedimento a tomar. Se esse defeito se confirmar, o produto terá de ser devolvido ao respetivo local de compra (ou qualquer outro local indicado pelo Suporte Técnico).

No âmbito da presente garantia, e por opção do Suporte Técnico, o produto defeituoso do consumidor será substituído ou reparado. Se, durante o período da garantia, o produto Thrustmaster for submetido à dita reparação, qualquer período mínimo de (7) dias durante o qual o produto estiver fora de serviço será adicionado ao período da garantia restante (este período decorre desde a data do pedido intervenção pelo consumidor ou desde a data em que o produto em questão é disponibilizado para reparação, se a data em que o produto é disponibilizado para reparação for posterior à data do pedido de intervenção). Se for permitido pela legislação em vigor, a responsabilidade total da Guillemot e das respetivas filiais (incluindo para danos indiretos) está limitada à reparação ou à substituição do produto Thrustmaster. Se for permitido pela legislação em vigor, a Guillemot rejeita todas as garantias de comercialização ou adequação a um fim específico.

A presente garantia não se aplicará: (1) se o produto tiver sido modificado, aberto, alterado ou danificado em resultado de utilização inadequada ou abusiva, negligência, acidente, desgaste normal ou qualquer outra causa relacionada com um defeito de material ou fabrico (incluindo, mas sem limitação, combinar o produto Thrustmaster com qualquer elemento inadequado, incluindo, em particular, fontes de alimentação, baterias recarregáveis, carregadores ou quaisquer outros elementos não fornecidos pela Guillemot para este produto); (2) se o produto tiver sido utilizado fora do âmbito da utilização doméstica, incluindo para fins profissionais ou comerciais (salas de jogos, treino e competições, por exemplo); (3) na eventualidade de incumprimento das instruções fornecidas pelo Suporte Técnico; (4) a software, estando o mesmo sujeito a uma garantia específica; (5) a consumíveis (elementos para substituir ao longo da vida útil do produto: baterias descartáveis, auscultadores de áudio ou auriculares de auscultadores, por exemplo); (6) a acessórios (cabos, estojos, bolsas, sacos e correias de pulso, por exemplo); (7) se o produto foi vendido num leilão público.

A presente garantia não é transmissível.

Os direitos legais do consumidor no que concerne à legislação aplicável à venda de bens de consumo no seu país não são afetados pela presente garantia.

### Disposições de garantia adicionais

Durante o período da garantia, a Guillemot não fornecerá, em princípio, quaisquer peças de substituição, uma vez que o Suporte Técnico é a única parte autorizada a abrir e/ou reparar qualquer produto Thrustmaster (à exceção de quaisquer procedimentos de reparação que o Suporte Técnico possa pedir ao consumidor para realizar, através de instruções por escrito – por exemplo, devido à simplicidade e à falta de confidencialidade do processo de reparação – e fornecendo ao consumidor a(s) peça(s) de substituição necessária(s), quando aplicável).

Tendo em conta os seus ciclos de inovação, e a fim de proteger o seu know-how e segredos comerciais, a Guillemot não fornecerá, em princípio, qualquer notificação de reparação ou peças de substituição para produtos Thrustmaster cujo período da garantia tenha expirado.

### Responsabilidade

Se for permitido ao abrigo da legislação aplicável, a Guillemot Corporation S.A. (a seguir designada "Guillemot") e as respetivas filiais rejeitam qualquer responsabilidade por danos resultantes de uma ou mais das seguintes causas: (1) o produto foi modificado, aberto ou alterado; (2) incumprimento das instruções de montagem; (3) utilização inadequada ou abusiva, negligência ou acidente (um impacto, por exemplo); (4) desgaste normal; (5) utilização do produto fora do âmbito além da utilização doméstica, incluindo para fins profissionais ou comerciais (salas de jogos, treino e competições, por exemplo). Se for permitido ao abrigo da legislação aplicável, a Guillemot e as respetivas filiais rejeitam qualquer responsabilidade por danos relacionados com um defeito de material ou fabrico relativamente ao produto (incluindo, mas sem limitação, quaisquer danos causados direta ou indiretamente por qualquer software ou por combinar o produto Thrustmaster com qualquer elemento inadequado, incluindo, em particular, fontes de alimentação, baterias recarregáveis, carregadores ou quaisquer outros elementos não fornecidos pela Guillemot para este produto).

**THRUSTMASTER®**

**SUPOORTE TÉCNICO**

<https://support.thrustmaster.com>





## DIREITOS DE AUTOR

© 2019 Guillemot Corporation S.A. Todos os direitos reservados. Thrustmaster® é uma marca registada da Guillemot Corporation S.A. PlayStation® é uma marca registada da Sony Interactive Entertainment Inc. Windows® é uma marca registada da Microsoft Corporation nos Estados Unidos e/ou noutros países. Sparco é uma marca registada da Sparco S.p.A. Todas as outras marcas comerciais pertencem aos respetivos proprietários. As ilustrações não são vinculativas. Os conteúdos, desenhos e especificações estão sujeitos a alteração sem aviso prévio e podem variar de país para país. Fabricado na China.

## RECOMENDAÇÕES DE PROTECÇÃO AMBIENTAL



Na União Europeia: Quando este produto chegar ao fim da sua vida útil, não o elimine juntamente com os resíduos domésticos normais; em vez disso, deixe-o num ponto de recolha de resíduos de equipamento elétrico e eletrónico (REEE) para posterior reciclagem.

O símbolo presente no produto, no manual de utilizador ou na caixa confirma-o.

Os materiais podem ser reciclados, dependendo das suas características. Através da reciclagem e de outras formas de processamento de resíduos de equipamento elétrico e eletrónico, pode dar um importante contributo no sentido de ajudar a proteger o ambiente.

Contacte as autoridades locais para saber onde fica o ponto de recolha mais perto da sua área de residência.

Relativamente a todos os outros países: Respeite a legislação local sobre a reciclagem de equipamento elétrico e eletrónico.

Informações a reter. As cores e as decorações podem variar.

Os fechos e os adesivos devem ser removidos do produto antes da utilização.

**[www.thrustmaster.com](http://www.thrustmaster.com)**

*\*Aplicável apenas à União Europeia e Turquia*

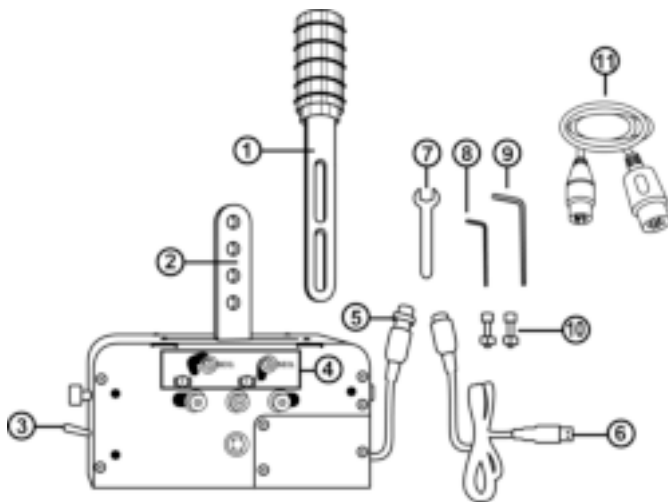


# TSS HANDBRAKE+

## sparco® Mod

ПК — PS4™ — Xbox One®

### Инструкция по эксплуатации



### ТЕХНИЧЕСКИЕ ХАРАКТЕРИСТИКИ

- |                                                                                                                       |                                            |
|-----------------------------------------------------------------------------------------------------------------------|--------------------------------------------|
| 1 Съёмный рычаг (не установлен по умолчанию)                                                                          | 5 Кабель DIN и гнездо на базе              |
| 2 Крепежные рычаги                                                                                                    | 6 Съёмный кабель с разъемами DIN/USB       |
| 3 Переключатель режима РУЧНОЙ ТОРМОЗ / СЕКВЕНЦИОННЫЙ ПЕРЕКЛЮЧАТЕЛЬ ПЕРЕДАЧ                                            | 7 Гаечный ключ 13 мм                       |
| 4 Механическая система переключения (для перехода между режимами РУЧНОЙ ТОРМОЗ и СЕКВЕНЦИОННЫЙ ПЕРЕКЛЮЧАТЕЛЬ ПЕРЕДАЧ) | 8 6-гранный ключ 3 мм                      |
|                                                                                                                       | 9 6-гранный ключ 6 мм                      |
|                                                                                                                       | 10 2 винта BTR M8 + 2 гайки M8             |
|                                                                                                                       | 11 Съёмный кабель с разъемами мини-DIN/DIN |

## ВНИМАНИЕ!

Перед эксплуатацией данного изделия внимательно ознакомьтесь с настоящей инструкцией. Сохраните инструкцию для дальнейшего использования.



### **Внимание — опасность поражения электрическим током!**

- \* Изделие следует хранить в сухом месте, избегая попадания на него пыли и солнечного света.
- \* Следует соблюдать направление подключения разъемов.
- \* Не допускается перекручивание разъемов и кабелей; кабели нельзя тянуть.
- \* Не допускается попадание жидкости на изделие и его разъемы.
- \* Не допускается короткое замыкание в цепи изделия.
- \* Запрещается разбирать изделие, кроме как в целях регулировки, описанной в настоящем руководстве; нельзя сжигать изделие и подвергать его воздействию высоких температур.



### **Внимание — риск травмирования по причине многократно повторяющихся движений!**

Использование переключателя передач или ручного тормоза может привести к возникновению мышечных и суставных болей. Советы по предотвращению проблем со здоровьем:

- \* старайтесь не играть слишком долго;
- \* после каждого часа игры делайте 10-15-минутный перерыв;
- \* если в кистях, запястьях или предплечьях появилась усталость или боль, прекратите игру и отдохните в течение нескольких часов, прежде чем снова приступить к игре;
- \* если вышеуказанные признаки проявляются снова при возвращении к игре, прекратите игру и обратитесь к врачу;
- \* база устройства TSS HANDBRAKE должна быть надежно закреплена, как описано в настоящей инструкции.



### **Внимание — риск защемления в щелях направляющей переключения!**

- \* Храните изделие вне доступа детей.
- \* Во время игры ни в коем случае не вставляйте пальцы (или иные части тела) в отверстия на направляющей переключения TSS HANDBRAKE.

**НЕЛЬЗЯ**

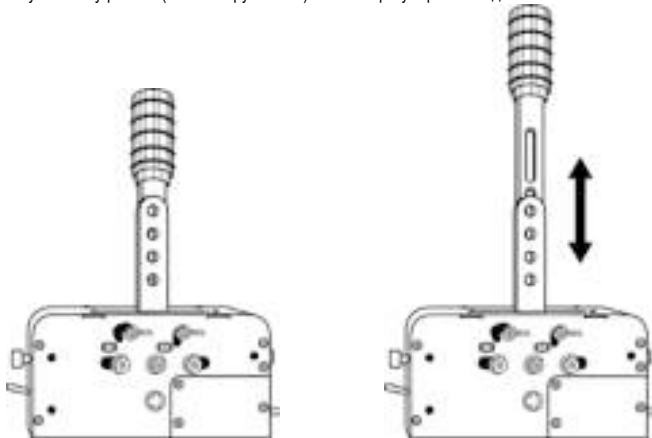


## УСТАНОВКА СЪЕМНОГО РЫЧАГА (1) НА КРЕПЕЖНЫХ РЫЧАГАХ (2)

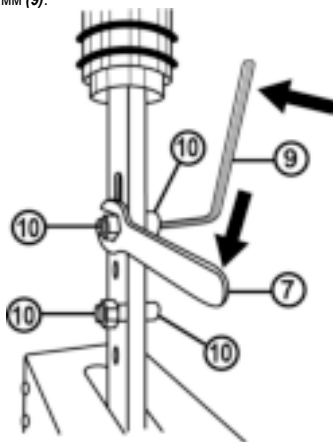
1. Вставьте съемный рычаг (1) между крепежными рычагами (2).

2. Отрегулируйте рычаг по высоте.

Полную высоту рычага (вместе с рукояткой) можно отрегулировать в диапазоне 21 — 30 см.



3. Прикрепите рычаг к крепежным рычагам с помощью 2 винтов BTR M8 (10), 2 гаек M8 (10) и 6-гранного ключа 6 мм (9).



## НАСТРОЙКА РЕЖИМА РУЧНОГО ТОРМОЗА

По умолчанию (при продаже) устройство TSS HANDBRAKE находится в режиме РУЧНОЙ ТОРМОЗ.

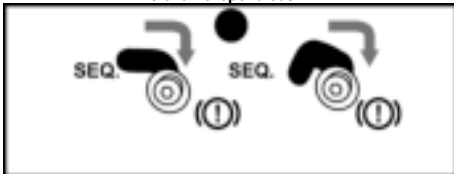
1. Переключатель режима РУЧНОЙ ТОРМОЗ / ПЕРЕКЛЮЧАТЕЛЬ ПЕРЕДАЧ (3) переведен в нижнее положение, РУЧНОЙ ТОРМОЗ.

Передняя панель базы

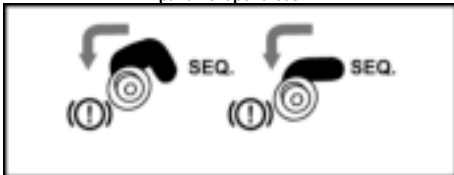


2. Механическая система, обеспечивающая переключение между режимами РУЧНОЙ ТОРМОЗ и СЕКВЕНЦИОННЫЙ ПЕРЕКЛЮЧАТЕЛЬ ПЕРЕДАЧ, (4) по умолчанию переведена в положение РУЧНОЙ ТОРМОЗ.

Левая сторона базы



Правая сторона базы



## НАСТРОЙКА РЕЖИМА СЕКВЕНЦИОННОГО ПЕРЕКЛЮЧАТЕЛЯ ПЕРЕДАЧ

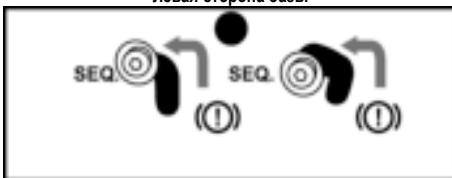
1. Поднимите переключатель режима РУЧНОЙ ТОРМОЗ / ПЕРЕКЛЮЧАТЕЛЬ ПЕРЕДАЧ (3) в положение режима СЕКВЕНЦИОННЫЙ ПЕРЕКЛЮЧАТЕЛЬ ПЕРЕДАЧ.

Передняя панель базы



2. Для перехода из режима РУЧНОЙ ТОРМОЗ в режим СЕКВЕНЦИОННЫЙ ПЕРЕКЛЮЧАТЕЛЬ ПЕРЕДАЧ (4) слегка ослабьте винты механической системы (по 2 винта на каждой стороне базы) с помощью 3-мм 6-гранного ключа (8).
3. Переведите эти 4 винта (по 2 винта на каждой стороне базы) в положение SEQ.

Левая сторона базы



Правая сторона базы

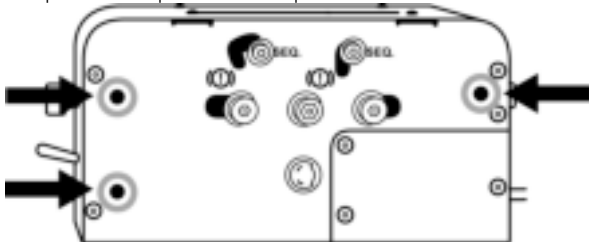


4. Убедитесь, что эти 4 винта (по 2 на каждой стороне базы) переведены надлежащим образом, и затяните их с помощью 3-мм 6-гранного ключа (8).

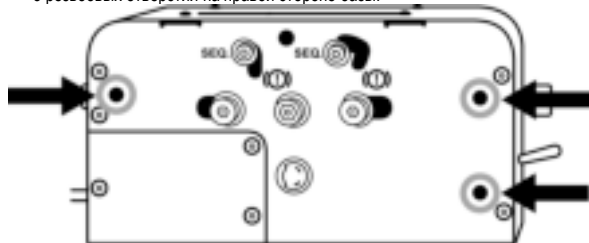
## УСТАНОВКА УСТРОЙСТВА TSS HANDBRAKE

Устройство TSS HANDBRAKE можно закрепить на самых разных совместимых опорах (приобретаются отдельно) с помощью резьбовых отверстий М6, расположенных на каждой стороне устройства и на основании базы.

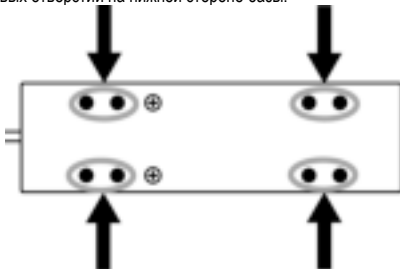
- 3 резьбовых отверстия на левой стороне базы.



- 3 резьбовых отверстия на правой стороне базы.



- 8 резьбовых отверстий на нижней стороне базы.



Схему установки устройства TSS HANDBRAKE на кокпите можно загрузить с сайта <https://support.thrustmaster.com>. Выберите «Рулевые системы / TSS HANDBRAKE», затем «Инструкция по эксплуатации — Установка в кокпит».



## НЕ ЗАТЯГИВАЙТЕ И НЕ ОСЛАБЛЯЙТЕ ЭТИ ВИНТЫ!



За исключением винтов, относящихся к механической системе переключения режимов РУЧНОЙ ТОРМОЗ и СЕКВЕНЦИОННЫЙ ПЕРЕКЛЮЧАТЕЛЬ ПЕРЕДАЧ (4), не затягивайте и не ослабляйте никакие винты, расположенные на базе TSS HANDBRAKE.

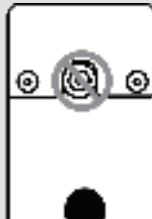
Левая сторона базы = никогда не затягивайте и не ослабляйте эти винты:



Правая сторона базы = никогда не затягивайте и не ослабляйте эти винты:



Передняя и задняя стороны базы = никогда не затягивайте и не ослабляйте эти винты:





## ИНСТРУКЦИИ ПО УСТАНОВКЕ ДЛЯ ПК

1. Перейдите на сайт <https://support.thrustmaster.com> и загрузите ПК-драйверы.

Выберите «Рулевые системы / TSS HANDBRAKE», затем «Драйверы».

2. После завершения загрузки запустите программу установки и выполните указания на экране.

3. Когда в программе установки отобразится соответствующее указание, подключите устройство TSS HANDBRAKE к одному из USB-портов ПК с помощью съемного кабеля с разъемами DIN/USB (6) и завершите установку драйвера.

4. После завершения установки щелкните кнопку «Готово» и перезапустите компьютер.

5. Выберите «Пуск / Все программы / Thrustmaster / TH8 Shifter / Control Panel», чтобы открыть окно «Игровые устройства».

В окне «Игровые устройства» отображается устройство **TSS HANDBRAKE Sparco® Mod** со статусом OK.

6. Щелкните «Свойства», чтобы просмотреть свойства TSS HANDBRAKE на Панели управления Windows:



**При подключении устройства TSS HANDBRAKE к USB-порту ПК с помощью съемного кабеля с разъемами DIN/USB (6) TSS HANDBRAKE поддерживает следующую совместимость:**

- режимы РУЧНОЙ ТОРМОЗ [прогрессивный] и СЕКВЕНЦИОННЫЙ ПЕРЕКЛЮЧАТЕЛЬ ПЕРЕДАЧ [+/-];
- все игры с поддержкой мульти-USB и автономных ручных тормозов и переключателей передач;
- все имеющиеся на рынке рулевые системы.

**При подключении устройства TSS HANDBRAKE к задней стороне совместимой базы рулевой системы Thrustmaster с помощью съемного кабеля с разъемами мини-DIN/DIN (11), TSS HANDBRAKE поддерживает следующую совместимость:**

- только режим СЕКВЕНЦИОННЫЙ ПЕРЕКЛЮЧАТЕЛЬ ПЕРЕДАЧ [+/-];
- все игры (так как TSS HANDBRAKE комбинируется с функциями UP и DOWN лепестковых переключателей передач);
- только совместимые базы рулевых систем Thrustmaster (TS-PC Racer, T-GT, T300, TS-XW Racer и TX).



**ВНИМАНИЕ!** Для подключения TSS HANDBRAKE к базе рулевой системы необходимо обновить прошивку базы (TS-PC Racer, T-GT, T300, TS-XW Racer и TX), установив последнюю версию прошивки с сайта <https://support.thrustmaster.com/>.

## Общие примечания для ПК

- \* Перед запуском игры обязательно закройте окно «Игровые устройства» щелчком по кнопке ОК.
- \* Версия прошивки устройства TSS HANDBRAKE отображается в верхнем правом углу на вкладках Панели управления.
- \* Если используется USB-подключение, рекомендуется подключать рулевую систему и устройство TSS HANDBRAKE непосредственно к портам USB 2.0 (а не USB 3.0) на ПК, без использования USB-концентратора.
- \* Некоторые игры поддерживают одновременное использование двух устройств TSS HANDBRAKE:
  - 1 устройство TSS HANDBRAKE в режиме РУЧНОЙ ТОРМОЗ;
  - 1 устройство TSS HANDBRAKE в режиме СЕКВЕНЦИОННЫЙ ПЕРЕКЛЮЧАТЕЛЬ ПЕРЕДАЧ.

## УСТАНОВКА НА PS4™ И XBOX ONE®

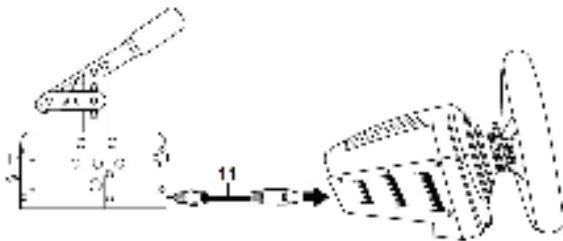
На PS4™ и Xbox One® TSS HANDBRAKE совместим со следующими базами рулевых систем:

- Thrustmaster T-GT и T300 — на PS4™;
- Thrustmaster TS-XW Racer и TX — на Xbox One®.

**⚠ ВНИМАНИЕ!** Для обеспечения оптимальной работы устройства TSS HANDBRAKE на PS4™ и Xbox One® необходимо обновить прошивку базы рулевой системы (T-GT, T300, TS-XW Racer или TX), установив последнюю версию прошивки с сайта <https://support.thrustmaster.com/>.

### Установка

1. С помощью съемного кабеля с разъемами мини-DIN/DIN (11) подключите устройство TSS HANDBRAKE напрямую к гнезду мини-DIN на задней стороне базы рулевой системы.



2. Подключите рулевую систему к консоли.

ТЕПЕРЬ ВСЕ ГОТОВО ДЛЯ ИГРЫ!

### Общие замечания по PS4™ и Xbox One®

- Нельзя использовать съемный кабель с разъемами DIN/USB (6) для подключения к PS4™ и Xbox One®. Устройство TSS HANDBRAKE следует подключать только к совместимым базам рулевых систем Thrustmaster, но не к консоли.

- Когда устройство TSS HANDBRAKE подключено к совместимой базе рулевой системы Thrustmaster:

- режим СЕКВЕНЦИОННОГО ПЕРЕКЛЮЧАТЕЛЯ ПЕРЕДАЧ [+/-] работает во всех играх, поскольку он совмещается с функциями UP и DOWN лепестковых переключателей передач;
- режим РУЧНОГО ТОРМОЗА [прогрессивный] работает в играх с поддержкой функции ручного тормоза\*.

\* Перечень игр для PS4™ и Xbox One®, поддерживающих функцию ручного тормоза, можно найти на сайте <https://support.thrustmaster.com/>. В разделе **Рулевые системы** выберите **TM SIM HUB** или **TSS Handbrake Sparco® Mod**.

## СВОДНАЯ СПРАВКА ПО ПОДКЛЮЧЕНИЮ УСТРОЙСТВА TSS HANDBRAKE СОГЛАСНО ИСПОЛЪЗУЕМОЙ ПЛАТФОРМЕ

	Подключение устройства TSS HANDBRAKE
<b>ПК</b> (режимы РУЧНОЙ ТОРМОЗ и СЕКВЕНЦИОННЫЙ ПЕРЕКЛЮЧАТЕЛЬ ПЕРЕДАЧ)	К ПК с помощью съемного кабеля с разъемами DIN/USB (6). Совместимо со всеми имеющимися на рынке рулевыми системами.
<b>ПК</b> (только режим СЕКВЕНЦИОННЫЙ ПЕРЕКЛЮЧАТЕЛЬ ПЕРЕДАЧ)	К задней стороне совместимой базы рулевой системы Thrustmaster с помощью съемного кабеля с разъемами мини-DIN/DIN (11).
<b>PS4™</b> (режимы РУЧНОЙ ТОРМОЗ и СЕКВЕНЦИОННЫЙ ПЕРЕКЛЮЧАТЕЛЬ ПЕРЕДАЧ)	К задней стороне совместимой базы рулевой системы Thrustmaster с помощью съемного кабеля с разъемами мини-DIN/DIN (11).
<b>XBOX ONE®</b> (режимы РУЧНОЙ ТОРМОЗ и СЕКВЕНЦИОННЫЙ ПЕРЕКЛЮЧАТЕЛЬ ПЕРЕДАЧ)	К задней стороне совместимой базы рулевой системы Thrustmaster с помощью съемного кабеля с разъемами мини-DIN/DIN (11).

### ОБНОВЛЕНИЕ ПРОШИВКИ TSS HANDBRAKE

Прошивку в базе TSS HANDBRAKE можно обновить, то есть заменить более поздней версией, содержащей усовершенствования.

Для просмотра версии прошивки устройства TSS HANDBRAKE и, при необходимости, ее обновления: на ПК откройте сайт <https://support.thrustmaster.com>, выберите **Рулевые системы / TSS HANDBRAKE**, затем **Прошивка** и выполните указания по загрузке и установке.

## РАСШИРЕННОЕ ПО ДЛЯ КАЛИБРОВКИ

Процедура калибровки устройства TSS HANDBRAKE выполняется автоматически.

Кроме того, можно загрузить расширенное калибровочное приложение для ПК: откройте сайт <https://support.thrustmaster.com>, выберите «Рулевые системы / TSS HANDBRAKE», затем «Программное обеспечение». С помощью данной программы можно настраивать следующее:

- аналоговый ход в режиме РУЧНОЙ ТОРМОЗ;
- аналоговый ход в режиме СЕКВЕНЦИОННЫЙ ПЕРЕКЛЮЧАТЕЛЬ ПЕРЕДАЧ.

После регулировки настроек они моментально сохраняются во встроенной памяти устройства TSS HANDBRAKE и, таким образом, применяются во всех играх — на ПК, PS4™ и Xbox One®.

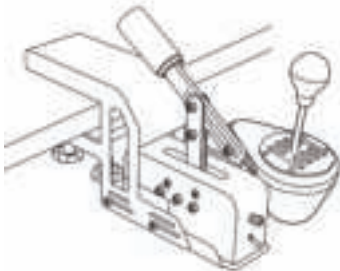
## СОВЕТЫ И РЕКОМЕНДАЦИИ (не приведенные в данной инструкции)

На веб-сайте <https://support.thrustmaster.com> можно найти различные советы и рекомендации: выберите «Рулевые системы/TSS HANDBRAKE».

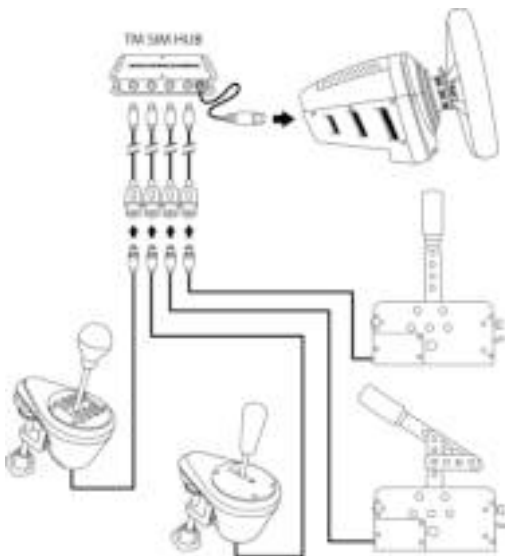
## ЭКОСИСТЕМА

Устройство TSS HANDBRAKE совместимо также с другими отдельно приобретаемыми аксессуарами:

\* **TM RACING CLAMP** — прочный кронштейн для надежного закрепления устройства TSS Handbrake и переключателя передач TH8A на столе без использования кокпита.



\* **TM SIM HUB** — концентратор, позволяющий одновременно подключать до четырех аксессуаров непосредственно к разъему мини-DIN на задней стороне совместимой базы рулевой системы Thrustmaster.



## **Сведения о потребительской гарантии**

Корпорация Guillemot Corporation S.A., зарегистрированная по адресу Place du Granier, B.P. 97143, 35571 Chantepie, Франция, (далее — «Guillemot») гарантирует своим клиентам во всем мире, что в данном изделии Thrustmaster не будет выявлено никаких дефектов материалов и производства в течение гарантийного периода, который равен сроку предъявления претензии по соответствию для данного изделия. В странах Европейского Союза этот срок соответствует двум (2) годам с момента поставки изделия Thrustmaster. В других странах гарантийный период равен сроку предъявления претензии по соответствию для изделия Thrustmaster, определяемому соответствующим законодательством страны, в которой проживал потребитель на момент приобретения изделия Thrustmaster (если подобные претензии не действуют в соответствующей стране, гарантийный период равняется одному (1) году с первоначальной даты приобретения изделия Thrustmaster).

В случае обнаружения дефектов изделия во время гарантийного периода незамедлительно обратитесь в службу технической поддержки, сотрудники которой определят дальнейшую процедуру. Если дефект будет подтвержден, изделие следует вернуть по месту приобретения (или в любое другое место, указанное службой технической поддержки).

В рамках действия гарантии дефектное изделие будет, по усмотрению службы технической поддержки, заменено или возвращено в рабочее состояние. Если в течение гарантийного срока изделие Thrustmaster будет подвержено такому восстановлению, к оставшемуся гарантийному сроку прибавляется период времени, но не менее семи (7) дней, во время которого изделие находилось вне употребления (началом этого периода считается дата запроса покупателя о вмешательстве или дата предоставления дефектного изделия для восстановления, если изделие было предоставлено для восстановления позднее, чем был сделан запрос о вмешательстве). В мере, разрешенной применимым законодательством, полная ответственность компании Guillemot и ее дочерних компаний (в том числе косвенный ущерб) ограничивается восстановлением рабочего состояния или заменой изделия Thrustmaster. В мере, разрешенной применимым законодательством, компания Guillemot отказывается от любых гарантий коммерческой пригодности или пригодности для определенной цели.

Настоящая гарантия не распространяется: (1) на ситуации, когда изделие было видоизменено, открыто, модифицировано или получило повреждения в результате недопустимого или неправильного использования, небрежности или несчастного случая, естественного износа или любой другой причины, не связанной с дефектом материалов или производства (включая, помимо прочего, использование изделия Thrustmaster совместно с любыми неподходящими элементами, в частности — с блоками питания, аккумуляторами, зарядными устройствами и любыми другими элементами, не входящими в комплектацию Guillemot для данного изделия); (2) на случаи использования продукта в любых бытовых, кроме бытовых, в том числе на случаи профессионального или коммерческого применения (например, в игровых залах, для проведения обучения и соревнований); (3) на ситуации, когда указания службы технической поддержки не были выполнены; (4) на ПО, так как на такое ПО распространяется отдельная гарантия; (5) на расходные материалы (элементы, предназначенные для замены в течение срока службы изделия: например, батарейки и ушные подушки для гарнитур или наушников); (6) на аксессуары (например, кабели, чехлы, сумки, футляры, наручные ремешки); (7) на случаи продажи изделия с открытого аукциона.

Данная гарантия не подлежит передаче.

Настоящая гарантия не ущемляет прав потребителя, предоставляемых ему применимыми законами в отношении продажи потребительских товаров в соответствующей стране.

### Дополнительные условия гарантии

В течение гарантийного срока компания Guillemot, в общем и целом, не предоставляет никаких запасных частей, так как вскрытие и/или модификацию любых изделий Thrustmaster вправе осуществлять только служба технической поддержки (за исключением каких-либо процедур по модификации, которые служба технической поддержки может предложить выполнить клиенту путем письменных инструкций и предоставления, при необходимости, требуемых запасных частей: например, в связи с отсутствием статуса сложности или конфиденциальности у такой восстановительной процедуры).

С учетом периода освоения новых изделий и в целях защиты своих ноу-хау и коммерческих тайн компания Guillemot, в общем и целом, не предоставляет каких-либо уведомлений о восстановлении или запасных частей для любых изделий Thrustmaster с истекшим гарантийным сроком.

### Ответственность

В мере, разрешенной применимым законодательством, компания Guillemot Corporation S.A. (далее — «Guillemot») и ее дочерние предприятия отказываются от любой ответственности за любой ущерб, вызванный одним или несколькими из следующих факторов: (1) видоизменение, вскрытие или модификация изделия; (2) несоблюдение инструкций по сборке; (3) недопустимое или неправильное использование, небрежность, несчастный случай (например, физическое воздействие); (4) естественный износ; (5) использование продукта в любых целях, кроме бытовых, в том числе профессиональное или коммерческое применение (например, в игровых залах, для проведение обучения и соревнований). В мере, разрешенной применимым законодательством, компания Guillemot и ее дочерние предприятия отказываются от любой ответственности за любой ущерб, не связанный с дефектами материалов или изготовления, в отношении данного изделия (включая, помимо прочего, любой ущерб, вызванный прямо или опосредованно любым программным обеспечением или использованием изделия Thrustmaster с любыми неподходящими элементами, в частности — блоками питания, аккумуляторами, зарядными устройствами и любыми другими элементами, не входящими в комплектацию Guillemot для данного изделия).

**THRUSTMASTER®**

**ТЕХНИЧЕСКОЙ ПОДДЕРЖКИ**

**<https://support.thrustmaster.com>**





## **АВТОРСКОЕ ПРАВО**

© 2019 Guillemot Corporation S.A. Все права защищены. Thrustmaster® является зарегистрированной торговой маркой Guillemot Corporation. PlayStation® является зарегистрированной торговой маркой корпорации Sony Interactive Entertainment Inc. Windows® является зарегистрированной торговой маркой корпорации Microsoft Corporation в США и/или других странах. Sparco является зарегистрированной торговой маркой Sparco S.p.A. Все прочие торговые марки являются собственностью соответствующих владельцев. Иллюстрации могут не соответствовать внешнему виду/функциям конкретного изделия. Содержание руководства, конструкция и технические характеристики изделия изменяются без предварительного уведомления и зависят от страны приобретения.

При использовании изделием учитывайте следующее: цвета и дизайн могут различаться. Пластиковые стяжки и клейкую ленту следует снять перед использованием изделия.

***[www.thrustmaster.com](http://www.thrustmaster.com)***

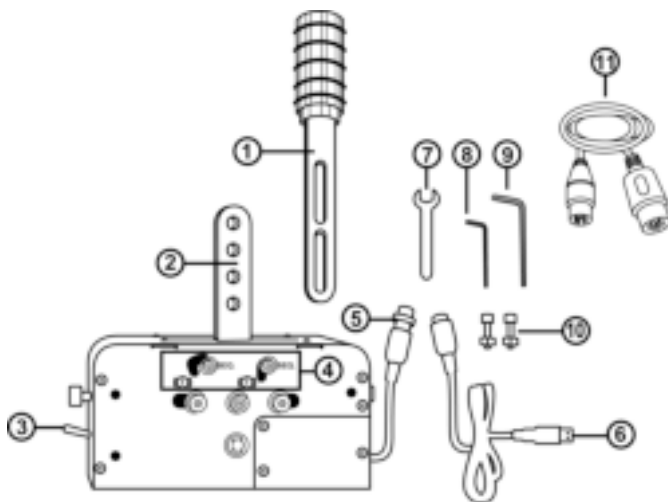


# TSS HANDBRAKE+

## sparco® Mod

PC – PS4™ – Xbox One®

### Uživatelský manuál



### TECHNICKÁ SPECIFIKACE

- 1 Odnímatelná páka (ve výchozím stavu není instalována)
- 2 Připevňovací rameno páky
- 3 RUČNÍ BRZDA / volič SEKVENČNÍ ŘADÍCÍ PÁKY
- 4 Mechanický přepínací systém (pro přepnutí mezi režimy RUČNÍ BRZDY A režimem SEKVENČNÍ ŘADÍCÍ PÁKY)
- 5 Kabel DIN a F konektor na základně
- 6 Odnímatelný M kabel DIN / USB
- 7 13 mm plochý klíč
- 8 3 mm imbusový klíč
- 9 6 mm imbusový klíč
- 10 2 BTR M8 imbusový šrouby + 2 M8 matice
- 11 Odnímatelný mini-DIN / DIN kabel

## UPOZORNĚNÍ

Před používáním tohoto produktu si pečlivě přečtete tato upozornění a uschovejte je pro další použití.



### **Upozornění – Nebezpečí úrazu elektrickým proudem**

- \* Tento výrobek uchovávejte na suchém místě, nevystavujte ho prachu a slunečnímu záření.
- \* Respektujte směr připojování konektorů.
- \* Za kabely a konektory netahejte a nekrutíte jimi.
- \* Na výrobek nebo konektory nestříkejte kapaliny.
- \* Výrobek nezkratujte.
- \* Tento výrobek nerozebírejte (kromě možných nastavení popsanych v tomto manuálu), výrobek nevhazujte do ohně a nevystavujte vysokým teplotám.



### **Upozornění – Nebezpečí zranění způsobené opakovanými pohyby**

Používání ruční brzdy nebo řadící páky může mít za následek bolesti svalů a kloubů. Pro zabránění těmto problémům:

- \* S výrobkem nehrajte velmi dlouho dobu.
- \* Po každé hodině hraní si udělejte 10 až 15minutovou přestávku.
- \* Pokud pocítíte únavu nebo bolesti v rukou, zápěstí nebo pažích, přestaňte hrát a před dalším hraním několik hodin odpočívajte.
- \* Pokud symptomy bolesti, popsané výše, nepřestávají, přestaňte hrát a konzultujte váš stav s lékařem.
- \* Prověřte, zda je základna TSS HANDBRAKE správně připevněna, tak jak je popsáno v tomto manuálu.



### **Upozornění – Nebezpečí skřípnutí v otvorech řadící desky**

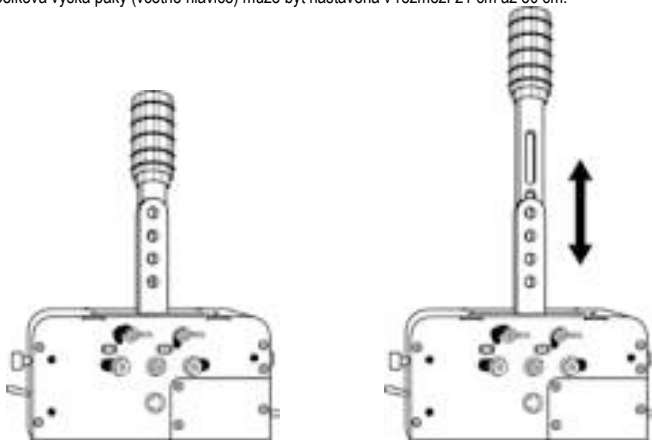
- \* Výrobek uchovávejte mimo dosah dětí.
- \* Při hraní, nikdy nevkládejte prsty (ani žádné jiné části vašeho těla) do otvorů řadící desky TSS HANDBRAKE.

**NIKDY**

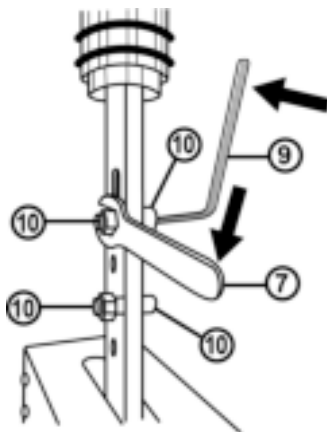


## MONTÁŽ ODNÍMATELNÉ PÁKY (1) NA PŘIPEVNŮVACÍ RAMENA (2)

1. Zasuňte odnímatelnou páku (1) mezi přípevňovací ramena (2).
2. Nastavte požadovanou výšku páky.  
Celková výška páky (včetně hlavice) může být nastavena v rozmezí 21 cm až 30 cm.



3. Za použití 2 BTR M8 imbusových šroubů (10), 2 M8 matic (10) a 6 mm imbusového klíče (9) připevněte páku k přípevňovacím ramenům (2).



## KONFIGURACE REŽIMU RUČNÍ BRZDY

Ve výchozím stavu (po vybalení zařízení z krabice), je TSS HANDBRAKE nastaveno v režimu RUČNÍ BRZDY.

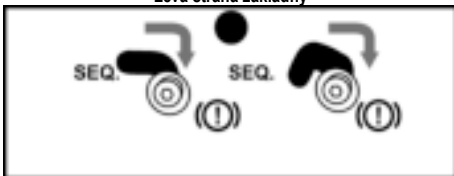
1. Volič RUČNÍ BRZDY / ŘADÍCÍ PÁKY (3) je ve spodní pozici režimu RUČNÍ BRZDY.

Čelní panel základny

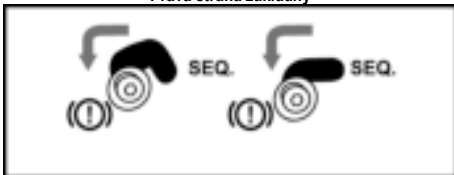


2. Mechanický systém, který umožňuje přepínání z režimu RUČNÍ BRZDY do režimu SEKVEČNÍ ŘADÍCÍ PÁKY (4) je přednastaven v pozici RUČNÍ BRZDY.

Levá strana základny



Pravá strana základny



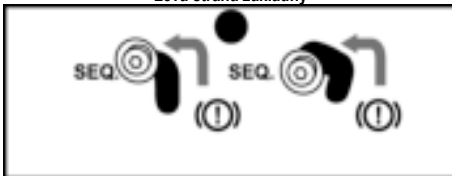
## KONFIGURACE SEKVENČNÍ ŘADÍČÍ PÁKY

1. Volič RUČNÍ BRZDY / ŘADÍČÍ PÁKY (3) posuňte nahoru do pozice SEKVENČNÍ ŘADÍČÍ PÁKY.



2. Pro přepnutí z režimu RUČNÍ BRZDY do režimu SEKVENČNÍ ŘADÍČÍ PÁKY (4) použijte 3 mm imbusový klíč (8) mírně odšroubujte šrouby mechanického systému (2 šrouby po obou stranách základny).
3. Tyto 4 šrouby (2 šrouby jsou umístěné po obou stranách základny) do pozice SEQ.

**Levá strana základny**



**Pravá strana základny**

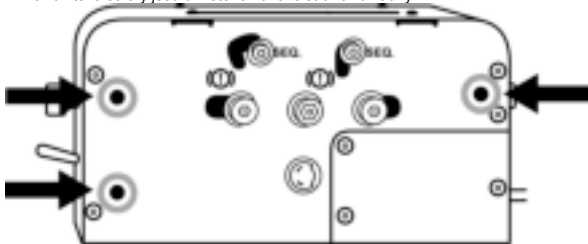


4. Zkontrolujte, zda tyto 4 šrouby (2 po obou stranách základny) jsou ve správné poloze a pak je pomocí 3 mm imbusového klíče (8) utáhněte.

## INSTALACE RUČNÍ BRZY TSS HANDBRAKE

Ruční brzda TSS HANDBRAKE může být připevněna k různým kompatibilním podpěrám (jsou prodávány samostatně) pomocí závitových otvorů M6 umístěných na obou stranách zařízení a ve spodní části základny:

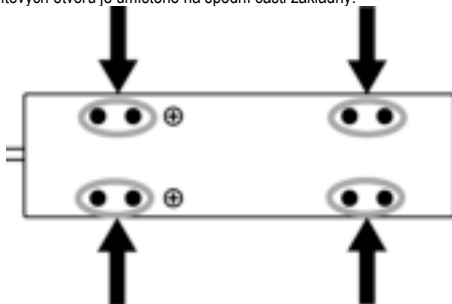
- 3 závitové otvory jsou umístěny na levé straně základny.



- 3 závitové otvory jsou umístěny na pravé straně základny.



- 8 závitových otvorů je umístěno na spodní části základny.



Šablona pro instalaci ruční brzdy TSS HANDBRAKE do kokpitu je dostupná na webové adrese <https://support.thrustmaster.com>. Zvolte Racing Wheels / TSS HANDBRAKE, pak Template - Cockpit Setup.



## TYTO ŠROUBY NEUTAHUJTE ANI NEPOVOLUJTE

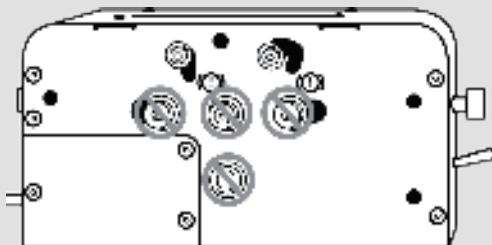


S výjimkou šroubů, které se týkají mechanického systému zajišťujícího přepínání z režimu RUČNÍ BRZDY do režimu SEKVENČNÍ ŘADÍCÍ PÁKY (4), nikdy nepovolujte ani neutahujte žádné šrouby na základně TSS HANDBRAKE.

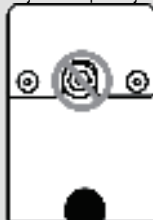
Levá strana základny = Nikdy neutahujte ani nepovolujte tyto šrouby:



Pravá strana základny = Nikdy neutahujte ani nepovolujte tyto šrouby:



Přední a zadní strana základny = Nikdy neutahujte ani nepovolujte tyto šrouby:





## INSTALAČNÍ POKYNY PRO PC

1. Z webové stránky <https://support.thrustmaster.com> stáhněte ovladače pro PC. Zvolte Racing Wheels / TSS HANDBRAKE, a pak vyberte Drivers.
2. Jakmile je program stažen, spusťte jeho instalaci a postupujte podle pokynů na obrazovce.
3. V okamžiku, kdy vás program vyzve, připojte TSS HANDBRAKE k jednomu z USB portů vašeho počítače pomocí odnímatelného M DN / USB kabelu (6), a dokončete instalaci ovladače.
4. Jakmile je instalace dokončena, klikněte na Finish a restartujte váš počítač.
5. Pro otevření okna Game Controllers zvolte Start / All Programs / Thrustmaster / TH8 Shifter / Control Panel.

V okně Game Controllers se zobrazí název **TSS HANDBRAKE Sparco® Mod**, se stavem OK.

6. Pro zobrazení TSS HANDBRAKE v ovládacím panelu Windows, klikněte na Properties:



## Na PC, je-li ruční brzda TSS HANDBRAKE připojena k USB portu za použití M DIN / USB kabelu (6) je TSS HANDBRAKE kompatibilní:

- s režimem RUČNÍ BRZDY [Progresivní] a s REŽIMEM SEKVENČNÍ ŘADÍCÍ PÁKY [+/-];
- ve všech hrách, které podporují multi-USB, samostatné ruční brzdy a řadící páky;
- se všemi závodními volanty na trhu.

## Na PC, je-li ruční brzda TSS HANDBRAKE připojena k zadní části kompatibilního závodního volantu Thrustmaster za použití odnímatelného mini-DIN / DIN kabelu (11), je TSS HANDBRAKE kompatibilní:

- pouze s režimem SEKVENČNÍ ŘADÍCÍ PÁKY [+/-];
- Ve všech hrách (protože TSS HANDBRAKE je propojena s páčkami řazení Nahoru a Dolu na závodním volantu);
- pouze s kompatibilními závodními volanty Thrustmaster (TS-PC Racer, T-GT, T300, TS-XW Racer a TX).

**!** **DŮLEŽITÉ:** aby bylo možné připojit TSS HANDBRAKE k základně závodního volantu, musíte firmware základny vašeho závodního volantu (TS-PC Racer, T-GT, T300, TS-XW Racer a TX) aktualizovat na nejnovější dostupnou verzi z <https://support.thrustmaster.com/>.

### Obecné poznámky na PC:

- \* Před spuštěním vaší hry nezapomeňte úplně ukončit okno Game Controllers kliknutím na OK.
- \* Verze firmwaru TSS HANDBRAKE je zobrazena v pravém horním sekci záložky Ovládacího panelu.
- \* Pokud se rozhodnete použít USB, doporučujeme připojit váš závodní volant k TSS HANDBRAKE přímo k portu USB 2.0 (ne USB 3.0) vašeho počítače bez použití hubu.
- \* Některé hry vám umožní současné použití 2 zařízení TSS HANDBRAKE:
  - 1 TSS HANDBRAKE nastavená v režimu RUČNÍ BRZDY;
  - 1 TSS HANDBRAKE v režimu SEKVENČNÍ ŘADÍCÍ PÁKY.

## INSTALACE NA PS4™ A XBOX ONE®

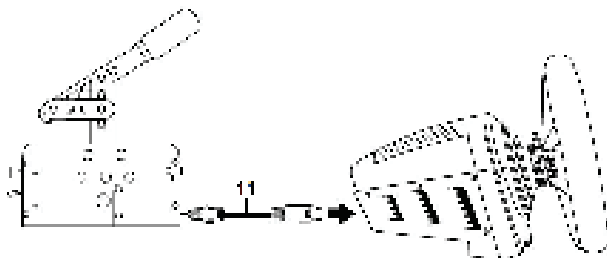
Na PS4™ a Xbox One®, je TSS HANDBRAKE kompatibilní s následujícími základními závodních volantů:

- Thrustmaster T-GT a T300 na PS4™
- Thrustmaster TS-XW Racer a TX na Xbox One®

**⚠ DŮLEŽITÉ:** pro zajištění optimálního výkonu TSS HANDBRAKE na PS4™ a Xbox One®, musíte aktualizovat firmware základny vašeho závodního volantu (T-GT, T300, TS-XW Racer nebo TX) na nejnovější dostupnou verzi na <https://support.thrustmaster.com/>.

### Instalace:

1. Pomocí odnímatelného mini-DIN / DIN kabelu (**11**), připojte TSS HANDBRAKE přímo k F mini-DIN portu, který naleznete v zadní části základny vašeho závodního volantu.



2. Váš závodní volant připojte ke konzole.

NYNÍ JSTE PŘIPRAVENI KE HRÁNÍ!

### Obecné poznámky na PS4™ a Xbox One®:

- Na PS4™ a Xbox One® nikdy pro připojení nepoužívejte M DIN / USB kabel (**6**). TSS HANDBRAKE musí být vždy připojena k základně kompatibilního závodního volantu Thrustmaster, a nikoliv ke konzole.
- Pokud je TSS HANDBRAKE připojena k základně kompatibilního závodního volantu Thrustmaster:
  - Režim SEKVENČNÍ ŘADICÍ PÁKY [+/-] pracuje ve všech hrách, protože TSS HANDBRAKE je propojena s páčkami řazení Nahoru a Dolu na závodním volantu.
  - Režim RUČNÍ BRZDY [Progresivní] pracuje ve všech hrách, které podporují funkce\* ruční brzdy.

\* Seznam her kompatibilních s ručními brzdami pro PS4™ a Xbox One® je dostupný na <https://support.thrustmaster.com/>. V sekci **Racing Wheels**, vyberte **TM SIM HUB** nebo **TSS Handbrake Sparco® Mod**.

## PŘEHLED PŘIPOJENÍ TSS HANDBRAKE PODLE POUŽITÉ PLATFORMY

	Připojení TSS HANDBRAKE
<b>PC</b> (režim RUČNÍ BRZDY a režim SEKVENČNÍ ŘADÍČÍ PÁKY)	K PC, za použití odnímatelného M DIN / USB kabelu <b>(6)</b> . Kompatibilní se všemi závodními volanty na trhu.
<b>PC</b> (pouze režim SEKVENČNÍ ŘADÍČÍ PÁKY)	K zadní části základny kompatibilního závodního volantu Thrustmaster, za použití odnímatelného mini-DIN / DIN kabelu <b>(11)</b> .
<b>PS4™</b> (režim RUČNÍ BRZDY a režim SEKVENČNÍ ŘADÍČÍ PÁKY)	K zadní části základny kompatibilního závodního volantu Thrustmaster, za použití odnímatelného mini-DIN / DIN kabelu (11).
<b>XBOX ONE®</b> (režim RUČNÍ BRZDY a režim SEKVENČNÍ ŘADÍČÍ PÁKY)	K zadní části základny kompatibilního závodního volantu Thrustmaster, za použití odnímatelného mini-DIN / DIN kabelu <b>(11)</b> .

## AKTUALIZACE FIRMWARU TSS HANDBRAKE

Firmware nahráný v základně TSS HANDBRAKE lze aktualizovat (což znamená, že ho lze aktualizovat na nejnovější verzi, která obsahuje vylepšení produktu).

Pro zobrazení verze firmwaru TSS HANDBRAKE a jeho aktualizaci, pokud je zapotřebí: na PC, jděte na <https://support.thrustmaster.com>, zvolte **Racing wheels / TSS HANDBRAKE**, a pak vyberte **Firmware** a dále postupujte podle pokynů pro stažení a procedury instalace.

## POKROČILÝ KALIBRAČNÍ SOFTWARE

Kalibrační procedura TSS HANDBRAKE probíhá automaticky.

Pokročilý kalibrační program pro PC je dostupný ke stažení na <https://support.thrustmaster.com>: vyberte Racing Wheels / TSS HANDBRAKE, pak Software. Tento software vám umožní nastavit:

- Analogovou délku dráhy v režimu RUČNÍ BRZDY;
- Analogovou délku dráhy v režimu SEKVENČNÍ ŘADÍCÍ PÁKY.

**Jakmile jsou nastavení upravena, okamžitě jsou uloženy do interní paměti TSS HANDBRAKE a budou okamžitě fungovat ve všech vašich hrách, jak na PC, PS4™ nebo Xbox One®.**

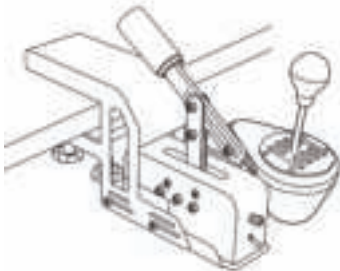
### RADY A TIPY (nezahrnuté v této příručce)

Různé tipy a rady jsou k dispozici na webových stránkách <https://support.thrustmaster.com>: zvolte Racing Wheels / TSS HANDBRAKE.

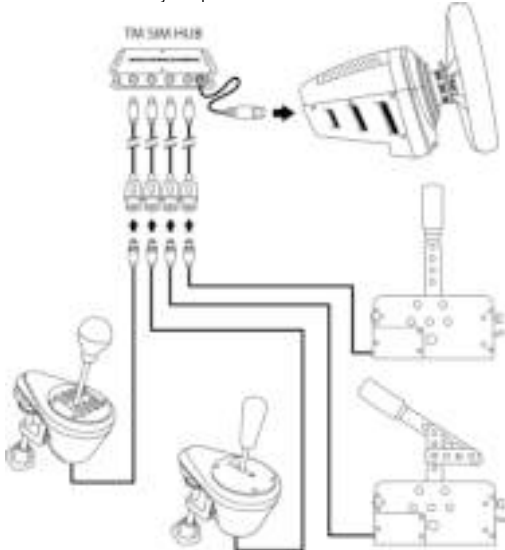
## EKOSYSTÉM

TSS HANDBRAKE je také kompatibilní s jinými doplňky, které jsou prodávány samostatně:

\* **TM ZÁVODNÍ PŘÍCHYTKA:** robustní držák, který hráčům umožňuje bezpečně připravit TSS Handbrake a řadící páku TH8A přímo ke stolu nebo psacímu stolu, bez nutnosti vlastnit kokpit.



\* **TM SIM HUB:** hub umožňující uživatelům současně připojení až čtyř zařízení k mini-DIN konektoru, který je umístěn v zadní části základny kompatibilních závodních volantů Thrustmaster.



## **SPOTŘEBITELSKÉ INFORMACE O ZÁRUCE**

Celosvětově, Guillemot Corporation S.A., jejíž sídlo se nachází na Place du Granier, B.P. 97143, 35571 Chantepie, France (dále jen "Guillemot") zaručuje spotřebiteli, že tento výrobek od Thrustmasteru bude bez závad materiálu a zpracování, po dobu záruční doby od okamžiku převzetí výrobku ve shodě s ohledem na tento výrobek. V zemích Evropské Unie, tato doba odpovídá dvěma (2) letům od dodání výrobku Thrustmaster. V ostatních zemích, záruční doba odpovídá časovému intervalu od převzetí výrobku Thrustmaster v souladu s platnými zákony země, ve které měl spotřebitel trvalý pobyt ke dni nákupu výrobku Thrustmaster (pokud žádné takové opatření v příslušné zemi neexistuje, záruční doba bude jeden (1) rok od data nákupu výrobku Thrustmaster).

Bez ohledu na výše uvedené podmínky, je záruční doba na dobíjecí baterie omezena na dobu šesti (6) měsíců od původního datumu nákupu.

Pokud se u výrobku během záruční doby objeví závada, neprodleně kontaktujte Technickou podporu, kde vám naznačí postup, jak záruku uplatnit. Pokud bude závada uznána, výrobek musí být vrácen prodávajícímu, kde byl zakoupen (nebo na jiné místo, které určí Technická podpora).

V rámci této záruky, bude vadný výrobek podle Technické podpory buď vyměněn nebo uveden do funkčního stavu. Pokud bude během záruční doby výrobek Thrustmasteru opravován, bude záruční doba o dobu, kdy nebylo možné výrobek používat prodloužena, nejméně alespoň o sedm (7) dní (tato doba začíná datem, kdy zákazník požádal o vyřízení reklamace nebo od data, kdy dotýčný produkt byl k dispozici pro opravu, pokud datum předání výrobku k opravě je po datu žádosti o vyřízení reklamace). Pokud to umožňují platné zákony, je plná odpovědnost společnosti Guillemot a jejích dceřiných společností (včetně následných škod) omezena na navrácení produktu do provozuschopného stavu nebo na výměnu výrobku Thrustmaster. Pokud to umožňují platné zákony, Guillemot se zřiká všech záruk obchodovatelnosti nebo vhodnosti pro určitý účel.

Tato záruka se nevztahuje na: (1) pokud byl výrobek modifikován, otevřen, změněn nebo utrpěl poškození v důsledku nevhodného nebo nesprávného používání, nedbalosti, nehody, běžného opotřebení, nebo jakékoliv jiné příčiny, nesouvisející s vadou materiálu nebo zpracování (včetně, ale ne pouze, při kombinaci výrobku Thrustmaster s jakýmkoliv nevhodným prvkem, včetně zejména napájecích adaptérů, nabíjecích baterií, nabíječky, nebo jiných prvků, které nebyly k tomuto výrobku dodány společností Guillemot); (2) pokud byl výrobek používán pro jiné účely než domácí použití, včetně profesionálních a komerčních účelů (např. v hernách, při tréninku, při závodech); (3) v případě nedodržení pokynů poskytovaných Technickou podporou; (4) software, na zmíněný software je poskytována zvláštní záruka; (5) spotřební materiál (prvky, které mohou být vyměněny v průběhu životnosti produktu: baterie na jedno použití, náhlavní sluchátkové soupravy nebo např. náušníky sluchátek); (6) příslušenství (například kabely, pouzdra, brašny, zápestní řemínky); (7) pokud byl výrobek prodán ve veřejné aukci.

Tato záruka je nepřenositelná.

Zákonná práva spotřebitele vzhledem k platným zákonům vztahujícím se na prodej spotřebního zboží v jeho nebo její zemi nejsou touto zárukou ovlivněny.

### Další ustanovení o záruce

V průběhu záruční doby, Guillemot zásadně nedodává žádné náhradní díly, neboť Technická podpora je jedinou stranou autorizovanou k demontáži a opravě jakéhokoliv produktu Thrustmaster (s výjimkou jakéhokoliv opravy, o kterou zákazníka požádá Technická podpora prostřednictvím písemných pokynů, například z důvodu jednoduchosti a neutajovaného postupu opravy a poskytnutím požadovaných náhradních dílů, jsou-li použitelné).

Vzhledem ke svému inovačnímu cyklu a s cílem ochrany know-how a obchodního tajemství, nesmí Guillemot zásadně poskytovat jakékoli vyrozumění o opravách nebo náhradních dílech jakéhokoliv výrobku Thrustmaster, jehož záruční doba již vypršela.

### Odpovědnost

Pokud to povolují příslušné zákony, Guillemot Corporation S.A. (dále jen "Guillemot") a její dceřiné společnosti se zřikají veškeré odpovědnosti za škody způsobené jedním nebo více následujícími body: (1) výrobek byl modifikován, otevřen nebo pozměněn; (2) nedodržení návodu k montáži; (3) nevhodné nebo nesprávné používání, nedbalost, nehoda (například náraz); (4) běžné opotřebení; (5) použití výrobku pro jakékoli jiné než domácí použití, včetně profesionálního nebo komerčního použití (například v hernách, pro výcvik, při soutěžích). Pokud to povolují příslušné zákony, Guillemot a její dceřiné společnosti se zřikají veškeré odpovědnosti za jakékoli škody, které nesouvisí s použitými materiály nebo výrobní vadou příslušného výrobku (včetně, ale nikoliv výhradně, veškerých škod způsobených přímo nebo nepřímo softwarem, nebo kombinací výrobku Thrustmaster s jakýmkoliv nevhodným prvkem včetně zejména napájecími zdroji, dobíjecími bateriemi, nabíječkami nebo jakýmkoli jinými prvky, které nebyly společností Guillemot k tomuto výrobku dodány).

**THRUSTMASTER®**

**TECHNICKÁ PODPORA**

<https://support.thrustmaster.com>





## COPYRIGHT

© 2019 Guillemot Corporation S.A. Všechna práva vyhrazena. Thrustmaster® je registrovaná obchodní známka společnosti Guillemot Corporation S.A. PlayStation® je registrovaná obchodní známka společnosti Sony Interactive Entertainment Inc. Windows® je registrovaná obchodní známka společnosti Microsoft Corporation ve Spojených státech a v dalších zemích. Sparco je registrovaná obchodní známka společnosti Sparco S.p.A. Všechny ostatní obchodní známky jsou ve vlastnictví příslušných vlastníků. Vyobrazení nejsou závazná. Obsah, design a specifikace mohou být bez předchozího upozornění změněny a v jednotlivých zemích se mohou lišit. Konstruováno a distribuováno společností Guillemot Corporation S.A. pod oficiální licenci společnosti Sparco S.p.A. Vyrobeno v Číně.

## DOPORUČENÁ OCHRANA ŽIVOTNÍHO PROSTŘEDÍ



V zemích Evropské unie: Na konci životnosti by tento výrobek neměl být vhozen do standardního směsného odpadu, ale odevzdán do sběrného dvoru na recyklaci elektrických a elektronických zařízení.

Toto je potvrzeno symbolem, který je na výrobku, v uživatelském manuálu nebo na obalu.

V závislosti na charakteristice materiálů, mohou být tyto recyklovány. Recyklací a dalšími formami zpracování odpadních elektrických a elektronických zařízení můžete významným způsobem přispět k ochraně životního prostředí.

Pro informace o nejbližším sběrném dvoru se obraťte na místní úřad.

Pro všechny ostatní země: Dodržujte prosím místní předpisy týkající se recyklace elektrických a elektronických zařízení.

Tyto informace si uchovejte. Barvy a dekorace se mohou lišit.

Před použitím by měly být z výrobku odstraněny plastové spojovací lepicí materiály.

[www.thrustmaster.com](http://www.thrustmaster.com)

*\*Platné pouze pro EU a Turecko*

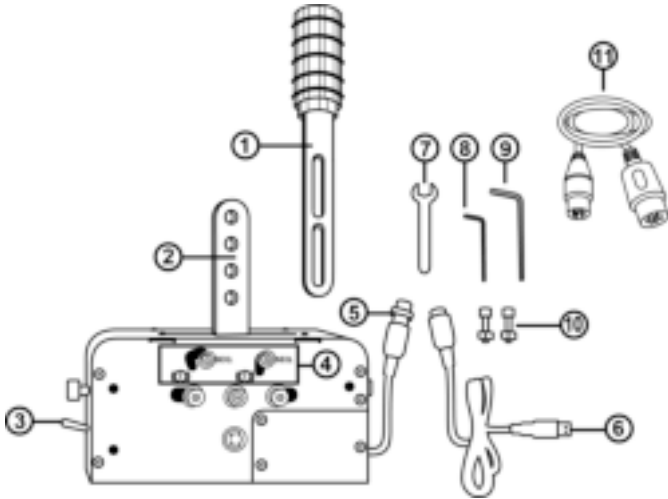


# TSS HANDBRAKE+

## sparco® Mod

PC – PS4™ – Xbox One®

### Kullanma Kılavuzu



### TEKNİK ÖZELLİKLER

- 1 Ayrılabilir kol (teslimat sırasında monteli değildir)
- 2 Kol montaj kolları
- 3 EL FRENİ / SIRALI VİTES seçme düğmesi
- 4 Mekanik geçiş sistemi (EL FRENİ ile SIRALI VİTES modları arasında geçiş için)
- 5 Tabanda DIN kablo ve dışı konektör
- 6 Ayrılabilir erkek DIN / USB kablosu
- 7 13 mm lokma anahtarı
- 8 3 mm alyan anahtarı
- 9 6 mm alyan anahtarı
- 10 2 BTR M8 cıvata + 2 M8 somun
- 11 Ayrılabilir mini-DIN / DIN kablosu

## UYARI

Bu ürünü kullanmadan önce bu kılavuzu mutlaka baştan sona dikkatlice okuyun. Bu kılavuzu ileride başvuru kaynağı olarak kullanmak üzere saklayın.



### **Uyarı - Elektrik çarpması**

- \* Bu ürünü kuru bir yerde saklayın ve toza veya güneş ışığına maruz bırakmayın.
- \* Konektörlerin takma yönüne dikkat edin.
- \* Konektörleri ve kabloları bükmeyin ve çekmeyin.
- \* Ürünün veya konektörünün üzerine sıvı dökmeyin.
- \* Ürünü kısa devre yapmayın.
- \* Bu ürünü parçalarına ayırmayın (bu kılavuzda anlatılan olası ayarlamalar hariç), ürünü yakmaya çalışmayın ve ürünü yüksek sıcaklıklara maruz bırakmayın.



### **Uyarı - Tekrarlayan hareketler nedeniyle yaralanma**

Vites veya el freni kullanımı kas ve eklem ağrılarına neden olabilir. Her türlü sorunu önlemek için:

- \* Uzun sürelerle oynamaktan kaçının.
- \* Her oyun saatinin ardından 10 ila 15 dakika ara verin.
- \* Ellerinizde, bileklerinizde veya kollarınızda yorgunluk veya ağrı hissederseniz oynamayı kesin ve yeniden oynamaya başlamadan önce birkaç saat dinlenin.
- \* Yeniden oynamaya başladığınızda yukarıda anlatılan belirtiler veya ağrılar tekrar ederse oynamayı kesin ve bir doktora başvurun.
- \* TSS HANDBRAKE tabanının, bu kılavuzda bulunan talimatlarda anlatıldığı gibi düzgün monte edildiğini kontrol edin.



### **Uyarı - Vites tablası açıklıklarında sıkışma riski**

- \* Çocukların ulaşabileceği yerlerden uzak tutun.
- \* Oyun oynarken parmaklarınızı (veya vücudunuzun diğer uzuvlarını) TSS HANDBRAKE vites tablalarının açıklıklarına asla koymayın.

**ASLA**

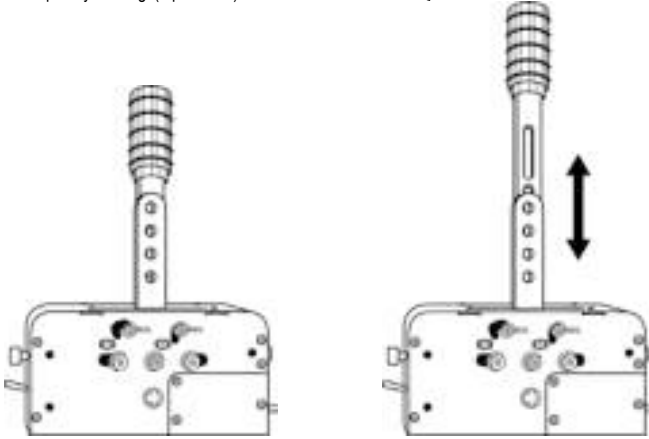


## AYRILABİLİR KOLUN (1) MONTAJ KOLLARINA (2) TAKILMASI

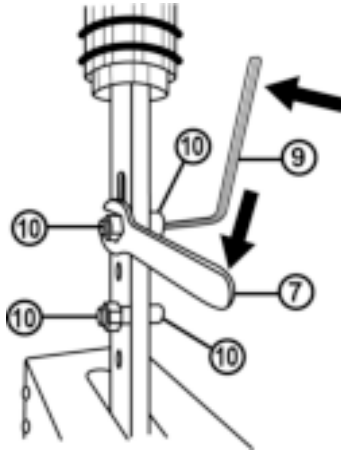
1. Ayrılabilir kolu (1) montaj kollarının (2) arasına sürün.

2. Kolu istenen yüksekliğe ayarlayın.

Kolun toplam yüksekliği (topuz dahil) 21 cm ile 30 cm arasında ayarlanabilir.



3. Kolu montaj kollarına, 2 BTR M8 cıvata (10), 2 M8 somun (10) ve 6 mm alyan anahtar (9) ile monte edin.



## EL FRENİ MODUNUN AYARLANMASI

Cihaz ambalajından çıkarıldığında TSS HANDBRAKE, EL FRENİ moduna ayarlı durumdadır.

1. EL FRENİ / VİTES seçme düğmesi (3) EL FRENİ modu konumuna indirilir.

Tabanın ön yüzü

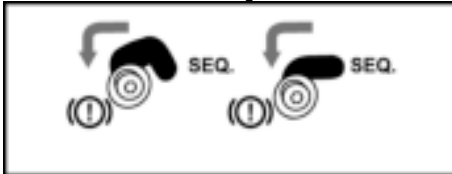


2. EL FRENİ modu ile SIRALI VİTES modu arasında geçiş yapmanızı sağlayan mekanik sistem (4) EL FRENİ konumuna önceden ayarlanmıştır.

Tabanın sol tarafı



Tabanın sağ tarafı



## SIRALI VİTES MODUNUN AYARLANMASI

1. EL FRENİ / VİTES seçme düğmesini (3) SIRALI VİTES modu konumuna kaldırın.

Tabanın ön yüzü



2. EL FRENİ modunu SIRALI VİTES moduna almak için (4), 3 mm alyan anahtarını (8) kullanarak mekanik sistem vidalarını (tabanın her iki tarafında 2 civata) hafifçe gevşetin.
3. Bu 4 vidayı (tabanın her iki tarafında 2 civata) SEQ konumuna alın.

Tabanın sol tarafı



Tabanın sağ tarafı

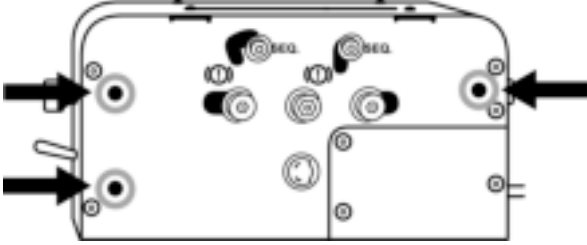


4. Bu 4 vidanın (tabanın her iki tarafında 2 adet) kusursuz şekilde yeniden konumlandırıldığını kontrol ederek 3 mm alyan anahtarla (8) sıkın.

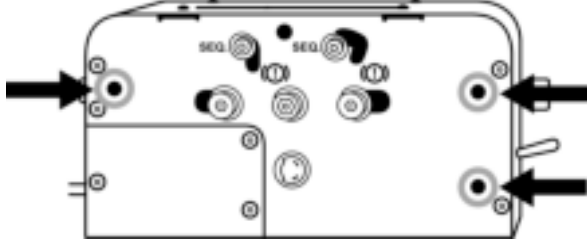
## TSS HANDBRAKE'İN MONTE EDİLMESİ

TSS HANDBRAKE, çeşitli uyumlu platformlara (ayrı olarak satılır) cihazın her iki tarafında ve tabanının altında bulunan M6 dişli delikler kullanılarak monte edilebilir.

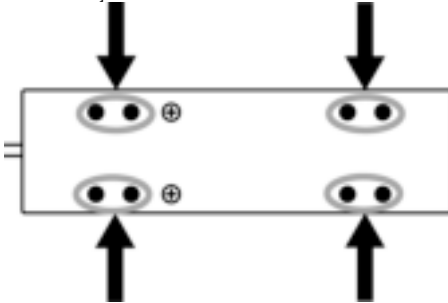
- Tabanın sol tarafında 3 dişli delik bulunur.



- Tabanın sağ tarafında 3 dişli delik bulunur.



- Tabanın altında 8 dişli delik bulunur.



TSS HANDBRAKE kokpit montaj şablonu <https://support.thrustmaster.com> adresinde mevcuttur. Racing Wheels / TSS HANDBRAKE, ardından Template - Cockpit Setup'ı seçin.



## BU VIDALARI GEVŞETMEYİN VEYA SIKMAYIN

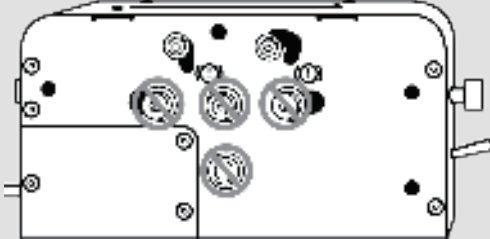


EL FRENİ modu ile SIRALI VİTES modu arasında geçiş için kullanılan mekanik sistem (4) ile ilgili vidalar dışında TSS HANDBRAKE tabanında bulunan hiçbir vidayı asla sıkmayın veya gevşetmeyin.

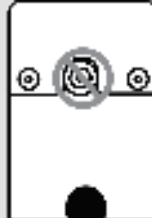
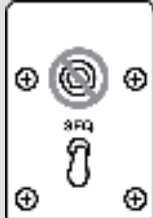
Tabanın sol tarafı = Bu vidaları asla sıkmayın veya gevşetmeyin:



Tabanın sağ tarafı = Bu vidaları asla sıkmayın veya gevşetmeyin:



Tabanın ön ve arka tarafları = Bu vidaları asla sıkmayın veya gevşetmeyin:





## PC İÇİN KURULUM TALİMATLARI

1. PC sürücülerini indirmek için <https://support.thrustmaster.com> adresine gidin. Racing Wheels / TSS HANDBRAKE, ardından Drivers'ı seçin.
  2. İndirme tamamlandığında kurulum programını çalıştırın ve ekranda gösterilen talimatları izleyin.
  3. Kurulum programı tarafından yapılması istendiğinde, TSS HANDBRAKE'i bilgisayarınızın USB portlarında birine, ayrılabilir erkek DIN / USB kablosunu (6) kullanarak bağlayın ve sürücüyü yüklemeyi tamamlayın.
  4. Yükleme tamamlandığında Finish (Bitti) düğmesine tıklayın ve bilgisayarınızı yeniden başlatın.
  5. Başlat / Tüm Programlar / Thrustmaster / TH8 Shifter / Control Panel'i seçerek Oyun Kumandaları penceresini açın.
- Oyun Kumandaları penceresi, **TSS HANDBRAKE Sparco® Mod** adını Tamam durumunda gösterir.
6. Windows Denetim Masasında TSS HANDBRAKE'i görmek için Özellikler'e tıklayın:



## PC'de TSS HANDBRAKE, ayrılabilir DIN / USB kablosu (6) kullanılarak bir USB portuna bağlandığında TSS HANDBRAKE şunlarla uyumludur:

- EL FRENİ moduyla [Kademeli] ve SIRALI VİTES moduyla [+/-];
- çoklu-USB, ayrı el frenleri ve vitesleri destekleyen tüm oyunlarla;
- piyasadaki tüm yarış direksiyonlarıyla.

## PC'de TSS HANDBRAKE, ayrılabilir DIN / USB kablosu (11) kullanılarak uyumlu bir Thrustmaster yarış direksiyonu tabanının arkasına bağlandığında TSS HANDBRAKE şunlarla uyumludur:

- sadece SIRALI VİTES moduyla [+/-];
- tüm oyunlarla (TSS HANDBRAKE, yarış direksiyonunun UP ve DOWN direksiyondan kumandalı vitesleriyle birleştirildiğinden);
- sadece uyumlu Thrustmaster yarış direksiyonu tabanlarıyla (TS-PC Racer, T-GT, T300, TS-XW Racer ve TX).

**! ÖNEMLİ:** TSS HANDBRAKE'i yarış direksiyonu tabanına bağlayabilmek için yarış direksiyonu tabanınızın (TS-PC Racer, T-GT, T300, TS-XW Racer ve TX) donanım yazılımını, <https://support.thrustmaster.com/> adresinde mevcut en son sürümle güncellenmeniz gerekmektedir.

### PC için genel notlar:

\* Oyununuzu başlatmadan önce Tamam'a tıklayarak Oyun Kumandaları penceresini daima tamamen kapatmayı unutmayın.

\* TSS HANDBRAKE'in donanım yazılımı sürümü, Kontrol Panelinin sekmelerinde sağ üst kısımda gösterilir.

\* USB bağlantısı kullanmayı seçerseniz yarış direksiyonunuzu ve TSS HANDBRAKE'i doğrudan bilgisayarınızın USB 2.0 (USB 3.0 değil) portlarına, hub kullanmadan bağlamanız önerilir.

\* Bazı oyunlar 2 adet TSS HANDBRAKE cihazını aynı anda kullanmanıza izin verir:

- 1 TSS HANDBRAKE EL FRENİ moduna ayarlı;
- 1 TSS HANDBRAKE SIRALI VİTES moduna ayarlı.

## PS4™ VE XBOX ONE®'DA KURULUM

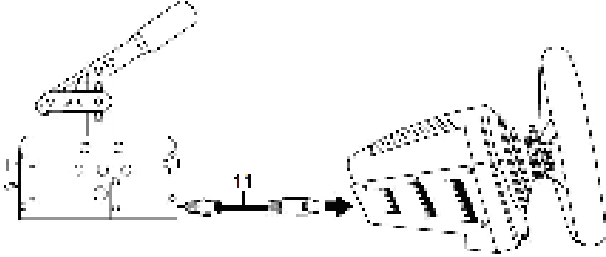
PS4™ ve Xbox One®'da TSS HANDBRAKE, aşağıdaki yarış direksiyonu tabanlarıyla uyumludur:

- PS4™'te Thrustmaster T-GT ve T300
- Xbox One®'da Thrustmaster TS-XW Racer ve TX

**! ÖNEMLİ:** PS4™ ve Xbox One®'da TSS HANDBRAKE'den optimum performans almak için yarış direksiyonu tabanınızın (T-GT, T300, TS-XW Racer veya TX) donanım yazılımını, <https://support.thrustmaster.com/> adresinde mevcut en son sürümle güncellenmeniz gerekmektedir.

### Kurulum:

1. Ayrılabilir mini-DIN / DIN kablosunu **(11)** kullanarak TSS HANDBRAKE'i doğrudan yarış direksiyonunuzun tabanının arka kısmında bulunan dişi mini-DIN portuna bağlayın.



2. Yarış direksiyonunuzu konsola bağlayın.

ARTIK OYNAMAYA HAZIRSINIZ!

### PS4™ ve Xbox One® için genel notlar:

- Ayrılabilir erkek DIN / USB kablosunu **(6)** PS4™ ve Xbox One®'da asla kullanmayın ve bağlamayın. TSS HANDBRAKE daima uyumlu bir Thrustmaster yarış direksiyonu tabanına bağlanmalı ve konsola bağlanmamalıdır.

- TSS HANDBRAKE uyumlu bir Thrustmaster yarış direksiyonu tabanına bağlandığında:
- Yarış direksiyonunun UP ve DOWN direksiyondan kumandalı vitesleriyle birleştirildiğinden SIRALI VİTES modu [+/-] tüm oyunlarda çalışır.
  - EL FRENİ modu [Kademeli], el freni işlevini destekleyen tüm oyunlarda çalışır\*.

\* El frenleriyle uyumlu PS4™ ve Xbox One® oyunları için bkz. <https://support.thrustmaster.com/>

**Racing Wheels** (Yarış Direksiyonları) kısmında, **TM SIM HUB** veya **TSS Handbrake Sparco® Mod'u** seçin.

## KULLANILAN PLATFORMA GÖRE TSS HANDBRAKE BAĞLANTI ÖZETİ

	<b>TSS HANDBRAKE bağlantısı</b>
<b>PC</b> (EL FRENİ modu ve SIRALI VİTES modu)	PC'ye, ayrılabilir erkek DIN / USB kablosu (6) kullanılarak. Piyasadaki tüm yarış direksiyonlarıyla uyumludur.
<b>PC</b> (sadece SIRALI VİTES modu)	Uyumlu Thrustmaster yarış direksiyonu tabanının arkasına, ayrılabilir mini-DIN / DIN kablosu (11) kullanılarak.
<b>PS4™</b> (EL FRENİ modu ve SIRALI VİTES modu)	Uyumlu Thrustmaster yarış direksiyonu tabanının arkasına, ayrılabilir mini-DIN / DIN kablosu (11) kullanılarak.
<b>XBOX ONE®</b> (EL FRENİ modu ve SIRALI VİTES modu)	Uyumlu Thrustmaster yarış direksiyonu tabanının arkasına, ayrılabilir mini-DIN / DIN kablosu (11) kullanılarak.

## TSS HANDBRAKE DONANIM YAZILIMININ GÜNCELLENMESİ

TSS HANDBRAKE'in tabanında bulunan donanım yazılımı güncellenebilir (yani ürün geliştirmeleri içeren daha yeni sürümlere yükseltilebilir).

TSS HANDBRAKE'in donanım yazılımı sürümünü görmek ve gerekirse güncellemek için: bilgisayarda <https://support.thrustmaster.com> adresine gidin, **Racing wheels / TSS HANDBRAKE**'i ardından **Firmware**'i seçin ve talimatlar ile indirme ve yükleme prosedürünü izleyin.

## GELİŞMİŞ KALİBRASYON YAZILIMI

TSS HANDBRAKE'in kalibrasyon işlemi otomatiktir.

Bilgisayar için gelişmiş bir kalibrasyon yazılımı uygulaması ayrıca <https://support.thrustmaster.com> adresinde mevcuttur: Racing Wheels / TSS HANDBRAKE, ardından Software'i seçin. Bu yazılım şunları ayarlamanızı sağlar:

- EL FRENI modunda analog hareket aralığı;
- SIRALI VİTES modunda analog hareket aralığı.

Ayarlar yapıldıktan sonra anında TSS HANDBRAKE'in dahili belleğine kaydedilir ve bu nedenle PC, PS4™ veya Xbox One®'da tüm oyunlarınızda etkili olur.

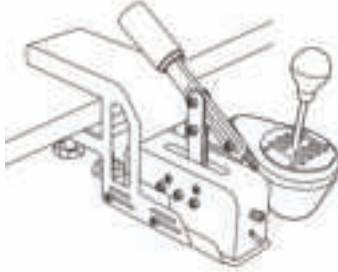
### İPUÇLARI (bu kılavuzda yer almayan)

Çeşitli ipuçları için <https://support.thrustmaster.com> web sitesine giderek; Racing Wheels / TSS HANDBRAKE'i seçin.

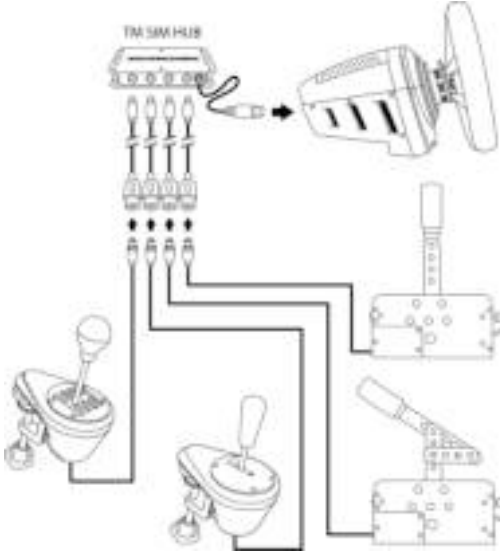
## EKOSİSTEM

TSS HANDBRAKE ayrı olarak satılan başka aksesuarlar ile de uyumludur.

\* **TM RACING CLAMP:** Oyuncuların TSS Handbrake ve TH8A viteslerini, kokpite ihtiyaç kalmadan doğrudan masa veya sıraya güvenli bir şekilde bağlamalarına olanak sağlayan sağlam bir destek dirseği.



\* **TM SIM HUB:** Kullanıcıların uyumlu Thrustmaster yarış direksiyonu tabanlarının arka kısmında bulunan mini-DIN konektöre dörde kadar aksesuarı eş zamanlı olarak bağlamalarına olanak tanıyan bir bağlantı göbeği.



## TÜKETİCİ GARANTİ BİLGİSİ

İşbu Thrustmaster ürünü, malzeme ve işçilik hatalarına karşı, müşterinin kusurlu ürünün ücretinin iade edilmesi veya değiştirilmesi talebinde bulunabileceği süreye karşılık gelen garanti süresince dünya çapında tescil edilmiş merkezi Place du Granier, B.P. 97143, 35571 Chantepie, Fransa'da bulunan Guillemot Corporation S.A. (bundan sonra "Guillemot" olarak ifade edilecektir) garantisi altındadır. Avrupa Birliği ülkelerinde bu süre, Thrustmaster ürününün tesliminden itibaren iki (2) seneye karşılık gelir. Diğer ülkelerde garanti süresi, Thrustmaster ürünü ile ilgili olarak, Thrustmaster ürününün satın alındığı tarihte müşterinin ikamet ettiği ülkede geçerli yasalara uygun şekilde, müşterinin kusurlu ürünün ücretinin iade edilmesi veya değiştirilmesi talebinde bulunabileceği süreye karşılık gelir (İlgili ülkede bu tür bir düzenleme mevcut değilse garanti süresi Thrustmaster ürününün satın alındığı asıl tarihten itibaren bir (1) yıl olacaktır).

Garanti süresi içinde üründe hata veya kusur tespit edilmesi durumunda derhal izlenecek yöntem ile ilgili size bilgi verecek olan Teknik Destek servisimize başvurun. Hata veya kusur onaylarsa ürünün satın alındığı yere (ya da Teknik Destek servisi tarafından belirtilen yere) iade edilmesi gerekmektedir.

İşbu garanti kapsamında müşterinin kusurlu ürünü, Teknik Destek servisinin inisiyatifine bağlı olarak, değiştirilecek veya çalışır hale getirilecektir. Garanti süresince Thrustmaster ürününün onarım işlemine tabi tutulması durumunda, ürünün kullanım dışı olduğu en az yedi (7) günlük tüm süreler kalan garanti süresine eklenecektir (bu süre, ürünün onarılması için hazır bulundurulduğu tarih müdahale edilmesi için talepte bulunduğu tarihi takip ediyor ise müşterinin müdahale edilmesi için talepte bulunduğu tarihten veya bahse konu ürünün onarılması için hazır bulundurulduğu tarihten başlar). Yürürlükte olan yasaların izin verdiği durumlarda, Guillemot ve bağlılarının tüm sorumluluğu (dolaylı hasarlar da dahil olmak üzere) Thrustmaster ürününün çalışır hale getirilmesi veya değiştirilmesi ile sınırlıdır. Yürürlükte olan yasaların izin vermesi halinde Guillemot, ticarete elverişlilik veya belirli bir amaca uygunluk ile ilgili tüm garantileri reddeder.

İşbu garanti aşağıdaki durumlar için geçerli değildir: (1) Ürün modifiye edilmişse, açılmışsa, üzerinde değişiklik yapılmışsa, uygunsuz veya kötü kullanım, ihmal, kaza, normal aşınma ya da malzeme veya üretim hatası ile ilgili olmayan nedenlerden dolayı hasar görmüşse (ancak bununla sınırlı kalmamak üzere, Thrustmaster ürününü herhangi uygun bir elemanla birleştirmek, buna dahil olarak özellikle güç kaynakları, yeniden doldurulabilir piller, şarj cihazları veya bu ürün için Guillemot tarafından tedarik edilmemiş tüm diğer elemanlar); (2) ürün, evde kullanım dışında, profesyonel veya ticari maksatlı olanlar da dahil olmak üzere (örneğin oyun salonları, eğitim, yarışlar) başka maksatlarla kullanılmışsa; (3) Teknik Destek servisi tarafından sağlanan talimatlara uyulmamışsa; (4) yazılım için, işbu garanti geçerli değildir, söz konusu yazılım için sağlanan özel garanti hükümlerine tabidir; (5) sarf malzemeleri için (ürünün kullanım süresi içinde değiştirilecek elemanlar: örneğin; tek kullanımlık piller, kulaklık yastıkları); (6) aksesuarlar için (örneğin; kablolar, kılıflar, cepler, çantalar, bileklikler); (7) ürün açık artırma ile satılmışsa.

Bu garanti devrulanamaz.

Tüketim mallarının tüketicinin ülkesinde satışına ilişkin tüketicinin yasal hakları işbu garantiden etkilenmemektedir.

## Ek garanti hükümleri

Garanti süresince, tüm Thrustmaster ürünlerini açmaya ve/veya onarmaya yetkili tek taraf Teknik Destek Servisi olduğundan prensip olarak Guillemot tarafından hiçbir yedek parça sağlanmayacaktır (Uygulanabilir olması durumunda yazılı talimatlarla ve müşteriye gerekli yedek parça(lar) sağlanarak Teknik Destek Servisinin müşteri tarafından yapılmasını isteyebileceği tüm onarım prosedürleri hariç – örneğin onarım işleminin basit olmasından ve gizlilik içermemesinden dolayı).

İnovasyon döngülerini dikkate almak ve bilgi birikimi ile ticari sırlarını korumak için Guillemot, prensip olarak garanti süresi dolmuş hiç bir Thrustmaster ürünü için onarım bilgisi veya yedek parça sağlamayacaktır.

## Sorumluluk

Yürürlükte olan yasaların izin vermesi halinde, Guillemot Corporation S.A. (bundan sonra "Guillemot" olarak ifade edilecektir) ve bağluları aşağıdakilerin biri veya daha fazlasından kaynaklanan her türlü hasara karşı tüm sorumluluğu reddeder: (1) Ürün modifiye edilmişse, açılmışsa, üzerinde değişiklik yapılmışsa; (2) montaj talimatlarına uyulmamışsa; (3) uygunsuz veya kötü kullanım, ihmal, kaza (örneğin bir darbe); (4) normal aşınma; (5) ürünün, evde kullanım dışında, profesyonel veya ticari amaçlı olanlar da dahil olmak üzere (örneğin oyun salonları, eğitim, yarışlar) başka amaçlarla kullanılması. Yürürlükte olan yasaların izin vermesi halinde, Guillemot ve bağluları ürünle ilgili malzeme veya üretim hatası ile ilgili olmayan her türlü hasara karşı tüm sorumluluğu reddeder (ancak bununla sınırlı kalmamak üzere, herhangi bir yazılımdan veya Thrustmaster ürününün herhangi bir uygun olmayan elemanla birleştirilmesinden doğrudan veya dolaylı olarak kaynaklanan tüm hasarlar, buna dahil olarak özellikle güç kaynakları, yeniden doldurulabilir piller, şarj cihazları veya bu ürün için Guillemot tarafından tedarik edilmemiş tüm diğer elemanlar).

**THRUSTMASTER®**

**TEKNİK DESTEK**

<https://support.thrustmaster.com>





## TELİF HAKKI

© 2019 Guillemot Corporation S.A. Tüm hakları saklıdır. Thrustmaster® Guillemot Corporation S.A'nın tescilli markasıdır. PlayStation®, Sony Interactive Entertainment Inc. kuruluşunun tescilli ticari markasıdır. Windows® Microsoft Corporation'ın Amerika Birleşik Devletleri'nde ve/veya diğer ülkelerde tescilli ticari markalarıdır. Sparco Sparco'nın tescilli ticari markasıdır. Diğer tüm ticari markalar kendi sahiplerinin. Resimler bağlayıcı değildir. İçerik, tasarım ve özellikler önceden haber verilmeksizin değiştirilebilir ve bir ülkeden başka bir ülkeye değişiklik gösterebilir. Çin'de yapılmıştır.

## ÇEVRE KORUMA ÖNERİLERİ



Avrupa Birliği'nde: Cihazın kullanım ömrü sona erdiğinde, standart ev atıkları ile atılmamalı, geri dönüşüm için Atık Elektrikli ve Elektronik Cihazların toplandığı bir yere bırakılmalıdır.

Bu, ürünün, kullanım kılavuzunun veya paketin üzerinde bulunan sembol ile onaylanmıştır.

Özelliklerine bağlı olarak malzemeler geri dönüştürülebilir. Atık Elektrik ve Elektronik Cihazların geri dönüşümü veya diğer işleme yöntemleri sayesinde çevrenin korunmasına yönelik önemli bir katkıda bulunabilirsiniz. Size en yakın toplama merkezleri hakkında bilgi almak için lütfen yerel yetkililerle iletişime geçin.

Diğer ülkeler için: Lütfen elektrikli ve elektronik cihazların geri dönüşümü için yerel yasalara uyunuz.

## AEEE Yönetmeliğine Uygunudur.

Bu belgeyi saklayın. Renkler ve süslemeler değişiklik gösterebilir.  
Plastik tutturucular ve bantlar, kullanmadan önce üründen çıkarılmalıdır.

[www.thrustmaster.com](http://www.thrustmaster.com)

*\*Sadece AB ve Türkiye için geçerlidir*

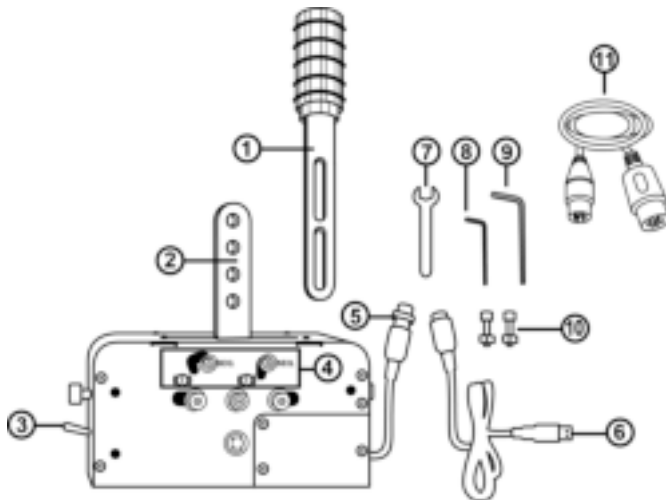


# TSS HANDBRAKE+

## sparco® Mod

PC – PS4™ – Xbox One®

### Instrukcja obsługi



### ELEMENTY

- 1 Demontowana dźwignia (*fabrycznie niezamontowana*)
- 2 Ramiona do mocowania dźwigni
- 3 Wybierak HAMULEC RĘCZNY / DŹWIGNIA SEKWENCYJNEJ ZMIANY BIEGÓW
- 4 Mechaniczny układ przestawiania (do zmiany między trybami HAMULCA RĘCZNEGO i DŹWIGNI SEKWENCYJNEJ ZMIANY BIEGÓW)
- 5 Kabel DIN ze złączem żeńskim w podstawie
- 6 Odcłaczany kabel DIN (złącze męskie) / USB
- 7 Kucz maszynowy 13 mm
- 8 Klucz imbusowy 3 mm
- 9 Klucz imbusowy 6 mm
- 10 2 śruby BTR M8 + 2 nakrętki M8
- 11 Odcłaczany kabel mini-DIN / DIN

## OSTRZEŻENIE

Zanim rozpoczniesz korzystanie z urządzenia, szczegółowo zapoznaj z niniejszą instrukcją, a następnie zachowaj ją do wglądu.



### **Ostrzeżenie — ryzyko porażenia prądem elektrycznym**

- \* Przechowuj urządzenie w suchym miejscu i nie wystawiaj go na działanie kurzu ani światła słonecznego.
- \* Przestrzegaj właściwego kierunku podłączania złączy.
- \* Nie skręcaj ani nie naciągaj złączy ani kabli.
- \* Nie wylewaj cieczy na urządzenie ani jego złącze.
- \* Nie zwieraj urządzenia.
- \* Nie demontuj urządzenia (poza dopuszczalnymi przypadkami regulacji opisanymi w instrukcji), nie próbuj go palić ani nie narażaj na działanie wysokich temperatur.



### **Ostrzeżenie — ryzyko obrażeń ciała spowodowanych powtarzającymi się ruchami**

Korzystanie z dźwigni zmiany biegów lub hamulca ręcznego może doprowadzić do bólu mięśni i stawów. W celu uniknięcia problemów:

- \* Unikaj grania przez długi czas.
- \* Po każdej godzinie gry rób 10–15 minut przerwy.
- \* Jeśli odczuwasz zmęczenie lub ból dłoni, nadgarstków albo ramion, przerwij grę, a przed jej wznowieniem odpocznij kilka godzin.
- \* Jeśli po wznowieniu gry opisane powyżej objawy lub ból powrócą, przerwij grę i poradź się lekarza.
- \* Sprawdź, czy podstawa urządzenia TSS HANDBRAKE jest właściwie zamontowana zgodnie ze wskazówkami podanymi w tej instrukcji.



### **Ostrzeżenie — ryzyko przytrzaśnięcia w otworach nakładki**

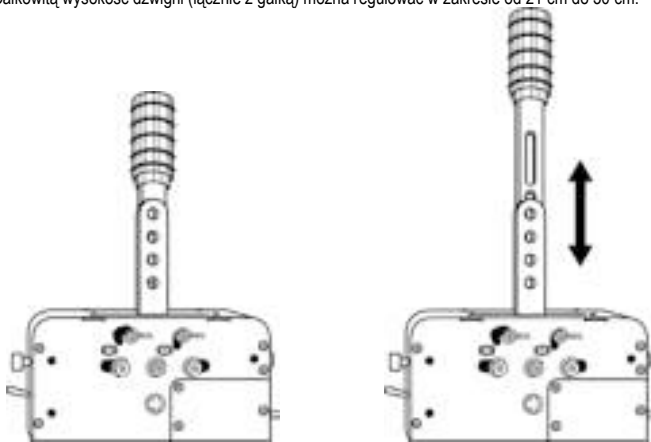
- \* Trzymaj urządzenie z dala od dzieci.
- \* Podczas gry nigdy nie wkładaj palców (ani innych części ciała) w otwory nakładki skrzyni biegów wchodzącej w skład urządzenia TSS HANDBRAKE.

**NIGDY**

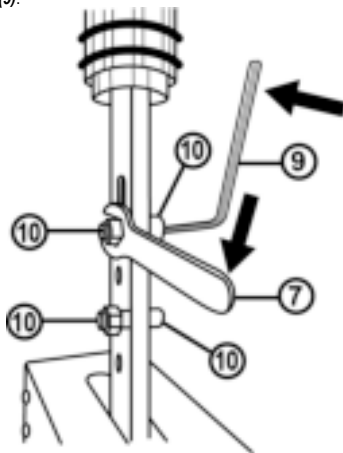


## MONTOWANIE DŹWIGNI (1) NA RAMIONACH DO MOCOWANIA (2)

1. Wsuń demontowaną dźwignię (1) między ramiona do mocowania (2).
2. Ustaw dźwignię na żądanej wysokości.  
Całkowitą wysokość dźwigni (łącznie z gałką) można regulować w zakresie od 21 cm do 30 cm.



3. Zamocuj dźwignię do ramion przy użyciu 2 śrub BTR M8 (10), 2 nakrętek M8 (10) i klucza imbusowego 6 mm (9).



## KONFIGUROWANIE TRYBU HAMULCA RĘCZNEGO

Domyślnie (po rozpakowaniu) urządzenie TSS HANDBRAKE jest skonfigurowane w trybie HAMULCA RĘCZNEGO.

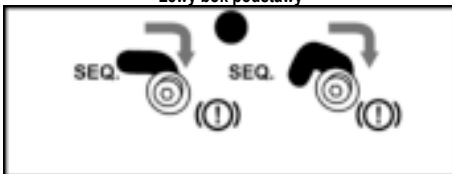
1. Wybierak HAMULEC RĘCZNY / DŹWIGNIA ZMIANY BIEGÓW (3) znajduje się w dolnym położeniu trybu HAMULCA RĘCZNEGO.

Przód podstawy

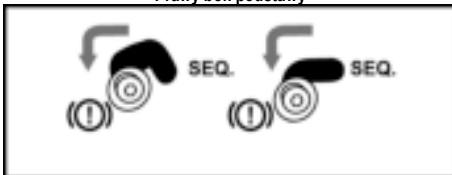


2. Układ mechaniczny umożliwiający przestawienie trybu HAMULCA RĘCZNEGO na tryb DŹWIGNI SEKWENCYJNEJ ZMIANY BIEGÓW (4) jest ustawiony w położeniu HAMULCA RĘCZNEGO.

Lewy bok podstawy



Prawy bok podstawy



## KONFIGUROWANIE TRYBU DŹWIGNI SEKWENCYJNEJ ZMIANY BIEGÓW

1. Przesław wybierak **HAMULEC RĘCZNY / DŹWIGNIA ZMIANY BIEGÓW (3)** do góry w położenie trybu **DŹWIGNI SEKWENCYJNEJ ZMIANY BIEGÓW**.

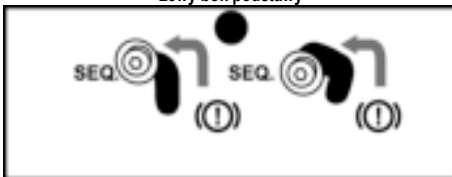
**Przód podstawy**



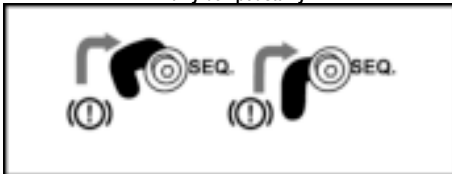
2. Aby zmienić tryb **HAMULCA RĘCZNEGO** na tryb **DŹWIGNI SEKWENCYJNEJ ZMIANY BIEGÓW (4)**, przy użyciu klucza imbusowego 3 mm **(8)** lekko odkręć śruby układu mechanicznego (po 2 śruby znajdujące się na każdym boku podstawy).

3. Przesuń te 4 śruby (po 2 śruby znajdujące się na każdym boku podstawy) w położenie **SEQ.**

**Lewy bok podstawy**



**Prawy bok podstawy**

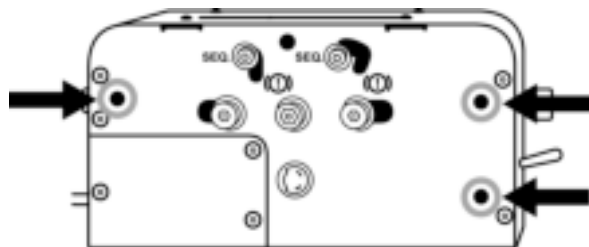
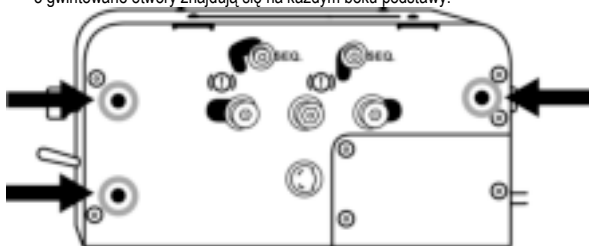


4. Sprawdź, czy położenie tych 4 śrub (po 2 na każdym boku podstawy) zostało całkowicie zmienione, a następnie dokręć je kluczem imbusowym 3 mm **(8)**.

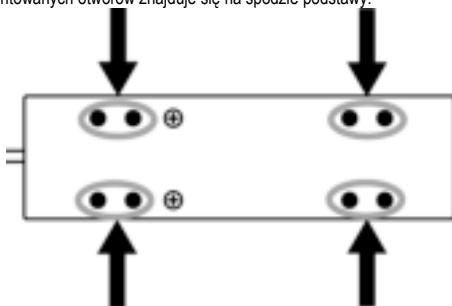
## INSTALOWANIE URZĄDZENIA TSS HANDBRAKE

Urządzenie TSS HANDBRAKE można przymocować do wielu zgodnych z nim wsporników i podpórek (do nabycia osobno), korzystając z otworów z gwintem M6 znajdujących się na obu bokach urządzenia i pod jego podstawą:

- 3 gwintowane otwory znajdują się na każdym boku podstawy.



- 8 gwintowanych otworów znajduje się na spodzie podstawy.



Szablon instalacji urządzenia TSS HANDBRAKE w kokpicie jest dostępny na stronie <https://support.thrustmaster.com>. Wybierz Racing Wheels / TSS HANDBRAKE, a następnie Template - Cockpit Setup.



## NIE DOKRĘCAJ ANI NIE ODKRĘCAJ TYCH ŚRUB



Z wyjątkiem śrub związanych z układem mechanicznym służącym do zmiany trybu HAMULCA RĘCZNEGO na tryb DŹWIGNI SEKWENCYJNEJ ZMIANY BIEGÓW (4) nie wolno dokręcać ani odkręcać żadnych śrub znajdujących się na podstawie urządzenia TSS HANDBRAKE.

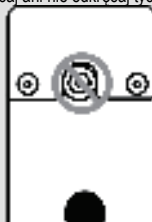
Lewy bok podstawy — nigdy nie dokręcaj ani nie odkręcaj tych śrub:



Prawy bok podstawy — nigdy nie dokręcaj ani nie odkręcaj tych śrub:



Przód i tył podstawy — nigdy nie dokręcaj ani nie odkręcaj tych śrub:





## INSTRUKCJA INSTALACJI NA KOMPUTERZE PC

1. Wejdź na stronę <https://support.thrustmaster.com> w celu pobrania sterowników do komputera PC. Wybierz Racing Wheels / TSS HANDBRAKE, a następnie Drivers.
2. Po zakończeniu pobierania uruchom program instalacyjny i wykonaj instrukcje wyświetlane na ekranie.
3. Gdy program instalacyjny o to poprosi, podłącz urządzenie TSS HANDBRAKE do jednego z portów USB komputera za pomocą odłączanego kabla DIN (złącze męskie) / USB (6) i dokończ instalowanie sterownika.
4. Po zakończeniu instalacji kliknij Finish (Zakończ) i uruchom ponownie komputer.
5. Wybierz Start / All Programs / Thrustmaster / TH8 Shifter / Control Panel (Start / Wszystkie programy / Thrustmaster / TH8 Shifter / Panel sterowania), aby otworzyć okno Game Controllers (Kontrolery gier). W oknie Game Controllers (Kontrolery gier) zostanie wyświetlona nazwa **TSS HANDBRAKE Sparco® Mod** ze statusem OK.
6. Kliknij Properties (Właściwości), aby wyświetlić urządzenie TSS HANDBRAKE w Panelu sterowania systemu Windows:



## Na komputerze PC, gdy urządzenie TSS HANDBRAKE jest podłączone do portu USB za pomocą odłączanego kabla DIN (złącze męskie) / USB (6), urządzenie to jest zgodne:

- z trybem HAMULCA RĘCZNEGO [progressywnym] i trybem DŹWIGNI SEKWENCYJNEJ ZMIANY BIEGÓW [+/-];
- ze wszystkimi grami obsługującymi funkcję multi-USB oraz osobne hamulce ręczne i dźwignie zmiany biegów;
- ze wszystkimi kierownicami wyścigowymi dostępnymi na rynku.

## Na komputerze PC, gdy urządzenie TSS HANDBRAKE jest podłączone z tyłu zgodnej podstawy kierownicy wyścigowej Thrustmaster za pomocą odłączanego kabla mini-DIN / DIN (11), urządzenie to jest zgodne:

- wyłącznie z trybem DŹWIGNI SEKWENCYJNEJ ZMIANY BIEGÓW [+/-];
- ze wszystkimi grami (ponieważ urządzenie TSS HANDBRAKE jest powiązane z łopatkami zmiany biegów UP i DOWN dostępnymi w kierownicy);
- wyłącznie z zgodnymi podstawami kierownic Thrustmaster (TS-PC Racer, T-GT, T300, TS-XW Racer i TX).



**UWAGA:** aby umożliwić podłączenie urządzenia TSS HANDBRAKE do podstawy kierownicy TS-PC Racer, T-GT, T300, TS-XW Racer lub TX, oprogramowanie sprzętowe podstawy należy zaktualizować do najnowszej wersji dostępnej na stronie <https://support.thrustmaster.com/>.

## Ogólne uwagi dotyczące komputera PC:

\* Zawsze pamiętaj, aby przed uruchomieniem gry całkowicie zamknąć okno Game Controllers (Kontrolery gier), klikając OK.

\* Wersja oprogramowania sprzętowego urządzenia TSS HANDBRAKE jest wyświetlana w prawej górnej części kart Panelu sterowania.

\* Jeśli zdecydujesz się użyć połączenia USB, zalecamy podłączenie kierownicy wyścigowej i urządzenia TSS HANDBRAKE bezpośrednio do portów USB 2.0 (nie USB 3.0) w komputerze, bez korzystania z koncentratora.

\* Niektóre gry umożliwiają jednoczesne korzystanie z 2 urządzeń TSS HANDBRAKE:

- 1 urządzenia TSS HANDBRAKE w trybie HAMULCA RĘCZNEGO,
- 1 urządzenia TSS HANDBRAKE w trybie DŹWIGNI SEKWENCYJNEJ ZMIANY BIEGÓW.

## INSTALACJA W PRZYPADKU KONSOL PS4™ I XBOX ONE®

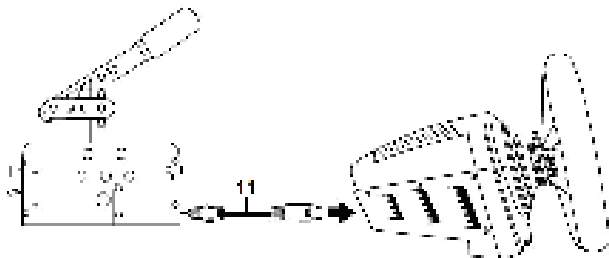
W przypadku konsol PS4™ i Xbox One® urządzenie TSS HANDBRAKE jest zgodne z następującymi podstawami kierownic wyścigowych:

- Thrustmaster T-GT i T300 w przypadku konsoli PS4™
- Thrustmaster TS-XW Racer i TX w przypadku konsoli Xbox One®

**! UWAGA:** aby zapewnić optymalne działanie urządzenia TSS HANDBRAKE z konsolą PS4™ lub Xbox One®, należy zaktualizować oprogramowanie sprzętowe podstawy kierownicy (T-GT, T300, TS-XW Racer lub TX) do najnowszej wersji dostępnej na stronie <https://support.thrustmaster.com/>.

### Instalacja:

1. Za pomocą odłączanego kabla mini-DIN / DIN (**11**) podłącz urządzenie TSS HANDBRAKE bezpośrednio do złącza żeńskiego mini-DIN umieszczonego z tyłu podstawy kierownicy.



2. Podłącz kierownicę do konsoli.  
TERAZ MOŻESZ ZACZAĆ GRAĆ!

### Ogólne uwagi dotyczące konsol PS4™ i Xbox One®:

— W przypadku korzystania z konsol PS4™ i Xbox One® nigdy nie używaj ani nie podłączaj kabla DIN (złącze męskie) / USB (**6**). Urządzenie TSS HANDBRAKE musi być zawsze podłączone do zgodnej podstawy kierownicy wyścigowej Thrustmaster, a nie do konsoli.

— Gdy urządzenie TSS HANDBRAKE jest podłączone do zgodnej podstawy kierownicy Thrustmaster:

- Tryb DŹWIGNI SEKWENCYJNEJ ZMIANY BIEGÓW [+/-] działa we wszystkich grach, ponieważ jest powiązany z dostępnymi w kierownicy łopatkami zmiany biegów UP i DOWN.
- Tryb HAMULCA RĘCZNEGO [progresywny] działa w grach, które obsługują funkcję hamulca ręcznego\*.

\* Lista gier na PS4™ i Xbox One® zgodnych z hamulcami ręcznymi jest dostępna na stronie <https://support.thrustmaster.com/>. W sekcji **Racing Wheels** (Kierownice wyścigowe) wybierz **TM SIM HUB** lub **TSS Handbrake Sparco® Mod**.

## PODŁĄCZANIE URZĄDZENIA TSS HANDBRAKE W ZALEŻNOŚCI OD UŻYWANEJ PLATFORMY — PODSUMOWANIE

	Sposób podłączenia urządzenia TSS HANDBRAKE
<b>PC</b> (tryb HAMULCA RĘCZNEGO i tryb DŹWIGNI SEKWENCYJNEJ ZMIANY BIEGÓW)	Do komputera za pomocą odłączanego kabla DIN (złącze męskie) / USB (6). Urządzenie jest zgodne ze wszystkimi kierownicami wyścigowymi dostępnymi na rynku.
<b>PC</b> (wyłączenie tryb DŹWIGNI SEKWENCYJNEJ ZMIANY BIEGÓW)	Z tyłu zgodnej podstawy kierownicy wyścigowej Thrustmaster za pomocą odłączanego kabla mini-DIN / DIN (11).
<b>PS4™</b> (tryb HAMULCA RĘCZNEGO i tryb DŹWIGNI SEKWENCYJNEJ ZMIANY BIEGÓW)	Z tyłu zgodnej podstawy kierownicy wyścigowej Thrustmaster za pomocą odłączanego kabla mini-DIN / DIN (11).
<b>XBOX ONE®</b> (tryb HAMULCA RĘCZNEGO i tryb DŹWIGNI SEKWENCYJNEJ ZMIANY BIEGÓW)	Z tyłu zgodnej podstawy kierownicy wyścigowej Thrustmaster za pomocą odłączanego kabla mini-DIN / DIN (11).

## AKTUALIZOWANIE OPROGRAMOWANIA SPRZĘTOWEGO URZĄDZENIA TSS HANDBRAKE

Oprogramowanie zawarte w podstawie urządzenia TSS HANDBRAKE można zaktualizować do nowszej wersji zawierającej różne udoskonalenia.

Aby wyświetlić wersję oprogramowania sprzętowego urządzenia TSS HANDBRAKE i w razie potrzeby je zaktualizować, na komputerze wejdź na stronę <https://support.thrustmaster.com>, wybierz **Racing wheels / TSS HANDBRAKE**, wybierz **Firmware**, a następnie postępuj zgodnie z instrukcją pobierania i instalacji.

## ZAAWANSOWANY PROGRAM DO KALIBRACJI

Kalibracja urządzenia TSS HANDBRAKE jest wykonywana automatycznie.

Ponadto na stronie <https://support.thrustmaster.com> jest dostępny zaawansowany program do kalibracji na komputer PC: wybierz Racing Wheels / TSS HANDBRAKE, a następnie Software.

Program ten umożliwia regulowanie:

- zakresu ruchu w trybie HAMULCA RĘCZNEGO,
- zakresu ruchu w trybie DŹWIGNI SEKWENCYJNEJ ZMIANY BIEGÓW.

Wprowadzone ustawienia są natychmiast zapisywane w pamięci wewnętrznej urządzenia TSS HANDBRAKE, dzięki czemu obowiązują we wszystkich grach, niezależnie od tego, czy korzystasz z komputera PC, czy z konsoli PS4™ lub Xbox One®.

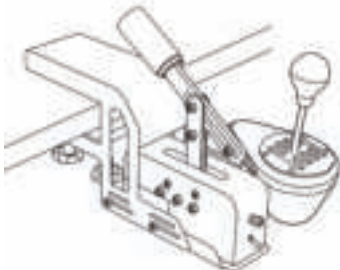
## PORADY I WSKAZÓWKI (niewymienione w tej instrukcji)

Różne porady i wskazówki są dostępne w witrynie <https://support.thrustmaster.com> — wybierz Racing Wheels / TSS HANDBRAKE.

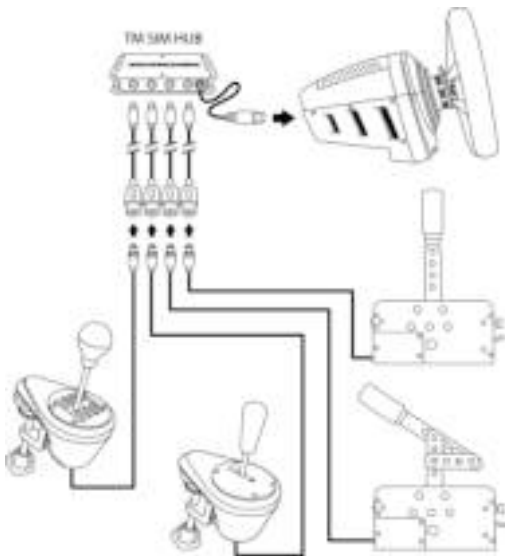
## KOMPLEKSOWY SYSTEM

Urządzenie TSS HANDBRAKE jest również zgodne z innymi osobno sprzedawanymi akcesoriami:

\* **TM RACING CLAMP** — solidny wspornik umożliwiający bezpieczne zamocowanie urządzenia TSS Handbrake i skrzyni biegów TH8A bezpośrednio na stole lub biurku, bez korzystania z kokpitu.



\* **TM SIM HUB** — koncentrator umożliwiający jednoczesne podłączenie nawet czterech akcesoriów bezpośrednio do złącza mini-DIN znajdującego się z tyłu zgodnej podstawy kierownicy wyścigowej Thrustmaster.



## INFORMACJE DOTYCZĄCE GWARANCJI DLA KLIENTA

Firma Guillemot Corporation S.A. z siedzibą pod adresem Place du Granier, B.P. 97143, 35571 Chantepie, Francja („Guillemot”) udziela klientowi obowiązującej na całym świecie gwarancji, że niniejszy produkt Thrustmaster będzie wolny od wad materiałowych i produkcyjnych przez okres gwarancji równy limitowi czasu, w którym klient może występować z roszczeniami z tytułu wad niniejszego produktu. W krajach Unii Europejskiej jest to okres dwóch (2) lat od dostarczenia produktu Thrustmaster. W innych krajach okres gwarancji jest równy limitowi czasu, w którym klient może występować z roszczeniami z tytułu wad produktu Thrustmaster zgodnie z przepisami obowiązującymi w kraju, w którym klient mieszkał w dniu zakupu produktu Thrustmaster. (Jeśli przepisy danego kraju nie przewidywają występowania z takimi roszczeniami, okres gwarancji będzie wynosił jeden (1) rok od pierwotnej daty zakupu produktu Thrustmaster).

Jeśli w okresie gwarancji wystąpią objawy mogące świadczyć o wadzie produktu, należy niezwłocznie skontaktować się z działem pomocy technicznej, który wskaże dalszy sposób postępowania. W razie potwierdzenia wady produkt należy zwrócić w punkcie zakupu (lub innym miejscu wskazanym przez dział pomocy technicznej).

W ramach niniejszej gwarancji wadliwy produkt zostanie wymieniony lub przywrócony do stanu sprawności użytkowej, zgodnie z decyzją działu pomocy technicznej. Jeśli w okresie gwarancji produkt Thrustmaster zostanie poddany czynnościom mającym na celu przywrócenie go do stanu użytkowego, dowolny okres co najmniej siedmiu (7) dni, podczas których produkt nie jest użytkowany, zostanie dodany do pozostałego okresu gwarancji (okres ten liczy się od dnia, w którym klient poprosi o interwencję, lub od dnia, w którym dany produkt zostanie udostępniony celem przywrócenia do stanu użytkowego, jeśli data udostępnienia celem przywrócenia do stanu użytkowego następuje po dacie próby o interwencję). Jeśli zezwala na to obowiązujące prawo, całkowita odpowiedzialność firmy Guillemot i jej podmiotów zależnych (łącznie z odpowiedzialnością za szkody wtórne) ogranicza się do przywrócenia do stanu użytkowego lub wymiany produktu Thrustmaster. Jeśli zezwala na to obowiązujące prawo, firma Guillemot wyłącza wszelkie gwarancje pokupności i przydatności do określonego celu.

Niniejsza gwarancja nie obowiązuje: (1) w przypadku, gdy produkt został zmodyfikowany, otwarty, zmieniony albo uszkodzony na skutek nieodpowiedniego lub nadmiernego użytkowania, niedbałości, wypadku, normalnego zużycia lub z innego powodu niezwiązanego z wadą materiałową ani produkcyjną (w tym między innymi z powodu połączenia produktu Thrustmaster z nieodpowiednim elementem, w tym w szczególności z zasilaczem, akumulatorem, ładowarką lub jakimkolwiek innym elementem niedostarczonym przez firmę Guillemot dla tego produktu); (2) w przypadku używania produktu w sposób inny niż użytek domowy, w tym do celów zawodowych lub komercyjnych (na przykład w salonach gier albo do prowadzenia szkoleń lub zawodów); (3) w razie nieprzestrzegania instrukcji podanych przez dział pomocy technicznej; (4) w odniesieniu do oprogramowania, jako że oprogramowanie to jest objęte odrębną szczegółową gwarancją; (5) w odniesieniu do materiałów eksploatacyjnych (elementów wymienianych w czasie eksploatacji produktu, na przykład baterii jednorazowych, muszli/nakładek na uszy do zestawów słuchawkowych lub słuchawek); (6) w odniesieniu do akcesoriów (na przykład kabli, pokrowców, etui, torebek, pasków na rękę); (7) w przypadku sprzedania produktu na aukcji publicznej.

Niniejsza gwarancja nie podlega przeniesieniu.

Niniejsza gwarancja nie wpływa na prawa klienta wynikające z przepisów dotyczących sprzedaży dóbr konsumenckich w kraju klienta.

### **Dodatkowe postanowienia gwarancyjne**

W okresie gwarancji firma Guillemot zasadniczo nie udostępnia jakichkolwiek części zamiennych, ponieważ jedynym podmiotem upoważnionym do otwarcia jakiegokolwiek produktu Thrustmaster i/lub przywrócenia go do stanu użytkowego jest dział pomocy technicznej (oprócz ewentualnych procedur przywracania produktu do stanu użytkowego, o wykonanie których dział pomocy technicznej może poprosić klienta przez przekazanie pisemnych instrukcji — np. ze względu na prostotę i jawność procesu przywracania do stanu użytkowego — oraz, w razie potrzeby, przez udostępnienie klientowi wymaganych części zamiennych).

Ze względu na realizowane cykle innowacji oraz konieczność zapewnienia ochrony swojej specjalistycznej wiedzy i tajemnic handlowych firma Guillemot zasadniczo nie udostępnia powiadomień dotyczących przywracania do stanu użytkowego ani części zamiennych w przypadku produktów Thrustmaster, których okres gwarancji upłynął.

### **Odpowiedzialność**

Jeśli zezwala na to obowiązujące prawo, firma Guillemot Corporation S.A. („Guillemot”) i jej podmioty zależne nie ponoszą żadnej odpowiedzialności za szkody spowodowane przez co najmniej jeden z następujących czynników: (1) modyfikację lub otwarcie produktu bądź wprowadzenie w nim zmian; (2) nieprzestrzeganie instrukcji montażu; (3) nieodpowiednie lub nadmierne użytkowanie, niedbałość, wypadek (na przykład uderzenie); (4) normalne zużycie; (5) używanie produktu w sposób inny niż użytek domowy, w tym do celów zawodowych lub komercyjnych (na przykład w salonach gier albo do prowadzenia szkoleń lub zawodów). Jeśli zezwala na to obowiązujące prawo, firma Guillemot i jej podmioty zależne nie ponoszą żadnej odpowiedzialności za szkody niezwiązane z wadą materiałową lub produkcyjną produktu (w tym między innymi za szkody spowodowane bezpośrednio lub pośrednio przez jakiegokolwiek oprogramowanie lub na skutek połączenia produktu Thrustmaster z nieodpowiednim elementem, w tym w szczególności z zasilaczem, akumulatorem, ładowarką lub jakimkolwiek innym elementem niedostarczonym przez firmę Guillemot dla tego produktu).

**THRUSTMASTER®**

**WSPARCIE TECHNICZNE**

<https://support.thrustmaster.co>

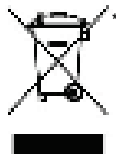




## PRAWA AUTORSKIE

© 2019 Guillemot Corporation S.A. Wszelkie prawa zastrzeżone. Thrustmaster® jest zastrzeżonym znakiem towarowym firmy Guillemot Corporation S.A. PlayStation® jest zastrzeżonym znakiem towarowym firmy Sony Interactive Entertainment Inc. Windows® jest zastrzeżonym znakiem towarowym firmy Microsoft Corporation w USA i/lub innych krajach. Sparco est zastrzeżonym znakiem towarowym firmy Sparco S.p.A. Wszystkie inne znaki towarowe stanowią własność odpowiednich podmiotów. Ilustracje nie są wiążące prawnie. Treść, wzory i dane techniczne przedstawione w instrukcji mogą ulec zmianie bez powiadomienia i mogą różnić się w zależności od kraju. Wyprodukowano w Chinach.

## ZALECENIE DOTYCZĄCE OCHRONY ŚRODOWISKA



Na terenie Unii Europejskiej: gdy okres przydatności produktu do eksploatacji dobiegnie końca, produktu nie należy pozbywać się wraz ze zwykłymi odpadami z gospodarstwa domowego, ale oddać do recyklingu w punkcie zbiórki zużytego sprzętu elektrycznego i elektronicznego. Potwierdza to symbol znajdujący się na produkcie, w instrukcji obsługi lub na opakowaniu.

Zależnie od swoich właściwości materiały zawarte w produkcie mogą nadawać się do recyklingu. Dzięki recyklingowi i innym formom utylizacji zużytych urządzeń elektrycznych i elektronicznych klient może w znacznym stopniu przyczynić się do

ochrony środowiska. Aby uzyskać informacje o najbliższych punktach zbiórki odpadów, należy skontaktować z miejscowymi władzami.

We wszystkich innych krajach: należy przestrzegać miejscowych przepisów dotyczących recyklingu sprzętu elektrycznego i elektronicznego.

Niniejsze informacje należy zachować. Kolorystyka i elementy ozdobne mogą różnić się od przedstawionych.

Przed korzystaniem z produktu należy zdjąć z niego plastikowe elementy mocujące oraz naklejki.

[www.thrustmaster.com](http://www.thrustmaster.com)

*\*Dotyczy wyłącznie UE i Turcji*

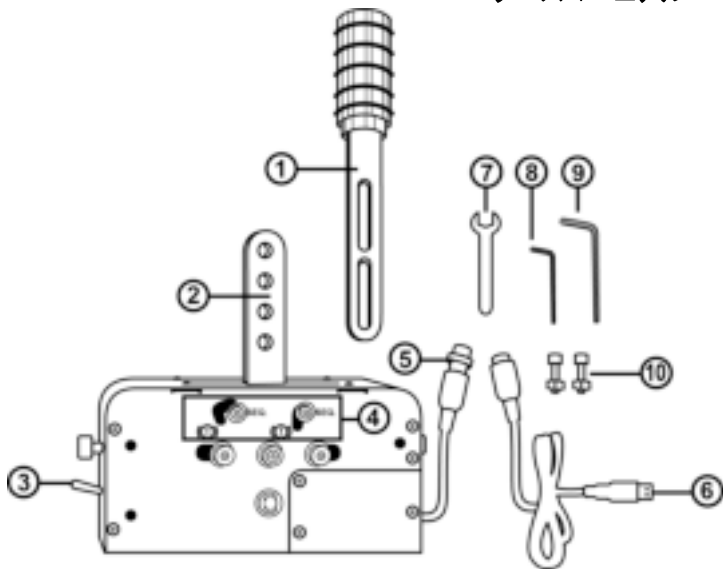


# TSS HANDBRAKE+

## sparco® Mod

PC - PS4™ - Xbox One®

### ユーザーズマニュアル



### 技術仕様

- 1 脱着式レバー (デフォルトの状態では取り付けられていません)
- 2 レバー取り付けアーム
- 3 ハンドブレーキ / シーケンシャルシフター モードセレクター
- 4 メカニカルスイッチングシステム (ハンドブレーキ モードとシーケンシャルシフター モードの切り替え用)
- 5 ベース部 DIN ケーブルおよびメスコネクター6 取り外し式オス DIN / USB ケーブル
- 7 13 mm 六角レンチ
- 8 3 mm 六角レンチ
- 9 6 mm 六角レンチ
- 10 BTR M8 ねじ x 2 + M8 ナット x 2
- 11 脱着式 ミニ DIN/DIN ケーブル

## 警告

本製品をお使いになる前に、このマニュアルをしっかりとお読みください。また、必要な時に読めるように大切に保管してください。



### 警告 - 感電

- \* 本製品は湿気・ホコリの多い場所や、直射日光のあたる場所で保管しないでください。
- \* 取り付けの際は、コネクターの向きをよく確認してください。
- \* コネクターやケーブルを、ねじったり引っ張ったりしないでください。
- \* 本製品やコネクターをぬらさないでください。
- \* 本製品をショートさせないでください。
- \* 本製品の分解や改造は絶対にしないでください(このマニュアルの指示に沿った調整は除く)。また、本製品を火の中に投棄したり、高温にさらしたりしないでください。



### 警告 - 連続使用によるケガ・痛み

シフターやハンドブレーキの連続使用は、筋肉や関節の痛みを引き起こす恐れがあります。以下の事項を必ず守ってください。

- \* 長時間連続のプレイは避けてください。
- \* 1時間ごとに10～15分の休憩をとるようにしてください。
- \* 手、手首、腕、足を始めとする身体の部位に疲れや痛みを感じたときはプレイをただちに中止し、再開する前に数時間の休憩をとるようにしてください。
- \* 休憩後にプレイを再開しても、上記の症状や痛みがとれない場合は、プレイを中止して医師に相談してください。
- \* TSS HANDBRAKE のベース部が、本ユーザーマニュアルの記載どおりに正しく設置されていることを確認してください。



### 警告 - シフトレバーのすき間に注意

- \* お子様の手の届かない場所で使用してください。
- \* ゲームのプレイ中は、TSS HANDBRAKE のシフトプレートのすき間に指などを絶対に近づけないでください。はさまれてケガをする危険があります。

## 危険

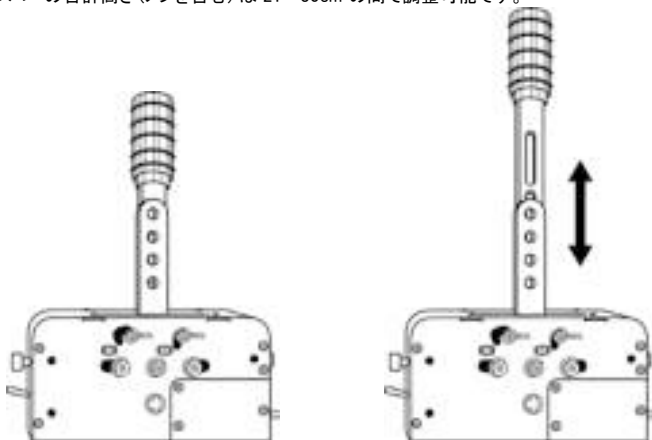


## 脱着式レバー (1) を取り付けアーム (2) に取り付ける

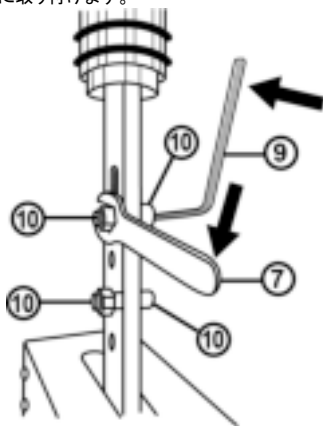
1. 脱着式レバー (1) を取り付けアーム (2) の間にスライドします。

2. レバーを任意の高さに調節します。

レバーの合計高さ(ノブを含む)は 21~30cm の間で調整可能です。



3. BTR M8 ねじ 2 本 (10)、M8 ナット 2 個 (10)、6 mm 六角レンチ (9) を使ってレバーを取り付けアームに取り付けます。



## ハンドブレーキモードの設定

デフォルトの状態（箱から取り出した状態）では、TSS HANDBRAKE はハンドブレーキモードに設定されています。

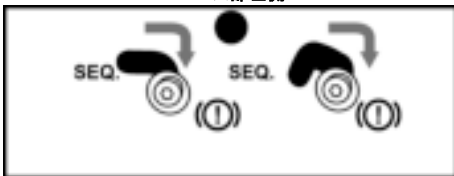
1. ハンドブレーキ / シーケンシャルシフター モードセクター(3) は、ハンドブレーキモードのポジションに下げられています。

ベース部前面

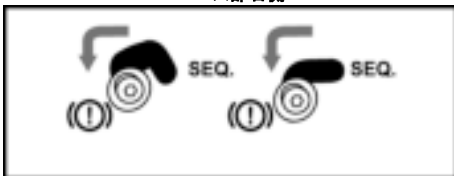


2. ハンドブレーキモードからシーケンシャルシフターモード(4)に切り替えることのできるメカニカルシステム。デフォルトの状態ではハンドブレーキのポジションに設定されています。

ベース部左側



ベース部右側



## シーケンシャルシフターモードの設定

1. ハンドブレーキ / シーケンシャルシフター モードセクター(3)をシーケンシャルシフター モードのポジションに上げます。

ベース部前面

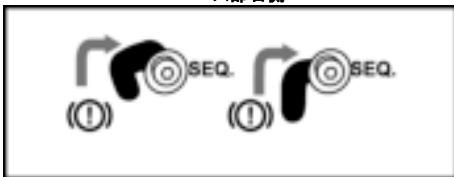


2. ハンドブレーキ モードからシーケンシャルシフター モード(4)に切り替えて、3mm 六角レンチ(8)を使ってメカニカルシステムのねじ(ベース部両側の2本)を少し緩めます。
3. これら4本のねじ(ベース部の両側に2本ずつ)をSEQ.のポジションに移動します。

ベース部左側



ベース部右側

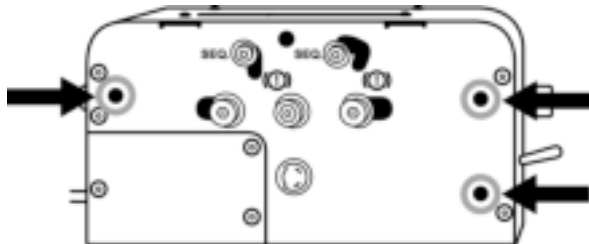
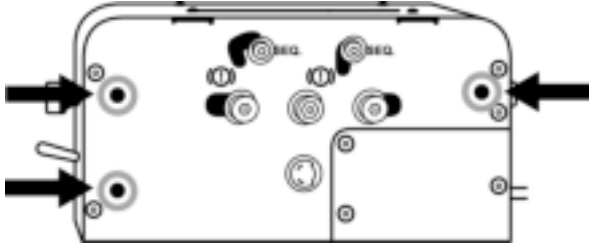


4. 4本のねじ(ベース部の両側に2本ずつ)が完璧にセットされていることを確認の上、3mm 六角レンチ(8)を使って締めてください。

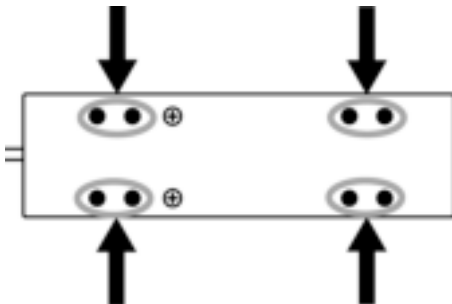
## TSS ハンドブレーキの取り付け

TSS HANDBRAKE は、互換性のあるさまざまな製品（別売）と、両サイドとベース部の底に設けられた M6 ねじ穴を使って取り付けすることができます。

- ベース部の両側には 3 個のねじ穴が開いています。



- ベース部の底には 8 個のねじ穴が開いています。



TSS HANDBRAKE コックピットの設置用テンプレートは、以下のアドレスにて入手できます：  
<https://support.thrustmaster.com> [ステアリングホイール] / [TSS HANDBRAKE] を選択し、続いて [Template] - [Cockpit Setup] を選択します。

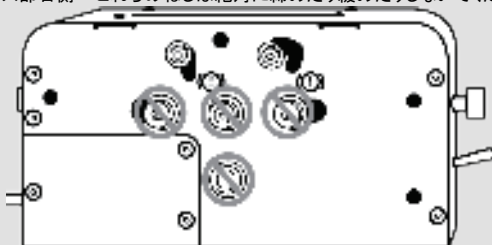
**! これらのねじを締めたり緩めたりしないでください !**

ハンドブレーキ モードをシーケンシャルシフター モード (4) に切り替えるために使用するメカニカルシステム関連のねじを除いては、TSS HANDBRAKE のベース部のねじは絶対に緩めたり締めたりしないでください。

ベース部左側 = これらのねじは絶対に締めたり緩めたりしないでください:



ベース部右側 = これらのねじは絶対に締めたり緩めたりしないでください:



ベース部前面および背面 = これらのねじは絶対に締めたり緩めたりしないでください:





## PC 用取り付け手順

1. <https://support.thrustmaster.com> にアクセスし、PC ドライバをダウンロードします。  
[ステアリングホイール] / [TSS HANDBRAKE] を選択し、続いて [ドライバ] を選択します。
2. ダウンロードが終了したらインストールプログラムを実行し、表示される指示に従ってください。
3. インストールプログラムの指示に従い、着脱式 オス DIN/USB ケーブル (6) を使って TSS HANDBRAKE を PC の USB ポートに接続し、ドライバのインストールを完了してください。
4. インストールが終了したら、[終了] をクリックしてコンピュータを再起動します。
5. [スタート] > [すべてのプログラム] > [Thrustmaster] > [TH8 Shifter] > [Control Panel] を選択し、[ゲーム コントローラ] ダイアログを開きます。  
[ゲーム コントローラ] ウィンドウが開き、「TSS HANDBRAKE Sparco® Mod」とステータス「OK」が表示されます。
6. 「プロパティ」をクリックして、Windows コントロール パネルで TSS HANDBRAKE を表示します。



PC では、脱着式のオス DIN / USB ケーブル (6) を使って TSS HANDBRAKE を互換性のある Thrustmaster ステアリングコントローラーのベース部に接続します。TSS HANDBRAKE は以下と互換性があります:

- ハンドブレーキ [プログレッシブ] およびシーケンシャルシフター モード [+/-]
- マルチ USB、外付けハンドブレーキおよびシフトレバーに対応しているすべてのゲーム
- 市販されているすべてのステアリングコントローラー

PC では、脱着式のミニ DIN / DIN ケーブル (11) を使って TSS HANDBRAKE を互換性のある Thrustmaster ステアリングコントローラーのベース部に接続します。TSS HANDBRAKE は以下と互換性があります:

- シーケンシャルシフター モード[+/-] のみ
- すべてのゲーム (TSS HANDBRAKE は、ステアリングコントローラーの UP/DOWN パドルシフターと連動します)。
- 互換性のある Thrustmaster ステアリングコントローラーのベース部のみ (TS-PC Racer、T-GT、T300、TS-XW Racer、および TX)。

**⚠ 重要:** TSS HANDBRAKE を接続するには、お使いのステアリングコントローラーのベース部 (TS-PC Racer、T-GT、T300、TS-XW Racer、および TX) のファームウェアをダウンロード (<https://support.thrustmaster.com/>) してインストールする必要があります。

## PC に関する一般的な注意

\* ゲームを開始する前に、OK をクリックして必ずゲーム コントローラーのウィンドウを完全に閉じてください。

\* TSS HANDBRAKE のファームウェアのバージョンが、[Control Panel] タブの右上隅に表示されます。

\* USB 接続を使用する場合、ステアリングコントローラーや TSS HANDBRAKE は、PC の USB 2.0 ポート (USB 3.0 でなく) に直接接続することをお奨めします。

- 一部のゲームでは 2 台の TSS HANDBRAKE デバイスを以下のように同時に使用できます:

- ハンドブレーキモードに設定された TSS HANDBRAKE 1 台と、
- シーケンシャルシフターモードに設定された TSS HANDBRAKE 1 台。

## PS4™ および XBOX ONE® への取り付け

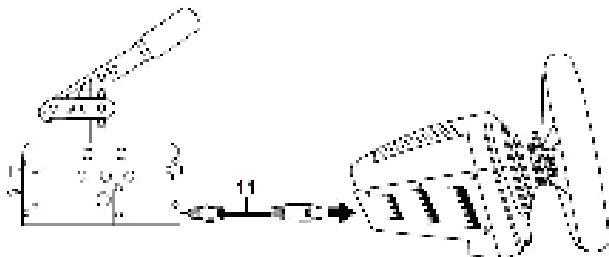
PS4™ と Xbox One® では、TSS HANDBRAKE は以下のステアリングコントローラーのベース部と互換性があります：

- Thrustmaster T-GT および T300 (PS4™)
- Thrustmaster TS-XW Racer および TX (Xbox One®)

**⚠ 重要:** TSS HANDBRAKE が PS4™ と Xbox One® で最適に動作するためには、お使いのステアリングコントローラーのベース部 (T-GT、T300、TS-XW Racer、および TX) のファームウェアをダウンロード (<https://support.thrustmaster.com/>) してインストールする必要があります。

### 取り付け:

1. 脱着式のミニ DIN / DIN ケーブル (11) を使って、TSS HANDBRAKE をステアリングコントローラーのベース部の背面にあるメス ミニ DIN ポートに直接接続します。



2. ステアリングコントローラーをゲーム機本体に接続します。

これでプレイの準備ができました！

### PS4™ および XBOX ONE® に関する一般的な注意事項

– 絶対に、脱着式のオス DIN/USB ケーブル (6) を使って PS4™ または Xbox One® に接続しないでください。TSS HANDBRAKE は必ず、ゲーム機本体ではなく、互換性のある Thrustmaster ステアリングコントローラーのベース部に接続する必要があります。

– TSS HANDBRAKE を、互換性のある Thrustmaster ステアリングコントローラーのベース部に接続した場合：

- シーケンシャルシフター モード [+/-] は、ステアリングコントローラーの UP/DOWN パドルシフターと連動しているため、すべてのゲームで使用できます。
- ハンドブレーキモード [プログレッシブ] は、ハンドブレーキ機能\*に対応しているゲームで動作します。

\* ハンドブレーキと互換性のある PS4™ ゲームと Xbox One® ゲームの一覧は <https://support.thrustmaster.com/>にてご確認いただけます。ステアリングコントローラーのセクションで **TM SIM HUB** または **TSS Handbrake Sparco® Mod** を選択します。

## プラットフォームごとの TSS HANDBRAKE 接続方法

	TSS HANDBRAKE 接続
<b>PC</b> (ハンドブレーキ モードおよびシーケンシャルシフター モード)	PC には、脱着式のオス DIN/USB ケーブル (6) を使って接続します。市販されているすべてのステアリングコントローラーと互換性があります。
<b>PC</b> (シーケンシャルシフター モードのみ)	互換性のある Thrustmaster ステアリングコントローラーのベース部の背面に、脱着式のミニ DIN / DIN ケーブル (11) を使って接続します。
<b>PS4™</b> (ハンドブレーキ モードおよびシーケンシャルシフター モード)	互換性のある Thrustmaster ステアリングコントローラーのベース部の背面に、脱着式のミニ DIN / DIN ケーブル (11) を使って接続します。
<b>XBOX ONE®</b> (ハンドブレーキ モードおよびシーケンシャルシフター モード)	互換性のある Thrustmaster ステアリングコントローラーのベース部の背面に、脱着式のミニ DIN / DIN ケーブル (11) を使って接続します。

## TSS ハンドブレーキのファームウェア更新

TSS HANDBRAKE のベース部に搭載されているファームウェアは、製品機能の改良・強化が図られた最新ファームウェアにアップデートすることが可能です。

TSS HANDBRAKE のファームウェアバージョンを表示し、必要に応じてアップデートするには:PC で <https://support.thrustmaster.com> にアクセスし、[ステアリングホイール] - [TS-XW RACER] をクリックし、[ファームウェア] を選択してファームウェアのダウンロードおよびセットアップ手順にしたがってください。

## 高度なキャリブレーション ソフトウェア

TSS HANDBRAKE のキャリブレーションは自動で行われます。

PC 用の高度なキャリブレーションソフトウェアも、<https://support.thrustmaster.com> にアクセスして「ステアリングホイール」-「TSS HANDBRAKE」-「ソフトウェア」を選択することで入手可能です。このソフトウェアでは、以下を調整することができます：

- HANDBRAKE モードにおけるアナログ移動量。
- シーケンシャルシフターモードにおけるアナログ移動量。

変更した設定は、TSS HANDBRAKE の内蔵メモリに直ちに保存されるため、PC、PS4™、および Xbox One® のすべてのゲームですぐに利用できます。

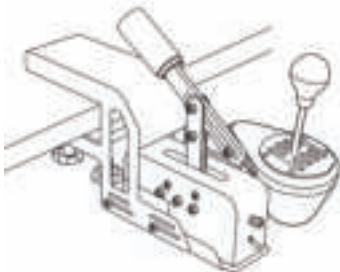
## お役立ち情報とヒント (本マニュアルには記載されていません)

弊社ウェブサイト <https://support.thrustmaster.com> から、色々なヒントやお役立ち情報を入手できます。「ステアリングコントローラー」-「TSS HANDBRAKE」を選択してください。

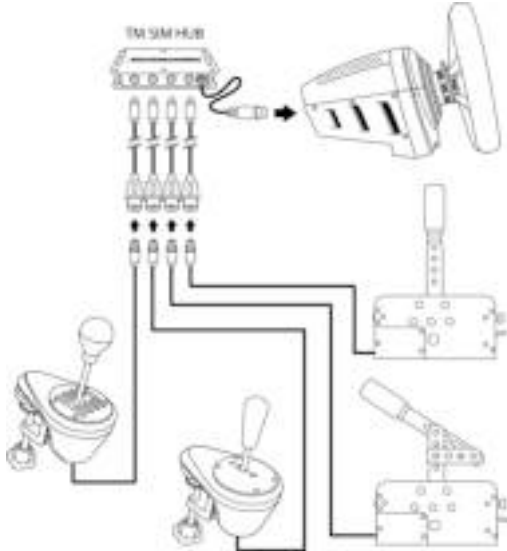
## エコシステム

TSS HANDBRAKE は、以下の別売アクセサリとも互換性があります：

\***TM RACING CLAMP:** TSS Handbrake および TH8A シフターを、コックピットなしでテーブルや机に直接マウントできる頑丈なサポートブラケット。



\***TM SIM HUB:** 互換性のある Thrustmaster ステアリングコントローラーのベース部の背面にある、ミニ DIN コネクターに最大 4 台のアクセサリを同時に接続できるハブ。



## 著作権

©2019 Guillemot Corporation S.A. All rights reserved. Thrustmaster® は、Guillemot Corporation S.A. の登録商標です。PlayStation® は、ソニー・インタラクティブエンタテインメントの登録商標です。Windows® は、米国およびその他の国における、Microsoft Corporation の登録商標です。Sparco は Sparco S.p.A. の登録商標です。

All rights reserved. その他、本書に記載の登録商標およびブランド名は、それぞれの所有者に帰属します。本書に含まれるイラストには法的拘束力はありません。本書に含まれる内容、設計および仕様は、事前の通告なしに変更される場合があります、また、各国で異なる場合があります。

### 環境保護推奨

国内の電気電子機器のリサイクル法を遵守してください。

リサイクルのための廃機器の収集地点や廃棄方法についての詳細は、お住まいの地域の自治体までお問い合わせください。

この情報は大切に保管してください。色や形状は実際の製品と異なる場合があります。本製品をご使用になる前に、プラスチック留め具や粘着テープなどはすべて取り除いてください。

[www.thrustmaster.com](http://www.thrustmaster.com)

Made in China.

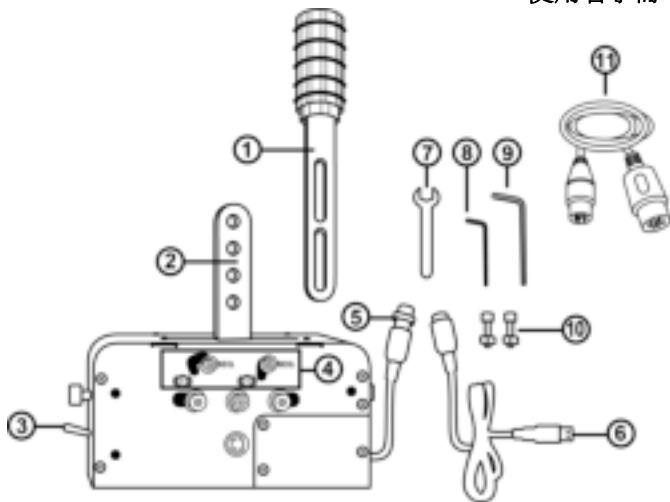


# TSS HANDBRAKE+

## sparco® Mod

PC – PS4™ – Xbox One®

使用者手冊



### 技術規格

- |                                |                              |
|--------------------------------|------------------------------|
| 1 可拆卸式槓桿（預設情況下未安裝）             | 6 可拆卸的 DIN/USB 公連接器纜線        |
| 2 槓桿連接臂                        | 7 13 mm 扳手                   |
| 3 手剎/序列式變速器選擇開關                | 8 3 毫米內六角扳手                  |
| 4 機械切換系統（用於在手剎和序列式變速器模式之間進行切換） | 9 6 毫米內六角扳手                  |
| 5 DIN 纜線和底座上的母連接器              | 10 2 個 BTR M8 螺絲 + 2 個 M8 螺母 |
|                                | 11 可拆卸式 mini-DIN / DIN 纜線    |

### 警告

使用本產品之前，請務必仔細通讀本手冊。請妥善保留本手冊，以供日後參考。





### **警告 - 觸電**

- \* 請將本產品置於乾燥的地方，切勿將其暴露在灰塵或陽光中。
- \* 按照插入方向插入連接器。
- \* 切勿扭曲或拉扯連接器和纜線。
- \* 切勿讓液體濺到本產品或其連接器上。
- \* 切勿造成本產品短路。
- \* 切勿拆解本產品（本手冊所述的可能調節除外），切勿燃燒本產品，亦勿將其暴露在高溫環境中。



### **警告 - 因重複運動造成的傷害**

使用變速器或手剎可能導致肌肉和關節疼痛。為避免出現任何問題：

- \* 避免長時間玩遊戲。
- \* 每玩一小時後休息 10 到 15 分鐘。
- \* 如果手、手腕或手臂有疲勞或疼痛的感覺，應停止玩遊戲，休息幾個小時後再玩。
- \* 如果再玩時仍然存在上述症狀或疼痛感，應立即停止玩遊戲並諮詢醫生。
- \* 確保按照本手冊中提供的操作說明，正確安裝 TSS HANDBRAKE 的底座。



### **警告 - 打開變速盤時可能有夾傷風險**

- \* 切勿讓小孩接觸變速盤。
- \* 玩遊戲時，切勿將手指（或身體的其他部分）置於 TSS HANDBRAKE 變速盤的開口處。

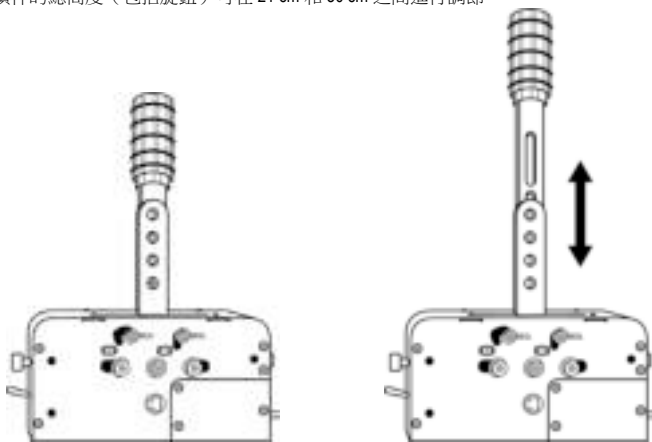
切勿



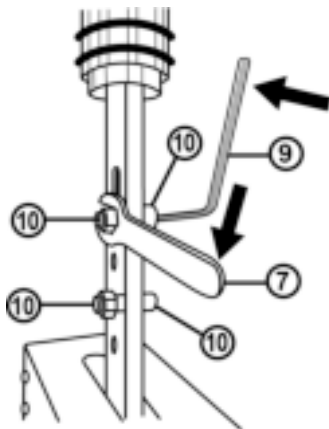
## 將可拆卸式槓桿 (1) 安裝在連接臂上 (2)

1. 在連接臂 (2) 之間滑動可拆卸式槓桿 (1)。
2. 將槓桿調節至所需的高度。

槓桿的總高度（包括旋鈕）可在 21 cm 和 30 cm 之間進行調節。



3. 使用 2 個 BTR M8 螺絲 (10)、2 個 M8 螺母 (10) 和 6 mm 內六角扳手 (9) 將槓桿連接到連接臂。



## 配置手剎模式

預設情況下（拆開裝置包裝時），TSS HANDBRAKE 配置為手剎模式。

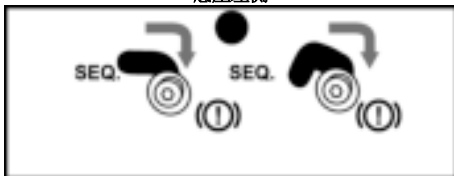
1. 在手剎模式檔位下，手剎/變速器選擇開關 (3) 位於下檔位。

底座正面

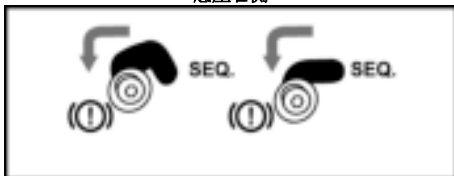


2. 允許您從手剎模式切換到序列式變速器模式 (4) 的機械系統預設為手剎檔位。

底座左側



底座右側



## 配置序列式變速器模式

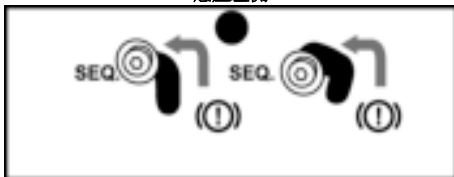
1. 在序列式變速器模式檔位下，升起手剎/變速器選擇開關 (3)。

底座正面

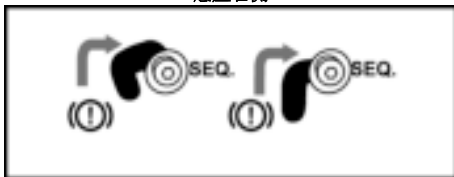


2. 要從手剎模式切換到序列式變速器模式 (4)，請使用 3 mm 內六角扳手 (8) 稍稍擰松機械系統的螺絲（底座左右兩側各 2 個螺絲）。
3. 將這 4 個螺絲（底座兩側各 2 個螺絲）移至 SEQ 檔位。

底座左側



底座右側

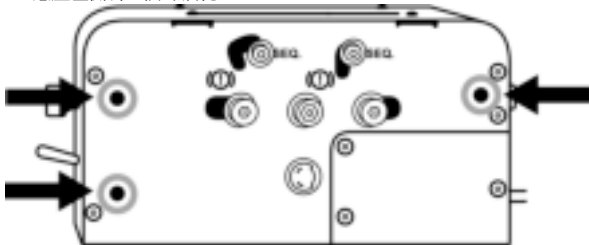


4. 確保這 4 個螺絲（底座兩側各 2 個）完美移位，然後使用 3 mm 內六角扳手 (8) 擰緊這些螺絲。

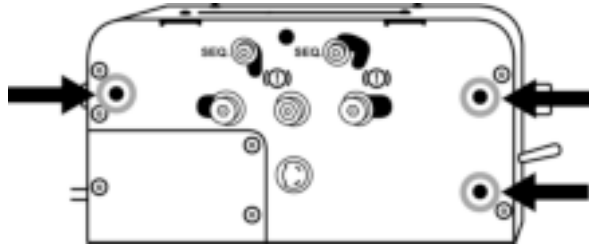
## 安裝 TSS HANDBRAKE

TSS HANDBRAKE 可以透過裝置兩側以及底座下方的 M6 螺紋孔連接到各種相容的支撐件（單獨銷售）上：

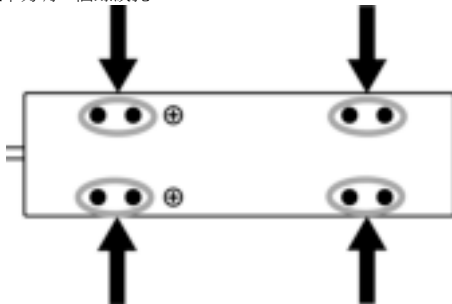
- 底座左側有 3 個螺紋孔。



- 底座右側有 3 個螺紋孔。



- 底座下方有 8 個螺紋孔。



TSS HANDBRAKE 駕駛座安裝範本可從以下網址獲取 <https://support.thrustmaster.com>。選取「方向盤」/「TSS HANDBRAKE」，然後選取 Template - Cockpit Setup。



切勿擰緊或擰松這些螺絲



除機械系統從手剎模式切換至序列式變速器模式 (4) 所使用的螺絲之外，切勿擰緊或擰松 TSS HANDBRAKE 底座上的任何螺絲。

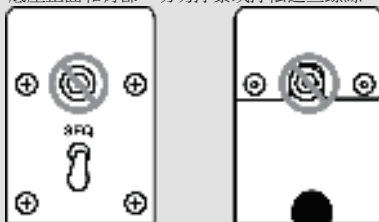
底座左側 = 切勿擰緊或擰松這些螺絲：



底座右側 = 切勿擰緊或擰松這些螺絲：



底座正面和背部 = 切勿擰緊或擰松這些螺絲：



## PC 平台安裝說明

1.請轉到 <https://support.thrustmaster.com> 下載 PC 驅動程式。

選取「方向盤」/ TSS HANDBRAKE，然後選取「驅動程式」。

2.下載完成後，運行安裝程式，然後按照螢幕上顯示的說明操作。

3. 安裝程式提示執行以下操作時，請使用可拆卸 DIN / USB 公接頭纜線 (6) 將 TSS HANDBRAKE 連接到 PC 上的 USB 連接埠之一，然後完成安裝驅動程式。

4.安裝完成後，按一下「完成」並重新啟動電腦。

5.選取「開始」/「所有程式」/ Thrustmaster /「TH8 變速器」/「控制台」，以打開「遊戲控制器」視窗。

「遊戲控制器」視窗將顯示名稱 **TSS HANDBRAKE Sparco® Mod**，並且狀態為「正常」。

6.按一下「屬性」，在 Windows 控制台中檢視 TSS HANDBRAKE：




在 PC 上，使用可拆卸式 DIN / USB 公接頭纜線 (6) 將 TSS HANDBRAKE 連接到某個 USB 連接埠，TSS HANDBRAKE 相容於以下裝置：

- HANDBRAKE 模式 [漸增式] 和序列式變速器模式 [+/-]；
- 在所有支援多 USB 的遊戲中，相容獨立的手剎和變速器；
- 所有市售方向盤。

在 PC 上，當使用可拆卸式 mini-DIN / DIN 纜線 (11) 將 TSS HANDBRAKE 連接到相容 Thrustmaster (圖馬思特) 方向盤底座的背部時，TSS HANDBRAKE 相容於以下裝置：

- 僅序列式變速器模式 [+/-]；
- 在所有遊戲中 (搭配方向盤的向上和向下換檔撥片使用 TSS HANDBRAKE 時)；
- 僅相容的 Thrustmaster (圖馬思特) 方向盤 (TS-PC Racer、T-GT、T300、TS-XW Racer 和 TX)。

 **重要提示：** 您必須將方向盤底座 (TS-PC Racer、T-GT、T300、TS-XW Racer 和 TX) 的韌體更新至 <https://support.thrustmaster.com/> 上提供的最新版本，方可將 TSS HANDBRAKE 連接到方向盤底座。

### 針對 PC 的一般注意事項：

- \* 切記：在啟動您的遊戲之前，請務必按一下「確定」，以完全關閉「遊戲控制器」視窗。
- \* TSS HANDBRAKE 的韌體版本將顯示在控制台索引標籤的右上角。
- \* 如果您選取使用 USB 連接，我們建議將方向盤和 TSS 手剎直接連接到 PC 的 USB 2.0 (而不是 USB 3.0) 連接埠上，而不是透過集線器連接。
- \* 部分遊戲允許您同時使用 2 個 TSS HANDBRAKE 裝置：
  - 1 個 TSS HANDBRAKE 配置為手剎模式；
  - 1 個 TSS HANDBRAKE 配置為序列式變速器模式。



## 在 PS4™ 和 XBOX ONE® 上安裝

在 PS4™ 和 Xbox One® 上，TSS HANDBRAKE 相容於以下方向盤底座：

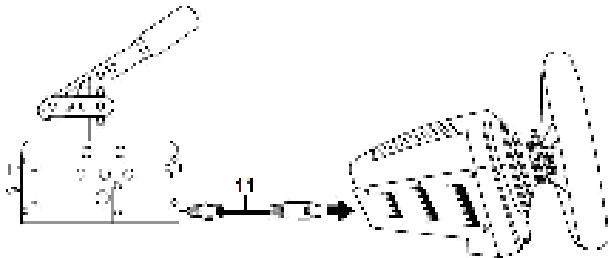
- Thrustmaster (圖馬思特) T-GT 和 T300 (在 PS4™ 上)
- Thrustmaster (圖馬思特) TS-XW Racer 和 TX (在 Xbox One® 上)



**重要提示：**為確保在 PS4™ 和 Xbox One® 上發揮 TSS HANDBRAKE 的最佳效能，您必須將方向盤底座 (T-GT、T300、TS-XW Racer 或 TX) 的韌體更新至 <https://support.thrustmaster.com/> 上提供的最新版本。

### 安裝：

1. 使用可拆卸式 mini-DIN / DIN 纜線 (11)，將 TSS HANDBRAKE 直接連接到方向盤底座背部的 mini-DIN 母接頭。



2. 將賽車方向盤連接到遊戲主機。

現在即可開始玩遊戲了！

### 針對 PS4™ 和 Xbox One® 的一般注意事項：

- 在 PS4™ 和 Xbox One® 上切勿使用和連接可拆卸式 DIN / USB 公接頭纜線 (6)。TSS HANDBRAKE 必須始終連接到相容的 Thrustmaster (圖馬思特) 方向盤底座，而不是連接到遊戲主機上。
- 將 TSS Handbrake 連接到相容的 Thrustmaster (圖馬思特) 方向盤底座時：
  - 在搭配方向盤的向上和向下換檔撥片使用時，序列式變速器模式 [+/-] 在所有遊戲中均可正常運行。
  - 手剎模式 [漸增式] 在支援手剎功能的遊戲中可以正常運行\*。

\* 有關相容手剎功能的 PS4™ 和 Xbox One® 遊戲列表，請瀏覽 <https://support.thrustmaster.com/>。在 **Racing Wheels (方向盤)** 部分，選取 **TM SIM HUB** 或 **TSS Handbrake Sparco® Mod**。

## 基於所使用平台的 TSS HANDBRAKE 連接方法匯總

TSS HANDBRAKE 連接	
<b>PC</b> (手剎模式和序列式變速器模式)	使用可拆卸式 DIN / USB 公接頭纜線 (6)。相容所有市售方向盤。
<b>PC</b> (僅支援序列式變速器模式)	在相容的 Thrustmaster (圖馬思特) 方向盤底座的背部, 使用可拆卸式 mini-DIN / DIN 纜線 (11)。
<b>PS4™</b> (手剎模式和序列式變速器模式)	在相容的 Thrustmaster (圖馬思特) 方向盤底座的背部, 使用可拆卸式 mini-DIN / DIN 纜線 (11)。
<b>XBOX ONE®</b> (手剎模式和序列式變速器模式)	在相容的 Thrustmaster (圖馬思特) 方向盤底座的背部, 使用可拆卸式 mini-DIN / DIN 纜線 (11)。

## 更新 TSS HANDBRAKE 的韌體

TSS HANDBRAKE 底座中包含的韌體可以進行更新 (意味著可以升級到提供產品增強功能的最新版本)。

要顯示 TSS HANDBRAKE 的韌體版本並在需要時更新韌體, 請在 PC 上轉到 <https://support.thrustmaster.com>, 選取 **方向盤/TSS HANDBRAKE**, 然後選取 **韌體** 並按照螢幕說明以及下載和安裝程式操作。

## 高級校準軟體

TSS HANDBRAKE 的校準程式是自動的。

在 <https://support.thrustmaster.com> 上還可以下載適用於 PC 平台的一款高級校準軟體應用程式：請選取「方向盤」/「TSS HANDBRAKE」，然後選取「軟體」。此軟體允許您調節以下設定：

- 手剎模式下的類比行程；
- 序列式變速器模式下的類比行程。

設定調整完畢後，系統會立即將設定儲存到 TSS HANDBRAKE 的內部記憶體中，因此，將在您所有的遊戲中（無論是在 PC 上，還是在 PS4™ 或 Xbox One® 上）生效。

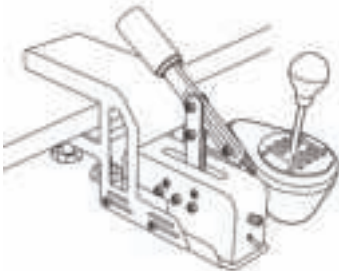
### 技巧和提示（本手冊中未含）

從 <https://support.thrustmaster.com> 網站可以獲取各種技巧和提示；請選取「方向盤」/「TSS HANDBRAKE」。

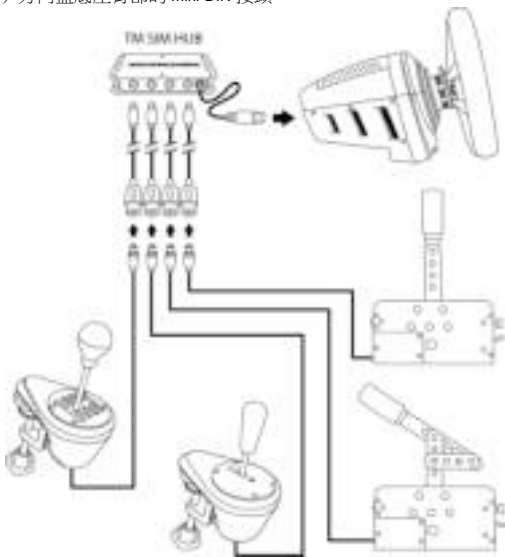
## 生態系統

TSS HANDBRAKE 也相容其他單獨銷售的附件：

\* **TM RACING CLAMP**：一個穩固的支架，讓玩家可以將其 TSS Handbrake 和 TH8A 變速器直接可靠地固定在檯面或桌面上，而無需使用駕駛座。



\* **TM SIM HUB**：一種集線器，允許您至多同時將四個附件直接連接到相容的 Thrustmaster（圖馬思特）方向盤底座背部的 mini-DIN 接頭。



版權所有

© 2019 Guillemot Corporation S.A. 保留所有權利。圖馬思特® 為 Guillemot Corporation S.A 的註冊商標。PlayStation®為 Sony Interactive Entertainment Inc 的註冊商標。Windows®為 Microsoft Corporation 的註冊商標。Sparco 是 Sparco S.p.A 的註冊商標。其他商標或註冊商標均為其個別擁有者的財產。圖片並不受約束。產品內容、設計和規格如有變更，恕不另行通知，並可能會視乎國家而不同。中國製造。

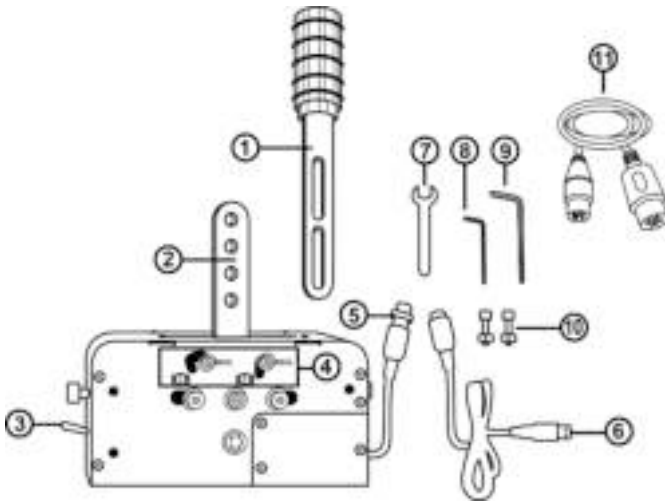


# TSS HANDBRAKE+

## sparco® Mod

PC – PS4™ – Xbox One®

사용설명서



### 기술 사양

- |                                                                                                                                                                       |                                                                                                                                                                                                                                         |
|-----------------------------------------------------------------------------------------------------------------------------------------------------------------------|-----------------------------------------------------------------------------------------------------------------------------------------------------------------------------------------------------------------------------------------|
| <ul style="list-style-type: none"> <li>1 탈착식 레버 (미설치 상태)</li> <li>2 레버 부착 압</li> <li>3 핸드브레이크/시퀀셜 시프터 셀렉터</li> <li>4 기계식 전환 시스템 (핸드브레이크와 시퀀셜 시프터 모드 간 토글링)</li> </ul> | <ul style="list-style-type: none"> <li>5 DIN 케이블 및 베이스 암커넥터</li> <li>6 탈착식 수 DIN/USB 케이블</li> <li>7 13mm 렌치 키</li> <li>8 3mm 앨런 키</li> <li>9 6mm 앨런 키</li> <li>10 BTR M8 나사 2 개 + M8 너트 2 개</li> <li>11 탈착식 미니 DIN / DIN 케이블</li> </ul> |
|-----------------------------------------------------------------------------------------------------------------------------------------------------------------------|-----------------------------------------------------------------------------------------------------------------------------------------------------------------------------------------------------------------------------------------|

### 경고

사용설명서를 주의 깊게 읽은 후 본 제품을 사용하기 바랍니다. 나중에 참조할 수 있도록 이 설명서를 잘 보관하십시오.



### **경고 - 감전**

- \* 본 제품은 건조한 장소에 보관해야 하며, 먼지나 태양광선에 노출시키지 마십시오.
- \* 올바른 방향으로 커넥터에 삽입하십시오.
- \* 커넥터 및 케이블을 비틀거나 잡아 당기지 마십시오.
- \* 본 제품이나 제품의 커넥터에 액체를 흘리지 마십시오.
- \* 제품을 단락(합선)시키지 마십시오.
- \* 본 제품을 분해하거나(본 설명서에서 기술하는 조절 가능한 사항 제외), 제품을 불에 태우거나, 또는 제품을 고온에 노출시키지 마십시오.



### **주의 - 반복적인 움직임으로 인한 부상**

시프터 또는 핸드브레이크 사용 시 근육 및 관절 통증을 야기할 수 있습니다. 이러한 문제를 예방하려면 다음 사항을 준수하십시오.

- \* 장시간 게임하지 마십시오.
- \* 게임 중 한 시간당 10 ~ 15분 정도 휴식을 취하십시오.
- \* 손, 손목 또는 팔에 피로감이나 통증이 느껴지는 경우에는 게임을 중단한 후 두 세 시간 정도 휴식을 취한 다음, 다시 게임을 진행하십시오.
- \* 게임을 다시 시작할 때 위에 설명한 증상이나 통증이 계속되는 경우에는 게임을 중단한 후 의사와 상담하십시오.
- \* 본 매뉴얼의 지시사항에 따라 TSS HANDBRAKE가 제자리에 장착되었는지 확인하십시오.



### **경고 - 시프트 플레이트 구멍 끼임 사고 위험**

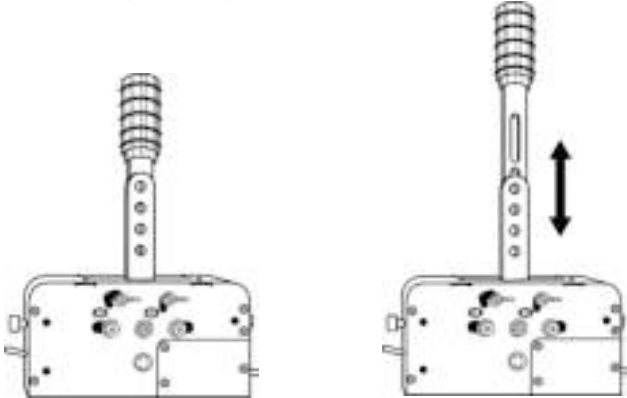
- \* 어린이의 손이 닿지 않는 곳에 보관하십시오.
- \* 게임 중에는 TSS HANDBRAKE의 시프트 플레이트에 있는 구멍에 절대로 손가락 (또는 기타 다른 신체 일부)을 넣지 마십시오.

## 절대 금지

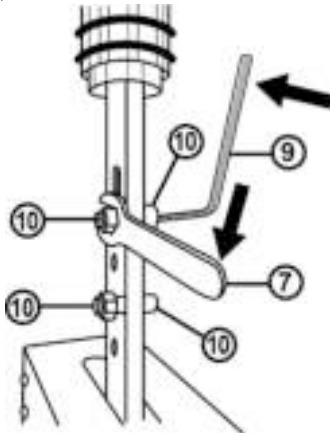


## 탈착식 레버(1)를 부착 암(2)에 설치하기

1. 탈착식 레버(1)를 부착 암(2) 사이로 밀어 넣습니다.
2. 원하는 높이로 레버를 조절하십시오.  
레버의 총 높이는 (손잡이 포함) 21cm ~ 30cm 사이로 조절할 수 있습니다.



3. BTR M8 나사 2 개(10)와 M8 너트(10) 2 개 및 6mm 엘런 렌치(9)로 레버를 부착 암에 부착시킵니다.





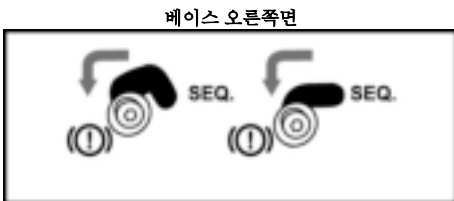
## 핸드브레이크 모드 설정하기

(기기를 상자에서 꺼낼 때) TSS HANDBRAKE는 핸드브레이크 모드로 기본 설정되어 있습니다.

1. 핸드브레이크/시프터 셀렉터(3)가 핸드브레이크 모드 위치로 내려가 있습니다.



2. 핸드브레이크 모드에서 시퀀셜 시프터 모드(4)로 토글할 수 있는 기계식 시스템은 핸드브레이크 위치로 미리 맞춰져 있습니다.



## 시퀀셜 시프터 모드 설정하기

1. 핸드브레이크/시프터 셀렉터(3)를 시퀀셜 시프터 모드 위치로 올리십시오.

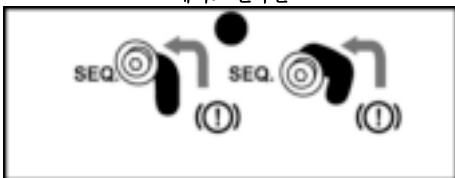
베이스 앞면



2. 핸드브레이크 모드에서 시퀀셜 시프터 모드(4)로 토글하기 위해서는 3mm 앨런 렌치(8)로 기계식 시스템의 나사를 살짝 조절하십시오(베이스 양 측면에 위치한 나사 2 개씩).

3. 이 나사 4 개(베이스 양 측면에 위치한 나사 2 개씩)를 SEQ 위치로 이동시킵니다.

베이스 왼쪽면



베이스 오른쪽면

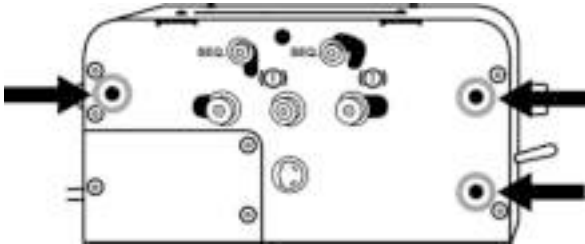
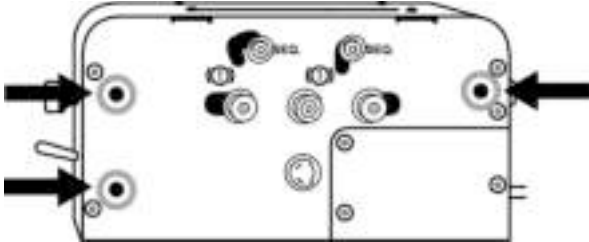


4. 이 나사 4 개(베이스 양 측면에 위치한 나사 2 개씩)가 제대로 자리를 잡았는지 확인한 다음, 3mm 앨런 렌치(8)로 다시 조여줍니다.

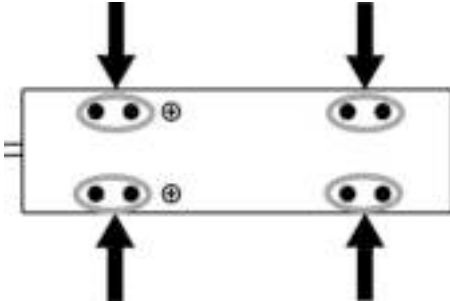
## TSS HANDBRAKE 설치하기

TSS HANDBRAKE는 기기의 양 측면과 베이스 밑에 위치한 M6 나사형 구멍을 이용해 여러 가지 호환 가능한 지지대 (별도 판매) 에 부착시킬 수 있습니다.

- 나사형 구멍 3개가 베이스 양 측면에 위치합니다.



- 나사형 구멍 8개가 베이스 아래에 위치합니다.



TSS HANDBRAKE 조종석 설치 템플릿은 다음 웹사이트에서 보실 수 있습니다  
<https://support.thrustmaster.com>. 레이싱 핸들/TSS HANDBRAKE 를 선택한 후,  
Template - Cockpit Setup 을 선택하십시오.



## 다음 나사는 풀거나 조이지 마십시오.

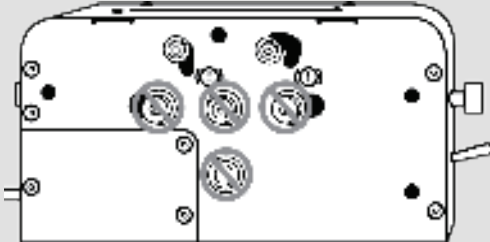


핸드브레이크 모드에서 시퀀셜 시프터 모드(4)로 토글하는 데 사용되는 기계식 시스템 관련 나사 외에는 TSS HANDBRAKE 베이스에 있는 그 어떠한 나사도 풀거나 조이지 마십시오.

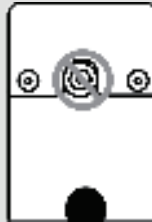
베이스 왼쪽면 = 다음 나사를 풀거나 조이지 마십시오.



베이스 오른쪽면 = 다음 나사를 풀거나 조이지 마십시오.



베이스 앞면과 뒷면 = 다음 나사를 풀거나 조이지 마십시오.



## PC 용 설치 지침

1. 웹사이트 <https://support.thrustmaster.com> 에서 PC 드라이버를 다운로드하십시오.
2. 레이싱 핸들/TSS HANDBRAKE 를 선택한 후, 드라이버를 선택합니다.
3. 다운로드가 끝나면 설치 프로그램을 실행한 후 화면에 표시된 지시사항을 따르십시오.
3. 설치 프로그램의 메시지가 나타나면 탈착식 수 DIN / USB 케이블 (6)로 PC USB 포트에 TSS HANDBRAKE 를 연결하고 드라이버 설치를 끝냅니다.
4. 설치가 끝나면 Finish(종료)를 클릭하고 컴퓨터를 다시 시작합니다.
5. 시작/모든 프로그램/Thrustmaster/TH8 시프터/제어판을 선택해서 게임 컨트롤러 창을 여십시오.
6. 게임 컨트롤러 창이 OK 상태 창과 함께 TSS HANDBRAKE Sparco® Mod 이름을 표시합니다.
7. Windows 제어판에서 속성을 클릭하면 TSS HANDBRAKE 를 볼 수 있습니다.




**PC 에서 탈착식 수 DIN / USB 케이블(6)로 USB 포트에 TSS HANDBRAKE 를 연결하는 경우, TSS HANDBRAKE 는 다음과 같이 호환됩니다.**

- 핸드브레이크 모드[접진적] 및 시퀀셜 시프터 모드[+/-]
- 멀티 USB, 별도의 핸드브레이크 및 시프터를 지원하는 모든 게임
- 시중에 판매 중인 모든 레이싱 핸들.

**PC 에서 탈착식 미니 DIN / DIN 케이블(11)로 호환되는 Thrustmaster 레이싱 핸들 베이스의 뒷면에 TSS HANDBRAKE 를 연결하는 경우, TSS HANDBRAKE 는 다음과 같이 호환됩니다.**

- 시퀀셜 시프터 모드[+/-] 단독
- 모든 게임(TSS HANDBRAKE 가 레이싱 핸들의 UP 및 DOWN 패들 시프터와 결합)
- 호환되는 Thrustmaster 레이싱 핸들 베이스 단독(TS-PC Racer, T-GT, T300, TS-XW Racer 및 TX).

 **중요:** 레이싱 핸들 베이스(TS-PC Racer, T-GT, T300, TS-XW Racer 및 TX)의 펌웨어를 최신 버전으로 업데이트해야 하며, 해당 펌웨어는 <https://support.thrustmaster.com/>에서 다운로드 후 레이싱 핸들 베이스와 TSS HANDBRAKE 를 연결할 수 있습니다.

### **PC 일반 사항:**

- \* 항상 게임을 시작하기 전에는 반드시 OK 버튼을 눌러 게임 컨트롤러 창을 완전히 닫으십시오.
- \* TSS HANDBRAKE 의 펌웨어 버전은 제어판 탭 우측 상단 섹션에 표시되어 있습니다.
- \* USB 연결을 선택하는 경우, 레이싱 핸들과 TSS HANDBRAKE 를 허브를 사용하지 않고 PC 에 있는 (USB 3.0 이 아닌) USB 2.0 포트에 직접 연결할 것을 권장합니다.
- 일부 게임에서는 TSS HANDBRAKE 기기 2 개를 동시에 사용할 수 있습니다.
  - 핸드브레이크 모드에서 설정한 TSS HANDBRAKE 1 개
  - 시퀀셜 시프터 모드에서 설정한 TSS HANDBRAKE 1 개

## PS4™ 및 XBOX ONE® 설치

PS4™ 및 Xbox One® 설치 시, TSS HANDBRAKE 는 다음 레이싱 핸들 베이스와 호환됩니다.

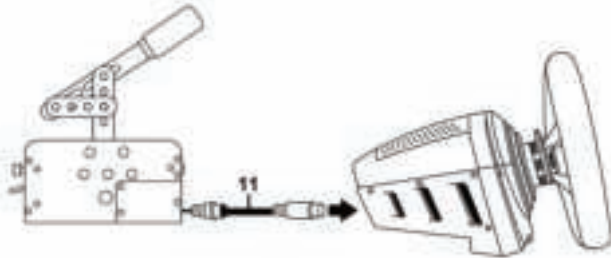
- PS4™의 Thrustmaster T-GT 및 T300
- Xbox One®의 Thrustmaster TS-XW Racer 및 TX



**중요:** PS4™ 및 Xbox One®에서 TSS HANDBRAKE가 최고의 성능을 발휘할 수 있도록 레이싱 핸들 베이스(T-GT, T300, TS-XW Racer 또는 TX)의 펌웨어를 최신 버전으로 업데이트해야 하며, 해당 펌웨어는 <https://support.thrustmaster.com/>에서 다운로드 받으실 수 있습니다.

### 설치:

1. 탈착식 미니 DIN / DIN 케이블(11)로 레이싱 핸들 베이스의 뒷면에 위치한 암 미니 DIN 포트에 TSS HANDBRAKE 를 직접 연결하세요.



2. 레이싱 핸들을 콘솔과 연결하세요.

이제 레이싱 준비가 되었습니다!

### PS4™ 및 Xbox One® 일반 사항:

- PS4™ 및 Xbox One®에서는 절대로 탈착식 수 DIN / USB케이블(6)을 사용 및 연결하지 마십시오. TSS HANDBRAKE는 항상 콘솔이 아닌 호환되는 Thrustmaster 레이싱 핸들 베이스와 연결되어 있어야 합니다.

- TSS HANDBRAKE가 호환되는 Thrustmaster 레이싱 핸들 베이스와 연결되어 있는 경우:

- 시퀀셜 시프터 모드[+/-]는 핸들의 UP 및 DOWN 패들 시프터와 결합되어 있으므로 모든 게임에서 작동합니다.
- 핸드브레이크 모드[점진적]는 핸드브레이크 기능을 지원하는 게임에서 작동합니다\*.

\* **핸드브레이크와 호환 가능한 PS4™ 및 Xbox One® 게임 목록은 <https://support.thrustmaster.com/>에서 확인할 수 있습니다. (Racing Wheels) 레이싱 핸들** 섹션에서 **TM SIM HUB** 또는 **TSS Handbrake Sparco® Mod**를 선택하세요.

### 사용 플랫폼에 따른 TSS HANDBRAKE 연결 요약

<b>TSS HANDBRAKE 연결</b>	
<b>PC</b> (핸드브레이크 모드 및 시퀀셜 시프터 모드)	PC 에서 탈착식 수 DIN / USB 케이블 <b>(6)</b> 사용. 시중에 판매 중인 모든 레이싱 핸들과 호환 가능.
<b>PC</b> (시퀀셜 시프터 모드 단독)	호환되는 Thrustmaster 레이싱 핸들 베이스의 뒷면에 탈착식 미니 DIN / DIN 케이블 <b>(11)</b> 사용.
<b>PS4™</b> (핸드브레이크 모드 및 시퀀셜 시프터 모드)	호환되는 Thrustmaster 레이싱 핸들 베이스의 뒷면에 탈착식 미니 DIN / DIN 케이블 <b>(11)</b> 사용.
<b>XBOX ONE®</b> (핸드브레이크 모드 및 시퀀셜 시프터 모드)	호환되는 Thrustmaster 레이싱 핸들 베이스의 뒷면에 탈착식 미니 DIN / DIN 케이블 <b>(11)</b> 사용.



## TSS HANDBRAKE 펌웨어 업데이트하기

TSS HANDBRAKE 베이스에 포함되어 있는 펌웨어를 업데이트할 수 있습니다 (제품 개선 사항이 반영된 최신 버전으로 업데이트할 수 있습니다).

TSS HANDBRAKE 펌웨어 버전을 표시 및 해당 버전으로 업데이트하기 위해서는 PC의 경우 웹사이트 <https://support.thrustmaster.com>에서 **레이싱 핸들/TSS HANDBRAKE**를 선택한 후, **펌웨어**를 선택하고 지시사항, 다운로드 및 설치 절차를 따르십시오.

## 고급 교정 소프트웨어

TSS HANDBRAKE 교정 절차는 자동으로 이루어집니다.

PC 용 고급 교정 소프트웨어 애플리케이션은 웹사이트 <https://support.thrustmaster.com>에서 이용하실 수 있습니다. 레이싱 핸들/TSS HANDBRAKE 를 선택한 후, 소프트웨어를 선택하십시오. 해당 소프트웨어로 다음 사항을 조정할 수 있습니다.

- 핸드브레이크 모드에서 아날로그 움직임
- 시퀀셜 시프터 모드에서 아날로그 움직임.

설정을 조정하면 그 즉시 TSS HANDBRAKE 의 내부 메모리에 해당 사항이 저장되며 PC, PS4™ 또는 Xbox One®의 모든 게임에 적용됩니다.

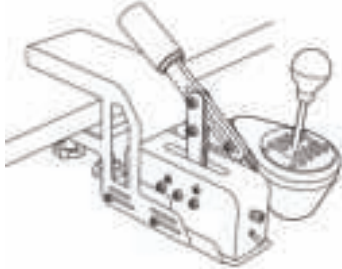
## 팁 & 힌트 (본 매뉴얼에는 미명시)

다양한 팁과 힌트는 웹사이트 <https://support.thrustmaster.com>에서 보실 수 있습니다. 레이싱 핸들/TSS HANDBRAKE 를 선택하십시오.

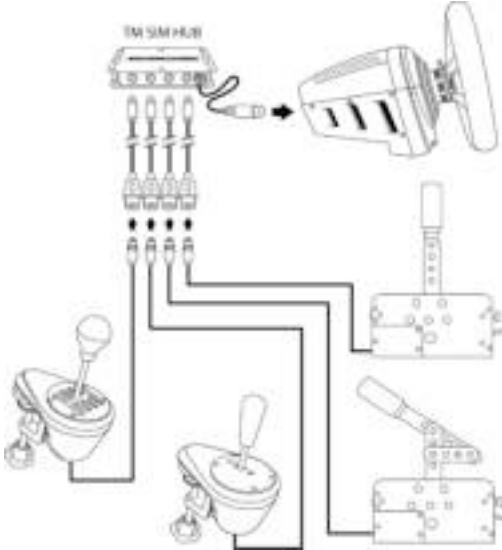
## 에코시스템

TSS HANDBRAKE 는 기타 별도 판매되는 액세서리와도 호환됩니다.

- \* **TM RACING CLAMP:** 게이머가 조종석 없이 TSS Handbrake 및 TH8A 시프터를 테이블 또는 책상에 튼튼하게 장착할 수 있는 견고한 지지 브래킷.



- \* **TM SIM HUB:** 사용자가 호환되는 Thrustmaster 레이싱 핸들 베이스의 뒷면에 위치한 미니 DIN 커넥터와 액세서리를 최대 4 개까지 직접 동시에 연결 가능.



## **COPYRIGHT**

© 2019 Guillemot Corporation S.A. 모든 권리 보유. Thrustmaster®는 Guillemot Corporation S.A.의 등록상표입니다. PlayStation®는 Sony Interactive Entertainment Inc 의 등록상표입니다. Windows®는 Microsoft Corporation 의 등록상표입니다. Sparco 는 Sparco S.p.A.의 등록상표입니다. 다른 모든 상표는 해당 소유자의 자산입니다. 도면은 법적 구속력이 없습니다. 설명서의 내용, 설계 및 사양은 예고 없이 변경될 수 있으며, 나라마다 서로 다를 수 있습니다. 제조국: 중국





## تحذير

قبل استخدام هذا المنتج، تأكد من قراءة هذا الدليل بالكامل وبعناية. احتفظ بهذا الدليل للرجوع إليه في المستقبل.

### تحذير - الصدمة الكهربائية

- \* احتفظ بهذا المنتج في مكان جاف، ولا تعرضه للأتربة أو لضوء الشمس.
- \* التزم باتجاه تركيب الموصلات.
- \* لا تقم بثنى الموصلات والكبلات أو شدّها.
- \* لا تسكب السوائل على المنتج أو على موصله.
- \* لا تصنع دائرة قصر في هذا المنتج.
- \* لا تقم بفك هذا المنتج (باستثناء التعديلات الممكن إجراءها الموصوفة في هذا الدليل)، لا تحاول حرق المنتج أو تعريضه لدرجة حرارة عالية.

### تحذير - الإصابة بسبب الحركات التكرارية

- قد ينتج عن استخدام ذراع التبديل أو الفرامل اليدوية الألام في العضلات والمفاصل. وتجنب أي مشكلات:
- \* تجنب اللعب لفترة طويلة من الوقت.
- \* خذ استراحة لمدة 10 إلى 15 دقيقة بعد كل ساعة من اللعب.
- \* في حالة شعورك بإرهاق أو ألم في يديك أو معصميك أو ذراعيك، توقّف عن اللعب واسترح لبضع ساعات قبل استئناف اللعب مرة أخرى.
- \* في حالة استمرار الأعراض أو الألام الموصوفة أعلاه عند استئنافك اللعب، أوقف اللعب واستشر طبيبك.
- \* تحقّق من أن قاعدة TSS HANDBRAKE قد تم تركيبها بشكل سليم، كما هو موصوف في التعليمات الموجودة في هذا الدليل.

### تحذير - خطر التعرّض للاحتكاك في فتحات لوحة التحويل

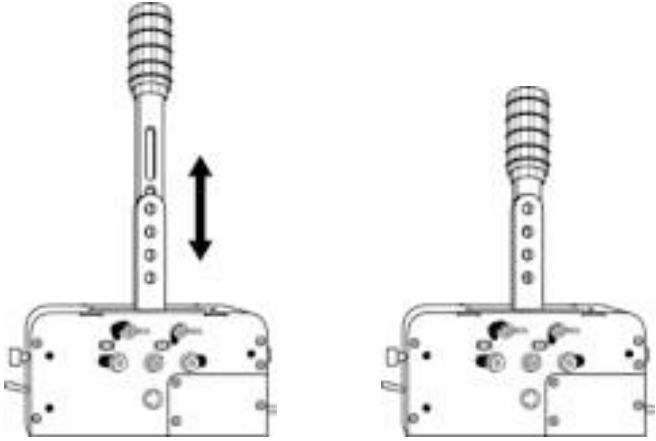
- \* اترك المنتج بعيداً عن متناول الأطفال.
- \* عند ممارسة أي لعبة، لا تضع أصابعك أبداً (أو أي أجزاء أخرى من جسمك) داخل الفتحات الموجودة في لوحات التحويل في TSS HANDBRAKE.

لا تفعل هذا أبداً

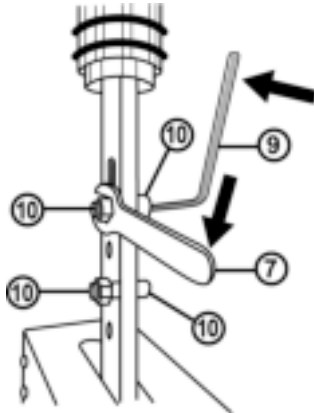


## تركيب الرافعة القابلة للفصل (1) على أذرع التعليق (2)

1. ادفع الرافعة القابلة للفصل (1) بين أذرع التعليق (2).
2. اضبط الرافعة عند الطول المرغوب.  
يُمكن ضبط طول الرافعة الإجمالي (بما في ذلك المقبض) بين 21 سم و30 سم.



3. اربط الرافعة في أذرع التعليق باستخدام برغيين **BTR M8** وصامولتين **M8** ومفتاح ربط ألن 6 مم (9).



## تكوين وضع HANDBRAKE (الفرامل اليدوية)

وفقاً للإعدادات الافتراضية، عند إخراج الجهاز من عبوته لأول مرة، يتم تكوين TSS HANDBRAKE في وضع HANDBRAKE (الفرامل اليدوية).

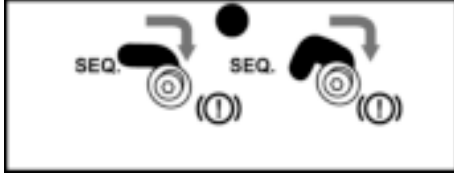
1. تكون أداة اختيار HANDBRAKE (الفرامل اليدوية) / SHIFTER (الناقل) (3) منخفضة في مكان وضع HANDBRAKE (الفرامل اليدوية).

### الجهة الأمامية من القاعدة

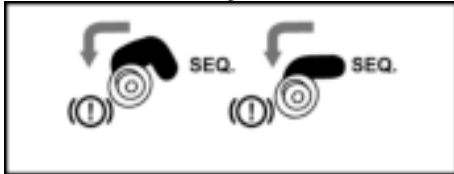


2. يكون النظام الميكانيكي الذي يسمح لك بالتبديل من وضع HANDBRAKE (الفرامل اليدوية) إلى وضع SEQUENTIAL SHIFTER (الناقل المتتابع) (4) مضبوطاً بشكل مسبق في وضع HANDBRAKE (الفرامل اليدوية).

### الجهة اليسرى من القاعدة



### الجهة اليمنى من القاعدة



## تكوين وضع SEQUENTIAL SHIFTER (الناقل المتتابع)

1. ارفع أداة اختيار HANDBRAKE (الفرامل اليدوية) / SHIFTER (الناقل) (3) في موقع وضع SEQUENTIAL SHIFTER (الناقل المتتابع).

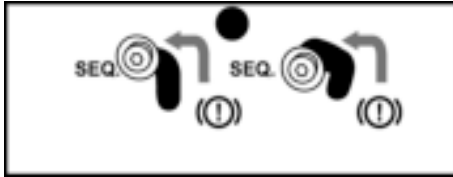
الجهة الأمامية من القاعدة



2. للتبديل من وضع HANDBRAKE (الفرامل اليدوية) إلى وضع SEQUENTIAL SHIFTER (الناقل المتتابع) (4)، استخدم مفتاح ربط ألن 3 مم (8) لفك براغي النظام الميكانيكي قليلاً (برغيان موجودان على كل من جانبي القاعدة).

3. قم بتحريك هذه البراغي الأربعة (برغيان موجودان على كل من جانبي القاعدة) إلى موقع الوضع .SEQ.

الجهة اليسرى من القاعدة



الجهة اليمنى من القاعدة



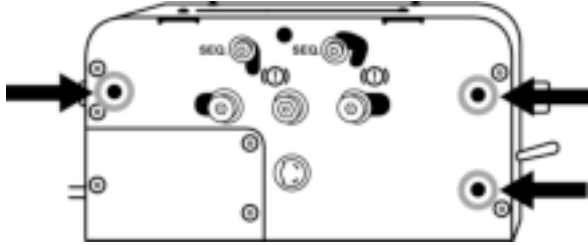
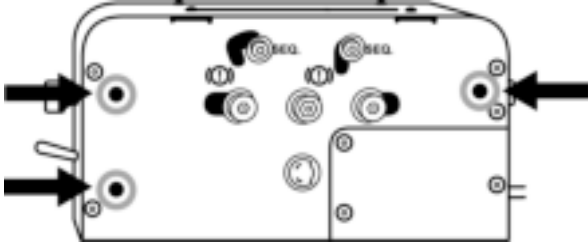
4. تحقق من أنه قد أُعيد وضع هذه البراغي الأربعة (برغيان على كل من جانبي القاعدة) بصورة مثالية، ثم اربطهم بإحكام باستخدام مفتاح ربط ألن 3 مم (8).



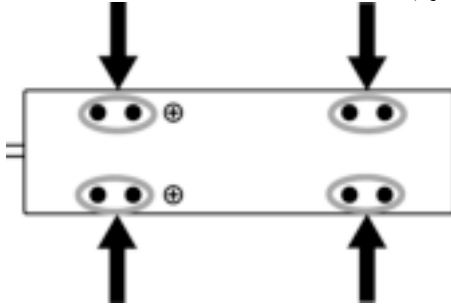
## تركيب TSS HANDBRAKE

يُمكن ربط TSS HANDBRAKE بمجموعة متنوعة من الدعامة المتوافقة (شُباع منفردة)، باستخدام الثقوب اللولبية M6 الموجودة على أي من جانبي الجهاز وتحت قاعدته:

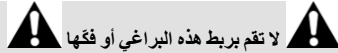
- 3 ثقوب لولبية M6 على أي من جانبي القاعدة.



• 8 ثقوب لولبية M6 أسفل القاعدة.



يُوفّر نموذج تركيب مقصورة TSS HANDBRAKE على <https://support.thrustmaster.com>. حدد Racing Wheels (عجلة السباق) / TSS HANDBRAKE، بعد ذلك Template - Cockpit Setup.



لا تقم بربط هذه البراغى أو فكها

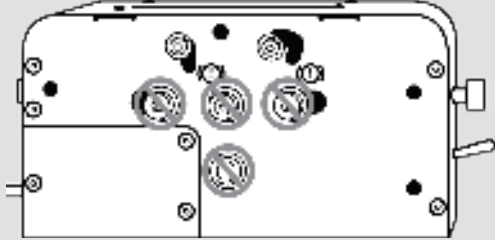


باستثناء البراغى المتعلقة بالنظام الميكانيكى والمستخدمه للتبديل بين وضع HANDBRAKE (الفرامل اليدوية) ووضع SEQUENTIAL SHIFTER (الناقل المتتابع) (4)، لا تقم أبداً بربط أي براغى موجودة على قاعدة TSS HANDBRAKE أو فكها.

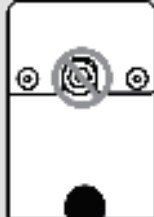
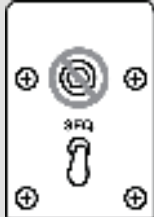
الجانب الأيسر من القاعدة = لا تقم أبداً بربط هذه البراغى أو فكها:



الجانب الأيمن من القاعدة = لا تقم أبداً بربط هذه البراغى أو فكها:



الجانبان الأمامي والخلفي من القاعدة = لا تقم أبداً بربط هذه البراغى أو فكها:



## تعليمات التثبيت للكمبيوتر الشخصي

1. انتقل إلى <https://support.thrustmaster.com> لتنزيل برامج تشغيل الكمبيوتر الشخصي.  
حدد Racing Wheels (عجلات السباق) / TSS HANDBRAKE (الفرامل اليدوية TSS)، ثم حدد Drivers (برنامج التشغيل).
2. بمجرد انتهاء التنزيل، شغل برنامج التثبيت واتبع التعليمات المعروضة على الشاشة.
3. قم بتوصيل TSS HANDBRAKE بأحد منافذ USB الخاصة بالكمبيوتر باستخدام كابل DIN/ USB الذكر القابل للفصل (6) عند المطالبة بذلك من قبل برنامج التثبيت، وأنه تثبيت برنامج التشغيل.
4. بمجرد انتهاء التثبيت، انقر فوق Finish (إنهاء) وأعد تشغيل الكمبيوتر.
5. حدد Start (ابتداءً) / All Programs (كل البرامج) / Thrustmaster / TH8 Shifter / Control Panel (لوحة التحكم) / Game Controllers (وحدات التحكم في اللعبة).

تعرض نافذة وحدات التحكم في اللعبة الاسم TSS HANDBRAKE Sparco® Mod، مع حالة OK (موافق).

6. انقر فوق Properties (الخصائص) لعرض TSS HANDBRAKE في لوحة تحكم Windows:



على جهاز الكمبيوتر، عند توصيل TSS HANDBRAKE بمنفذ USB باستخدام كابل DIN/ USB ذكر قابل للفصل (6)، سيكون TSS HANDBRAKE متوافقًا:

- مع وضع الفرامل اليدوية [التدريجي] ووضع ذراع التبديل التسلسلي [+/-]؛
- في كافة الألعاب التي تدعم USB المتعدد والفرامل اليدوية المنفصلة وأذرع التبديل؛
- مع كل عجلات السباق التي في السوق.

على الكمبيوتر الشخصي، عند اتصال TSS HANDBRAKE بالجهة الخلفية لقاعدة عجلة السباق ثراستماستر المتوافقة باستخدام كابل DIN الصغير/ DIN القابل للفصل (11)، سيكون TSS HANDBRAKE متوافقًا:

- مع وضع ذراع التبديل التسلسلي [+/-] فقط؛
- في كافة الألعاب (نظرًا لاندماج i TSS HANDBRAKE مع ذراعي تبديل السرعة UP وDOWN)؛
- مع قاعدات عجلات السباق ثراستماستر المتوافقة فقط (TS-PC Racer و T-GT و T300 و TS-XW Racer و TX).

**⚠ هام:** يلزمك تحديث البرنامج الثابت لقاعدة عجلة السباق (TS-PC Racer و T-GT و T300 و TS-XW Racer و TX) بأحدث الإصدارات المتوافرة عبر الموقع <https://support.thrustmaster.com> حتى تتمكن من توصيل TSS HANDBRAKE بقاعدة عجلة السباق.

#### ملاحظات عامة حول الكمبيوتر الشخصي:

- \* تذكر دائمًا إغلاق نافذة Game Controllers (وحدات التحكم في اللعبة) بالكامل من خلال النقر فوق OK (موافق) قبل بدء تشغيل لعبتك.
- \* يتم عرض نسخة البرامج الثابتة لـ TSS HANDBRAKE في الجزء العلوي الأيمن من علامات تبويب Control Panel (لوحة التحكم).
- \* إذا اخترت استخدام اتصال USB، فإننا نوصي بتوصيل عجلة السباق الخاصة بك و TSS HANDBRAKE مباشرةً بمنفذ USB 2.0 (وليس USB 3.0) على الكمبيوتر الشخصي دون استخدام موزع.

\* تسمح لك بعض الألعاب باستخدام جهاز TSS HANDBRAKE في وقت واحد:

- جهاز TSS HANDBRAKE تم تكوينه في وضع HANDBRAKE (الفرامل اليدوية)؛
- جهاز TSS HANDBRAKE في وضع SEQUENTIAL SHIFTER (الناقل المتتابع).

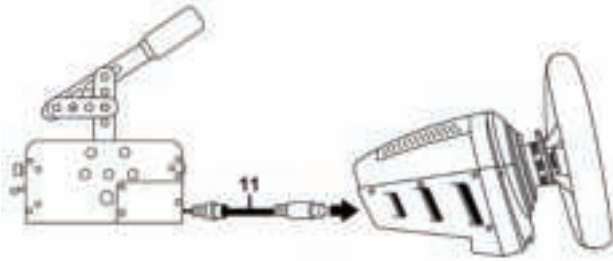
## التثبيت على PS4™ و XBOX ONE®

- على PS4™ و Xbox One®, تتوافق TSS HANDBRAKE مع قواعد عجلات السباق الآتية:
- ثراستماستر T-GT و T300 على PS4™
  - ثراستماستر TS-XW Racer و TX على Xbox One®

**⚠ هام:** حتى تضمن الأداء المثالي للفرامل TSS HANDBRAKE على PS4™ و Xbox One®, يلزمك تحديث البرنامج الثابت لقاعدة عجلة السباق (T-GT أو T300 أو TS-XW Racer أو TX) بأحدث الإصدارات المتوفرة عبر الموقع [.https://support.thrustmaster.com](https://support.thrustmaster.com)

### التثبيت:

1. استخدم كابل DIN الصغير / DIN القابل للفصل (11) ووصل TSS HANDBRAKE مباشرة بمنفذ DIN الصغير الأثني الموجود في الجهة الخلفية لقاعدة عجلة السباق لديك.



2. وصل عجلة السباق بالوحدة.

أنت الآن مستعد للعب!

### ملاحظات عامة حول PS4™ و XBOX ONE®:

- تجنّب استخدام كابل DIN / USB الذكر القابل للفصل (6) على PS4™ و Xbox One®, يلزم دائماً توصيل TSS HANDBRAKE بقاعدة عجلة سباق ثراستماستر متوافقة وليس بوحدة التحكم.

- عند توصيل TSS HANDBRAKE بقاعدة عجلة سباق ثراستماستر متوافقة::

- يعمل وضع ذراع التبديل التسلسلي [+/-] في كافة الألعاب، حيث يتحد مع ذراعي تبديل السرعة UP وDOWN.

- يعمل وضع الفرامل اليدوية [التدريجي] في الألعاب التي تدعم وظيفة الفرامل اليدوية.\*  
\* تتوافر قائمة بالألعاب PS4™ و Xbox One® المتوافقة مع الفرامل اليدوية عبر [.https://support.thrustmaster.com](https://support.thrustmaster.com) من قسم **Racing Wheels (عجلات السباق)**، حدد **TM SIM HUB** أو **TSS Handbrake Sparco® Mod**

اتصال TSS HANDBRAKE	
بالكمبيوتر الشخصي، باستخدام كابل DIN / USB الذكر القابل للفصل (6). متوافق مع كل عجلات السباق التي في السوق.	الكمبيوتر وضع الفرامل اليدوية ووضع ذراع التبديل التسلسلي)
بالجهة الخلفية من قاعدة عجلة السباق ثراستماستر المتوافقة، باستخدام كابل DIN صغير / DIN قابل للفصل (11).	الكمبيوتر (وضع ذراع التبديل التسلسلي فقط)
بالجهة الخلفية من قاعدة عجلة السباق ثراستماستر المتوافقة، باستخدام كابل DIN صغير / DIN قابل للفصل (11).	PS4™ وضع الفرامل اليدوية ووضع ذراع التبديل التسلسلي)
بالجهة الخلفية من قاعدة عجلة السباق ثراستماستر المتوافقة، باستخدام كابل DIN صغير / DIN قابل للفصل (11).	XBOX ONE® وضع الفرامل اليدوية ووضع ذراع التبديل التسلسلي)

تحديث البرامج الثابتة في TSS HANDBRAKE  
يُمكن تحديث البرامج الثابتة المضمنة في قاعدة TSS HANDBRAKE (مما يعني أنه يُمكن ترقيةها إلى نسخة أحدث تمتاز بتحسينات المنتج).  
لعرض نسخة البرامج الثابتة لـ TSS HANDBRAKE وتحديثها، إذا لزم ذلك: على الكمبيوتر الشخصي، انتقل إلى <https://support.thrustmaster.com>، حدد **Racing wheels (عجلات السباق) / TSS HANDBRAKE**، ثم حدد **Firmware (البرامج الثابتة)** واتبع التعليمات وإجراءات التنزيل والتنصيب.

## برنامج المعايرة المتقدم

يتم إجراء المعايرة في TSS HANDBRAKE تلقائيًا.

كما يتوفر تطبيق برمجي متقدم للمعايرة للكمبيوتر الشخصي على الموقع <https://support.thrustmaster.com>: حدد Racing Wheels (عجلات السباق) / TSS HANDBRAKE، ثم Software (البرامج). يسمح لك هذا البرنامج بتعديل ما يلي:

- الانتقال التناظري في وضع HANDBRAKE (الفرامل اليدوية)؛
- الانتقال التناظري في وضع SEQUENTIAL SHIFTER (الناقل المتتابع).

بمجرد ضبط الإعدادات، سيتم حفظها في الحال في الذاكرة الداخلية لـ TSS HANDBRAKE ومن ثم ستفعل في كافة الألعاب سواء أكانت على الكمبيوتر الشخصي أم T.MPS4 Xbox One.

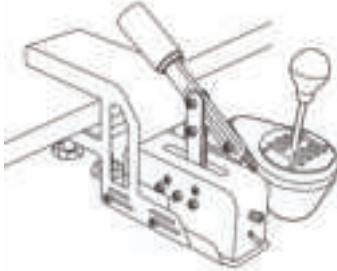
يتم حفظ أي إعدادات معدلة على الفور في البطاقة الداخلية لـ TSS HANDBRAKE.

نصائح وتلميحات (غير مذكورة في هذا الدليل)

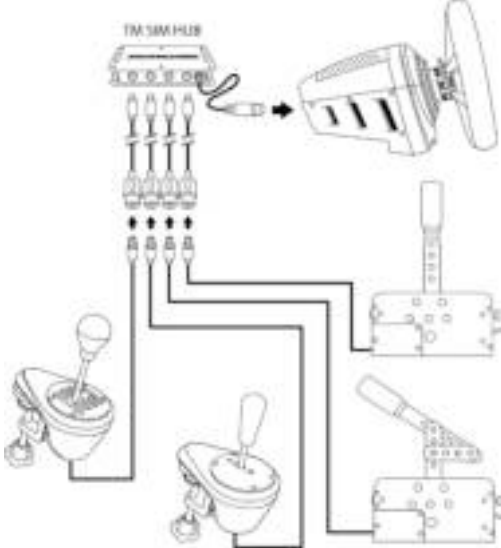
تتوفر نصائح وتلميحات مختلفة على الموقع <https://support.thrustmaster.com> ؛ حدد Racing Wheels (عجلات السباق) / TSS HANDBRAKE.

يتوافق TSS HANDBRAKE مع ملحقات أخرى تُباع بشكل منفصل:

\* **TM RACING CLAMP**: كتيفة دعم قوية تسمح للاعبين بتثبيت أمن لكل من TSS Handbrake وذراع التبديل TH8A مباشرة على الطاولة أو المكتب، دون الحاجة إلى مقصورة.



\* **TM SIM HUB**: موزع يسمح للمستخدمين بتوصيل ما يصل إلى أربع ملحقات بشكل متزامن مباشرة بموصل DIN الصغير الموجود في الجهة الخلفية لقواعد عجلات التوجيه ثراستماستر المتوافقة.





## معلومات ضمان المستهلك

تضمن شركة Guillemot Corporation S.A، العالمية (المشار إليها فيما بعد باسم "Guillemot") ومقرها الرئيسي في Place du Granier, B.P. 97143, 35571 Chantepie, France، للمستهلك أن يكون منتج Thrustmaster هذا خاليًا من عيوب المواد وعيوب التصنيع، طوال مدة فترة الضمان التي تتوافق مع الفترة المحددة التي يمكن خلالها المطالبة بالمطابقة لاسترداد قيمة هذا المنتج أو استبداله. في دول الاتحاد الأوروبي، يسري هذا لمدة (2) عامين من تاريخ استلام المنتج Thrustmaster. وفي دول أخرى، تتوافق فترة الضمان مع الفترة المحددة للمطالبة بمطابقة المنتج Thrustmaster وفقًا للقوانين المعمول بها في الدولة التي كان يقطن بها المستهلك عند تاريخ شراء المنتج Thrustmaster (في حالة عدم المطالبة في الدولة المعنية، ستكون فترة الضمان عام (1) واحد من تاريخ الشراء الأصلي للمنتج Thrustmaster). وإذا ظهر أن المنتج معيّنًا خلال فترة الضمان، فاتصل على الفور بالدعم الفني الذي سيرشدك إلى الإجراءات التي يجب أن تتبناها. وإذا تم التأكد من وجود العيب، فيجب إعادة المنتج إلى مكان شرائه (أو أي موقع آخر يشير إليه الدعم الفني).

وفي سياق هذا الضمان، يجب استبدال المنتج المعيب الخاص بالمستهلك أو إصلاحه، وذلك حسب اختيار الدعم الفني. إذا خضع منتج Thrustmaster، في خلال فترة الضمان، لأي عملية إصلاح، فإن أي فترة يكون المنتج خلالها خارج الخدمة ويحد أدنى سبعة (7) أيام سوف تضاف إلى فترة الضمان المتبقية (تبدأ هذه الفترة من تاريخ طلب العميل للتدخل أو من تاريخ تقديم المنتج المذكور للإصلاح، إذا كان تاريخ تقديم المنتج للإصلاح لاحقًا لتاريخ طلب التدخل). تقتصر المسؤولية الكاملة لشركة Guillemot وفروعها (بما في ذلك الأضرار التبعية) على إصلاح المنتج Thrustmaster أو استبداله، وذلك عندما يكون هذا جائزًا بموجب القانون الساري. تخلي شركة Guillemot مسؤوليتها عن أي ضمانات خاصة بالتجارة أو الملاءمة لغرض معين، وذلك عندما يكون هذا جائزًا بموجب القانون الساري.

لا يسري هذا الضمان: (1) إذا تم تعديل المنتج أو فتحه أو تغييره أو إذا تعرض للتلف نتيجةً لاستخدام السيئ أو غير الملائم أو الإهمال أو حادث أو الإهلاك نتيجة الاستعمال العادي، أو أي سبب آخر لا يرتبط بوجود عيب في المواد أو التصنيع (بما في ذلك، على سبيل المثال لا الحصر، تجميع منتج Thrustmaster بواسطة أي عنصر غير مناسب، بما في ذلك على وجه الخصوص وحدات الإمداد بالطاقة أو البطاريات القابلة لإعادة الشحن أو الشواحن أو أي عناصر أخرى لا يتم توحيدها من خلال Guillemot لهذا المنتج)؛ (2) إذا استخدم المنتج لأي غرض آخر بخلاف الاستخدام المنزلي، بما في ذلك الأغراض المهنية أو التجارية (غرف الألعاب أو التدريب أو المسابقات على سبيل المثال)؛ (3) في حالة عدم الالتزام بالتعليمات المقدمة من قبل الدعم الفني؛ (4) على البرامج، حيث تخضع هذه البرامج لضمان محدد؛ (5) على العناصر الاستهلاكية (العناصر التي يتم استهلاكها خلال فترة عمر المنتج: كالبطاريات غير القابلة لإعادة الاستخدام أو سماعات الرأس أو وسادات الأذن الخاصة بسماعة الرأس)؛ (6) الملحقات (كالكابلات والعلب والحافظات والحقائب وأربطة المعصم)؛ (7) إذا تم بيع المنتج في مزاد علني.

هذا الضمان غير قابل للتحويل.

لا يؤثر هذا الضمان على الحقوق القانونية للمستهلك بمقتضى القوانين المطبقة على بيع السلع الاستهلاكية في بلده/بلدها.

## شروط الضمان الأخرى

خلال فترة الضمان، لن توفر Guillemot، من حيث المبدأ، أي قطع غيار، حيث أن الدعم الفني هو الطرف الوحيد المخول بفتح و/أو إصلاح أي منتج من Thrustmaster (باستثناء أي إجراءات إصلاح يطلب الدعم الفني إجراؤها بواسطة العميل، عن طريق تعليمات مكتوبة – على سبيل المثال، نظرًا لبساطة عملة الإصلاح وعدم سربيتها – وتزويد العميل بقطعة (قطع) الغيار المطلوبة، حيثما أمكن ذلك.

لمقتضى المجالات الإبداعية ولحماية أسرار المعرفة الفنية والأسرار التجارية، لن توفر Guillemot، من حيث المبدأ، أي إشعارات للإصلاح أو قطع غيار لأي منتج Thrustmaster انتهت فترة الضمان الخاصة به.

## المسؤولية

تخلي شركة Guillemot Corporation S.A. (المشار إليها فيما بعد باسم "Guillemot") وفروعها مسؤوليتها كاملة عن أي أضرار تنتج عن حالة أو أكثر من الحالات التالية، إذا كان هذا جائزًا بموجب القانون الساري: (1) تعديل المنتج أو فتحه أو تغييره؛ (2) عدم الالتزام بتعليمات المجموعة؛ (3) الاستخدام السيئ أو غير الملائم أو الإهمال أو التعرض لحادث (تصادم، على سبيل المثال)؛ (4) الإهلاك الناتج عن الاستعمال العادي؛ (5) إذا استخدم المنتج لأي غرض آخر بخلاف الاستخدام المنزلي، بما في ذلك الأغراض المهنية أو التجارية (غرف الألعاب أو التدريب أو المسابقات على سبيل المثال). تخلي شركة Guillemot وفروعها كافة مسؤوليتها عن أي أضرار لا ترتبط بعيب في المواد أو التصنيع يتعلّق بالمنتج (متضمنًا، على سبيل المثال لا الحصر، أي أضرار تحدث بشكل مباشر أو غير مباشر بسبب أي برنامج أو عن طريق دمج منتج Thrustmaster مع أي عنصر غير مناسب، بما في ذلك على وجه الخصوص وحدات الإمداد بالطاقة أو البطاريات القابلة لإعادة الشحن أو الشواحن أو أي عناصر أخرى لا يتم توريدها من خلال Guillemot لهذا المنتج)، إذا كان هذا جائزًا بموجب القانون الساري.

حقوق النشر

© 2019 - S.A. Guillemot Corporation S.A. كافة الحقوق محفوظة. العلامة® Thrustmaster هي علامة تجارية مسجلة لشركة Guillemot Corporation S.A.  
و PlayStation® هي علامة تجارية مسجلة لشركة Sony Interactive Entertainment Inc.  
Windows® هي علامة تجارية مسجلة لشركة Microsoft Corporation في الولايات المتحدة و/أو بلدان أخرى.

العلامة Sparco هي علامة تجارية مسجلة لشركة Sparco S.p.A.  
كافة العلامات التجارية الأخرى مملوكة لأصحابها المعنيين. الرسوم التوضيحية غير ملزمة. وتخضع المحتويات والتصميمات والمواصفات للتغيير دون إشعار وقد تختلف من بلد إلى آخر. صنع في الصين.

توصيات الحماية البيئية

في الاتحاد الأوروبي: عند انتهاء صلاحية المنتج، يجب عدم التخلص منه مع النفايات المنزلية العادية، لكن يوضع في نقطة تجميع خاصة بالتخلص من نفايات المعدات الكهربائية والإلكترونية (WEEE).

ويؤكد ذلك الرمز الموجود على المنتج أو دليل المستخدم أو الغلاف.  
يمكن إعادة تدوير المواد، على حسب خصائصها. من خلال إعادة التدوير والأشكال الأخرى لمعالجة نفايات المعدات الكهربائية والإلكترونية، يمكنك المشاركة بفعالية في المساعدة على حماية البيئة.

يرجى الاتصال بالسلطات المحلية لديك للحصول على معلومات حول نقطة التجميع الأقرب إليك.  
بالنسبة لكافة البلدان الأخرى: يرجى الالتزام بقوانين إعادة التدوير المحلية الخاصة بالمعدات الكهربائية والإلكترونية.



احتفظ بهذه المعلومات. قد تختلف الألوان والزرخارف.  
يجب إزالة المواد المثبتة واللاصقة من المنتج قبل استخدامه.

[www.thrustmaster.com](http://www.thrustmaster.com)

\*ينطبق على الاتحاد الأوروبي وتركيا فقط



**THRUSTMASTER®**

الدعم الفني

<https://support.thrustmaster.com>

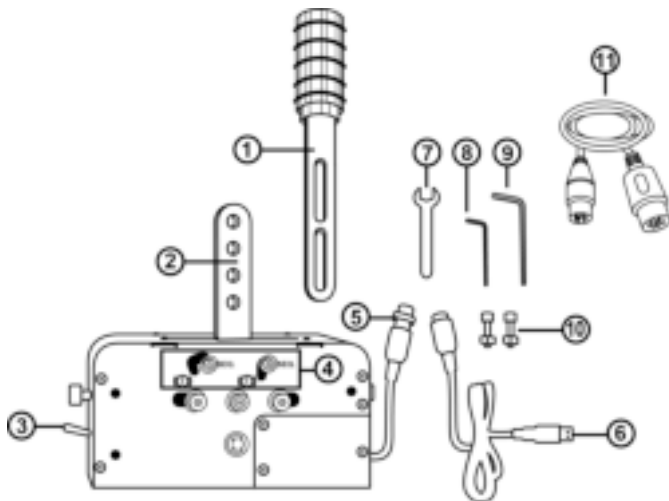


# TSS HANDBRAKE+

## sparco® Mod

PC – PS4™ – Xbox One®

### Bruksanvisning



### TEKNISKA SPECIFIKATIONER

- 1 Löstagbar spak (ej installerad som standard)
- 2 Armar för montering av spaken
- 3 HANDBROMS/VÄXELSPAK-knapp
- 4 Mekaniskt växlingsystem (för att växla mellan lägena HANDBROMS och SEKVENTIELL VÄXELSPAK)
- 5 DIN-kabel och honkontakt på basen
- 6 Löstagbar DIN/USB-kabel (hane)
- 7 13 mm U-nyckel
- 8 3 mm insexnyckel
- 9 6 mm insexnyckel
- 10 2 BTR M8-skrivar + 2 M8-muttrar
- 11 Löstagbar mini-DIN/DIN-kabel

## VARNING

Läs igenom denna bruksanvisning noggrant innan du använder denna produkt. Behåll bruksanvisningen för framtida bruk.



### **Varning – Elektriska stötar**

- \* Förvara denna produkt på ett torrt ställe och utsätt det inte för damm eller solljus.
- \* Sätt i kontakter på rätt sätt.
- \* Vrid och dra inte i kontakter och kablar.
- \* Spill inte vätska på produkten eller dess kontakter.
- \* Kortslut inte produkten.
- \* Montera inte isär produkten (förutom de eventuella justeringar som beskrivs i denna bruksanvisning), försök inte bränna produkten och utsätt inte produkten för höga temperaturer.



### **Varning – Skador på grund av upprepande rörelser**

Att använda en växelspak eller handbroms kan leda till muskel- och ledvärk. För att undvika problem:

- \* Undvik att spela under längre perioder.
- \* Ta 10-15 minuters paus efter varje timme av spelande.
- \* Om du känner smärta eller trötthet i händer, handleder eller armar, ska du sluta spela och vila i några timmar innan du spelar igen.
- \* Om dessa symtom eller smärtor som beskrivs ovan består när du fortsätter spela ska du sluta spela och kontakta din läkare.
- \* Verifiera att basen på TSS HANDBRAKE är korrekt monterad enligt beskrivningarna i denna bruksanvisning.



### **Varning – Klämrisk vid växelp Plattans öppningar**

- \* Håll utom räckhåll för barn.
- \* När du spelar ett spel ska du aldrig ha dina fingrar (eller andra delar av din kropp) i öppningarna på växelp Plattorna på TSS HANDBRAKE.

**ALDRIG**

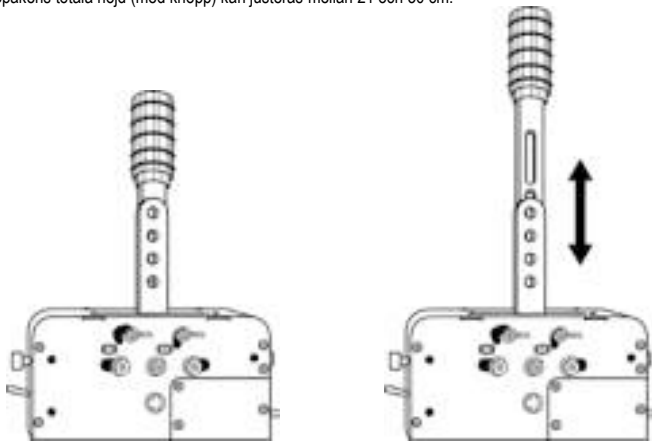


## INSTALLERA DEN LÖSTAGBARA SPAKEN (1) PÅ MONTERINGSARMARNA (2)

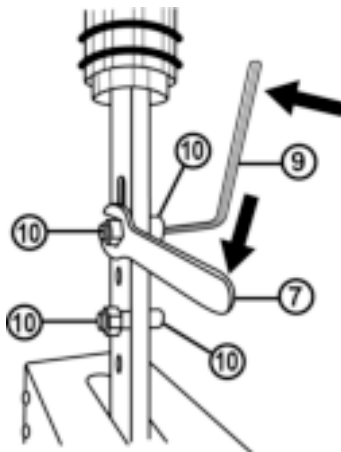
1. För in den löstagbara spaken (1) mellan monteringsarmarna (2).

2. Justera spaken till önskad höjd.

Spakens totala höjd (med knapp) kan justeras mellan 21 och 30 cm.



3. Sätt fast spaken på monteringsarmarna med hjälp av två BTR M8-skrivar (10), två M8-muttrar (10) och 6 mm insexnyckeln (9).



## KONFIGURERA HANDBROMSLÄGET

Som standard (när du öppnar förpackningen) är TSS HANDBRAKE konfigurerad i HANDBROMS-läget.

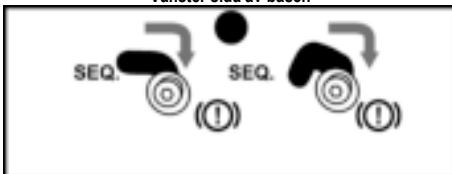
1. HANDBROMS/VÄXELSPAK-knappen (3) är nedfälld i HANDBROMS-läget.

Framsidan av basen

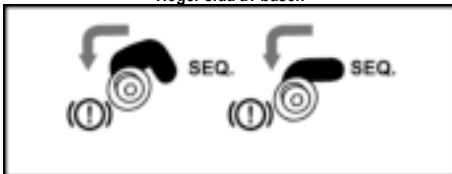


2. Det mekaniska system som låter dig växla från HANDBROMS till SEKVENTIELL VÄXELSPAK (4) är förinställd i HANDBROMS-läget.

Vänster sida av basen



Höger sida av basen

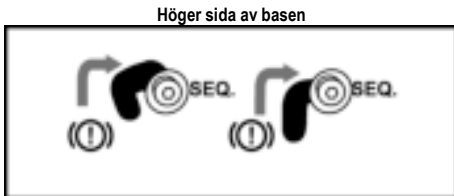
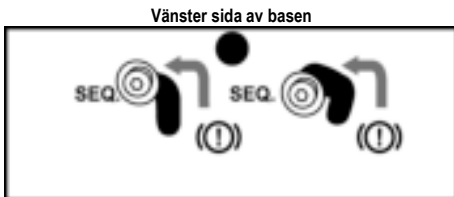


## KONFIGURERA DET SEKVENTIELLA VÄXELSPAKSLÄGET

1. Tryck upp HANDBROMS/VÄXELSPAK-knappen (3) till det SEKVENTIELLA VÄXELSPAKS-läget.



2. För att växla från HANDBROMS till SEKVENTIELL VÄXELSPAK (4) använder du 3 mm insexnyckeln (8) och skruvar loss det mekaniska systemets skruvar aningen (två skruvar på båda sidorna av basen).
3. Flytta dessa fyra skruvar (två skruvar på båda sidorna av basen) till SEQ -läget.



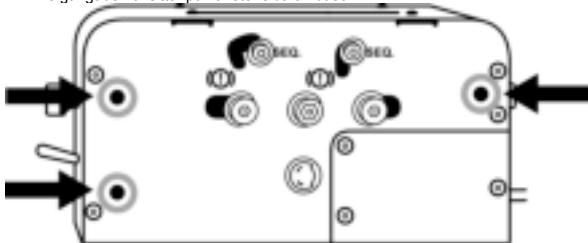
4. Kontrollera att dessa skruvar (två skruvar på båda sidorna av basen) är perfekt placerade och dra sedan åt dem med 3 mm insexnyckeln (8).



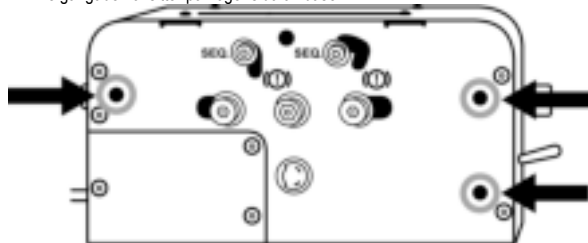
## INSTALLERA TSS HANDBRAKE

TSS HANDBRAKE kan monteras till en mängd olika kompatibla stöd (säljs separat) med hjälp av de M6-gängade hålen på båda sidorna av enheten och under dess bas:

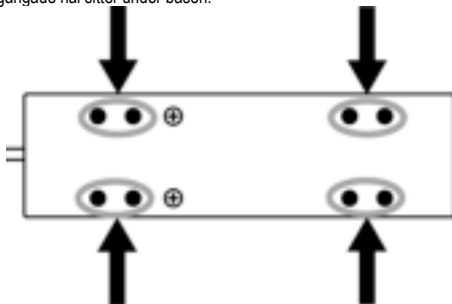
- Tre gängade hål sitter på vänster sida av basen.



- Tre gängade hål sitter på höger sida av basen.



- Åtta gängade hål sitter under basen.



Mallen för installation av TSS HANDBRAKE i en cockpit finns på <https://support.thrustmaster.com>. Välj Racingrattar / TSS HANDBRAKE, och sedan Mall - Cockpitinstallation.

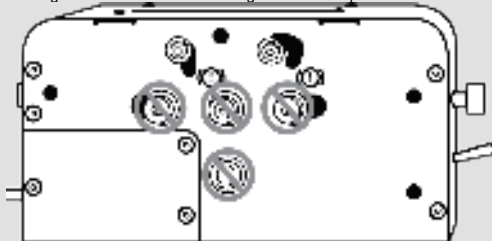
# ! DRA ALDRIG ÅT ELLER LOSSA PÅ DESSA SKRUVAR !

Med undantag för skruvarna som är kopplade till det mekaniska system som används för att växla från **HANDBROMS** till **SEKVENTIELL VÄXELSPAK (4)**, ska du aldrig dra åt eller lossa på de skruvar som sitter på TSS HANDBRAKE-basen.

Vänster sida av basen = Dra aldrig åt eller lossa på dessa skruvar:



Höger sida av basen = Dra aldrig åt eller lossa på dessa skruvar:



Fram- och baksidan av basen = Dra aldrig åt eller lossa på dessa skruvar:



## INSTALLATIONSANVISNINGAR FÖR PC

1. Gå till <https://support.thrustmaster.com> för att ladda ner PC-drivrutinerna.

Välj Racingrattar / TSS HANDBRAKE, och sedan Drivrutiner.

2. När nedladdningen är klar kör du installationsprogrammet och följer anvisningarna på skärmen.

3. När installationsprogrammet säger tillansluter du TSS HANDBRAKE till någon av USB-portarna på din PC med hjälp av den löstagbara DIN/USB-kabeln (hane) (6) och slutför installationen av drivrutinen.

4. När installationen är klar klickar du på Slutför och startar om datorn.

5. Välj Start / Alla program / Thrustmaster / Växelspaken TH8 / Kontrollpanel för att öppna fönstret Spelkontroller.

Fönstret Spelkontroller visar namnet **TSS HANDBRAKE Sparco® Mod**, med statusen OK.

6. Klicka på Egenskaper för att visa TSS HANDBRAKE i Kontrollpanelen i Windows:



**På PC, när TSS HANDBRAKE är ansluten till en USB-port via den löstagbara DIN/USB-kabeln (hane) (6), är TSS HANDBRAKE kompatibel:**

- med lägena HANDBROMS [progressiv] och SEKVENTIELL VÄXELSPAK [+/-];
- med alla spel som stödjer separata handbromsar och växelspakar och flera USB-enheter samtidigt;
- med alla racingrattar på marknaden.

**På PC, när TSS HANDBRAKE är ansluten till baksidan av en kompatibel racingrattbas från Thrustmaster via den löstagbara mini-DIN/DIN-kabeln (11), är TSS HANDBRAKE kompatibel:**

- med enbart läget SEKVENTIELL VÄXELSPAK [+/-];
- med alla spel (eftersom TSS HANDBRAKE kombineras med racingrattens växel paddlar UPP och NER);
- med enbart kompatibla racingrattbasar från Thrustmaster (TS-PC Racer, T-GT, T300, TS-XW Racer och TX).



**VIKTIGT:** du måste uppdatera racingrattbasens firmware (TS-PC Racer, T-GT, T300, TS-XW Racer och TX) med den senaste versionen som finns på <https://support.thrustmaster.com/> för att kunna ansluta en TSS HANDBRAKE till racingrattbasen.

## Att ha i åtanke på PC:

\* Kom ihåg att alltid stänga ned fönstret Spelkontroller helt och hållet genom att klicka på OK innan du startar ditt spel.

\* TSS HANDBRAKE:s firmwareversion visas i det övre högra hörnet av flikarna på Kontrollpanelen.

\* Om du väljer att använda en USB-anslutning rekommenderar vi att du ansluter din racingratt och TSS HANDBRAKE direkt till USB 2.0-portarna (inte USB 3.0) på din PC, utan att använda en hub.

\* Vissa spel låter dig använda två TSS HANDBRAKE-enheter samtidigt:

- En TSS HANDBRAKE konfigurerad i läget HANDBROMS;
- En TSS HANDBRAKE i läget SEKVENTIELL VÄXELSPAK.

## INSTALLATION PÅ PS4™ OCH Xbox One®

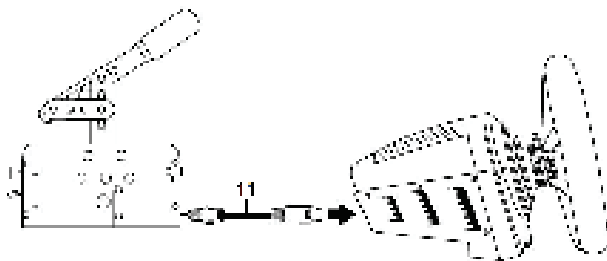
På PS4™ och Xbox One® är TSS Handbrake kompatibel med följande racingrattbasar:

- Thrustmaster T-GT och T300 på PS4™
- Thrustmaster TS-XW Racer och TX på Xbox One®

**!** **VIKTIGT:** för att TSS HANDBRAKE ska prestera optimalt på PS4™ och Xbox One® måste du uppdatera firmwaren på din racingrattbas (T-GT, T300, TS-XW Racer eller TX) med den senaste versionen som finns på <https://support.thrustmaster.com/>.

### Installation:

1. Använd den löstagbara mini-DIN/DIN-kabeln (11) och anslut TSS HANDBRAKE direkt till mini-DIN-uttaget (hona) på baksidan av racingrattens bas.



2. Anslut din racingratt till konsolen.

NU ÄR DU REDO ATT SPELA!

### Att ha i åtanke på PS4™ och Xbox One®:

- Använd eller anslut aldrig den löstagbara DIN/USB-kabeln (hane) (6) på PS4™ och Xbox One®. TSS HANDBRAKE måste alltid vara ansluten till en kompatibel racingrattbas från Thrustmaster, och inte till konsolen.
- När TSS HANDBRAKE är ansluten till en kompatibel racingrattbas från Thrustmaster:
  - fungerar läget SEKVENTIELL VÄXELSPAK [+/-] i alla spel, eftersom det kombineras med racingrattens växelpaddlar UPP och NER.
  - fungerar läget HANDBROMS [progressiv] i spel som har stöd för handbromsfunktionen\*.

\* En lista med spel till PS4™ och Xbox One® som är kompatibla med handbromsar finns på <https://support.thrustmaster.com/>. Gå till **Racingrattar** och välj **TM SIM HUB** eller **TSS Handbrake Sparco® Mod**.

## SAMMANFATTNING AV HUR MAN ANSLUTER TSS HANDBRAKE TILL OLIKA PLATTFORMAR

	<b>Anslutning av TSS HANDBRAKE</b>
<b>PC</b> (Lägena HANDBROMS och SEKVENTIELL VÄXELSPAK)	Till PC:n med hjälp av den löstagbara DIN/USB-kabeln (hane) <b>(6)</b> . Kompatibel med alla racingrattar på marknaden.
<b>PC</b> (Enbart läget SEKVENTIELL VÄXELSPAK)	Till baksidan av en kompatibel racingrattbas från Thrustmaster med hjälp av den löstagbara mini-DIN/DIN-kabeln <b>(11)</b> .
<b>PS4™</b> (Lägena HANDBROMS och SEKVENTIELL VÄXELSPAK)	Till baksidan av en kompatibel racingrattbas från Thrustmaster med hjälp av den löstagbara mini-DIN/DIN-kabeln <b>(11)</b> .
<b>XBOX ONE®</b> (Lägena HANDBROMS och SEKVENTIELL VÄXELSPAK)	Till baksidan av en kompatibel racingrattbas från Thrustmaster med hjälp av den löstagbara mini-DIN/DIN-kabeln <b>(11)</b> .

## UPPDATERA TSS HANDBRAKES FIRMWARE

Firmwaren som medföljer TSS HANDBRAKE:s bas kan uppdateras (det vill säga den kan uppgraderas till en nyare version med produktförbättringar).

För att visa TSS HANDBRAKE:s firmwareversion och uppdatera den, vid behov, går du på PC till <https://support.thrustmaster.com>, och väljer **Racingrattar / TSS HANDBRAKE**, följt av **Firmware**, och följer instruktionerna samt nedladdnings- och installationsproceduren.

## AVANCERAT KALIBRERINGSPROGRAM

TSS HANDBRAKE kalibreras automatiskt.

Det finns även ett avancerat kalibreringsprogram för PC på <https://support.thrustmaster.com>: välj Racingrattar / TSS HANDBRAKE, och sedan Programvara. Med programvaran kan du justera följande:

- Analogt rörelseområde i läget HANDBROMS;
- Analogt rörelseområde i läget SEKVENTIELL VÄXELSPAK.

**När inställningarna har justerats sparas de omedelbart i TSS HANDBRAKE:s interna minne och kommer således att vara inställda i alla dina spel, vare sig på PC, PS4™ eller Xbox One®.**

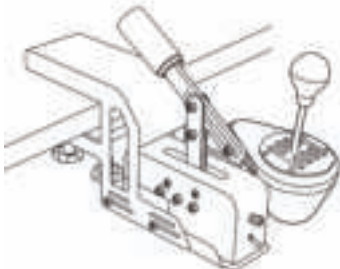
### TIPS och RÅD (ingår inte i denna bruksanvisning)

Olika tips och råd finns på webbplatsen <https://support.thrustmaster.com>; välj Racingrattar / TSS HANDBRAKE.

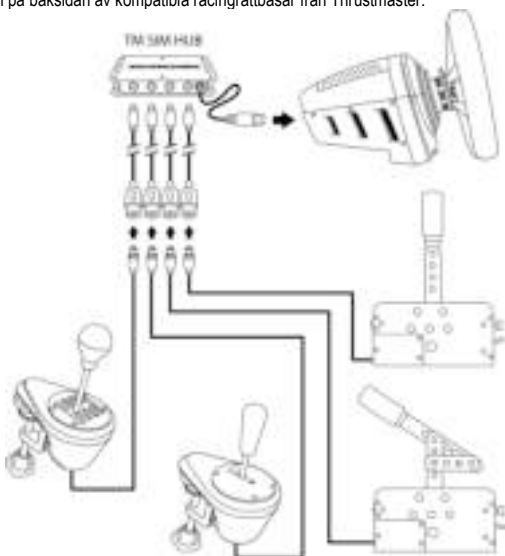
## EKOSYSTEM

TSS HANDBRAKE är dessutom kompatibel med andra tillbehör som säljs separat:

\* **TM RACING CLAMP:** ett stadigt sidostödsfäste med vilket spelarna stadigt kan montera sin TSS Handbrake och växelspaken TH8A direkt på ett bord eller skrivbord utan att någon cockpit behövs.



\* **TM SIM HUB:** en hub med vilken användarna samtidigt kan ansluta upp till fyra tillbehör direkt till mini-DIN-kontakten på baksidan av kompatibla racingrattbasar från Thrustmaster.





## **GARANTIINFORMATION**

Guillemot Corporation S.A., med säte i Place du Granier, B.P. 97143, 35571 Chantepie, Frankrike (hädanefter "Guillemot") garanterar globalt för konsumenten att denna Thrustmaster-produkt ska vara fri från defekter i material och utförande, under en garantiperiod som motsvarar tidsgränsen för att vidta åtgärder mot Guillemot om konsumenten anser att produkten inte är fri från defekter i material och utförande. I länderna i Europeiska unionen motsvarar detta en period på två (2) år från leveransen av Thrustmaster-produkten. I andra länder motsvarar garantiperioden tidsgränsen för att vidta åtgärder mot Guillemot om konsumenten anser att Thrustmaster-produkten inte är fri från defekter i material och utförande enligt de lagar som gäller i landet där konsumenten var bosatt vid inköpsdatumet för Thrustmaster-produkten (om ingen sådan åtgärd existerar i det motsvarande landet ska garantiperioden vara ett (1) år från ursprungligt inköpsdatum av Thrustmaster-produkten).

Trots ovanstående omfattas laddningsbara batterier av en garantiperiod på sex (6) månader från ursprungligt inköpsdatum.

Om produkten skulle visa sig vara defekt under garantiperioden ska du genast kontakta tekniska supporten som då informerar om hur du går vidare. Om defekten bekräftas måste produkten returneras till inköpsstället (eller annat ställe angivet av tekniska supporten).

Inom ramen för denna garanti ska konsumentens defekta produkt, efter tekniska supportens gottfinnande, antingen ersättas eller repareras så att den fungerar. Om Thrustmaster-produkten under garantiperioden är föremål för sådan renovering, ska alla perioder på minst sju (7) dagar under vilka produkten inte kan användas läggas till återstående garantiperiod (denna period löper från det datum då konsumenten bad om service eller från det datum då produkten ifråga gjorts tillgänglig för reparation, om datumet då produkten gjorts tillgänglig för reparation ligger efter datumet då konsumenten bad om service). Om det är tillåtet enligt gällande lag är Guillemot och dess dotterbolags fulla ansvar (inklusive följdskador) begränsat till att reparera eller ersätta Thrustmaster-produkten. Om det är tillåtet enligt gällande lag fransägar sig Guillemot alla garantier för säljbarhet eller lämplighet för ett visst syfte.

Garantin gäller inte: (1) om produkten har modifierats, öppnats, ändrats eller skadats till följd av olämplig användning eller missbruk, försumlighet, olycka, normalt slitage eller annan orsak som inte är relaterad till material- eller tillverkningsfel (inklusive, men inte begränsat till, att kombinera Thrustmaster-produkten med någon olämplig del, i synnerhet nätaggregat, laddningsbara batterier, laddare, eller andra delar som Guillemot inte tillhandahåller för denna produkt); (2) om produkten har använts för annan användning än hemanvändning, inklusive för professionella eller kommersiella ändamål (t.ex. spelrum, träning, tävlingar); (3) om instruktionerna från teknisk support inte följs; (4) programvara, då programvaran har en egen garanti; (5) förbrukningsvaror (delar som byts ut under produktens livslängd: t.ex. engångsbatterier eller öronkuddar till headset eller hörlurar); (6) tillbehör (t.ex. kablar, fodral, påsar, väskor, handledsremmar); (7) om produkten såldes på e offentlig auktion.

Denna garanti är inte överlåtbar.

Konsumentens juridiska rättigheter med avseende på lagar som gäller för försäljning av konsumentvaror i hens land påverkas inte av denna garanti.

### Ytterligare garantibestämmelser

Under garantiperioden ska Guillemot i princip inte tillhandahålla några reservdelar eftersom teknisk support är den enda part med behörighet att öppna och/eller renovera Thrustmasters produkter (med undantag för renoveringar som teknisk support ber konsumenten att utföra med hjälp av skriftliga instruktioner – till exempel om renoveringen är enkel och ej konfidentiell – och genom att i gällande fall förse konsumenten med de reservdelar som behövs).

Med tanke på dess innovationscykler och för att skydda dess kunskaper och affärshemligheter, ska Guillemot i princip inte tillhandahålla några renoveringsinstruktioner eller reservdelar för någon Thrustmaster-produkt vars garantiperiod har löpt ut.

I USA och Kanada är denna garanti begränsad till produktens interna mekanism och externa hölje. Guillemot eller dess dotterbolag ska under inga omständigheter hållas ansvariga av tredje part vad gäller eventuella följdskador eller oförutsedda skador som uppstår till följd av brott mot uttryckliga eller underförstådda garantier. Vissa delstater/provinser tillåter inte att man begränsar hur länge en underförstådd garanti varar eller att man utesluter eller ansvarsbegränsar följdskador eller oförutsedda skador, så ovanstående begränsningar eller uteslutningar kanske inte gäller dig. Denna garanti ger dig specifika juridiska rättigheter, och du kan också ha andra rättigheter som varierar från delstat till delstat eller provins till provins.

### Ansvar

Om det är tillåtet enligt gällande lag fransäger sig Guillemot Corporation S.A. (hädanefter "Guillemot") och dess dotterbolag allt ansvar för eventuella skador orsakade av följande: (1) produkten har modifierats, öppnats eller ändrats; (2) underlåtenhet att följa monteringsanvisningarna; (3) olämplig användning eller missbruk, försumlighet, en olycka (t.ex. att produkten tappas); (4) normalt slitage; (5) produkten har använts för annan användning än hemanvändning, inklusive för professionella eller kommersiella ändamål (t.ex. spelrum, träning, tävlingar). Om det är tillåtet enligt gällande lag fransäger sig Guillemot och dess dotterbolag allt ansvar för eventuella skador som inte är relaterade till material- eller tillverkningsfel när det gäller produkten (inklusive, men inte begränsat till, skador som direkt eller indirekt orsakats av någon programvara eller genom att kombinera Thrustmaster-produkten med någon olämplig del, i synnerhet nätaggregat, laddningsbara batterier, laddare, eller andra delar som Guillemot inte tillhandahåller för denna produkt).

**THRUSTMASTER®**

**TEKNISK SUPPORT**

<https://support.thrustmaster.com>



## UPPHOVS RÄTTSSKYDD

© 2019 Guillemot Corporation S.A. Med ensamrätt. Thrustmaster® är ett registrerat varumärke som tillhör Guillemot Corporation S.A. PlayStation® är ett registrerat varumärke som tillhör Sony Interactive Entertainment Inc. Windows® är ett registrerat varumärke som tillhör Microsoft Corporation i USA och/eller andra länder. Sparco är ett registrerat varumärke som tillhör Sparco S.p.A. Alla andra varumärken tillhör sina respektive ägare. Illustrationer är inte bindande. Innehåll, konstruktion och specifikationer kan ändras utan föregående meddelande och kan variera från land till land. Tillverkad och distribuerad av Guillemot Corporation S.A. under officiell licens från Sparco S.p.A. Tillverkad i Kina.

## MILJÖSKYDD



\* I Europeiska unionen: När produkten har slutat fungera ska den inte slängas i vanligt hushållsavfall, utan kasseras vid en uppsamlingsplats för bortskaffandet av elektriskt och elektroniskt avfall (WEEE) för återvinning.

Detta bekräftas av symbolen på produkten, bruksanvisningen eller förpackningen.

Beroende på dess egenskaper kan materialet kanske återvinnas. Genom återvinning och andra sätt att hantera elektriskt och elektroniskt avfall kan du göra ett viktigt bidrag till att hjälpa till att skydda miljön.

Kontakta dina lokala myndigheter för information om uppsamlingsplatsen som är närmast dig.

För alla andra länder: Följ lokala återvinningslagar för elektriskt och elektroniskt avfall.

Behåll denna information. Färger och dekorationer kan variera.

Plastfästen och lim/kliester/tejp bör avlägsnas från produkten innan den används.

**[www.thrustmaster.com](http://www.thrustmaster.com)**

*\*Gäller endast EU och Turkiet*

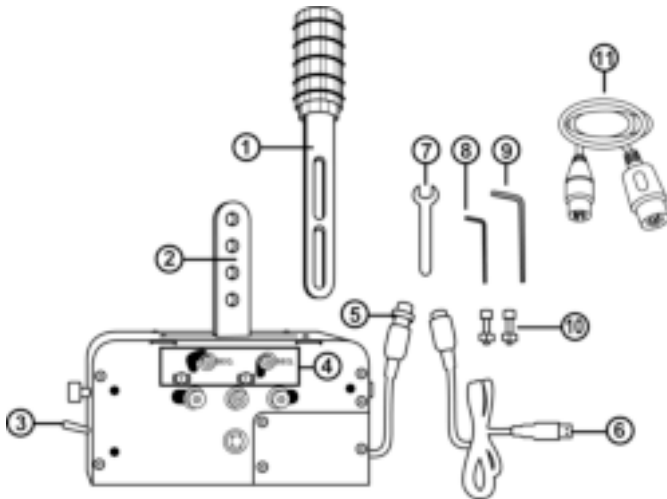


# TSS HANDBRAKE+

## sparco® Mod

PC – PS4™ – Xbox One®

### Käyttöohje



### TEKNISET TIEDOT

- |                                                                                                    |                                     |
|----------------------------------------------------------------------------------------------------|-------------------------------------|
| 1 Irrotettava vipu (ei valmiiksi asennettu)                                                        | 6 Irrotettava DIN/USB-uroskaapeli   |
| 2 Vivun liitinvarret                                                                               | 7 13 mm jakoavain                   |
| 3 KÄSIJARRU/SEKVENTAALIVAIHDEVälitsin                                                              | 8 3 mm kuusiokoloavain              |
| 4 Mekaaninen kytkinjärjestelmä (KÄSIJARRU- ja SEKVENTAALIVAIHDEtilojen välillä vaihtamista varten) | 9 6 mm kuusiokoloavain              |
| 5 DIN-kaapeli ja naarasliitin jalustassa                                                           | 10 2 BTR M8 -ruuvia + 2 M8-mutteria |
|                                                                                                    | 11 Irrotettava mini-DIN/DIN-kaapeli |

## VAROITUS

Ennen kuin käytät tätä tuotetta, lue tämä käyttöohje. Säädä tämä käyttöohje myöhempää tarvetta varten.



### **Varoitus – sähköiskun vaara**

- \* Pidä tämä tuote kuivassa paikassa, älä altista sitä pölylle tai auringonvalolle.
- \* Noudata liitinten kiinnittämisohjeita.
- \* Älä väännä tai vedä liittimiä tai kaapeleita.
- \* Älä kaada nestettä tuotteen tai sen liittimen päälle.
- \* Älä aiheuta tuotteelle oikosulkua.
- \* Älä pura tätä tuotetta (pois lukien tässä käyttöohjeessa esitetyt mahdolliset säätötoimet), älä yritä polttaa tuotetta ja älä altista tuotetta korkeille lämpötiloille.



### **Varoitus – toistuvan liikkeen aiheuttamat vammat**

Vaihteiston käyttäminen voi johtaa lihas- ja nivelkipuihin. Vältä näitä mahdolliset ongelmat:

- \* Vältä pitkäkestoista pelaamista.
- \* Vietä 10–15 minuutin tauko jokaisen pelitunnin jälkeen.
- \* Mikäli kätesi, ranteesi tai käsivartesi tuntuu väsyneeltä tai kipeältä, lopeta pelaaminen ja lepää muutaman tunnin ajan ennen uudelleen aloittamista.
- \* Mikäli oireet tai kivut jatkuvat peliä jatkaessasi, lopeta pelaaminen ja kysy neuvoa lääkäriltä.
- \* Varmista, että TSS HANDBRAKE -jalusta on kiinnitetty oikein tässä käyttöohjeessa kuvaillulla tavalla.



### **Varoitus – puristusvaara vaihtelevyn aukoissa**

- \* Pidä lasten ulottumattomissa.
- \* Kun pelaat peliä, älä koskaan aseta sormiasi (tai muita ruumiinosia) TSS HANDBRAKE -vaihtelevyn aukkoihin.

**EI KOSKAAN**

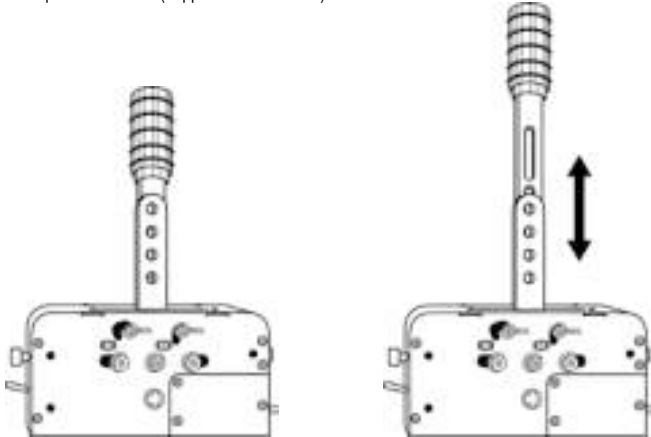


## IRROTETTAVA VIVUN ASENTAMINEN (1) LIITINVARSIIN (2)

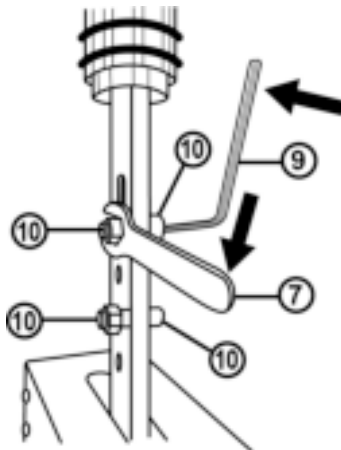
1. Liuta irrotettava vipu (1) liitinvarsiin (2).

2. Säädä vipu halutulle korkeudelle.

Vivun lopullinen korkeus (nuppi mukaan luettuna) voidaan asettaa 21–30 cm väliille.



3. Kiinnitä vipu liitinvarsiin käyttämällä kahta BTR M8-ruuvia (10), kahta M8-mutteria (10) ja 6 mm kuusiokoloavainta (9).

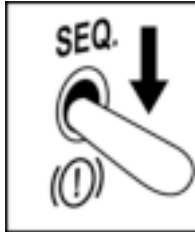


# KÄSIJARRU-TILAN SÄÄTÖ

TSS HANDBRAKE on oletusarvoisesti (kun laite otetaan paketista) asetettu KÄSIJARRU-tilaan.

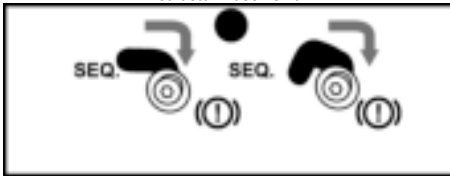
1. KÄSIJARRU/VAIHDE-valitsin (3) on laskettu KÄSIJARRU-tilan asentoon.

Jalustan etusivu

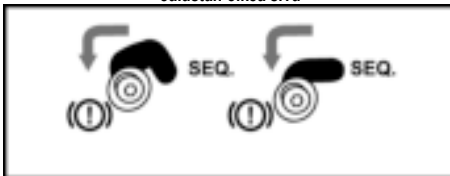


2. Mekaaninen järjestelmä, joka antaa sinun vaihtaa KÄSIJARRU-tilasta SEKVENTAALIVAIHDE-tilaan (4), on oletusarvoisesti KÄSIJARRU-tilan asennossa.

Jalustan vasen sivu



Jalustan oikea sivu



# SEKVENTAALIVAIHDE-TILAN SÄÄTÖ

1. Nosta KÄSIJARRU/VAIHDE-valitsin (3) SEKVENTAALIVAIHDE-tilan asentoon.

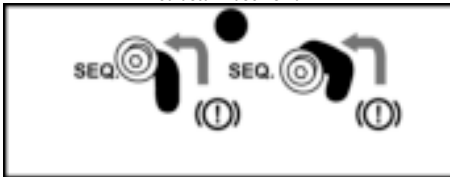
Jalustan etusivu



2. Vaihtaaksesi KÄSIJARRU-tilasta SEKVENTAALIVAIHDE-tilaan (4) käytä 3 mm kuusiokoloavainta (8) avataksesi hieman mekaanisen järjestelmän ruuveja (kaksi ruuvia jalustan molemmin puolin).

3. Siirrä nämä neljä ruuvia (kaksi ruuvia jalustan molemmin puolin) SEQ-asentoon.

Jalustan vasen sivu



Jalustan oikea sivu



4. Tarkista, että neljä ruuvia (kaksi jalustan molemmin puolin) ovat täysin kohdallaan ja kiristä ne sitten 3 mm kuusiokoloavainta (8) käyttämällä.



## TSS HANDBRAKEN ASENNUS

TSS HANDBRAKE voidaan liittää useisiin yhteensopiviin tukiin (myydään erikseen) M6-kierteitä käyttämällä. Kierteiden kolot löytyvät laitteen molemmilta puolilta ja sen jalustan alta:

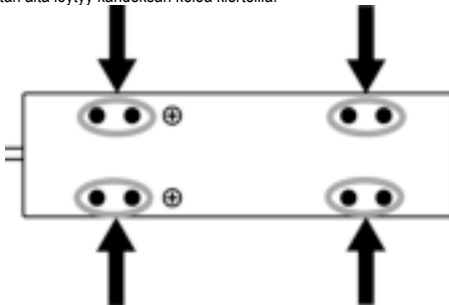
- Jalustan vasemmalta puolelta löytyy kolme koloa kierteillä.



- Jalustan oikealta puolelta löytyy kolme koloa kierteillä.



- Jalustan alta löytyy kahdeksan koloa kierteillä.



Ohjaamon asennusmalli TSS HANDBRAKE -laitteelle löytyy osoitteesta <https://support.thrustmaster.com>. Valitse Racing Wheels / TSS HANDBRAKE ja sitten Template - Cockpit Setup.

## ⚠ ÄLÄ KIRISTÄ TAI LÖYSÄÄ NÄITÄ RUUVEJA ⚠

Pois lukien mekaanisen järjestelmän ruuvit, joita käytetään vaihtamaan KÄSIJARRU-tilasta SEKVENTAALIVAIHDE-tilaan (4), älä kiristä tai löysää mitään TSS HANDBRAKE -jalustasta löytyviä ruuveja.

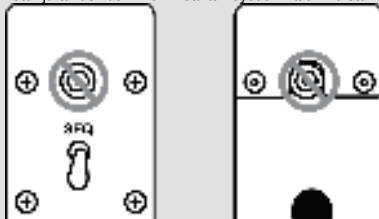
Jalustan vasen sivu = Älä kiristä tai löysää mitään näistä ruuveista:



Jalustan oikea sivu = Älä kiristä tai löysää mitään näistä ruuveista:



Jalustan etu- ja takasivut = Älä kiristä tai löysää mitään näistä ruuveista:



## ASENNUSOHJEET PC-TIETOKONEELLE

1. Lataa PC-ajurit osoitteesta: <https://support.thrustmaster.com>.

Valitse Racing Wheels / TSS HANDBRAKE ja sitten Drivers.

2. Kun lataus on valmis, aja asennusohjelma ja seuraa ruudulle ilmestyviä ohjeita.

3. Kun asennusohjelma pyytää sitä, yhdistä TSS HANDBRAKE irrotettavalla DIN/USB-uroskaapelilla (6) yhteen PC:n USB-porteista ja suorita ajurin asennus loppuun.

4. Kun asennus on valmis, napsauta Valmis (Finish) ja käynnistä tietokone uudelleen.

5. Valitse Aloita / Kaikki ohjelmat / Thrustmaster / TH8 Shifter / Ohjauspaneeli avataksesi Peliohjaimet-ikkunan.

Peliohjaimet-ikkunassa näkyy nimi **TSS HANDBRAKE Sparco® Mod**, ja sen tila on OK.

6. Napsauta kohtaa Ominaisuudet nähdäksesi TSS HANDBRAKE -laitteen Windowsin Ohjauspaneelissa:



**PC: Kun TSS HANDBRAKE on yhdistetty USB-porttiin irrotettavaa DIN/USB-urossakaapelia (6) käyttämällä, TSS HANDBRAKE on yhteensopiva:**

- KÄSIJARRU-tilan [Progressiivinen] ja SEKVENTAALIVAIHDE-tilan [+/-] kanssa;
- kaikkien MULTI-USB-yhteyttä sekä erillisiä käsijarruja ja vaihteistoja tukevien pelien kanssa;
- kaikkien markkinoilla olevien rattiohjainten kanssa.

**PC: Kun TSS HANDBRAKE on yhdistetty yhteensopivan Thrustmaster-rattiohjaimen jalustaan irrotettavaa mini-DIN/DIN-kaapelia (11) käyttämällä, TSS HANDBRAKE on yhteensopiva:**

- vain SEKVENTAALIVAIHDE-tilan [+/-] kanssa;
- kaikkien pelien kanssa (koska TSS HANDBRAKE on yhdistetty rattiohjaimen YLÖS- ja ALAS-vaihdevipuihin);
- vain yhteensopivien THRUSTMASTER-rattiohjainjalustojen kanssa (TS-PC Racer, T-GT, T300, TS-XW Racer ja TX).



**TÄRKEÄÄ:** Sinun on päivitettävä rattiohjaimesi jalustan laiteohjelmisto (TS-PC Racer, T-GT, T300, TS-XW Racer ja TX) viimeisimpään versioon, jonka saa osoitteesta <https://support.thrustmaster.com/>, jotta voit yhdistää TSS HANDBRAKEN rattiohjaimen jalustaan.

## **Yleisiä PC-huomioita:**

- \* Muista aina sulkea Peliohjaimet-ikkuna kokonaan napsauttamalla OK ennen pelin käynnistämistä.
- \* TSS HANDBRAKEN laiteohjelmiston versio esitetään Ohjauspaneelin välilehden oikeassa yläkulmassa.
- \* Jos päätät käyttää USB-yhteyttä, suosittelemme, että yhdistät rattiohjaimen ja TSS HANDBRAKEN suoraan PC:n USB 2.0 -porttiin (ei USB 3.0) USB-hubia käyttämättä.
- \* Jotkut pelit sallivat kahden TSS HANDBRAKE -laitteen yhtäaikaisen käytön:
  - 1 TSS HANDBRAKE KÄSIJARRU-tilassa;
  - 1 TSS HANDBRAKE SEKVENTAALIVAIHDE-tilassa.

## ASENNUS PS4™- JA XBOX ONE® -KONSOLEILLE

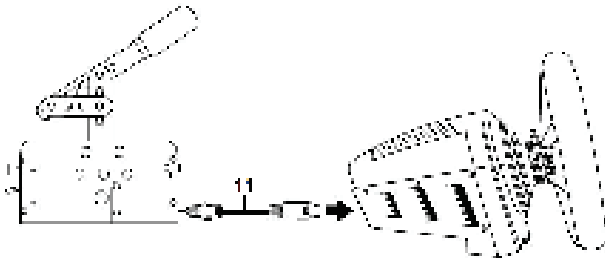
TSS HANDBRAKE on PS4™- ja Xbox One® -konsoleilla yhteensopiva seuraavien rattiohjainjalustojen kanssa:

- PS4™: Thrustmaster T-GT ja T300
- Xbox One®: Thrustmaster TS-XW Racer ja TX

**! TÄRKEÄÄ:** Jotta TSS HANDBRAKE -laite toimii optimaalisesti PS4™- ja Xbox One® -konsolilla, sinun on päivitettävä rattiohjaimesi jalustan laiteohjelmisto (T-GT, T300, TS-XW Racer tai TX) viimeisimpään versioon, jonka saa osoitteesta <https://support.thrustmaster.com/>.

### Asennus:

1. Yhdistä irrotettava mini-DIN/DIN-kaapelia (**11**) käyttämällä TSS HANDBRAKE suoraan rattiohjaimesi jalustan takana olevaan mini-DIN-naarasporttiin.



2. Yhdistä rattiohjin konsoliin.

OLET NYT PELIVALMIS!

### Yleisiä PS4™- ja Xbox One® -huomioita:

- Älä ikinä käytä irrotettavaa DIN/USB-kaapelia (**6**) PS4™- ja Xbox One® -konsolilla. TSS HANDBRAKE täytyy yhdistää aina Thrustmaster-rattiohjainjalustaan eikä konsoliin.
- Kun TSS HANDBRAKE on yhdistetty yhteensopivaan Thrustmaster-rattiohjainjalustaan:
  - SEKVENTAALIVAIHDE-tila [+/-] toimii kaikissa peleissä, sillä se on yhdistetty rattiohjaimen YLÖS- ja ALAS-vaihevipuihin.
  - HANDBRAKE-tila [Progressiivinen] toimii kaikissa käsijarrutoimintoa tukevilla peleissä\*.

\* Lista käsijarrun kanssa yhteensopivista PS4™- ja Xbox One® -peleistä löytyy osoitteesta <https://support.thrustmaster.com/>. Valitse **Racing Wheels** -osiosta **TM SIM HUB** tai **TSS Handbrake Sparco® Mod**.

## TSS HANDBRAKE -YHTEENVETO KÄYTETYN LAITEALUSTAN MUKAAN

	TSS HANDBRAKE -liitin
<b>PC</b> (KÄSIJARRU-tila ja SEKVENTAALIVIAIHDE- tila)	PC ja irrotettava DIN/USB-uroskaapeli <b>(6)</b> . Yhteensopiva kaikkien markkinoilla olevien rattiohjainten kanssa.
<b>PC</b> (pelkkä SEKVENTAALIVIAIHDE- tila)	Yhteensopiva Thrustmaster-rattiohjainjalusta ja irrotettava mini-DIN/DIN-kaapeli <b>(11)</b> .
<b>PS4™</b> (KÄSIJARRU-tila ja SEKVENTAALIVIAIHDE- tila)	Yhteensopiva Thrustmaster-rattiohjainjalusta ja irrotettava mini-DIN/DIN-kaapeli <b>(11)</b> .
<b>XBOX ONE®</b> (KÄSIJARRU-tila ja SEKVENTAALIVIAIHDE- tila)	Yhteensopiva Thrustmaster-rattiohjainjalusta ja irrotettava mini-DIN/DIN-kaapeli <b>(11)</b> .

## TSS HANDBRAKE -LAITEOHJELMISTON PÄIVITTÄMINEN

TSS HANDBRAKE -jalustan sisältämää laiteohjelmistoa voidaan päivittää (eli se voidaan siis päivittää uudempaan versioon, joka sisältää parannuksia tuotteeseen).

Tarkista TSS HANDBRAKE -laiteohjelmiston versio ja päivitä se tarvittaessa seuraavasti: mene PC:llä osoitteeseen <https://support.thrustmaster.com>, valitse **Racing wheels / TSS HANDBRAKE**, sitten **Firmware** ja seuraa sen jälkeen ohjeita, joissa kuvataan lataus- ja asennustoimet.

## EDISTYNYT KALIBROINTISOVELLUS

TSS HANDBRAKEN kalibroittoimet ovat automaattisia.

Edistynyt kalibroitsovellus on saatavilla PC:lle osoitteessa <https://support.thrustmaster.com>: valitse **Racing Wheels** / TSS HANDBRAKE ja sitten **Software**. Voit tämän ohjelmiston avulla säätää seuraavia asioita:

- KÄSIJARRU-tilan analoginen liikkumismatka;
- SEKVENTAALIVAIHDE-tilan analoginen liikkumismatka.

Kun asetukset on säädetty, ne tallennetaan välittömästi TSS HANDBRAKEN sisäiseen muistiin ja ovat täten käytössä kaikissa peleissäsi, oli kyseessä sitten PC, PS4™ tai Xbox One®.

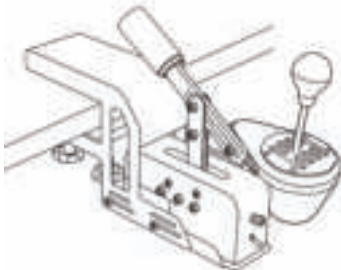
## VIHJEET JA VINKIT (eivät sisälly tähän käyttöohjeeseen)

<https://support.thrustmaster.com>-verkkosivustolta saa monia vihjeitä ja vinkkejä: valitse Racing Wheels / TSS HANDBRAKE.

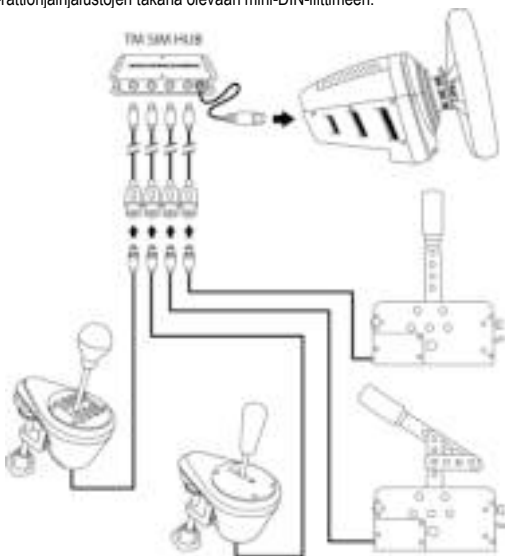
## EKOSYSTEEMI

TSS HANDBRAKE on yhteensopiva myös muiden erikseen myytävien lisälaitteiden kanssa:

\* **TM RACING CLAMP:** Tukeva kiinnike, jonka avulla pelaajat voivat kiinnittää TSS Handbraken ja TH8A-vaihteiston suoraan pöytään ilman ohjaamon tarvetta.



\* **TM SIM HUB:** Hubi sallii käyttäjien yhdistää yhtäaikaisesti jopa neljä lisälaitetta suoraan yhteensopivien Thrustmaster-rattiohjainjalustojen takana olevaan mini-DIN-liittimeen.





## KULUTTAJAN TAKUUTIEDOT

Maailmanlaajuinen, Guillemot Corporation S.A., jonka rekisteröity toimisto sijaitsee osoitteessa Place du Granier, B.P. 97143, 35571 Chantepie, France (tästä eteenpäin "Guillemot"), takaa asiakkaalle, että tämä Thrustmaster-tuote on materiaaleista ja työn laadusta johtuvista vioista vapaa takuujan verran. Kaikki toimet sen noudattamiseksi on nostettava tämän aikarajan sisällä. Euroopan Union jäsenvaltioissa se vastaa kahta (2) vuotta Thrustmaster-tuotteen toimituksesta. Muissa maissa takuu-aika vastaa Thrustmaster-tuotteen noudattamisvaatimusten aikarajaa sen maan asiaankuuluvien lakien mukaisesti, jonka asukas kuluttaja oli Thrustmaster-tuotteen ostopäivänä (mikäli kyseisessä maassa ei ole tällaisia vaatimuksia, takuujan kesto on yksi (1) vuosi Thrustmaster-tuotteen ostopäivästä).

Yllä olevasta huolimatta ladattavilla akuilla on kuuden (6) kuukauden takuu ostopäivästä lähtien.

Mikäli tuote vaikuttaa takuujan aikana vialliselta, ota välittömästi yhteyttä tekniseen tukeen, joka kertoo noudeettavista toimenpiteistä. Jos vika vahvistetaan, tuote täytyy palauttaa sen ostopaikkaan (tai muuhun teknisen tuen osoittamaan paikkaan).

Tämän takuun puitteissa kuluttajan viallinen tuote joko korvataan uudella tai palautetaan toimintakuntoon teknisen tuen valinnan mukaan. Jos takuujan aikana Thrustmaster-tuotteelle tehdään korjaustoimia, mikä tahansa vähintään seitsemän (7) päivää kestänyt jakso, jolloin tuote ei ole käytettävissä, lisätään jäljellä olevaan takuu-aikaan (jakso alkaa siitä päivästä, kun asiakas pyytää tukitoimia tai kun kyseessä oleva tuote luovutetaan korjattavaksi, mikäli korjaukseen luovuttamisen päivämäärä on myöhäisempi kuin tukitoimipyynnön). Mikäli asiaankuuluva laki sen sallii, Guillemotin ja sen tytäryhtiöiden täysi vastuuvollisuus (mukaan lukien välilliset vahingot) rajoittuvat Thrustmaster-tuotteen toiminnan palauttamiseen tai sen korvaamiseen uudella. Mikäli asiaankuuluva laki sen sallii, Guillemot kiistää kaikki takuut tuotteen myytyvyydestä tai sopivuudesta tiettyyn tarkoitukseen.

Tämä takuu ei ole voimassa: (1) mikäli tuotetta on muokattu, avattu, muunneltu tai se on kärsinyt vahinkoa epäasiallisen tai huonon käytön, huolimattomuuden, onnettomuuden, tavallisen kulumisen tai minkä tahansa muun syyn johdosta, joka ei liity materiaali- tai valmistusvirheisiin (mukaan lukien, mutta rajoittumatta, Thrustmaster-tuotteen yhdistäminen epäsopivan osan kanssa, erityisesti virtalähteet, ladattavat akut, laturit tai muut tuotteet, joita Guillemot ei ole toimittanut tälle tuotteelle); (2) mikäli tuotetta on käytetty missä tahansa muussa kuin kotikäytössä, mukaan lukien ammattimaisessa tai kaupallisessa käytössä (esim. pelihuoneet, koulutus ja kilpailut); (3) mikäli vian ilmetessä teknisen tuen ohjeita ei ole noudatettu; (4) ohjelmistojen kohdalla, kyseisellä ohjelmistolla on erillinen takuu; (5) käyttöesineiden kohdalla (tuotteen eliniän aikana vaihdettavat osat: esim. kertakäyttöiset paristot, kuulokkeet tai kuuloketyyny); (6) lisälaitteiden kohdalla (esim. kaapelit, kotelot, pussit, laukut ja rannekkeet); (7) mikäli tuote myytiin julkisessa huutokaupassa.

Tätä takuuta ei voi siirtää.

Tämä takuu ei vaikuta kuluttajan laillisiin oikeuksiin hänen maassaan, mitä tulee kuluttajatuotteiden myyntiin.

## Ylimääräiset takuehdot

Takuuajan aikana Guillemot ei lähtökohtaisesti tarjoa varaosia, sillä tekninen tuki on ainoa osapuoli, joka on valtuutettu avaamaan ja/tai korjaamaan Thrustmaster-tuotteita (pois lukien sellaiset korjaustoimet, joita tekninen tuki saattaa pyytää kuluttajaa tekemään kirjallisten ohjeiden kautta – esimerkiksi korjaustoimen yksinkertaisuuden ja salassapitotarpeiden puuttumisen vuoksi – ja toimittamalla kuluttajalla vaadittavat varaosat, jos ne ovat tarpeellisia).

Innovaatiosykleistä johtuen ja suojellakseen tietotaitoaan sekä liikesalaisuuksiaan Guillemot ei lähtökohtaisesti tarjoa mitään tai varaosia Thrustmaster-tuotteille, joiden takuu-aika on umpeutunut.

Yhdysvalloissa ja Kanadassa tämä takuu rajoittuu tuotteen sisäisiin mekanismeihin ja ulkoisiin koteloihin. Guillemotia ja sen osakkuusyrityitä ei missään tilanteessa saa pitää vastuuvollisena kolmannelle osapuolelle välillisistä tai satunnaisista vahingoista, jotka ovat johtuneet nimenomaisten tai epäsuorien takuiden rikkomuksesta. Jotkin osavaltiot/provinssit eivät salli rajoituksia epäsuorien takuiden kesto- tai korvausvelvollisuuden rajauksia tai rajoituksia välillisissä tai satunnaisissa vahingoissa, joten yllä olevat rajoitukset ja rajaukset ei välttämättä päde kohdallasi. Tämä takuu antaa sinulle tiettyjä laillisia oikeuksia, ja sinulla saattaa olla muita osavaltioista (tai maasta tai provinssista) riippuvia oikeuksia.

## Vastuuvollisuus

Mikäli asiaankuuluva laki sen sallii, Guillemot Corporation S.A. (tästä eteenpäin "Guillemot") ja sen tytäryhtiöt kiistävät vastuunsa kaikista vahingoista, jotka johtuvat yhdestä tai useammasta seuraavasta: (1) tuotetta on muokattu, avattu tai muunneltu; (2) kokoamisohjeita ei ole noudatettu; (3) epäasiallisen tai huonon käytön, huolimattomuuden tai onnettomuuden (esim. isku) johdosta; (4) tavallisen kulumisen johdosta; (5) tuotetta on käytetty missä tahansa muussa kuin kotikäytössä, mukaan lukien ammattimaisessa tai kaupallisessa käytössä (esim. pelihuoneet, koulutus ja kilpailut). Mikäli asiaankuuluva laki sen sallii, Guillemot ja sen tytäryhtiöt kiistävät vastuunsa kaikista vahingoista, jotka eivät liity tuotteen materiaali- tai valmistusvirheisiin (mukaan lukien, mutta rajoittumatta, ohjelmiston suoraan tai epäsuoraan aiheuttamat vahingot, tai yhdistämällä Thrustmaster-tuote minkä tahansa epäsovikkaan osan kanssa, mukaan lukien tietyt virtalähteet, ladattavat akut, laturit tai muut osat, joita Guillemot ei ole toimittanut tälle tuotteelle).

**THRUSTMASTER®**

**TEKNINEN TUKI**

<http://support.thrustmaster.com>



## TEKIJÄNOIKEUS

© 2019 Guillemot Corporation S.A. Kaikki oikeudet pidätetään. Thrustmaster® on Guillemot Corporation S.A.:n rekisteröity tavaramerkki. PlayStation® on Sony Interactive Entertainment Inc.:n rekisteröity tavaramerkki. Windows® on Microsoft Corporationin rekisteröity tavaramerkki Yhdysvalloissa ja/tai muissa maissa. Sparco on Sparco S.p.A.:n rekisteröity tavaramerkki. Kaikki muut tavaramerkit ja tuotenimet ovat täten tunnustettuja ja haltijoidensa omaisuutta. Kuvitukset eivät ole sitovia. Sisältö, mallit ja tavaraselosteet voivat muuttua ilman erillistä ilmoitusta ja vaihdella maasta toiseen. Guillemot Corporation S.A.:n valmistama ja jakama Sparco S.p.A.:n lisenssin alaisesti. Valmistettu Kiinassa.

## YMPÄRISTÖNSUOJELUSUOSITUS



Euroopan unionissa: Käyttöikänsä päätyttyä tätä tuotetta ei pidä laittaa kodin sekajätteeseen, vaan se tulee viedä sähkö- ja elektroniikkalaiteromun (SER/WEEE) keräyspisteeseen kierrätettäväksi.

Tämä vahvistetaan tuotteesta, käyttöohjeesta sekä pakkauksesta löytyvällä symbolilla. Ominaisuuksistaan riippuen materiaalit voidaan kierrättää. Voit kierrätyksen ja muun sähkö- ja elektroniikkaromun käsittelyn avulla auttaa merkittävästi ympäristön suojelussa.

Ota yhteyttä paikallisiin viranomaisiin saadaksesi tietoa lähimmästä keräyspisteestä. Muissa maissa: Noudata paikallisia sähkö- ja elektroniikkaromun kierrätyslakeja.

Pidä nämä tiedot tallessa. Värit ja koristeet voivat vaihdella. Muoviset kiinnittimet ja tarrat tulee poistaa ennen tuotteen käyttöä.

[www.thrustmaster.com](http://www.thrustmaster.com)

\* Voimassa vain EU:ssa ja Turkissa

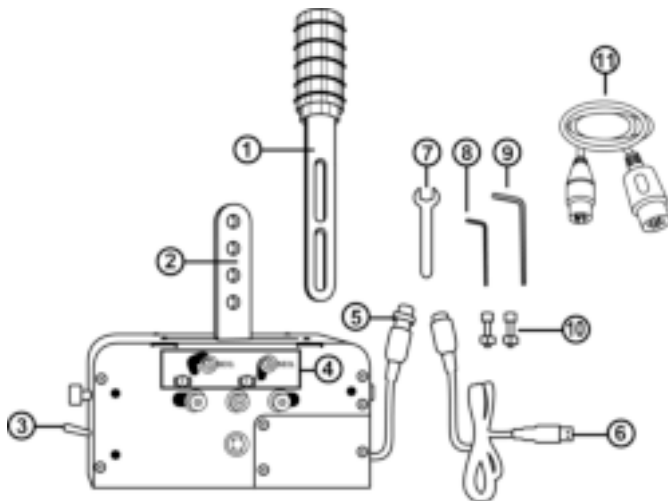


# TSS HANDBRAKE+

## sparco® Mod

PC – PS4™ – Xbox One®

### Návod na použitie



### TECHNICKÉ PARAMETRE

- 1 Odpojiteľná páka (*prednastavená nenaštalovaná*)
- 2 Ramená pre pripojenie páky
- 3 Prepínač RUČNÁ BRZDA / SEKVENČNÁ PÁKA
- 4 Mechanický systém prepínania (medzi módmí RUČNÁ BRZDA a SEKVENČNÁ PÁKA)
- 5 Kábel DIN a zásuvka na základňu
- 6 Odpojiteľný DIN / USB konektor
- 7 13 mm kľúč
- 8 3 mm imbusový kľúč
- 9 6 mm imbusový kľúč
- 10 2 BTR M8 skrutky + 2 M8 matice
- 11 Odpojiteľný kábel mini-DIN / DIN

## UPOZORNENIE

Pred použitím tohto výrobku si pozorne prečítajte tento návod. Uschovajte tento návod pre budúce použitie.



### **Upozornenie – Elektrický šok**

- \* Tento výrobok uchovávajte na suchom mieste a nevystavujte ho prachu ani slnečnému žiareniu.
- \* Rešpektujte smer vkladania konektorov.
- \* Konektory a káble netočte, ani ich neťahajte.
- \* Výrobok ani jeho konektor nepolejte tekutinou.
- \* Výrobok neskratujte.
- \* Tento výrobok nerozoberajte (okrem možných úprav popísaných v tomto návode), nepokúšajte sa výrobok spáliť a výrobok nevystavujte vysokým teplotám.



### **Upozornenie – Zranenia spôsobené opakovanými pohybmi**

Používanie radiacej páky alebo ručnej brzdy môže mať za následok bolesti svalov a kĺbov. Ak chcete predísť problémom:

- \* Vyhnite sa hraniu počas dlhšej doby.
- \* Po každej hodine hrania si spravte 10 až 15 minútovú prestávku.
- \* Ak sa u Vás prejaví únava alebo bolesť v rukách, zápästiach alebo pleciach, prestaňte hrať a niekoľko hodín odpočívajte, kým začnete hrať znovu.
- \* Ak príznaky alebo bolesti opísané vyššie pretrvávajú aj po pokračovaní v hraní, prestaňte hrať a poraďte sa so svojim lekárom.
- \* Skontrolujte, či je základňa TSS HANDBRAKE správne namontovaná, ako je popísané v pokynoch uvedených v tomto návode.



### **Upozornenie – Riziko privretia v otvoroch nastavca radenia**

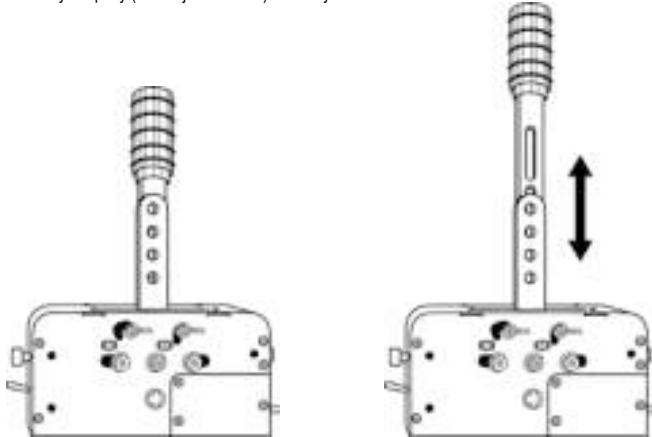
- \* Držte mimo dosahu detí.
- \* Pri hraní hry nikdy nedávajte prsty (alebo iné časti tela) do otvorov na nastavci radenia TSS HANDBRAKE.

**NIKDY**

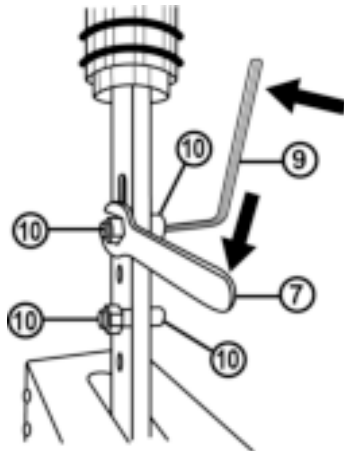


## INŠTALÁCIA ODPOJITELNEJ PÁKY (1) NA PRIPOJOVACIE RAMENÁ (2)

1. Zasuňte odnímateľnú páku (1) medzi pripojovacie ramená (2).
2. Nastavte želanú výšku páky.  
Celková výška páky (zahrňujúca hlavicu) môže byť nastavená medzi hodnotami 21 cm a 30 cm.



3. Pripojte páku k ramenám použitím 2 skrutiek BTR M8 (10), 2 matíc M8 (10) a 6 mm imbusového kľúča (9).

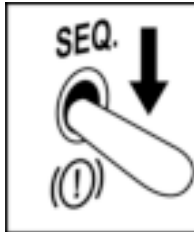


## NASTAVENIE MÓDU RUČNEJ BRZDY

Prednastavene (po vybalení zariadenia) je TSS HANDBRAKE nakonfigurovaná do módu RUČNEJ BRZDY

1. Prepínač RUČNÁ BRZDA / SEKVENČNÁ PÁKA (3) je spustený dolu na pozíciu módu RUČNEJ BRZDY.

Predná strana základne

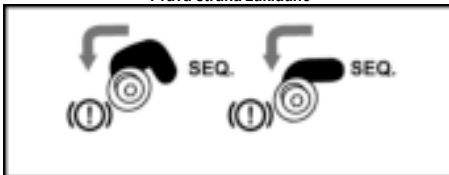


2. Mechanický systém, ktorý umožňuje prepnutie z módu RUČNEJ BRZDY do módu SEKVENČNÁ PÁKA (4), je prednastavený v polohe RUČNÁ BRZDA.

Ľavá strana základne



Pravá strana základne



## NASTAVENIE MÓDU SEKVENČNÁ PÁKA

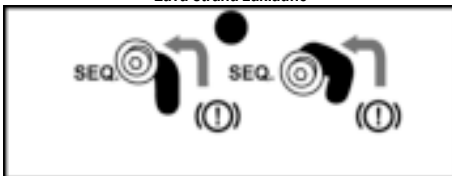
1. Prepnite prepínač RUČNÁ BRZDA / SEKVENČNÁ PÁKA (3) hore do pozície módu SEKVENČNÁ PÁKA.

Predná strana základne



2. Na prepnutie z módu RUČNEJ BRZDY na mód SEKVENČNEJ PÁKY (4), použite 3 mm imbusový kľúč (8) pre mierne odskrutkovanie skrutiek mechanického systému (2 skrutky sa nachádzajú na každej strane základne).
3. Presuňte tieto 4 skrutky (2 skrutky sa nachádzajú na každej strane základne) na pozíciu SEQ.

Ľavá strana základne



Pravá strana základne



4. Skontrolujte, či sú tieto 4 skrutky (2 na každej strane základne) úplne premiestnené a potom ich utiahnite pomocou 3 mm imbusového kľúča (8).



## INŠTALÁCIA TSS HANDBRAKE

TSS HANDBRAKE môže byť pripevnená na rôzne kompatibilné podstavce (predávané samostatne) pomocou závitových otvorov M6 umiestnených na oboch stranách zariadenia a pod jeho základňou:

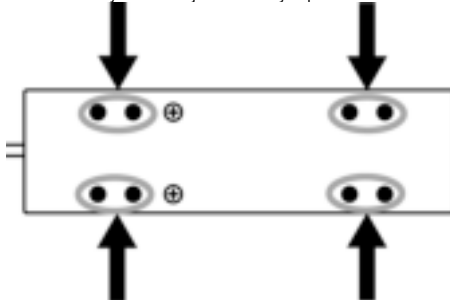
- 3 závitové otvory sú umiestnené na ľavej strane základne.



- 3 závitové otvory sú umiestnené na pravej strane základne.



- 8 závitových otvorov je umiestnených pod základňou.



Návod na inštaláciu TSS HANDBRAKE do kokpitu je k dispozícii na web stránke <https://support.thrustmaster.com>. Vyberte Racing Wheels (Pretekárske volanty) / TSS HANDBRAKE, a potom Template (Vzor) – Cockpit Setup (Nastavenie v kokpíte).

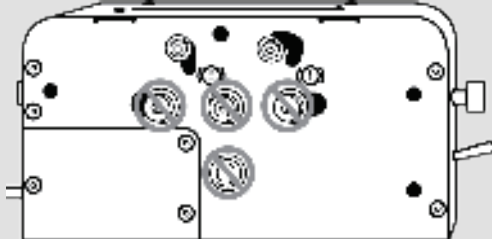
## **! TIETO SKRUTKY NEZAŤAHUJTE ANI NEUVOĽŇUJTE !**

S výnimkou skrutiek týkajúcich sa mechanického systému, ktorý sa používa na prepnutie z módu RUČNEJ BRZDY do módu SEKVENČNÁ PÁKA (4), nikdy nezaťahujte ani neuvolňujte žiadne skrutky umiestnené na základni TSS HANDBRAKE.

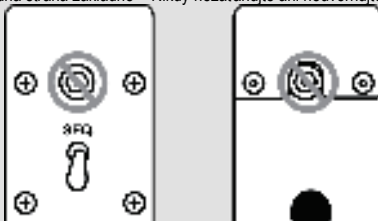
Lavá strana základne = Nikdy nezaťahujte ani neuvolňujte tieto skrutky:



Pravá strana základne = Nikdy nezaťahujte ani neuvolňujte tieto skrutky:



Predná a zadná strana základne = Nikdy nezaťahujte ani neuvolňujte tieto skrutky:



## NÁVOD NA INŠTALÁCIU PRE PC

1. Prejdite na stránku <https://support.thrustmaster.com> a stiahnite si ovládače pre PC.

Vyberte položku Racing Wheels (Pretekárske volanty) / TSS HANDBRAKE, potom vyberte Drivers (Ovládače).

2. Po dokončení sťahovania spustíte inštaláciu programu a postupujte ďalej podľa pokynov na obrazovke.

3. Keď vás k tomu vyzve inštalácia programu, pripojte TSS HANDBRAKE k jednému z USB portov Vášho PC pomocou odnímateľného DIN / USB konektora (6) a dokončíte inštaláciu ovládača.

4. Po dokončení inštalácie kliknite na tlačidlo Dokončiť a reštartujte počítač.

5. Vyberte ponuku Štart / Všetky programy / Thrustmaster / Radiaca páka TH8 / Ovládací panel a otvorte okno Herné ovládače.

Okno Herné ovládače zobrazuje názov **TSS HANDBRAKE Sparco® Mod** so stavom OK.

6. Kliknutím na položku Vlastnosti zobrazíte TSS HANDBRAKE v Ovládacom Paneli systému Windows:



**Ak je TSS HANDBRAKE pripojená k portu USB na PC pomocou odnímateľného DIN / USB konektora (6), TSS HANDBRAKE je kompatibilná:**

- s módom RUČNÁ BRZDA [Progresívna] a s módom SEKVENČNÁ PÁKA [+/-];
- vo všetkých hrách podporujúcich multi-USB, samostatné ručné brzdy a radiace páky;
- so všetkými pretekárskymi volantami na trhu.

**Ak je TSS HANDBRAKE pripojená k zadnej časti základne pretekárskeho volantu Thrustmaster pomocou odnímateľného mini-DIN / DIN kábla (11), TSS HANDBRAKE je kompatibilná:**

- iba s módom SEKVENČNÁ PÁKA [+/-];
- vo všetkých hrách (keďže TSS HANDBRAKE je na volantoch kombinovaná s radiaciami pákami pre radenie HORE a DOLE);
- s iba kompatibilnými základňami pretekárskych volantov Thrustmaster (TS-PC Racer, T-GT, T300, TS-XW Racer a TX).



**DÔLEŽITÉ:** musíte aktualizovať firmware Vašej základne pretekárskeho volantu (TS-PC Racer, T-GT, T300, TS-XW Racer a TX) na najnovšiu verziu dostupnú na stránke <https://support.thrustmaster.com/> , aby ste boli schopní pripojiť TSS HANDBRAKE k základni pretekárskeho volantu.

## **Všeobecné poznámky pre PC:**

- \* Nezabudnite vždy úplne zatvoriť okno Herné ovládače kliknutím na tlačidlo OK pred začatím hry.
- \* Verzia firmware TSS HANDBRAKE sa zobrazí v pravej hornej časti záložiek Ovládacieho Panela.
- \* Ak sa rozhodnete použiť pripojenie USB, odporúčame pripojiť Váš pretekársky volant a zariadenie TSS HANDBRAKE priamo do portov USB 2.0 (nie USB 3.0) počítača bez použitia rozbočovača.
- \* Niektoré hry umožňujú používať 2 zariadenia TSS HANDBRAKE súčasne:
  - 1 TSS HANDBRAKE nakonfigurovaný v móde RUČNÁ BRZDA;
  - 1 TSS HANDBRAKE v móde SEKVENČNÁ PÁKA.

## INŠTALÁCIA NA PS4™ A XBOX ONE®

Na PS4™ a Xbox One® je TSS HANDBRAKE kompatibilná s nasledujúcimi základňami pretekárskych volantov:

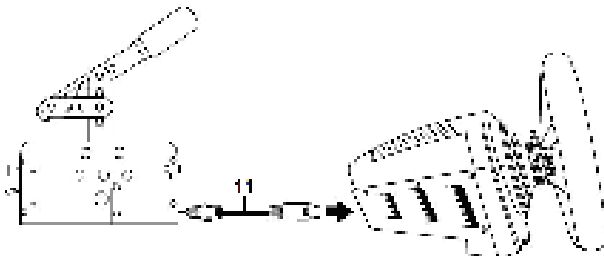
- Thrustmaster T-GT a T300 na PS4™
- Thrustmaster TS-XW Racer a TX na Xbox One®



**IMPORTANT:** Pre zabezpečenie optimálneho výkonu TSS HANDBRAKE na PS4™ a Xbox One®, musíte aktualizovať firmware Vašej základne pretekárskeho volantu (T-GT, T300, TS-XW Racer alebo TX) na najnovšiu verziu dostupnú na <https://support.thrustmaster.com/>.

### Inštalácia:

1. Pomocou odnímateľného mini-DIN / DIN kábla (**11**) pripojte TSS HANDBRAKE priamo do zásuvky mini-DIN, ktorá sa nachádza na zadnej strane základne Vášho pretekárskeho volantu.



2. Pripojte pretekársky volant ku konzole.

TERAZ STE PRIPRAVENÝ HRÁŤ!

### Všeobecné poznámky k PS4™ a Xbox One®:

- Nikdy nepoužívajte a nepripájajte odpojiteľný DIN / USB konektor (**6**) na PS4™ a Xbox One®. TSS HANDBRAKE musí byť vždy pripojená ku kompatibilnej základni pretekárskeho volantu Thrustmaster a nie ku konzole.

- Keď je TSS HANDBRAKE pripojená ku kompatibilnej základni pretekárskeho volantu Thrustmaster:

- Mód SEKVENČNÁ PÁKA [+/-] funguje vo všetkých hrách, keďže je kombinovaný s volantovými radiacimi pákami pre radenie HORE a DOLE.

- Mód RUČNÁ BRZDA [Progresívna] funguje v hrách, ktoré podporujú funkciu ručnej brzdy\*.

\* Zoznam hier na PS4™ a Xbox One® kompatibilných s ručnými brzdami je dostupný na stránke <https://support.thrustmaster.com/>. V sekcii **Racing Wheels (Pretekárske volanty)** vyberte **TM SIM HUB** alebo **TSS Handbrake Sparco® Mod**.

## SÚHRN PRIPOJENIA TSS HANDBRAKE PODĽA POUŽITEJ PLATFORMY

PRIPOJENIE TSS HANDBRAKE	
<b>PC</b> (Mód RUČNÁ BRZDA a mód SEKVENČNÁ PÁKA)	Na PC použitím odpojiteľného DIN / USB konektora <b>(6)</b> . Kompatibilná so všetkými pretekárskymi volantami na trhu.
<b>PC</b> (Iba mód SEKVENČNÁ PÁKA)	Na zadnej strane kompatibilnej pretekárskej volantovej základne Thrustmaster použitím odpojiteľného mini-DIN / DIN kábla <b>(11)</b> .
<b>PS4™</b> (Mód RUČNÁ BRZDA a mód SEKVENČNÁ PÁKA)	Na zadnej strane kompatibilnej pretekárskej volantovej základne Thrustmaster použitím odpojiteľného mini-DIN / DIN kábla <b>(11)</b> .
<b>XBOX ONE®</b> (Mód RUČNÁ BRZDA a mód SEKVENČNÁ PÁKA)	Na zadnej strane kompatibilnej pretekárskej volantovej základne Thrustmaster použitím odpojiteľného mini-DIN / DIN kábla <b>(11)</b> .

## AKTUALIZÁCIA FIRMWARE PRE TSS HANDBRAKE

Firmware obsiahnutý v základni TSS HANDBRAKE je možné aktualizovať (to znamená, že môže byť aktualizovaný na novšiu verziu, ktorá obsahuje vylepšenia produktu).

Ak chcete zobraziť verziu firmware TSS HANDBRAKE a aktualizovať ju, ak je to potrebné: na PC prejdite na stránku <https://support.thrustmaster.com>, vyberte položku **Racing Wheels (Pretekárske Volanty) / TSS HANDBRAKE**, potom vyberte položku **Firmware** a postupujte podľa pokynov počas sťahovania súboru a inštalácie.

## POKROČILÝ KALIBRAČNÝ SOFTVÉR

Procedúra kalibrácie TSS HANDBRAKE je automatická.

Pokročilá kalibračná softvérová aplikácia pre PC je tiež k dispozícii na adrese <https://support.thrustmaster.com>: vyberte Racing Wheels (Pretekárske Volanty) / TSS HANDBRAKE, potom Software. Tento softvér vám umožňuje nastaviť nasledovné:

- Analógový pohyb v móde RUČNEJ BRZDY;
- Analógové pohyb v móde SEKVENČNEJ PÁKY.

**Hneď po vykonaní zmien v nastavení sa zmeny okamžite uložia do vnútornej pamäte zariadenia TSS HANDBRAKE a budú preto účinné vo všetkých Vašich hrách, či už na PC, PS4™ alebo Xbox One®.**

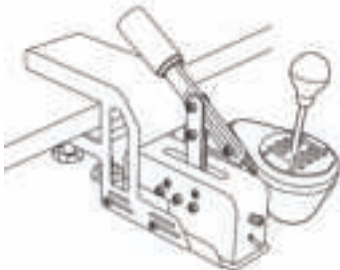
### TIPY & RADY (nie sú súčasťou tohto návodu)

Rôzne typy a rady sú k dispozícii na stránke <https://support.thrustmaster.com>; vyberte Racing Wheels (Pretekárske Volanty) / TSS HANDBRAKE.

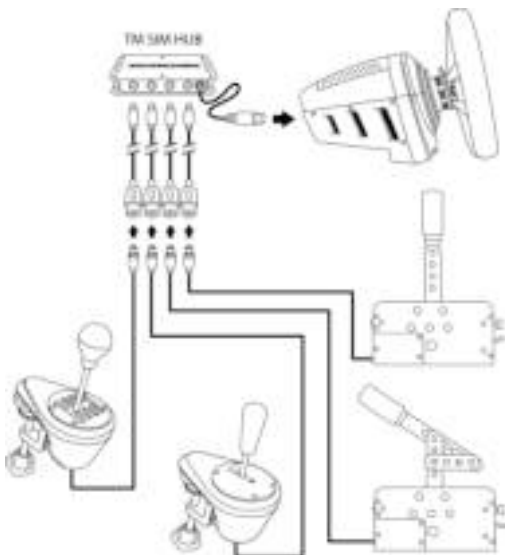
## EKOSYSTÉM

TSS HANDBRAKE je tiež kompatibilná s iným príslušenstvom, ktoré sa predáva samostatne:

\* **TM RACING CLAMP**: robustný oporný držiak, ktorý umožňuje hráčom bezpečne upevniť svoju TSS HANDBRAKE a svoju radiacu páku TH8A priamo na stól alebo policu, bez potreby kokpitu.



\* **TM SIM HUB**: rozbočovač, ktorý umožňuje používateľom súčasne pripojiť až štyri zariadenia priamo do konektora mini-DIN umiestneného na zadnej strane kompatibilných základní pretekárskych volantov Thrustmaster.





## INFORMÁCIE O ZÁRUKU

Celosvetovo, spoločnosť Guillemot Corporation S.A., ktorej sídlo sa nachádza na adrese Place du Granier, B.P. 97143, 35571 Chantepie, Francúzsko (ďalej len "Guillemot") zaručuje spotrebiteľovi, že počas záručnej doby, ktorá je zhodná s časovým limitom na podanie reklamácie na tento produkt, tento Thrustmaster produkt nemá materiálne chyby ani výrobné chyby.

V krajinách Európskej únie záručná doba zodpovedá obdobiu dvoch (2) rokov od dodania produktu Thrustmaster. V iných krajinách zodpovedá záručná doba lehote pre podanie reklamácie na produkt Thrustmaster podľa platných zákonov krajiny, v ktorej mal spotrebiteľ bydlisko k dátumu kúpy produktu Thrustmaster (ak takýto zákon v príslušnej krajine neexistuje, potom je záručná doba jeden (1) rok od pôvodného dátumu zakúpenia produktu Thrustmaster).

Bez ohľadu na vyššie uvedené, sa na nabíjateľné batérie vzťahuje záručná doba šiestich (6) mesiacov od dátumu nákupu.

Ak počas záručnej doby dôjde na produkte ku chybe, okamžite kontaktujte Technickú podporu, ktorá Vám oznámi ďalší postup. Ak je chyba potvrdená, produkt musí byť vrátený v mieste jeho nákupu (alebo na inom mieste uvedenom Technickou podporou).

V kontexte tejto záruky má Technická podpora možnosť rozhodnúť, či bude chybný produkt spotrebiteľa buď vymenený alebo opravený do funkčného stavu. Ak v priebehu záručnej doby podlieha produkt Thrustmaster takejto oprave, každá doba najmenej siedmich (7) dní, počas ktorých je výrobok nepoužiteľný, bude doplnená do zostávajúcej záručnej doby (toto obdobie začína plynúť od dátumu žiadosti spotrebiteľa alebo dátumom, kedy je daný výrobok dodaný na opravu, ak je dátum, kedy je výrobok dodaný na opravu po dátume podania žiadosti). Ak to umožňujú platné právne predpisy, plná zodpovednosť spoločnosti Guillemot a jej dcérskych spoločností (vrátane následných škôd) je obmedzená na návrat produktu do funkčného stavu alebo na výmenu produktu Thrustmaster. Ak to dovoľuje platné právo, spoločnosť Guillemot neposkytuje záruku obchodovateľnosti a spôsobilosti pre určité použitie.

Táto záruka sa nevzťahuje na: 1. ak bol výrobok opravený, otvorený, pozmenený alebo poškodený v dôsledku nevhodného alebo hrubého používania, nedbanlivosti, nehody, bežného opotrebenia, alebo akejkolvek inej príčiny nesúvisiacej s materiálnoú alebo výrobnou chybou (vrátane, nie však výlučne, kombinácie výrobku Thrustmaster s akýmkoľvek nevhodným prvkom, vrátane napájacích zdrojov, nabíjateľných batérií, nabíjačiek, alebo iných prvkov, ktoré Guillemot nedodáva pre tento výrobok); (2) ak bol výrobok použitý na akékoľvek iné použitie ako na domáce použitie, a to aj na profesionálne, alebo komerčné účely (napríklad herne, školenia, súťaže); (3) v prípade nedodržania pokynov poskytnutých Technickou podporou; (4) softvér, pričom uvedený softvér podlieha osobitnej záruke; (5) spotrebné materiály (prvky, ktoré sa majú vymeniť počas životnosti výrobku: napríklad jednorazové batérie, zvukové súpravy alebo slúchadlá); (6) na príslušenstvo (napríklad káble, puzdρά, vrecká, tašky, popruhy na zápästie); (7) ak bol výrobok predaný vo verejnej dražbe.

Táto záruka nie je prenosná.

Zákonné práva spotrebiteľa, pokiaľ ide o zákony platné pre predaj spotrebného tovaru v jeho alebo jej krajine, nie sú touto zárukou ovplyvnené.

### Ďalšie záručné ustanovenia

Počas záručnej lehoty, Guillemot neposkytuje žiadne náhradné diely, vzhľadom na skutočnosť, že Technická podpora je jediná strana oprávnená otvoriť a/alebo opraviť akýkoľvek Thrustmaster produkt (Výnimkou je prípadné požiadanie Technickej podpory o nasledovanie písomných pokynov na opravy, ktoré má vykonať užívateľ - napríklad pre ich jednoduchosť a dostupné opravné postupy – a v prípade potreby dodanie náhradných dielov užívateľovi).

Kvôli inovačným cyklom a vzhľadom na ochranu know-how a obchodného tajomstva spoločnosti, Guillemot neposkytuje opravné postupy alebo náhradné diely na Thrustmaster produkty po uplynutí ich záručnej lehoty.

V Spojených štátoch amerických a v Kanade je táto záruka obmedzená na vnútorný mechanizmus výrobku a vonkajší kryt produktu. Guillemot ani jeho pridružené spoločnosti v žiadnom prípade nenesú zodpovednosť voči akejkol'vek tretej strane za priame či nepriame vady plynúce z porušenia podmienok záruky. V niektorých krajinách, kde nie je prípustné obmedzenie alebo vylúčenie nepriamych škôd, či obmedzenie trvania záruk a podmienok, vyššie uvedené vylúčenie neplatí. Touto zárukou sú užívateľovi poskytnuté špecifické práva spolu s právami plynúcimi z právnej úpravy jednotlivých krajín.

### Zodpovednosť

Ak to dovoľujú platné zákony, spoločnosť Guillemot Corporation S.A. (ďalej len "Guillemot") a jej dcérske spoločnosti nenesú žiadnu zodpovednosť za akékoľvek škody spôsobené jedným alebo viacerými z nasledujúcich prípadov: 1. výrobok bol upravený, otvorený alebo pozmenený; (2) nedodržali sa montážne inštrukcie; (3) nevhodné alebo hrubé používanie, nedbalosť, nehoda (napríklad náraz); (4) bežné opotrebenie; (5) používanie výrobku na akékoľvek iné použitie ako na domáce použitie, a to aj na profesionálne, alebo komerčné účely (napríklad herne, školenia, súťaže). Ak to dovoľujú platné zákony, spoločnosť Guillemot a jej dcérske spoločnosti nenesú žiadnu zodpovednosť za akékoľvek škody, ktoré nesúvisia s materiálnou alebo výrobnou vadou vo vzťahu k výrobku (vrátane, nie však výlučne, za akékoľvek škody spôsobené priamo alebo nepriamo akýmkoľvek softvérom, alebo kombinácie výrobku Thrustmaster s akýmkoľvek nevhodným prvkom, vrátane napájacích zdrojov, nabíjateľných batérií, nabíjačiek alebo iných prvkov, ktoré Guillemot nedodáva pre tento výrobok).

**THRUSTMASTER®**

**TECHNICKÁ PODPORA**

<https://support.thrustmaster.com>



## COPYRIGHT

© 2019 Guillemot Corporation S.A. Všetky práva vyhradené. Thrustmaster® je registrovanou ochrannou známkou spoločnosti Guillemot Corporation S.A. PlayStation® är ett registrerat varumärke som tillhör Sony Interactive Entertainment Inc. Windows® är ett registrerat varumärke som tillhör Microsoft Corporation i USA och/eller andra länder. Sparco je registrovanou ochrannou známkou spoločnosti Sparco S.p.A. Každé ďalšie registrované ochranné známky sú majetkom ich príslušných vlastníkov. Obrázky nie sú záväzné. Obsah, dizajn a špecifikácie sa môžu zmeniť bez predchádzajúceho upozornenia a môžu sa v jednotlivých krajinách líšiť. Vyrobené a distribuované spoločnosťou Guillemot Corporation S.A. pod oficiálnou licenciou od spoločnosti Sparco S.p.A. Vyrobené v Číne.

## ODPORÚČANIE PRE OCHRANU ŽIVOTNÉHO PROSTREDIA



\* V Európskej únii: Na konci svojej životnosti by sa nemal tento produkt vyhodit' s bežným domovým odpadom, ale mal by byť odovzdaný na recykláciu v zberom mieste na likvidáciu odpadu z elektrických a elektronických zariadení. Potvrdzujúci symbol o recyklácii nájdete na produkte, na návode na použitie alebo na obale. V závislosti od ich vlastností, môžu byť materiály recyklované. Prostredníctvom recyklácie a iných foriem spracovania odpadu z elektrických a elektronických zariadení môžete významne prispieť k ochrane životného prostredia. Pre získanie informácie o pre vás najbližšom možnom mieste odovzdania, kontaktujte miestne orgány.

Pre všetky ostatné krajiny: Dodržujte miestne zákony o recyklácii elektrických a elektronických zariadení.

Ponechajte si tieto informácie. Farby a ozdobnosť sa môžu líšiť.

Plastové spony a lepiace pásky by sa mali z výrobku pred jeho použitím odstrániť.

**[www.thrustmaster.com](http://www.thrustmaster.com)**

*\*Použiteľné len pre EÚ a Turecko*

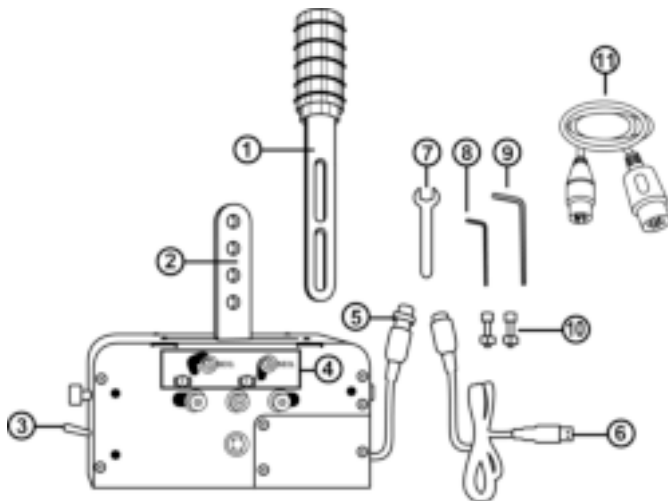


# TSS HANDBRAKE+

## sparco® Mod

PC-hez – PS4™-hez – Xbox One®-hoz

### Használati Útmutató



### TECHNIKAI LEÍRÁS

- |   |                                                                                    |    |                                     |
|---|------------------------------------------------------------------------------------|----|-------------------------------------|
| 1 | Levehető kar (szétszerelve szállítjuk)                                             | 6  | Levehető DIN csatlakozó / USB kábel |
| 2 | Rögzítőkar                                                                         | 7  | 13 mm-es csavarkulcs                |
| 3 | KÉZIFÉK / SZEKVENCIÁLIS VÁLTÓ kiválasztása                                         | 8  | 3 mm-es imbuszkulcs                 |
| 4 | Mechanikus átváltó rendszer (a KÉZIFÉK és SZEKVENCIÁLIS VÁLTÓ mód kiválasztásához) | 9  | 6 mm-es imbuszkulcs                 |
| 5 | DIN kábel és csatlakozóhévely az alapon található                                  | 10 | 2 BTR M8 csavar + 2 M8 csavaranya   |
|   |                                                                                    | 11 | Levehető mini-DIN / DIN kábel       |

## FIGYELMEZTETÉS

A termék használata előtt, figyelmesen olvassa el a használati útmutatót és tartsa meg későbbi használatra.



### **Figyelmeztetés - Áramütés veszély**

- \* Tartsa a terméket száraz helyen és ne tegye ki közvetlen napsütésnek vagy pornak.
- \* A csatlakozókat, mindig a megfelelő irányból használja.
- \* A csatlakozót vagy kábelt soha ne csavarja vagy húzza meg.
- \* A termék vagy csatlakozó, ne érintkezzen folyadékkal.
- \* Ne zárja a termék áramkörét rövidre.
- \* Ne szerelje szét a terméket (kizárólag a használati útmutatóban leírt módosításokat végezze el), ne próbálja meg a terméket elégetni és ne tegye ki magas hőmérsékletnek.



### **Figyelmeztetés – Sérülésveszély**

A váltókar vagy kézifék használata izom és ízületi fájdalmakat okozhat. A következő módon kerülheti ezeket el:

- \* Ne használja a terméket túl hosszú időn keresztül.
- \* Minden játékkal töltött óra után, iktasson be 10-15 perc szünetet.
- \* Amennyiben fájdalom jelentkezik a kezében, csuklójában vagy kézfejében, hagyja abba a játékot és pihenjen pár órán keresztül az újabb játék megkezdése előtt.
- \* Ha a fent említett tünetek a pihenés után is jelentkeznek, keresse fel háziorvosát.
- \* Ellenőrizze, hogy a TSS HANDBRAKE-et a használati utasításában leírtaknak megfelelően rögzítette.



### **Figyelmeztetés – Becsípődés veszély a váltólemez nyílásaiba**

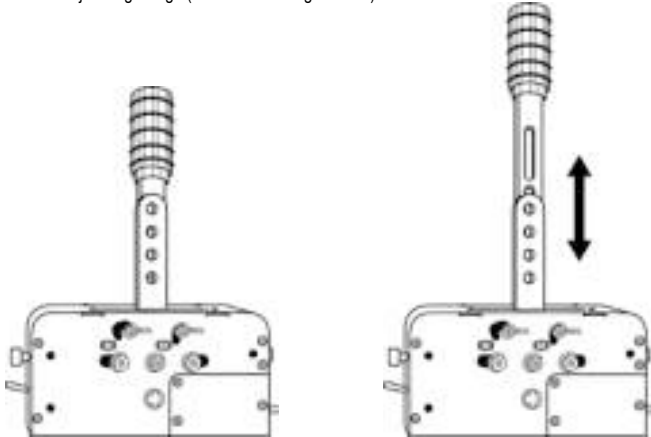
- \* Tartsa gyermekektől távol.
- \* Játék közben, soha ne tegye be az ujjait (vagy bármilyen testrészét) a TSS HANDBRAKE váltólemeze közé.

**SOHA**

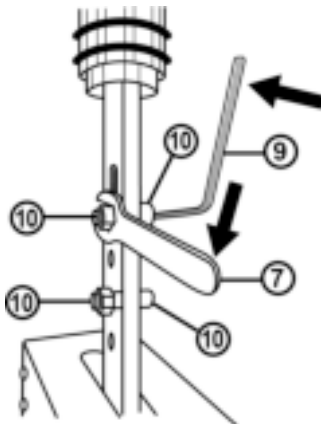


## A LEVEHETŐ KAR (1) RÖGZÍTÉSE A RÖGZÍTŐKARRA (2)

1. Csúsztassa a levehető kart (1) a rögzítőkar közé (2).
2. Állítsa be a kívánt magasságot.  
A váltókar teljes magassága (beleértve a váltógombot is) 21 és 30 cm között változhat.



3. Rögzítse a kart a rögzítőkarhoz a 2 BTR M8 csavarok (10), 2 M8 csavaranyák (10) és a 6 mm-es imbuszkulcs segítségével (9).

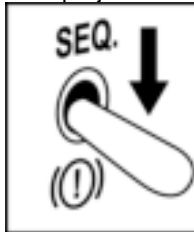


## A KÉZIFÉK MÓD BEÁLLÍTÁSA

A TSS HANDBRAKE (a kicsomagolást követően) alapértelmezettként KÉZIFÉK használati módban van.

1. A HANDBRAKE / SHIFTER kiválasztó kapcsoló (3) lefelé áll KÉZIFÉK használati módban.

Az alap elején található

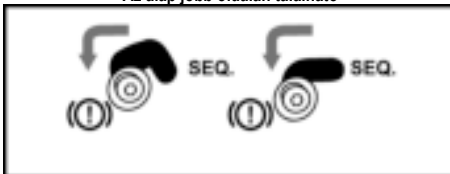


2. A mechanikus átváltó rendszer, ami a KÉZIFÉK és SZEKVENCIÁLIS VÁLTÓ MÓD (4) közötti váltást teszi lehetővé, KÉZIFÉK pozícióba van állítva.

Az alap bal oldalán található



Az alap jobb oldalán található



## A SZEKVENCIAÁLIS VÁLTÓ MÓD BEÁLLÍTÁSA

1. Nyomja fel a KÉZIFÉK / VÁLTÓ kiválasztó kapcsolót (3) SZEKVENCIAÁLIS VÁLTÁS pozícióba.

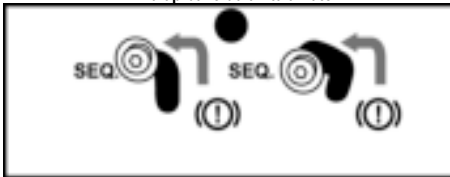
Az alap elején található



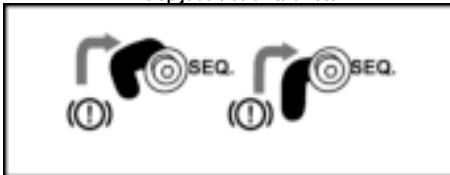
2. Ha szeretne KÉZIFÉK módból, SZEKVENCIAÁLIS VÁLTÓ módba kapcsolni (4), használja a 3 mm-es imbuszkulcsot (8) és lazán csavarozza ki a mechanikus rendszer csavarjait (2 db. csavar, az alap egy-egy oldalán külön található).

3. Mozgassa át a 4 db. csavart (2-2 oldalanként) SEQ pozícióba.

Az alap bal oldalán található



Az alap jobb oldalán található



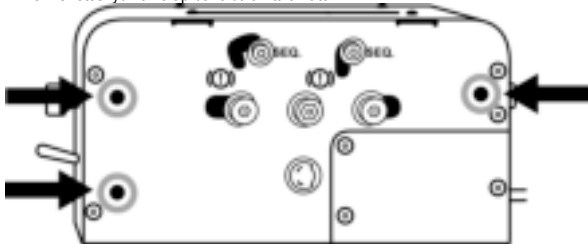
4. Ellenőrizze, hogy a 4 db. csavar (2-2 oldalanként) megfelelő pozícióban vannak és húzza meg őket a 3 mm-es imbuszkulcs segítségével (8).



## A TSS KÉZIFÉK ÜZEMBE HELYEZÉSE

A TSS HANDBRAKE többféle módon rögzíthető (külön kapható), az M6 menetes lyukaknak köszönhetően, melyek az eszköz mindkét oldalán és az alap alján találhatók:

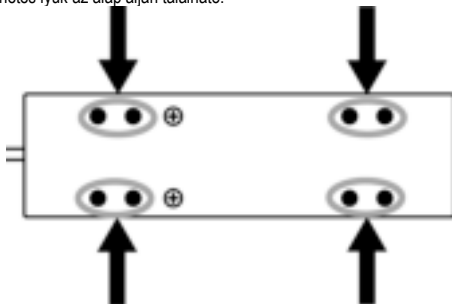
- 3 menetes lyuk az alap bal oldalán található.



- 3 menetes lyuk az alap jobb oldalán található.



- 8 menetes lyuk az alap alján található.



A TSS HANDBRAKE szimulációs ülésbe való üzembe helyezéséhez a használati útmutatót a <https://support.thrustmaster.com> weboldalon tudja megnézni. Válassza ki a Racing Wheels / TSS HANDBRAKE-et majd a Template - Cockpit Setup-ot.



**NE HÚZZA MEG VAGY LAZÍTSA KI EZEKET A**

**CSAVAROKAT**



A KÉZIFÉK és SZEKVENCIÁLIS VÁLTÓ közti kapcsolást elősegítő csavarok kivételével (4), soha ne húzzon meg vagy lazítson ki a TSS HANDBRAKE alapján található csavart.

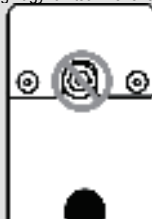
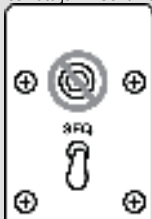
Az alap bal oldalán = Soha ne húzza meg vagy lazítsa ki ezeket a csavarokat:



Az alap jobb oldalán = Soha ne húzza meg vagy lazítsa ki ezeket a csavarokat:



Az alap elején és hátulján = Soha ne húzza meg vagy lazítsa ki ezeket a csavarokat:



## A TERMÉK TELEPÍTÉSE PC-RE

1. Menjen a <https://support.thrustmaster.com> és töltsse le a PC-hez a programot.  
Válassza ki a következőket: Racing Wheels / TSS HANDBRAKE, majd Drivers.
  2. Miután a letöltés befejeződött, futtassa a telepítő programot és kövesse a képernyőn megjelenő utasításokat.
  3. Amikor a telepítő program kijelzi, csatlakoztassa a TSS HANDBRAKE-et a PC-n található valamelyik USB porthoz, használva a levehető DIN / USB kábelt (6), és fejezze be a program telepítését.
  4. A telepítés befejeztével, kattintson a Finish gombra és indítsa újra a gépet.
  5. Válassza ki a Start / All Programs / Thrustmaster / TH8 Shifter / Control Panelt, hogy a játék kontrollerek (Game Controllers) ablak megnyíljon.
- A Game Controllers ablakban a **TSS HANDBRAKE Sparco® Mod** név fog megjelenni, OK státusszal.
6. Kattintson a Properties-re (Tulajdonságok), hogy megnézhesse a TSS HANDBRAKE eszközt a Windows Control Panelen:



**PC-n, ha a TSS HANDBRAKE hozzá van csatlakoztatva egy USB porthoz a levehető DIN / USB kábelén (6) keresztül, a TSS HANDBRAKE a következő módokon használható:**

- KÉZIFÉK módban [Progresszív] és SZEKVENCIÁLIS VÁLTÓ módban [+/-];
- minden játékban, ami multi-USB-t, különálló kéziféket és váltót támogat;
- a piacon fellelhető összes versenykormányval.

**PC-n, ha a TSS HANDBRAKE hozzá van csatlakoztatva a levehető mini-DIN / DIN kábelén keresztül (11), egy kompatibilis Thrustmaster versenykormány alaphoz, a TSS HANDBRAKE a következő módokon használható:**

- csak SZEKVENCIÁLIS VÁLTÓ módban [+/-];
- minden játékban (mivel a TSS HANDBRAKE kombinálva van a versenykormányokon található kormányváltóval);
- csak a kompatibilis Thrustmaster versenykormány alapokkal (TS-PC Racer, T-GT, T300, TS-XW Racer és TX).



**FONTOS:** minden esetben frissítse a versenykormány firmware-jét (TS-PC Racer, T-GT, T300, TS-XW Racer és TX) a <https://support.thrustmaster.com/> weboldalon található legfrissebb verzióval, hogy csatlakoztatni tudja a TSS HANDBRAKE-et a kormányához.

## Általános információk PC-hez:

\* Minden esetben zárja be a Game Controllers ablakot az OK gomb megnyomásával a játék megkezdése előtt.

\* A TSS HANDBRAKE firmware aktuális verzióját, a Control Panel jobb felső részében tudja ellenőrizni.

\* Ha USB csatlakozót használ, javasoljuk, hogy a kormányt és a TSS HANDBRAKE-et közvetlenül a PC-n található USB 2.0 (nem USB 3.0) portba csatlakoztassa, elosztó használata nélkül.

\*Néhány játékban, lehetősége van 2 TSS HANDBRAKE eszköz együttes használatára:

- 1 TSS HANDBRAKE KÉZIFÉK módban használva;
- 1 TSS HANDBRAKE SZEKVENCIÁLIS VÁLTÓ módban használva.

## A TERMÉK TELEPÍTÉSE PS4™-RE ÉS XBOX ONE®-RA

PS4™-en és Xbox One®-on, a TSS HANDBRAKE a következő versenykormány alapokkal kompatibilis:

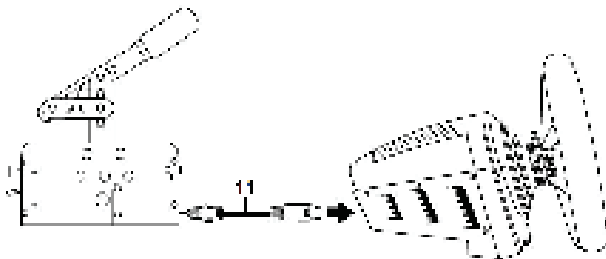
- Thrustmaster T-GT és T300 PS4™-en
- Thrustmaster TS-XW Racer és TX Xbox One®-on



**FONTOS:** ahhoz, hogy a TSS HANDBRAKE legjobb teljesítményét elérje PS4™-en és Xbox One®-on, minden esetben frissítse a versenykormány firmware-jét (T-GT, T300, TS-XW Racer és TX) a <https://support.thrustmaster.com/> weboldalon található legfrissebb verzióval.

### Telepítés:

1. A levehető mini-DIN / DIN kábel **(11)** segítségével, csatlakoztassa a TSS HANDBRAKE-et közvetlenül a versenykormány hátulján található mini-DIN csatlakozóhüvelybe.



2. Csatlakoztassa a kormányt a konzolhoz.

MÁR NINCS IS MÁS DOLGA, MINT JÁTSZANI!

### Általános információk PS4™-hez és Xbox One®-hoz:

- Soha ne használja a levehető DIN / USB kábelt **(6)** PS4™-el és Xbox One®-al. A TSS HANDBRAKE-et minden esetben egy kompatibilis Thrustmaster kormányhoz csatlakoztassa, soha ne a konzolhoz.

- Amikor a TSS HANDBRAKE egy kompatibilis Thrustmaster versenykormányhoz van csatlakoztatva:

- A SZEKVENCIÁLIS VÁLTÓ mód [+/-] minden játékkal használható, mivel kombinálva van a versenykormányokon található kormányváltóval.
- KÉZIFÉK mód [Progresszív] minden játékkal használható, ami a kézifék funkciót\* támogatja.

\* A PS4™-en és Xbox One®-on található kézifék használatot támogató játékok listáját itt találja: <https://support.thrustmaster.com/>. Keresse meg a **Racing Wheels** részt, válassza ki a **TM SIM HUB**-ot vagy a **TSS Handbrake Sparco® Mod**-ot.

## TSS HANDBRAKE CSATLAKOZTATÁSI MÓDJA PLATFORMONKÉNT

	TSS HANDBRAKE csatlakoztatása
<b>PC</b> (KÉZIFÉK mód és SZEKVENCIÁLIS VÁLTÓ mód)	PC-hez: a lehető DIN / USB kábelt <b>(6)</b> használva. A piacon fellelhető összes versenykormányal kompatibilis.
<b>PC</b> (csak SZEKVENCIÁLIS VÁLTÓ mód)	Csatlakoztassa a kompatibilis Thrustmaster kormány hátuljához, a lehető mini-DIN / DIN kábelen <b>(11)</b> keresztül.
<b>PS4™</b> (KÉZIFÉK mód és SZEKVENCIÁLIS VÁLTÓ mód)	Csatlakoztassa a kompatibilis Thrustmaster kormány hátuljához, a lehető mini-DIN / DIN kábelen <b>(11)</b> keresztül.
<b>XBOX ONE®</b> (KÉZIFÉK mód és SZEKVENCIÁLIS VÁLTÓ mód)	Csatlakoztassa a kompatibilis Thrustmaster kormány hátuljához, a lehető mini-DIN / DIN kábelen <b>(11)</b> keresztül.

## A TSS HANDBRAKE FIRMWARE-JÉNEK FRISSÍTÉSE

A TSS HANDBRAKE alapjában található firmware frissíthető (ez azt jelenti, hogy válthat a legfrissebb verzióra, a termék legjobb kihasználásához).

Ellenőrizze, hogy melyik legfrissebb firmware verzió érhető el a TSS HANDBRAKE termékéhez és ha szükséges a következő módon tudja frissíteni: PC-t használva menjen a <https://support.thrustmaster.com> weboldalra, válassza ki a **Racing wheels / TSS HANDBRAKE** opciót, majd a **Firmware-t** és kövesse a az instrukciókat a letöltéshez és telepítéshez.

## A KALIBRÁCIÓS SZOFTVER HASZNÁLATA

A TSS HANDBRAKE eszköz kalibrálása automatikusan megtörténik.

Használja PC-ről a kalibrációs szoftver applikációt, melyet a következő weboldalon érhet el: <https://support.thrustmaster.com>; válassza ki a Racing Wheels / TSS HANDBRAKE opciót, majd a Software-t. A szoftver a következő beállításokat teszi lehetővé:

- Analóg beállítás KÉZIFÉK módban;
- Analóg beállítás SZEKVENCIÁLIS VÁLTÓ módban.

Az új beállítások, azonnal elmentődnek a TSS HANDBRAKE belső memóriájába és az összes játékban érvényesek lesznek, akár PC-n, PS4™-en vagy Xbox One®-on játszik.

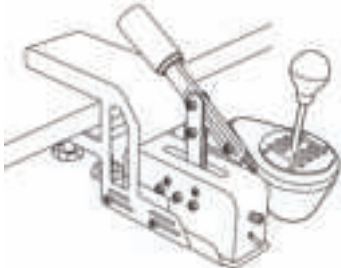
### TIPPEK & TRÜKKÖK (a jelen használati útmutató ezeket nem tartalmazza)

Különböző tippeket és trükköket kaphat az eszköz használatához a következő weboldalon: <https://support.thrustmaster.com>; válassza ki a Racing Wheels / TSS HANDBRAKE opciót.

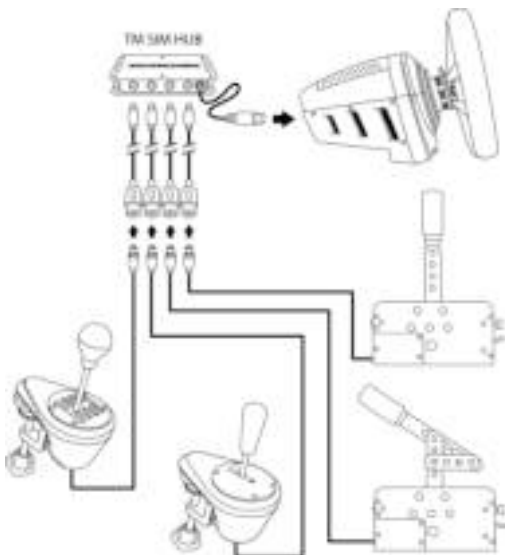
## TERMÉKCSALÁD

A TSS HANDBRAKE más, külön kapható eszközökkel is használható:

\* A **TM RACING CLAMP**: ez egy erős rögzítő panel, ami a TSS Handbrake és TH8A váltó biztonságos rögzítését teszi lehetővé bármely asztal típuson, szimulációs ülés használata nélkül.



\* A **TM SIM HUB**: ez egy elosztó, ami lehetővé teszi, hogy akár négy eszközt is egyszerre tudjon használni azáltal, hogy a mini-DIN csatlakozót a kompatibilis Thrustmaster versenykormány hátuljába illeszti.





## **TERMÉKSZAVATOSSÁGI TÁJÉKOZTATÓ**

A franciaországi központú Guillemot Coporation S.A. (továbbiakban "Guillemot") (székhelyének címe: Place du Granier, B.P. 97143, 35571 Chantepie, Franciaország) világszerte garantálja a vásárlóinak, hogy a Thrustmaster által forgalmazott termék anyag és gyártási hibáktól mentes és a meghatározott szavatossági időn belül a termékkel szemben a cég eljár, ha szükséges. Az Európai Unió országain belül ez a szavatossági idő a Thrustmaster termék kiszállításától számított két (2) év. Más országokban, a Thrustmaster termékekre vonatkozó szavatossági időre azon helyi jogszabályok alkalmazandók, ahol a vásárló a vásárlás ideje alatt állandó jelleggel tartózkodott (ha a szóban forgó országnak nincsen ilyen jellegű törvénykezése, abban az esetben a Thrustmaster termék eredeti idejének vásárlásától számítva a szavatossági idő egy (1) év).

A fent meghatározottak ellenére, az akkumulátorok szavatossági ideje a vásárlástól számított hat (6) hónapon belül lejár.

Amennyiben a szavatossági idő alatt a termékben meghibásodást észlel, úgy azonnal lépjen kapcsolatba a Vevőszolgálattal és ők megmondják mit kell tennie. Ha a meghibásodást jóváhagyják, a terméket vissza kell vinnie a vásárlás helyszínére (vagy a Vevőszolgálat által kijelölt helyre).

A jótállás keretein belül, a vásárló hibás termékét a Vevőszolgálat vagy kicseréli, vagy megjavítja. Ha, a szavatossági időn belül a Thrustmaster termék javítás alatt áll legalább (7) hét napig, abban az esetben, a kiesett napok számával a szavatossági idő meghosszabbítható (ezt az időszakot az alábbiak szerint kell számolni: vagy attól a dátumtól kezdve amikor a vásárló panaszt tett vagy attól a dátumtól kezdve, amikor a termék javításra átadásra került, amennyiben ez a dátum nem esik egybe a panasztétel időpontjával). Ha az alkalmazandó jogszabályok megengedik, a Guillemot és a leányvállalatai (közvetett károkat is beleértve) egyaránt a Thrustmaster termék helyreállítására vagy annak a kicserélésre kell, hogy törekedjen. Ha az alkalmazandó jogszabályok megengedik, Guillemot a termék felhasználhatóságával és rendeltetésével kapcsolatban nem vállal garanciát.

A termékszavatosság nem érvényes: (1) ha a terméket bármilyen formában módosították, felnyitották, nem rendeltetészerűen használták, egyéb külső sérüléseknek tették ki, gondatlanul kezelték vagy normális mértékben elhasználódott és az ebből fakadó károk nem vezethetőek vissza a termék gyári meghibásodásra (beleértve, de nem kizárólagosan azt az esetet, amikor a Thrustmaster terméket valamilyen nem a Guillemot által forgalmazott tápegységgel, akkumulátorral, töltővel vagy egyéb eszközzel használták); (2) ha a terméket nem csak saját használatra, hanem szakmai vagy kereskedelmi célokra is felhasználták (pl.: játékszoba, tréning, versenyek); (3) ha a vásárló nem követte a Vevőszolgálat utasításait (4) szoftver hiba esetén. Arra más módon meghatározott jótállás érvényes; (5) fogyóeszközökre (olyan eszközök, amelyeket a termék élettartama alatt kell cserélni. Pl.: eldobható elemek, fejhallgató vagy headset fülpárna); (6) kiegészítőkre (pl.: kábelek, tokok, tasakok, táskák, csukló rögzítők); (7) ha a terméket aukció során vásárolták meg.

A jótállás nem átruházható.

A vásárló törvényes jogaira nincs hatással a termékszavatosság, akármilyen törvények is vonatkoznak a saját országában megvásárolt termékekre.

### **További termékszavatossággal kapcsolatos rendelkezések**

A szavatossági idő alatt, Guillemot semmiféle alkatrészt nem bocsájthat a vásárló részére, mivel csak a Vevőszolgálatnak van kizárólagos joga ahhoz, hogy felnyisson és/vagy megszereljen akármilyen Thrustmaster terméket (kivévelt képez az az eset, amikor a Vevőszolgálat külön írásos instrukciókkal látja el a vásárlót a szerelést illetően és az ehhez szükséges alkatrészeket is a rendelkezésére bocsájta pl.: ha nagyon egyszerű és titoktartást nem igénylő szerelési folyamatról van szó.)

Az innovációs ciklusra való tekintettel és a termék szabadalmának, illetve az üzleti titkának védelme érdekében, Guillemot nem tesz ígéretet olyan Thrustmaster termék javítására és nem szolgáltat hozzá alkatrészt, amelynek a termékszavatossága már lejárt.

Az Amerikai Egyesült Államokban és Kanadában a termékszavatosság csak a termék belső szerkezetére és a készülékházra terjed ki. Sem Guillemot, sem a partnerei nem vonhatóak felelősségre egy harmadik fél által, a közvetlen vagy közvetett garancia megszegése miatt fellépő esetleges károk miatt. Némely Államokban/Tartományokban nincs szabályozva, hogy mikor jár le a közvetett termékszavatosság vagy nincs meghatározva a felelősség mértéke vagy annak teljes kizárása közvetett vagy véletlenszerű károk okozása esetén. Ebben az esetben a fentebb említett szabályozások és kizárások nem vonatkoznak Önre. A termékszavatosság különleges törvényi jogokkal ruházza Önt fel, illetve más jogok is megilletik, amelyek államonként és tartományonként eltérhetnek.

### **Felelősségvállalás**

Ha az alkalmazandó jogszabályok megengedik, a Guillemot Corporation S.A. (továbbiakban "Guillemot") és leányvállalatai nem vállalnak semmiféle felelősséget, ha a károk az alábbiak szerint keletkeztek: (1) a terméket bármilyen formában módosították vagy felnyitották; (2) nem tartották be az összeszerelési utasítást; (3) a terméket nem rendeltetészerűen használták, egyéb külső sérüléseknek tették ki (pl.: nyomásnak), gondatlanul kezelték; (4) a termék normális mértékben használódott el; (5) a terméket nem csak saját használatra, hanem szakmai vagy kereskedelmi célokra is felhasználták (pl.: játékszoba, tréning, versenyek). Amennyiben az alkalmazandó jogszabályok lehetővé teszik, úgy Guillemot és a leányvállalatai nem vállalnak felelősséget azon károkért, amelyek nem a termék minőségi vagy gyártási problémájából fakadnak. (beleértve, de nem kizárólagosan azt az esetet, amikor a károkat direkt vagy indirekt módon egy szoftver okozza vagy a Thrustmaster terméket valamilyen nem a Guillemot által forgalmazott tápegységgel, akkumulátorral, töltővel vagy egyéb eszközzel használták.)

**THRUSTMASTER®**

**VEVŐSZOLGÁLAT**

<https://support.thrustmaster.com>



## SZERZŐI JOG

© 2019 Guillemot Corporation S.A. Minden jog fenntartva. A Thrustmaster® a Guillemot Corporation S.A. bejegyzett védjegye, a Sparco a Sparco S.p.A oltalma alatt áll. Minden más védjegy és termék megnevezés a tulajdonos tulajdonában áll. Az illusztrációk nem kötelező érvényűek. A tartalom, a design és egyéb specifikációk bármikor módosíthatók további értesítés nélkül és országonként eltérhetnek. Gyártja és forgalmazza a Guillemot Corporation S.A. a Sparco S.p.A védjegye alatt. Kínában gyártva.

## KÖRNYEZETVÉDELMI AJÁNLÁS



Az Európai Unión belül: ha a termék élettartama lejárt, ne dobja ki a háztartási szeméttel együtt, hanem adja le egy az elektromos és elektronikus berendezések hulladékának újrafelhasználásáért felelős gyűjtőpontra. (WEEE)

Ezt az alábbi ikon is jelöli, amit a terméken, használati útmutatón és csomagoláson is megtalál.

Az anyag sajátosságaitól függően, újrafelhasználásra lehet alkalmas. Az újrafelhasználással és azzal, hogy az elektromos és elektronikus berendezések hulladék megsemmisítésének a módját követi, jelentősen hozzájárul a környezete védelméhez. Lépjen kapcsolatba a helyi önkormányzattal, hogy hol található az Önhöz

legközelebbi gyűjtőpont.

Nem Európai Unió országokban: Vegye figyelembe a helyi elektromos és elektronikus hulladék újrafelhasználásra vonatkozó törvényt.

Őrizze meg a tájékoztatót. A színek és díszítés eltérhetnek.

Távolítsa el a műanyag rögzítőket és ragasztószalagokat a használatba vétel előtt.

[www.thrustmaster.com](http://www.thrustmaster.com)

*\*EU-ban és Törökországban alkalmazható*

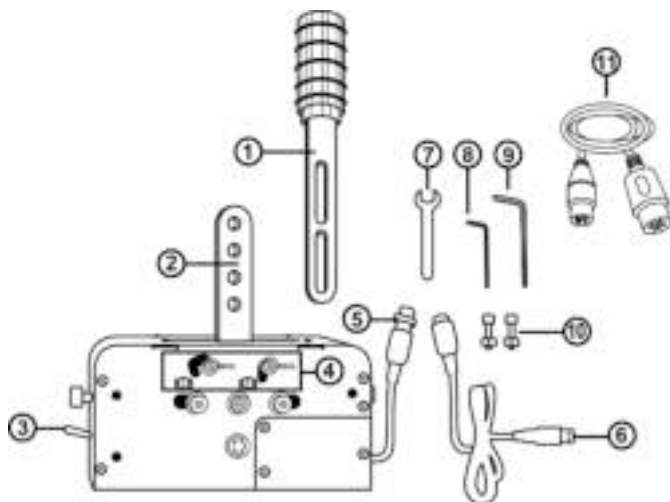


# TSS HANDBRAKE+

## sparco® Mod

Xbox One® - PS4™ – PC

מדריך למשתמש



### מפרט טכני

- |    |                           |   |                                                                 |
|----|---------------------------|---|-----------------------------------------------------------------|
| 6  | כבל DIN/USB זכר מתפרק     | 1 | ידית מתפרקת (לא מותקן כבירית מחدل)                              |
| 7  | מפתח ברגים 13 מ"מ         | 2 | זרועות חיבור ידית                                               |
| 8  | מפתח אלן 3 מ"מ            | 3 | בורר בלם יד/מוט הילוכים סיקוונסיאלי                             |
| 9  | מפתח אלן 6 מ"מ            | 4 | מערכת החלפה מכאנית (להחלפה בין בלם יד ומוט הילוכים סיקוונסיאלי) |
| 10 | 2 ברגי 2 + BTR M8 אומי M8 | 5 | כבל DIN ומחבר נקבה לבסיס                                        |
| 11 | כבל mini-DIN/DIN מתפרק    |   |                                                                 |

## אזהרה

לפני השימוש במוצר זה, הקפידו לקרוא את המדריך בעיון. שמרו את המדריך לעיון עתידי.

### **אזהרה - מכת חשמל**

- \* שמרו את המוצר במקום יבש ואל תחשפו אותו לאבק או לשמש.
- \* הקפידו על כיוון הכנסת המחברים.
- \* אין לסובב או למשוך את המחברים והכבלים.
- \* אין לשפוך נוזל על המוצר או המחבר שלו.
- \* אין לקצר את המוצר.
- \* אין לפרק את המוצר (מלבד לעדכונים המתוארים במדריך זה), אין לנסות לשרוף את המוצר ואין לחשוף אותו לטמפרטורות גבוהות.

### **אזהרה - פציעות בשל תנועות חזרתיות**

- השימוש במוט הילוכים או בבלם יד עלול לגרום לכאבי שרירים ומפרקים. למניעת בעיות:
- \* הימנעו ממשחקים ממושכים.
- \* הקפידו על הפסקה של 10-15 דקות לאחר כל שעת משחק.
- \* במקרה של עייפות או כאב בידיים, במרפקי הידיים או הזרועות, הפסיקו לשחק ונוחו למשך מספר שעות לפני שתחילו לשחק שוב.
- \* אם התסמינים או הכאבים שלעיל נמשכים כאשר אתם חוזרים לשחק, הפסיקו לשחק והתייעצו עם הרופא שלכם.
- \* וודאו שבסיוס ה-TSS HANDBRAKE מותקן כנדרש בהתאם למתואר בהוראות שבמדריך זה.

### **אזהרה - סכנת היצבטות בפתחי לוח ההילוכים**

- \* הרחיקו מהישג ידם של ילדים
- \* בעת המשחק, אין לקרב את האצבעות (או כל חלק אחר בגוף) לפתחים שבלוחות ההילוכים ב-TSS HANDBRAKE.

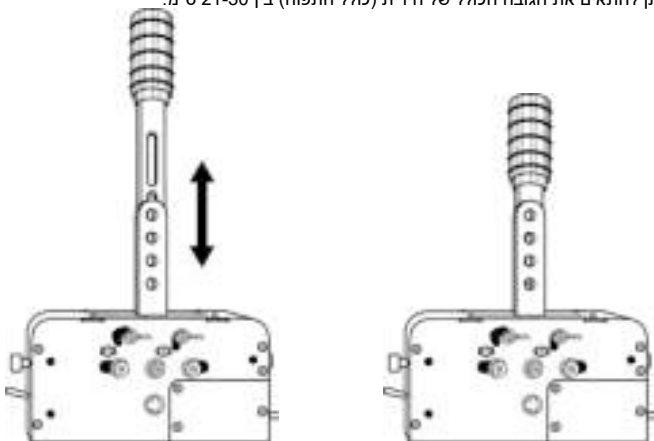
### אף פעם לא



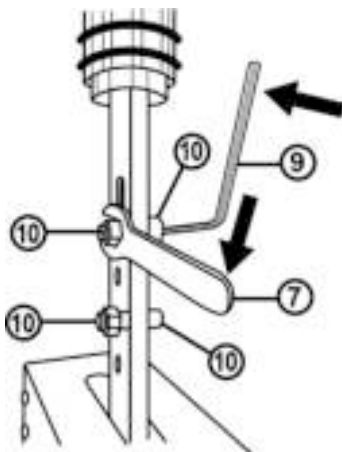
## התקנת הידית המתפרקת (1) על זרועות החיבור (2)

1. העבירו את הידית המתפרקת (1) בין זרועות החיבור (2).

2. כווננו את הידית לגובה הרצוי.  
ניתן להתאים את הגובה הכולל של הידית (כולל התפוח) בין 21-30 ס"מ.



3. חברו את הידית לזרועות החיבור באמצעות 2 ברגי BTR M8 (10) אומי 2 M8 (10) ומפתח אלן 6 מ"מ (9).



## הגדרת מצב בלם היד

כברירת מחדל (בעת פתיחת המכשיר), ה-TSS HANDBRAKE מוגדר למצב בלם יד.

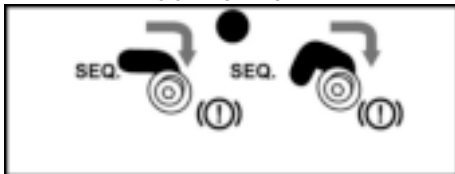
1. במצב בלם יד, בורר בלם היד/מוט ההילוכים(3)פונה כלפי מטה.

חזית הבסיס

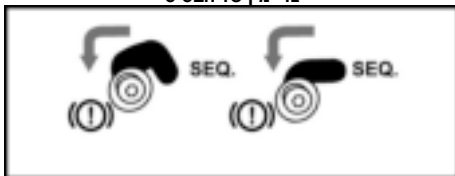


2. המערכת המכאנית שמאפשרת לכם לעבור בין מצב בלם יד למצב מוט ההילוכים סיקוונסיאלי (4) מוגדר מראש למצב בלם יד.

צד שמאל של הבסיס



צד ימין של הבסיס



## הגדרת מצב ידיית הילוכים סיקוונסיאלית

1. הרימו את בורר בלם יד/ידיית הילוכים (3) במצב מוט הילוכים סיקוונסיאלי.  
חזית הבסיס



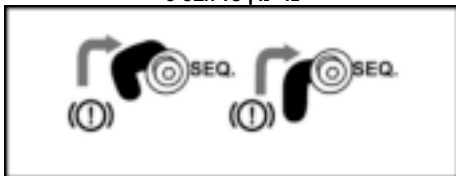
2. למעבר ממצב בלם יד למצב מוט הילוכים סיקוונסיאלי (4), השתמש במפתח אלן 3 מ"מ (8) לשחרור קל של בורגי המערכת המכאנית (2 ברגים בצידי הבסיס).

3. העבירו את 4 הברגים הללו (2 ברגים, בכל אחד מצידי הבסיס) למצב SEQ.

### צד שמאל של הבסיס



### צד ימין של הבסיס



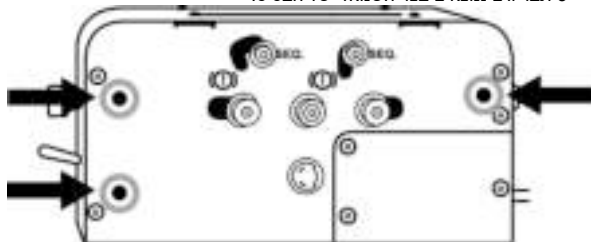
4. בדקו ש-4 הברגים הללו (2 בכל אחד מצידי הבסיס) ממוקמים היטב וחזקו אותם באמצעות מפתח אלן 3 מ"מ (8).



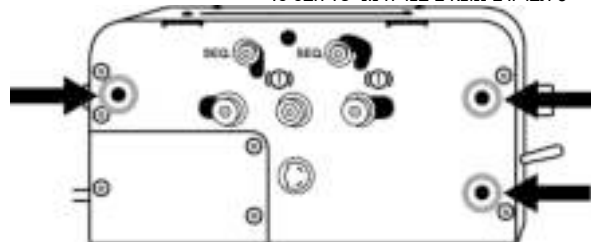
## התקנת בלם היד TSS

ניתן לחבר את ה-TSS HANDBRAKE למגוון תושבות מתאימות (נמכרות בנפרד) באמצעות תבריגי M6 שבצידי ההתקן ומתחת לבלם.

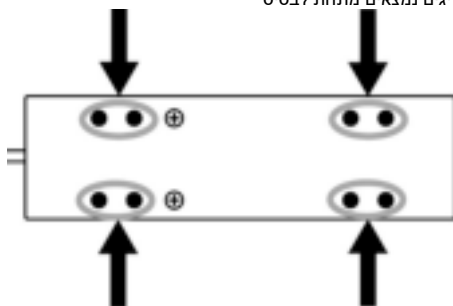
- 3 תבריגים נמצאים בצד השמאלי של הבלם.



- 3 תבריגים נמצאים בצד הימני של הבלם.



- 8 תבריגים נמצאים מתחת לבלם.



תבנית התקנת קוקפיט TSS HANDBRAKE נמצא ב- <https://support.thrustmaster.com>.  
בחרו בהגאי מירון/TSS HANDBRAKE, תבנית - הגדרת קוקפיט.

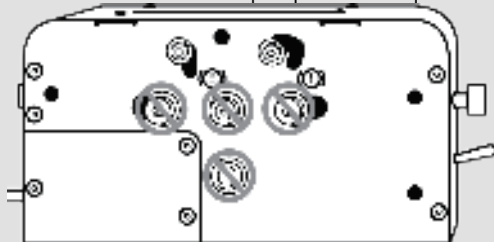
## ⚠ אין לחזק או לשחרר את הברגים הללו ⚠

מלבד הברגים הקשורים במערכת המכאנית המשמשת להחלפה ממצב בלם יד למצב מוט הילוכים סיקוונסיאלי (4), אין לחזק או לשחרר ברגים המצויים בבסיס TSS HANDBRAKE.

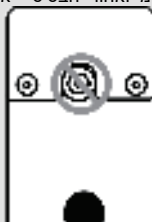
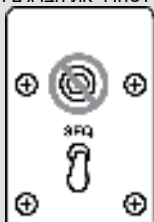
צד שמאל של הבסיס = אין לחזק או לשחרר את הברגים הללו:



צד ימין של הבסיס = אין לחזק או לשחרר את הברגים הללו:



צד קדמי ואחורי הבסיס = אין לחזק או לשחרר את הברגים הללו:



## הוראות התקנה ל-PC

1. בקרו ב- <https://support.thrustmaster.com> להורדת הדרייברים ל-PC.  
בחרו בהגאי מירוץ/TSS HANDBRAKE (Racing Wheels / TSS HANDBRAKE), דרייברים.
2. לאחר סיום ההורדה, הריצו את תוכנית ההתקנה ופעלו על פי ההוראות שעל גבי המסך.
3. כשתירשו על ידי תוכנית ההתקנה, חברו את ה-TSS HANDBRAKE לאחד מפתחי ה-USB ב-PC שלכם בעזרת כבל DIN/USB זכר מתפרק (6) והשלימו את התקנת הדרייבר.
4. לאחר סיום ההתקנה, לחצו על סיום ואתחלו את המחשב.
5. בחרו התחל / כל התוכניות / Thrustmaster / מוט הילויים TH8 / לוח בקרה לפתיחת חלונות בקרי המשחק.
6. חלונות בקרי המשחק מופיעים בשם **TSS HANDBRAKE Sparco® Mod**, במצב OK.  
לחצו על מאפיינים כדי לצפות ב-TSS HANDBRAKE בלוח הבקרה של Windows:



## ב-PC, כאשר TSS HANDBRAKE מחובר לפתח USB באמצעות כבל DIN/USB זכר מתפרק (6), ה-TSS HANDBRAKE מתאים:

- למצב בלם יד (פרוגרסיבי) ומצב מוט הילוכים סיקוונסיאלי [+/-];
- בכל המשחקים התומכים ב-Multi-USB, בלמי יד ומוטות הילוכים נפרדים.
- כל הגאי המירוץ הקיימים בשוק.

## ב-PC, כאשר ה-TSS HANDBRAKE מחובר לחלק האחורי של תושבת הגה מירוצים Thrustmaster תואם באמצעות כבל mini-DIN/DIN מתפרק (11), ה-TSS HANDBRAKE מתאים ל:

- מצב מוט הילוכים סיקוונסיאלי [+/-] בלבד
- כל המשחקים (היות וה-TSS HANDBRAKE משולב בדידות הילוכים UP ו-DOWN של הגה המירוצים);
- עם תושבות הגאי מירוץ Thrustmaster תואמים בלבד (TS-PC Racer, T-GT, T300, TS-XW, Racer ו-TX).

**חשוב:** עליכם לעדכן את קושחת בסיס הגה המרוצים (TS-PC Racer, TS-XW Racer, T300, T-GT ו-TX) בגרסה האחרונה הנמצאת ב-  
<https://support.thrustmaster.com/> כדי לחבר TSS HANDBRAKE לבסיס הגה המרוץ.

## הערות כלליות על PC:

- \* זכרו לסגור את חלון בקרי המשחקים בלחיצה על OK לפני תחילת המשחק.
- גרסת קושחת TSS HANDBRAKE מופיעה בפינה הימנית העליונה של לשוניות לוח הבקרה.
- \* אם אתם בוחרים בחיבור USB, אנו ממליצים שתחברו את הגה המרוצים ואת ה-TSS HANDBRAKE ישירות ל-USB 2.0 (ולא ל-USB 3.0) שב-PC שלכם ללא שימוש במרכזת.
- \* ישנם משחקים שמאפשרים לכם להשתמש בשני מכשירי TSS HANDBRAKE בו זמנית:
  - TSS HANDBRAKE אחד מוגדר במצב בלם יד;
  - TSS HANDBRAKE אחד מוגדר במצב מוט הילוכים סיקוונסיאלי.

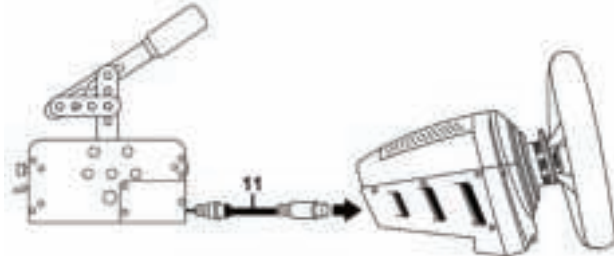
## XBOX ONE® ו-PS4 התקנה

- ב-PS4™ ו-XBOX ONE™, ה-TSS HANDBRAKE תואם לבסיס הגאי המירוץ הבאים:
- PS4™ ב-T300 ו-Thrustmaster T-GT
  - Xbox One® ב-TX ו-Thrustmaster TS-XW Racer

**חשוב:** כדי להבטיח ביצועים אופטימליים של ה-TSS HANDBRAKE ב-PS4™ ו-Xbox One®, עליכם לעדכן את קושחת בסיס הגה המרוץ שלכם ב-T300, TX או TS-XW Racer (בגרסה האחרונה שב-<https://support.thrustmaster.com/>)

### התקנה

1. באמצעות כבל mini-DIN/DIN מתנתק (11), חברו את ה-TSS HANDBRAKE ישירות לפתח mini-DIN נקבה שבחלק האחורי של בסיס הגה המירוץ שלכם.



2. חברו את הגה המירוץ שלכם לקונסולה.

קעת אתם מוכנים להתחיל לשחק!

### התקנה ב-PS4™ ו-XBOX ONE®

- אין להשתמש ולחבר את כבל DIN/USB זכר מתנתק (6) ב-PS4™ ו-Xbox One®. ה-TSS HANDBRAKE חייב להיות מחובר תמיד לבסיס הגה מירוץ Thrustmaster תואם, ולא לקונסולה.

- כאשר TSS HANDBRAKE מחובר להגה מרוץ Thrustmaster תואם:
- מצב מוט היילוכים סיקוונסיאלי [+/-] פועל עם כל המשחקים שכן הוא משולב בידיות ההילוכים UP ו-DOWN של ההגה.
  - מצב בלם יד (פרוגרסיבי) פועל במשחקים שתומכים בפונקציית בלם היד\*.
- \*רשימת משחקי PS4™ ו-Xbox One® שמתאימים לבלמי יד מופיעה ב-<https://support.thrustmaster.com>. בפרק **הגאי מרוץ**, בחרו ב-TM SIM HUB או TSS HANDBRAKE Sparco® Mod.

## סיכום חיבור TSS HANDBRAKE לפי הפלטפורמה הרלוונטית

חיבור TSS HANDBRAKE	
ל-PC בעזרת כבל DIN/USB זכר (6) מתנתק. מתאים לכל הגאי המירוץ הקיימים בשוק.	<b>PC</b> (מצב בלם יד ומצב מוט הילוכים סיקוונסיאלי)
בחלק האחורי של בסיס הגה מירוצים Thrustmaster באמצעות כבל mini-DIN/DIN מתנתק (11).	<b>PC</b> (מצב מוט הילוכים סיקוונסיאלי בלבד)
בחלק האחורי של בסיס הגה מירוצים Thrustmaster באמצעות כבל mini-DIN/DIN מתנתק (11).	<b>PS4™</b> (מצב בלם יד ומצב מוט הילוכים סיקוונסיאלי)
בחלק האחורי של בסיס הגה מירוצים Thrustmaster באמצעות כבל mini-DIN/DIN מתנתק (11).	<b>XBOX ONE®</b> (מצב בלם יד ומצב מוט הילוכים סיקוונסיאלי)

### עדכון קושחת ה- TSS HANDBRAKE

הקושחה הכלולה בבסיס TSS HANDBRAKE ניתנת לעדכון (משמע שאפשר לשדרג אותה לגרסה עדכנית יותר הכוללת שיפורים למוצר).

להצגת גרסת קושחת TSS HANDBRAKE ולעדכונה, במידת הצורך: ב-PC, בקרו ב- <https://support.thrustmaster.com/>, בחרו **הגאי מירוץ/TSS HANDBRAKE** ואז בחרו **קושחה** ופעלו על פי ההוראות ותהליך ההורדה וההתקנה.

## תוכנת כיוול מתקדמת

תהליך הכיוול ב-TSS HANDBRAKE הוא אוטומטי.  
ניתן להוריד אפליקציה עם תוכנת כיוול מתקדמת ל-PC ב-<https://support.thrustmaster.com>:  
בחרו הגאי מירוץ/TSS HANDBRAKE (Racing Wheels / TSS HANDBRAKE) ואז תוכנה  
תוכנה זו תאפשר לכם לעדכן את הדברים הבאים:

- תנועה אנלוגית במצב בלם יד;
- תנועה אנלוגית במצבמוטהילוכים סיקוונסיאלי

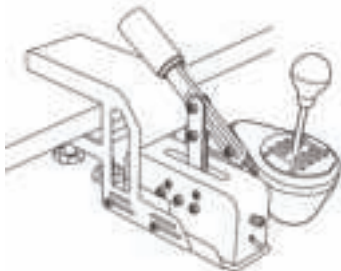
לאחר כיוון ההגדרות, הן תישמרנה מייד בזיכרון הפנימי של ה-TSS HANDBRAKE ולכן יחולו  
על כל המשחקים שלכם, בין אם ב-PC, PS4™ או Xbox One®.

## טיפים והמלצות (לא כלול במדריך זה)

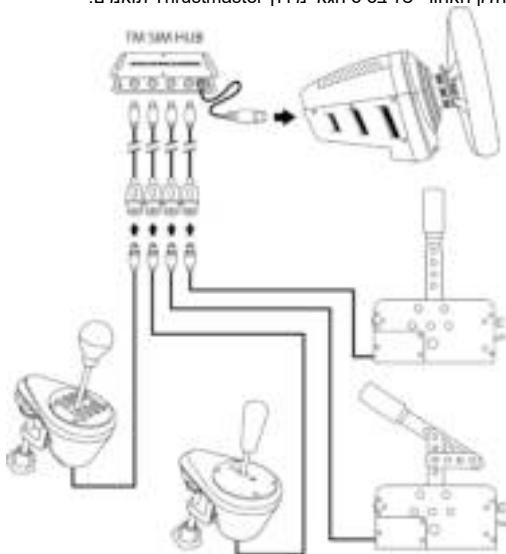
ניתן לעיין בטיפים והמלצות ב-<https://support.thrustmaster.com>: בחרו הגאי מירוץ / TSS  
HANDBRAKE. (Racing Wheels / TSS HANDBRAKE).

ה-TSS HANDBRAKE מתאים גם לאביזרים אחרים אשר נמכרים בנפרד:

- **מלחצי מירוח TM**: מלחצי תמיכה יציבים המאפשרים לגיימרים להרכיב את ה-TSS HANDBRAKE ואת מוט ההילוכים TH8A שלהם ישירות לשולחן, ללא צורך בקונקיפיט.



\* **TM SIM HUB**: מרכזת המאפשרת למשתמשים לחבר בו זמנית עד ארבעה אביזרים ישירות למחבר mini-DIN האחורי של בסיס הגאי מירוח Thrustmaster תואמים.





Place du Granier, B.P. 97143 35571, S.A. Guillemot Corporation, שמשרדיה הרשומים ב-, Chantepie, France (להלן: "Guillemot") מתחייבת לצרכן ברחבי העולם כי מוצר Thrustmaster zc יהיה נקי מפגמים בחומרים ובעבודה למשך תקופת האחריות התואמת את פרק הזמן להגשת תביעת תאימות ביחס למוצר זה. במדינות האיחוד האירופי, פרק הזמן האמור הוא שנתיים (2) ממועד אספקת מוצר Thrustmaster. במדינות אחרות, תקופת האחריות תואמת את פרק הזמן להגשת תביעת תאימות ביחס למוצר ה-Thrustmaster על פי החוקים החלים במדינה בה התגורר הצרכן בעת רכישת מוצר Thrustmaster (בהיעדר הגדרה כאמור במדינה הרלוונטית, תקופת האחריות תהיה לשנה אחת (1) מתאריך הרכישה המקורי של מוצר ה-Thrustmaster).  
על אף האמור לעיל, סוללות נטענות מכוסות בתקופת אחריות בת שישה (6) חודשים מתאריך הרכישה המקורי.

במקרה והמוצר נראה פגום במהלך תקופת האחריות, פנו מייד למחלקת התמיכה הטכנית, אשר תספק לכם את הוראות להמשך הטיפול. אם הפגם מאומת, יש להחזיר את המוצר לנקודת הרכישה (או לכל מקום אחר שייקבע על ידי מחלקת התמיכה הטכנית).  
במסגרת אחריות זו, המוצר הפגום של הצרכן יוחלף או יתוקן על פי בחירת מחלקת התמיכה הטכנית. אם, במהלך תקופת האחריות, מוצר ה-Thrustmaster נמצא בתיקון, כל תקופה עד שבעה (7) ימים בהם המוצר אינו בשימוש, תוסף לתרת תקופת האחריות (התקופה מתחילה עם בקשת הצרכן להתערבות או מהתאריך בו המוצר נמסר לתיקון, אם התאריך בו המוצר נמסר לתיקון הוא אחרי תאריך בקשת ההתערבות). במידה והדבר מותר על פי החוק החל, מלאו החבות של Guillemot וחברות הבת שלה (לרבות חקים תוצאתיים) מוגבלת להחזרת מוצר ה-Thrustmaster לפעולה או החלפתו. במידה והדבר מותר על פי החוק החל, Guillemot מסירה כל אחריות לסחירות או התאמה למטרה מסוימת.

האחריות לא תחול: (1) אם המוצר שונה, נפתח, עודכן או ניזוק כתוצאה משימוש בלתי הולם, רשלנות, תאונה, בלאי סביר או כל גורם אחר שאינו קשור בפגם בחומרים או בייצור (לרבות, אך ללא הגבלה, שלוב מוצר Thrustmaster עם כל מרכיב בלתי הולם, לרבות בעיקר ספקי כוח, סוללות נטענות, מטענים או כל רכיב אחר שאינו מסופק למוצר זה על ידי Guillemot); (2) אם המוצר שימש לכל מטרה שהיא מעבר לשימוש ביתי, לרבות למטרות מקצועיות או מסחריות (למשל, חדרי משחקים, הדרכה, תחרויות); (3) במקרה של אי עמידה בהוראות ממחלקת התמיכה הטכנית; (4) על תוכנה, כאשר התוכנה כפופה לאחריות ספציפית; (5) לרכיבים מתכלים (רכיבים שיחלפו לאורך חי המוצר: כגון סוללות חד פעמיות, אוזניות או רפידות לאוזניות); (6) על אביזרים (כגון כבלים, מאזינים, תיקים, רצועות); (7) אם המוצר נמכר במכירה פומבית.

האחריות אינה ניתנת להעברה.  
אחריות זו תשפיע על הזכויות החוקיות של הצרכנים ביחס לחוקים החלים על מכירת מוצרי צריכה בארץ שלהם.

### הוראות אחריות נוספות

בתקופת האחריות, Guillemot לא תספק חלקי חילוף באופן עקרוני שכן מחלקת התמיכה הטכנית היא הגוף היחיד המוסמך לפתוח ו/או לתקן כל מוצר Thrustmaster שהוא (לא כולל נהלי טיפול שעשויה מחלקת התמיכה הטכנית לבקש מהצרכנים בהוראות בכתב - למשל, בשל פשטות התיקון היעדר הסודיות בתהליך התיקון - ותוך אספקת חלקי) החילוף לצרכנים כנדרש, בהתאם לעניין).  
בהתחשב במחזורי החידוש שלה ובמטרה להגן על הידע והסודות המסחריים שלה, Guillemot לא תספק, באופן עקרוני, כל הודעת תיקון או חלקי חילוף למוצר Thrustmaster שתקופת האחריות לגביה פקעה.

בארה"ב ובקנדה, אחריות זו מוגבלת למנגנון הפנימי ולזיודו הייצוני של המוצר. Guillemot והחברות השותפות לה לא תהינה אחראיות כלפי צד שלישי בגין נזקים תוצאתיים או נלווים הנובעים מתוך ההפרה של כל התחייבות מפורשת או מרומזת. ישנן מדינות/מחוזות שאינן מאשרות הגבלה על תקופת אחריות מרומזת או החרגה או הגבלת חבות בגין נזקים תוצאתיים או נלווים, לכן ייתכן כי ההגבלות או ההחרגות לעיל אינן חלות עליכם. האחריות מקנה לכם זכויות חוקיות ספציפיות וייתכן שעומדות לרשותכם זכויות נוספות המשתנות ממדינה למדינה או ממחוז למחוז.

## חבות

במידה והדבר מותר על פי חוק, Guillemot Corporation S.A. (להלן: "Guillemot") וחברות הבת שלה מסירות כל חבות בגין נזקים שנגרמו על ידי אחד או יותר מהבאים: (1) המוצר שונה, נפתח או עודכן; (2) אי עמידה בהוראות ההרכבה; (3) שימוש בלתי הולם או בלתי ראוי, רשלנות, תאונה (כגון התנגשות); (4) בלאי סביר; (5) שימוש לכל מטרה שהיא מעבר לשימוש ביתי, לרבות למטרות מקצועיות או מסחריות (למשל, חדרי משחקים, הדרכה, תחרויות). במידה והדבר מותר על פי חוק, Guillemot וחברות הבת שלה מסירות על חבות בגין נזקים שאינם קשורים בפגם בחומרים או בייצור (לרבות, אך ללא הגבלה, נזקים שנגרמו על ידי תוכנה כלשהי באופן ישיר או עקיף, או משילוב מוצר Thrustmaster עם כל מרכיב בלתי הולם, לרבות בעיקר ספקי כוח, סוללות נטענות, מטענים או כל רכיב אחר שאינו מסופק למוצר זה על ידי Guillemot.

# THRUSTMASTER®

תמיכה טכנית

<https://support.thrustmaster.com>

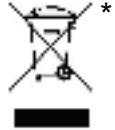


## זכויות יוצרים

© 2019 Guillemot Corporation S.A. כל הזכויות שמורות. © Thrustmaster הוא סמל מסחרי שם של Guillemot Corporation S.A. PlayStation® הוא סמל מסחרי רשום של Sony Corporation בארה"ב ו/או במדינות אחרות. © Sparco הוא סמל מסחרי רשום של Sparco S.p.A. כל יתר הסימנים המסחריים ושמות המותגים מוכרים ומהווים את הרכוש של בעליהם בהתאמה. האירים אינם מחייבים. תוכן, עיצובים ומפרטים נתונים לשינוי ללא הודעה ועשויים להשתנות ממדינה למדינה. תוצרת סין.

## המלצת איכות הסביבה

באיחוד האירופי: עם סיום חיי המוצר, אין להשליך אותו ביחד עם פסולת ביתית, אלא למסור אותו לתחנת איסוף להשלכת פסולת חשמלית או אלקטרונית (WEEE) לצורך מחזור. הוראה זו מצוינת באמצעות הסימן המופיע על המוצר, מדריך השימוש או האריזה.



בהתאם לתכונותיהם, ניתן למחזר את החומרים. באמצעות מחזור ועיבוד פסולת חשמלית או אלקטרונית, תוכלו לתרום באופן משמעותי להגנה על הסביבה. פנו לרשויות המקומיות למידע בנושא נקודת האיסוף הקרובה אליכם. בכל שאר המדינות: יש לפעול על פי חוקי המחזור המקומיים ביחס לציוד חשמלי ואלקטרוני.

יש לשמור מידע זה. הצבעים והעיטורים עשויים להשתנות. יש להסיר מחברי פלסטיק ודבקים מהמוצר לפני השימוש. [www.thrustmaster.com](http://www.thrustmaster.com)

\*רלוונטי רק לאיחוד האירופי ולטורקיה

