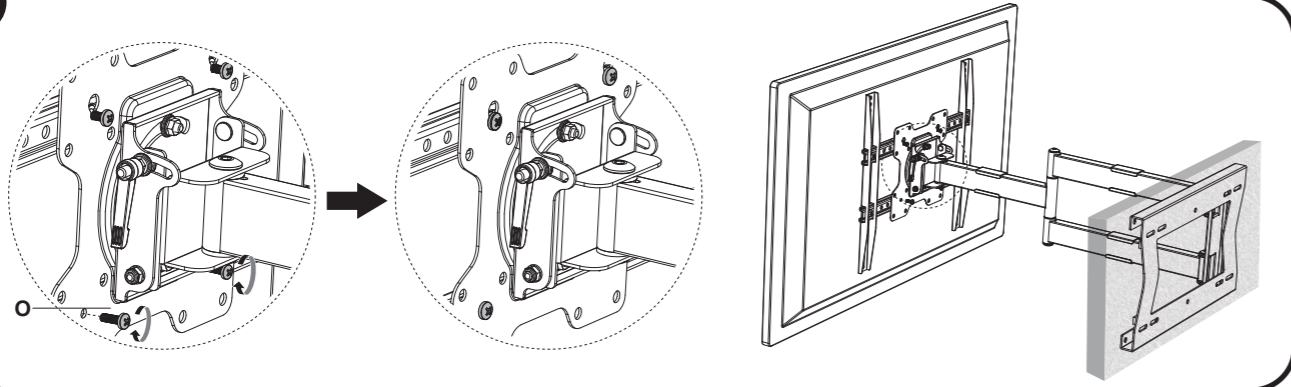
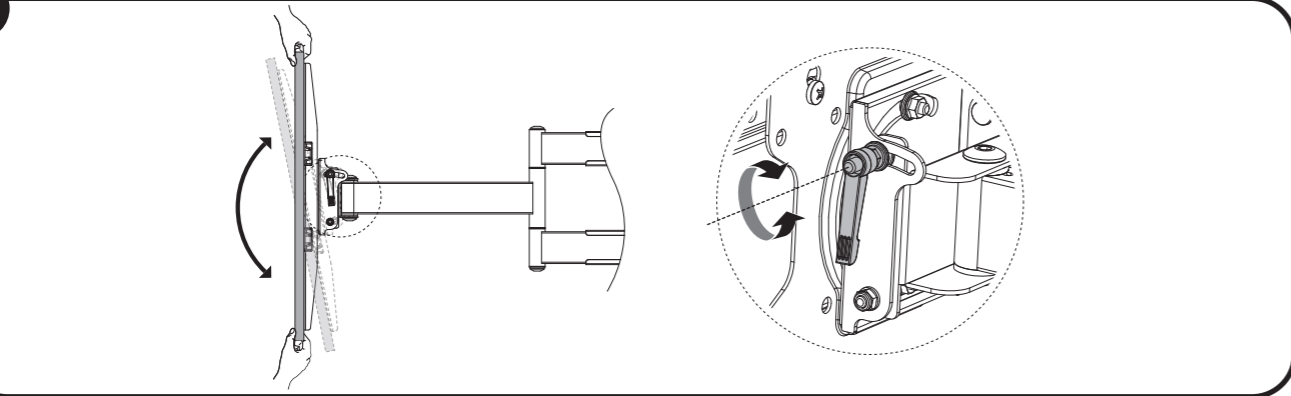


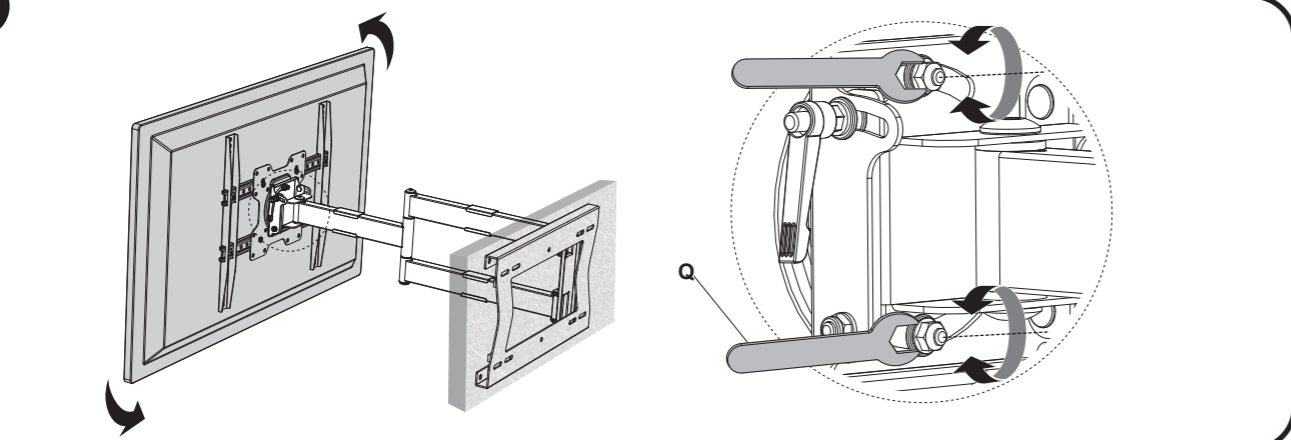
8



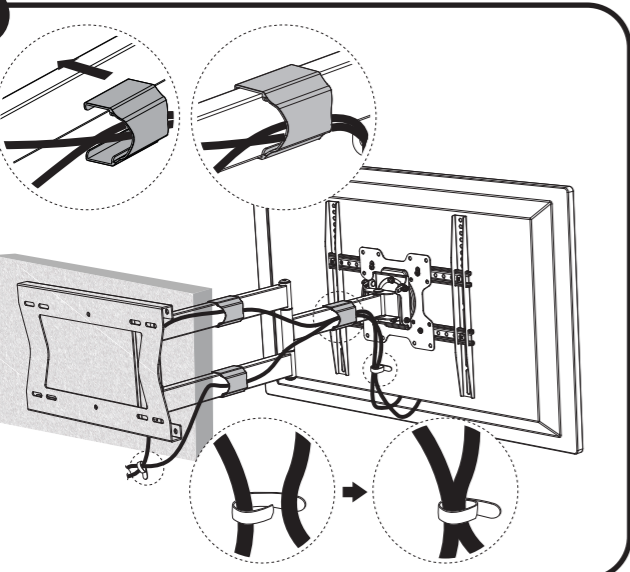
9



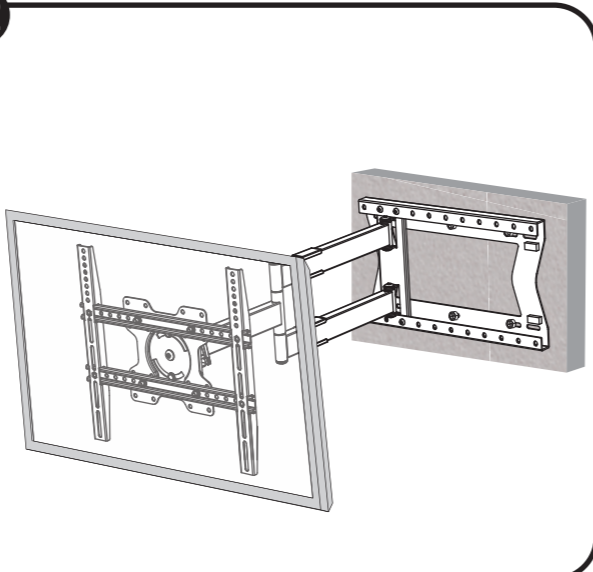
10



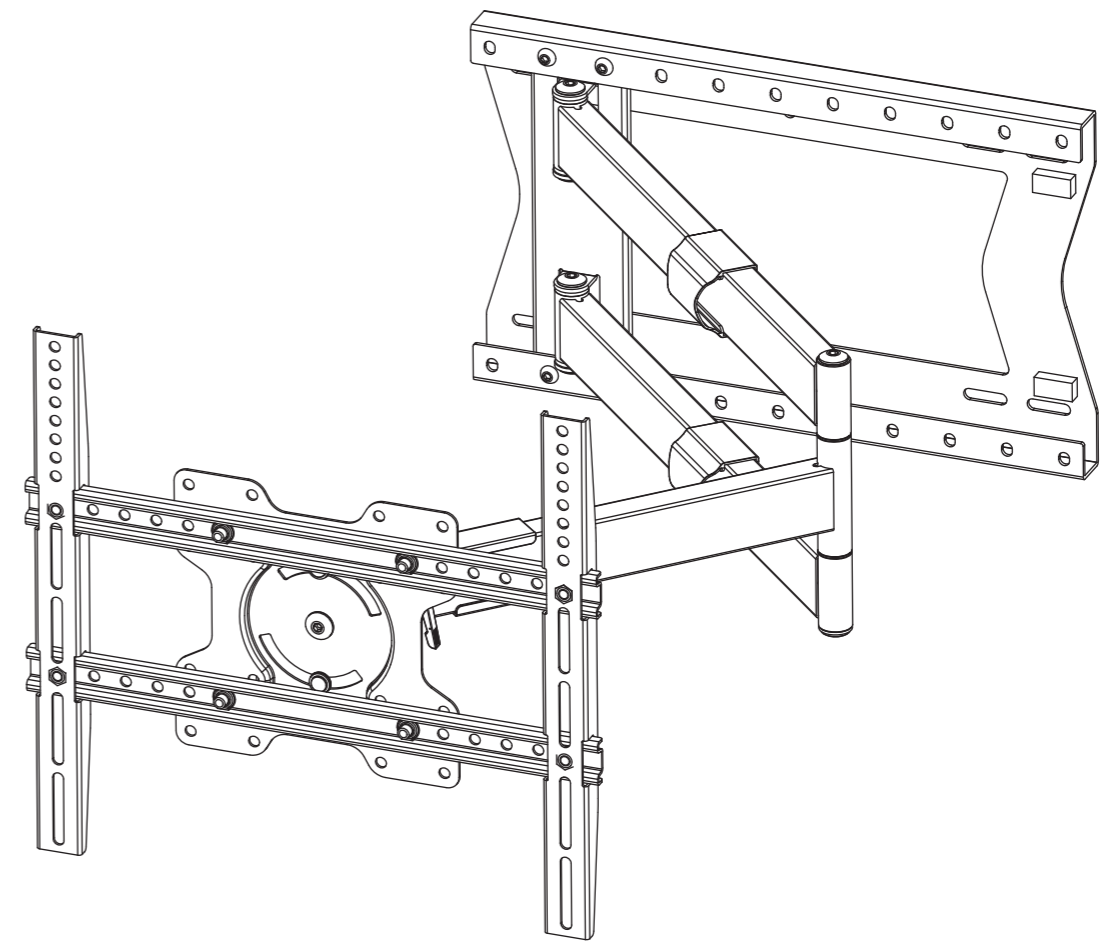
11



12



# LED/LCD/Plasma Wall Support



LA2070

## MOUNTING INSTRUCTIONS