

BATAVIA

FIXPACK 12 V

Cordless polisher / sander

Akku-Polier- / Schleifmaschine

Polisseuse/ponceuse sans fil

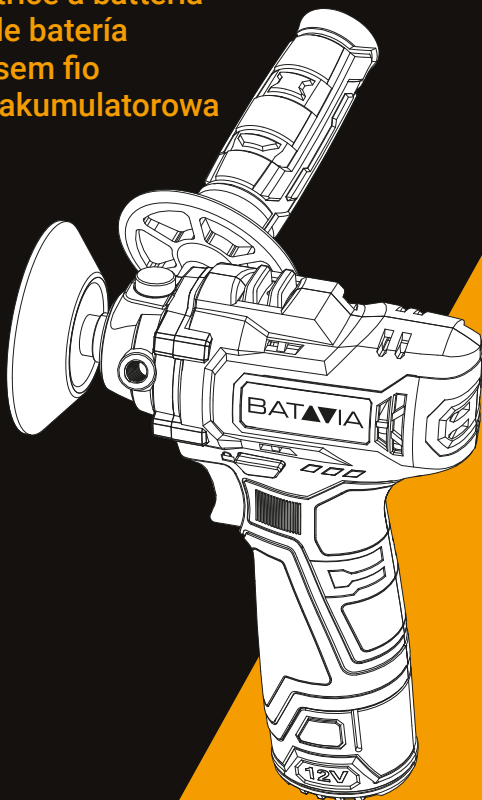
Accu polijst- / schuurmachine

Lucidatrice / levigatrice a batteria

Pulidora / lijadora de batería

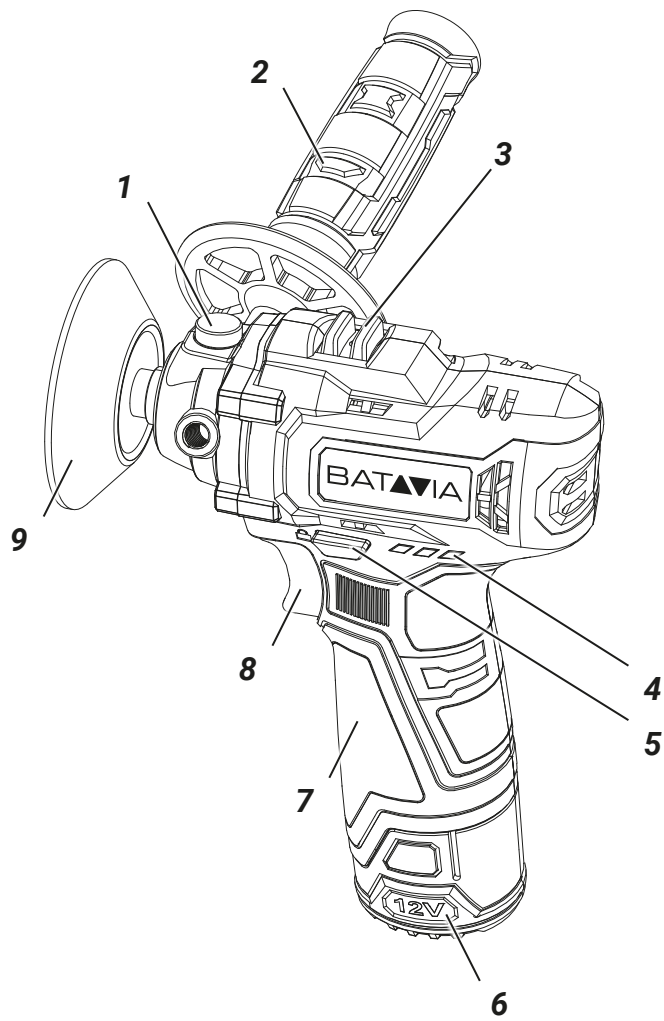
Polidora / lixadora sem fio

Polerka / szlifierka akumulatorowa



Operating instructions

Model: BT-CP002
Item-No.: 7064218
www.bataviapower.com





Overview

1. Spindle lock
2. Side handle
3. 2-gear speed switch
4. Battery charge indicator
5. Lock button
6. Battery **(not included)**
7. Insulated gripping surface
8. On-off switch
9. Polish disc

Contents

Safety Instructions	4
Before use	5
During use	5
Before first use	6
Intended use	6
Operation	6
Accessories	6
Maintenance and Cleaning	6
Technical data.	6
Disposal	7
EC-Declaration of conformity	7

Prefer a digital instead of a paper manual or another language than English?



EN: Go to bataviapower.com or scan the QR-code. Less paper, more digital.

DE: Gehen Sie zu Bataviapower.com oder scannen Sie den QR-Code

FR: Allez sur Bataviapower.com ou scannez le code QR

NL: Ga naar Bataviapower.com of scan de QR-code

IT: Vai a Bataviapower.com o scansiona il codice QR

ES: Ir a Bataviapower.com o escanear el código QR

PT: Ir a Bataviapower.com ou digitalizar o código QR

PL: Wejdź na stronę Bataviapower.com lub zeskanuj kod QR



Dear customer

Please familiarize yourself with the proper usage of the device by reading and following each chapter of this manual, in the order presented. Keep these operating instructions for further reference.

Please read all safety instructions!

This manual contains important information on operating and handling the device. Keep these operating instructions for further reference. Please pass it on along with the unit if it is handed over to a third party.

Battery and charger not included!

The battery is available separately under art. No: 7064221 (2Ah). The charger is available separately under art. No: 7064222 (2.4A) or 7064223 (0.4A).

These items are available online and in participating stores.

1. Explanation of the symbols

The following symbols are used in the user manual or on the product:



Warning! To reduce the risk of injury, the user must read the instruction manual.



Denotes risk of personal injury, loss of life or damage to the tool in case of non-observance of the instructions in this manual.



Always wear hearing protection. The effects of noise can cause hearing loss.



Wear safety glasses. When working with electric power tools, sparks, splinters, chips and dust particles may be generated and these can cause loss of sight.



Wear safety gloves!



Variable speed control.



CE stands for "Conformité Européenne", which means "In accordance with EU Regulations". With the CE marking, the manufacturer confirms that this

Electric tool complies with the applicable European directives.



Do not dispose of electric power tools with domestic refuse.

2. Machine specific safety warnings for polishers

- This power tool is intended to function as a polisher. Read all safety warnings, instructions, illustrations and specifications provided with this power tool. Failure to follow all instructions listed below may result in electric shock, fire and/or serious injury.
- Operations such as grinding, wire brushing or cutting-off are not recommended to be performed with this power tool. Operations for which the power tool was not designed may create a hazard and cause personal injury.
- Do not use accessories which are not specifically designed and recommended by the tool manufacturer. Just because the accessory can be attached to your power tool, it does not assure safe operation.
- The rated speed of the accessory must be at least equal to the maximum speed marked on the power tool. Accessories running faster than their rated speed can break and fly apart.
- The outside diameter and the thickness of your accessory must be within the capacity rating of your power tool. Incorrectly sized accessories cannot be adequately guarded or controlled.
- Threaded mounting of accessories must match the polisher spindle thread. For accessories mounted by flanges, the arbour hole of the accessory must fit the locating diameter of the flange. Accessories that do not match the mounting hardware of the power tool will run out of balance, vibrate excessively and may cause loss of control.
- Do not use a damaged accessory. Before each use inspect the accessory for cracks, tear or excess wear. If power tool or accessory is dropped, inspect for damage or install an undamaged

accessory. After inspecting and installing an accessory, position yourself and bystanders away from the plane of the rotating accessory and run the power tool at maximum no-load speed for one minute. Damaged accessories will normally break apart during this test time.

- Wear personal protective equipment. Depending on application, use face shield, safety goggles or safety glasses. As appropriate, wear dust mask, hearing protectors, gloves and workshop apron capable of stopping small abrasive or work-piece fragments. The eye protection must be capable of stopping flying debris generated by various operations. The dust mask or respirator must be capable of filtrating particles generated by your operation. Prolonged exposure to high intensity noise may cause hearing loss.
- Keep bystanders a safe distance away from work area. Anyone entering the work area must wear personal protective equipment. Fragments of work-piece or of a broken accessory may fly away and cause injury beyond immediate area of operation.
- Never lay the power tool down until the accessory has come to a complete stop. The spinning accessory may grab the surface and pull the power tool out of your control.
- Do not run the power tool while carrying it at your side. Accidental contact with the spinning accessory could snag your clothing, pulling the accessory into your body.
- Regularly clean the power tool's air vents. The motor's fan will draw the dust inside the housing and excessive accumulation of powdered metal may cause electrical hazards.
- Do not operate the power tool near flammable materials. Sparks could ignite these materials.
- Do not use accessories that require liquid coolants. Using water or other liquid coolants may result in electrocution or shock.

Attention: The sander is not designed for wet sanding.

- Do not immerse the machine in liquids
- Make sure the sanding paper is correctly in place before switching on.
- Avoid moving parts while working. There is danger of injury!
- Never sand materials containing asbestos.
- Please note that poisonous dust may be formed e. g. when sanding paint, which contains lead, while processing some kinds of wood or metal. The dust forming during operation may be hazardous to your health, combustible or explosive. Wear safety goggles, dust protection and ear protection

3. Before use

- Remove any packing material and loose parts from unit.
- Check the accessories before use. It should be fit with the machine and your purpose.
- If the machine is new, the battery must first be charged.
- Battery is housed in the handle, press the battery retention clips, and remove battery from handle.
- A substantial drop in operating period per charge indicates that the battery is worn out and must be replaced.

Attention! After long time storage, the battery capacity will be reduce.

Battery charger

- The power voltage supply must conform to that specified on the rating plate of the rapid charger.
- Always inspect battery charger, cord and plug before use.
- Always have damage repaired by a qualified professional.
- Protect battery charger against humidity and operate only in dry areas.
- The supplied charger is suitable for charging batteries only.

4. During use

- Hold power tool by insulated gripping surfaces **(7)**, during operation when the

machine may contact hidden wiring a "live" wire may make exposed metal parts of the power tool "live" and could give the operator an electric shock.

- In case of electrical or mechanical malfunction, immediately switch off the tool or unplug charger from power source.

5. Before first use

Remove the machine and the accessories from the packaging. Check the machine for transport damage and do not use the machine in case of damages. Keep the packing materials away from children, risk of suffocation!

6. Intended use

This power tool is to be used as a polisher and sandpaper sander, it is not suitable for cutting, roughing and wire brushing. Do not use any accessories that have not been specifically provided or recommended for this power tool by the manufacturer.

7. Operation

7.1 Spindle lock function

Press the spindle lock **(1)** to prevent spindle rotation when installing or removing accessories

7.2 2-gear speed

The speed can be adjusted by the 2-gear speed button **(3)** between a high speed 0-7800/min or a lower speed 0-2600/min

7.3 Lock button

Before use, press the lock button **(5)** on the side with the symbol to unlock the ON/OFF switch **(8)**, then press the ON/OFF switch **(8)**.

- After use, release the ON/OFF switch, then press the lock button on the side with the symbol to lock the ON/OFF switch.

7.4 On/Off Trigger

- Use the On/Off trigger to start the machine and keep holding it for continuous operation.
- The rotation speed can be varied by depressing the On/Off trigger. The more the trigger is pressed, the faster the rotation speed.

- To switch the machine off, release the On/Off trigger

8. Accessories

Use only accessories with an allowable speed matching at least the highest no-load speed of the tool.

9. Maintenance and Cleaning

WARNING: Always disconnect from the mains power supply, before carrying out any maintenance/ cleaning of the charger. Remove the battery before carrying out any maintenance/cleaning of the tool.

9.1 Maintenance

There are no inner parts of the tool which need maintenance.

9.2 Cleaning

- Keep safety devices, ventilation openings and the motor housing as free as possible from dirt and dust. Rub the electric power tool with a clean cloth or blow over it with low pressure compressed air.
- We recommend that you clean your electric power tool immediately after each use.
- Clean the electric power tool regularly with a damp cloth and somewhat soft soap.

Do not use any cleaning or solvent materials; these can attack the device's plastic components. Make sure that no water can get inside the electric power tool.

10. Technical data

Speed	0-2600/0-7800 min ⁻¹
Pad size	Ø 75mm
Drive spindle thread	M6
Weight	0.67 kg
Sound Pressure Level L _{pA}	80 dB(A)
Uncertainty K _{pA}	3 dB
Sound Power Level L _{WA}	91 dB(A)
Uncertainty K _{WA}	3 dB
Hand Arm Vibration	
Main handle	4.700 m/s ²
Uncertainty K	1.5 m/s ²
Auxiliary handle	3.334 m/s ²
Uncertainty K	1.5 m/s ²

10.1 Noise/Vibration information

Measured sound values determined according to EN 60745.

Wear hearing protection!

Vibration total values (triax vector sum) determined according to EN 60745:

The vibration emission level given in this information sheet has been measured in accordance with a standardized test given in EN 60745 and may be used to compare one tool with another.

It may be used for a preliminary assessment of exposure.

The declared vibration emission level represents the main applications of the tool.

However if the tool is used for different applications, with different accessories or poorly maintained, the vibration emission may differ. This may significantly increase the exposure level over the total working period.

An estimation of the level of exposure to vibration should also take into account the times when the tool is switched off or when it is running but not actually doing the job.

This may significantly reduce the exposure level over the total working period.

Identify additional safety measures to protect the operator from the effects of vibration such as: maintain the tool and the accessories, keep the hands warm, organisation of work patterns.

Vibration risk limitation suggestions:

- 1) Wear gloves during operation
- 2) Limit operating time and shorten trigger time.

11. Disposal



Do not dispose of electric power tools with domestic refuse.

The electric power tool is shipped in packaging to reduce transport damage. This packaging is a raw material and as such can either be reused or can be fed back into the raw material cycle. The electric power tool and its accessories are made from various materials such as metals and plastics. Take defective components to a special refuse collection point. Ask about these at your specialist shop or

local council. The product and the user manual may be subject to changes. Technical data may be changed without prior notice.

11.1 Batteries

Think of the environment when disposing of batteries. Contact your local authorities to find out where your nearest disposal area is. Do not dispose of batteries with domestic refuse.

Do not dispose of by burning, risk of explosion.

12. EC-Declaration of conformity

We, the **Batavia B.V., Weth. Wassebaliestraat 6d, NL-7951 SN Staphorst**, declare by our own responsibility that the product **Cordless Polisher / Sander, Model BT-CP002, Item-No 7064218** is according to the basic requirements, which are defined in the European Directives Electromagnetic Compatibility **2014/30/EU (EMC)**, **2006/42/EC (Machinery)**, **2011/65/EU (RoHS)** and their amendments. For the evaluation of conformity, the following harmonized standards were consulted:

EN60745-1:2009/A11:2010
EN60745-2-3:2011/A13:2015
AfPS GS 2019:01 PAK
EK9-BE-91(V4):2020
EN55014-1:2017
EN55014-2:2015

Staphorst, 09 March 2022

Meino Seinen, QA Representative Batavia B.V., Weth. Wassebaliestraat 6d, 7951 SN Staphorst, Netherlands

The product and the user manual may be subject to changes. Technical data may be changed without prior notice.

BATAVIA

2 YEAR WARRANTY

This product has got a 2 year warranty

Dear Client, if for any reason this product is not working, please ensure you contact our [Client Service Centre](#). Ensure you have your original receipt of purchase. This warranty covers all defects in workmanship or materials in this Batavia product for a two year period from the date of purchase. The warranty does not cover any malfunction, or defect resulting from misuse, neglect, alteration, or repair.

Dieses Produkt hat 2 Jahre Garantie

Sehr geehrter Kunde, unsere Produkte unterliegen einer strengen Qualitätskontrolle. Sollte dieses Gerät nicht einwandfrei sein, so wenden Sie sich bitte immer zuerst an unseren [Kundenservice](#). Bitte bewahren Sie unbedingt den Kaufbeleg auf. Die Garantieleistung gilt nur für Material- oder Fabrikationsfehler. Ausgeschlossen sind Mängel die durch häufigen Gebrauch, missbräuchlicher und unsachgemäßer Behandlung oder Gewalteinwirkung verursacht worden sind.

Ce produit a 2 ans de garantie

Cher client, si pour une raison quelconque, ce produit ne fonctionne pas, veuillez contacter notre [Centre de service après-vente](#). Conservez le bon d'achat original. Cette garantie couvre tous les défauts de matériau et de main d'œuvre constatés sur ce produit Batavia pendant une période de deux ans à compter de la date d'achat. Les défauts de fonctionnement et autres résultant d'abus ou de mauvais emploi, de négligence, de modifications ou réparations non autorisées sont exclus de la garantie.

Dit product heeft 2 jaar garantie

Geachte klant, onze producten ondergaan een streng kwaliteitscontrole proces. Wanneer dit product niet correct functioneert, wend u zich alstublieft altijd eerst tot onze [Klantenservice](#). Bewaar altijd uw aankoopbewijs. De garantieservice is alleen van toepassing op materiaal- of productiefouten. Uitgesloten zijn gebreken veroorzaakt door intensief gebruik, misbruik en incorrecte behandeling of extern geweld.

Questo prodotto è garantito per 2 anni

Gentile Cliente, se per una qualche ragione il prodotto non funziona, La invitiamo a mettersi in contatto con il nostro [Centro Assistenza Clienti](#). Si accerti di avere la ricevuta originale dell'acquisto. La garanzia copre tutti i difetti di fabbricazione o di materiale in questo prodotto Batavia per un periodo di 2 anni dalla data di acquisto. La garanzia non copre malfunzionamenti o difetti derivanti da uso inappropriato, improprio, da modifiche o riparazioni.

Este producto tiene dos años de garantía

Estimado cliente: si por cualquier razón este producto no funciona, póngase en contacto con nuestro [Centro de Atención al Cliente](#). Asegúrese de tener a mano la factura de compra original. Esta garantía cubre todos los defectos de mano de obra o materiales de este producto de Batavia por un periodo de dos años a partir de la fecha de compra. La garantía no cubre ningún mal funcionamiento o defectos resultantes del mal uso, negligencia, alteración o reparación.


Este produto tem uma garantia de 2 anos

Estimado Cliente, se, por qualquer motivo, este produto não estiver a funcionar devidamente, contacte o nosso [Centro de Apoio ao Cliente](#). Certifique-se de que possui a prova de compra original. Esta garantia cobre todos os defeitos de fabrico ou materiais do produto Batavia durante um período de dois anos, a contar da data de compra. A garantia não cobre quaisquer avarias ou defeitos resultantes de um uso indevido, negligência, modificações ou reparações.

Produkt posiada 2-letnią gwarancję.

Szanowny Kliencie! Jeśli z jakiegokolwiek powodu niniejszy produkt nie działa, prosimy skontaktować się z naszym [Centrum obsługi serwisowej](#). Upewnij się, że posiadasz oryginalny dowód zakupu. Niniejsza gwarancja obejmuje wszystkie wady produkcyjne i materiałowe w produktach Batavia przez okres dwóch lat od daty zakupu. Gwarancja nie obejmuje żadnych usterek lub uszkodzeń wynikających z nieprawidłowego użycia, zaniedbania, modyfikacji lub naprawy.

Deutschland – Kundenservice – Montag bis Freitag von 9 bis 17 Uhr

 **01805 937 832***

Other European countries – Customer Services /

Autres pays d'Europe – Service clientèle /

Overige landen Europa – Klantenservice

Monday till Friday from 8 am until 4 pm / Lundi jusqu'à Vendredi de 9 – 17 heure / Maandag t/m vrijdag van 9 tot 17 uur

 **00800 664 774 00**



*Nur €0,14 /Minute aus dem dt. Festnetz,
max. €0,42/Minute aus den Mobilfunknetzen

Model: BT-CP002
Item-No.: 7064218
www.bataviapower.com
info@batavia.eu

7064218/1 - ENGLISH ONLY

BATAVIA B.V. | Weth. Wassebaliestraat 6d | 7951SN Staphorst | Netherlands