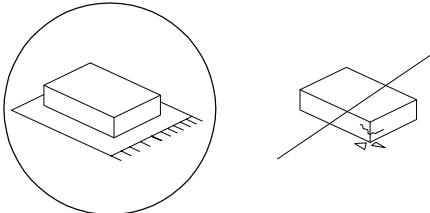
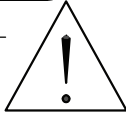

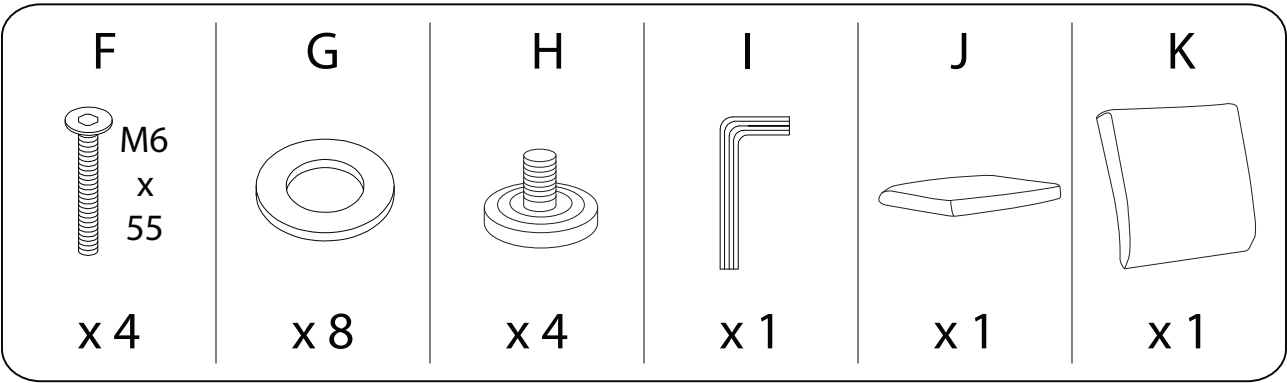
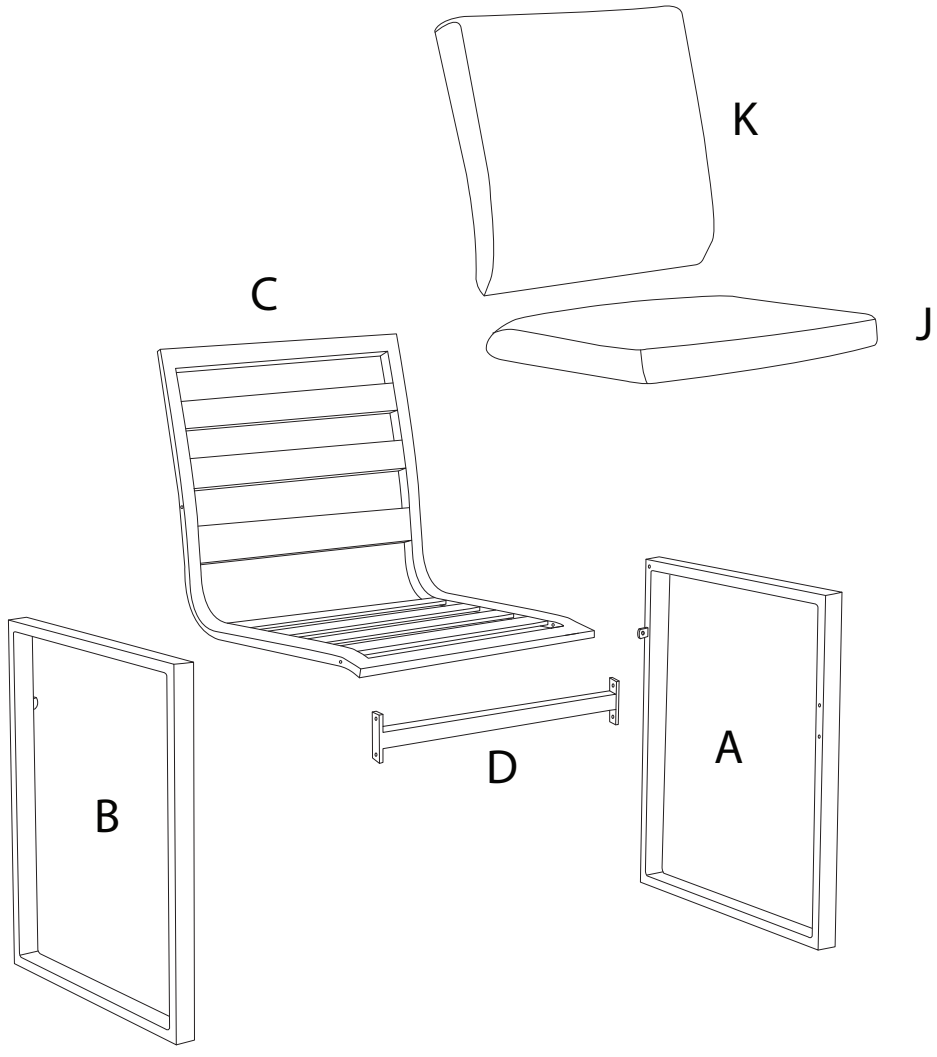
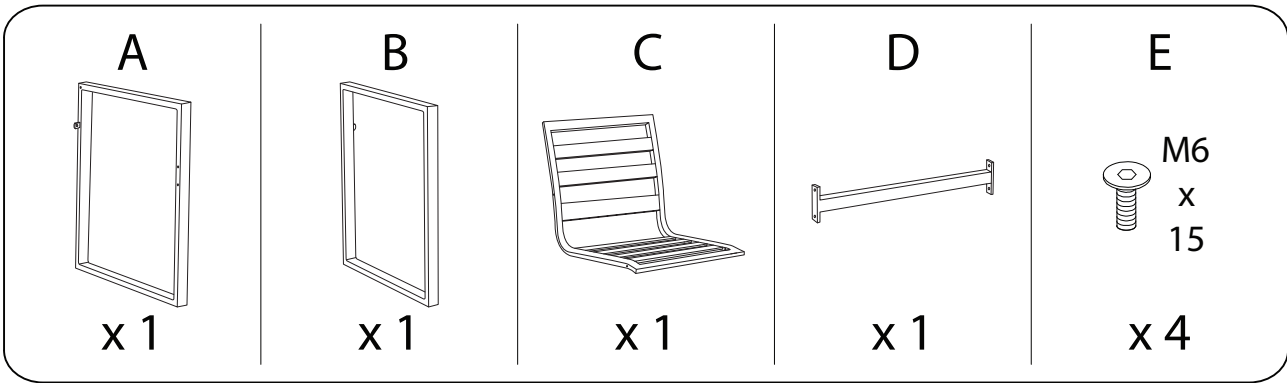
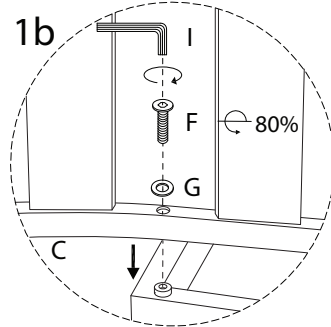
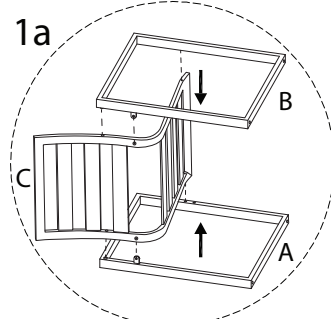
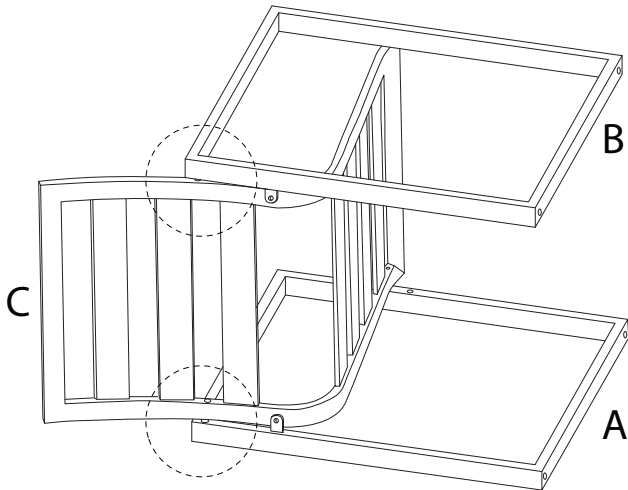
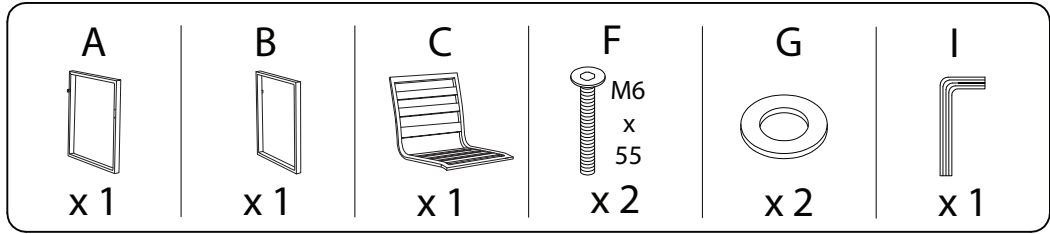
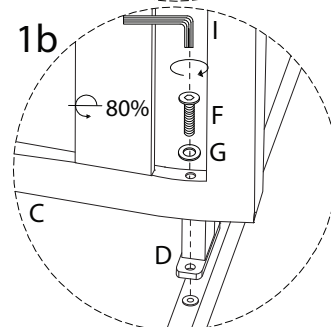
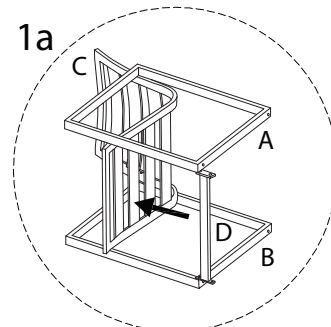
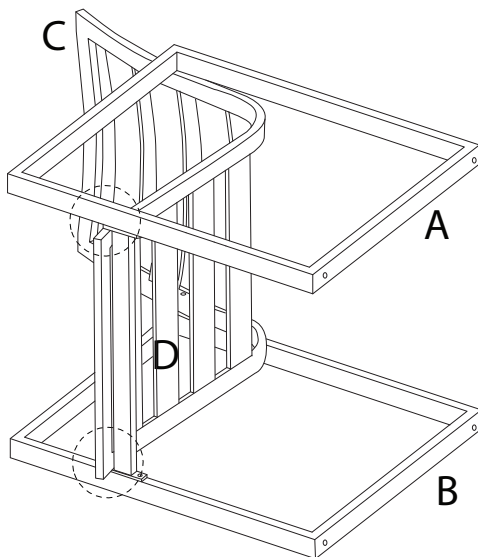
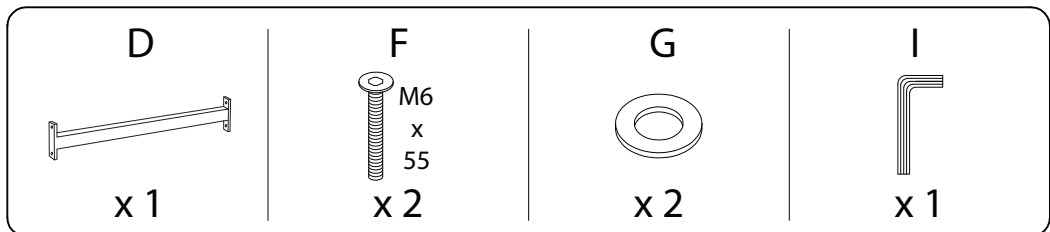

		30'
		
		1



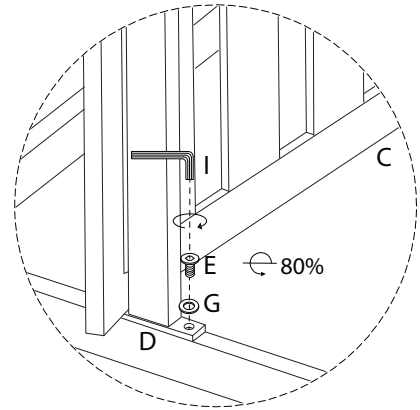
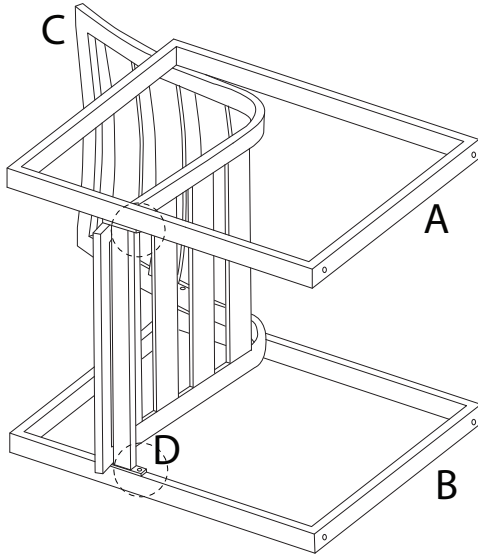
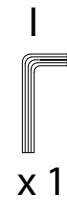
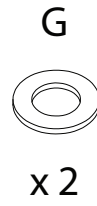
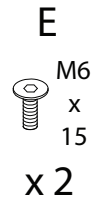
1



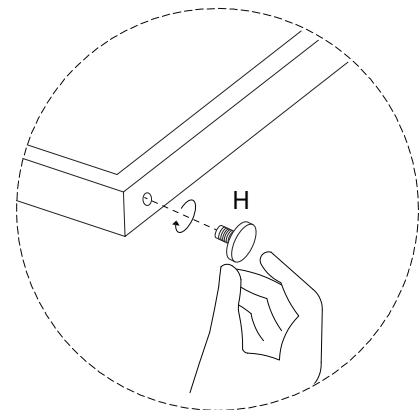
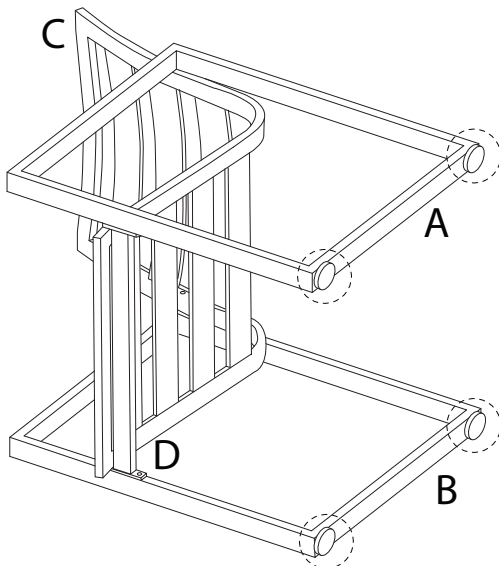
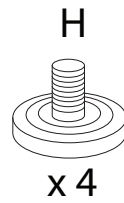
2



3



4

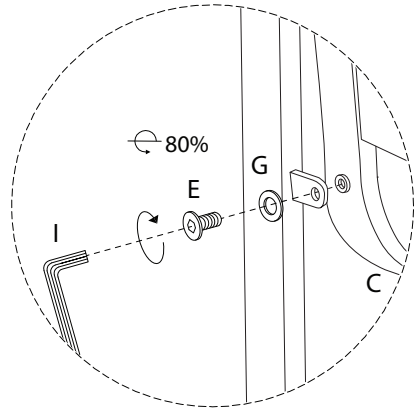
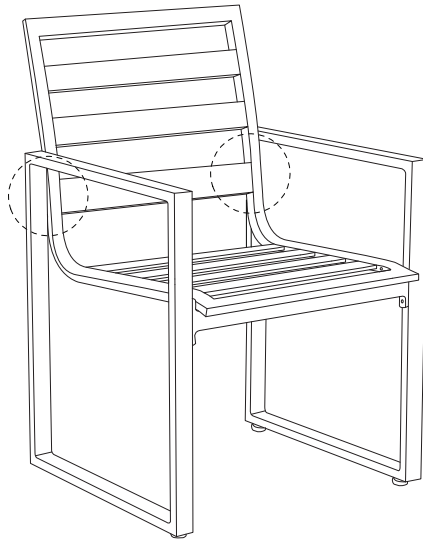


5

E
M6
x
15
x2

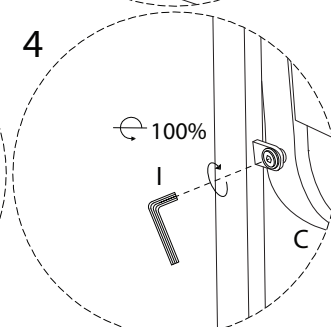
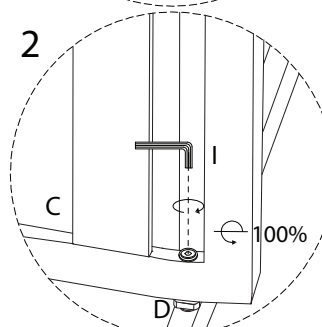
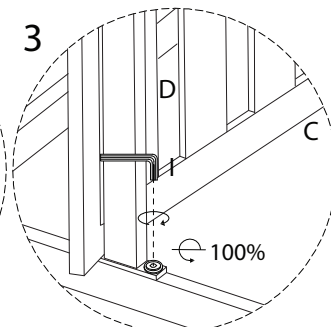
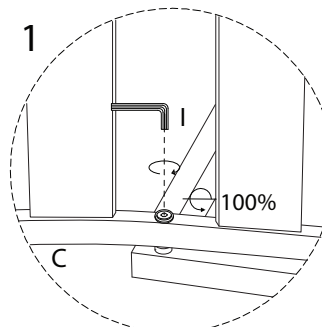
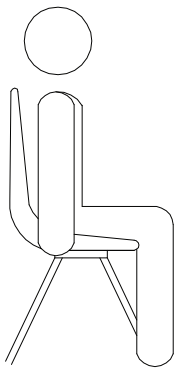
G
x2

I
x1



6

I
x1



7

