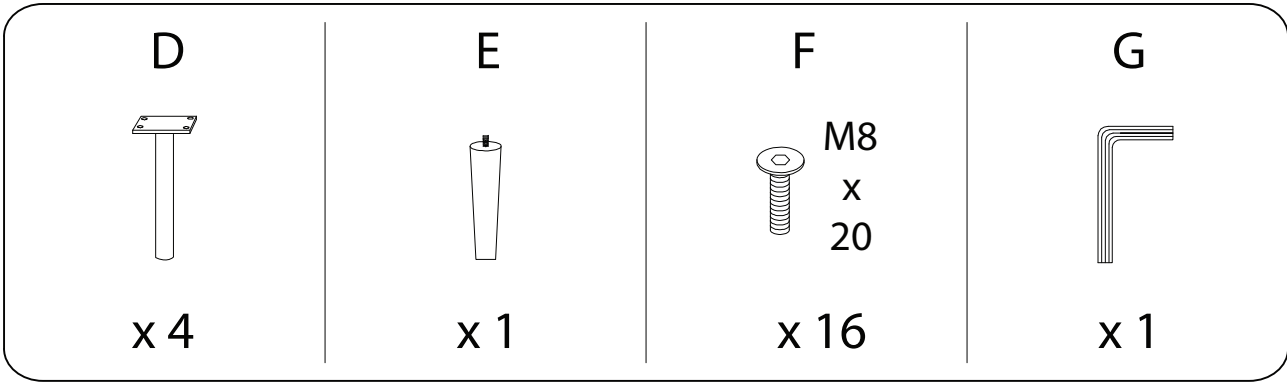
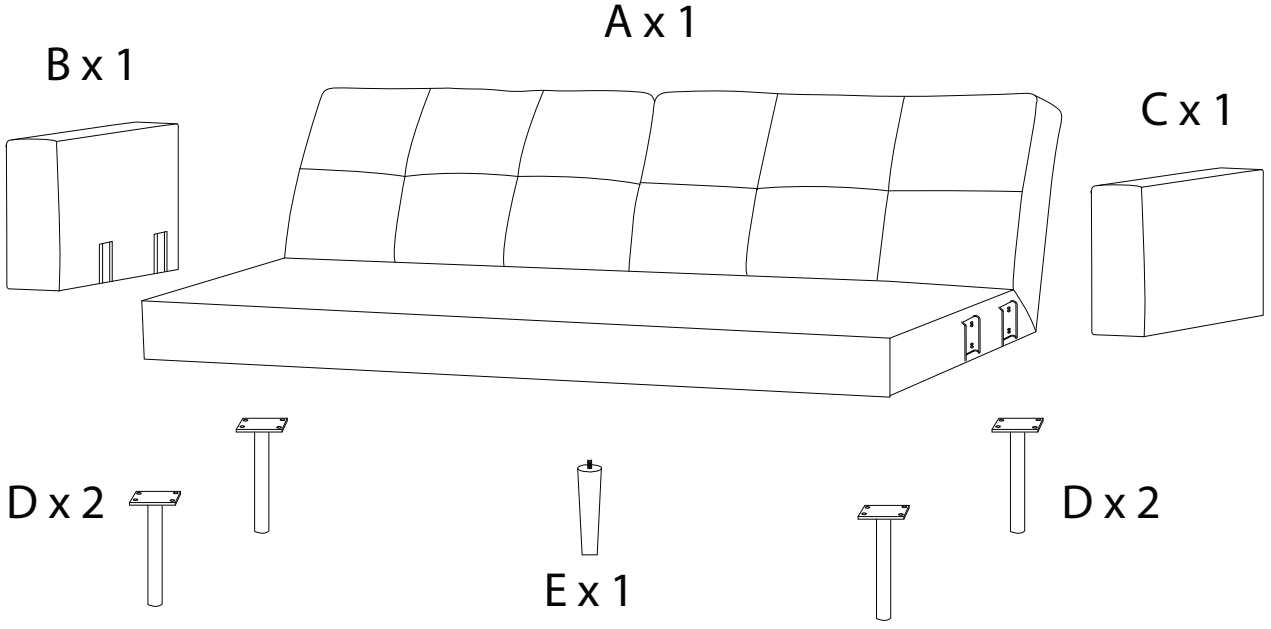
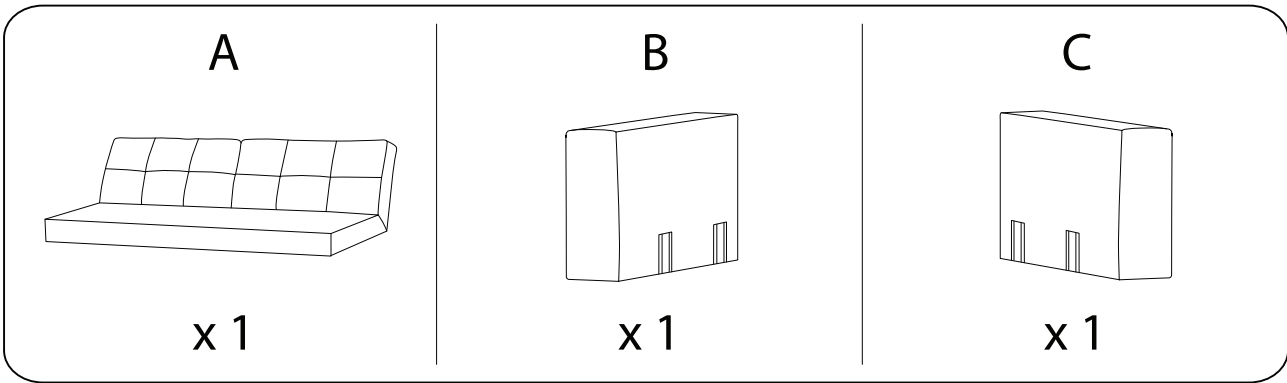
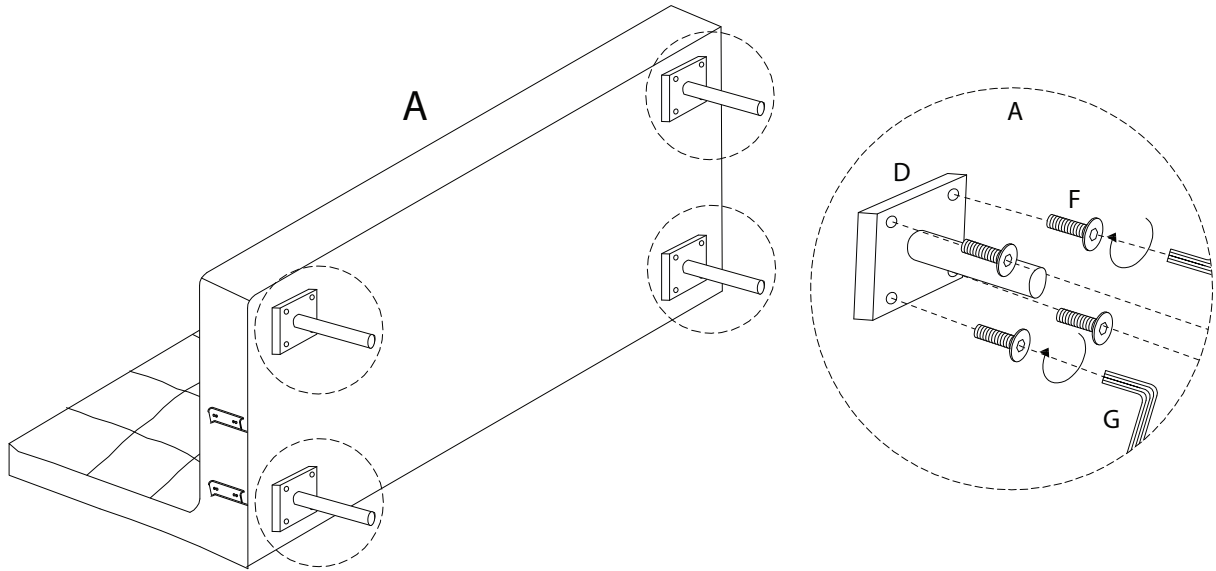
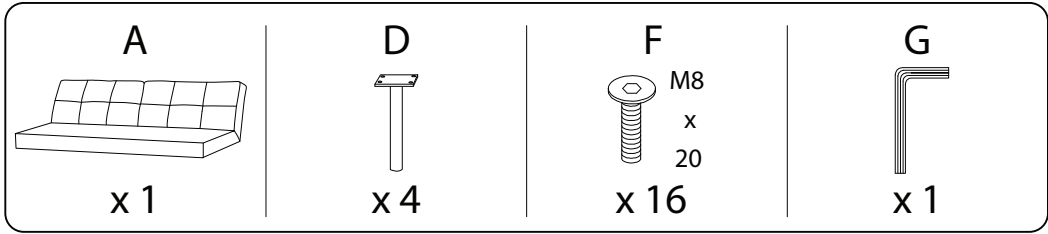


Diagram illustrating assembly instructions and safety warnings:

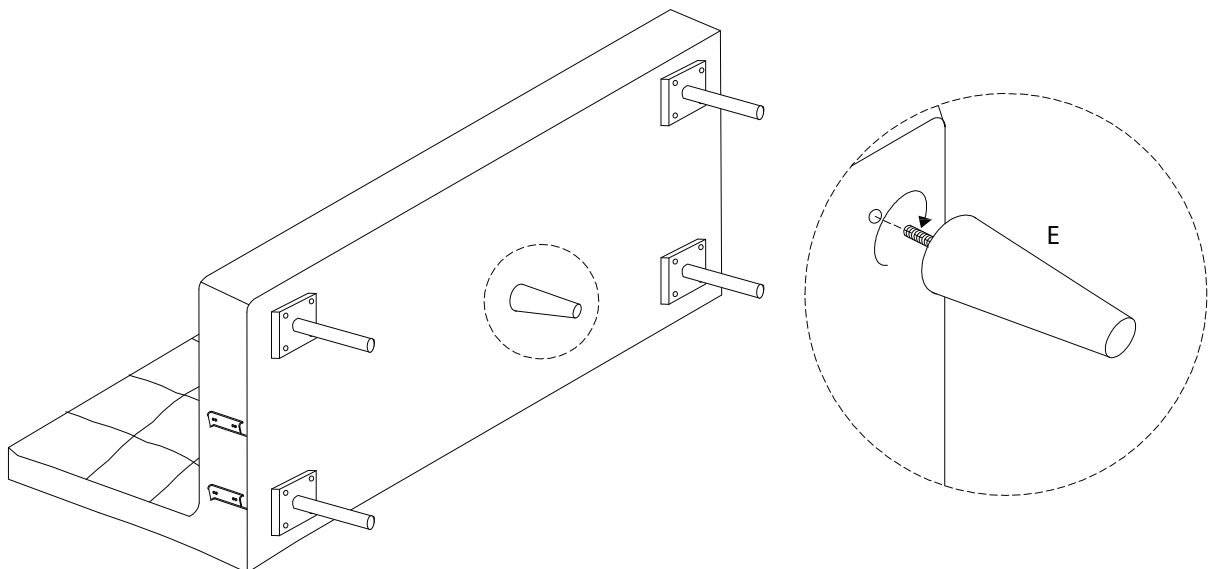
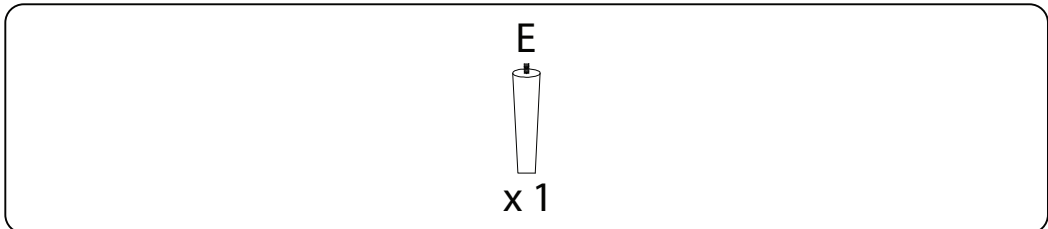
- Warning 1:** A warning triangle with an exclamation mark is positioned above a box containing an L-shaped metal bracket and a power drill with a diagonal slash through it, indicating that a power drill should not be used for this step.
- Warning 2:** A second warning triangle with an exclamation mark is positioned above a box containing a rectangular block being placed on a textured surface and a diagram showing a screw being inserted into the block, indicating a specific assembly step.
- Time:** A clock icon is shown next to the text "20'", indicating an estimated assembly time of 20 minutes.
- Personnel:** An icon of a person is shown next to the number "1", indicating that one person is required for assembly.



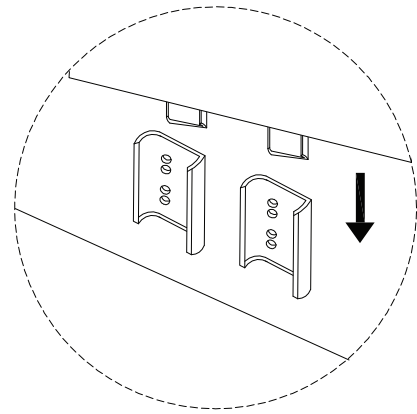
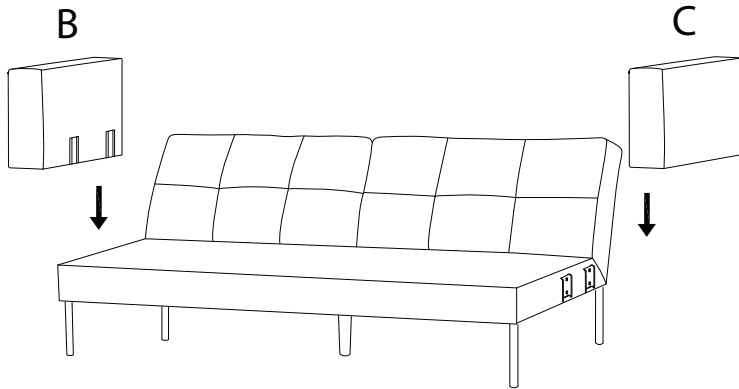
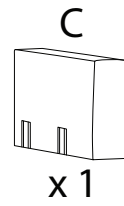
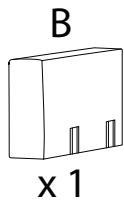
1



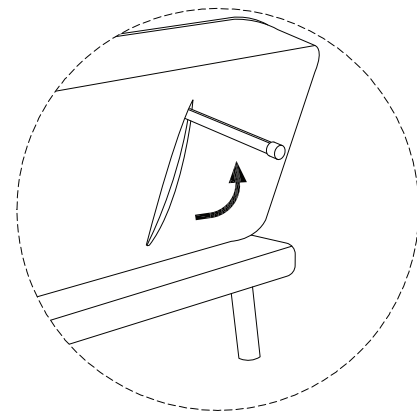
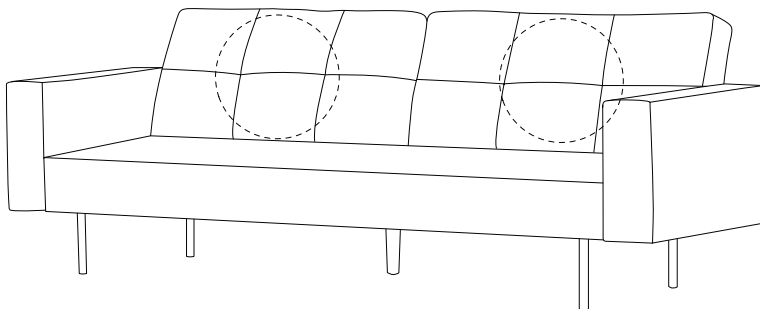
2



3



4



5

