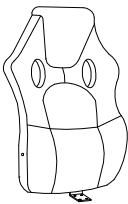
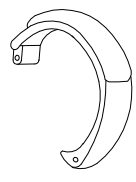

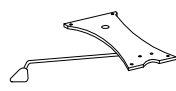
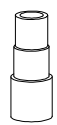

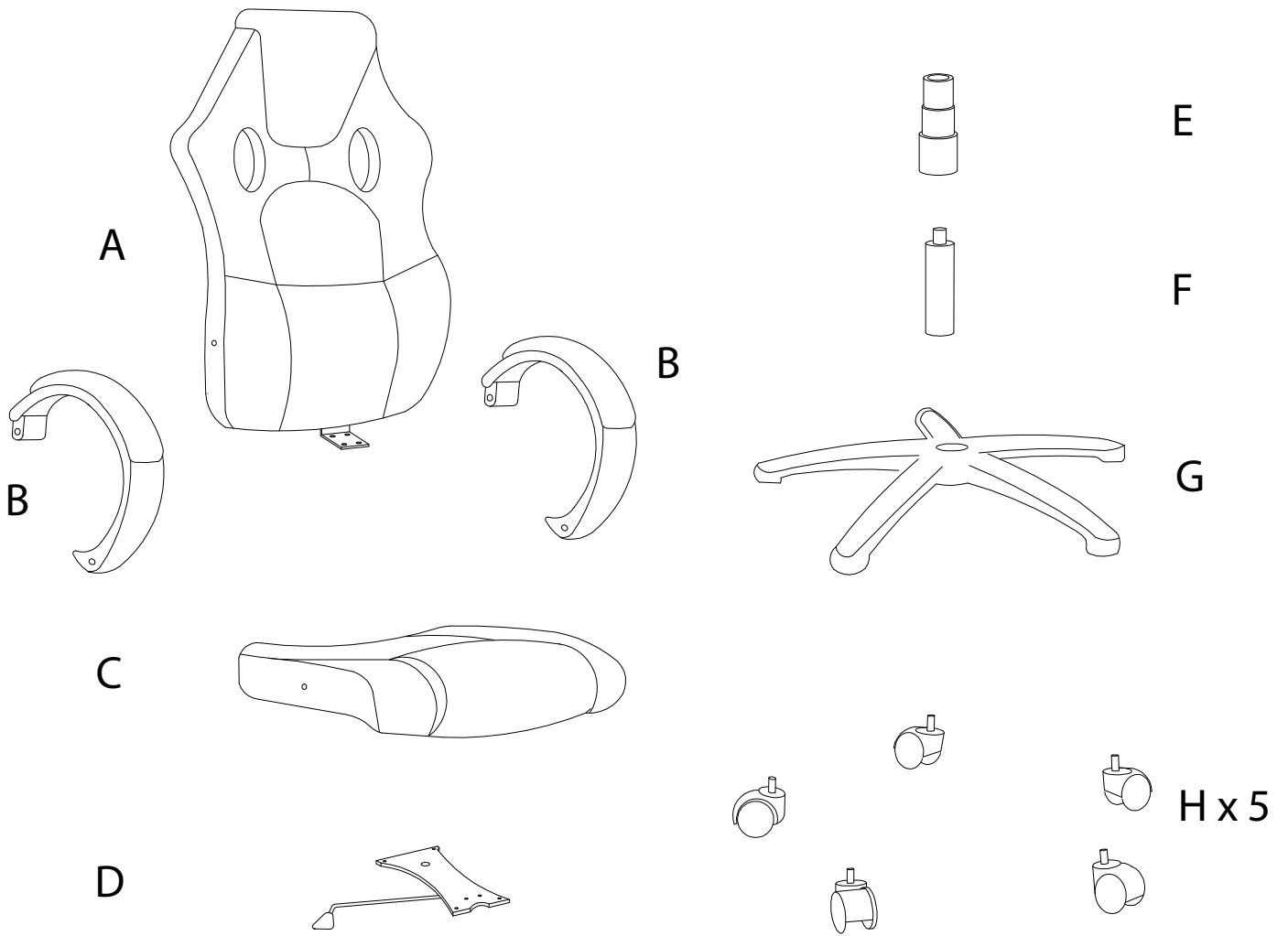

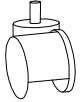


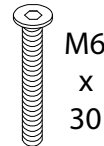
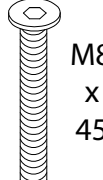
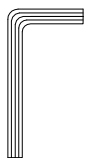


Warning icons and instructions:

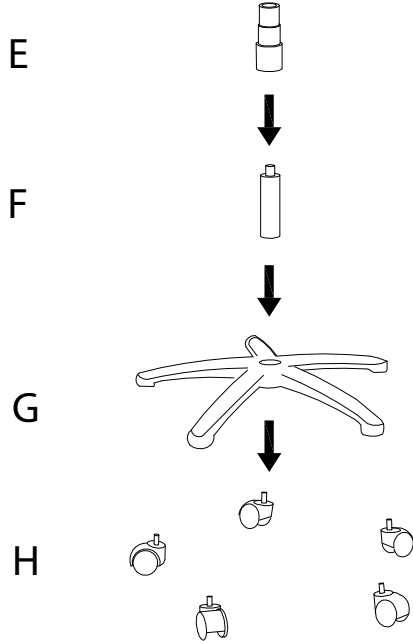
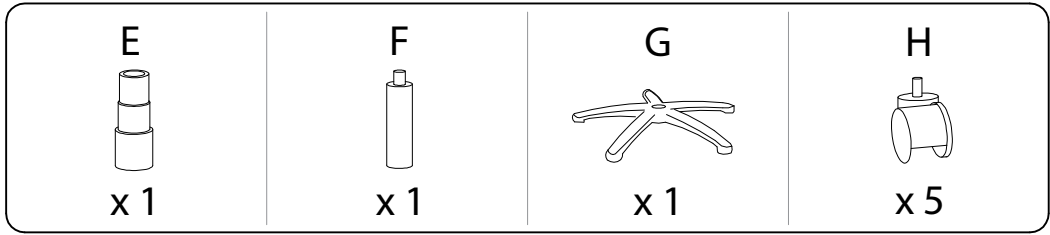
- Top-left: A circle containing an L-shaped corner bracket, next to a crossed-out power drill icon.
- Top-right: A clock icon with the text "40'" below it.
- Bottom-left: A circle containing a rectangular block being placed on a surface, next to a crossed-out icon of a block being cut.
- Bottom-right: A stick figure icon with the number "1" below it.
- Two warning triangles (exclamation marks in triangles) are positioned between the top and bottom rows of icons.

A	B	C	D	E	F
					
x 1	x 2	x 1	x 1	x 1	x 1

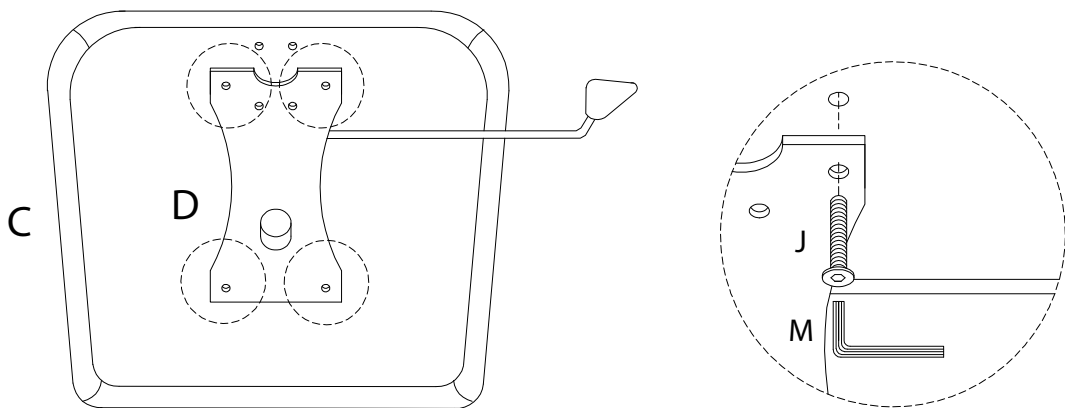
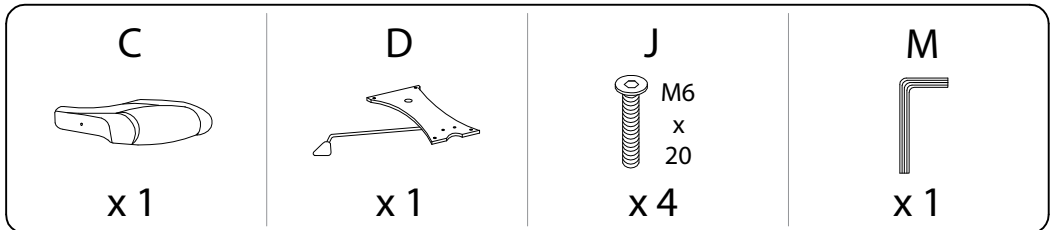


G	H	I	J	K	L	M
						
x 1	x 5	x 4	x 4	x 4	x 4	x 1

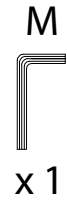
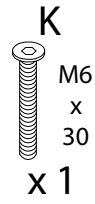
1



2

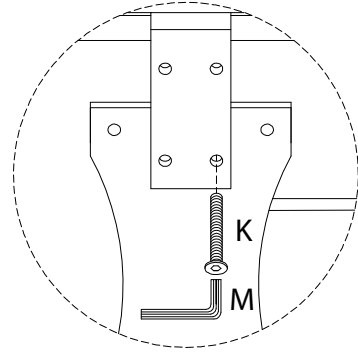
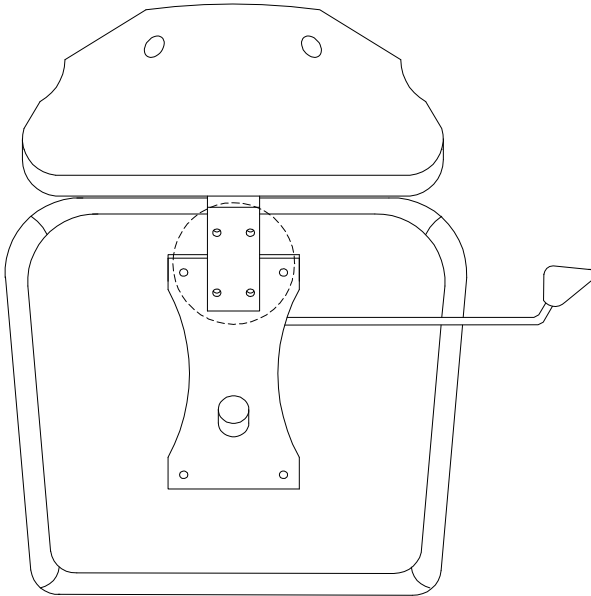


3

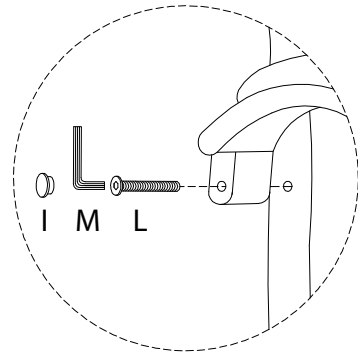
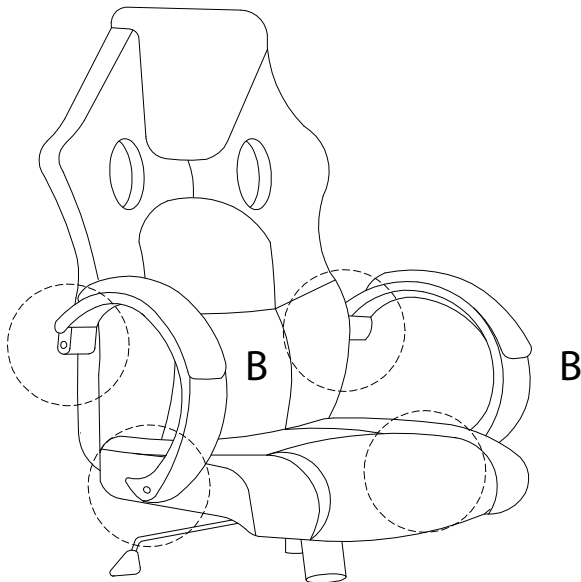
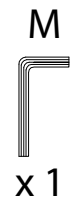
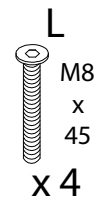
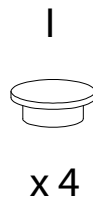
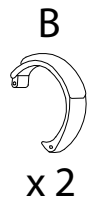


A

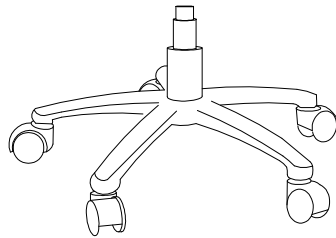
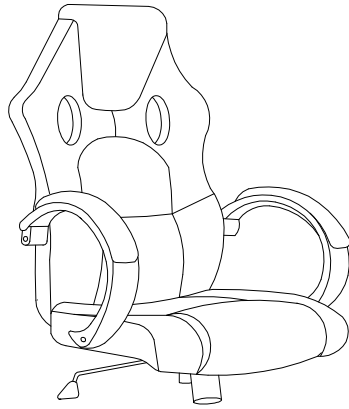
C



4



5



!

