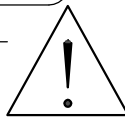
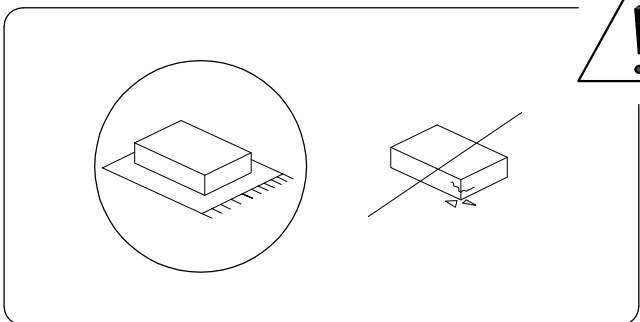

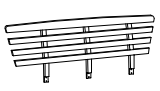
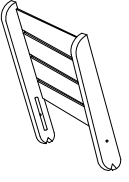
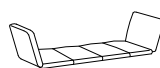

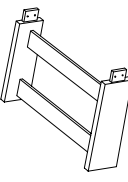


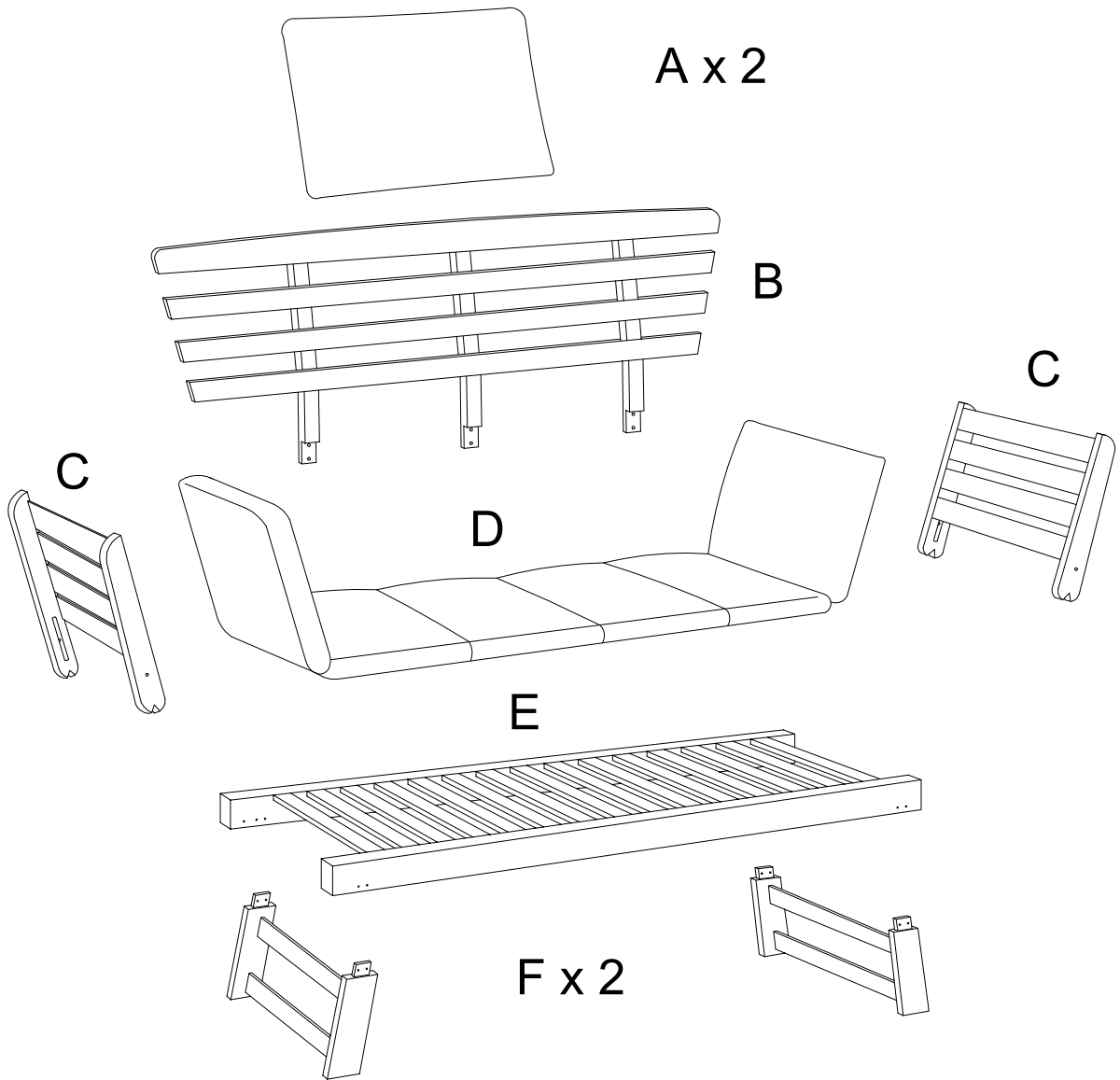
40'

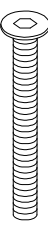
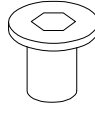
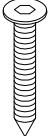
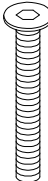
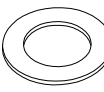
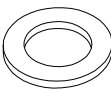
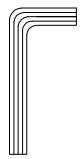


2

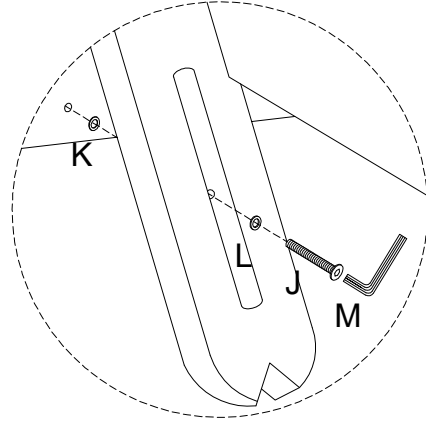
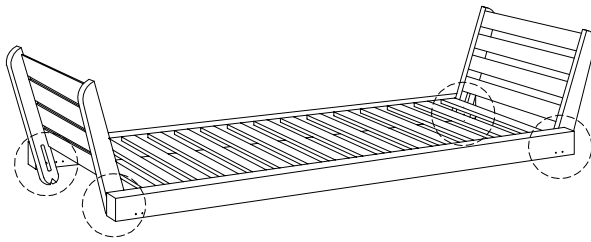
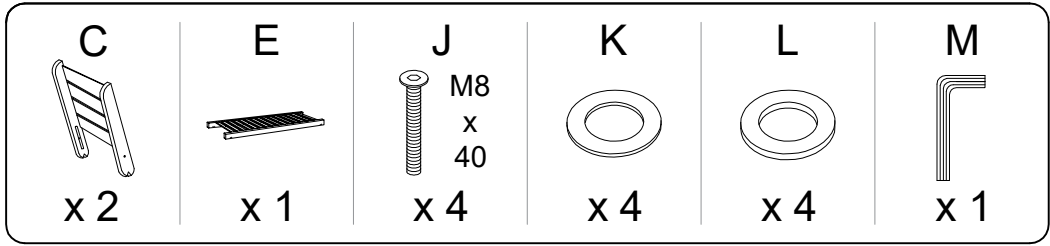
1/4

A	B	C	D	E	F
					
x 2	x 1	x 2	x 1	x 1	x 2

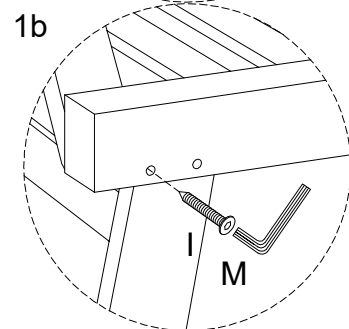
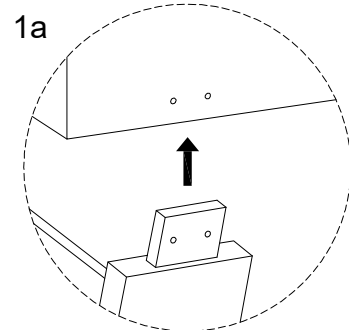
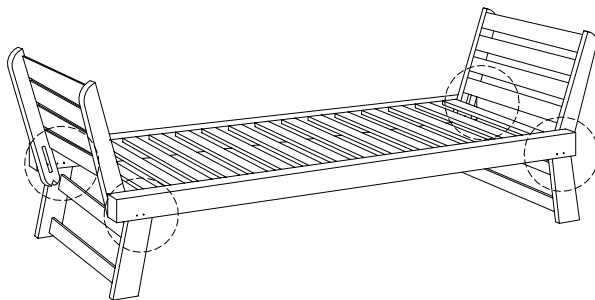
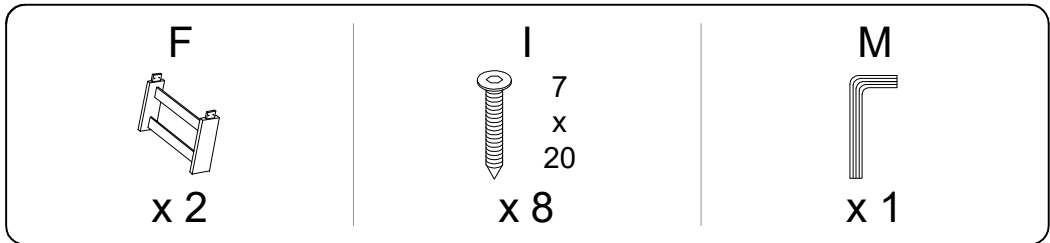


G	H	I	J	K	L	M
 M8 x 50		 7 x 20	 M8 x 40			
x 6	x 6	x 8	x 4	x 4	x 4	x 2

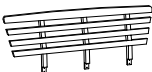
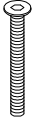

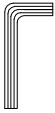
1

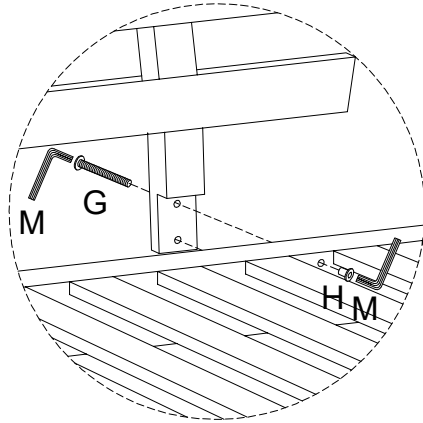
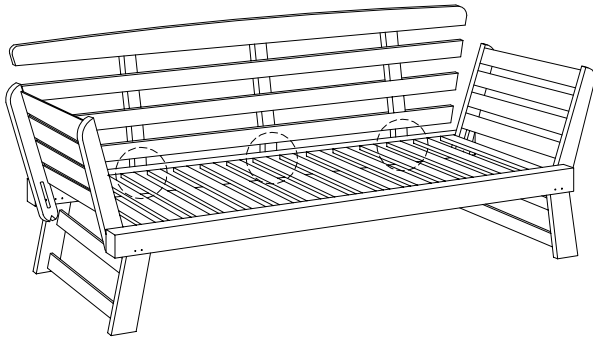


2


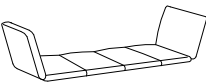


3

<p>B</p>  <p>x 1</p>	<p>G</p>  <p>M8 x 50</p> <p>x 6</p>	<p>H</p>  <p>x 6</p>	<p>M</p>  <p>x 2</p>
--	---	---	--



4

<p>A</p>  <p>x 2</p>	<p>D</p>  <p>x 1</p>
--	--

