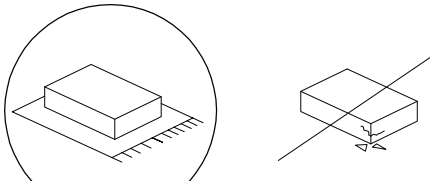

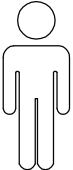
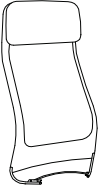
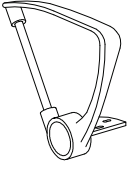

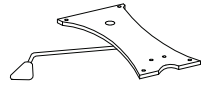
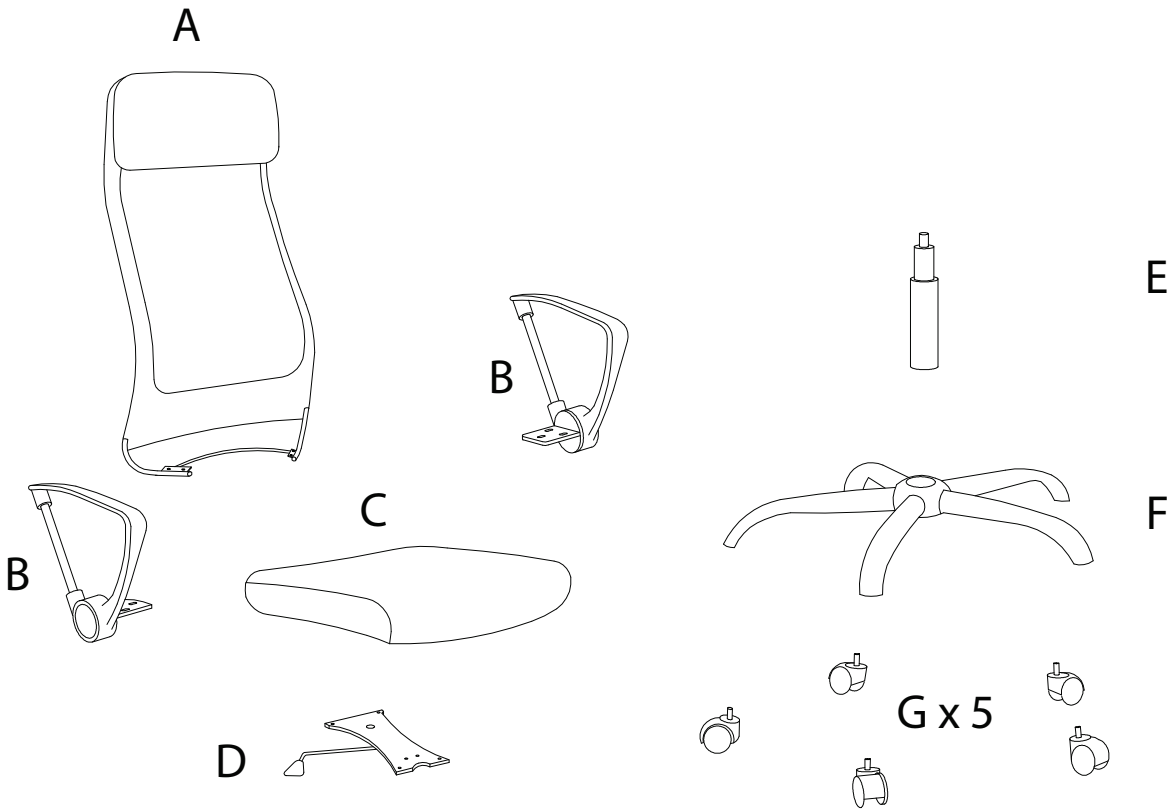

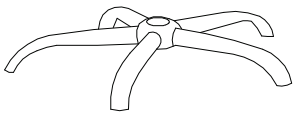
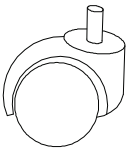
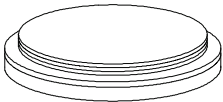
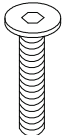
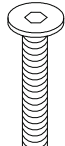
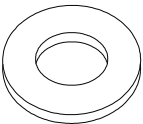
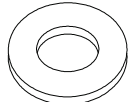
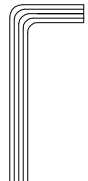

		30'
		
		1

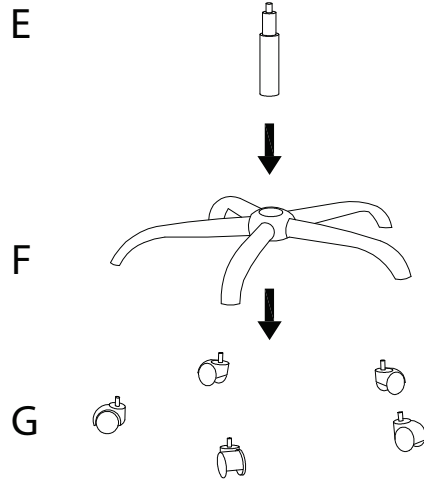
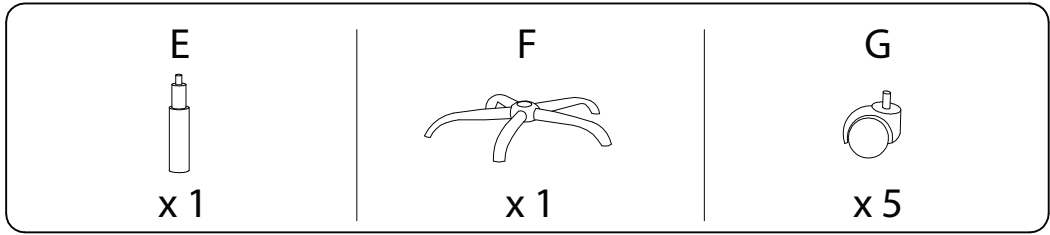
A  x 1	B  x 2	C  x 1	D  x 1
---	---	--	---



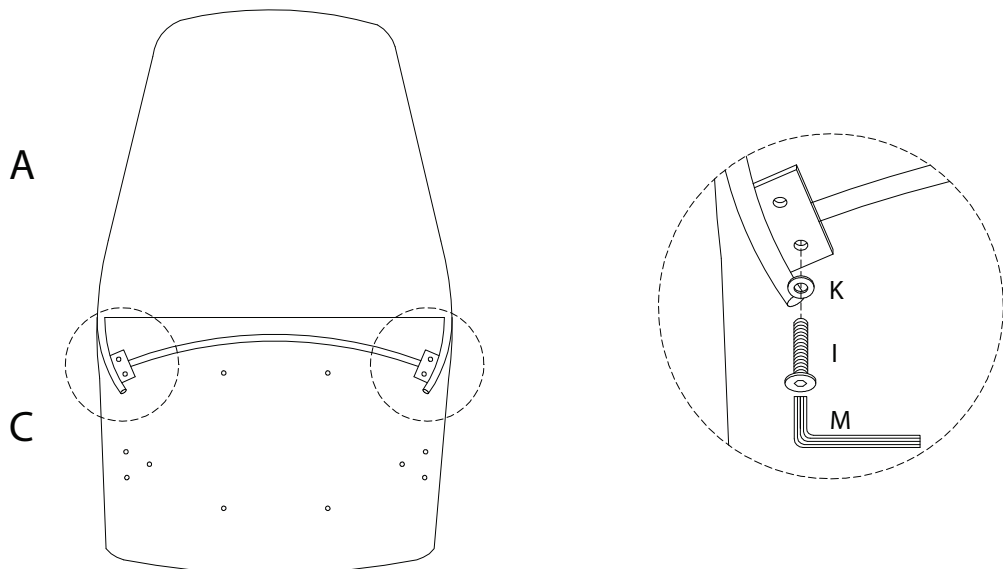
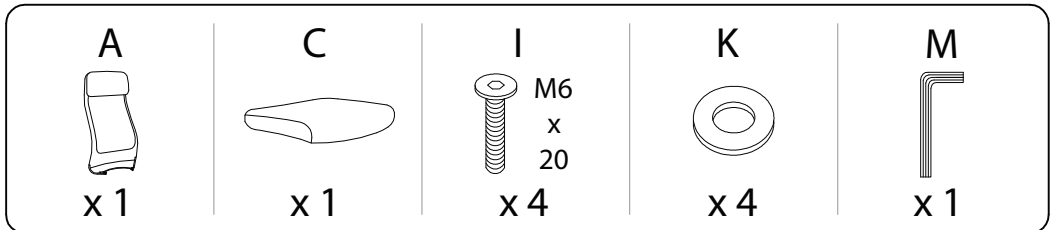
E  x 1	F  x 1	G  x 5	H  x 2
---	---	--	---

I  M6 x 20 x 8	J  M6 x 25 x 6	K  x 8	L  x 6	M  x 1
---	---	---	--	---

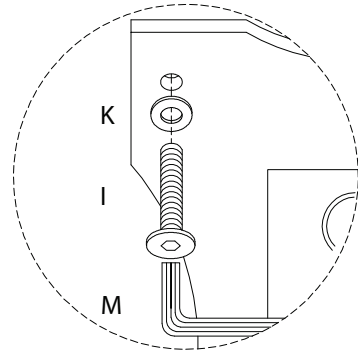
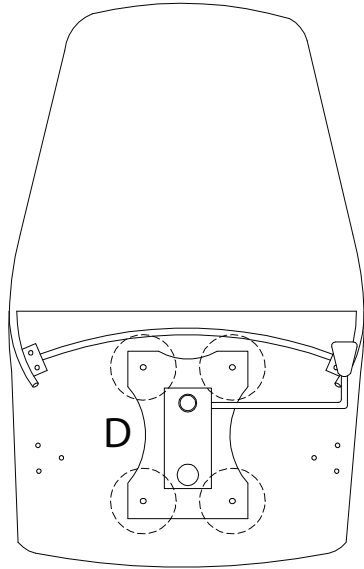
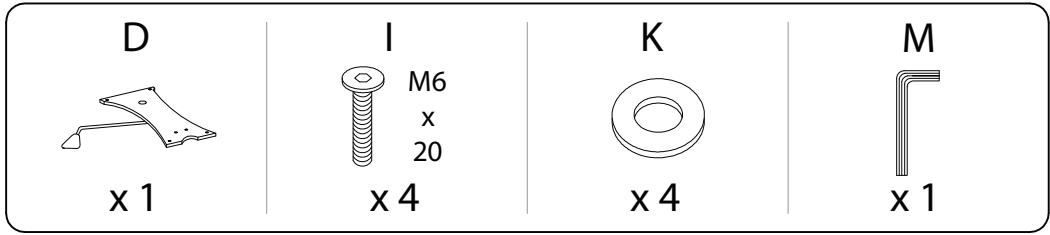
1



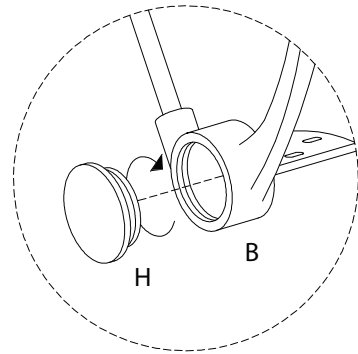
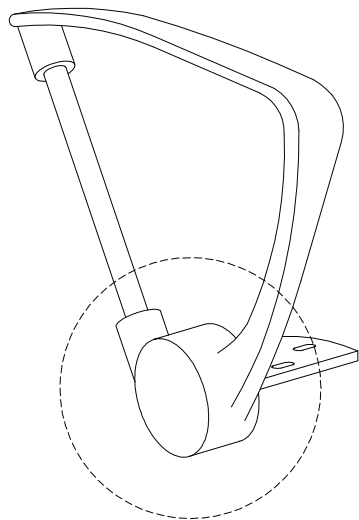
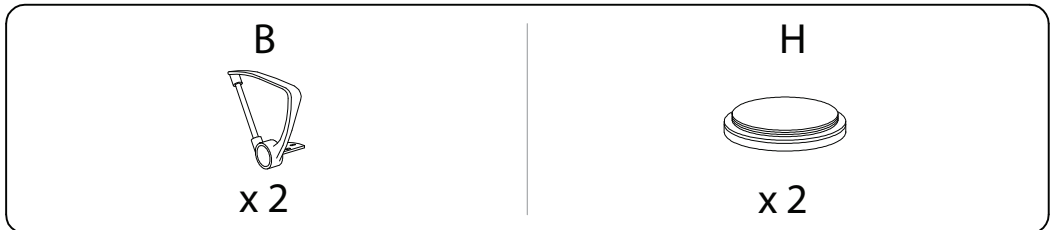
2



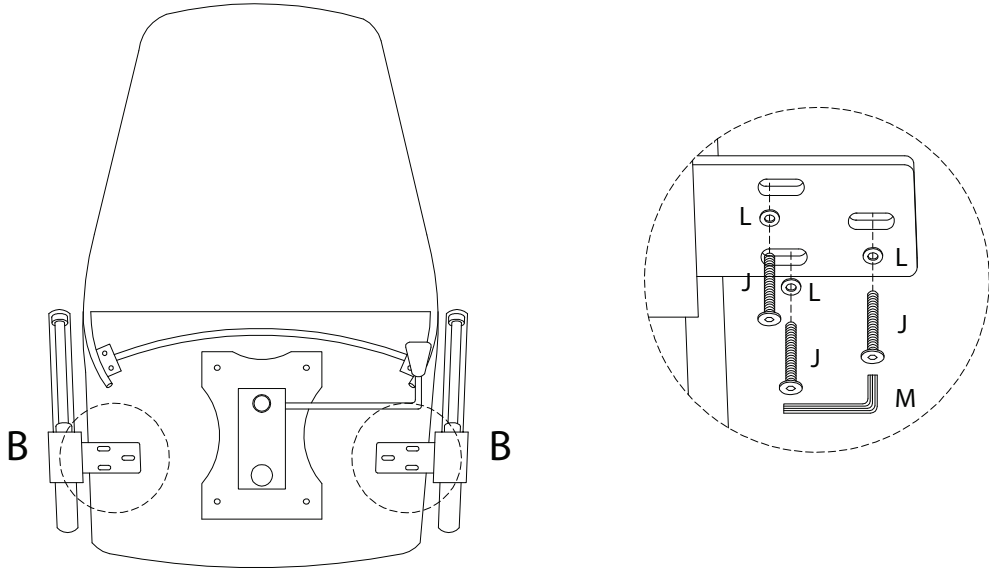
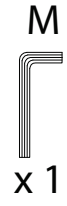
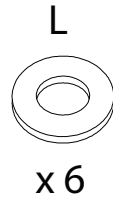
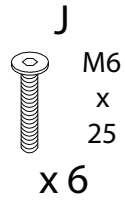
3



4



5



6

