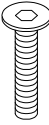
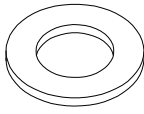


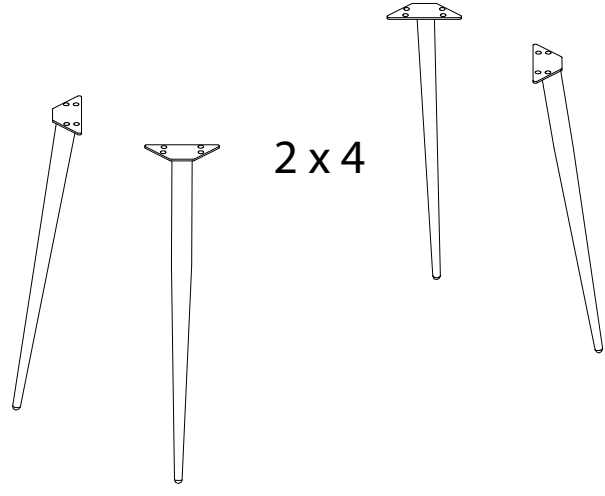
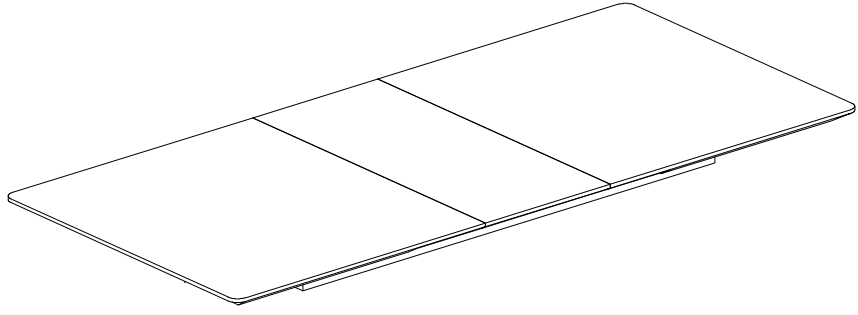
Diagram illustrating assembly steps and safety warnings:

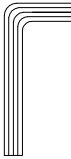
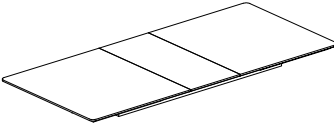

- Step 1:** Shows an L-shaped bracket being inserted into a hole in the table. A power drill is shown with a slash through it, indicating that a power drill should not be used for this step. A warning triangle with an exclamation mark is present.
- Step 2:** Shows a rectangular block being placed on a surface. A power drill is shown with a slash through it, indicating that a power drill should not be used for this step. A warning triangle with an exclamation mark is present.
- Time:** A clock icon indicates a 30-minute duration.
- Personnel:** An icon of a person indicates that 2 people are required for assembly.

1/4

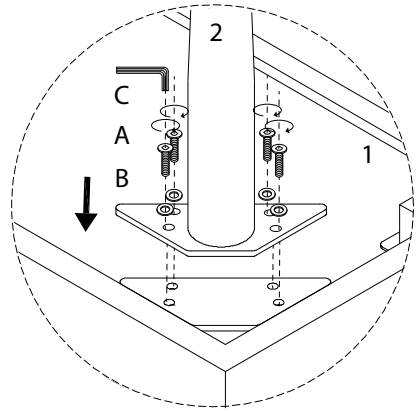
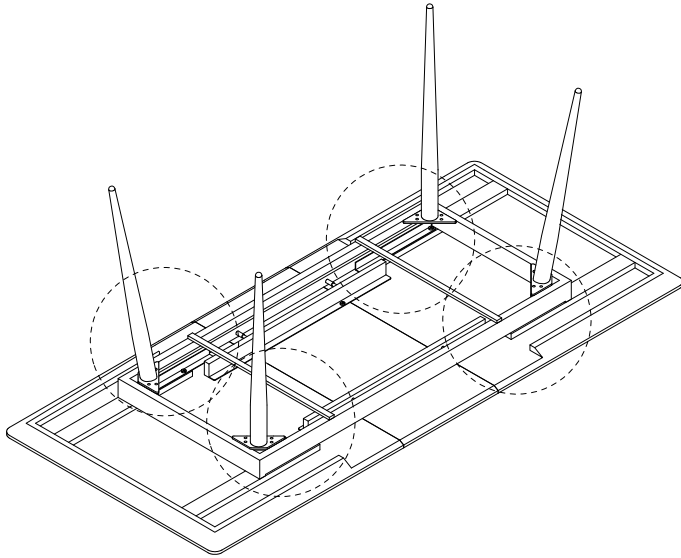
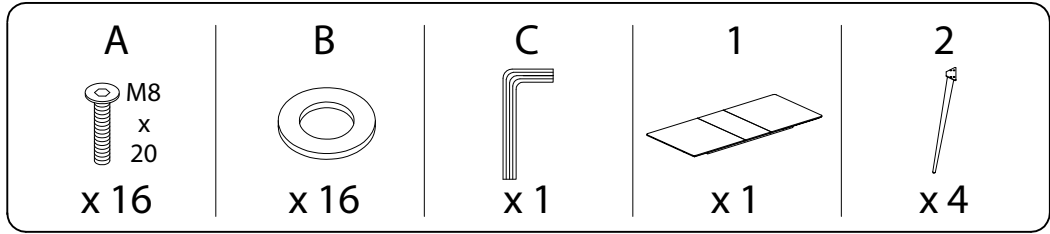
<p>A</p>  <p>M8 x 20</p> <p>x 16</p>	<p>B</p>  <p>x 16</p>
---	--

1

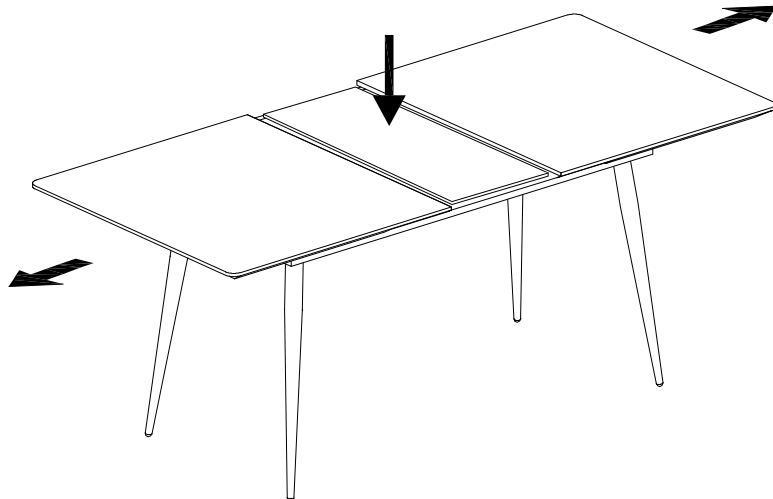


<p>C</p>  <p>x 1</p>	<p>1</p>  <p>x 1</p>	<p>2</p>  <p>x 4</p>
---	---	---

1



!



!

