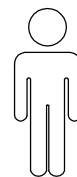
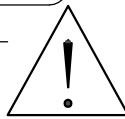
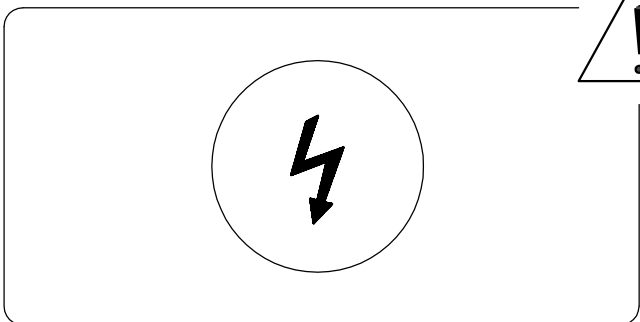
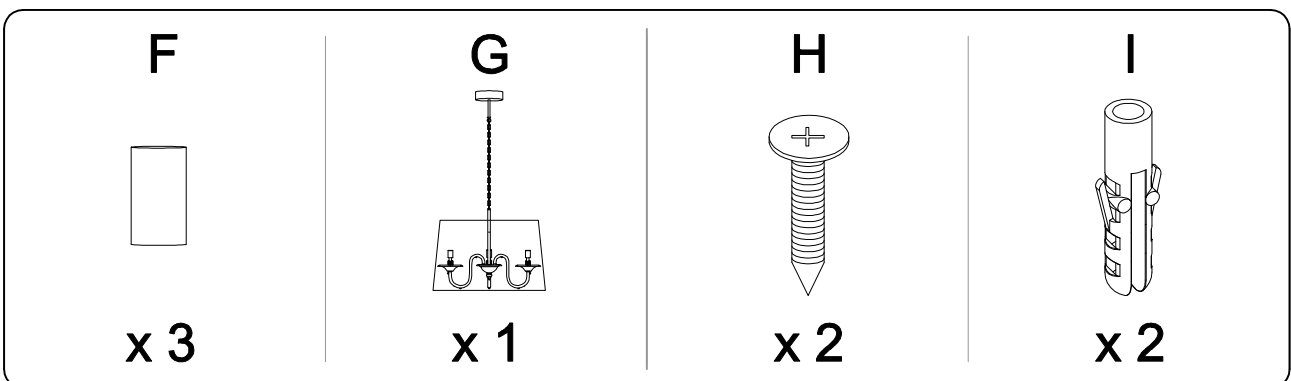
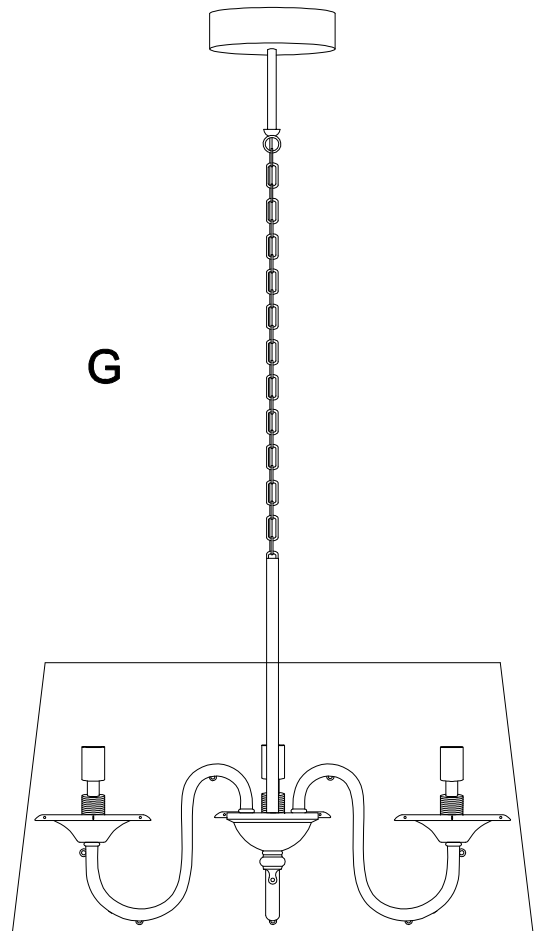
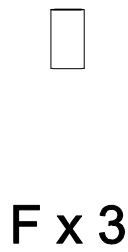
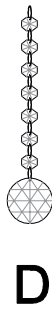
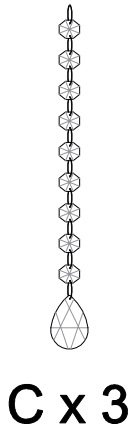
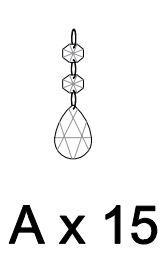
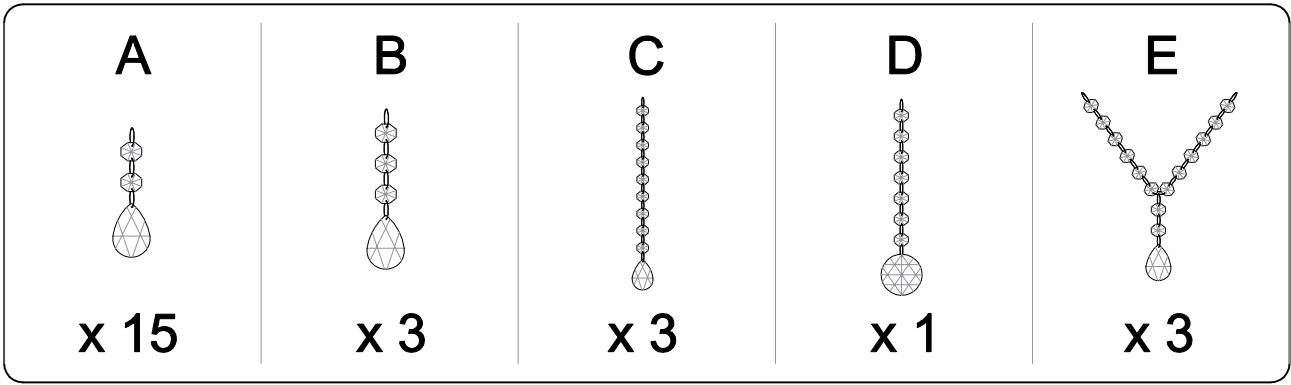


40'

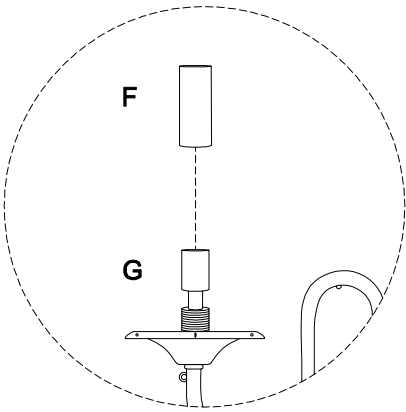
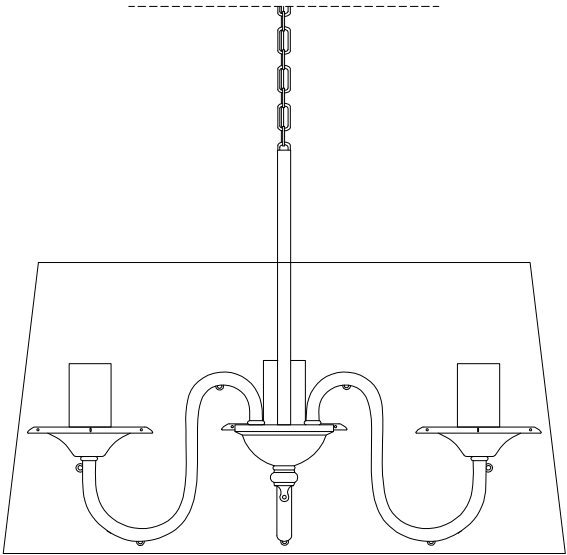
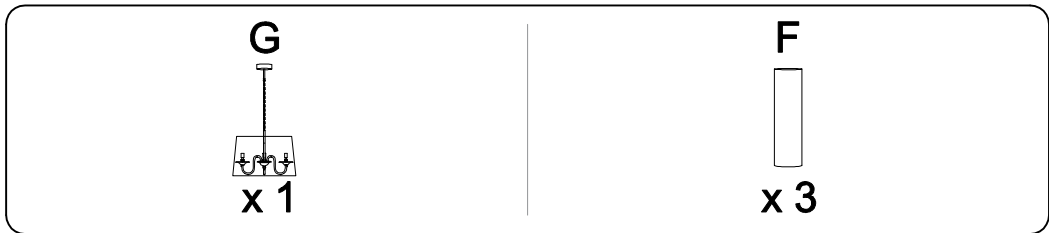


1

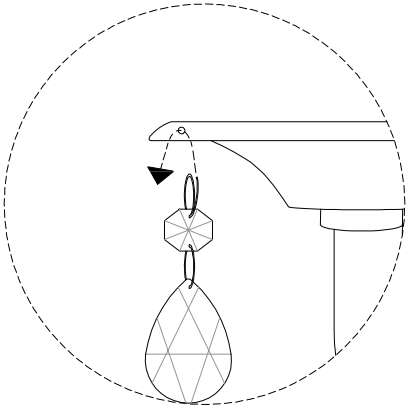
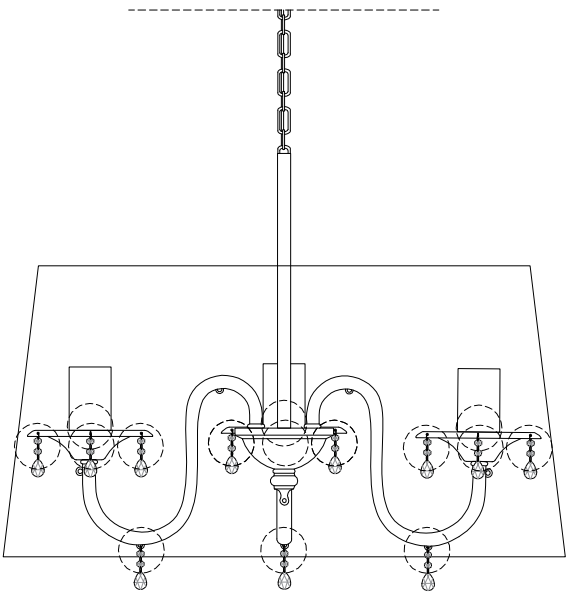
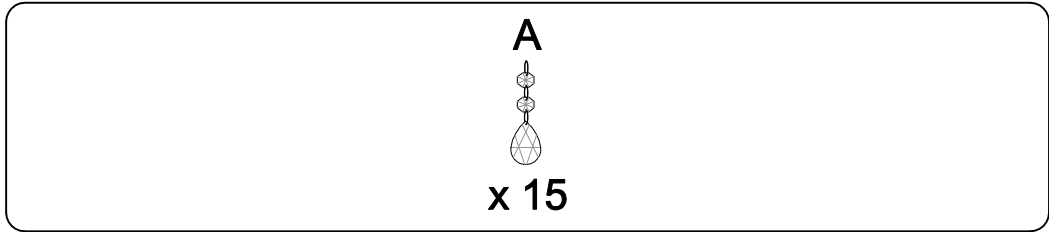
1/6



1

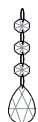


2

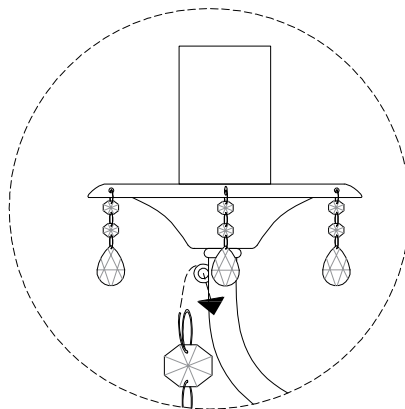
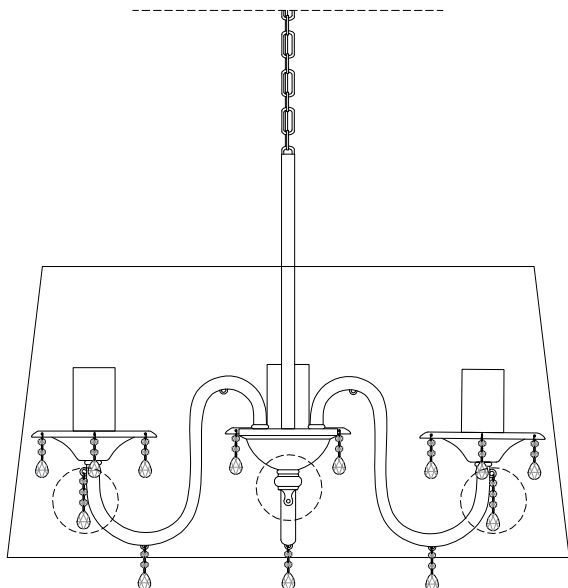


3

B



x 3

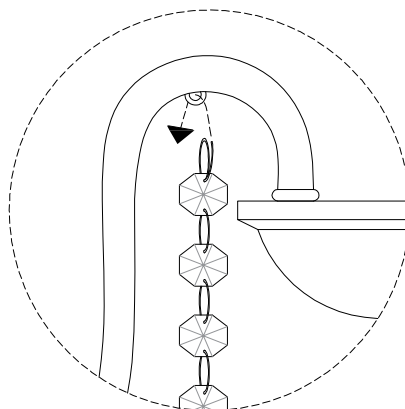
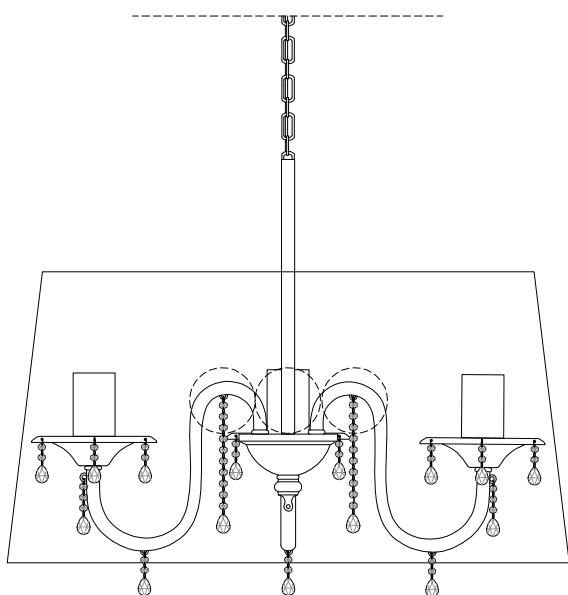


4

C

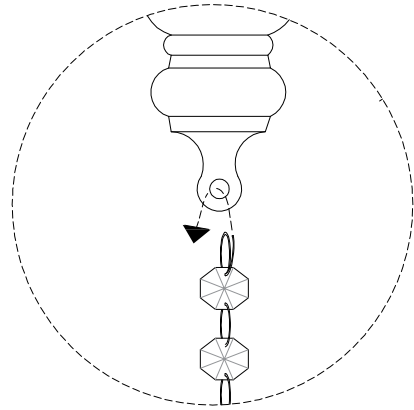
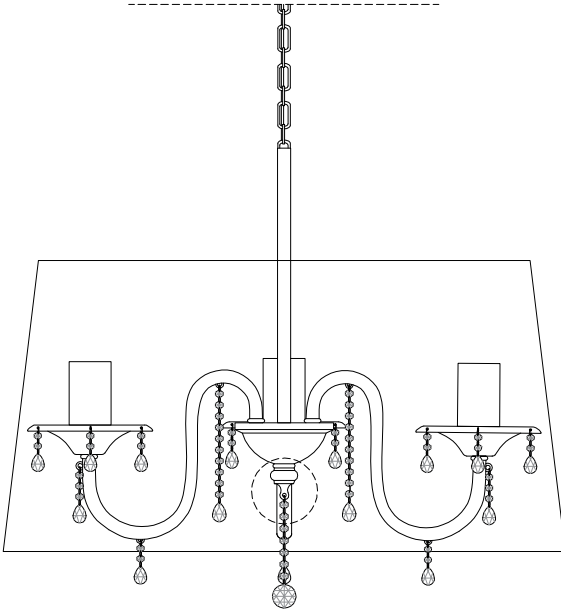


x 3



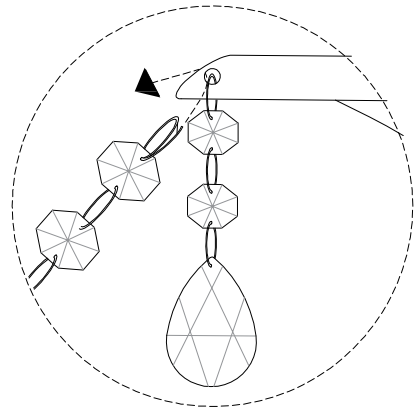
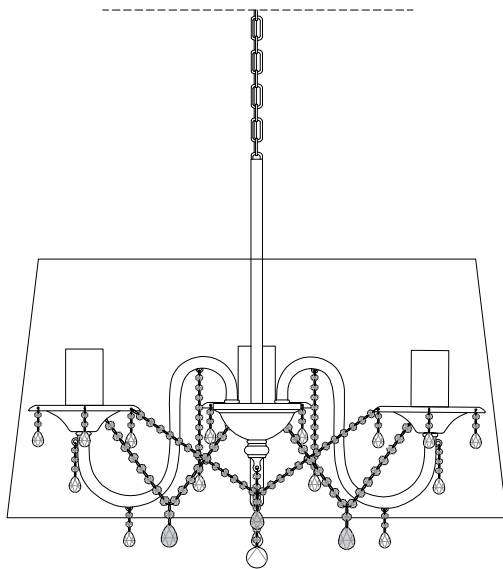
5

D

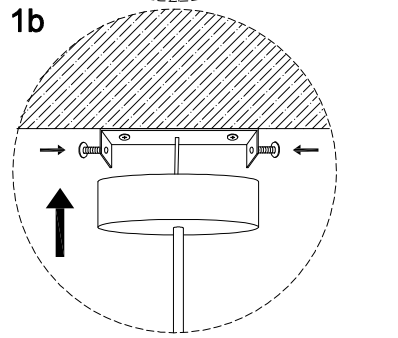
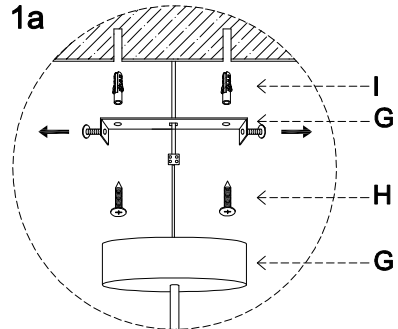
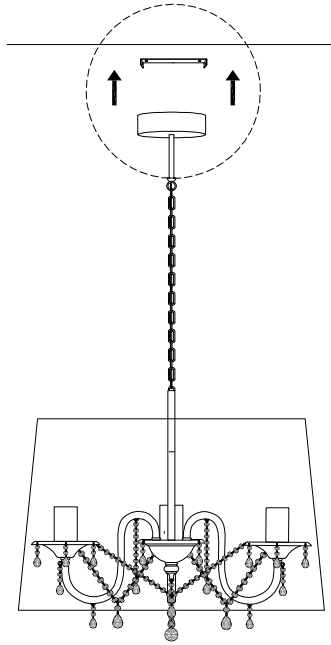
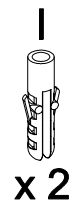
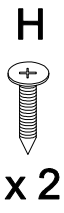


6

E



7



8

