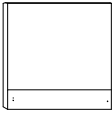
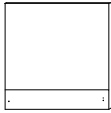
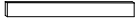
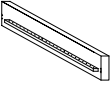




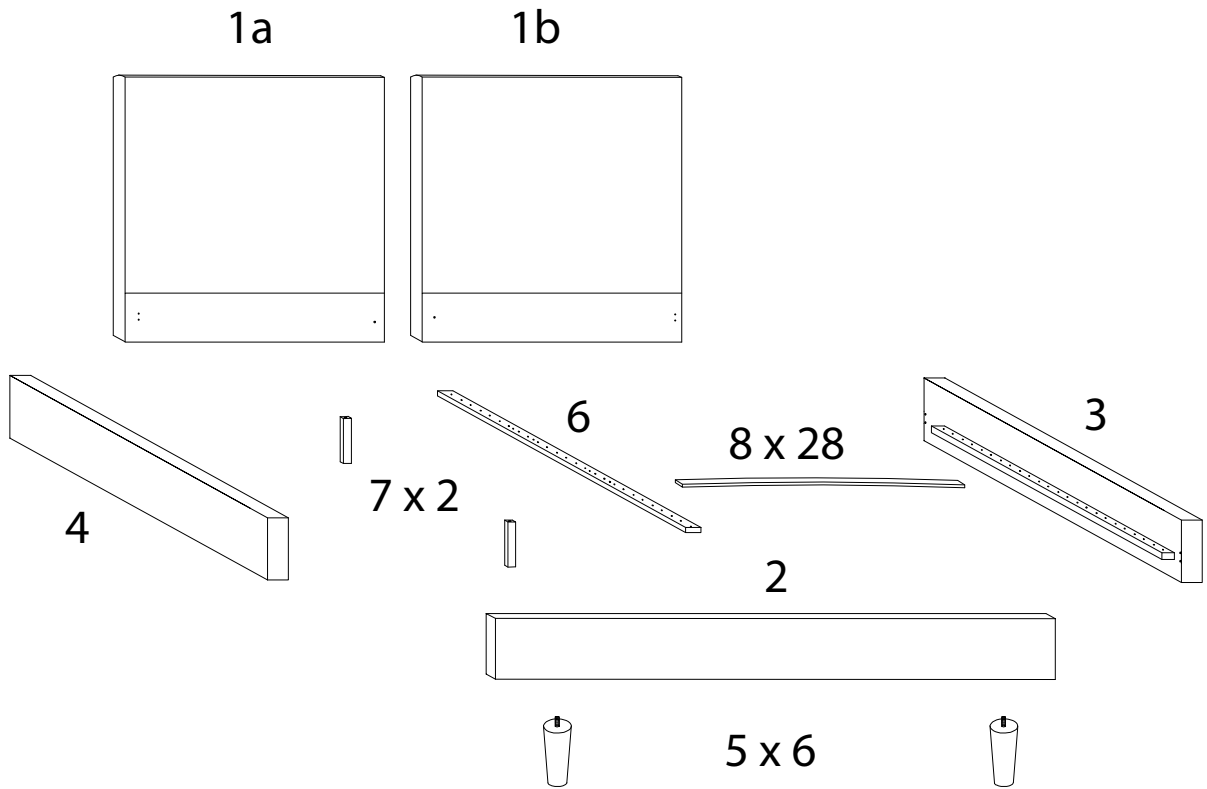

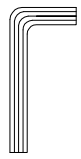
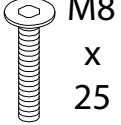
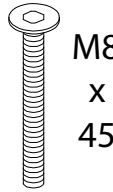

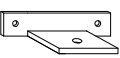
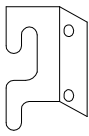
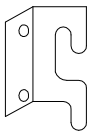


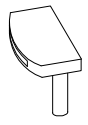
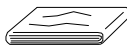
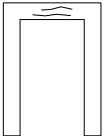
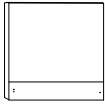
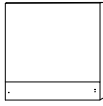
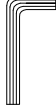

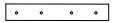
 2

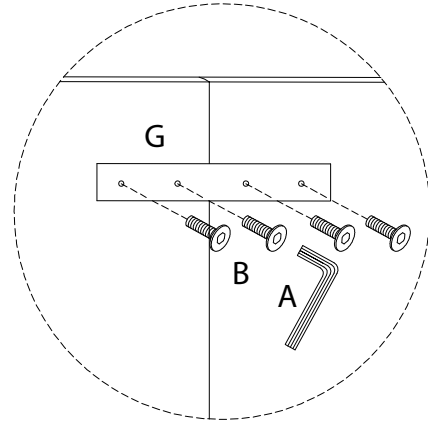
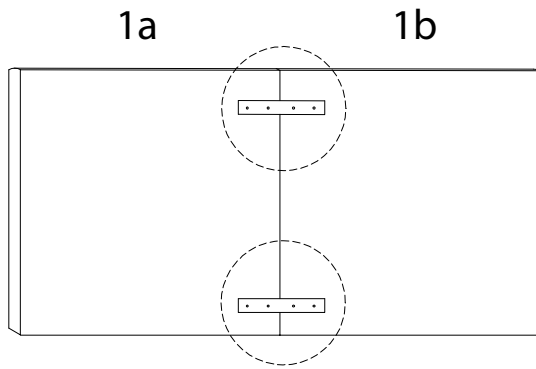
1a	1b	2	3	4	5	6	7
							
x 1	x 1	x 1	x 1	x 1	x 6	x 1	x 2




8	A	B	C	D	E	
						
x 28	x 1	x 28	x 2	x 2	x 2	
F1	F2	G	H	I	J	K
						
x 2	x 2	x 2	x 14	x 28	x 1	x 1

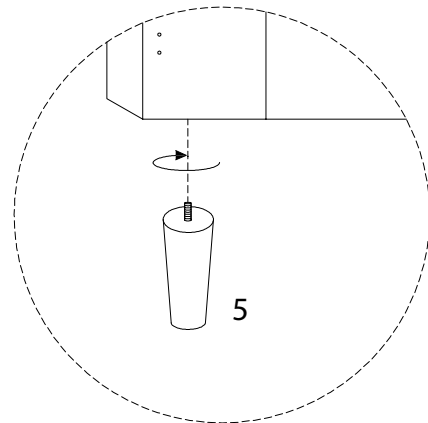
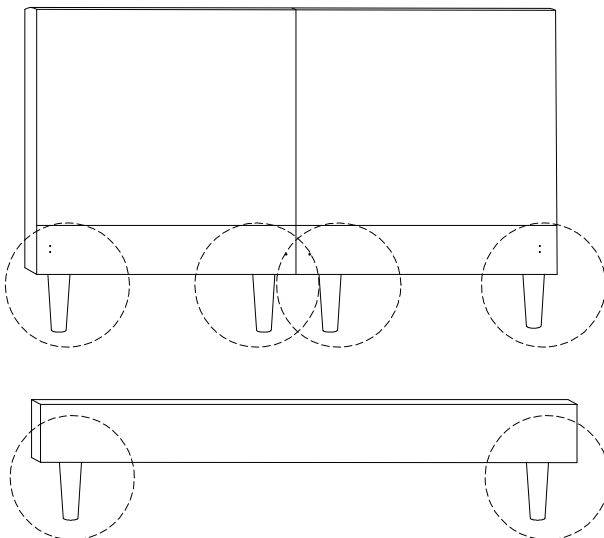
1

1a  x 1	1b  x 1	A  x 1	B  M8 x 25 x 8	G  x 2
---	---	--	---	--

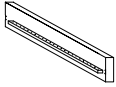


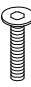
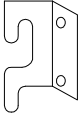
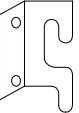


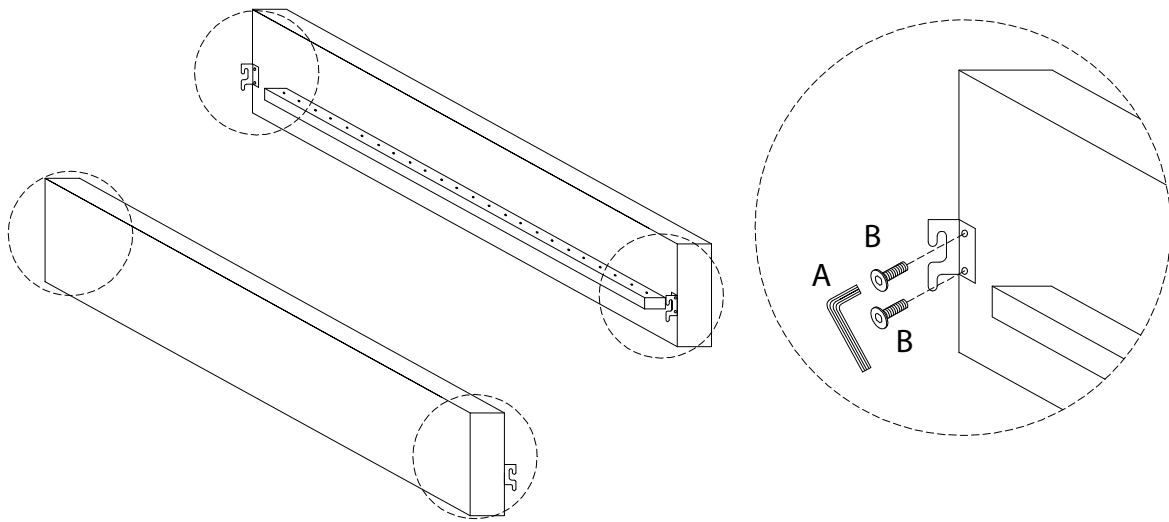
2

5  x 6
--

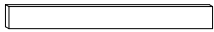
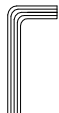
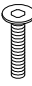


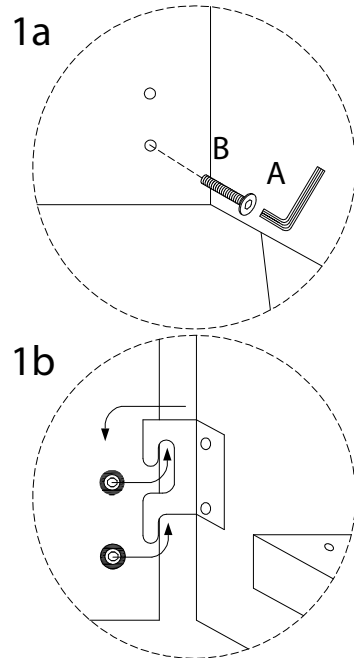
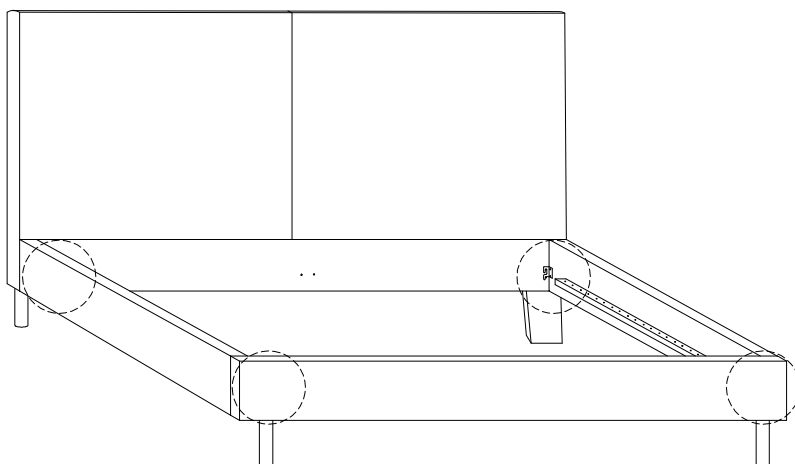
3

3  x 1	4  x 1	A  x 1	B  M8 x 25 x 8	F1  x 2	F2  x 2
--	--	--	---	---	---



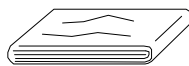
4

2  x 1	A  x 1	B  M8 x 25 x 8
--	--	---

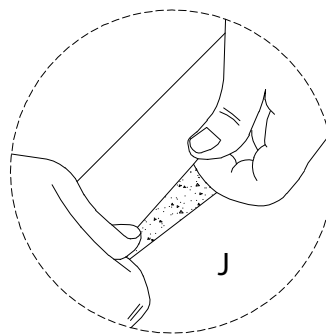
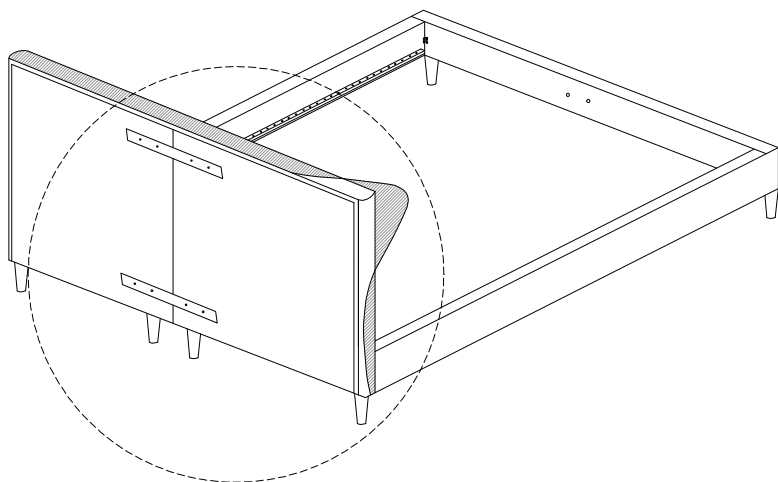


5

J

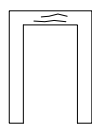


x 1

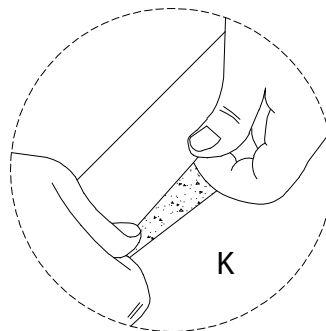
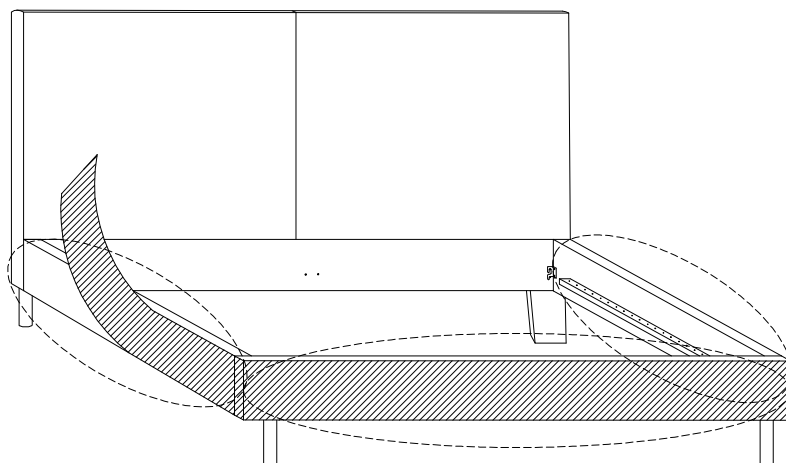


6




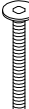
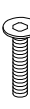
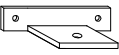
K

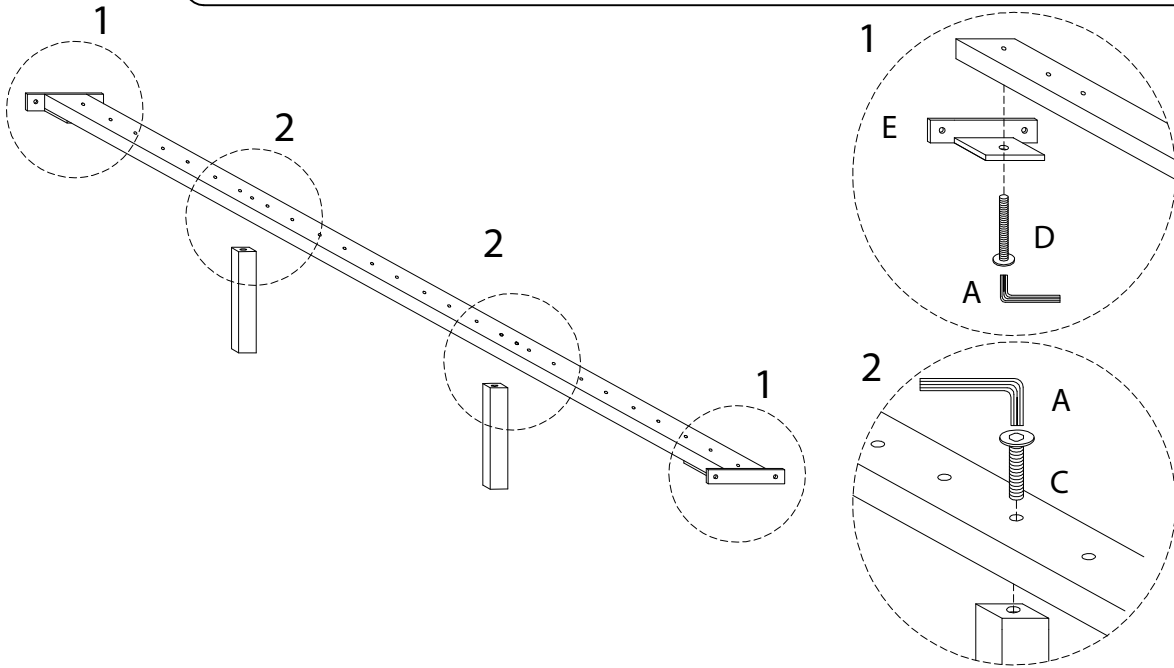


x 1





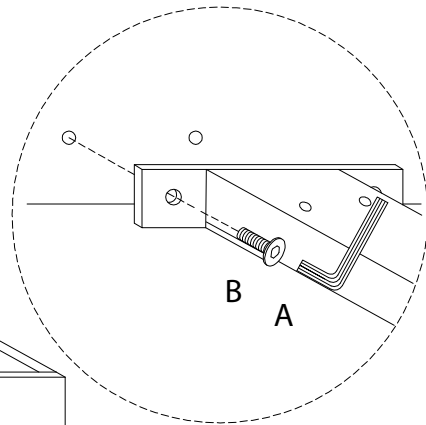
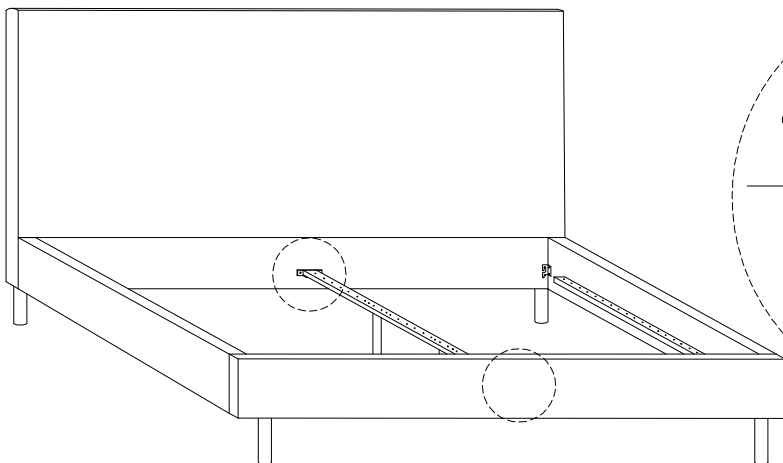
7

<p>6</p>  <p>x 1</p>	<p>7</p>  <p>x 2</p>	<p>A</p>  <p>x 1</p>	<p>C</p>  <p>M8 x 45</p> <p>x 2</p>	<p>D</p>  <p>M6 x 20</p> <p>x 2</p>	<p>E</p>  <p>x 2</p>
---	---	---	--	--	---

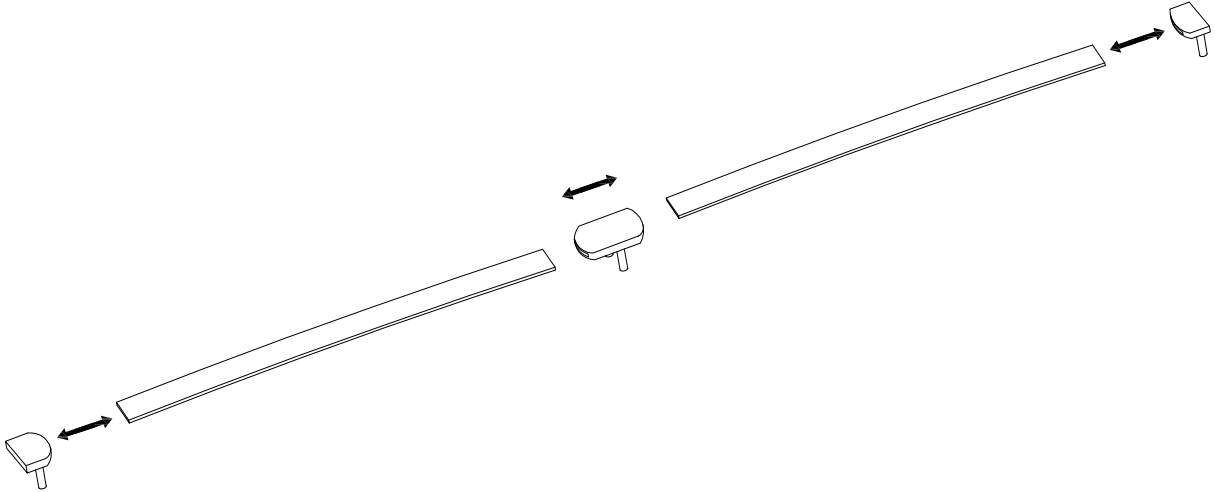
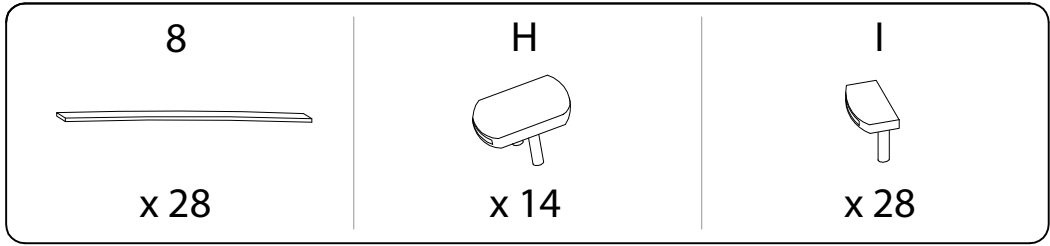


8

<p>A</p>  <p>x 1</p>	<p>B</p>  <p>M8 x 25</p> <p>x 4</p>
---	--



9



10

