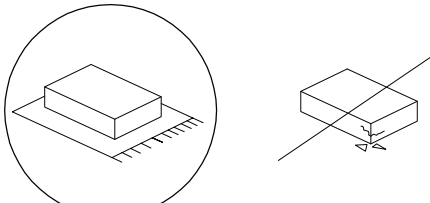
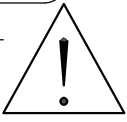
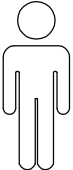
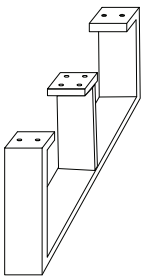
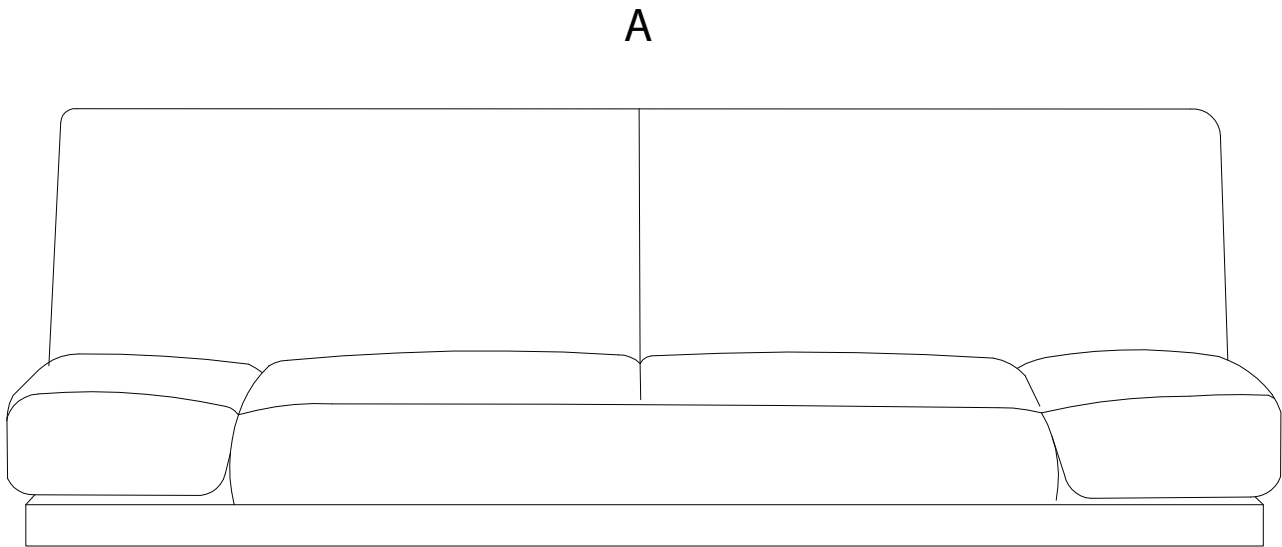
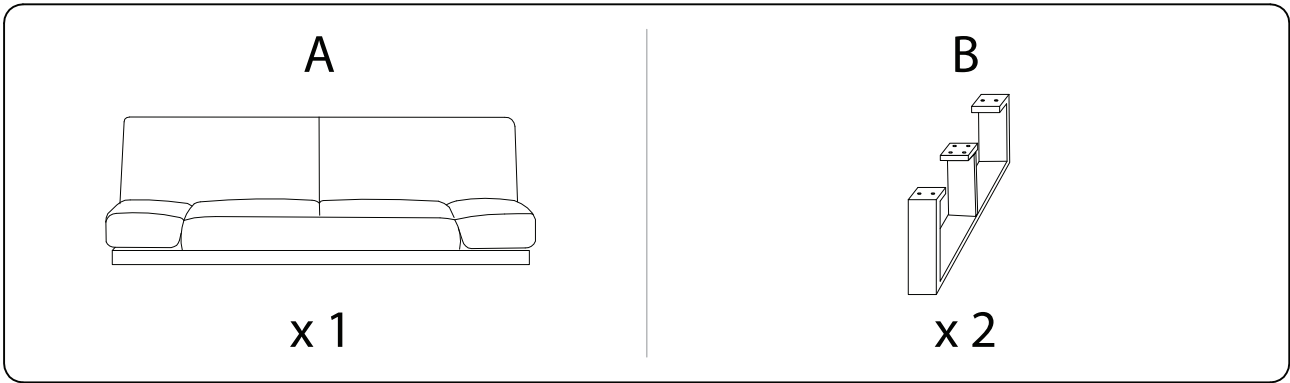
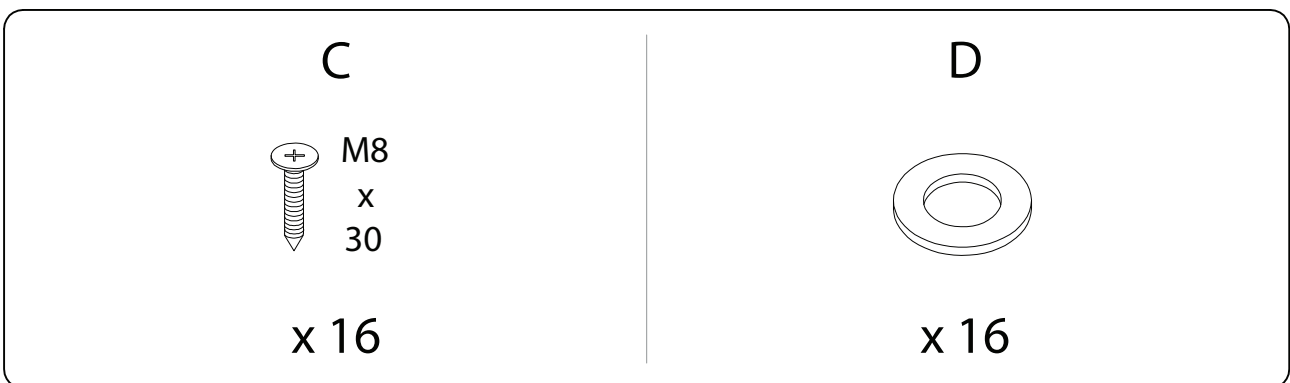
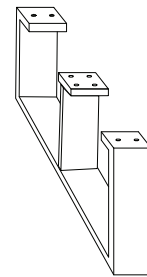
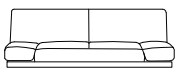
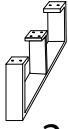
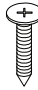
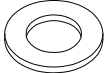

		15'
		
		1

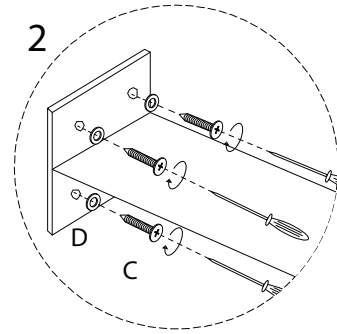
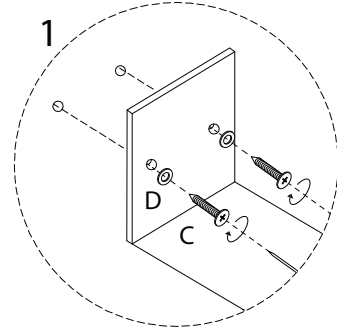
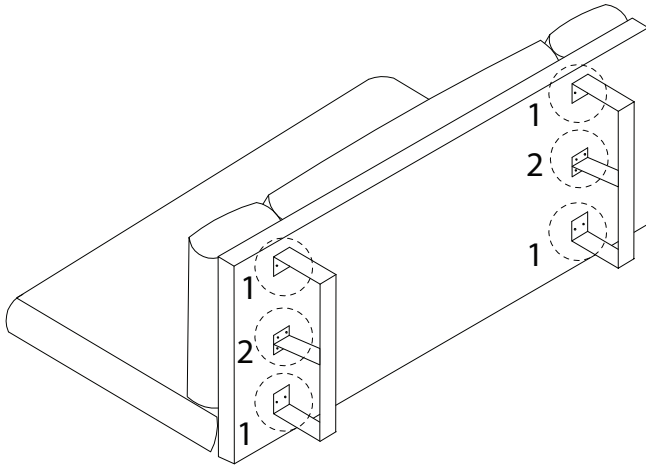


B x 2



1

A  x 1	B  x 2	C  M8 x 30 x 16	D  x 16
------------------------------------------------------------------------------------------------------	------------------------------------------------------------------------------------------------------	-------------------------------------------------------------------------------------------------------------------	---------------------------------------------------------------------------------------------------------



2

