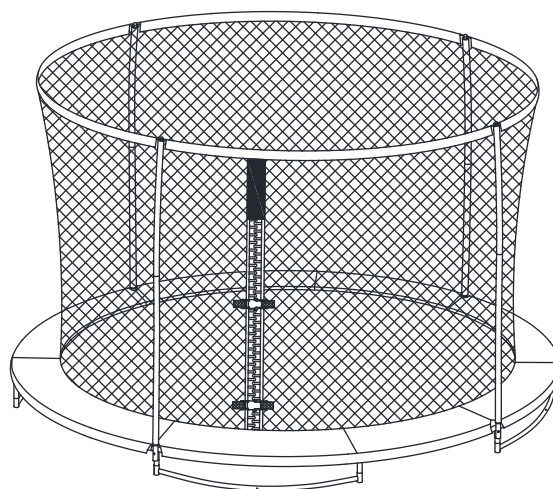
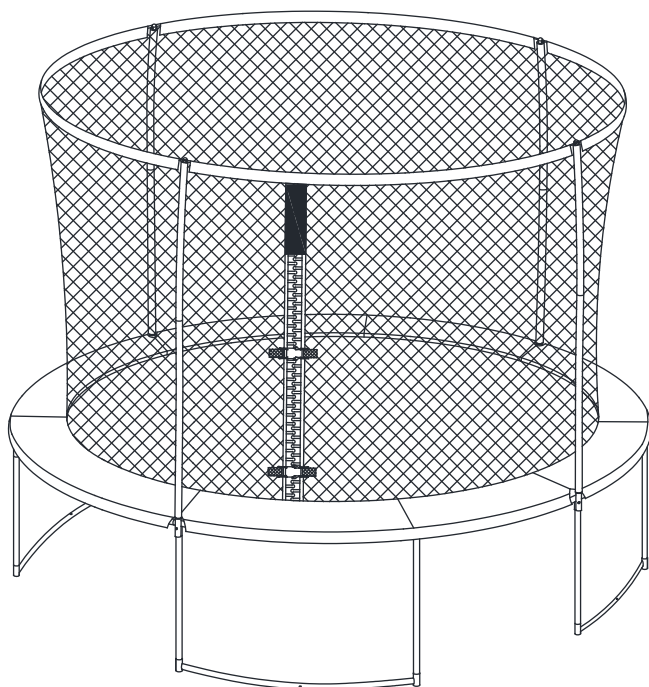


Trampoline / Trampolin / Trampoline /
Trampoline / Trampolín / Trampolino












TRAMPOLINE & ENCLOSURE COMBO



Instruction Manual
Gebrauchsanweisung
Gebruikshandleiding
Mode D'emploi
Manual De Usuario
Istruzione Per L'uso

TRAMPOLINE & ENCLOSURE COMBO



	ENGLISH	3.
	DEUTCH	11.
	NEDERLANDS	19.
	FRANÇAIS	27.
	ESPAÑOL	35.
	ITALIANO	43.
	PARTS	51.
	ON-GROUND ASSEMBLY	53.
	IN-GROUND ASSEMBLY	65.



TRAMPOLINE & ENCLOSURE COMBO



CHOKING HAZARD

Small parts. Not suitable for children under 36 months.

THE PRODUCT IS TO BE ASSEMBLED BY AN ADULT.

Potential hazard description, e.g. In unassembled state contain potentially hazardous sharp points, so please keep out of baby's reach.

Only for domestic use. Retain for future reference.

- **YOU MUST THOROUGHLY READ AND UNDERSTAND THE INSTRUCTIONS IN THIS MANUAL BEFORE ASSEMBLING AND USING THIS TRAMPOLINE.**
- **SAVE THIS MANUAL FOR FUTURE REFERENCE.**
- **MAXIMUM WEIGHT OF USER MUST NOT EXCEED 110LB (50KG).**
- **DO NOT ALLOW MORE THAN ONE PERSON ON THE TRAMPOLINE AT A TIME.**
- **DO NOT ALLOW YOUNG CHILDREN TO USE UNLESS SUPERVISED BY AN ADULT.**
- **THE ENCLOSURE FORMS PART OF THE STRUCTURAL INTEGRITY OF THE TRAMPOLINE.**
- **THE TRAMPOLINE MUST NOT BE USED WITHOUT THE ENCLOSURE ERECTED.**
- **FOR OUTDOOR DOMESTIC USE ONLY**

WARNING ! MAX 50 KG

TRAMPOLINE ASSEMBLY AND MOVING

Select a location where you want the trampoline permanently prior to assembly.



MOVING THE TRAMPOLINE

If you need to move the trampoline, two or three people are required. When moving, lift the trampoline slightly off the ground and keep it horizontal to the ground. For any type of other movement, you should disassemble the trampoline.



We strongly recommend that you do not use the trampoline without an enclosure. If you find the trampoline is being used without an enclosure, stop the user and immediately purchase and install the enclosure. Lateral clearance is essential. Place the trampoline away from walls, structures, fences and other play areas. Maintain a clear space on all sides of the trampoline.



Do not allow children to play or jump on the trampoline when it's windy or during tornado season. Wind can lift up this trampoline and cause serious injury or death.

TRAMPOLINE & ENCLOSURE COMBO



INTRODUCTION

Before you begin using this trampoline, be sure to carefully read all the information provided to you in this manual. Just like any other type of physical recreational activity, participants can be injured. To reduce the risk of injury, be sure to follow appropriate safety rules and tips.

- Misuse and abuse of this trampoline is dangerous and can cause serious injury!
- Trampolines, being rebounding devices, propel the performer to unaccustomed heights and into a variety of body movements.
- Always inspect the trampoline before each use for worn mats, loose or missing parts.
- Proper assembly, care and maintenance of product, safety tips, warnings, and proper techniques in jumping and bouncing are all included in this manual. All users and supervisors must read and familiarize themselves with these instructions. Anybody who chooses to use this trampoline must be aware of their own limitations in regards to performing various jumps and bounces with this trampoline.

TRAMPOLINE & ENCLOSURE COMBO



**NO SOMERSAULTS OR FLIPS –
PARALYSIS OR DEATH can result if you land on
your head or neck!**



**No more than ONE user at a time (maximum
weight - 50 kg).**

FOR Ongoing Trampoline:

ALWAYS CONSULT A PHYSICIAN BEFORE PERFORMING ANY KIND OF PHYSICAL ACTIVITY

- Warning. Not suitable for children under 36 months. Falling hazard.
- Warning. The trampoline must be assembled by an adult in accordance with the assembly instructions and checked before the first use.
- Warning. Maximum weight of the **user shall NOT exceed 50kg for this product.**
- Warning. Only one user. Collision hazard.
- Adult supervision required.
- Warning. Only for domestic use.
- Warning, Only for outdoor use.
- Warning. No somersaults
- Warning. Always close the net opening before jumping.
- Warning. Jump without shoes.
- Warning. Do not use the mat when it is wet.
- Warning. Empty pockets and hands before jumping.
- Warning, Always jump in the middle of the mat.
- Warning. Do not eat while jumping.
- Warning. Do not exit by a jump.
- Warning. Limit the time of continuous usage (make regular stops).
- Warning. Do not use in strong wind conditions and secure the trampoline.
- Warning. The trampoline is not intended to be buried into the ground.
- Warning. The net should be replaced every year.
- Size of the free spaces around the trampoline: 2x2x8 meter
- Always check your trampoline before use. Paying specific attention to all the bolts, jump mat and pads position.
- Don't use if any parts are missing or look like they show wear and tear.
- Stop exercising immediately should you feel unwell or if you feel dizzy.
- The safety enclosure is there to prevent the user falling off the trampoline, and is not to be jumped into unnecessarily.

FOR Inground Trampoline:

WARNING!

- Installation of the trampoline requires a hole to be dug in the ground.
- If you are not sure about the ground work, please contact a professional.
- The hole should not accumulate water (so drainage is necessary) and it should be possible to clean during maintenance.
- The trampoline is intended to be buried into the ground.

BY PRAGMA

TRAMPOLINE & ENCLOSURE COMBO



JUMP INSTRUCTIONS

- Refer to and comply with the exercise instructions and always absolutely retain a proper biomechanical position when using the appliance.
- Please be aware of the health risks that incorrect or intensive training may cause.
- Basic principles and recommendations for use
Learn the basic body positions and jumps before attempting more advanced techniques. You can vary trampoline routine by performing the basic jumps in different series or combinations, and with or without vertical jumps between tricks.
- To stop bouncing, bend your knees as your feet land on the trampoline's jumping surface.
- Learn this technique first before attempting any others.
- Avoid bouncing too high.
- Stick to small bounces until you can jump and land in the middle of the trampoline under perfect control.
- Control is more important than height.
- Never look away from the trampoline. This will help you control your bouncing.
- Avoid bouncing on the trampoline when tired.
- Keep your sessions short
- Only use the trampoline if you are in excellent physical condition.
- For information on learning additional techniques and tricks, contact a professional trampoline instructor.
- Place the trampoline on a level surface at least 2 m from any structure or obstruction such as a fence, garage, house, overhanging branches, laundry lines or electrical wires.
- Trampolines shall neither be installed over concrete, asphalt or any other hard surface nor at proximity of other conflicting installations (e.g. paddling pools, swings, slides, climbing frames).

ASSEMBLY INSTRUCTIONS & INSTRUCTIONS FOR USE

- To ensure that the product is safe, heed the assembly and adjustment instructions, and the instructions for use. Please read carefully and retain for future reference.
- Assembly instructions
This product requires assembly, please be sure to carefully follow the steps set out in these instructions (parts lists and tools supplied, assembly procedure etc.).

IMPORTANT INSTRUCTIONS FOR ENCLOSURE NETTING AND MAT

1. Maintenance of Trampoline Enclosure Net, Mat and Pad

Enclosure nets and padding are prone to wear and tear like tires on a car. Gradual deterioration of the material will occur; the speed of which will depend on the level of exposure to UV rays, airborne pollution and outdoor weather conditions such as rain and wind.

The net and padding needs to be properly maintained and checked by following the Maintenance Schedule set out in these instructions. When the material shows any signs of weakness, you must stop using the trampoline immediately, properly store the trampoline and restrict access by users until a new replacement net or padding is properly installed.

2. Maintenance Requirement for Enclosure Net

Your trampoline enclosure netting is manufactured with UV resistant material. Despite this the netting is exposed to the outdoor elements including sunlight, wind, rain and wildlife. The net surrounding the trampoline must be checked prior to each use. This includes, but is not limited to inspecting the net for cracks, excess wear, brittleness, and stretching. Also inspect all connections and the entire enclosure for overall integrity. The net must be immediately replaced if it shows any signs of wear, damage, stretching, cracking, looseness, brittleness or other losses in integrity. The following Maintenance Schedule must be followed:

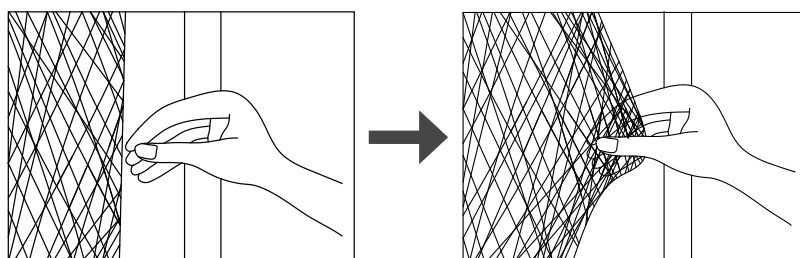
1 to 3 Months	3 to 6 Months	6 to 12 Months
Inspect the enclosure (net, net hanger, and straps) prior to every use.	Thorough inspection for UV damage and prior to every use for net, net hanger and straps.	Thorough inspection before every use on net, net hanger, straps, zippers, ties and strings. Replace after 12 months or earlier if necessary.

IT IS RECOMMENDED THAT THE NET BE REPLACED ON A YEARLY BASIS UNDER NORMAL USE, EVEN IF IT DOES NOT SHOW ANY VISIBLE SIGNS OF DAMAGE.

How to Inspect the Trampoline Net for Proper Use

Always check the enclosure netting for signs of UV damage, deterioration, brittleness, cracking, and tearing every time before using the trampoline and enclosure.

Step 1 - Inspect the enclosure netting before **EACH** use for wear or tear by pinching and pulling a section of the netting between fingers and pulling downward. Please see diagram below.



If it produces any tear or cracking or ripping sound, then the net is unsafe and **MUST** be taken down immediately. **STOP USING THE TRAMPOLINE ENCLOSURE IF YOU FIND ANY SIGNS OF WEAR OR TEARING ON THE NETTING.**

Step 2 - Walk around the whole perimeter of the trampoline to visually check for material deterioration or other damage.

3. Maintenance Requirement for Trampoline Pad

Walk around the whole perimeter of the trampoline to visually check for material deterioration, tears, looseness, loss of elasticity or other damage in the pad.

TRAMPOLINE & ENCLOSURE COMBO



MAINTENANCE

It is necessary to carry out checks and maintenance of the main parts (frame, suspension system, bed, padding, and enclosure) at regular intervals, pointing out that if these checks are not carried out, the trampoline could become dangerous.

- Check all nuts and bolts for tightness and tighten when required.
- Check that the springs are intact and cannot come unhooked when jumping.
- Check that the circular protective pad covers the spring.
- Check the cord used to secure the net. Danger of suffocation.
- Check all coverings for bolts and sharp edges and replace when required
- Check that the net, trampoline mat and all protective elements are in good condition a capable of supporting the user`s weight. Sun, rain, snow and extreme temperatures may reduce lifespan of trampoline component parts. Replace them, if necessary.
- In strong wind conditions, outdoor trampolines shall be equipped with a device to avoid displacement due to wind (e.g. steel bars in the ground or loads like sand bag or water bags).
- In strong wind conditions, items catching wind like net and mat should be removed.
- In certain countries during winter period, the snow load and the very low temperature can damage the trampoline. It is recommended to remove the snow and store the mat and the enclosure indoor.
- Check that mat, padding and enclosure are without defects. Sunlight, rain, snow and extreme temperatures reduce the strength of these parts over time.
- Make sure that the hook-and-loop fasteners are closed correctly during use of trampoline.
- Replace the net, trampoline at and protective elements every 1 year.
- Any defective parts must be replaced in accordance with the manufacturer`s instructions.
- Keep the maintenance instructions
- For details on how to contact the after-sales service team, please consult last page user`s guide.

MOVING AND TRANSPORTATION

A minimum of 2 people is required to move the trampoline. Position yourselves around the trampoline, gently lift structure and move to desired location.

The trampoline must be fully dismantled if transported by car. Over a longer distance. Check the assembly instructions and follow each step, starting at the end. Removing springs is a delicate operation which must only be carried out using the tool provided,

WARRANTY

After the date of the purchase invoice, the owner of the AXI trampoline has a:

- 2-year warranty on the breaking of the frame
- 1-year warranty on the springs
- 1-year warranty on the protective surround pad and the jump mat.
- 1 year warranty on the tearing of the net

AXI reserves the right not to provide a guarantee if:

- no original sales receipt can be presented;
- the AXI Trampoline is used for purposes other than those for which it was designed;
- a method of assembly is used other than the method indicated;
- technical repairs have been carried out unprofessionally;
- the AXI Trampoline is used in public places like schools and day-care nurseries;
- the AXI Trampoline is rented to third parties;
- the regular monitoring and where appropriate replacement of parts, screws and joints has been omitted.

TRAMPOLINE & ENCLOSURE COMBO



LEARNING THE FUNDAMENTAL TRAMPOLINE SKILLS

The following lessons are suggested for you to learn basic steps and bounces. Before using the trampoline, you should read and understand all warnings. A complete discussion and demonstration of body mechanics and trampoline guidelines should occur between the supervisor and student as well. The bounces are diagrammed on the following page.

Lesson 1

- A. Mounting and Dismounting – Demonstration of proper techniques
- B. The Basic Bounce – Demonstration and practice
- C. Braking (Check the Bounce – Demonstration) and practice. Learn to brake on command
- D. Hands and Knees Bounce – Demonstration and practice. Stress should be on four-point landing and alignment

Lesson 2

- A. Review and practice of techniques learned in Lesson 1
- B. Knee Bounce – Demonstration and practice. Learn the basic down to knee and back up before trying half twist to left and right
- C. Seat Bounce – Demonstration and practice. Learn basic seat bounce then add a knee bounce, hands and knees repeat

Lesson 3

- A. Review and practice skills and techniques learned in previous lessons
- B. Front Drop – To avoid mat burns and teach the front bounce position, all students should be requested to assume the prone position (face down on the ground) while the instructor checks for faulty positions that could cause injury
- C. Start with a Hands and Knees bounce and then extend body into prone position and on the mat and return to feet
- D. Practice Routine – Hands and Knees Bounce, Front Bounce, return to feet, Seat Bounce, return to feet, Seat Bounce, return to feet

Lesson 4

- A. Review and practice skills and techniques learned in previous lessons
- B. Half – Turn
 1. Start from front drop position and as you make contact with mat, push off with arms in either the right or left direction and turn head and shoulders in same direction
 2. During turn, be sure to keep back parallel to mat and head up
 3. After completing turn, land in the Front Drop position

After completing this lesson, the student now has a basic foundation of trampoline bounces. Jumpers should be encouraged to try and develop their own routines with the emphasis on control and form.

A game that can be played in order to encourage students to try developing routines is "BOUNCE". In this game, players count off from 1 to X. Player one starts with a maneuver. Player two has to do Player one's maneuver and add on another. Each player must do the routine properly in the correct sequence. The first person to miss receives the letter "B". This continues until someone spells out the word "BOUNCE". The last remaining contestant is deemed the winner! Even when playing this game, it is important to perform your routines under control and not try difficult or highly skilled bounces that you have not yet mastered.

A certified trampoline instructor should be contacted to further develop your trampoline skills.

TRAMPOLINE & ENCLOSURE COMBO



BASIC TRAMPOLINE BOUNCES

THE BASIC BOUNCE



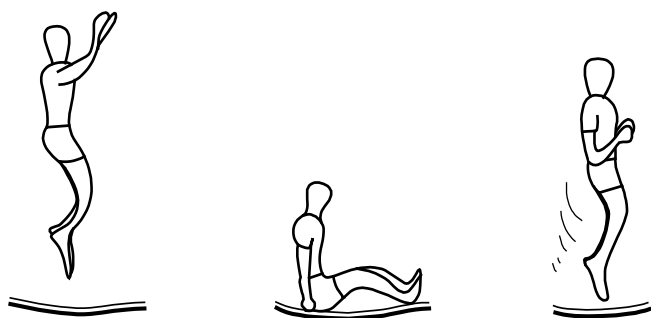
1. Start from the standing position, with your feet having shoulder width apart and with head up and eyes on mat
2. Swing arms forward and up in a circular motion
3. Bring feet together while in mid-air and point toes downwards.
4. Keep the feet shoulder width apart when landing on mat

THE KNEE BOUNCE



1. Start with the basic bounce and keep it low
2. Land on knees while keeping your back straight and body erect while using your arms to maintain balance
3. Bounce back to basic bounce position by swinging arms up

THE SEAT BOUNCE



1. Land in a flat sitting position
2. Place hands on mat besides hips, but do not lock your elbow
3. Return to erect position by pushing with hands

THE 180 DEGREE BOUNCE



1. Start with the Front Bounce position
2. Push off with left or right hands and arms (depending on which way you wish to turn)
3. Maintain head and shoulders in the same direction while keeping your back parallel to the mat and your head up
4. Land in the Prone position and return to standing position



VERSCHLUCKUNGSGEFAHR

Kleine Teile. Für Kinder unter 3 Jahren nicht geeignet.

DAS PRODUKT IST VON EINEM ERWACHSENEN ZUSAMMENGEBAUT WERDEN.

Beschreibung potenzieller Gefahr, z.B. in nicht zusammengesetztem Zustand enthält es potenziell gefährliche scharfe Spitzen, daher von Babys fernhalten!

Nur für den häuslichen Gebrauch. Diese Informationen aufheben.

- **VOR DEM AUFBAU UND GEBRAUCH DES TRAMPOLINS, LESEN SIE DIE ANWEISUNGEN IN DIESER ANLEITUNG SORGFÄLTIG DURCH. BEI UNKLARHEITEN KONTAKTIEREN SIE BITTE DEN HERSTELLER.**
- **BEWAHREN SIE DIE ANLEITUNG ALS NACHSCHLAGWERK.**
- **DAS MAXIMALE BELASTUNGSGEWICHT DARF 50KG NICHT ÜBERSCHREITEN.**
- **ACHTEN SIE DARAUF, DASS DAS TRAMPOLIN JEWEILS VON NUR EINER PERSON GENUTZT WIRD.**
- **KLEINE KINDER DÜRFEN DAS TRAMPOLIN NUR UNTER AUFSICHT EINES ERWACHSENEN NUTZEN.**
- **DAS MITGELIEFERTE SICHERHEITSNETZ IST TEIL DER STRUKTURELLEN STABILITÄT DES TRAMPOLINS. DAS TRAMPOLIN DARF DARUM NICHT OHNE DAS SICHERHEITSNETZ GENUTZT WERDEN.**
- **NUR FÜR DIE NUTZUNG IM PRIVATEN AUßENBEREICH (Garten).**

WARNUNG! MAX 50 KG

TRAMPOLIN AUFBAU UND UMSTELLEN

Bevor Sie mit dem Aufbau beginnen, wählen Sie bitte eine Stelle aus an der das Trampolin permanentstehen soll.



DAS TRAMPOLIN VERSCHIEBEN

Wenn Sie das Trampolin zwischenzeitlich doch umstellen möchten, sind dafür 2 oder 3 Person erforderlich. Heben Sie das Trampolin leicht vom Boden ab und halten Sie es horizontal zum Boden. Für jede andere Art von Bewegung sollt das Trampolin demontiert werden.



Wir empfehlen Ihnen dringend, dass Trampolin nicht ohne Sicherheitsnetz zu verwenden. Falls Sie sehen, dass das Trampolin ohne Sicherheitsnetz genutzt wird, stoppen Sie die Person sofort und sorgen Sie dafür das das Sicherheitsnetz schnellstmöglich befestigt wird. Seitlicher Abstand zum Trampolin ist ebenfalls wichtig. Stellen Sie das Trampolin nicht in der Nähe von Mauern, Gebäuden, Zäunen und anderen Spielbereichen auf. Halten Sie auf allen Seiten des Trampolins einen Freiraum ein.



Gestatten Sie es Kindern nicht während windigem oder stürmischem Wetter das Trampolin zu nutzen. Das Trampolin kann durch (starken) Wind seine Bodenhaftung verlieren und angehoben werden, was zu schweren Verletzungen oder sogar dem Tod führen kann.



EINLEITUNG

Bevor Sie mit der Benutzung dieses Trampolins beginnen, lesen Sie bitte alle Informationen in dieser Anleitung sorgfältig durch. Wie bei jeder anderen Art von körperlicher Freizeitaktivität besteht auch beim Trampolinspringen eine Verletzungsgefahr. Um dieses Risiko zu verringern, ist es wichtig, dass Sie die entsprechenden Sicherheitsregeln und -tipps befolgen.

- Falscher und unsachgemäßer Gebrauch des Trampolins ist gefährlich und kann zu schweren Verletzungen führen!
- Trampoline sind Geräte zur Sprungunterstützung, die es dem Benutzer ermöglichen höher als normal zu springen und verschiedene Körperhaltungen während des Springens einzunehmen.
- Überprüfen Sie das Trampolin vor jedem Gebrauch auf abgenutzte Matten, lose oder fehlende Teile.
- Der ordnungsgemäße Aufbau, die Pflege und Wartung des Produkts, Sicherheitstipps, Warnhinweise und Tipps zum Erlernen der richtigen Sprungtechnik sind in dieser Anleitung enthalten. Alle Benutzer und Aufsichtspersonen müssen diese Anweisungen lesen und sich mit ihnen vertraut machen. Sämtliche Benutzer des Trampolins müssen sich ihrer eigenen Grenzen während des Springens auf dem Trampolins bewusst sein, sowie des vollen Ausmaßes möglicher Verletzungen.



KEINE SALT I ODER FLIPS - LÄHMUNG ODER TOD können die Folge sein, wenn Sie auf den Kopf oder Nacken fallen!



KEINE SALT I ODER FLIPS - LÄHMUNG ODER TOD können die Folge sein, wenn Sie auf den Kopf oder Nacken fallen!

Für Trampoline auf Füßen:

ZIEHEN SIE IMMER EINEN ARZT ZU RATE, BEVOR SIE EINE KÖRPERLICHE AKTIVITÄT AUSÜBEN

- Warnung. Nicht geeignet für Kinder unter 36 Monaten. Sturzgefahr.
- Warnung. Das Trampolin muss von einem Erwachsenen gemäß der Montageanleitung aufgebaut und vor der ersten Benutzung überprüft werden.
- Warnung. Das maximale Gewicht des Benutzers darf bei diesem Produkt 50 kg NICHT überschreiten.
- Warnung. Immer nur eine Person. Kollisionsgefahr.
- Beaufsichtigung durch einen Erwachsenen erforderlich.
- Warnung. Nur für den privaten Hausgebrauch geeignet.
- Warnung. Nur für den Gebrauch im Freien geeignet.
- Warnung. Keine Purzelbäume.
- Warnhinweis. Schließen Sie vor dem Springen immer die Netzöffnung.
- Warnung. Springen Sie ohne Schuhe.
- Warnung. Die Sprungmatte nicht benutzen, wenn diese nass ist.
- Warnung. Leeren Sie Taschen und Hände vor dem Sprung.
- Warnung: Springen Sie immer in der Mitte der Matte.
- Warnung. Essen Sie nicht während des Springens.
- Warnung. Verlassen Sie das Trampolin niemals durch einen Sprung.
- Warnung. Begrenzen Sie die Dauer der ununterbrochenen Nutzung (regelmäßige Pausen einlegen).
- Warnung. Benutzen Sie das Trampolin nicht bei starkem Wind und sichern Sie es, indem Sie es verankern.
- Warnung. Das Trampolin darf nicht in den Boden eingegraben werden.
- Warnung. Das Netz sollte jedes Jahr ersetzt werden.
- Größe der freien Flächen um das Trampolin: 2x2x8 Meter
- Kontrollieren Sie Ihr Trampolin vor jedem Gebrauch. Prüfen Sie hierbei Schrauben, Sprungmatte und Rahmenpolster auf mögliche Schäden.
- Das Trampolin darf nicht benutzt werden, wenn Teile fehlen oder bei möglichem Verschleiß.
- Stoppen Sie das Springen umgehend, wenn Sie sich unwohl fühlen oder wenn Ihnen schwindlig wird.

Für ebenerdige Trampoline:

WARNUNG!

- Für die Installation des Trampolins muss ein Loch in den Boden gegraben werden.
- Wenn Sie sich bezüglich der Bodenverhältnisse nicht sicher sind, wenden Sie sich bitte an einen Fachmann.
- Das Loch sollte kein Wasser ansammeln (daher ist eine Drainage erforderlich) und es sollte bei der Wartung gereinigt werden können.
- Das Trampolin soll bis auf Bodenhöhe eingegraben werden.



SPRUNGANLEITUNG

- Beachten und befolgen Sie die Übungsanweisungen und halten Sie bei der Benutzung des Geräts unbedingt die korrekte Körperhaltung ein.
- Bitte beachten Sie die gesundheitlichen Risiken, die ein falsches oder intensives Training verursachen kann.
- Grundlegende Hinweise und Empfehlungen für den Gebrauch
- Erlernen Sie die grundlegenden Körperhaltungen und Sprünge, bevor Sie sich an fortgeschrittenere Techniken wagen. Sie können die Trampolinroutine variieren, indem Sie die Basissprünge in verschiedenen Serien oder Kombinationen und mit oder ohne vertikale Sprünge zwischen den Tricks ausführen.
- Stoppen Sie einen Sprung durch Abfedern in den Knien, sobald Ihre Füße das Sprungtuch berühren. Diese Fähigkeit muss zuerst erlernt werden, bevor Sie sich den komplizierteren Sprüngen widmen können.
- Erlernen Sie zuerst die Technik der Basissprünge, bevor Sie andere Techniken ausprobieren.
- Vermeiden Sie zu hohe Sprünge.
- Halten Sie die Sprunghöhe auf einem beherrschbaren Niveau, bis Sie die benötigte Kontrolle erreicht haben und regelmäßig exakt in der Mitte des Trampolins landen.
- Kontrolle ist wichtiger als Höhe.
- Schauen Sie nie vom Trampolin weg. Das hilft Ihnen, Ihre Sprünge zu kontrollieren.
- Vermeiden Sie es, auf dem Trampolin zu hüpfen, wenn Sie müde sind.
- Halten Sie Ihre Sitzungen kurz
- Benutzen Sie das Trampolin nur, wenn Sie in ausgezeichneter körperlicher Verfassung sind.
- Informationen zum Erlernen zusätzlicher Techniken und Tricks erhalten Sie von einem professionellen Trampolinlehrer.
- Stellen Sie das Trampolin auf einer ebenen Fläche auf, die mindestens 2 m von jeder Struktur oder jedem Hindernis wie einem Zaun, einer Garage, einem Haus, überhängenden Ästen, Wäscheleinen oder elektrischen Leitungen entfernt ist.
- Trampoline dürfen weder auf Beton, Asphalt oder einer anderen harten Oberfläche noch in der Nähe anderer konkurrierender Einrichtungen (z. B. Planschbecken, Schaukeln, Rutschen, Klettergerüste) aufgestellt werden.
-

MONTAGEANLEITUNG & GEBRAUCHSANWEISUNG

- Um die Sicherheit des Produkts zu gewährleisten, beachten Sie bitte die Montage- und Einstellanweisungen sowie die Gebrauchsanweisung.
- Bitte lesen Sie diese sorgfältig durch und bewahren Sie sie zum späteren Nachschlagen auf.

WICHTIGE ANWEISUNGEN FÜR DAS NETZ UND DIE MATTE DER UMZÄUNUNG

1. **Wartung von Sicherheitsnetz, Sprungtuch und Rahmenpolstern**

Sicherheitsnetze und Rahmenpolster sind Verschleißteile, vergleichbar mit Autoreifen. Die Geschwindigkeit, mit der sich das Material allmählich abnutzt, hängt davon ab, wie stark es UV-Strahlen, Luftverschmutzung und Witterungseinflüssen wie Regen und Wind ausgesetzt ist. Das Netz und die Polsterung müssen ordnungsgemäß gewartet und überprüft werden, indem der in dieser Anleitung beschriebene Wartungsplan befolgt wird. Bei Anzeichen von Materialermüdung, darf das Trampolin nicht mehr benutzt werden bis ein Ersatznetz bzw. ein Ersatzpolster ordnungsgemäß installiert wurden.

2. Wartungsanforderungen für das Sicherheitsnetz

Das Netz des Trampolins ist aus UV-beständigem Material hergestellt. Trotzdem verschlechtert sich die Netzstruktur mit der Zeit infolge von starken Witterungseinflüssen (Sonnenlicht, Wind, Feuchtigkeit, Insekten, Tiere usw.) Kontrollieren Sie darum das Netz vor jedem Gebrauch. Dazu gehört unter anderem die Überprüfung des Netzes auf Risse, starker Abnutzung, Sprödigkeit und Dehnung. Überprüfen Sie auch alle Verschlüsse und das gesamte Netz auf allgemeine Unversehrtheit. Das Netz muss sofort ausgetauscht werden, wenn es Anzeichen von Verschleiß, Beschädigung, Dehnung, Rissen, Lockerheit, Sprödigkeit oder anderen Beeinträchtigungen aufweist. Der folgende Wartungsplan muss befolgt werden:

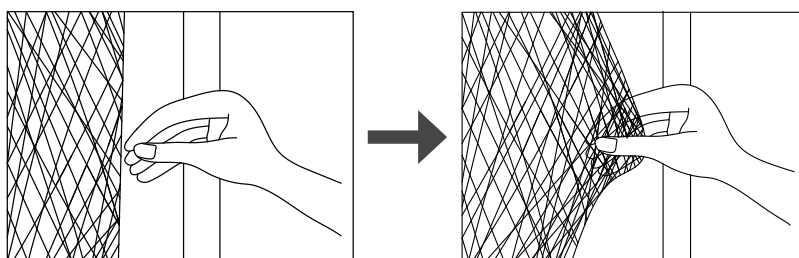
1 – 2 Monate	3 – 6 Monate	6 – 12 Monate
Kontrollieren Sie das Sicherheitsnetz (Netz, Netzaufhängung und Gurte) vor jedem Gebrauch..	Gründliche Inspektion des Netzes, der Aufhängung und der Gurte auf UV-Schäden und vor jedem Gebrauch.	Untersuchen Sie das Netz, die Netzaufhängung und die Gurte vor jedem Gebrauch gründlich auf UV-Schäden.

ES WIRD EMPFOHLEN, DAS SICHERHEITSNETZ BEI NORMALEM GEBRAUCH JÄHRLICH AUSZUWECHSELN, AUCH WENN ES KEINE SICHTBAREN ANZEICHEN VON SCHÄDEN AUFWEIST.

Überprüfung des Trampolinnetzes auf ordnungsgemäßen Gebrauch

Überprüfen Sie das Netz der Überdachung vor jeder Benutzung des Trampolins und der Überdachung auf Anzeichen von UV-Schäden, Verschleiß, Sprödigkeit, Risse und Risse.

Schritt 1 - Überprüfen Sie das Überdachungsnetz vor JEDER Benutzung auf Verschleiß oder Risse, indem Sie einen Abschnitt des Netzes zwischen den Fingern einklemmen und nach unten ziehen. Siehe Diagramm unten.



Wenn das Netz reißt, knackt oder reißt, ist es unsicher und MUSS sofort abgenommen werden. **STELLEN SIE DIE BENUTZUNG DER TRAMPOLINÜBERDACHUNG EIN, WENN SIE ANZEICHEN VON VERSCHLEISS ODER RISSEN AM NETZ FESTSTELLEN.**

Schritt 2 - Gehen Sie um den gesamten Umfang des Trampolins herum, um es visuell auf Materialverschleiß oder andere Schäden zu überprüfen.

3. Wartungsanforderung für Trampolinpolster

Laufen Sie um das gesamte Trampolin herum und kontrollieren Sie das Rahmenpolster auf Materialverschleiß, Risse, Elastizitätsverlust oder andere Schäden an der Matte.

TRAMPOLINE & ENCLOSURE COMBO



WARTUNG

Es ist notwendig, die Hauptbestandteile (Rahmen, Aufhängung, Liegefläche, Polsterung und Überdachung) in regelmäßigen Abständen zu überprüfen und zu warten, wobei darauf hingewiesen wird, dass das Trampolin gefährlich werden kann, wenn diese Kontrollen nicht durchgeführt werden.

- Kontrollieren Sie alle Schrauben und Muttern auf einen festen Sitz und ziehen Sie sie bei Bedarf nach.
- Prüfen Sie, ob die Federn intakt sind und sich beim Springen nicht überdehnen können.
- Prüfen Sie, ob das Rahmenpolster die Federn abdeckt.
- Überprüfen Sie die Schnur, mit der das Sicherheitsnetz befestigt ist. Es besteht Erstickungsgefahr.
- Überprüfen Sie alle Abdeckungen auf Schrauben und scharfe Kanten und ersetzen Sie sie bei Bedarf.
- Überprüfen Sie, ob das Netz, das Sprungtuch und alle Schutzelemente in gutem Zustand sind und das Gewicht des Benutzers tragen können. Sonne, Regen, Schnee und extreme Temperaturen können die Lebensdauer der Trampolinteile verkürzen. Ersetzen Sie diese, falls erforderlich.
- Bei starkem Wind müssen Trampoline für den Außenbereich mit einer Vorrichtung ausgestattet sein, die ein Verrutschen durch den Wind verhindert (z. B. Verankerung im Boden oder Lasten wie Sandsäcke oder Wassersäcke).
- Bei starkem Wind sollten windfangende Elemente wie das Sicherheitsnetz und Sprungtuch entfernt werden.
- In bestimmten Ländern können im Winter die Schneelast und die sehr niedrigen Temperaturen das Trampolin beschädigen. Es wird empfohlen, den Schnee zu entfernen und die Matte und die Überdachung drinnen zu lagern.
- Prüfen Sie Sprungtuch/Matte, Polsterung und Sicherheitsnetz auf Mängel. Sonnenlicht, Regen, Schnee und extreme Temperaturen verringern mit der Zeit die Festigkeit dieser Teile.
- Vergewissern Sie sich, dass die Klettverschlüsse während der Benutzung des Trampolins richtig geschlossen sind.
- Wechseln Sie das Sicherheitsnetz alle 12 Monate aus, sowie andere Elemente die beschädigt sind bzw. Verschleiß aufweisen.
- Alle defekten Teile müssen gemäß den Anweisungen des Herstellers ersetzt werden.
- Bewahren Sie die Wartungsanleitung auf.
- Einzelheiten zur Kontaktaufnahme mit dem Kundendienst finden Sie auf der letzten Seite der Gebrauchsanweisung.

UMSTELLEN UND TRANSPORT

Für den Transport des Trampolins sind mindestens 2 Personen erforderlich. Stellen Sie sich um das Trampolin herum auf, heben Sie es vorsichtig an und bringen Sie es an den gewünschten Ort.

Beim Transport mit dem Auto muss das Trampolin vollständig abgebaut werden. Überprüfen Sie die Aufbauanleitung und befolgen Sie jeden Schritt, in umgekehrter Reihenfolge. Das Entfernen der Federn ist ein heikler Vorgang, der nur mit dem mitgelieferten Werkzeug durchgeführt werden darf.

GARANTIE

Der Besitzer des AXI Trampolin erhält nach dem Datum der Kaufquittung:

- 2 Jahre Garantie auf den Bruch des Rahmens
- 1 Jahre Garantie auf die Federn
- 1 Jahre Garantie auf den Schutzrand und das Sprungtuch.
- 1 Jahre Garantie auf das Reißen des Netzes

AXI behält sich das Recht vor, die Garantieerklärung in folgenden Fällen nicht einhalten zu müssen:

- Fehlen eines originalen Kaufbelegs.
- Verwendung zu anderen Zwecken, als denen, für die das AXI Trampolins entwickelt wurde.
- Eine andere als die vorgeschriebene Montageart.
- Die nicht fachkundige Ausführung technischer Reparaturen.
- Verwendung der AXI Trampolin auf öffentlichen Plätzen wie Schulen und Kindertagesstätten.
- Vermietung der AXI Trampolin an Dritte.
- Ausbleiben der regelmäßigen Kontrolle und bei Bedarf des Austauschs von Teilen, Schrauben und Verbindungen.

LEHRPLAN

Die folgenden Lektionen werden empfohlen, um die grundlegenden Schritte und Sprünge zu erlernen, bevor Sie zu schwierigeren, komplizierteren Sprüngen übergehen. Sie sollten alle Sicherheitsanweisungen lesen und verstehen, bevor Sie das Trampolin besteigen. Eine vollständige Diskussion und Demonstration der Körpermechanik und der Trampolinrichtlinien sollte zwischen dem Betreuer und dem Schüler stattfinden.

Lektion 1

- A. Auf- und Absteigen - Demonstration der richtigen Techniken
- B. Der Grundsprung - Demonstration und Übung
- C. Bremsen (Check the Bounce) - Demonstration und Übung. Lernen, auf Kommando zu bremsen
- D. Hands and knees - Demonstration und Übung. Der Schwerpunkt sollte auf der Vier-Punkt-Landung und der Ausrichtung liegen

Lektion 2

- A. Wiederholung und Übung der in Lektion 1 erlernten Techniken
- B. Kniesprung-Demonstration und Übung. Erlernen Sie die grundlegende Kniebeuge und das Wiederaufrichten, bevor Sie eine halbe Drehung nach links und rechts versuchen.
- C. Seat Bounce-Demonstration und Übung. Lernen Sie den grundlegenden Seat Bounce und fügen Sie dann einen Kniesprung, Hände und Knie hinzu; Wiederholung

Lektion 3

- A. Überprüfen und üben Sie die in den vorherigen Lektionen erlernten Fähigkeiten und Techniken.
- B. Bauchfall- Alle Personen sollten aufgefordert werden, die Bauchlage einzunehmen (mit dem Gesicht nach unten auf dem Boden), während der Ausbilder sie auf fehlerhafte Positionen überprüft, die zu Verletzungen führen könnten.
- C. Beginnen Sie mit einem Strecksprung und strecken Sie dann den Körper in die Bauchlage, landen Sie auf der Matte und kommen Sie wieder auf die Füße.
- D. Übungsroutine – Strecksprung, Bauchsprung, zurück auf die Füße, Sitzsprung, zurück auf die Füße

Lektion 4

- A. Wiederholung und Übung der in den vorherigen Lektionen erlernten Fähigkeiten und Techniken
- B. Halbe Drehung
 - 1. Starten Sie aus der vorderen Fallposition. Sobald Sie die Matte berühren, stoßen Sie sich mit den Armen nach rechts oder links ab und drehen Kopf und Schultern in die gleiche Richtung.
 - 2. Achten Sie während der Drehung darauf, dass der Rücken parallel zur Matte und der Kopf nach oben zeigt.
 - 3. Nach der Drehung in der vorderen Fallposition landen.

Nach Abschluss dieser Lektion haben Personen nun ein grundlegendes Verständnis für Trampolinsprünge. Die Springer sollten ermutigt werden, ihre eigenen Übungen zu entwickeln, wobei der Schwerpunkt auf Kontrolle und Form liegt.

Ein Spiel, das gespielt werden kann, um die Schüler zu ermutigen, zu versuchen, Routinen zu entwickeln, ist "BOUNCE". Bei diesem Spiel zählen die Spieler von 1 bis 10. Spieler eins beginnt mit einem Manöver. Spieler zwei muss das Manöver von Spieler eins nachmachen und ein weiteres hinzufügen. Spieler Drei führt die Manöver von Eins und Zwei aus und fügt dann ein drittes Manöver hinzu. So geht es weiter, bis ein Spieler die Übung nicht mehr in der richtigen Reihenfolge ausführen kann. Die erste Person, der dies nicht gelingt, erhält den Buchstaben "B". So geht es weiter, bis jemand das Wort "BOUNCE" buchstabiert. Der letzte verbliebene Teilnehmer ist der Gewinner! Auch bei diesem Spiel ist es wichtig, dass Sie Ihre Übungen kontrolliert ausführen. Versuchen Sie keine schwierigen oder sehr geschickten Sprünge, die Sie noch nicht beherrschen.

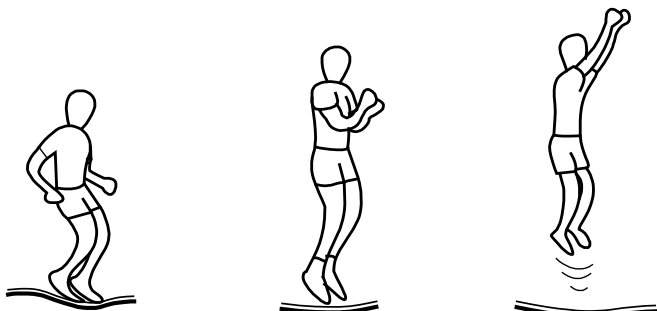
Wenden Sie sich an einen zertifizierten Trampolintrainer, um Ihre Trampolinfähigkeiten weiterzuentwickeln.

TRAMPOLINE & ENCLOSURE COMBO



GRUNDLEGENDE TRAMPOLINSPRÜNGE

DER STRECKSPRUNG



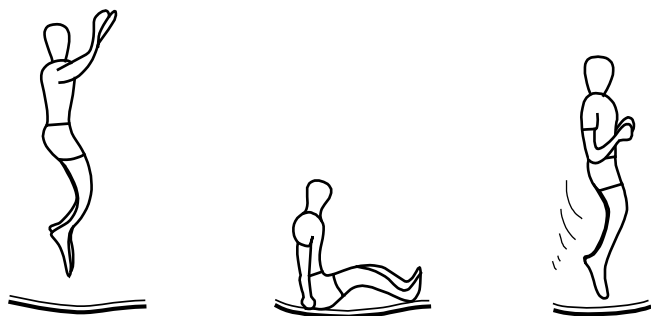
1. Beginnen Sie im Stehen, mit schulterbreit auseinander stehenden Füßen, Kopf nach oben und Blick auf die Matte.
2. Schwingen Sie die Arme in einer kreisförmigen Bewegung nach vorne und oben.
3. Führe die Füße in der Luft zusammen und zeige mit den Zehen nach unten.
4. Bei der Landung auf der Matte die Füße schulterbreit auseinander halten.

KNIESPRUNG



1. Beginnen Sie mit dem Strecksprung und halten Sie ihn niedrig.
2. Lande auf den Knien, halte deinen Rücken gerade und deinen Körper aufrecht, während du deine Arme benutzt, um das Gleichgewicht zu halten.
3. Springe zurück in die Grundposition, indem du die Arme nach oben schwingst.

SITZSPRUNG



1. Landen Sie in einer flachen Sitzposition.
2. Legen Sie die Hände neben den Hüften auf die Matte,
3. aber schließen Sie die Ellbogen nicht ein.
4. In die aufrechte Position zurückkehren, indem man sich mit den Händen abstößt.

DER 180 GRAD SPRUNG



1. Beginne mit der Front Bounce Position
2. Stoßen Sie sich mit den linken oder rechten Händen und Armen ab (je nachdem, in welche Richtung Sie sich drehen möchten).
3. Halten Sie Kopf und Schultern in der gleichen Richtung, während Sie den Rücken parallel zur Matte und den Kopf nach oben halten.
4. Lande in der Bauchlage und kehre in den Stand zurück



VERSTIKKINGSGEVAAR

Kleine onderdelen. Niet geschikt voor kinderen onder de 36 maanden.

HET PRODUCT MOET DOOR EEN VOLWASSENE GEMONTEERD WORDEN.

Beschrijving potentieel gevaar, bv in ongemonteerde toestand bevat het potentieel gevaarlijke punten, zorg ervoor dat baby's er niet bij kunnen.

Alleen geschikt voor particulier gebruik. Bewaar deze informatie.

- **U DIENT DE INSTRUCTIES IN DEZE HANDLEIDING GRONDIG LEZEN EN BEGRIJPEN VOORDAT U DEZE TRAMPOLINE IN ELKAAR ZET EN GEBRUIKT.**
- **BEWAAR DEZE HANDLEIDING VOOR TOEKOMSTIG GEBRUIK.**
- **HET MAXIMUMGEWICHT VAN DE GEBRUIKER MAG NIET MEER DAN 50 KG BEDRAGEN.**
- **LAAT NIET MEER DAN ÉÉN PERSOON TEGELIJK OP DE TRAMPOLINE.**
- **STA NIET TOE DAT JONGE KINDEREN DE TRAMPOLINE GEBRUIKEN, TENZIJ ONDER TOEZICHT VAN EEN VOLWASSENE.**
- **HET NET MAAKT DEEL UIT VAN DE STRUCTUUR VAN DE TRAMPOLINE.**
- **DE TRAMPOLINE MAG NIET WORDEN GEBRUIKT ZONDER DAT HET NET IS GEMONTEERD.**
- **UITSLUITEND VOOR HUISHOUDELIJK GEBRUIK BUITENSHUIS.**

WAARSCHUWING! MAX 50 KG

TRAMPOLINE MONTEREN EN VERPLAATSEN

Kies vóór de montage een plaats waar u de trampoline permanent wilt hebben.



VERPLAATSEN VAN DE TRAMPOLINE

Als u de trampoline moet verplaatsen, dient dit met twee of drie personen te gebeuren. Til bij het verplaatsen de trampoline iets van de grond en houd hem horizontaal ten opzichte van de grond. Voor elk ander type verplaatsing moet u de trampoline demonteren.



Wij raden u ten sterkste aan de trampoline niet zonder veiligheidsnet te gebruiken. Als u merkt dat de trampoline zonder omheining wordt gebruikt, moet u de gebruiker stoppen en onmiddellijk het net aanschaffen en monteren. Zijdellingse vrije ruimte is essentieel. Plaats de trampoline uit de buurt van muren, constructies, hekken en andere speelplaatsen. Zorg voor een vrije ruimte aan alle kanten van de trampoline.



Laat kinderen niet op de trampoline spelen of springen als het winderig is of tijdens een storm. De wind kan deze trampoline optillen en ernstig letsel of de dood tot gevolg hebben.



INLEIDING

Voordat u deze trampoline gaat gebruiken, dient u alle informatie in deze handleiding zorgvuldig doorlezen. Net als bij elke andere vorm van vrijetijdsbesteding kunnen deelnemers gewond raken. Om het risico op letsel te verkleinen, moet u de veiligheidsregels en -tips in acht nemen.

- Verkeerd gebruik en misbruik van deze trampoline is gevaarlijk en kan ernstig letsel veroorzaken!
- Trampolines zijn rebound-apparaten en stuwen de gebruiker naar ongebruikelijke hoogten en in een verscheidenheid aan lichaamsbewegingen.
- Controleer de trampoline voor elk gebruik op versleten matten, losse of ontbrekende onderdelen.
- De juiste montage en onderhoud van het product, veiligheidstips, waarschuwingen, en de juiste technieken bij het springen en bouncen zijn allemaal opgenomen in deze handleiding. Alle gebruikers en toezichthouders moeten deze handleiding lezen en zich er vertrouwd mee maken. Iedereen die ervoor kiest deze trampoline te gebruiken, moet zich bewust zijn van zijn eigen beperkingen met betrekking tot het uitvoeren van verschillende sprongen en bounces met deze trampoline.



GEEN SALTO'S OF FLIPS - VERLAMMING OF DOOD kunnen het gevolg zijn als u op uw hoofd of nek terechtkomt!



Niet meer dan ÉÉN gebruiker tegelijk (maximumgewicht - 50kg).

VOOR Trampolines op de grond:

RAADPLEEG ALTIJD EEN ARTS VOORDAT U ENIGE VORM VAN LICHAMELIJKE ACTIVITEIT UITOEFENT

- Waarschuwing. Niet geschikt voor kinderen jonger dan 36 maanden. Valgevaar.
- Waarschuwing. De trampoline moet door een volwassene volgens de montagehandleiding in elkaar worden gezet en vóór het eerste gebruik worden gecontroleerd.
- Waarschuwing. Het maximum gewicht van de gebruiker mag voor dit product NIET meer dan 50kg bedragen.
- Waarschuwing. Slechts één persoon tegelijk op de trampoline. Botsingsgevaar.
- Toezicht door volwassenen vereist.
- Waarschuwing. Alleen voor huishoudelijk gebruik.
- Waarschuwing. Alleen voor gebruik buitenshuis.
- Waarschuwing. Geen salto's.
- Waarschuwing. Sluit altijd de netopening alvorens te springen.
- Waarschuwing. Spring zonder schoenen.
- Waarschuwing. Gebruik de mat niet als deze nat is.
- Waarschuwing. Maak zakken en handen leeg alvorens te springen.
- Waarschuwing. Spring altijd in het midden van de mat.
- Waarschuwing. Niet eten tijdens het springen.
- Waarschuwing. Verlaat de trampoline niet door te springen.
- Waarschuwing. Beperk de tijd van ononderbroken gebruik (houd regelmatig pauze).
- Waarschuwing. Gebruik de trampoline niet bij harde wind en zet hem goed vast.
- Waarschuwing. De trampoline is niet bedoeld om in de grond ingegraven te worden.
- Waarschuwing. Het net dient elk jaar vervangen worden.
- Grootte van de vrije ruimtes rond de trampoline: 2x2x8 meter
- Controleer uw trampoline altijd voor gebruik. Besteed speciale aandacht aan alle bouten, springmat en de positie van het randkussen.
- Gebruik de trampoline niet als er onderdelen ontbreken of bij sporen van slijtage.
- Stop onmiddellijk met springen als u zich onwel voelt of duizelig voelt.
- Het veiligheidsnet is er om te voorkomen dat de gebruiker van de trampoline valt, en is niet bedoeld om onnodig op te springen.

VOOR Trampoline in de grond:

WAARSCHUWING!

- Voor de installatie van de trampoline moet een gat in de grond worden gegraven.
- Als u niet zeker bent van het grondwerk, neem dan contact op met een vakman.
- Het gat mag geen water ophopen (dus een waterafvoer is noodzakelijk) en het moet bij onderhoud kunnen worden schoongemaakt.
- De trampoline is bedoeld om in de grond ingegraven te worden.



INSTRUCTIES VOOR HET SPRINGEN

- Raadpleeg en volg de oefeninstructies en zorg te allen tijde voor een juiste biomechanische houding bij het gebruik van het toestel.
- Wees uzelf bewust van de gezondheidsrisico's die een verkeerde of intensieve training kan veroorzaken.
- Basisprincipes en aanbevelingen voor gebruik
- Leer de basis lichaamshoudingen en sprongen voordat u meer geavanceerde technieken probeert. U kunt de trampolineroutine variëren door de basisprongen in verschillende reeksen of combinaties uit te voeren, en met of zonder verticale sprongen tussen de trucs.
- Om het stuiten te stoppen, buig je je knieën als je voeten op het springvlak van de trampoline landen.
- Leer eerst deze techniek voordat je andere probeert.
- Vermijd te hoge sprongen.
- Hou het bij kleine springbewegingen tot je in het midden van de trampoline kunt springen en landen met een perfecte controle.
- Controle is belangrijker dan hoogte.
- Kijk nooit weg van de trampoline. Dit zal u helpen uw sprongen onder controle te houden.
- Vermijd springen op de trampoline als u moe bent.
- Houd uw sessies kort
- Gebruik de trampoline alleen als u in uitstekende lichamelijke conditie bent.
- Voor informatie over het aanleren van extra technieken en trucs kunt u contact opnemen met een professionele trampoline-instructeur.
- Plaats de trampoline op een vlakke ondergrond op ten minste 2 m van een obstakel, zoals een hek, garage, huis, overhangende takken, waslijnen of elektrische draden.
- Trampolines mogen niet op beton, asfalt of een andere harde ondergrond worden geplaatst, noch in de nabijheid van andere plekken die voor risico's kunnen zorgen (bijv. kinderbadjes, schommels, glijbanen, klimrekken).

MONTAGE-INSTRUCTIES & GEBRUIKSAANWIJZING

Om de veiligheid van het product te garanderen, dient u de montage- en afstel instructies en de gebruiksaanwijzing in acht te nemen. Lees ze aandachtig en bewaar ze voor toekomstig gebruik.

Montage-instructies

Dit product dient gemonteerd te worden. Gelieve zorgvuldig de stappen te volgen die in deze instructies worden beschreven (meegeleverde onderdelenlijsten en gereedschap, assemblageprocedure, enz.).

BELANGRIJKE INSTRUCTIES VOOR NET EN MAT

1. Onderhoud van het trampolinebeveiligingsnet, de -mat en het -kussen

Omheiningnetten en onderleggers zijn aan slijtage onderhevig, net als de banden van een auto. Geleidelijke verslechtering van het materiaal zal optreden, waarvan de snelheid zal afhangen van de mate van blootstelling aan UV-stralen, luchtvervuiling en weersomstandigheden buiten, zoals regen en wind.

Het net en de bekleding moeten goed worden onderhouden en gecontroleerd aan de hand van het onderhoudsschema in deze gebruiksaanwijzing. Als het materiaal tekenen van slijtage vertoont, moet u het gebruik van de trampoline onmiddellijk stoppen, de trampoline correct opbergen en de toegang voor gebruikers beperken totdat een nieuw vervangingsnet of -vulling naar behoren is geïnstalleerd.

2. Onderhoudsvoorschriften voor het net

Het net van uw trampolijneoverdekking is gemaakt van UV-bestendig materiaal. Desondanks wordt het net blootgesteld aan de elementen buiten, zoals zonlicht, wind, regen en wilde dieren. Het net rond de trampolijne moet voor elk gebruik worden gecontroleerd. Dit omvat, maar is niet beperkt tot, het controleren van het net op scheuren, overmatige slijtage, broosheid en uitrekking. Controleer ook alle verbindingen en de hele omheining op algemene stevigheid. Het net moet onmiddellijk worden vervangen als het tekenen vertoont van slijtage, beschadiging, uitrekken, barsten, loszitten, broosheid of ander verlies van integriteit. Het volgende onderhoudsschema dient aangehouden te worden:

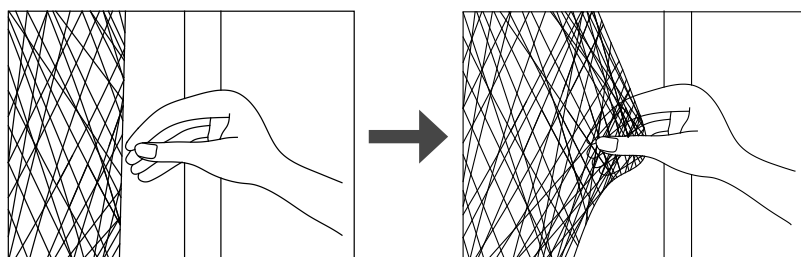
1 tot 3 maanden	3 tot 6 maanden	6 tot 12 maanden
Inspecteer de omheining (net, nethanger en riemen) vóór elk gebruik.	Grondige inspectie op UV-schade en vóór elk gebruik van net, nethanger en riemen.	Grondige inspectie vóór elk gebruik van net, nethanger, riemen, ritsen, banden en touwtjes. Vervangen na 12 maanden of eerder indien nodig.

DE AANBEVELING IS HET NET BIJ NORMAAL GEBRUIK JAARLIJKS TE VERVANGEN, OOK AL VERTOONT HET GEEN ZICHTBARE TEKENEN VAN BESCHADIGING.

Hoe het trampolijnet te controleren voor een juist gebruik

Controleer het net van de overdekking altijd op tekenen van UV-schade, verslechtering, broosheid, scheuren, elke keer voordat u de trampolijne en de overdekking gebruikt.

Stap 1 - Controleer het net voor ELK gebruik op slijtage of scheuren door een deel van het net tussen de vingers te knijpen en naar beneden te trekken. Zie onderstaande tekening.



Als het net een scheur-, barst- of scheurgeluid maakt, dan is het net onveilig en MOET het onmiddellijk worden verwijderd. **STOP HET GEBRUIK VAN DE TRAMPOLIJNEOVERDEKKING ALS U TEKENEN VAN SLIJTAGE OF SCHEUREN OP HET NET VINDT.**

Stap 2 - Loop rond de hele omtrek van de trampolijne om visueel te controleren op materiaalafbraak of andere schade

3. Onderhoudsvoorschriften voor het randkussen

Loop rond de hele omtrek van de trampolijne om visueel te controleren op verslechtering van het materiaal, scheuren, loszitten, verlies van elasticiteit of andere schade aan het randkussen.

TRAMPOLINE & ENCLOSURE COMBO



ONDERHOUD

De belangrijkste onderdelen (frame, veersysteem, bed, bekleding en omheining) moeten regelmatig worden gecontroleerd en onderhouden, waarbij erop moet worden gewezen dat het gebruik van de trampoline gevaarlijke situaties met zich mee kan brengen, als deze controles niet worden uitgevoerd.

- Controleer of alle bouten en moeren goed vastzitten en draai ze zo nodig vast.
- Controleer of de veren intact zijn en niet los kunnen raken tijdens het springen.
- Controleer of het ronde beschermingskussen de veren bedekt.
- Controleer het koord dat wordt gebruikt om het net vast te maken. Gevaar voor verstikking.
- Controleer alle afdekkingen op bouten en scherpe randen en vervang ze indien nodig
- Controleer of het net, de springmat en alle beschermingselementen in goede staat zijn en het gewicht van de gebruiker kunnen dragen. Zon, regen, sneeuw en extreme temperaturen kunnen de levensduur van onderdelen van de trampoline verkorten. Vervang ze, indien nodig.
- Bij sterke wind moeten trampolines voor buitengebruik voorzien zijn van een versteviging om wegwaaien door wind te voorkomen (bv. stalen staven in de grond of ladingen zoals zandzak of waterzak).
- Bij sterke wind moeten onderdelen die de wind vangen, zoals netten en matten, worden verwijderd.
- In sommige landen kan de trampoline in de winter beschadigd raken door de sneeuwbelasting en de zeer lage temperatuur. Het wordt aanbevolen om de sneeuw te verwijderen en de mat en de omheining binnen op te slaan.
- Controleer of de mat, randkussen en de omheining geen gebreken vertonen. Zonlicht, regen, sneeuw en extreme temperaturen verminderen na verloop van tijd de stevigheid van deze onderdelen.
- Zorg ervoor dat de klittenbandsluitingen goed gesloten zijn tijdens het gebruik van de trampoline.
- Vervang het net, de springmat en de beschermingselementen elk jaar.
- Alle defecte onderdelen moeten worden vervangen volgens de instructies van de fabrikant.
- Bewaar de onderhoudsinstructies.
- Raadpleeg de laatste pagina van de gebruikershandleiding voor meer informatie over hoe u contact kunt opnemen met de klantenservice na verkoop.

VERPLAATSEN EN TRANSPORT

Er zijn minimaal 2 personen nodig om de trampoline te verplaatsen. Plaats uzelf rond de trampoline, til de constructie voorzichtig op en verplaats hem naar de gewenste locatie.

De trampoline moet volledig gedemonteerd worden als hij met de auto wordt vervoerd of over een langere afstand. Controleer de montage-instructies en volg elke stap, beginnend bij het einde. Het verwijderen van veren is een delicate handeling die alleen met het bijgeleverde gereedschap mag worden uitgevoerd.

GARANTIE

De eigenaar van de AXI Trampoline heeft na de datum van de aankoopnota:

- 2 jaar garantie op het breken van het frame
- 1 jaar garantie op de veren
- 1 jaar garantie op de beschermrand en springdoek.
- 1 jaar garantie op het scheuren van het net

AXI behoudt het recht geen garantie te verlenen als er sprake is van:

- het ontbreken van een origineel aankoopbewijs;
- toepassing voor andere doeleinden dan waarvoor de AXI trampoline ontwikkeld is;
- een andere dan de voorgeschreven wijze van montage;
- het onvakkundig uitvoeren van technische reparaties;
- gebruik van de AXI trampoline op openbare plaatsen zoals scholen en kinderdagverblijven;
- verhuur van de AXI trampoline aan derden;
- het nalaten van de regelmatige controle op en waar nodig vervanging van onderdelen, schroeven en verbindingen.

LEREN VAN DE BASISVAARDIGHEDEN VAN DE TRAMPOLINE

De volgende lessen worden u voorgesteld om de basisstappen en -sprongen te leren. Voordat u de trampoline gebruikt, moet u alle waarschuwingen lezen en begrijpen. Een volledige bespreking en demonstratie van de lichaamsmechanica en de trampoline-richtlijnen moet ook plaatsvinden tussen de begeleider en de leerling. De sprongen zijn op de volgende pagina schematisch weergegeven.

Les 1

- A. Op- en afstappen - Demonstratie van de juiste technieken
- B. De basisstuit - Demonstratie en oefening
- C. Remmen (Check de Bounce - demonstratie) en oefenen. Leren remmen op commando
- D. Basis- en kniesprong demonstratie en oefening. Nadruk moet liggen op vierpuntslanding en uitlijning

Les 2

- A. Herziening en oefening van de in Les 1 geleerde technieken.
- B. Kniebots - Demonstratie en oefening. Leer de basis van neer naar knie en terug omhoog alvorens de halve draai naar links en rechts te proberen.
- C. Zitsprong - Demonstratie en oefening. Leer de basis zitsprong en voeg dan een kniesprong toe, handen en knieën herhalen

Les 3

- A. Herhaal en oefen de vaardigheden en technieken uit de vorige lessen.
- B. Buiksprong (of buikdrop) - Om schuurplekken op de mat te vermijden en de frontale spronghouding aan te leren, moet aan alle leerlingen gevraagd worden om de buikligging aan te nemen (met het gezicht naar beneden op de grond) terwijl de instructeur controleert op foutieve houdingen die blessures kunnen veroorzaken
- C. Begin met een basis- en kniesprong en strek dan het lichaam uit in buikligging en op de mat en keer terug naar de voeten
- D. Oefenroutine- basis- en kniesprong, buiksprong, terugkeer naar de staande positie, zitsprong, terugkeer naar staande positie, zitsprong, terugkeer naar staande positie

Les 4

- A. Herhaal en oefen de vaardigheden en technieken geleerd in de vorige lessen.
- B. Halve draai
 1. Start vanuit de voorste valpositie en als je contact maakt met de mat, duw je af met de armen in de rechter- of linker richting en draai je hoofd en schouders in dezelfde richting
 2. Zorg ervoor dat je tijdens de draai je rug parallel aan de mat houdt en je hoofd omhoog
 3. Na het afronden van de draai, land in de voorover val positie.

Na deze les heeft de leerling nu een basiskennis van trampolinespringen. Springers moeten aangemoedigd worden om te proberen hun eigen routines te ontwikkelen met de nadruk op controle en vorm.

Een spel dat gespeeld kan worden om leerlingen aan te moedigen routines te ontwikkelen is "BOUNCE". Bij dit spel tellen de spelers af van 1 tot X. Speler één begint met een manoeuvre. Speler twee moet de manoeuvre van Speler één doen en er nog een aan toevoegen. Elke speler moet de manoeuvre goed uitvoeren in de juiste volgorde. De eerste die mist krijgt de letter "B". Dit gaat zo door totdat iemand het woord "BOUNCE" uitspelt. De laatst overgebleven deelnemer is de winnaar! Ook bij dit spel is het belangrijk dat je je routines onder controle uitvoert en geen moeilijke of zeer geoefende sprongen probeert die je nog niet onder de knie hebt.

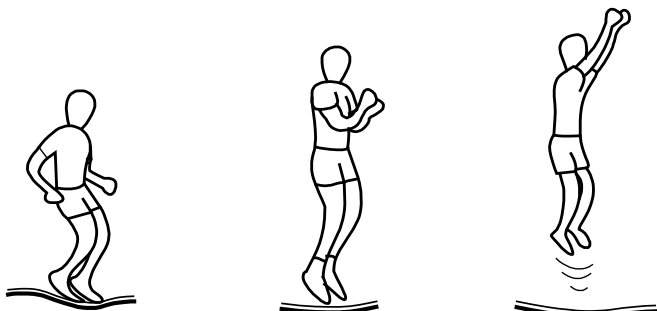
Neem contact op met een gediplomeerde trampoline-instructeur om uw trampolinevaardigheden verder te ontwikkelen.

TRAMPOLINE & ENCLOSURE COMBO



BASIS TRAMPOLINE SPRONGEN

BASISSPRONG



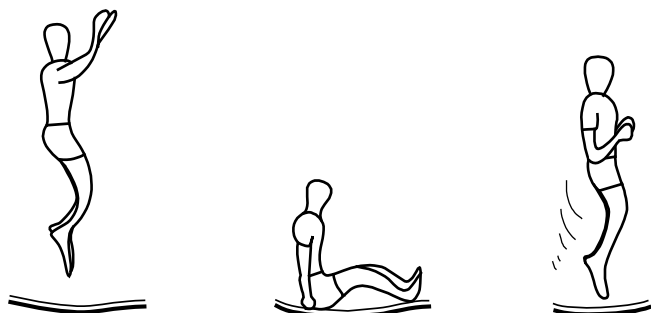
1. Begin vanuit staande positie met de voeten op schouderbreedte uit elkaar, hoofd omhoog en ogen op de mat gericht.
2. Zwaai uw armen naar voren, buig uw knieën en zwaai uw armen omhoog in een draaiende beweging.
3. Gooi uw voeten in de lucht met uw tenen naar de mat gericht.
4. Land op mat met uw voeten op schouderbreedte uit elkaar.

KNIESPRONG



1. Begin met een lage basissprong.
2. Land op de knieën, houd het lichaam rechtop met gestrekte rug en gebruik uw armen om uw evenwicht te bewaren.
3. Zwaai uw armen omhoog om terug te stuiten naar de positie voor de basissprong.

ZITSPRONG



1. Land op uw zitvlak.
2. Plaats uw handen op de mat naast uw heupen.
3. Duw uzelf met de handen terug naar staande positie.

HALVE SCHROEF



1. Maak een buiklanding.
2. Duw uzelf, vanaf het moment dat u in aanraking komt met de mat, omhoog met de linker- of rechterhand en arm (afhankelijk van de gekozen draairichting).
3. Zorg ervoor dat tijdens het draaien in horizontale positie blijft. Maak na de draai een buiklanding en veer terug in de staande positie.



RISQUE D'ÉTOUFFEMENT

Petit matériel. Ne convient pas pour les enfants de moins de 36 mois.

LE PRODUIT DOIT ÊTRE ASSEMBLÉ PAR UN ADULTE.

Description de risque potentiel, par exemple, Démonté, contient des pointes potentiellement dangereuses. À conserver hors de portée des enfants en bas âge.

Convient uniquement pour l'utilisation. Conserver pour une consultation ultérieure.

- **VOUS DEVEZ LIRE ATTENTIVEMENT ET COMPRENDRE LES INSTRUCTIONS DE CE MANUEL AVANT D'ASSEMBLER ET D'UTILISER CE TRAMPOLINE.**
- **CONSERVEZ CE MANUEL POUR TOUTE RÉFÉRENCE ULTÉRIEURE.**
- **LE POIDS MAXIMAL DE L'UTILISATEUR NE DOIT PAS DÉPASSER 50 KG (110 LB).**
- **NE LAISSEZ PAS PLUS D'UNE PERSONNE À LA FOIS MONTER SUR LE TRAMPOLINE.**
- **NE LAISSEZ PAS LES JEUNES ENFANTS UTILISER LE TRAMPOLINE SANS LA SURVEILLANCE D'UN ADULTE.**
- **LA CLÔTURE FAIT PARTIE DE L'INTÉGRITÉ STRUCTURELLE DU TRAMPOLINE.**
- **LE TRAMPOLINE NE DOIT PAS ÊTRE UTILISÉ SANS LE FILET D'ENCEINTE MONTÉ.**
- **UNIQUEMENT POUR UN USAGE DOMESTIQUE EXTÉRIEUR**

AVERTISSEMENT! MAX 50 KG

ASSEMBLAGE ET DÉPLACEMENT DU TRAMPOLINE

Avant le montage, choisissez l'endroit où vous souhaitez installer le trampoline de façon permanente.



DÉPLACER LE TRAMPOLINE

Si vous devez déplacer le trampoline, deux ou trois personnes sont nécessaires. Lors du déplacement, soulevez le trampoline légèrement du sol et maintenez-le à l'horizontale par rapport au sol. Pour tout autre type de déplacement, vous devez démonter le trampoline.



Nous vous recommandons vivement de ne pas utiliser le trampoline sans filet d'enceinte. Si vous constatez que le trampoline est utilisé sans filet, arrêtez l'utilisateur et achetez et installez le filet immédiatement. Le dégagement latéral est essentiel. Placez le trampoline loin des murs, structures, clôtures et autres aires de jeu. Maintenez un espace libre sur tous les côtés du trampoline.



Ne laissez pas les enfants jouer ou sauter sur le trampoline lorsqu'il y a du vent ou pendant la saison des tornades. Le vent peut soulever le trampoline et provoquer des blessures graves, voire mortelles.



INTRODUCTION

Avant de commencer à utiliser ce trampoline, veuillez à lire attentivement toutes les informations qui vous sont fournies dans ce manuel. Comme pour tout autre type d'activité physique récréative, les participants peuvent se blesser. Pour réduire le risque de blessure, veuillez à respecter les règles et conseils de sécurité appropriés.

- Une mauvaise utilisation et un usage abusif de ce trampoline sont dangereux et peuvent entraîner des blessures graves !
- Les trampolines, étant des dispositifs de rebondissement, propulsent le pratiquant à des hauteurs inhabituelles et dans une variété de mouvements corporels.
- Avant chaque utilisation, inspectez toujours le trampoline pour vérifier que les tapis ne sont pas usés et que les pièces ne sont pas desserrées ou manquantes.
- L'assemblage, l'entretien et la maintenance corrects du produit, les conseils de sécurité, les avertissements et les techniques appropriées pour sauter et rebondir sont tous inclus dans ce manuel. Tous les utilisateurs et superviseurs doivent lire et se familiariser avec ces instructions. Toute personne qui choisit d'utiliser ce trampoline doit être consciente de ses propres limites en ce qui concerne l'exécution de divers sauts et rebonds avec ce trampoline.



PAS DE SAUTS PÉRILLEUX OU DE SALTOS – PARALYSIE ET MORT peuvent en résulter si vous atterrissez



Pas plus d'UN utilisateur à la fois (poids maximum - 50 kg).

POUR Trampolines sur pieds:

CONSULTEZ TOUJOURS UN MEDECIN AVANT DE PRATIQUER UNE ACTIVITE PHYSIQUE QUELLE QU'ELLE SOIT

- Attention. Ne convient pas aux enfants de moins de 36 mois. Risque de chute.
- Attention. Le trampoline doit être monté par un adulte conformément aux instructions de montage et contrôlé avant la première utilisation.
- Attention. Le poids maximal de l'utilisateur ne doit PAS dépasser 50 kg pour ce produit.
- Attention. Un seul utilisateur. Risque de collision.
- La surveillance d'un adulte est requise.
- Attention. Uniquement pour un usage domestique.
- Attention. Uniquement pour un usage extérieur.
- Attention. Pas de sauts périlleux.
- Attention. Fermez toujours l'ouverture du filet avant de sauter.
- Attention. Sauter sans chaussures.
- Attention. N'utilisez pas le tapis lorsqu'il est mouillé.
- Attention. Videz vos poches et vos mains avant de sauter.
- Attention. Toujours sauter au milieu du tapis.
- Attention. Ne pas manger en sautant.
- Attention. Ne pas sortir par un saut.
- Attention. Limiter le temps d'utilisation continue (faire des arrêts réguliers).
- Attention. N'utilisez pas le trampoline en cas de vent fort et fixez-le.
- Attention. Le trampoline n'est pas destiné à être enterré dans le sol.
- Attention. Le filet doit être remplacé chaque année. Tous les 2 ans???
- Taille des espaces libres autour du trampoline : 2x2x8 mètres.
- Vérifiez toujours votre trampoline avant de l'utiliser. Portez une attention particulière à tous les boulons, à la position du tapis de saut et des coussins.
- N'utilisez pas le trampoline s'il manque des pièces ou si elles semblent présenter des signes d'usure.
- Arrêtez immédiatement l'exercice si vous vous sentez mal ou si vous avez des vertiges.
- Le filet d'enceinte est là pour empêcher l'utilisateur de tomber du trampoline.

POUR Trampolines enterrés:

AVERTISSEMENT !

- L'installation du trampoline nécessite de creuser une fosse dans le sol.
- Si vous n'êtes pas sûr de savoir comment creuser cette fosse correctement, veuillez contacter un professionnel.
- Elle doit être conçue de façon à ce que de l'eau ne puisse pas s'y accumuler (un drainage est donc nécessaire) et il doit être possible de la nettoyer régulièrement.
- Le trampoline est destiné à être enterré dans le sol.



INSTRUCTIONS DE SAUT

- Consultez et respectez les instructions d'exercice et conservez toujours absolument une position biomécanique correcte lorsque vous utilisez l'appareil.
- Soyez conscient des risques pour la santé qu'un entraînement incorrect ou intensif peut entraîner.
- Principes de base et recommandations d'utilisation :
- Apprenez les positions du corps et les sauts de base avant d'essayer des techniques plus avancées. Vous pouvez varier la routine du trampoline en effectuant les sauts de base dans différentes séries ou combinaisons, et avec ou sans sauts verticaux entre les figures.
- Pour arrêter de rebondir, pliez les genoux lorsque vos pieds atterrissent sur la surface de saut du trampoline.
- Apprenez d'abord cette technique avant d'en tenter d'autres.
- Évitez de rebondir trop haut.
- Contentez-vous de petits rebonds jusqu'à ce que vous puissiez sauter et atterrir au milieu du trampoline en maîtrisant parfaitement la situation.
- Le contrôle est plus important que la hauteur.
- Ne détournez jamais le regard du trampoline. Cela vous aidera à contrôler vos rebonds.
- Évitez de sauter sur le trampoline lorsque vous êtes fatigué.
- Faites des séances courtes.
- N'utilisez le trampoline que si vous êtes en excellente condition physique.
- Pour apprendre d'autres techniques et astuces, contactez un instructeur de trampoline professionnel.
- Placez le trampoline sur une surface plane à au moins 2 m de toute structure ou obstruction telle qu'une clôture, un garage, une maison, des branches en surplomb, des cordes à linge ou des fils électriques.
- Les trampolines ne doivent pas être installés sur du béton, de l'asphalte ou toute autre surface dure, ni à proximité d'autres installations conflictuelles (par exemple, des pataugeoires, des balançoires, des toboggans, des cadres d'escalade).

INSTRUCTIONS DE MONTAGE ET D'UTILISATION

Pour garantir la sécurité du produit, tenez compte des instructions de montage et de réglage, ainsi que du mode d'emploi. Veuillez les lire attentivement et les conserver pour référence ultérieure.

Instructions de montage.

Ce produit nécessite un montage. Veuillez à suivre attentivement les étapes décrites dans ces instructions (listes des pièces et outils fournis, procédure de montage, etc.).

IMPORTANTES INSTRUCTIONS SUR LE FILET DE PROTECTION ET LE TAPIS

1. Entretien du filet, du tapis et du coussin circulaire

Les filets d'enceinte et les coussins circulaires sont sujets à l'usure comme les pneus d'une voiture. Une détérioration progressive du matériau se produira, dont la rapidité dépendra du niveau d'exposition aux rayons UV, à la pollution atmosphérique et aux conditions climatiques extérieures telles que la pluie et le vent.

Le filet et le coussin circulaire doivent être correctement entretenus et contrôlés en suivant le programme d'entretien défini dans ces instructions. Lorsque le matériau montre des signes de faiblesse, vous devez cesser immédiatement d'utiliser le trampoline, le ranger correctement et en limiter l'accès aux utilisateurs jusqu'à ce qu'un nouveau filet ou coussin circulaire de remplacement soit correctement installé.

2. Exigences d'entretien du filet d'enceinte

Le filet d'enceinte du trampoline est fabriqué avec un matériau résistant aux UV. Malgré cela, le filet est exposé aux éléments extérieurs, notamment au soleil, au vent, à la pluie et aux animaux sauvages. Le filet entourant le trampoline doit être vérifié avant chaque utilisation. Cela inclut, sans s'y limiter, l'inspection du filet pour détecter les fissures, l'usure excessive, la fragilité et l'étirement. Inspectez également toutes les connexions et l'ensemble de l'enceinte pour vérifier l'intégrité générale. Le filet doit être immédiatement remplacé s'il présente des signes d'usure, de dommages, d'étirement, de fissures, de relâchement, de fragilité ou d'autres pertes d'intégrité. Le calendrier d'entretien suivant doit être respecté :

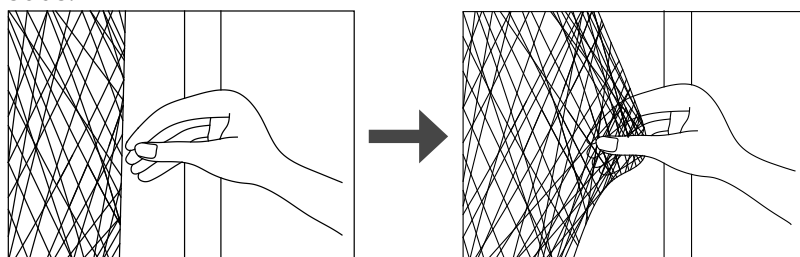
1 à 3 Mois	3 à 6 Mois	6 à 12 Mois
Inspectez le filet d'enceinte (filet, système de fixation du filet et sangles) avant tout usage du trampoline.	Inspection minutieuse du filet, du support de filet et des sangles avant chaque utilisation pour détecter les dommages causés par les UV.	Inspection minutieuse avant chaque utilisation du filet, du système de fixation du filet, des sangles, des fermetures éclair, des attaches et des ficelles. Remplacez-les après 12 mois ou plus tôt si nécessaire.

IL EST RECOMMANDÉ DE REMPLACER LE FILET TOUS LES ANS DANS DES CONDITIONS NORMALES D'UTILISATION, MÊME S'IL NE PRÉSENTE AUCUN SIGNE VISIBLE DE DÉTÉRIORATION.

Comment inspecter le filet de trampoline pour une utilisation correcte

Avant chaque utilisation du trampoline et de l'enceinte, vérifiez toujours que les mailles du filet ne présentent aucuns signes de dommages dus aux UV, de détérioration, de fragilité, de fissures ou de déchirures.

Étape 1 - Avant CHAQUE utilisation, vérifiez que le filet de l'enceinte n'est pas usé ou déchiré en pinçant et en tirant une section du filet entre les doigts et en tirant vers le bas. Voir le schéma ci-dessous.



S'il émet un bruit de déchirure, de craquement ou de déchirement, le filet n'est pas sûr et **DOIT** être démonté immédiatement. **CESSEZ D'UTILISER L'ENCEINTE DU TRAMPOLINE SI VOUS CONSTATEZ DES SIGNES D'USURE OU DE DÉCHIRURE SUR LE FILET.**

Étape 2 - Faites le tour de tout le périmètre du trampoline pour vérifier visuellement la détérioration des matériaux ou d'autres dommages.

3. Exigences d'entretien du Coussin Circulaire du trampoline

Faites le tour de tout le périmètre du trampoline pour vérifier visuellement la détérioration des matériaux, les déchirures, le relâchement, la perte d'élasticité ou tout autre dommage du coussin circulaire.

TRAMPOLINE & ENCLOSURE COMBO



ENTRETIEN

Il est nécessaire d'effectuer les contrôles et l'entretien des pièces principales (cadre, système de suspension, tapis, coussin circulaire et enceinte) à intervalles réguliers. Si ces contrôles ne sont pas effectués, le trampoline peut devenir dangereux.

- Vérifiez le serrage de tous les écrous et boulons et serrez-les si nécessaire.
- Vérifiez que les ressorts sont intacts et ne peuvent pas se décrocher lors des sauts.
- Vérifiez que le coussin de protection circulaire recouvre le ressort.
- Vérifiez la corde utilisée pour fixer le filet. Risque de suffocation.
- Vérifiez l'absence de boulons et d'arêtes vives sur tous les revêtements et remplacez-les si nécessaire.
- Vérifiez que le filet, le tapis de trampoline et tous les éléments de protection sont en bon état et capables de supporter le poids de l'utilisateur. Le soleil, la pluie, la neige et les températures extrêmes peuvent réduire la durée de vie des éléments du trampoline. Remplacez-les, si nécessaire.
- En cas de vent fort, les trampolines d'extérieur doivent être équipés d'un dispositif permettant d'éviter tout déplacement dû au vent (par exemple, des barres d'acier dans le sol ou des charges telles que des sacs de sable ou d'eau).
- En cas de vent fort, les éléments qui prennent le vent, comme le filet et le tapis, doivent être retirés.
- Dans certains pays, pendant la période hivernale, la charge de neige et la température très basse peuvent endommager le trampoline. Il est recommandé de retirer la neige et de stocker le tapis et la toile à l'intérieur.
- Vérifiez que le tapis, le coussin de protection et l'enceinte ne présentent aucun défaut. La lumière du soleil, la pluie, la neige et les températures extrêmes réduisent la résistance de ces pièces au fil du temps.
- Assurez-vous que les attaches auto-agrippantes sont correctement fermées pendant l'utilisation du trampoline.
- Remplacez le filet, le trampoline et les éléments de protection tous les ans.
- Toute pièce défectueuse doit être remplacée conformément aux instructions du fabricant.
- Conservez les instructions d'entretien.
- Pour savoir comment contacter le service après-vente, veuillez consulter la dernière page du guide de l'utilisateur.

DÉPLACEMENT ET TRANSPORT

Un minimum de 2 personnes est nécessaire pour déplacer le trampoline. Placez-vous autour du trampoline, soulevez doucement la structure et déplacez-la à l'endroit souhaité.

Le trampoline doit être entièrement démonté s'il est transporté en voiture sur une plus longue distance. Consultez les instructions de montage et suivez chaque étape en commençant par la fin. Le démontage des ressorts est une opération délicate qui doit être effectuée uniquement à l'aide de l'outil fourni.

GARANTIE

Le propriétaire du Trampoline AXI bénéficie d'une garantie après la date d'achat:

- de 2 ans sur la rupture du châssis
- de 1 an sur les ressorts
- de 1 an sur les bords de protection et sur le tapis de saut
- de 1 an sur le déchirement du filet

AXI se réserve le droit de refuser la garantie sous les conditions suivantes :

- manque d'un justificatif d'achat original ;
- application à des fins autres que celles précisées pour la trampoline de AXI ;
- montage autre que celui préconisé ;
- exécution incompétente des réparations techniques ;
- utilisation de la trampoline de AXI sur des places publiques, comme des écoles et garderies d'enfants ;
- location de la trampoline de AXI à un tiers ;
- manque de contrôle régulier et, au besoin, remplacement des composants, vis et raccords.

PLAN DE LEÇONS

Les leçons suivantes sont recommandées afin d'apprendre les pas et les rebonds de base avant de passer à des rebonds plus difficiles et plus compliqués. Vous devez lire et comprendre toutes les consignes de sécurité avant de monter sur le trampoline. Une discussion et une démonstration complètes de la mécanique corporelle et des consignes du trampoline doivent avoir lieu entre le surveillant et l'élève.

Leçon 1

- A. Monter et descendre du trampoline - Démonstration des bonnes techniques.
- B. Le rebond de base - Démonstration et pratique
- C. Freiner (vérifier le rebond) - Démonstration et pratique. Apprenez à freiner sur commande.
- D. Mains et genoux - Démonstration et pratique. L'accent doit être mis sur la réception et l'alignement en quatre points.

Leçon 2

- A. Révision et pratique des techniques apprises dans la leçon 1
- B. Rebond sur les genoux - Démonstration et pratique. Apprenez la technique de base du rebond droit sur les genoux et de la remontée avant d'essayer la demi-ville à gauche et à droite.
- C. Rebond assis - Démonstration et pratique. Apprenez le rebond assis de base, puis ajoutez un rebond sur les genoux, les mains et les genoux ; répétez.

Leçon 3

- A. Réviser et mettez en pratique les compétences et les techniques apprises dans les leçons précédentes.
- B. Chute avant - Tous les élèves doivent se mettre en position couchée (face au sol) pendant que l'instructeur vérifie qu'il n'y a pas de mauvaises positions qui pourraient causer des blessures.
- C. Commencer par un rebond à quatre pattes, puis étendre le corps en position couchée, atterrir sur le tapis et revenir sur ses pieds.
- D. Routine d'entraînement : rebond des mains et des genoux, rebond avant, retour aux pieds, rebond assis, retour sur les pieds.

Leçon 4

- A. Révision et mise en pratique des compétences et techniques apprises dans les leçons précédentes.
- B. Demi-tour
 1. Commencez par la position de chute avant. Lorsque vous entrez en contact avec le tapis, poussez les bras vers la droite ou la gauche et tournez la tête et les épaules dans la même direction.
 2. Pendant le tour, assurez-vous de garder le dos parallèle au tapis et la tête droite.
 3. Après avoir terminé le tour, atterrir en position de chute avant.

Après avoir terminé cette leçon, l'élève a maintenant une compréhension de base des rebonds sur trampoline. Les sauteurs doivent être encouragés à développer leurs propres routines en mettant l'accent sur le contrôle et la forme.

Un jeu qui peut être joué afin d'encourager les élèves à essayer de développer des routines est le suivant : "BOUNCE". Dans ce jeu, les joueurs comptent de 1 à 10. Le joueur un commence par une manœuvre. Le joueur deux doit faire la manœuvre du joueur un et en ajouter une autre. Le joueur trois fait les manœuvres du un et du deux puis ajoute une troisième manœuvre. Cela continue jusqu'à ce qu'un joueur ne puisse pas faire la routine correctement dans la bonne séquence. La première personne qui rate, reçoit la lettre "B". Cela continue jusqu'à ce que quelqu'un épelle le mot "BOUNCE". Le dernier concurrent restant est considéré comme le gagnant ! Même en jouant à ce jeu, il est important d'exécuter vos routines sous contrôle. N'essayez pas de faire des rebonds difficiles ou hautement qualifiés que vous ne maîtrisez pas encore.

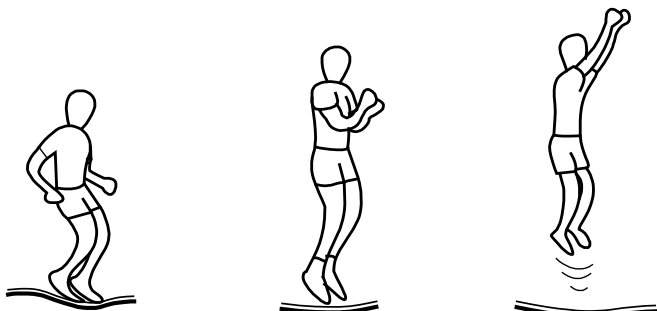
Il convient de contacter un instructeur de trampoline certifié pour développer davantage vos compétences en trampoline..

TRAMPOLINE & ENCLOSURE COMBO



LES REBONDS DE BASE DU TRAMPOLINE

LE REBOND DE BASE



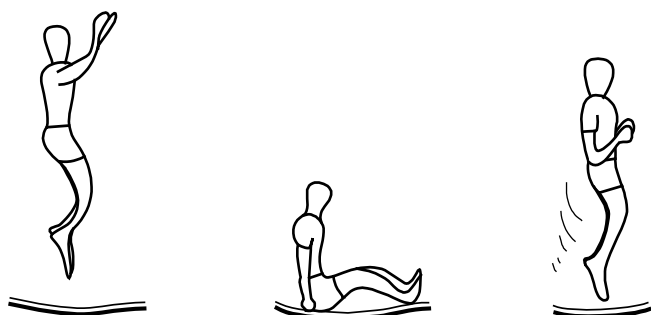
1. Commencez en position debout, les pieds écartés de la largeur des épaules, la tête droite et les yeux sur le tapis.
2. Balancez les bras vers l'avant, vers le haut et autour dans un mouvement circulaire.
3. Rapprocher les pieds en l'air et pointer les orteils vers le bas.
4. Garder les pieds écartés de la largeur des épaules lors de l'atterrissage sur le tapis.

LE REBOND SUR LES GENOUX



1. Commencer par un rebondissement de base et le garder bas
2. Atterrir sur les genoux en gardant le dos droit et le corps droit. Utiliser les bras pour maintenir l'équilibre.
3. Rebondir en position de base en levant les bras.

LE REBOND ASSIS



1. Atterrir en position assise.
2. Placer les mains sur le tapis à côté des hanches.
3. Revenir à la position droite en poussant avec les mains.

LE REBOND À 180 DEGRÉS



1. Commencez par un rebond avant
2. Poussez avec la main et le bras gauche ou droit (selon le sens dans lequel vous souhaitez tourner).
3. Maintenir la tête et les épaules dans la même direction, le dos parallèle au tapis et la tête haute.
4. Atterrir en position couchée et revenir à la position debout en poussant vers le haut avec les mains et les bras.



PELIGRO DE ASFIXIA

Piezas pequeñas. No adecuado para menores de 36 meses.

EL PRODUCTO DEBE SER MONTADO POR UN ADULTO

Descripción de posible peligro, p. ej.: El producto desmontado contiene posibles puntos afilados, así que debe mantenerse fuera del alcance del bebé

Sólo para uso doméstico. Conservar para futuras consultas.

- **DEBE LEER Y COMPRENDER COMPLETAMENTE LAS INSTRUCCIONES DE ESTE MANUAL ANTES DE MONTAR Y UTILIZAR ESTE TRAMPOLIN.**
- **GUARDE ESTE MANUAL PARA FUTURAS CONSULTAS.**
- **EL PESO MÁXIMO DEL USUARIO NO DEBE SUPERAR LOS 50 KG.**
- **LAAT NIET MEER DAN ÉÉN PERSOON TEGELIJK OP DE TRAMPOLINE.**
- **NO PERMITA QUE HAYA MÁS DE UNA PERSONA EN EL TRAMPOLÍN A LA VEZ.**
- **LA RED FORMA PARTE DE LA ESTRUCTURA DEL TRAMPOLÍN.**
- **EL TRAMPOLÍN NO PUEDE UTILIZARSE SIN LA RED COLOCADA.**
- **SÓLO PARA USO DOMÉSTICO EN EXTERIORES.**

ADVERTENCIA! MAX 50 KG

MONTAJE Y TRASLADO DE UNA CAMA ELÁSTICA

Seleccione un lugar en el que desea que el trampolín esté permanentemente antes del montaje.



MOVER EL TRAMPOLÍN

Si necesita mover la cama elástica, se necesitan dos o tres personas. Al moverla, levante la cama elástica ligeramente del suelo y manténgala en posición horizontal con respecto al suelo. Para cualquier otro tipo de movimiento, debe desmontar la cama elástica.



Le recomendamos encarecidamente que no utilice la cama elástica sin un cerramiento. Si encuentra que el trampolín está siendo usado sin un cerramiento, detenga al usuario e inmediatamente compre e instale el cerramiento. El espacio libre lateral es esencial. Coloque el trampolín lejos de paredes, estructuras, vallas y otras áreas de juego. Mantenga un espacio libre en todos los lados de la cama elástica.



No permita que los niños jueguen o salten en la cama elástica cuando haya viento o durante la temporada de tornados. El viento puede levantar esta cama elástica y causar lesiones graves o la muerte.

TRAMPOLINE & ENCLOSURE COMBO



INTRODUCCIÓN

Antes de comenzar a utilizar este trampolín, asegúrese de leer cuidadosamente toda la información proporcionada en este manual. Al igual que cualquier otro tipo de actividad física recreativa, los participantes pueden lesionarse. Para reducir el riesgo de lesiones, asegúrese de seguir las normas y consejos de seguridad adecuados.

- El mal uso y el abuso de este trampolín es peligroso y puede causar lesiones graves.
- Los trampolines, al ser dispositivos de rebote, impulsan al ejecutante a alturas desacostumbradas y a una variedad de movimientos corporales.
- Inspeccione siempre la cama elástica antes de cada uso para ver si hay alfombras desgastadas o piezas sueltas o que falten.
- En este manual se incluye el montaje correcto, el cuidado y el mantenimiento del producto, los consejos de seguridad, las advertencias y las técnicas adecuadas de salto y rebote. Todos los usuarios y supervisores deben leer y familiarizarse con estas instrucciones. Cualquier persona que decida utilizar este trampolín debe ser consciente de sus propias limitaciones en cuanto a la realización de diversos saltos y rebotes con este trampolín.



**NO HAY SALTOS MORTALES NI VOLTERETAS -
Puede producirse una parálisis o la muerte si
cae sobre la cabeza o el cuello.**



**No más de UN usuario a la vez (peso máximo - 50
kg).**

PARA Trampolín no enterrado:

CONSULTAR SIEMPRE A UN MÉDICO ANTES DE REALIZAR CUALQUIER TIPO DE ACTIVIDAD FÍSICA

- Advertencia. No apto para niños menores de 36 meses. Peligro de caída.
- Advertencia. La cama elástica debe ser montada por un adulto de acuerdo con las instrucciones de montaje y revisada antes de su primer uso.
- Advertencia. El peso máximo del usuario NO debe superar los 50 kg para este producto.
- Advertencia. Sólo un usuario. Peligro de colisión.
- Se requiere la supervisión de un adulto.
- Advertencia. Sólo para uso doméstico.
- Advertencia, sólo para uso en exteriores.
- Advertencia. No hay saltos mortales
- Advertencia. Cierre siempre la abertura de la red antes de saltar.
- Advertencia. Saltar sin zapatos.
- Advertencia. No utilice la alfombra cuando esté mojada.
- Advertencia. Vacíe los bolsillos y las manos antes de saltar.
- Advertencia, salta siempre en el centro de la alfombra.
- Advertencia. No coma mientras salta.
- Advertencia. No salga por un salto.
- Advertencia. Limite el tiempo de uso continuo (haga paradas regulares).
- Advertencia. No utilizar en condiciones de viento fuerte y asegurar la cama elástica.
- Advertencia. El trampolín no está destinado a ser enterrado en el suelo.
- Advertencia. La red debe sustituirse cada año.
- Tamaño de los espacios libres alrededor del trampolín: 2x2x8 metros
- Compruebe siempre su cama elástica antes de utilizarla. Preste especial atención a todos los pernos, a la posición de la alfombra de salto y de las almohadillas.
- No utilizar si falta alguna pieza o si parece que está desgastada.
- Deje de hacer ejercicio inmediatamente si se siente mal o si se siente mareado.
- El recinto de seguridad está ahí para evitar que el usuario se caiga de la cama elástica, y no se debe saltar sobre él innecesariamente.

Para el trampolín de tierra:

ADVERTENCIA!

- La instalación de la cama elástica requiere la excavación de un agujero en el suelo.
- Si no está seguro del trabajo de suelo, póngase en contacto con un profesional.
- El agujero no debe acumular agua (por lo que es necesario el drenaje) y debe poder limpiarse durante el mantenimiento.
- El trampolín está pensado para ser enterrado en el suelo.



INSTRUCCIONES DE SALTO

- Consulte y respete las instrucciones del ejercicio y mantenga siempre una posición biomecánica adecuada cuando utilice el aparato.
Tenga en cuenta los riesgos para la salud que puede provocar un entrenamiento incorrecto o intenso.
- Principios básicos y recomendaciones de uso
Aprende las posiciones básicas del cuerpo y los saltos antes de intentar técnicas más avanzadas. Puedes variar la rutina del trampolín realizando los saltos básicos en diferentes series o combinaciones, y con o sin saltos verticales entre los trucos.
- Para dejar de rebotar, dobla las rodillas cuando tus pies aterricen en la superficie de salto del trampolín.
- Aprende primero esta técnica antes de intentar cualquier otra.
- Evita rebotar demasiado alto.
- Límitate a dar pequeños botes hasta que puedas saltar y aterrizar en el centro de la cama elástica con un control perfecto.
- El control es más importante que la altura.
- No apartes nunca la vista de la cama elástica. Esto le ayudará a controlar sus rebotes.
- Evita rebotar en la cama elástica cuando estés cansado.
- Mantenga sus sesiones cortas
- Utilice el trampolín sólo si se encuentra en una excelente condición física.
- Para obtener información sobre el aprendizaje de técnicas y trucos adicionales, póngase en contacto con un instructor de trampolín profesional.
- Coloque el trampolín en una superficie nivelada a una distancia mínima de 2 m de cualquier estructura u obstáculo, como una valla, un garaje, una casa, ramas colgantes, tendederos o cables eléctricos.
- Las camas elásticas no se instalarán sobre hormigón, asfalto o cualquier otra superficie dura, ni cerca de otras instalaciones conflictivas (por ejemplo, piscinas infantiles, columpios, toboganes, estructuras de escalada).

MONTAGE-INSTRUCTIES & GEBRUIKSAANWIJZING

Para garantizar la seguridad del producto, preste atención a las instrucciones de montaje y ajuste, así como a las instrucciones de uso. Léalas atentamente y consérvelas para futuras consultas.

Instrucciones de montaje

Este producto requiere un montaje, por lo que le rogamos que siga cuidadosamente los pasos indicados en estas instrucciones (lista de piezas y herramientas suministradas, procedimiento de montaje, etc.).

INSTRUCCIONES IMPORTANTES PARA LA RED DE CERRAMIENTO Y LA ESTERA

1. Mantenimiento de la red del recinto de la cama elástica, la alfombra y la almohadilla

Las redes y los acolchados de los recintos son propensos al desgaste como los neumáticos de un coche. El material se deteriora gradualmente; la velocidad depende del nivel de exposición a los rayos UV, la contaminación atmosférica y las condiciones climáticas exteriores, como la lluvia y el viento.

La red y el acolchado deben ser mantenidos y revisados adecuadamente siguiendo el programa de mantenimiento establecido en estas instrucciones. Cuando el material muestre cualquier signo de debilidad, debe dejar de utilizar la cama elástica inmediatamente, almacenar adecuadamente la cama elástica y restringir el acceso de los usuarios hasta que se instale correctamente una nueva red o acolchado de sustitución.

2. Requisitos de mantenimiento de la red de cerramiento

La red de la cama elástica está fabricada con material resistente a los rayos UV. A pesar de ello, la red está expuesta a los elementos exteriores, como la luz del sol, el viento, la lluvia y la fauna. La red que rodea la cama elástica debe ser revisada antes de cada uso. Esto incluye, pero no se limita a inspeccionar la red en busca de grietas, desgaste excesivo, fragilidad y estiramiento. También inspeccione todas las conexiones y todo el recinto para comprobar la integridad general. La red debe ser reemplazada inmediatamente si muestra cualquier signo de desgaste, daño, estiramiento, agrietamiento, soltura, fragilidad u otras pérdidas de integridad. Debe seguirse el siguiente programa de mantenimiento:

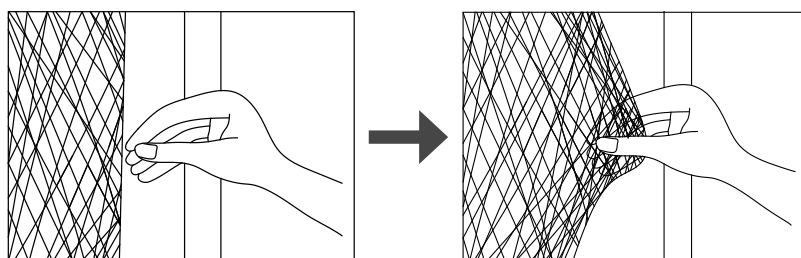
De 1 a 3 meses	De 3 a 6 meses	6 a 12 meses
Inspeccione el recinto (red, colgador de red y correas) antes de cada uso.	Inspección minuciosa de la red, el gancho de la red y las correas para detectar daños por rayos UV antes de cada uso.	Inspeccione a fondo antes de cada uso la red, el colgador de la red, las correas, las cremalleras, los lazos y las cuerdas. Reemplace después de 12 meses o antes si es necesario.

SE RECOMIENDA SUSTITUIR LA RED CADA AÑO EN CONDICIONES NORMALES DE USO, AUNQUE NO PRESENTE SIGNOS VISIBLES DE DETERIORO.

Cómo inspeccionar la red de la cama elástica para un uso adecuado

Antes de utilizar la cama elástica y el cerramiento, compruebe siempre que la red del cerramiento no presenta signos de daños por rayos UV, deterioro, fragilidad, grietas o desgarros.

Paso 1 - Inspeccione la red del recinto antes de cada uso para ver si está desgastada o rota, pellizcando y tirando de una sección de la red entre los dedos y tirando hacia abajo. Consulte el diagrama siguiente.



Si se produce cualquier desgarramiento o sonido de rotura o desgarramiento, entonces la red no es segura y DEBE ser retirada inmediatamente. **DEJE DE UTILIZAR EL RECINTO DE LA CAMA ELÁSTICA SI ENCUENTRA CUALQUIER SIGNO DE DESGASTE O DESGARRO EN LA RED.**

Paso 2 - Recorra todo el perímetro de la cama elástica para comprobar visualmente si hay deterioro del material u otros daños.

3. Requisitos de mantenimiento para la almohadilla de la cama elástica

Recorra todo el perímetro de la cama elástica para comprobar visualmente si hay deterioro del material, desgarramientos, flojedad, pérdida de elasticidad u otros daños en la almohadilla.

MANTENIMIENTO

Es necesario realizar las comprobaciones y el mantenimiento de las partes principales (armazón, sistema de suspensión, cama, acolchado y cerramiento) a intervalos regulares, señalando que si no se realizan estas comprobaciones, la cama elástica podría resultar peligrosa.

- Compruebe el apriete de todos los tornillos y tuercas y apriételos cuando sea necesario.
- Compruebe que los muelles están intactos y no pueden desengancharse al saltar.
- Compruebe que la almohadilla protectora circular cubre el muelle.
- Compruebe la cuerda utilizada para asegurar la red. Peligro de asfixia.
- Compruebe que todos los revestimientos no tengan pernos ni bordes afilados y sustitúyalos cuando sea necesario
- Compruebe que la red, la lona de la cama elástica y todos los elementos de protección están en buen estado y son capaces de soportar el peso del usuario. El sol, la lluvia, la nieve y las temperaturas extremas pueden reducir la vida útil de los componentes de la cama elástica. Sustitúyalos, si es necesario.
- En condiciones de viento fuerte, las camas elásticas de exterior deberán estar equipadas con un dispositivo para evitar el desplazamiento debido al viento (por ejemplo, barras de acero en el suelo o cargas como sacos de arena o de agua).
- En condiciones de viento fuerte, deben retirarse los elementos que atrapan el viento, como la red y la estera.
- En algunos países, durante el periodo invernal, la carga de nieve y la temperatura muy baja pueden dañar la cama elástica. Se recomienda retirar la nieve y guardar la colchoneta y el recinto en el interior.
- Compruebe que la alfombra, el acolchado y el cerramiento no tienen defectos. La luz del sol, la lluvia, la nieve y las temperaturas extremas reducen la resistencia de estas piezas con el tiempo.
- Asegúrese de que los cierres de gancho y bucle están correctamente cerrados durante el uso de la cama elástica.
- Sustituya la red, la cama elástica y los elementos de protección cada 1 año.
- Las piezas defectuosas deben ser sustituidas de acuerdo con las instrucciones del fabricante.
- Conserve las instrucciones de mantenimiento
- Para saber cómo contactar con el equipo de servicio postventa, consulte la última página de la guía del usuario.

MUDANZAS Y TRANSPORTES

Se requiere un mínimo de 2 personas para mover el trampolín. Colóquense alrededor del trampolín, levanten suavemente la estructura y muévanla al lugar deseado.

La cama elástica debe desmontarse completamente si se transporta en coche. En una distancia mayor. Compruebe las instrucciones de montaje y siga cada paso, empezando por el final. El desmontaje de los muelles es una operación delicada que sólo debe realizarse con la herramienta suministrada,

GARANTÍA

Después de la fecha de la factura de compra, el propietario de la cama elástica AXI tiene una:

- 2 años de garantía sobre la rotura de la estructura
- 1 años de garantía sobre los muelles
- 1 años de garantía sobre la almohadilla de protección y la alfombra de salto.
- 1 años de garantía sobre la rotura de la red

AXI se reserva el derecho de no conceder la garantía si

- no se puede presentar el recibo de compra original;
- el trampolín AXI se utiliza para fines distintos a los que fue diseñado;
- se utiliza un método de montaje distinto al indicado
- las reparaciones técnicas se han llevado a cabo de forma poco profesional;
- la cama elástica AXI se utiliza en lugares públicos como escuelas y guarderías
- el trampolín AXI se alquila a terceros;
- se ha omitido el control periódico y, en su caso, la sustitución de piezas, tornillos y juntas.



PLAN DE LECCIÓN

Las siguientes lecciones se recomiendan para aprender los pasos y rebotes básicos antes de pasar a rebotes más difíciles y complicados. Debe leer y comprender todas las instrucciones de seguridad antes de montar el trampolín. Una completa discusión y demostración de la mecánica del cuerpo y de las directrices del trampolín debe ocurrir entre el supervisor y el estudiante.

Lección 1

- A. Montaje y desmontaje - Demostración de las técnicas adecuadas
- B. El rebote básico-Demostración y práctica
- C. Frenar (comprobar el rebote) - Demostración y práctica. Aprender a frenar a la orden
- D. Manos y rodillas - Demostración y práctica. Se debe hacer hincapié en el aterrizaje en cuatro puntos y en la alineación

Lección 2

- A. Repaso y práctica de las técnicas aprendidas en la lección 1
- B. Rebote de rodilla-Demostración y práctica. Aprender el movimiento básico de bajar a la rodilla y volver a subir antes de intentar el medio giro a la izquierda y a la derecha.
- C. Rebote en el asiento - Demostración y práctica. Aprender el rebote de asiento básico y luego añadir un rebote de rodilla, manos y rodillas; repetir

Lección 3

- A. Repasar y practicar las habilidades y técnicas aprendidas en las lecciones anteriores
- B. Caída frontal: se debe pedir a todos los alumnos que adopten la posición de decúbito prono (boca abajo en el suelo) mientras el instructor comprueba si hay posiciones defectuosas que puedan causar lesiones
- C. Comenzar con un rebote de manos y rodillas y luego extender el cuerpo en posición prona, aterrizar en la colchoneta y volver a los pies
- D. Rutina de práctica: rebote de manos y rodillas, rebote frontal, vuelta a los pies, rebote de asiento, vuelta a los pies

Lección 4

- A. Repasar y practicar las habilidades y técnicas aprendidas en las lecciones anteriores
- B. Media vuelta
 1. Comienza desde la posición de caída frontal. Al hacer contacto con la colchoneta, empuje con los brazos en la dirección derecha o izquierda y gire la cabeza y los hombros en la misma dirección.
 2. Durante el giro, asegúrese de mantener la espalda paralela a la colchoneta y la cabeza levantada.
 3. Después de completar el giro, aterrizar en posición de caída frontal

Después de completar esta lección, el alumno tiene ahora una comprensión básica de los rebotes en el trampolín. Los saltadores deben ser alentados a desarrollar sus propias rutinas con énfasis en el control y la forma.

Un juego que se puede realizar para animar a los alumnos a intentar desarrollar rutinas es "BOUNCE". En este juego, los jugadores cuentan del 1 al 10. El jugador uno comienza con una maniobra. El jugador dos tiene que hacer la maniobra del jugador uno y añadir otra. El jugador tres hace las maniobras de uno y dos y luego añade una tercera maniobra. Esto continúa hasta que un jugador no puede hacer la rutina correctamente en la secuencia correcta. La primera persona que falle, recibe la letra "B". Esto continúa hasta que alguien deletrea la palabra "BOUNCE". El último concursante que queda es considerado el ganador. Incluso cuando se juega a este juego, es importante realizar las rutinas bajo control. No intentes hacer rebotes difíciles o muy hábiles que aún no domines.

Se debe contactar con un instructor de trampolín certificado para seguir desarrollando sus habilidades en el trampolín.

TRAMPOLINE & ENCLOSURE COMBO



REBOTES BÁSICOS EN LA CAMA ELÁSTICA

EL REBOTE BÁSICO



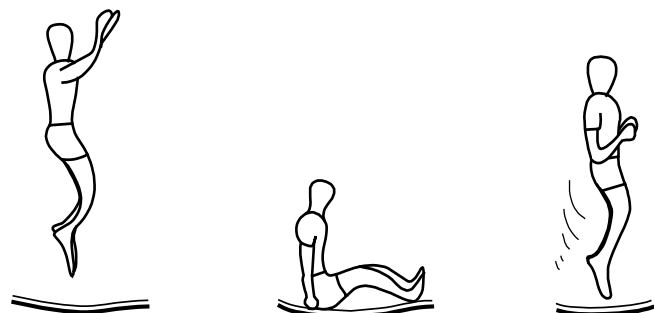
1. Comienza en posición de pie, con los pies separados a la anchura de los hombros, la cabeza levantada y los ojos en la colchoneta
2. Mueve los brazos hacia adelante, hacia arriba y alrededor en un movimiento circular.
3. Juntar los pies en el aire y apuntar los dedos hacia abajo
4. Mantenga los pies separados a la anchura de los hombros cuando aterrice en la colchoneta.

SALTO DE RODILLA



1. Empieza con un rebote básico y mantenlo bajo
2. Aterrice sobre las rodillas manteniendo la espalda recta, el cuerpo erguido. Utilice los brazos para mantener el equilibrio.
3. Vuelve a la posición básica de rebote balanceando los brazos hacia arriba

ASIENTO BOUNCE



1. Aterrice en posición sentada y plana.
2. Colocar las manos en la colchoneta junto a las caderas
3. Vuelva a la posición erecta empujando con las manos.

180 GRADO BOUNCE



1. Comienza con la posición de rebote frontal
2. Empuje con las manos y los brazos izquierdos o derechos (dependiendo de la dirección en la que desee girar)
3. Mantener la cabeza y los hombros en la misma dirección y mantener la espalda paralela a la colchoneta y la cabeza levantada
4. Aterrizar en posición prona y volver a la posición de pie empujando hacia arriba con las manos y los brazos



PERICOLO DI SOFFOCAMENTO

Componenti di piccole dimensioni. Non adatto per bambini di età inferiore a 36 mesi.

IL GIOCATTOLO DEVE ESSERE MONTATO DA UN ADULTO.

Descrizione dei rischi potenziali, ad es. in condizioni smontate contiene parti acuminatae potenzialmente pericolose; tenere quindi fuori dalla portata del bambino.

Esclusivamente per uso domestico.

Conservare per riferimento futuro.

- **PRIMA DI MONTARE E UTILIZZARE QUESTO TRAMPOLINO, È NECESSARIO LEGGERE**
- **ATTENTAMENTE E COMPRENDERE LE ISTRUZIONI DI QUESTO MANUALE.**
- **CONSERVARE QUESTO MANUALE PER RIFERIMENTO FUTURO.**
- **IL PESO MASSIMO DELL'UTENTE NON DEVE SUPERARE LE 110 LIBBRE (50 KG).**
- **NON PERMETTERE A PIÙ DI UNA PERSONA ALLA VOLTA DI SALIRE SUL TRAMPOLINO.**
- **NON PERMETTERE L'USO AI BAMBINI PICCOLI SENZA LA SUPERVISIONE DI UN ADULTO.**
- **IL RECINTO FA PARTE DELL'INTEGRITÀ STRUTTURALE DEL TRAMPOLINO. IL**
- **TRAMPOLINO NON DEVE ESSERE USATO SENZA IL RECINTO MONTATO.**
- **SOLO PER USO DOMESTICO ESTERNO**

ATTENZIONE! MAX 50 KG

MONTAGGIO E SPOSTAMENTO DEL TRAMPOLINO

Selezionare una posizione in cui si vuole il trampolino in modo permanente prima del montaggio.



SPOSTARE IL TRAMPOLINO

Se è necessario spostare il trampolino, sono necessarie due o tre persone. Durante lo spostamento, sollevate il trampolino leggermente da terra e mantenetelo orizzontale al suolo. Per qualsiasi altro tipo di spostamento, è necessario smontare il trampolino.



Si consiglia vivamente di non utilizzare il trampolino senza un recinto. Se si scopre che il trampolino viene utilizzato senza copertura, fermare l'utente e acquistare e installare immediatamente la copertura. Lo spazio laterale è essenziale. Posizionare il trampolino lontano da muri, strutture, recinzioni e altre aree di gioco. Mantenere uno spazio libero su tutti i lati del trampolino.



Non permettere ai bambini di giocare o saltare sul trampolino quando c'è vento o durante la stagione dei tornado. Il vento può sollevare questo trampolino e causare gravi lesioni o la morte.



INTRODUZIONE

Prima di iniziare ad usare questo trampolino, assicuratevi di leggere attentamente tutte le informazioni fornite in questo manuale. Proprio come qualsiasi altro tipo di attività fisica ricreativa, i partecipanti possono farsi male. Per ridurre il rischio di lesioni, assicuratevi di seguire le regole e i consigli di sicurezza appropriati.

- L'uso improprio e l'abuso di questo trampolino è pericoloso e può causare gravi lesioni!
- I trampolini, essendo dispositivi di rimbalzo, spingono il performer ad altezze non abituali e in una varietà di movimenti del corpo.
- Ispezionare sempre il trampolino prima di ogni utilizzo per verificare la presenza di tappetini usurati, parti allentate o mancanti.
- Il montaggio corretto, la cura e la manutenzione del prodotto, i consigli di sicurezza, le avvertenze e le tecniche corrette per saltare e rimbalzare sono tutti inclusi in questo manuale. Tutti gli utenti e i supervisori devono leggere e familiarizzare con queste istruzioni. Chiunque scelga di usare questo trampolino deve essere consapevole dei propri limiti per quanto riguarda l'esecuzione di vari salti e rimbalzi con questo trampolino.



NIENTE CAPRIOLE O SALTII MORTALI - Si può arrivare alla paralisi o alla morte se si atterra sulla testa o sul collo!



Non più di UN utente alla volta (peso massimo - 50 kg).

PER Trampolino non interrato:

CONSULTARE SEMPRE UN MEDICO PRIMA DI ESEGUIRE QUALSIASI TIPO DI ATTIVITÀ FISICA

- Attenzione. Non adatto a bambini sotto i 36 mesi. Pericolo di caduta.
- Attenzione. Il trampolino deve essere montato da un adulto secondo le istruzioni di montaggio e controllato prima del primo utilizzo.
- Attenzione. Il peso massimo dell'utente NON deve superare i 50 kg per questo prodotto.
- Attenzione. Un solo utente. Pericolo di collisione.
- È richiesta la supervisione di un adulto.
- Attenzione. Solo per uso domestico.
- Attenzione, solo per uso esterno.
- Attenzione. Niente salti mortali
- Attenzione. Chiudere sempre l'apertura della rete prima di saltare.
- Attenzione. Salta senza scarpe.
- Attenzione. Non utilizzare il tappetino quando è bagnato.
- Attenzione. Svuotare le tasche e le mani prima di saltare.
- Attenzione, saltare sempre al centro del tappeto.
- Attenzione. Non mangiare mentre si salta.
- Attenzione. Non uscire con un salto.
- Attenzione. Limitare il tempo di utilizzo continuo (fare fermate regolari).
- Attenzione. Non utilizzare in condizioni di forte vento e fissare il trampolino.
- Attenzione. Il trampolino non è destinato ad essere interrato.
- Attenzione. La rete deve essere sostituita ogni anno.
- Dimensione degli spazi liberi intorno al trampolino: 2x2x8 metri
- Controllare sempre il trampolino prima dell'uso. Prestare particolare attenzione a tutti i bulloni, al tappeto da salto e alla posizione dei cuscinetti.
- Non usare se alcune parti mancano o sembrano mostrare segni di usura.
- Smettete immediatamente di esercitarvi se non vi sentite bene o se avete le vertigini.
- Il recinto di sicurezza è lì per evitare che l'utente cada dal trampolino, e non deve essere saltato inutilmente.

PER Trampolino da terra:

ATTENZIONE !

- L'installazione del trampolino richiede una buca da scavare nel terreno.
- Se non siete sicuri del lavoro di terra, contattate un professionista.
- Il foro non deve accumulare acqua (quindi il drenaggio è necessario) e deve poter essere pulito durante la manutenzione.
- Il trampolino è destinato ad essere interrato.

ISTRUZIONI PER IL SALTO

- Fare riferimento e rispettare le istruzioni di esercizio e mantenere sempre assolutamente una posizione biomeccanica corretta quando si utilizza l'apparecchio.
Si prega di essere consapevoli dei rischi per la salute che un allenamento scorretto o intensivo può causare.
- Principi di base e raccomandazioni per l'uso
Imparare le posizioni di base del corpo e i salti prima di tentare tecniche più avanzate. È possibile variare la routine del trampolino eseguendo i salti di base in diverse serie o combinazioni, e con o senza salti verticali tra i trucchi.
- Per smettere di rimbalzare, piegate le ginocchia quando i vostri piedi atterrano sulla superficie di salto del trampolino.
- Imparate questa tecnica prima di tentare qualsiasi altra.
- Evitare di rimbalzare troppo in alto.
- Atteniti a piccoli rimbalzi finché non riesci a saltare e ad atterrare al centro del trampolino con un controllo perfetto.
- Il controllo è più importante dell'altezza.
- Non distogliere mai lo sguardo dal trampolino. Questo vi aiuterà a controllare i vostri rimbalzi.
- Evitare di rimbalzare sul trampolino quando si è stanchi.
- Mantenere le sessioni brevi
- Utilizzare il trampolino solo se si è in ottime condizioni fisiche.
- Per informazioni sull'apprendimento di ulteriori tecniche e trucchi, contattate un istruttore di trampolino professionale.
- Posizionare il trampolino su una superficie piana ad almeno 2 m da qualsiasi struttura o ostacolo come una recinzione, un garage, una casa, rami sporgenti, linee di lavanderia o fili elettrici.
- I trampolini non devono essere installati sopra il cemento, l'asfalto o qualsiasi altra superficie dura, né in prossimità di altre installazioni conflittuali (ad esempio piscine per bambini, altalene, scivoli, strutture per arrampicarsi).

ISTRUZIONI DI MONTAGGIO E ISTRUZIONI PER L'USO

Per garantire la sicurezza del prodotto, osservare le istruzioni di montaggio e regolazione e le istruzioni per l'uso. Si prega di leggere attentamente e conservare per riferimento futuro.

Istruzioni per il montaggio

Questo prodotto richiede il montaggio, assicuratevi di seguire attentamente i passi indicati in queste istruzioni (elenchi di parti e strumenti forniti, procedura di montaggio ecc.)

ISTRUZIONI IMPORTANTI PER LA RETE E IL TAPPETINO DEL RECINTO

1. Manutenzione della rete del recinto del trampolino, del tappetino e del pad

Le reti e le imbottiture dei recinti sono soggette a usura come i pneumatici di un'auto. Si verificherà un deterioramento graduale del materiale, la cui velocità dipenderà dal livello di esposizione ai raggi UV, all'inquinamento dell'aria e alle condizioni atmosferiche esterne come la pioggia e il vento.

La rete e l'imbottitura devono essere adeguatamente mantenute e controllate seguendo il programma di manutenzione esposto in queste istruzioni. Quando il materiale mostra segni di debolezza, è necessario interrompere immediatamente l'uso del trampolino, riporre adeguatamente il trampolino e limitare l'accesso da parte degli utenti fino a quando una nuova rete o imbottitura sostitutiva viene installata correttamente.

2. Requisiti di manutenzione per la rete di protezione

La rete del vostro recinto per trampolino è fabbricata con materiale resistente ai raggi UV. Nonostante ciò, la rete è esposta agli elementi esterni tra cui la luce del sole, il vento, la pioggia e gli animali selvatici. La rete che circonda il trampolino deve essere controllata prima di ogni utilizzo. Questo include, ma non si limita a ispezionare la rete per crepe, usura eccessiva, fragilità e stiramento. Ispezionare anche tutte le connessioni e l'intero recinto per l'integrità generale. La rete deve essere immediatamente sostituita se mostra segni di usura, danni, stiramenti, crepe, allentamenti, fragilità o altre perdite di integrità. Il seguente programma di manutenzione deve essere seguito:

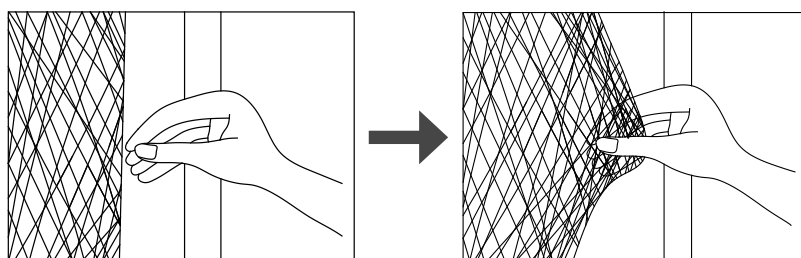
Da 1 a 3 mesi	Da 3 a 6 mesi	Da 6 a 12 mesi
Ispezionare la copertura (rete, gancio della rete e cinghie) prima di ogni utilizzo.	Ispezione accurata per i danni UV e prima di ogni utilizzo per la rete, il gancio della rete e le cinghie.	Ispezione accurata prima di ogni utilizzo di rete, gancio per rete, cinghie, cerniere, lacci e corde. Sostituire dopo 12 mesi o prima se necessario.

SI RACCOMANDA DI SOSTITUIRE LA RETE OGNI ANNO IN CONDIZIONI DI USO NORMALE, ANCHE SE NON PRESENTA SEGNI VISIBILI DI DANNI.

Come ispezionare la rete del trampolino per un uso corretto

Controllare sempre che la rete del recinto non abbia segni di danni UV, deterioramento, fragilità, crepe e strappi ogni volta prima di usare il trampolino e il recinto.

Fase 1 - Ispezionare la rete del recinto prima di OGNI uso per l'usura o lo strappo pizzicando e tirando una sezione della rete tra le dita e tirando verso il basso. Si prega di vedere il diagramma qui sotto.



Se produce qualsiasi strappo o crepa o suono di strappo, allora la rete non è sicura e DEVE essere rimossa immediatamente. **SMETTERE DI USARE IL RECINTO DEL TRAMPOLINO SE SI TROVANO SEGNI DI USURA O STRAPPI SULLA RETE.**

Passo 2 - Camminare intorno a tutto il perimetro del trampolino per controllare visivamente il deterioramento del materiale o altri danni.

3. Requisito di manutenzione per il pad del trampolino

Cammina intorno a tutto il perimetro del trampolino per controllare visivamente il deterioramento del materiale, strappi, allentamenti, perdita di elasticità o altri danni nel pad.

TRAMPOLINE & ENCLOSURE COMBO



MANUTENZIONE

È necessario effettuare controlli e manutenzione delle parti principali (telaio, sistema di sospensione, letto, imbottitura e copertura) a intervalli regolari, sottolineando che se questi controlli non vengono effettuati, il trampolino potrebbe diventare pericoloso.

- Controllare che tutti i dadi e i bulloni siano ben stretti e stringerli quando necessario.
- Controllare che le molle siano intatte e che non possano sganciarsi quando si salta.
- Controllare che il cuscinetto protettivo circolare copra la molla.
- Controllare la corda usata per fissare la rete. Pericolo di soffocamento.
- Controllare tutti i rivestimenti per i bulloni e i bordi taglienti e sostituirli quando necessario
- Controllare che la rete, il tappeto del trampolino e tutti gli elementi di protezione siano in buone condizioni e in grado di sostenere il peso dell'utente. Il sole, la pioggia, la neve e le temperature estreme possono ridurre la durata dei componenti del trampolino. Sostituirli, se necessario.
- In condizioni di vento forte, i trampolini all'aperto devono essere dotati di un dispositivo per evitare lo spostamento dovuto al vento (ad esempio barre d'acciaio nel terreno o carichi come sacchi di sabbia o d'acqua).
- In condizioni di vento forte, gli oggetti che catturano il vento come la rete e la stuoia dovrebbero essere rimossi.
- In alcuni paesi durante il periodo invernale, il carico di neve e la temperatura molto bassa possono danneggiare il trampolino. Si raccomanda di rimuovere la neve e conservare il tappeto e il recinto al coperto.
- Controllare che il tappetino, l'imbottitura e la copertura siano senza difetti. La luce del sole, la pioggia, la neve e le temperature estreme riducono la resistenza di queste parti nel tempo.
- Assicursi che le chiusure a strappo siano chiuse correttamente durante l'uso del trampolino.
- Sostituire la rete, il trampolino e gli elementi di protezione ogni 1 anno.
- Le parti difettose devono essere sostituite secondo le istruzioni del produttore.
- Conservare le istruzioni di manutenzione
- Per i dettagli su come contattare il team del servizio post-vendita, si prega di consultare l'ultima pagina della guida utente.

TRASLOCO E TRASPORTO

È necessario un minimo di 2 persone per spostare il trampolino. Posionatevi intorno al trampolino, sollevate delicatamente la struttura e spostatela nella posizione desiderata.

Il trampolino deve essere completamente smontato se trasportato in auto. Su una distanza maggiore. Controllare le istruzioni di montaggio e seguire ogni passo, partendo dalla fine. La rimozione delle molle è un'operazione delicata che deve essere effettuata solo con l'attrezzo fornito,

GARANZIA

Dopo la data della fattura di acquisto, il proprietario del trampolino AXI ha:

- 2 anni di garanzia contro la rottura del telaio
- 1 anni di garanzia sulle molle
- 1 anni di garanzia sull'imbottitura protettiva e sul tappeto di salto
- 1 anni di garanzia contro la lacerazione della rete

AXI si riserva il diritto di non fornire una garanzia se:

- non può essere presentato uno scontrino originale;
- il trampolino AXI viene utilizzato per scopi diversi da quelli per cui è stato progettato;
- viene utilizzato un metodo di montaggio diverso da quello indicato;
- le riparazioni tecniche sono state effettuate in modo non professionale;
- il trampolino AXI è utilizzato in luoghi pubblici come scuole e asili;
- il trampolino AXI è affittato a terzi;
- è stato omesso il controllo regolare ed eventualmente la sostituzione di parti, viti e giunti.

PIANO DI LEZIONE

Le seguenti lezioni sono raccomandate per imparare i passi e i rimbalzi di base prima di passare a rimbalzi più difficili e complicati. È necessario leggere e comprendere tutte le istruzioni di sicurezza prima di montare il trampolino. Una completa discussione e dimostrazione della meccanica del corpo e delle linee guida del trampolino dovrebbe avvenire tra il supervisore e lo studente.

Lezione 1

- A. Montaggio e smontaggio - Dimostrazione delle tecniche corrette
- B. Il rimbalzo di base - Dimostrazione e pratica
- C. Frenare (Controllare il rimbalzo) - Dimostrazione e pratica. Imparare a frenare a comando
- D. Mani e ginocchia - Dimostrazione e pratica. L'accento dovrebbe essere posto sull'atterraggio a quattro punti e sull'allineamento

Lezione 2

- A. Ripasso e pratica delle tecniche apprese nella Lezione 1
- B. Rimbalzo del ginocchio - Dimostrazione e pratica. Imparare la base giù al ginocchio e indietro prima di provare il mezzo giro a sinistra e a destra
- C. Rimbalzo del sedile - Dimostrazione e pratica. Imparare il rimbalzo del sedile di base, poi aggiungere un rimbalzo del ginocchio, mani e ginocchia; ripetere

Lezione 3

- A. Rivedere e praticare le abilità e le tecniche apprese nelle lezioni precedenti
- B. Front Drop - A tutti gli studenti dovrebbe essere richiesto di assumere la posizione prona (faccia a terra) mentre l'istruttore controlla le posizioni errate che potrebbero causare lesioni
- C. Iniziare con un rimbalzo mani e ginocchia e poi estendere il corpo in posizione prona, atterrare sul tappeto e tornare in piedi
- D. Pratica Routine-Mani e ginocchia Rimbalzo, rimbalzo frontale, ritorno ai piedi, rimbalzo del sedile, ritorno ai piedi

Lezione 4

- A. Rivedere e praticare le abilità e le tecniche apprese nelle lezioni precedenti
- B. Mezzo giro
 - 1. Iniziare dalla posizione di caduta frontale. Quando prendi contatto con il tappeto, spingi con le braccia in direzione destra o sinistra e gira la testa e le spalle nella stessa direzione.
 - 2. Durante il giro, assicurati di mantenere la schiena parallela al tappeto e la testa in alto.
 - 3. Dopo aver completato la virata, atterrare in posizione di caduta anteriore

Dopo aver completato questa lezione, lo studente ha ora una comprensione di base dei rimbalzi del trampolino. I saltatori dovrebbero essere incoraggiati a sviluppare le proprie routine con enfasi sul controllo e sulla forma.

Un gioco che può essere fatto per incoraggiare gli studenti a cercare di sviluppare delle routine è "BOUNCE". In questo gioco, i giocatori contano da 1 a 10. Il giocatore uno inizia con una manovra. Il giocatore due deve fare la manovra del giocatore uno e aggiungerne un'altra. Il giocatore tre fa le manovre di uno e due e poi aggiunge una terza manovra. Questo continua fino a quando un giocatore non riesce a fare la routine correttamente nella sequenza corretta. La prima persona che sbaglia riceve la lettera "B". Questo continua fino a quando qualcuno scrive la parola "BOUNCE". L'ultimo concorrente rimasto è considerato il vincitore! Anche quando si gioca a questo gioco, è importante eseguire le routine sotto controllo. Non tentare rimbalzi difficili o altamente qualificati che non hai ancora imparato a fare.

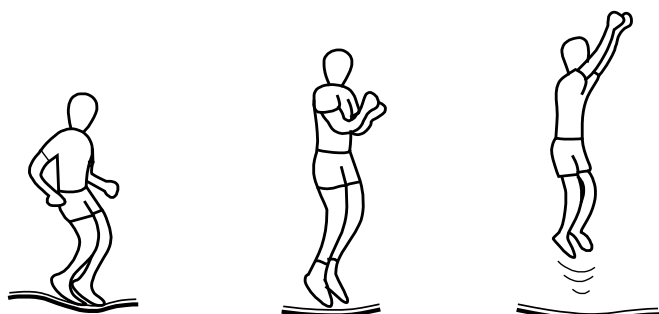
Un istruttore di trampolino certificato dovrebbe essere contattato per sviluppare ulteriormente le tue capacità di trampolino.

TRAMPOLINE & ENCLOSURE COMBO



RIMBALZI DI BASE DEL TRAMPOLINO

IL RIMBALZO DI BASE



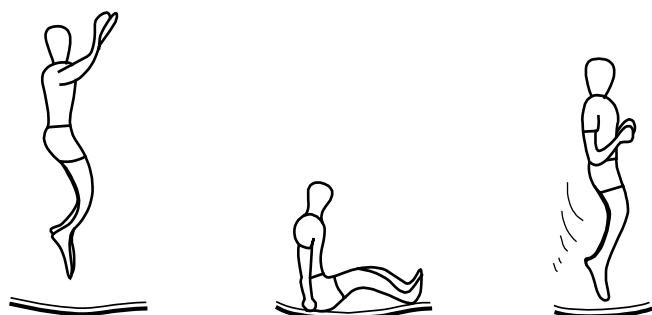
1. Iniziare dalla posizione in piedi, con i piedi alla larghezza delle spalle, la testa in alto e gli occhi sul tappeto
2. Oscillare le braccia in avanti, in alto e intorno in un movimento circolare.
3. Unire i piedi a mezz'aria e puntare le dita dei piedi verso il basso
4. Tenere i piedi alla larghezza delle spalle quando si atterra sul tappeto.

BOUNCE DEL GINOCCHIO



1. Iniziare con il rimbalzo di base e tenerlo basso
2. Atterrare sulle ginocchia mantenendo la schiena dritta e il corpo eretto. Usare le braccia per mantenere l'equilibrio.
3. Rimbalzare alla posizione di base di rimbalzo facendo oscillare le braccia verso l'alto

BOZZA DI SEDIA



1. Atterrate in una posizione seduta piatta.
2. Mettere le mani sul tappetino accanto ai fianchi
3. Ritornare alla posizione eretta spingendo con le mani.

180 BOUCHETTO DI DEGRADO

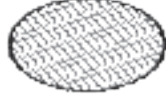




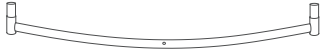
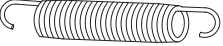



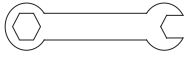




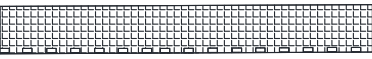



1. Iniziare con la posizione di rimbalzo anteriore
2. Spingere con le mani e le braccia sinistre o destre (a seconda della direzione in cui si vuole girare)
3. Mantenere la testa e le spalle nella stessa direzione e mantenere la schiena parallela al tappeto e la testa in alto
4. Atterrare in posizione prona e tornare in posizione eretta spingendo verso l'alto con mani e braccia

TRAMPOLINE & ENCLOSURE COMBO




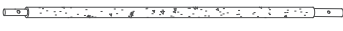

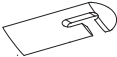



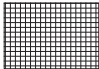
PARTS

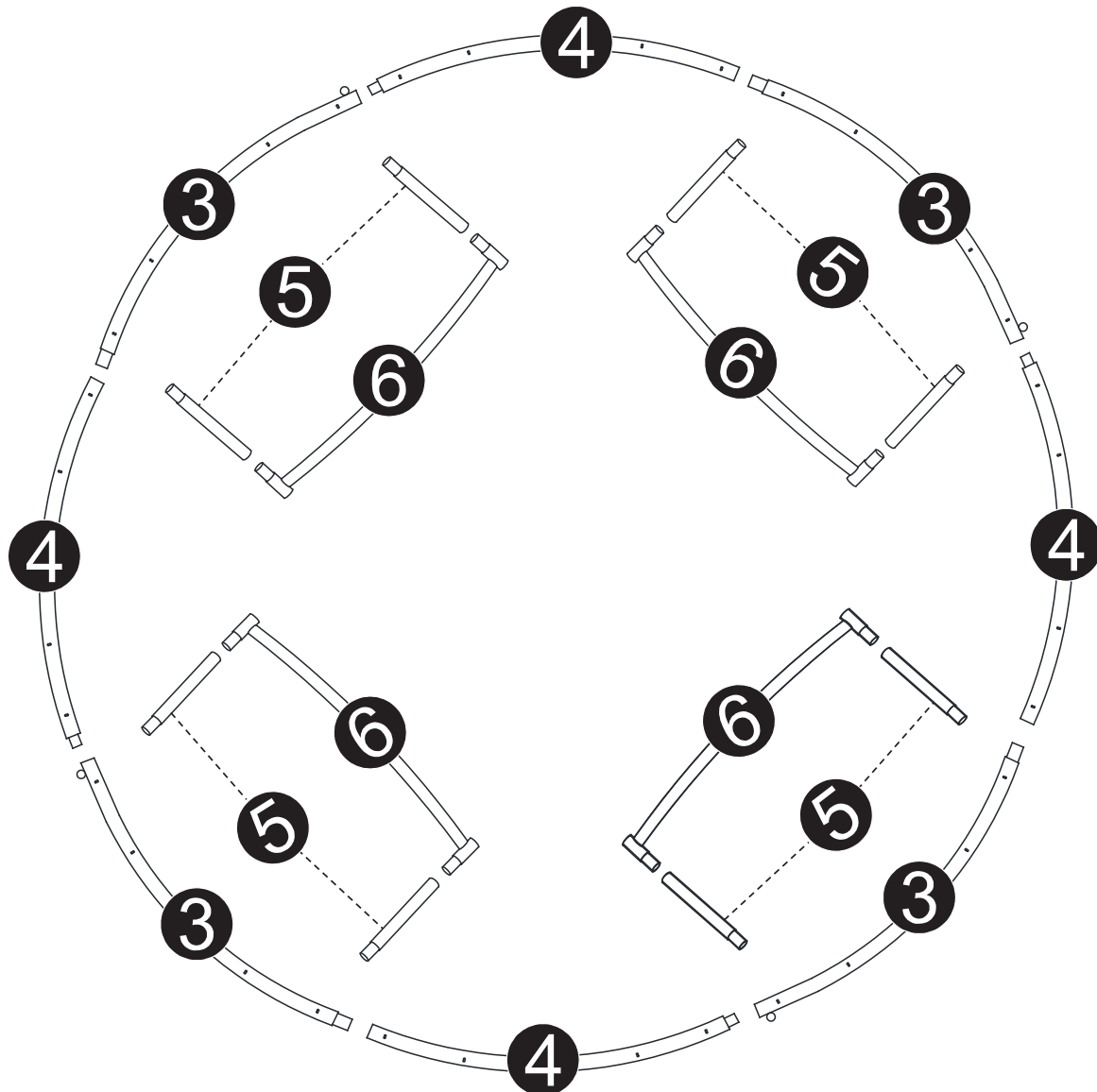
1		Trampoline Mat, stitched with Triangle-Rings	1
2		Frame Pad	1
3		Top Rail with Leg Sockets	4
4		Top Rail	4
5		Vertical Leg Extension	8
6		Leg Base	4
7		Galvanized Springs	40
8		Bolt	4
9		Arc Washer	4
10		Spring Washer	4
11		Wrench	1
12		Allen Wrench	1
13		Spring Loading Tool	1
14		Zip Tie	60
15		Flexible ruler	1
16		Bottom Enclosure Netting	1
17		Anchor Kit	4

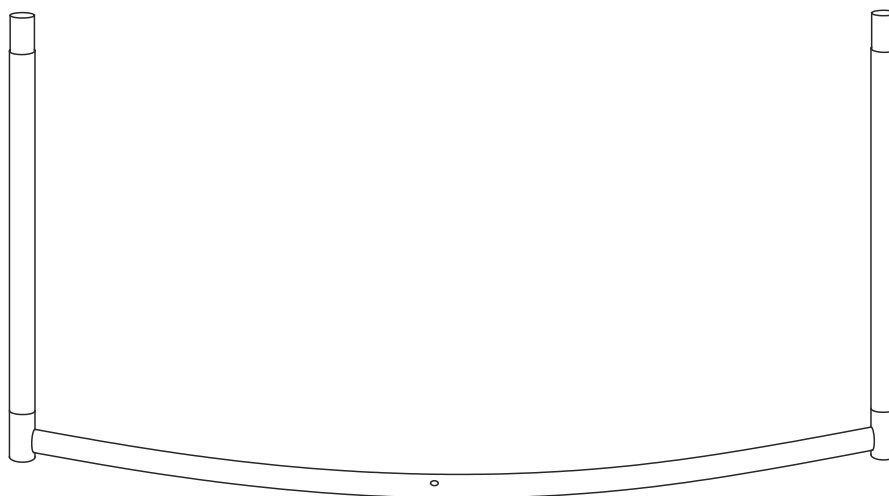
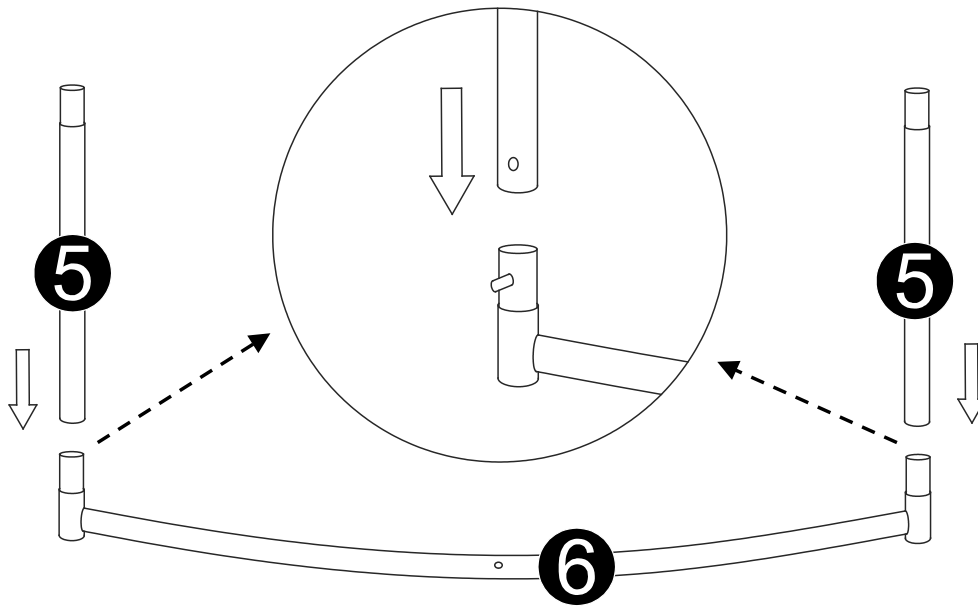
TRAMPOLINE & ENCLOSURE COMBO

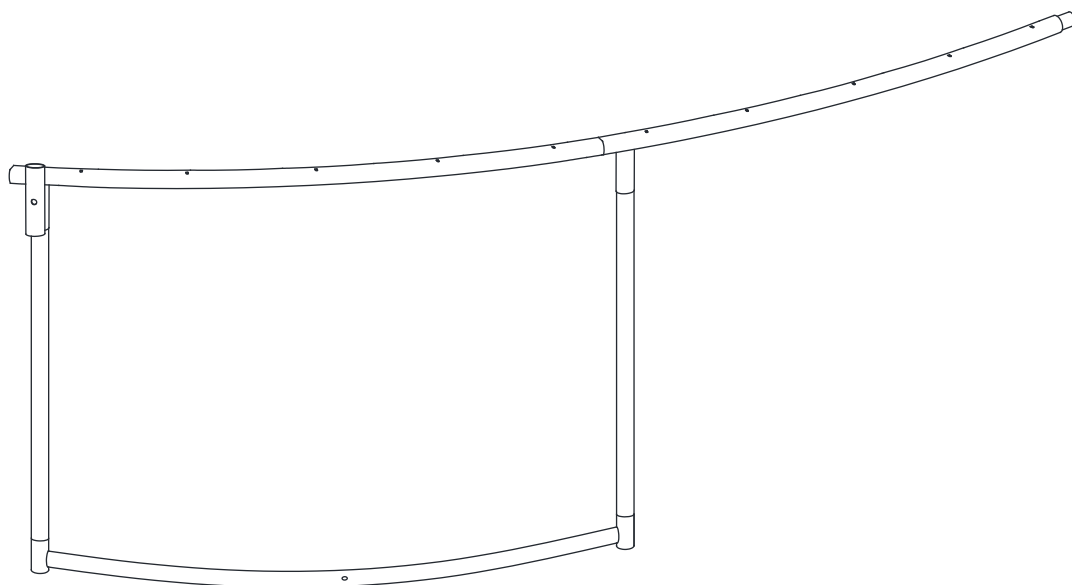
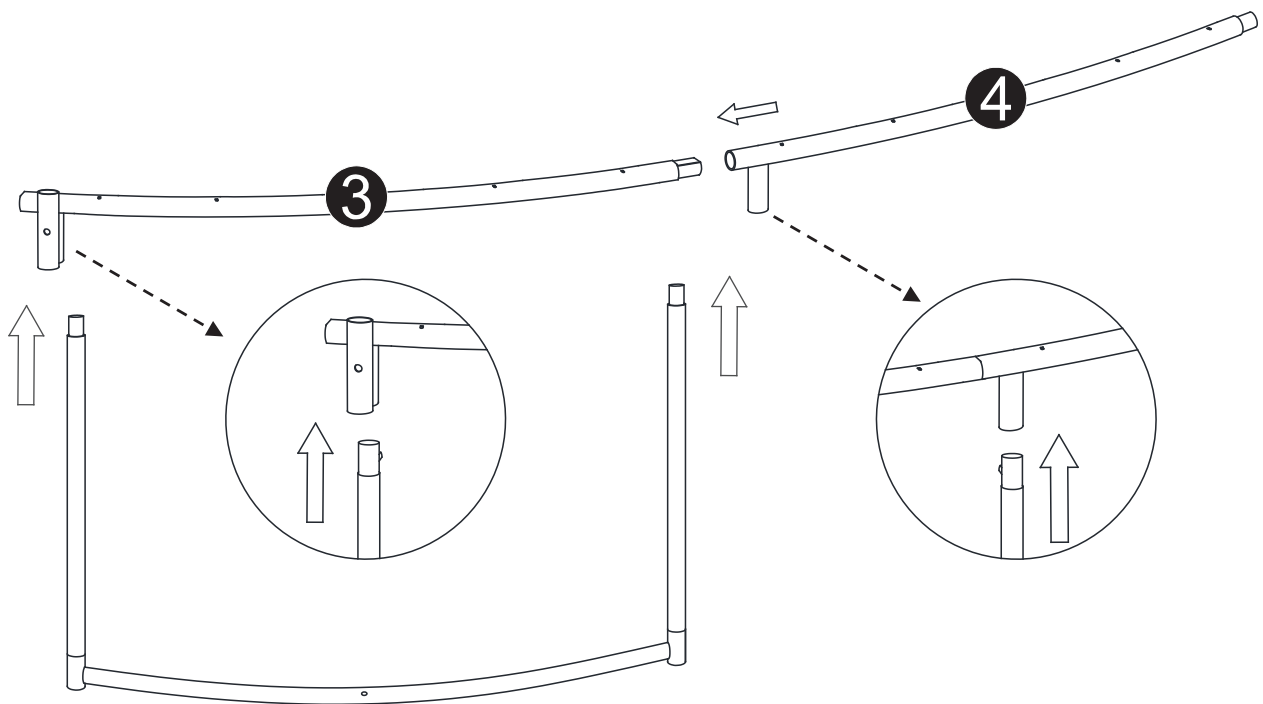


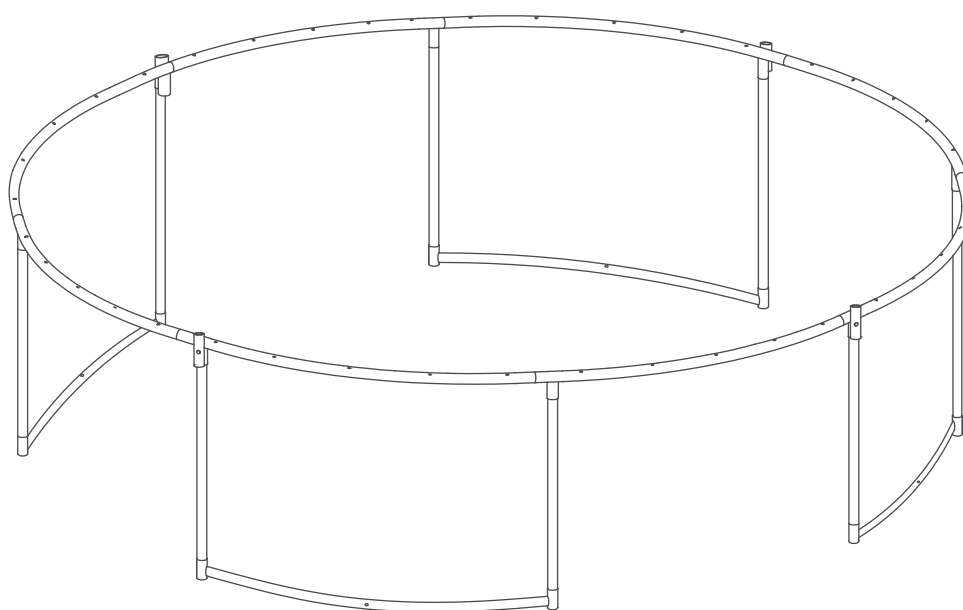
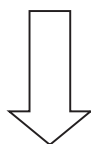
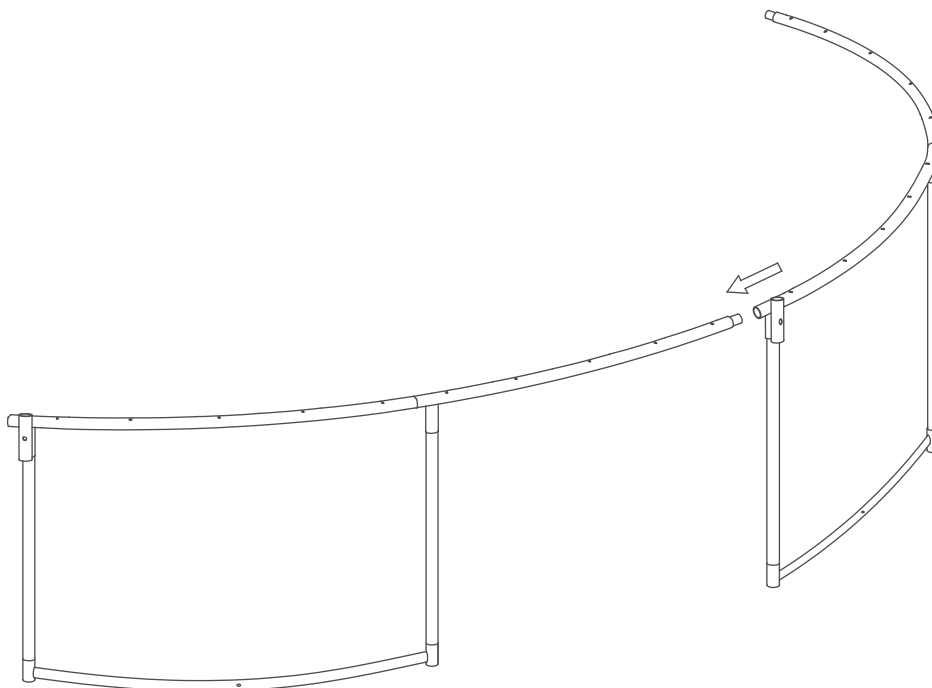
PARTS

A		Upper Frame Tube with Foam	4
B		Lower Frame Tube with Foam	4
C		Self-Locking Screw	4
D		Plastic Cap	4
E		Cap	4
F		Cable Wire	8
G		Cord	5
H		Enclosure Netting	1



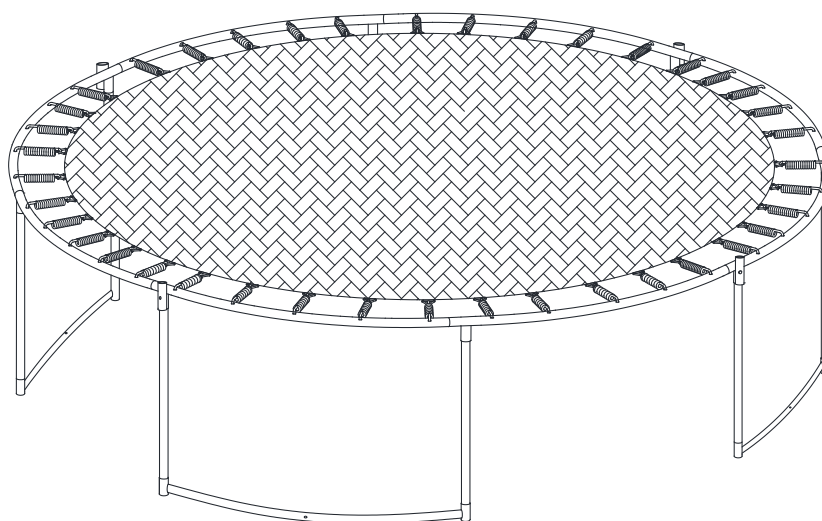
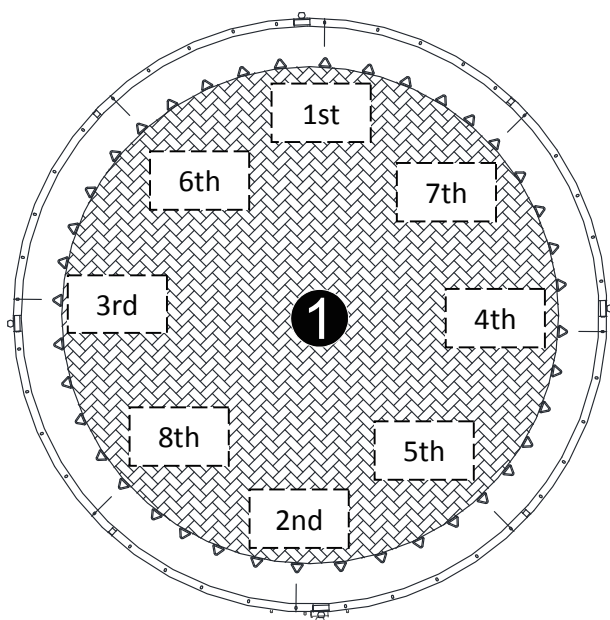
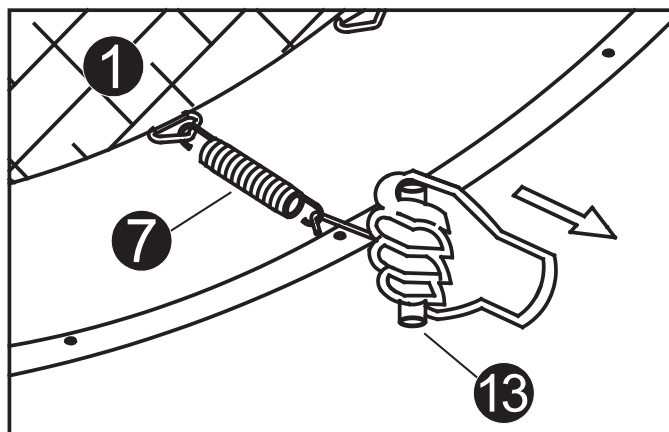






ASSEMBLY

5

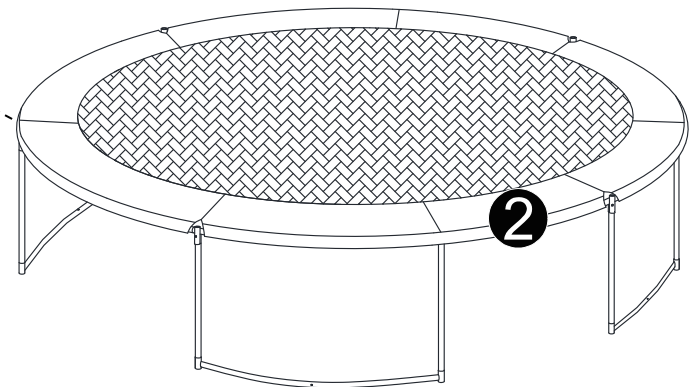
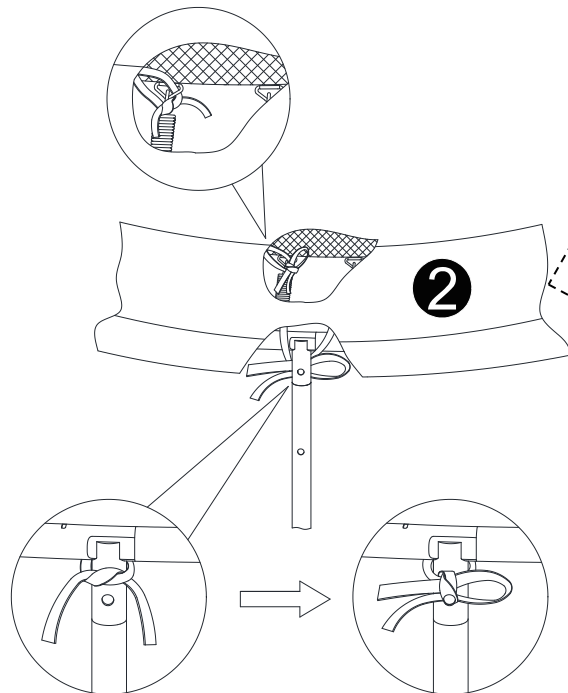
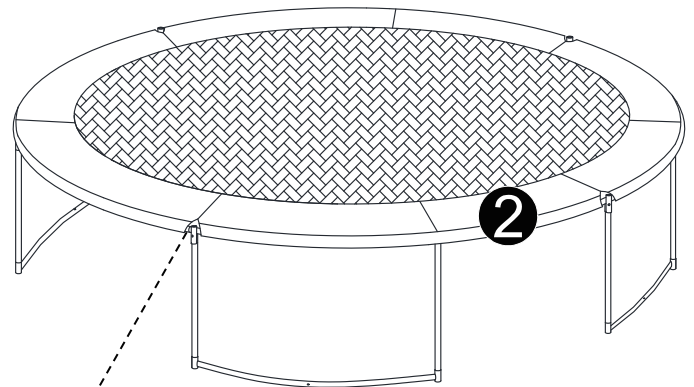
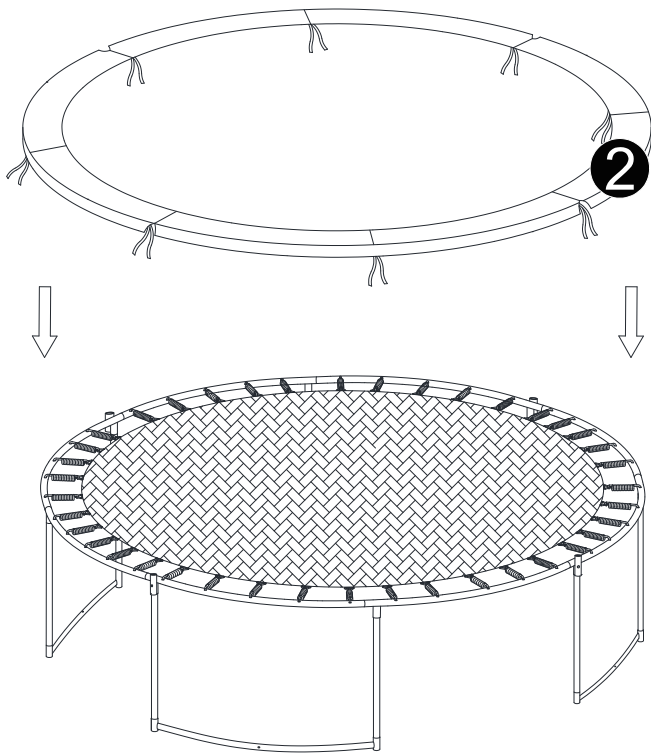


TRAMPOLINE & ENCLOSURE COMBO

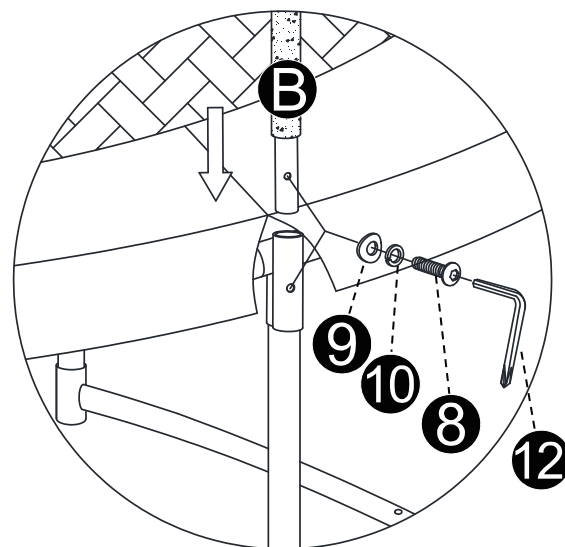
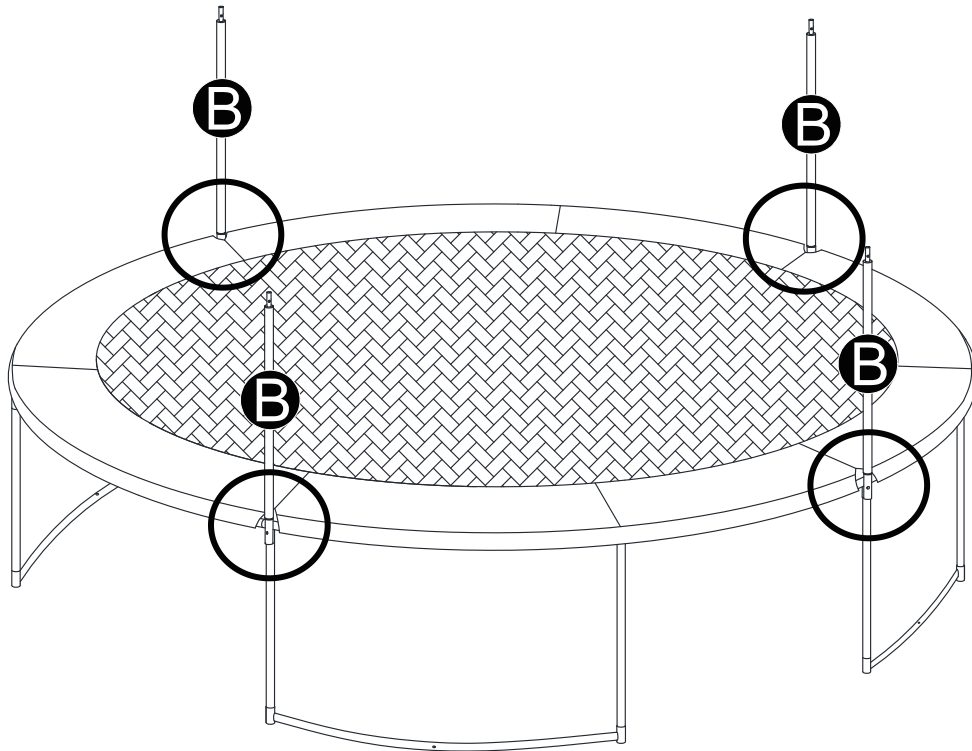


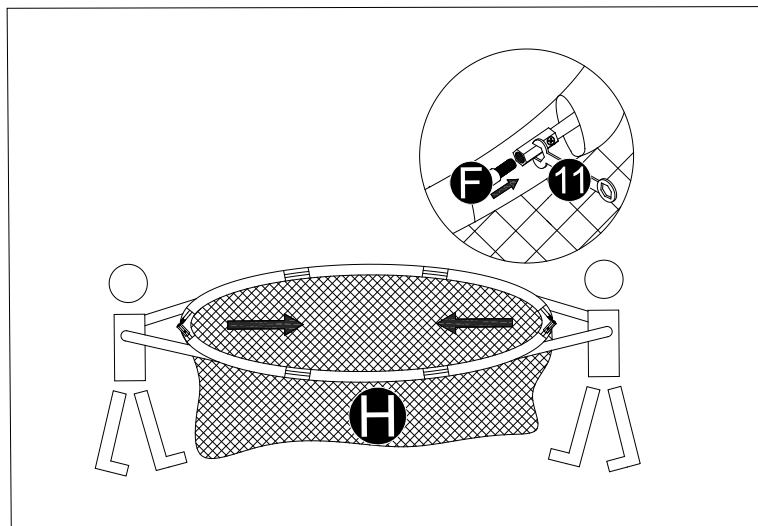
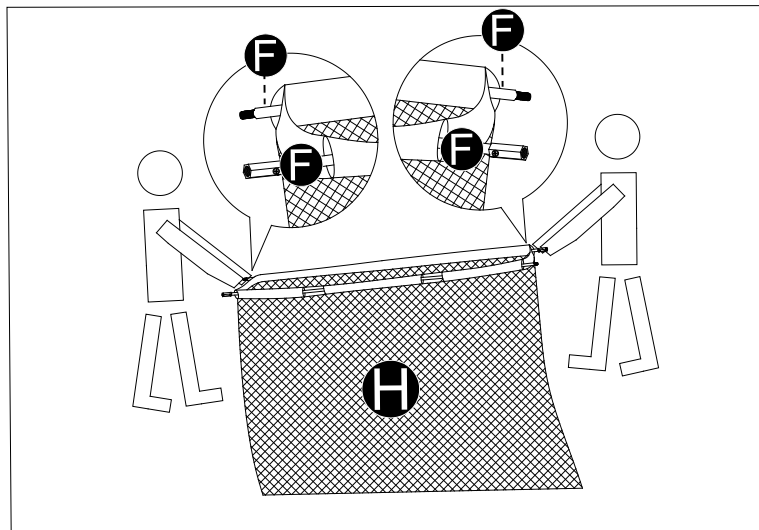
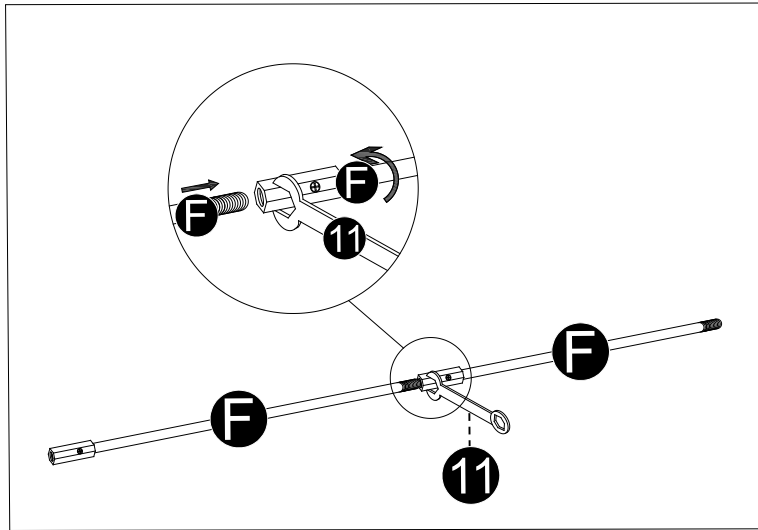
ASSEMBLY

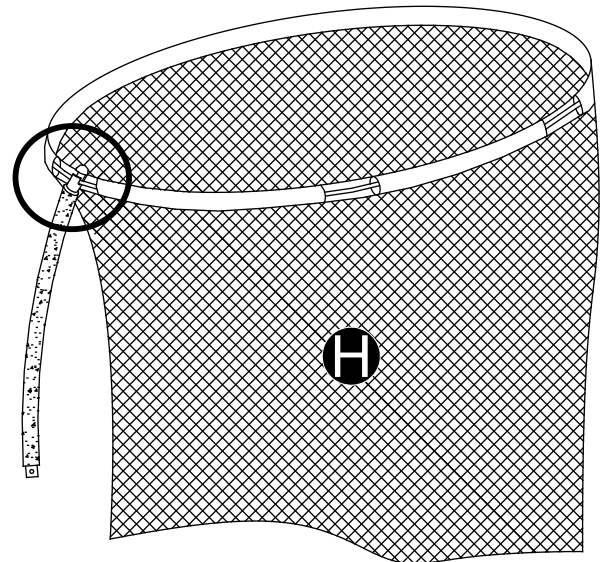
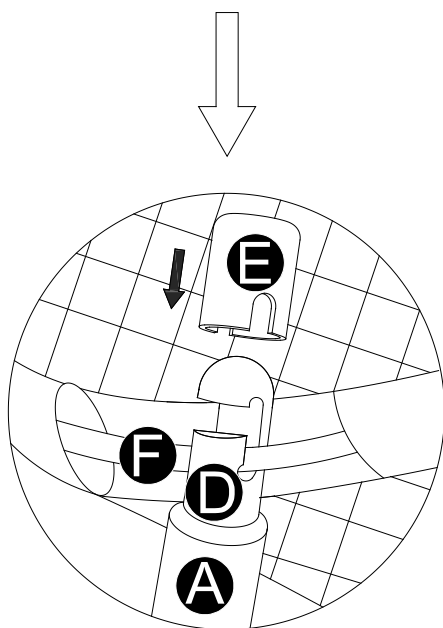
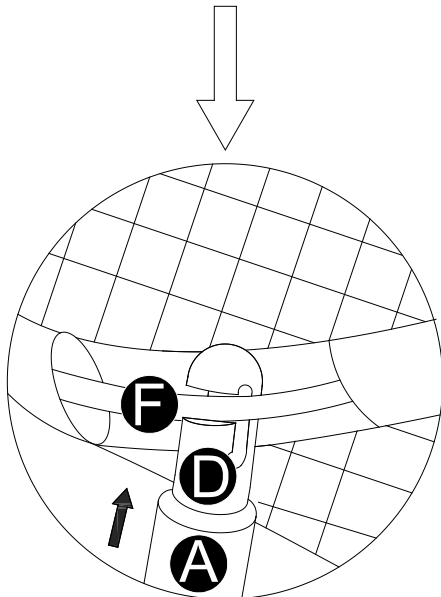
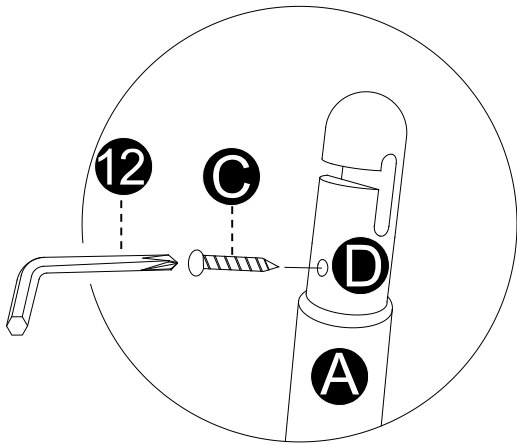
6

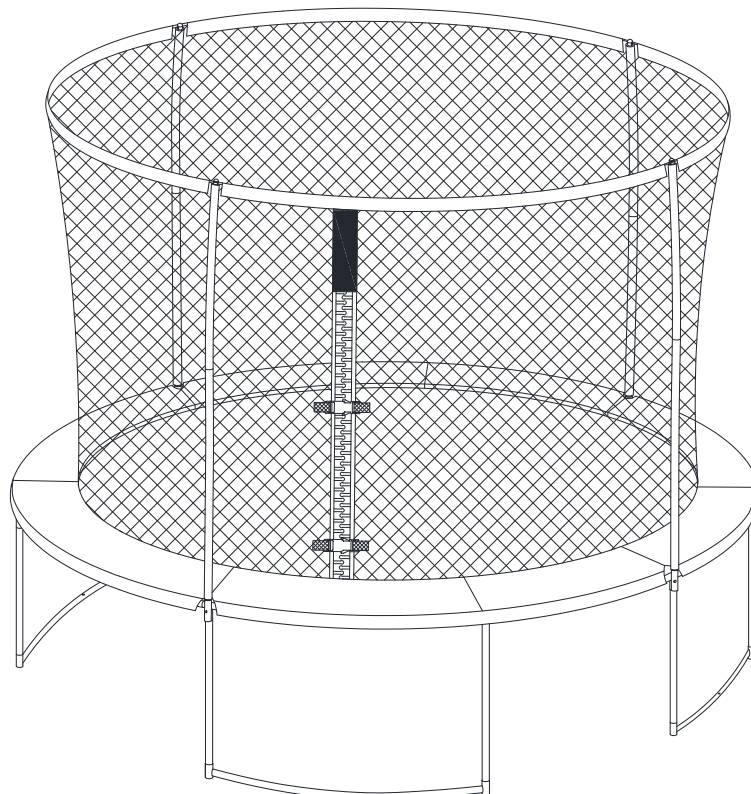
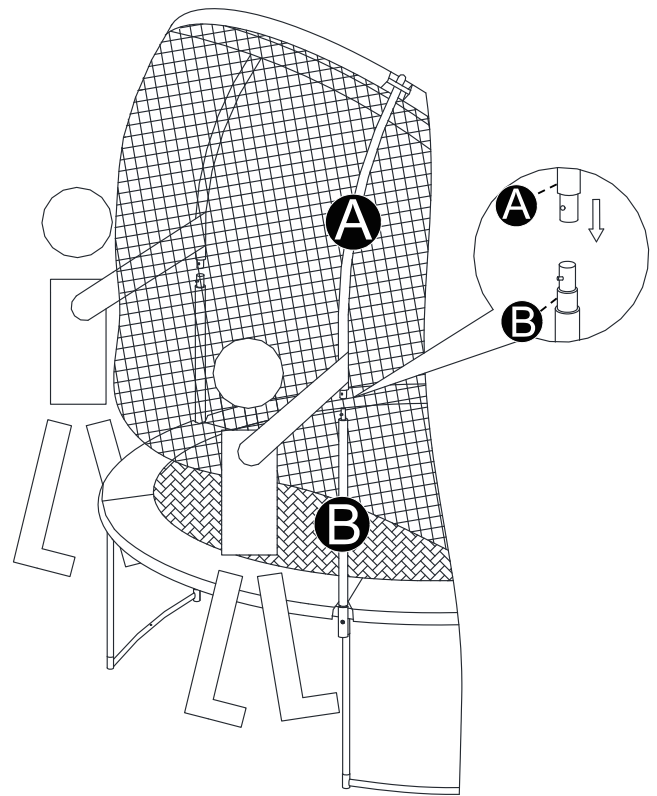
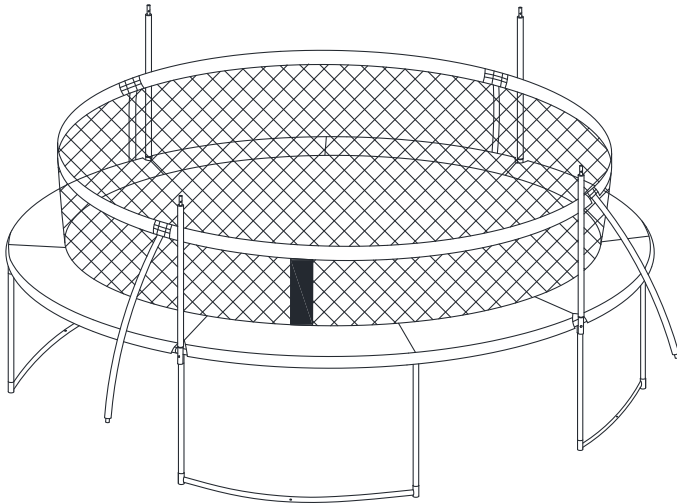


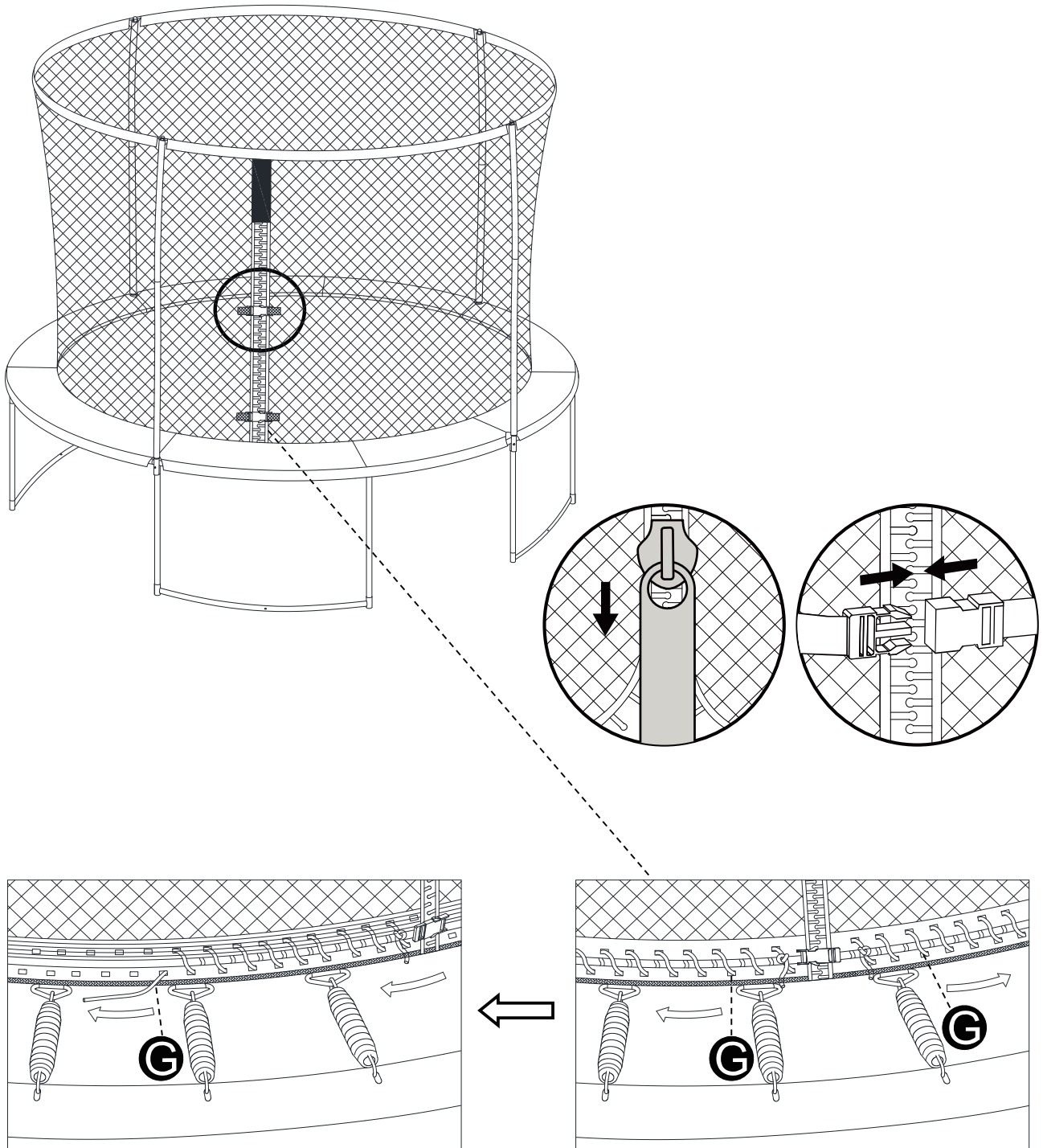
BY PRAGMA

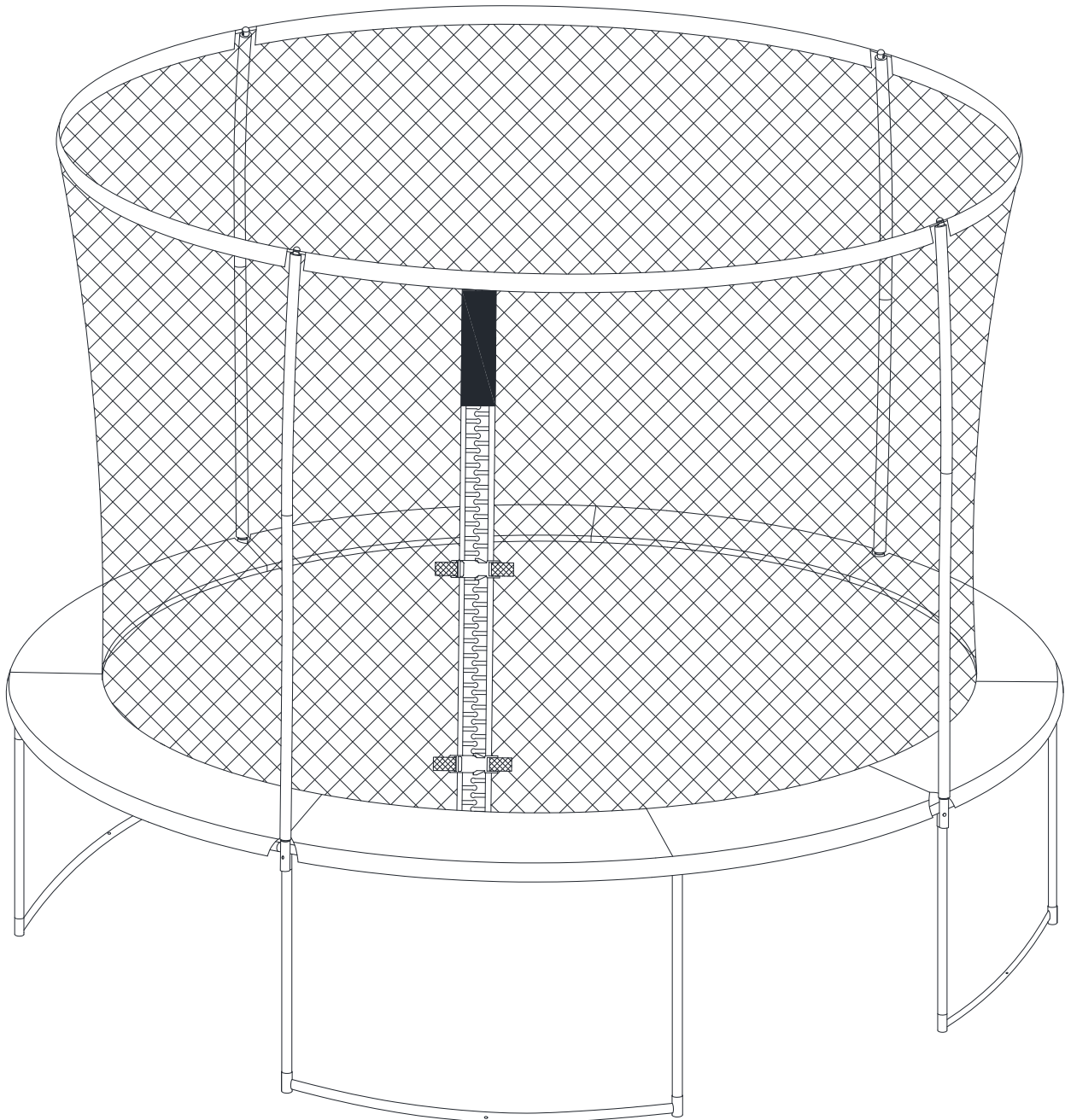


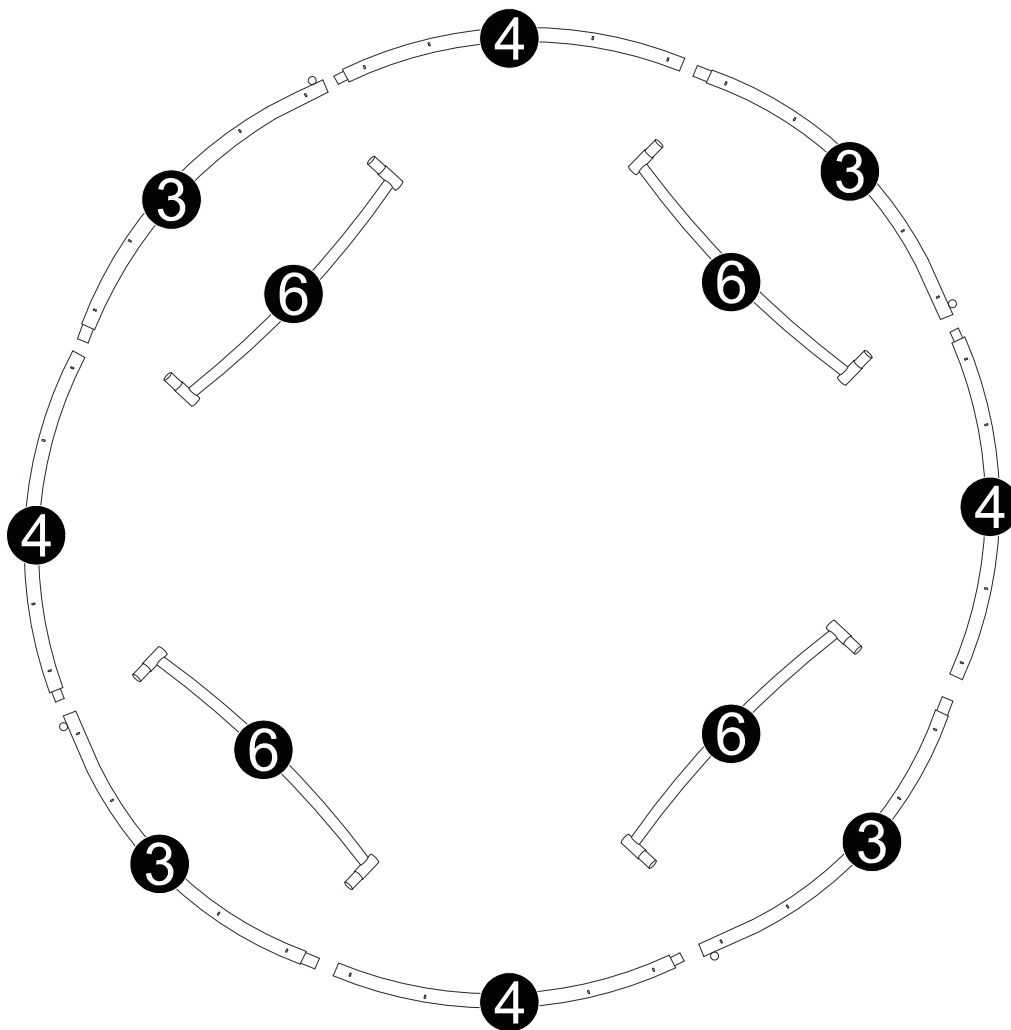


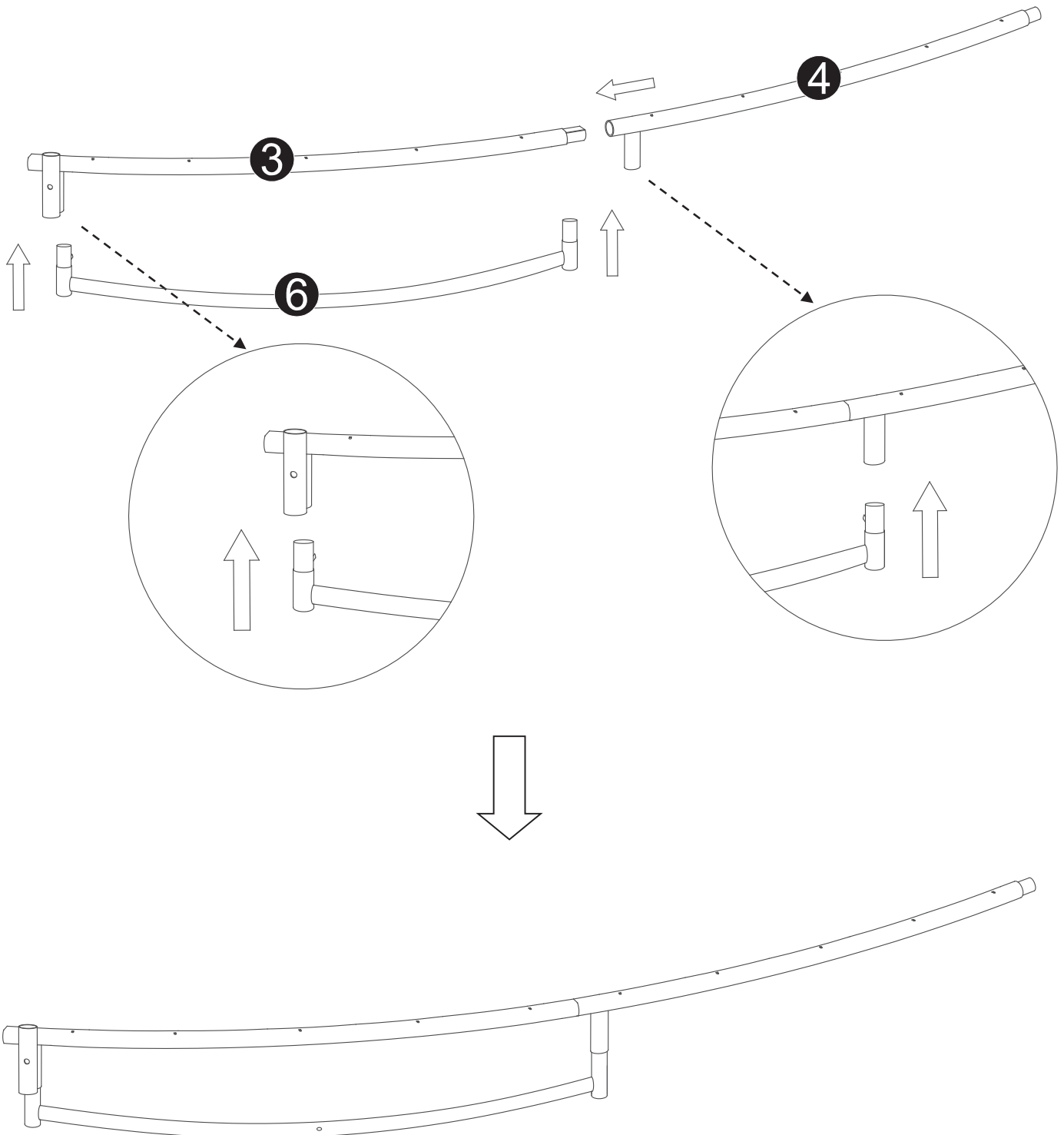


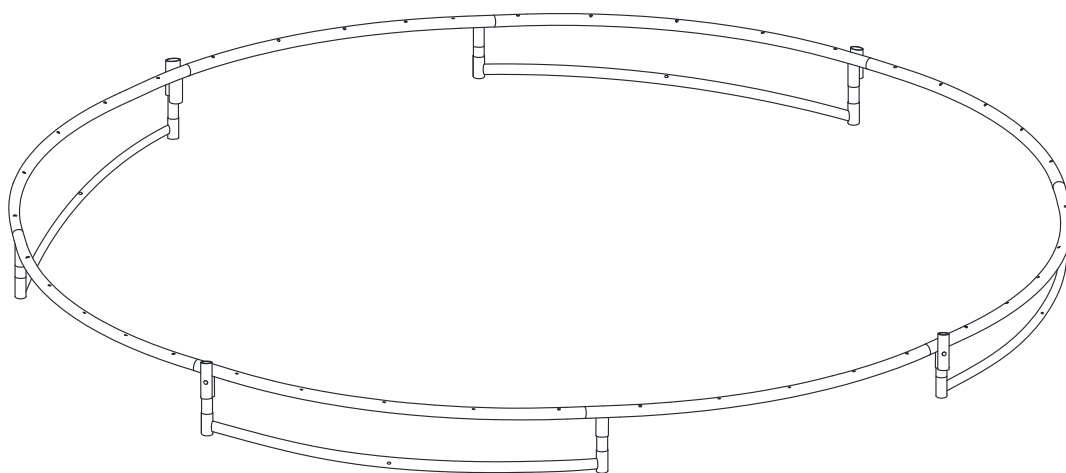
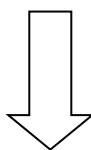
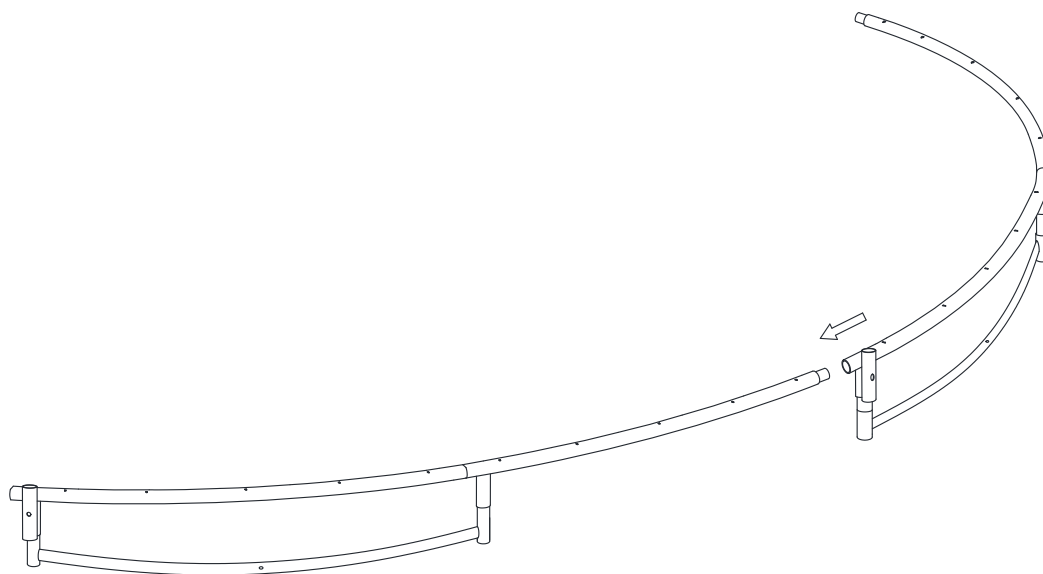


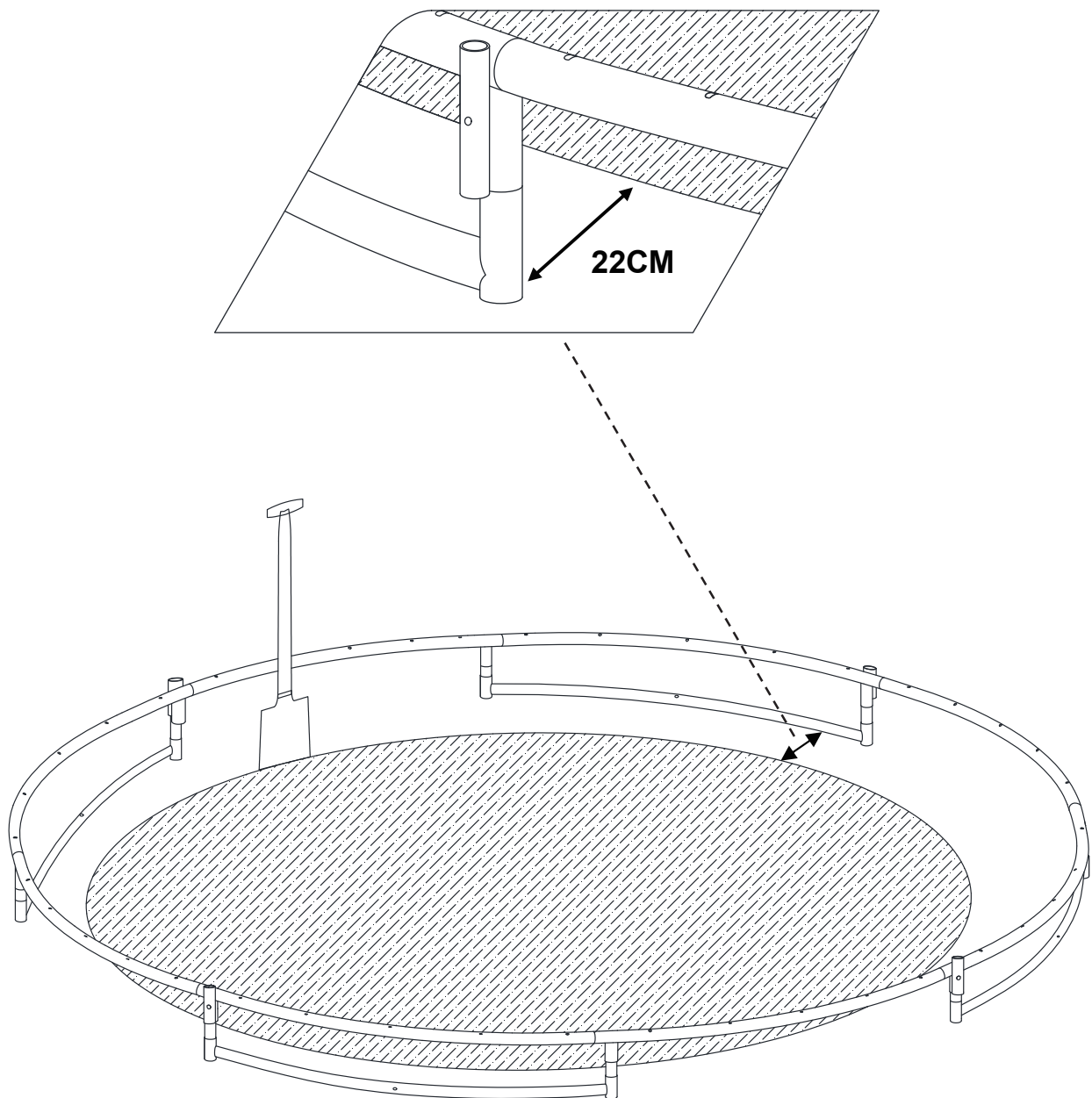


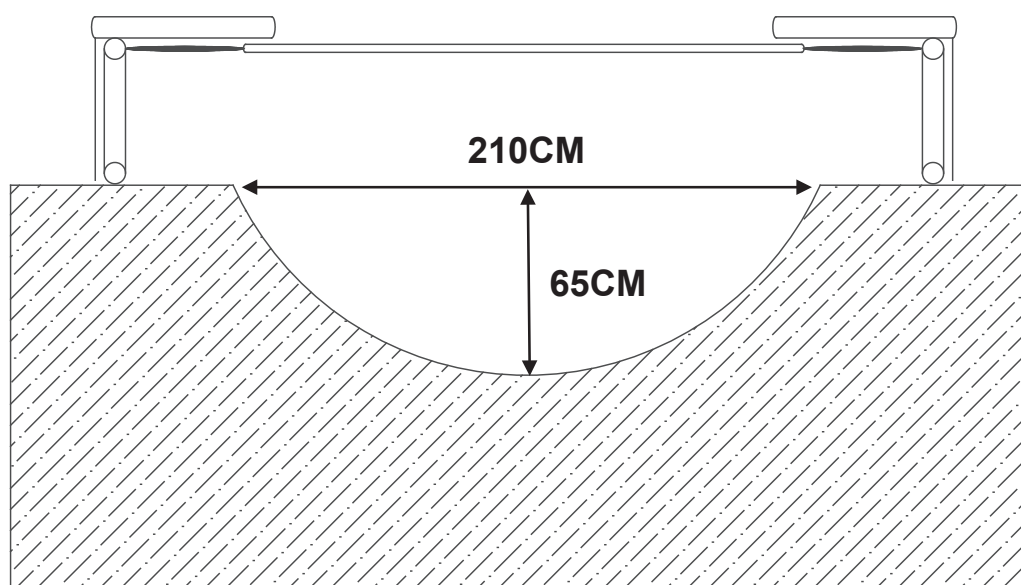












Tip: Place anti-root cloth in the hole to cover the soil, to prevent weed growing underneath the trampoline.

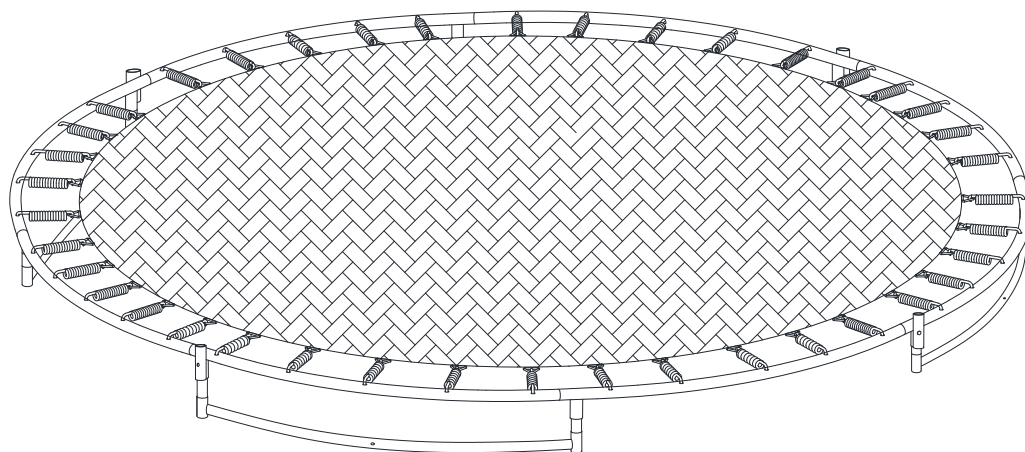
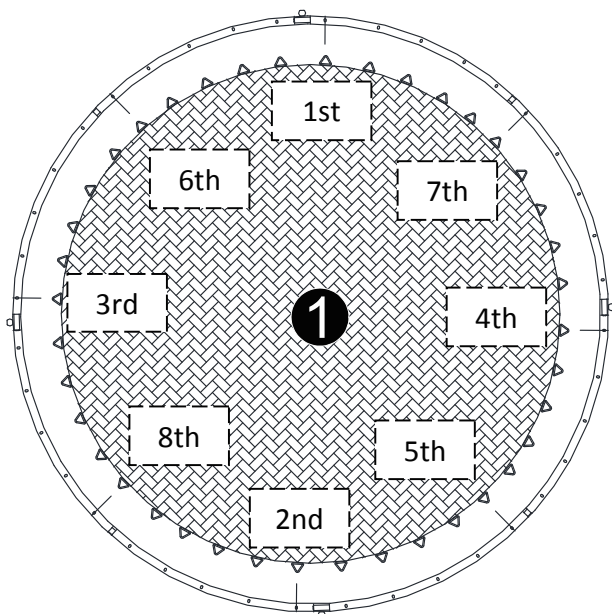
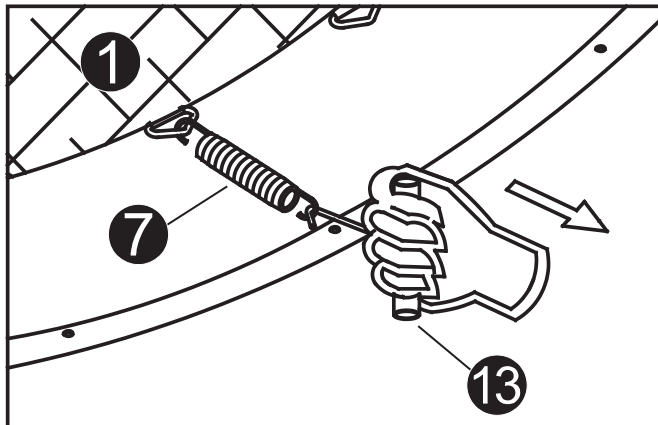
Tip: Legen Sie ein Anti-Wurzel-Tuch in das Loch, um den Boden zu bedecken, damit kein Unkraut unter dem Trampolin wächst.

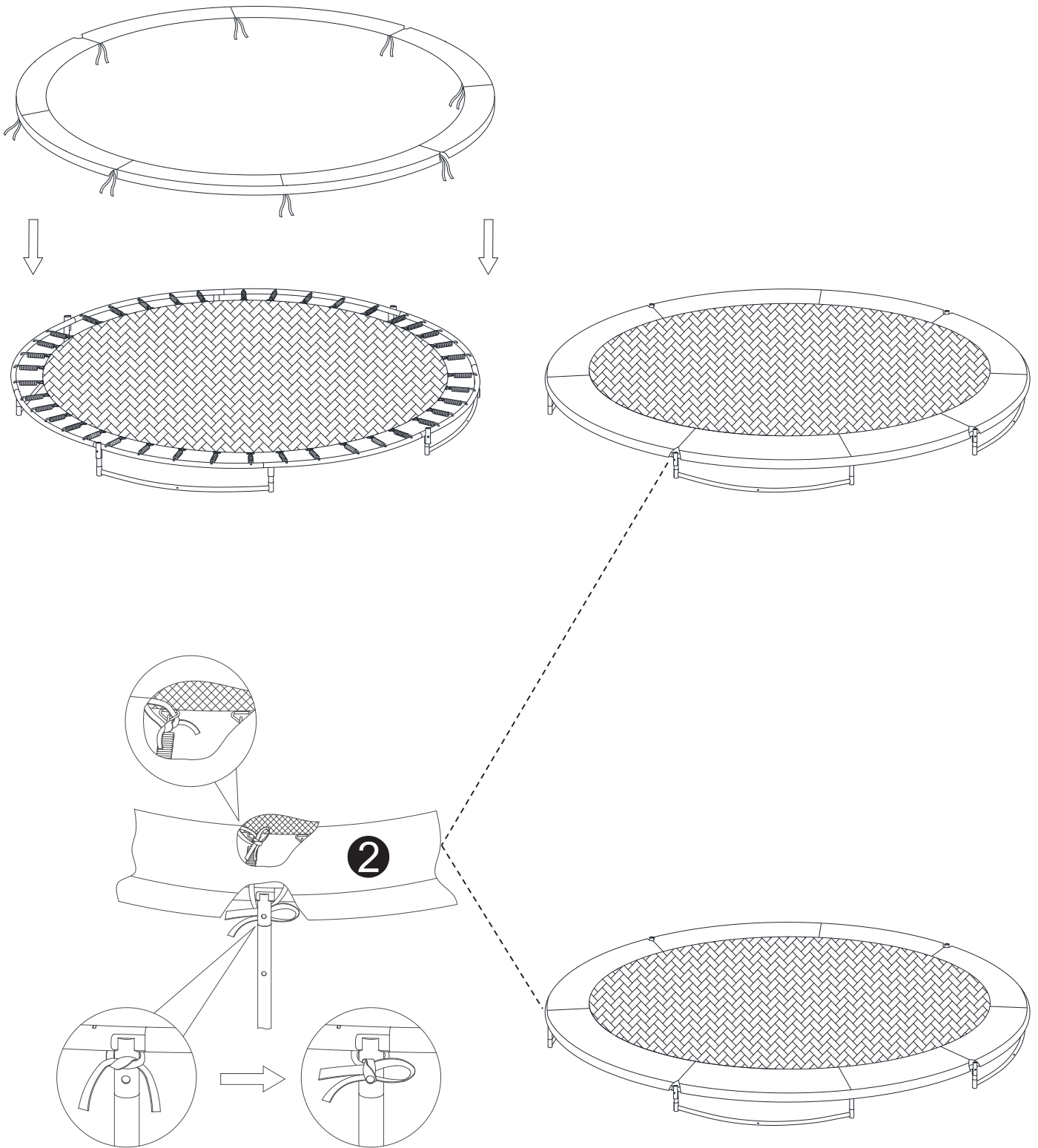
Tip: Leg anti-worteldoek in het gat om de grond af te dekken, om te voorkomen dat er onkruid onder de trampoline groeit.

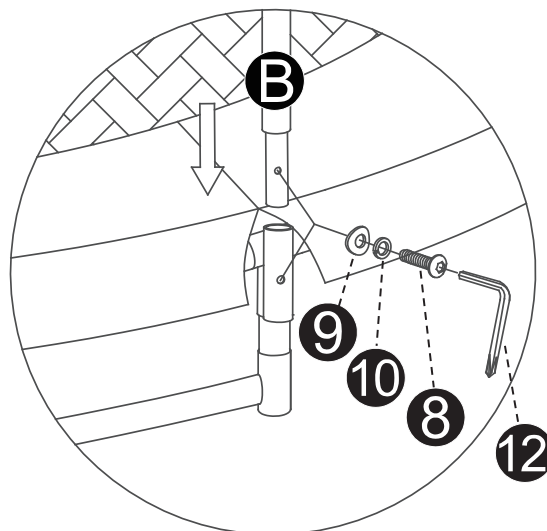
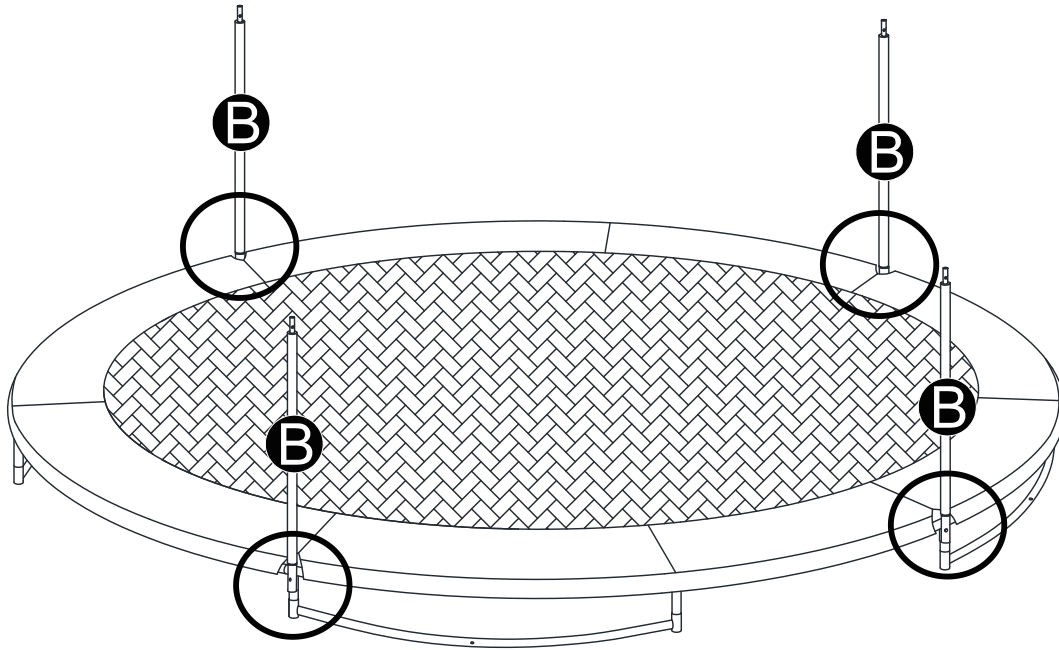
Conseil: Placez une toile anti-racine dans le trou pour recouvrir le sol, afin d'éviter que les mauvaises herbes ne poussent sous le trampoline.

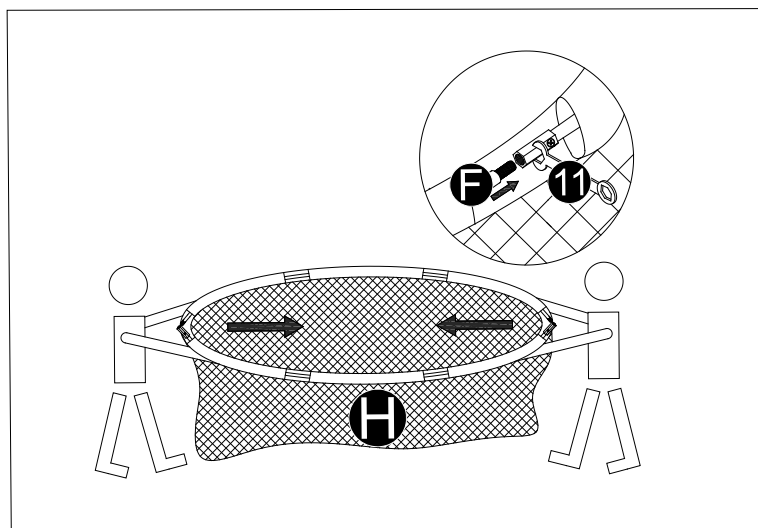
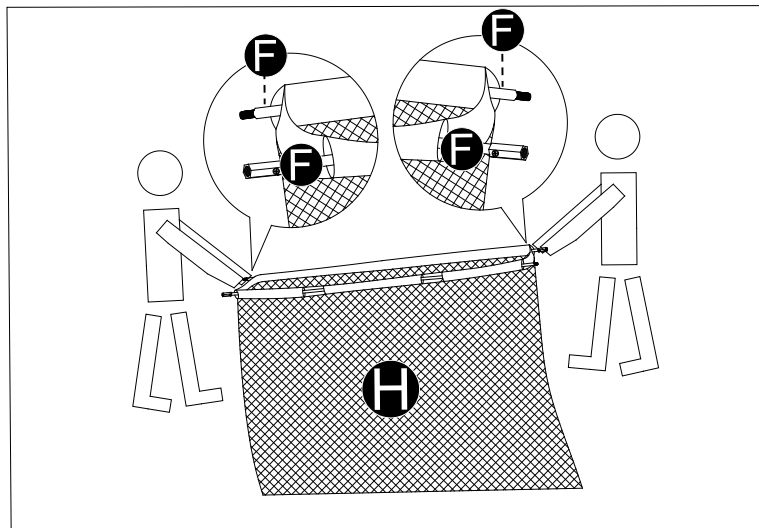
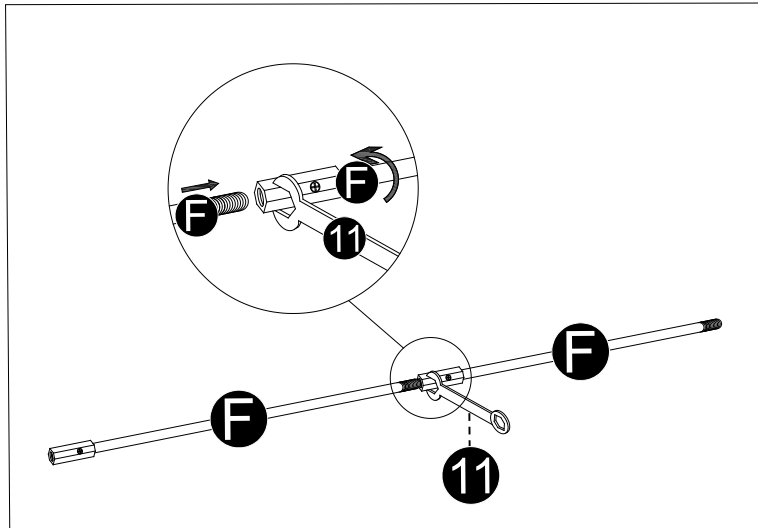
Consejo: Coloque una tela antirraíces en el agujero para cubrir la tierra, para evitar que crezcan las malas hierbas debajo de la cama elástica.

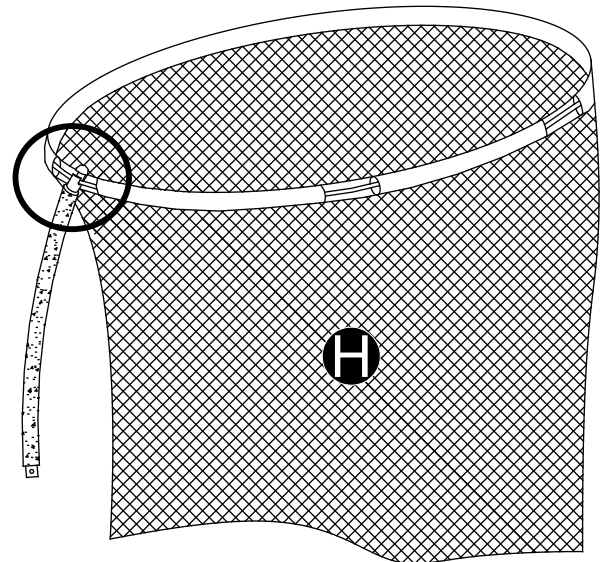
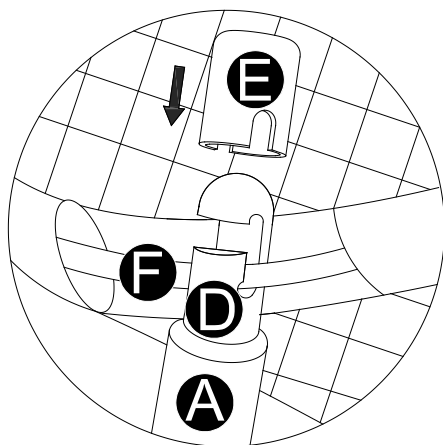
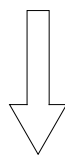
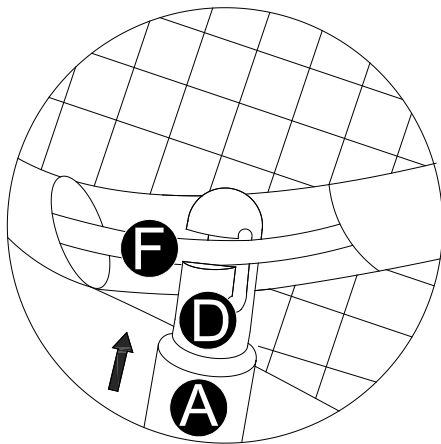
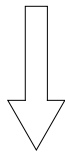
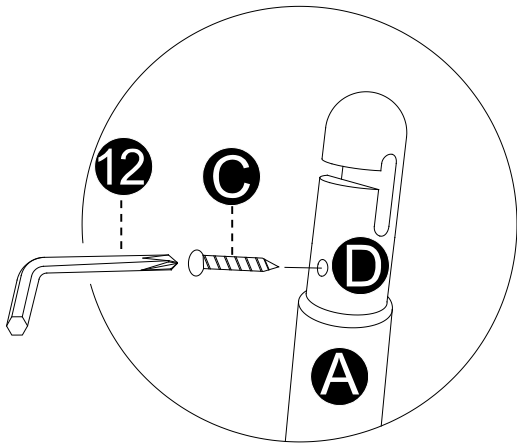
Suggerimento: Mettere un panno antiradice nel buco per coprire il terreno, per evitare che le erbacce crescano sotto il trampolino.

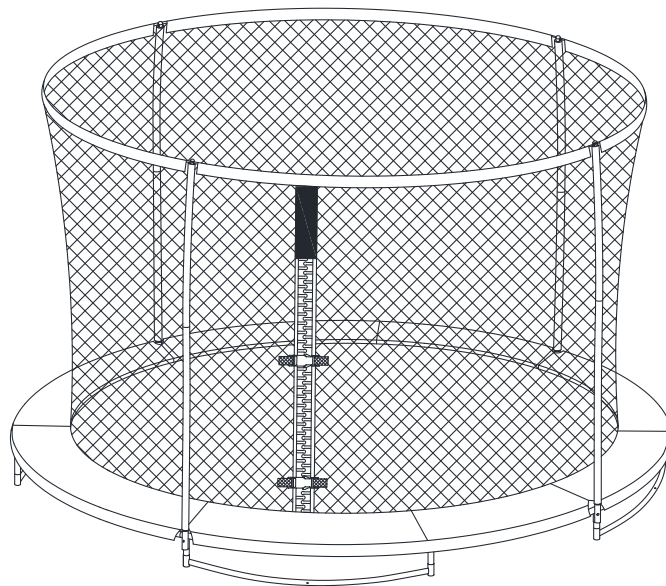
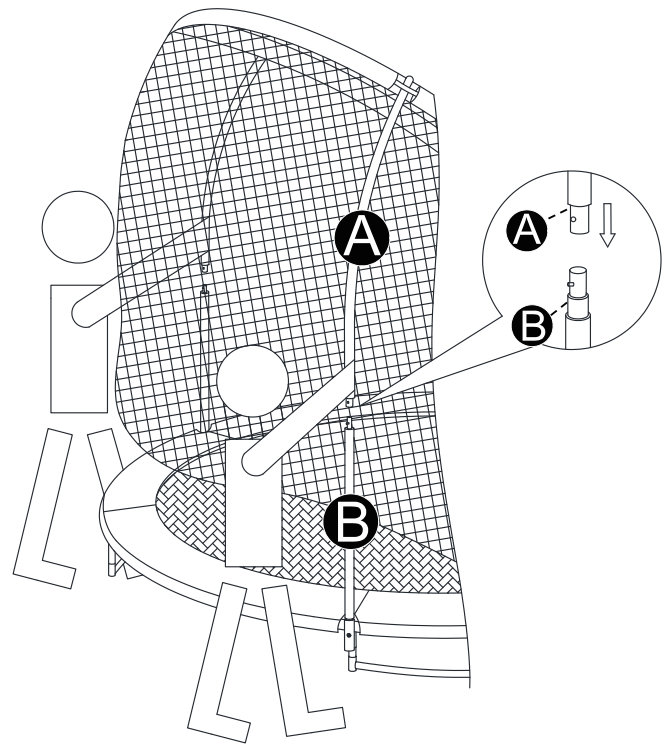
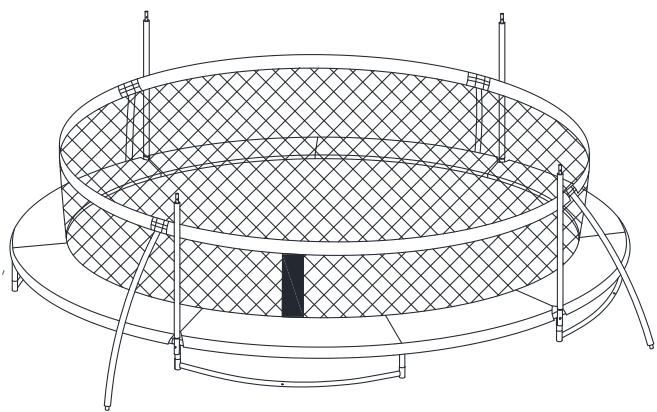


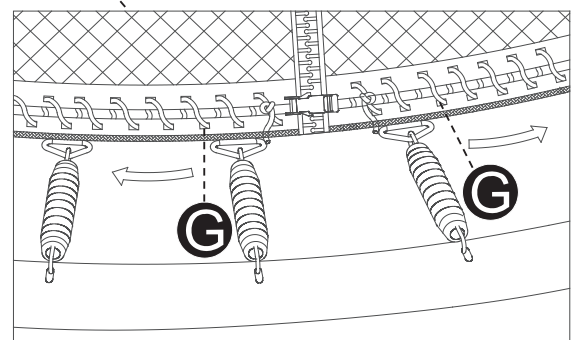
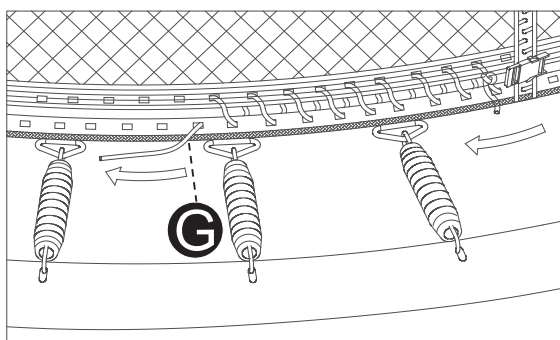
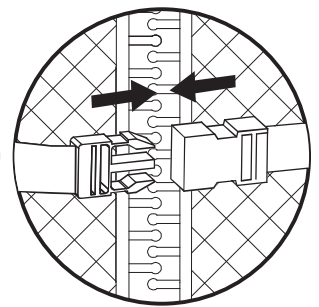
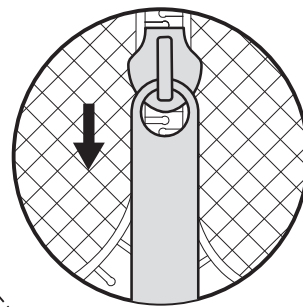
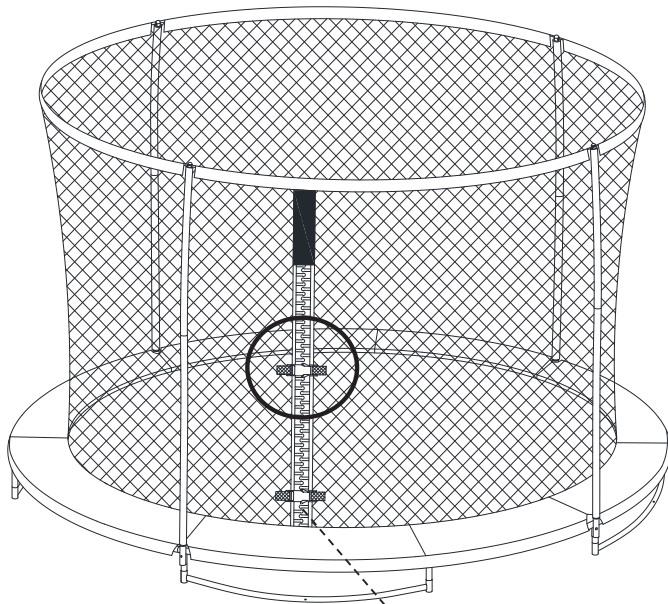








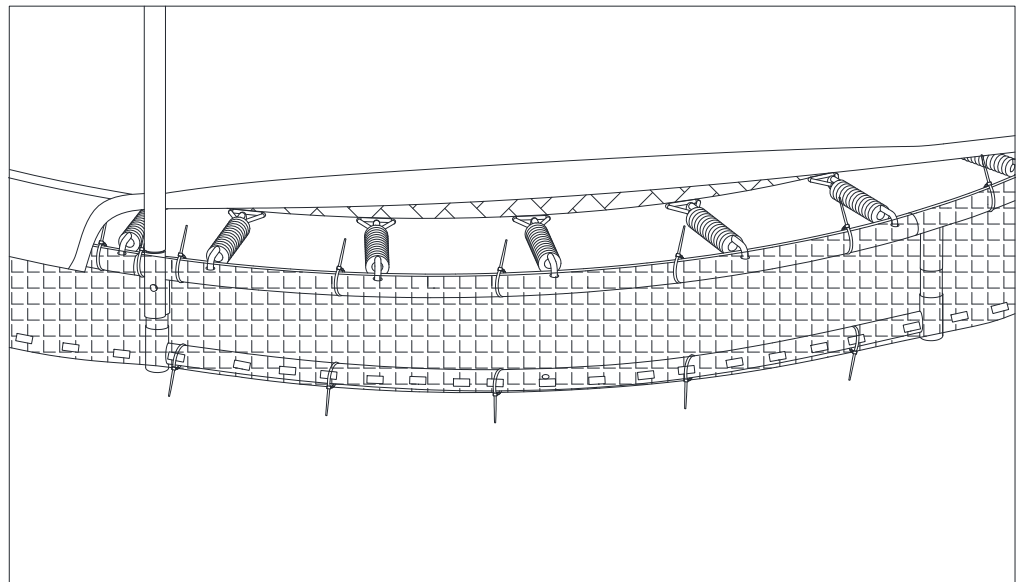
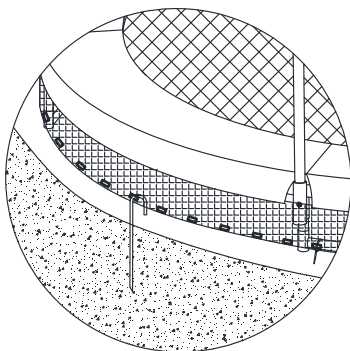
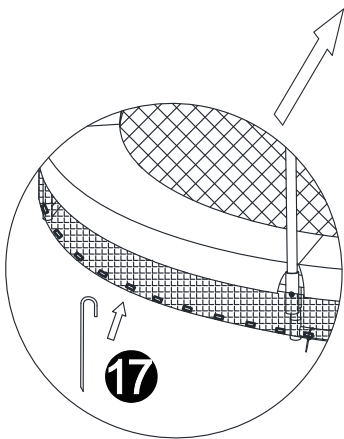
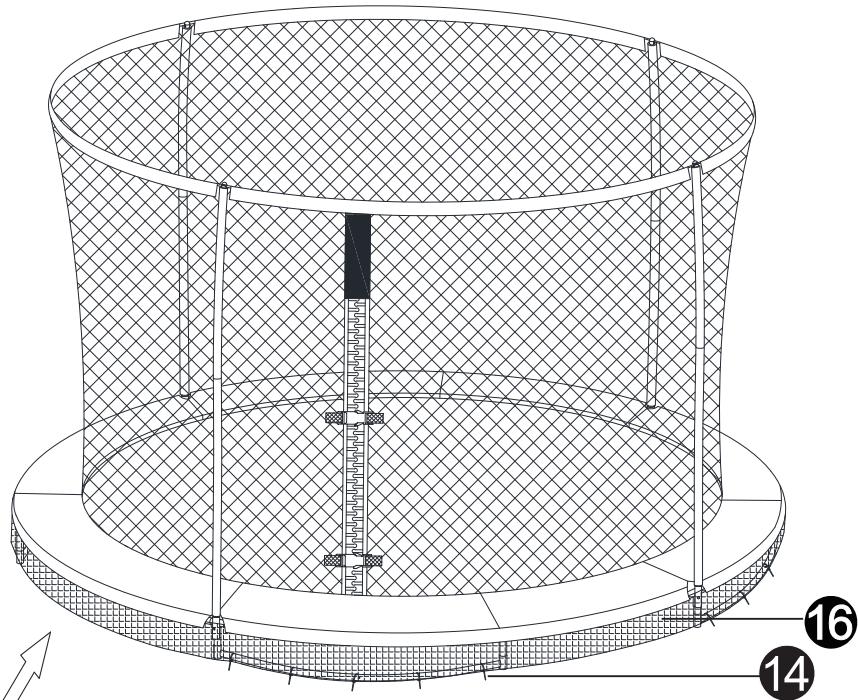




TRAMPOLINE & ENCLOSURE COMBO



ASSEMBLY





PRAGMA BRANDS

AXI

Premium brand with high quality wooden playhouses, play sets, swings, furniture, pet houses and sports games.

STEP2

US based market leader in highest quality roto-moulded plastic toys including sand/water tables, playhouses, furniture and creative play.

BACKYARD DISCOVERY

US based market leader in high quality wooden playhouses, play sets, sheds and garden accessories.

SUNNY

Mainstream indoor and outdoor toys such as teepee tents, easels, kitchens and sand pits.

COUGAR

Table games for indoor fun with football tables, air hockey tables, pool tables and multi-purpose tables.

SAFETY SAM

He is known as Safety Sam, Victor Veilig, Benni Brems and Simon Sikker. This brand is specifically directed towards the safety of children playing outside using localized names for more local awareness.





TRAMPOLINE & ENCLOSURE COMBO



A Pragma Brand

AXI is one of our brands with awesome products of great quality, that offers hours of active fun!

Pragma

Kruisboog 40
3905 TG Veenendaal
Netherlands
T: +31 (0)318 - 57 88 00
info@pragma-trading.com
www.pragma-trading.com

211221BVG

BY PRAGMA