



User manual
Gebrauchsanweisung
Gebruikshandleiding
Mode d'emploi
Používateľská príručka

CLASSIC SPA

65" X 25.6IN

1.65M X 65CM

80.3" X 25.6IN

2.04M X 65CM



Important safety rules: Before installing and using this product read, understand, follow all instructions carefully and keep it for future reference!

Wichtige sicherheitsregeln: Bevor Sie dieses Produkt installieren und verwenden lesen, verstehen und beachten Sie sorgfältig alle anweisungen, und für künftige bezugnahme aufbewahren!

Belangrijke veiligheidsvoorschriften: Voor installatie en gebruik, zorg dat u alle instructies aandachtig leest, begrijpt, naleeft en bewaar dit document voor latere inzage.

Règles importantes de sécurité: Lisez, comprenez et suivez attentivement toutes les instructions avant d'installer et d'utiliser ce produit! Conserver pour consultation ultérieure!

Dôležité bezpečnostné pravidlá: Pred inštaláciou a používaním tohto produktu si prečítajte, pochopte, starostlivo dodržiujte všetky pokyny a uschovajte si ich na budúce použitie!



Instructions	4
English	5
Deutsch	20
Nederlands	35
Français	50
Slovenský	65

1.0 Part reference



1.



2.



3.



4.



5.



6.



7.



8.



9.



10.



11.



12.

NOTE: Drawing for illustration purpose only. Actual product may vary. Not to scale. Before assembling your SPA-pool, layout and review the contents to become familiar with all the parts you will be using during the assembly:

HINWEIS: Die Zeichnungen dienen nur der Illustration. Das tatsächliche Produkt könnte etwas anders aussehen. Nicht maßstabsgetreu. Bevor Sie Ihren Pool zusammenbauen, breiten Sie den angelieferten Inhalt aus und überprüfen Sie ihn, um sich mit allen Teilen, die Sie während der Montage benötigen, vertraut zu machen:

OPMERKING: de tekening is uitsluitend bedoeld voor illustratiedoeleinden. Het werkelijke product kan verschillen. Niet volgens schaal. Voordat u het jacuzzi monteert, moet u de inhoud openleggen en controleren zodat u de onderdelen die u bij de montage zult gebruiken, leert kennen:

REMARQUE : Dessin à but d'illustration uniquement. Le produit réel peut varier. N'est pas à l'échelle. Avant de monter votre piscine, disposez et passez en revue le contenu pour vous familiariser avec toutes les pièces que vous utiliserez pendant le montage.

POZNÁMKA: Nákres slúži len na ilustráciu. Skutočný produkt sa môže líšiť. Nie je v mierke. Pred montážou vášho bazéna SPA rozložte a skontrolujte jeho obsah, aby ste sa oboznámili so všetkými časťami, ktoré budete počas montáže používať:



2.0 Introduction

Congratulations on choosing an EXIT Toys inflatable spa!

Have fun, be active and play outdoors.....

That's what keeps driving us to develop innovative, quality toys for cool kids and parents.

We do everything possible to develop safe products for children. As our products are classed as toys, we comply with the toughest consumer safety regulations. Before launching our products onto the market, we have independent tests carried out for certification. We also continuously test our production runs and periodically have independent tests performed again as a further check. Only products which live up to the highest EXIT Toys standard are marked with and recognized by the EXIT-brand.

"We want to thank you for your custom and your confidence in this product. We're sure your kids will have as much fun as we did during development. Being open-minded, we really appreciate all comments and ideas which will help us improve our products or develop new ones. You are invited to send your ideas to us at info@exittoys.com"

Please visit www.exittoys.com and discover more cool new products.

The EXIT Toys team

3.0 Guidelines for safe use



Carefully read, understand, and follow all information in this user manual before installing and using the swimming SPA-pool. These warnings, instructions, and safety guidelines address some common risks of water recreation, but they cannot cover all risks and dangers in all cases. Always use caution, common sense, and good judgment when enjoying any water activity. Please read carefully and keep for future reference.



Non Swimmers safety

1. Continuous, active, and vigilant supervision of weak swimmers and non-swimmers by a competent adult is required at all times (remember that children under five are at the highest risk of drowning)
2. Designate a competent adult to supervise the SPA-pool each time it is being used;
3. Weak swimmers or non-swimmers should wear personal protection equipment when using the SPA-pool;
4. When the SPA-pool is not in use, or unsupervised, remove all toys from the SPA-pool and its surrounding to avoid attracting children to the SPA-pool.



Safety devices

1. It is recommended to install a barrier (and secure all doors and windows, where applicable) to prevent unauthorized access to the SPA-pool;
2. Barriers, SPA-pool covers, pool alarms, or similar safety devices are helpful aids, but they are not substitutes for continuous and competent adult supervision.



Safety equipment

1. It is recommended to keep rescue equipment (e.g. a ring buoy) by the SPA-pool;
2. Keep a working phone and a list of emergency phone numbers near the SPA-pool.

Safe use of the SPA-pool

1. Encourage all users especially children to learn how to swim;
2. Learn Basic Life Support (Cardiopulmonary Resuscitation - CPR) and refresh this knowledge regularly. This can make a life-saving difference in the event of an emergency;
3. Instruct all SPA-pool users, including children, what to do in case of an emergency;
4. Never dive into any shallow body of water. This can lead to serious injury or death;
5. Do not use the swimming SPA-pool when using alcohol or medication



- that may impair your ability to safely use the SPA-pool;
6. When SPA-pool covers are used, remove them completely from the water surface before entering the SPA-pool;
 7. Protect SPA-pool occupants from water related illnesses by keeping the SPA-pool water treated and practicing good hygiene. Consult the water treatment guidelines in the user's manual;
 8. Store chemicals (e.g. water treatment, cleaning or disinfection products) out of the reach of children.
 9. Use the signage as outlined below;
 10. Removable ladders shall be placed on horizontal surface.

WARNING: drained SPA-pool outdoors may cause unknown hazards.

WARNING: Installation and assembly shall be done by adults.

WARNING: Read and follow the the instruction for use and maintenance to ensure a safe use of the SPA-pool kit. Not following the instructions for use and maintenance can cause serious health hazards, in particular for children.

WARNING: Only for domestic outdoor use.

WARNING: Drowning hazard. Children can drown in very small amounts of water.

WARNING: Empty the SPA-pool when not in use. Do not leave a small SPA-pool empty outdoor.

WARNING: Keep children under supervision in the aquatic environment.

WARNING: No diving.

READ ALL INSTRUCTIONS AND SAFETY WARNINGS IN THIS MANUAL

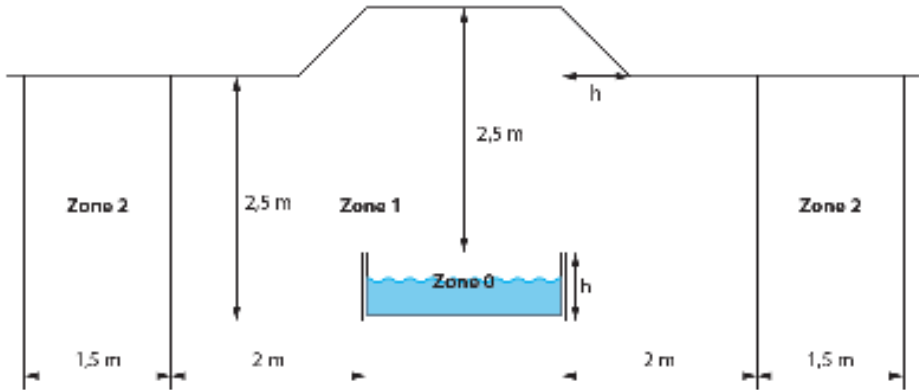
Failure to follow the warnings and instructions in this manual may result in serious injury, drowning or electric shock. The safety of your children is left on your hand! The risk is the highest for children aged below 5. Be high alert all the time.

Always comply with the following instructions:

- The children should be under close and constant supervision;
- Designate one security responsible;
- Always designate a responsible person to manage SPA-pool and SPA-pool area;
- Adult supervision should always be relevant to the number of people using the SPA-pool;
- Wet the nape, chest and legs before entering the water;
- Learn the safety gestures and especially the specifics to children;
- Prohibit diving and jumping;
- Prohibit running, splashing games around the SPA-pool;
- Do not let an unattended child who does not swim use the SPA-pool with no life-jackets on;
- Do not leave any players around and in the basin unattended;
- Always keep the water treatment products out of reach of all children.

If incident occurs remove the injured person or child from the SPA-pool and SPA-pool area

Contact emergency services for advice and guidance on how to treat injured person or child
The hot tub's electrical connections must be installed in the electrical safety zones labelled 1, 2 or outside all safety zones. The measured zones are limited by walls and fixed partitions.



DANGER

Risk of accidental drowning:

- Extreme caution must be exercised to prevent unauthorized access by children.
- Inspect the spa cover regularly for leak, premature wear and tear, damage or signs of deterioration. Never use a worn or damaged cover: it will not provide the level of protection required to prevent unsupervised access to the spa by a child.
- Always lock the spa cover after each use.

Risk of injury:

If the supply cord is damaged, it must be replaced by the manufacturer, its service agent or similarly qualified persons in order to avoid a hazard.

Risk of Electric Shock:

- Do not permit any electrical appliances, such as a light, telephone, radio or television within 1.5m (5 feet) of a spa tub.
- Do not use the spa when it is raining, thundering or lightning..

WARNING

- To reduce the risk of electric shock, do not use an extension cord, timers, plug adapters or converter plugs to connect the unit to electric supply; provide a properly located outlet.
- The spa electrical appliance should be supplied through a residual current device (RCD) having a rated residual operating current not exceeding 10mA.
- Parts containing live parts, except parts supplied with safety extra-low voltage not exceeding 12V, must be inaccessible to occupants in the spa.
- Parts incorporating electrical components, except remote control devices, must be located or fixed so that they cannot fall into the spa.
- Residential electrical connection box must be located safely with a distance of at least 2m away from the spa.
- Electric installation should fulfill the local requirement or standards.
- This appliance can be used by children aged from 8 years and above and persons with reduced physical, sensory or mental capabilities or lack of experience and



knowledge if they have been given supervision or instruction concerning use of the appliance in a safe way and understand the hazards involved.

- Children shall not play with the appliance. Cleaning and user maintenance shall not be made by children without supervision.
- To reduce the risk of injury, do not permit children use this product unless they are closely supervised all times.
- To reduce the risk of child drowning, supervise children all times. Attach and lock spa cover after each use.
- Make sure the floor is capable of supporting the expected load ($\geq 500\text{kg/m}^2$).
- Adequate draining system must be provided around the spa to deal with overflow water.
- To avoid damage do not leave the appliance empty for an extended period.
- To avoid damage to the pump, the spa must never be operated unless the spa is filled with water.
- Immediately leave spa if uncomfortable or sleepy.

To reduce the risk of injury :

- Lower water temperatures are recommended for young children and when spa use exceeds 10 minutes.
- In order to avoid the possibility of hyperthermia (heat stress) occurring it is recommended that the average temperature of spa-pool water should not exceed 40°C (104°F).
- Since excessive water temperatures have a high potential for causing fetal damage during the early months of pregnancy, pregnant or possibly pregnant women should limit spa water temperatures to 38°C (100°F).
- Before entering a spa or hot tub the user should measure the water temperature with an accurate thermometer since the tolerance of water temperature regulating devices varies.
- The use of alcohol, drugs or medication before or during spa use may lead to unconsciousness with the possibility of drowning.
- The use of alcohol, drugs, or medication can greatly increase the risk of fatal hyperthermia in spas.
- The causes and symptoms of hyperthermia may be described as follows:
 - Hyperthermia occurs when the internal temperature of body reaches a level several degrees above the normal body temperature 37°C (98.6°F). The symptoms of hyperthermia include an increase in the internal temperature of body, dizziness, lethargy, drowsiness, and fainting. The effect of hyperemia include failure to perceive heat; failure to recognize the need to exit spa; unawareness of impending hazard; fatal damage in pregnant women; physical inability to exit the spa; and unconsciousness resulting in the danger of drowning.
- Obese persons or persons with a history of heart disease, low or high blood pressure, circulatory system problem, or diabetes should consult a physician before using a spa.
- Persons using medication should consult a physician before using a spa since some medication may induce drowsiness while other medication may affect heart rate, blood pressure and circulation.

- Check with doctor before use if pregnant, diabetic, in poor health, or under medical care.
- People with infectious disease should not use a spa or hot tub.
- To avoid injury exercise care when entering or existing the spa or hot tub.
- Water temperature in excess of 40°C (104°F) may be injurious to your health.
- Never use a spa or hot tub alone or allow others to use the spa alone.
- Do not use a spa or hot tub immediately following strenuous exercise.
- Do not put the spa under 0°C (32°F) environment in order to avoid freezing if there is still water in the SPA-pool.
- Do not turn on the spa when the water is frozen.
- Never pour water with a temperature higher than 40°C(104°F) into the spa directly.
- Always unplug this product from the electrical outlet before removing, cleaning, servicing or making any adjustment to the product.
- Never jump or dive into a spa or any shallow body of water.
- Do not bury the electrical cord. Locate the cord where it will not be damaged by lawn mowers, hedge trimmers and other equipment.
- Do not attempt to plug in or unplug this product while standing in water or when your hands are wet.
- Do not use the spa if damaged in delivery and/or malfunctioning in any way.
- Do not add bath oil or bath salt to the spa water.
- Do not leave an empty SPA-pool outside.
- To prevent resetting of the thermal cut out, this appliance must not be supplied through an external switching device, such as a timer, or connected to a circuit that is regularly switched on and off by the utility.



WARNING: Spa installed on inadequately level surfaces are subject to leaking. forming irregularities or collapses. which can result in property damage or serious injury for those in or around the spa area! **CAUTION:** Please choose your set-up area carefully as lawn and other desirable vegetation underneath the ground cloth (if applicable) will die. furthermore, try to avoid setting the ground cloth. areas prone to aggressive plant and weed species, as they may grow trough the ground cloth.

4. Installation

4.1. Site selection

WARNING : Before proceed to installation your spa, please make sure that the future location meets the following conditions:

- A level place in order to avoid any defect, hernia or leakage.
- Wide enough to support the SPA-pool and its pump unit.
- Able to support more than 500 kg/m².
- Sheltered from the sun and bad weather.
- Clean and free from sharp objects.
- Devoid of aggressive vegetation on the ground.

Failure to comply with these rules may result in property damage or personal injury.

regularly switched on
4.2 RCD test



A place with an awning



Clean the place



A level place

WARNING: The RCD plug must be tested before each use. Do not use if RCD test



1. Insert the plug into the power outlet.



2. Press the «RESET» button, the indicator light turns red.



3. Press the «TEST» button, the indicator light turns off.

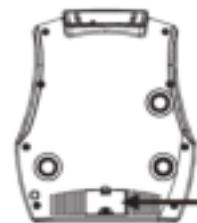


4. Press the «RESET» button, the indicator light turns red. The RCD works properly.

fails

Grounding

You are recommended to use the services of a qualified electrician to ensure that the spa is electrically grounded by using a copper conductor of at least 2.5 mm²



crosssection



5. Assembling



Warning : Do not leave spa unattended while filling with water. Make sure the drain fitting is plugged securely and the cap is in place. Start filling the spa with water. After about 1-inch of water is on the bottom, stop filling and smooth wrinkles out of the bottom of the spa. Pull the outer wall out from the top edge, all around the bottom of the spa, so that it fills evenly. Continue filling the spa until water level.



1) Unfold the inflatable spa over the base protector (Optional)



2) Bring the pump unit to the inflatable spa.



3) Connect the inflation hose to the pump on the socket.



4) Insert the inflation hose into the inflatable spa.



5) Connect the pump unit then press the button to inflate the spa. The air flow valve prevents your spa from over-inflating.



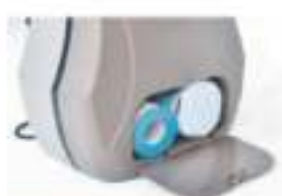
6) Inflate the inflatable spa for about 10 minutes. Ensure that the spa is firmly inflated.



7) Remove the inflation hose and screw the cap firmly in place.



8) Connect the unit pump to the pool using the 3 connectors to screw. Ensure the icons on the pump and the pool match up.



9) Cartridge location as shown.



10) Put the filter cartridge in the support then screw it onto the lower suction inside the basin.



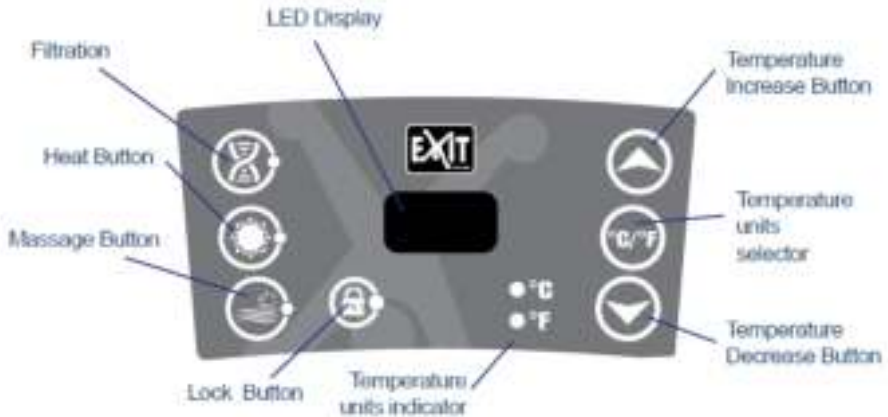
11) Ensure that the drain caps are properly closed before filling the spa.



12) Smooth wrinkles out of the bottom of the spa, then fill the spa to the level indicated. Your spa is ready.

6. Usage

6.1 Control panel



Once powered-up, the LED displays the current water temperature automatically.

The temperature units selector changes the temperature units from Celsius degrees to Fahrenheit degrees.

Press the temperature adjustment buttons, then the screen will flash. When it is flashing, you can set the desired temperature. The value will increase or decrease 1 degree at once. The temperature could be set between 30°C to 40°C (86°F to 104°F).

To lock or unlock the control panel, press the **Lock button** and hold 3 seconds. Lock the control panel when you are away to prevent other people come to change your settings.

Press the message button to activate the bubble message system, the green indicator light turns on. It can be turned off by pressing it again.

Note:

- The message system will stop automatically after 30 minutes of operation. Re-activate the message function by pressing the message button again.
- When filter button is on, pressing bubble button will exchange filter mode into message mode: filter indicator light will turn off and message indicator light turn on. If press the bubble button again, the message mode will be changed back to filter mode.

Press the filter button to activate the water filtration. The green indicator light will turn on when the filtration system is activated.

Note: - If massage function is on, the filtration can't be activated.

Press the heating button to activate water heating and filtering system at the same time. The green indicator light of filter and red indicator light of heating will turn on at same time. The pump does not stop heating until the current water temperature reaches the set temperature; and the heating system will restart after the current water temperature drops 2°C below the set temperature automatically. Maximum heating temperature: 40°C (104°F)

Important:

After 150 cumulative hours of filtration operations, an audible alarm will sound and the LCD display will show the characters CHG, followed by FIL, to remind you to change or clean the filter. You can hold the filtering button 5 seconds to turn off the buzzing. The filtering system will turn off, you can press the button to active the filtering system again.

Note :

- With the heating system starting, the filtration system will start working together.
- After turning off the heating system, the filtration system will still work.
- If the massage function is active, the filtration and heating functions can not be activated.

6.2 SPA-pool cover and security (optional)

After each use, the control panel must be locked and the SPA-pool must be coated with its top cover and it must be attached to the base protector with the safety buckles.

Each safety buckles has a lock system ; closed buckle, the latch in up position locks the buckle, the latch in down position unlocks the buckle.

The top cover keeps the heat from the water and secures the SPA-pool.

6.3. Water maintenance

WARNING: A bad SPA-pool water quality can harm your health.

Depending on the frequency and conditions of use:

- The filter cartridge should be regularly cleaned (150 hours max.).
- The filter cartridge should be replaced every 1 to 2 month.



- The SPA-pool water should be changed every 15 to 30 days. Use a water test kit to control the parameters of the water before using the spa, or at least once a week. Use disinfection products for the spa. The treatment products should be used with caution and it is imperative to refer to their instructions. Damage resulting from improper use of treatment products is not covered by warranty (overdose, shock treatment, ...).

1. Water balance

The water balance (pH) must be maintain between 7 and 7.4.

2. Water Sanitation

To sanitize the SPA-pool water, we suggest using an active oxygen-based treatment or bromine placed in a floating dispenser. (Dispenser sold separately).

7. Maintenance

7.1 Cleaning and replacing filter cartridge

Dirty filter cartridge may contaminate the SPA-pool water and cause damage to the heatingfunction. 1. Unscrew the filter case by turning it counter-clockwise. Take out the filter cartridge from the case. 2. Rinse off the filter cartridge with a garden hose. If the filter cartridge remains dirty and discoloured, the filter cartridge should be replaced. 3. Put back the cleaned filter cartridge into his case and screw it to the SPA-pool.

7.2 Disinfection

Water Sanitation: To sanitize the SPA-pool water, we suggest using an active oxygen-based treatment or bromine placed in a floating dispenser. (Dispenser sold



separately) If water is heavily polluted you should not use SPA-pool. Clean SPA-pool with with specialist UV lighting equipment. Seek professional advice and guidance before doing this.

Attention:

Detergent residues and dissolved solids from bathing suits and chemicals may build up on the spa walls, Use soap and water to clean the walls and rinse thoroughly with a garden hose using a direct powerful waterspray

7.3 Drainage and storage

- 1). Check the stopper on the bottom of the SPA-pool and the drain cap.
- 2). Unscrew the drain cap.
- 3). Remove the stopper on the bottom of the SPA-pool. Completely drain all water from the spa pool.
- 4). Once empty, the SPA-pool can be cleaned with soap and water. Storage
- 5). Press the bubbling button to blow out the water inside the jet holes. Unplug the pump, remove the filter cartridge from the inner wall of the SPA-pool.
- 6). Use a towel to wipe off the SPA-pool, dry 24 hours.
- 7). Unscrew the valves to deflate the SPA-pool.
- 8). Fold the SPA-pool.

It is recommended that store the SPA in its original package in a warm dry place.

7.4. Repair kit

Little holes or puncture can be repaired with the repair kit included and glue reserved to SPA-pool liner.

- 1). Find the leak.
- 2). Thoroughly clean the area surrounding the leak.
- 3). Cut a piece of repair material in round shape, which should be larger than the damaged area.
- 4). Apply adhesive to the underneath side of the patch and around the area to be repaired.
- 5). Put the patch on the damaged area and press down firmly. Allow 12 hours for repair to dry. After patch has dried, apply glue around the edges for a complete



seal (dry 4 hours).

8. Trouble shooting

8.1 Common problems

Here are some useful tips to help you to diagnose and rectify common sources of

Problem	Cause	Solution
Control panel screen does not operate	Check power source	Power failure
		Reset the RCD plug / Check if the wiring system is adapted to the power of the pump unit.
		Call for service if it does not reset
SPA pump does not heat properly	Temperature set is too low	Set to a higher temperature
	Filter Cartridge is dirty	Clean or Replace the cartridge (see chapter 5.2)
	Too low water level	Fill water to minimum water level
Bubble massage system does not work	Heating element defective	Call for service
	Pump is overheating	Cut off the power and wait until the pump has cooled.
	Auto shut-down feature (30min) is activated	Press the bubble button to reactivate
Water filtration does not work	Malfunction of the pump unit	Call for service if it does not reset
	Filter Cartridge is dirty	Clean or Replace the cartridge (see chapter 5.2)
	Inlet and outlet blocked	Clean the inlet and outlet
Pump leakage	Air inside the pump	Fill water to minimum water level
	Malfunction of the pump unit	Call for service if it does not reset
	Adaptor seal improperly	Replace the seal in the right position
Spa pool leakage	Water leakage from pump body	Check the pump body, call for service
	Spa pool is torn or punctured	Use provided repair kit (see chapter 5.4)
Water is not clean	Insufficient filtering time	Increase the filtering time
	Filter Cartridge is dirty	Clean or Replace the cartridge (see chapter 5.2)
	Pool filled water quality	Change the pool water completely
	Improper water treatment	Refer to the chemical manufacturer's instructions
CHG FIL	After 150 cumulative hours of filtration operations, an audible alarm will sound and the LCD display will show the characters CHG, followed by FIL, to remind you to change or clean the filter. You can hold the filtering button 5 seconds to turn off the buzzing. The filtering system will turn off, you can press the button to active the filtering system again.	

trouble.

8.2. Error code

Code	Situation	Problem	Causes	Solutions
E1	Not heating Not heating properly	Wrong temperature control sensor	Temperature control sensor short circuit or open circuit.	Contact service center.
E3	Not heating properly	High water temperature indicator.	1. The filled water is over 45°C (113°F) 2. The filter cartridge was put on the wrong suction fitting (upper suction fitting).	1. Cut off the power, make sure the pool water is between 2°C-44°C(36°F-111°F), if this does not solve the problem, refer to the box below. 2. Put the filter cartridge on the lower suction fitting.
E4	All functions do not work, buzzing warn.	Low water temperature indicator.	The pool water is lower than 2°C (36°F).	-Cut off the power, make sure the pool water is between 2°C-44°C (36°F-111°F) - If this does not solve the problem, refer to the box below
E5	All functions do not work, buzzing warn.	High water temperature indicator.	The filled water is over 50°C (122°F).	-Cut off the power, turn to qualified electrician to reset the thermal cutout described in next paragraph. - If this does not solve the problem, refer to the box below
E6	Not heating and filtering properly. (buzzing warn).	Water pressure is not big enough to activate heating.	Inlet or outlet on inner wall are blocked. Filter cartridge is too dirty. Pool water does not reach minimum water level. (Do not release air from pump. Pump is wrong)	-Clean inlet and outlet -Clean or replace filter cartridge -Add water to reach water level -Do air release as outlined again - If this does not solve the problem, refer to the box below

If the screen displays an error code "Ex", please refer to the table below. E3, E4, E5, **E6 error code**

Cut of electricity for 5 minutes and reconnect.

If error code is still displayed on the control Box, please do the following instrutions:

- 1). Check that the water line is between the high and low limits.
- 2). Clean or replace the filter cartridge.
- 3). Unscrew and clean the 2 nozzles (Entry and exit of water) inside the spa and remove wastes if necessary (Neaf, hairs, fur, skin...)
- 4). Check that the propeller of the filter pump does not contain foreign matter.

Cut the spa again electrically for 5 minutes and re-connect it, if the error code is still displayed on the control box please contact the Service Center.



9. Warranty

EXIT Toys products have been inspected and found free of defects prior to leaving the factory. EXIT Toys warrants this product against defects in material and workmanship for a period of time, 1 year for the pump and 6 months for the liner, unless local law has special requirement. EXIT Toys warrants this product begins on the date of purchase and EXIT Toys requires presentation of the original proof to purchase to ascertain the date. During the warranty period, EXIT Toys will either repair or replace, at its discretion, any defective produces. Replacement products or repaired parts will be warranted for only the unexpired portion of the original warranty.

Shipping cost policy

The return of defect parts to the authorized service center is at the charge of the owner. On warranty period, the return is at the charge of service center.

Warranty policy

This limited warranty does not apply to any defect resulting from negligence, accident, misuse, or other reason beyond EXIT Toys's reasonable control, included but not limited to: normal wear and tear, negligence or failure to follow the product instructions, improper or inadequate maintenance; connection to improper power supply; chemical water damage, loss of SPA-pool water, unauthorized product modification or repair; use for commercial purpose; fire, lightening, flood or other external causes.

This warranty is valid only in the country of purchase in such countries where EXIT Toys sells and services the same model with identical technical specifications. Warranty service outside the country of purchase is limited to the terms and conditions of the corresponding warranty in the country of service. Where the cost of repairs or replacement is not covered by this warranty, EXIT Toys will advise the owners and the cost shall be charged to the owner. This warranty only applies to the original purchaser and terminates upon any transfer of ownership. All repairs of which warranty claims are made must be pre-authorized by a EXIT Toys service center. All the authorized selling dealer is responsible for all in-field service work carried out on your EXIT Toys product. EXIT Toys will not be liable for results of cost of workmanship from unauthorized service person.

Warranty registration

To validate your warranty, please register your product on our website EXIT Toys: [www.EXIT Toys.com](http://www.EXITToys.com). It is essential that all informations including customer name, date of purchase, serial number, spa model are indicated. Without these information the warranty will be invalid.

2.0 Einführung

Glückwunsch zur Wahl des EXIT Toys inflatable spa!

Amüsier dich, sei aktiv und spiele im Freien!

Für diesen Spaß entwickeln wir innovative und hochwertige Spielzeuge für coole Kids.

Wir tun alles in unserer Macht stehende, um sichere Produkte für Kinder zu entwickeln. Da unsere Produkte als Spielzeuge klassifiziert werden, erfüllen wir die strengsten Sicherheitsvorschriften. Bevor unsere Produkte auf dem Markt kommen, veranlassen wir die Durchführung von unabhängigen Prüfungen zur Zertifizierung. Außerdem kontrollieren wir selbst ständig unsere Produktionsabläufe und lassen diese als weitere Kontrolle regelmäßig durch unabhängige Stellen überprüfen. Nur Produkte, die den höchsten EXIT Toys Standards gerecht werden, werden mit dem EXIT Toys Label gekennzeichnet.

Wir danken Ihnen für Ihr Vertrauen in dieses Produkt. Und wir sind sicher, dass Ihre Kinder genau viel Spaß haben werden wie wir ihn während der Entwicklung hatten. Da wir aufgeschlossen sind, schätzen wir wirklich all Ihre Kommentare und Ideen, die uns bei der Verbesserung unserer Produkte bzw. bei der Entwicklung neuer Spielzeuge helfen. Sie sind herzlich eingeladen, uns Ihre Ideen unter info@exittoys.com zu senden.

Besuchen Sie www.exittoys.com und entdecken Sie weitere tolle neue Produkte.

Das EXIT Toys Team

3.0 Sicherheitshinweis



Lesen Sie sich die Informationen in diesem Benutzerhandbuch sorgfältig durch und befolgen Sie sie, bevor Sie den SPA-pool installieren und verwenden. Diese Warnungen, Anweisungen und Sicherheitshinweise beziehen sich auf einige der häufigsten Gefahren, die mit der Erholung von Wasser verbunden sind, sie können jedoch nicht in allen Fällen alle Risiken und Gefahren abdecken. Seien Sie immer vorsichtig, vernünftig und vernünftig, wenn Sie eine Wasseraktivität ausüben. Bitte lesen Sie diese sorgfältig durch und bewahren Sie sie für später auf.



Sicherheit von Nichtschwimmern:

1. Eine kontinuierliche, aktive und wachsame Überwachung schwacher Schwimmer und Nichtschwimmer durch einen kompetenten Erwachsenen ist jederzeit erforderlich (denken Sie daran, dass Kinder unter fünf Jahren das größte Ertrinkungsrisiko haben);
2. Anfänger oder Nichtschwimmer müssen bei der Benutzung des Whirlpools persönliche Schutzausrüstung tragen;
3. Bestimmen Sie einen kompetenten Erwachsenen, der den Wellnessbereich jedes Mal überwacht.
4. Wenn der Whirlpool nicht verwendet wird oder nicht überwacht wird, entfernen Sie alle Spielsachen aus dem Spa und seiner Umgebung, um das Anziehen von Kindern zu vermeiden.



Sicherheitsvorrichtungen:

1. Es wird empfohlen, eine Schranke anzubringen (und ggf. alle Türen und Fenster zu sichern), um zu verhindern, dass Unbefugte den Whirlpool betreten;
2. Barrieren, Poolabdeckungen, Poolalarme oder ähnliche Sicherheitsvorrichtungen sind nützliche Hilfsmittel, sie können jedoch nicht die Aufsicht eines kompetenten Erwachsenen ersetzen.

Sicherheitsausrüstung :

1. Es wird empfohlen, lebensrettende Geräte (z. B. eine Boje) am Rand des Whirlpools aufzubewahren.
2. Halten Sie ein Telefon in der Nähe und rufen Sie eine Liste der Notrufnummern auf.

Sichere Nutzung des Spas:

1. Ermutigen Sie alle Benutzer, insbesondere Kinder, das Schwimmen zu lernen
2. Lernen Sie die Grundlagen der Herz-Lungen-Wiederbelebung (CPR)

und aktualisieren Sie dieses

Wissen regelmäßig. Dies kann im Notfall entscheidend sein

3. Teilen Sie allen Poolbenutzern, einschließlich Kindern, mit, was im Notfall zu tun ist
4. Tauchen Sie niemals in ein flaches Gewässer. Dies kann zu schweren Verletzungen oder zum Tod führen.

5. Verwenden Sie den Whirlpool nicht, wenn Sie Alkohol oder Medikamente konsumieren, die die

sichere Verwendung des Whirlpools beeinträchtigen könnten.

6. Entfernen Sie die Abdeckungen des Whirlpools vor dem Betreten des Whirlpools vollständig von der Wasseroberfläche

7. Schützen Sie die Bewohner des Pools vor wasserbedingten Krankheiten, indem Sie sicherstellen,

dass das Poolwasser entsprechend den Hygienevorschriften behandelt wird. Siehe die Richtlinien zur Wasseraufbereitung in der Bedienungsanleitung

8. Halten Sie Chemikalien (z. B. Wasseraufbereitungs-, Reinigungs- oder Desinfektionsmittel) von Kindern fern.

9. Verwenden Sie die Beschilderung wie unten gezeigt

10. Abnehmbare Leitern müssen auf einer horizontalen Fläche platziert werden.

WARNUNG: Ein trockener Pool im Freien kann unbekannte Risiken verursachen.

WARNUNG: Die Installation und Montage muss von Erwachsenen ausgeführt werden.

WARNUNG: Lesen und befolgen Sie die Betriebs- und Wartungsanweisungen, um die sichere Verwendung des Whirlpools zu gewährleisten. Die Nichtbeachtung der Gebrauchs- und Wartungsanweisungen kann zu ernsthaften Gesundheitsproblemen führen, besonders für Kinder.

WARNUNG: Nur für den Hausgebrauch im Freien.

WARNUNG: Ertrinkungsgefahr. Kinder können bereits in kleinen Wassermengen ertrinken.

WARNUNG: Leeren Sie den Whirlpool, wenn Sie ihn nicht verwenden. Lassen Sie keinen kleinen leeren Pool draußen.

Die Missachtung der Anweisungen in der Bedienung und Wartung können ernsthafte Gefahren für die Gesundheit insbesondere für Ihre Kinder verursachen. Die Sicherheit Ihrer Kinder liegt in Ihrer Verantwortung! Das Risiko ist für Kinder unter 5 Jahren besonders groß. Seien Sie deshalb wachsam.

Befolgen Sie die folgenden Anweisungen:

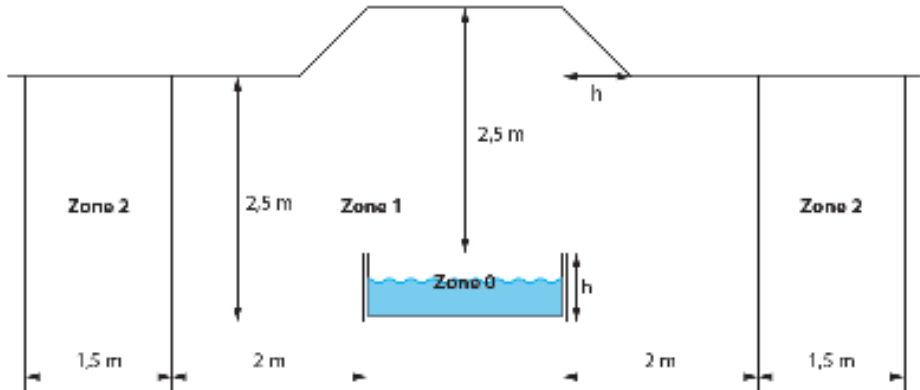
- die Aufsicht der Kinder muss dauerhaft sein;
- benennen Sie eine Person, die für die Sicherheit verantwortlich ist;
- verstärken Sie die Aufsicht, wenn sich mehrere Benutzer im Spa befinden;
- bringen Sie Ihren Kindern das Schwimmen bei;
- befeuchten Sie Ihren Hals sowie Ihre Arme und Beine vor dem Einstieg ins Wasser;
- vereinbaren Sie Sicherheits-Zeichen, insbesondere für Kindern;
- verbieten Sie Tauchen und Springen;
- verbieten Sie in der Nähe des Spas zu rennen oder wild zu toben.
- lassen Sie Kinder, die nicht schwimmen können, im Spa nie unbeaufsichtigt und nicht ohne Schwimmwesten;
- alle Personen rund um und im Becken nicht unbeaufsichtigt lassen;
- halten Sie immer das Wasser sauber;

- bewahren Sie Wasseraufbereitungs-Produkte außerhalb der Reichweite von Kindern auf.
- platzieren Sie Ihr Telefon in der Nähe des Pools, sodass Sie weiterhin Kinder beaufsichtigen können, wenn Sie telefonieren.

Wenn ein Unfall passiert:

- nehmen Sie das Kind aus dem Wasser so schnell wie möglich;
- holen Sie sofort Hilfe und folgen Sie den Anweisungen, die Ihnen vom Hilfspersonal gegeben werden;
- ersetzen Sie nasse Kleidung durch warme Decken.

Die Elektrik des Spas muss in den elektrischen Sicherheitszonen 1,2 oder außerhalb aller Sicherheitszonen installiert werden. Die gemessenen Zonen werden durch Mauern und Trennwände begrenzt.



Zu Ihrer eigenen Sicherheit und die Ihres Produktes befolgen Sie bitte die untenstehenden Vorsichtsmaßnahmen. Eine falsche Handhabung könnte zu ersten Verletzungen, beschädigtem Eigentum oder sogar zum Tod führen. Eine unsachgerechte Installation führt automatisch zum Verlust der Gewährleistung. Lesen, verstehen und bewahren Sie die Hinweise auf.

GEFAHR

Gefahr des zufälligen Ertrinkens

- Äußerste Vorsicht muss geboten werden, um einen unerlaubten Zugang durch Kinder zu verhindern.
- Untersuchen Sie die Whirlpool-Abdeckung regelmäßig auf Lecks, vorzeitigen Verschleiß sowie Schäden und Anzeichen von Verschleiß. Verwenden Sie nie eine abgenutzte oder beschädigte Abdeckung.
- Schließen Sie die Abdeckung nach jedem Gebrauch.

Gefahr der Verletzung

- Wenn das Netzkabel beschädigt wird, muss dieses durch den Hersteller, einen Serviceagenten oder ähnlich

qualifizierte Personen ersetzt werden.

Gefahr des Stromschlags

- Erlauben Sie keine elektrischen Geräte wie Licht, Telefon, Radio oder Fernsehen innerhalb von 1.5m.

- Verwenden Sie den Whirlpool nicht, wenn es regnet, donnert oder blitzt.

WARNUNG

- Um das Risiko eines Stromschlags zu reduzieren, verwenden Sie kein Verlängerungskabel, um das Gerät an den Strom anzuschließen. Eine richtig platzierte Anschlussdose ist unabdingbar.

- Das Spa wird mit einem Fehlerstromschutzschalter (RCD) geliefert, welcher den Bemessungsfehlerstrom 10mA nicht überschreitet.

- Komponenten, welche unter Spannung stehen, ausgenommen Teile mit Schutzkleinspannung unter 12V, müssen unzugänglich für Benutzer des Whirlpools sein.

- Geräte mit elektrischen Komponenten, mit Ausnahme des Motorblocks, müssen befestigt beziehungsweise außer Reichweite gehalten werden, sodass sie nicht in den Whirlpool fallen können.

- Der Sicherungskasten muss mit einem Abstand von mindestens 3.5m vom Whirlpool aufbewahrt werden.

- Elektrische Installationen müssen den lokalen Anforderungen beziehungsweise Standards entsprechen.

- Die Bedienung des Motorblocks kann von Kindern ab 8 Jahren unter Aufsicht eines Erwachsenen durchgeführt werden. Wichtig ist jedoch eine angemessene Aufsicht oder Anweisung über die Verwendung des Whirlpool sowie eine Aufklärung über alle Gefahren. Kinder dürfen nicht mit dem Whirlpool spielen. Reinigungen nur unter Aufsicht eines Erwachsenen.

- Um das Risiko oder Verletzungen zu verringern, erlauben Sie den Kindern die Verwendung des Whirlpools nur unter Aufsicht.

- Beaufsichtigen Sie die Kinder rund um den Whirlpool, um das Risiko des Ertrinkens zu reduzieren. Sperren Sie

das Spa nach jedem Gebrauch mit der Abdeckung ab.

- Stellen Sie sicher, dass der Untergrund in der Lage ist, die erwartete Last aufzufangen ($\geq 500\text{kg/m}^2$).

- Ein ausreichendes Entwässerungssystem muss für das überlaufende Wasser vorhanden sein.

- Gerät zur Vermeidung von Schäden nicht längere Zeit leer lassen.

- Damit es nicht zu Beschädigungen der Pumpe kommt, darf der SPA-Pool niemals eingeschaltet werden, solange sich kein Wasser darin befindet.

- Verlassen Sie den SPA-Pool sofort, falls Sie sich unwohl oder schläfrig fühlen sollten.

- Um das Risiko von Verletzungen zu verhindern :

- Niedrigere Wassertemperaturen werden empfohlen für kleine Kinder und bei einer Nutzung über 10 Minuten.

Generell wird empfohlen, die durchschnittliche Wassertemperatur des Whirlpools 40°C (104°F) nicht überschreiten zu lassen.

- Bei schwangeren Frauen sollte die Wassertemperatur bei 38°C (100°F) begrenzt werden. Bitte suchen Sie vor

Benutzung des Spas Ihren Arzt auf und Besprechen Sie eventuelle Gefahren.

- Vor dem Eintritt in das Wasser, sollten Sie die Temperatur messen. Die Temperatur kann gemäss Programmierung um ein paar Grad variieren.

- Die Verwendung von Alkohol, Drogen oder Medikamenten vor oder während der Benutzung des Whirlpools kann zu Bewusstlosigkeit und möglicherweise Ertrinken führen.
- Die Verwendung von Alkohol, Drogen oder Medikamenten kann erheblich das Risiko einer Hyperthermieerhöhen.
- Die Ursachen und Symptome von Hyperthermie können wie folgt beschrieben werden : Hyperthermie tritt auf, wenn die Innentemperatur des Körpers mehrere Grad über der normalen Körpertemperatur 37°C (98,6°F) erreicht. Die Symptome sind eine erhöhte Körpertemperatur, Schwindel, Lethargie, Benommenheit und Ohnmacht.
- Übergewichtige Personen, Personen mit Herzkrankheiten, niedrigem oder hohem Blutdruck, Kreislaufproblem oder Diabetes sollten vor der Benutzung des Whirlpools Ihren Arzt konsultieren.
- Personen, welche Medikamente zu sich nehmen, sollten ebenfalls einen Arzt vor der Benutzung des Whirlpools kontaktieren.
- Konsultieren Sie generell bei Beeinträchtigungen Ihren Arzt vor der ersten Verwendung. Insbesondere wenn Sie Schwanger, Diabetiker, bei schlechter Gesundheit oder unter ärztlicher Betreuung sind.
- Menschen mit Infektionskrankheiten sollten keinen Spa oder Whirlpool benutzen.
- Vermeidung von Verletzungen: Vorsicht beim Einsteigen in das Spa.
- Wassertemperatur von über 40°C (104°F) kann schädlich für Ihre Gesundheit sein.
- Verwenden Sie niemals ein
- Spa alleine oder erlauben sie Anderen nie, den Spa alleine zu verwenden.
- Verwenden Sie kein Spa oder Whirlpool unmittelbar nach anstrengenden Übungen.
- Achtung, bei Aussentemperaturen unter 0° Grad (32° F) kann das Wasser gefrieren.
- Keine Gewährleistung.
- Gießen Sie niemals Wasser mit einer Temperatur von über 40°C (104°F) direkt in den - Spa.
- Trennen Sie immer das Gerät von der Steckdose, bevor Sie es Reinigen, entfernen oder warten.
- Springen oder Tauchen Sie nie in einen Spa.
- Das Kabel nie vergraben. Das Kabel muss gut ersichtlich sein, damit Rasenmäher oder andere Gartenwerkzeuge dies nicht beschädigen.
- Versuchen Sie nicht, den Netzstecker zu ziehen, wenn Sie sich im Spa befinden, oder nasse Hände haben.
- Falls ein Spa bei der Lieferung beschädigt ist, diesen bitte nicht benutzen.
- Tiere von Spas fernhalten.
- Kein Badeöl oder Badesalz zum Spa Wasser zugeben.

4. Installation



Warnung: Der Whirlpool, der auf nicht ausreichend ebenen Oberflächen installiert ist, ist undicht. Unregelmäßigkeiten bilden oder zusammenfallen. Dies kann zu Schäden oder schweren Verletzungen führen, die sich im oder im Spa-Bereich befinden. **Achtung:** Bitte wählen Sie Ihren Aufstellungsbereich sorgfältig aus, da Rasen und andere wünschenswerte Vegetation unter dem Bodentuch (falls vorhanden) sterben werden. Vermeiden Sie außerdem, das Bodentuch in Bereichen zu lagern, die zu aggressiven Pflanzen- und Unkrautarten neigen, da diese durch das Bodentuch wachsen können.

4.1. Auswahl des Aufstellungsortes

ACHTUNG: Bevor Sie Ihren Spa installieren, stellen Sie bitte sicher, dass der künftige Aufstellort die folgenden Bedingungen erfüllt :

- Ein ebener Boden.
- Genug Breite, um die Wanne und den Motorblock aufzustellen.
- Der Untergrund kann mehr als 500 kg/m² tragen.
- Der Aufstellort ist vor Sonne und schlechtem Wetter geschützt.
- Sauber und frei von Unrat.
- Keine aggressive Vegetation auf dem Boden.

Die Nichteinhaltung dieser Regeln kann zu Sachschäden oder Verletzungen führen.



Ein wettergeschützter Ort



Eine saubere Fläche



Ein ebener Boden

4.2 Differenzialschutzprüfung

WARNUNG: Der FI-Schalter muss vor jeder Nutzung getestet werden. Wird der Test des FI-Schalters nicht bestanden, dürfen Sie den Spa nicht benutzen.



1. Verbinden Sie den Stecker mit der Steckdose.



2. Drücken Sie die Reset-Taste, die Anzeige leuchtet auf.



3. Drücken Sie die Test-Taste, die Anzeige erlischt.



4. Drücken Sie die Reset-Taste, die Anzeige leuchtet auf. Der FI-Stecker ist einsatzbereit.

Erdungsanschluss

Es wird empfohlen einen qualifizierten Elektriker damit zu beauftragen, die Pumpe des Spa mit einer Polklemme mit Potentialausgleich zu verbinden (Erdungsanschluss), indem ein Kupferleiter von mindestens 2,5 mm² benutzt wird.

5. Montage



1) Entfalten Sie die aufblasbare Wanne. (fakultativ)



2) Nehmen Sie den Motorblock und Aufpumpschlauch und positionieren sie diese neben der aufblasbaren Wanne.



3) Schließen Sie ein Ende des Aufpumpschlauchs am Motorblock an.



4) Schließen Sie das andere Ende des Aufpumpschlauchs an die aufblasbare Wanne an.



5) Verbinden Sie den Motorblock und drücken Sie die Taste um die Wanne aufzublasen. Die Luftdüse verhindert ein zu starkes Aufblasen.



6) Pumpen Sie das Spa ca. 10 Minuten auf. Stellen Sie sicher, dass das Spa fest aufgeblasen ist.



7) Entfernen Sie den Füllschlauch und schließen Sie das Luftventil.



8) Verbinden Sie den Motorblock mit dem Spa mit den drei Schraubverbindungen



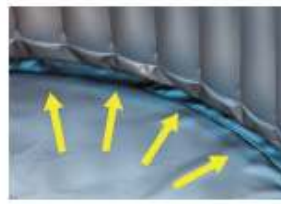
9) Kartuschenposition wie abgebildet.



10) Legen Sie die Filterpatrone in die Halterung und schrauben Sie sie dann auf die untere Ansaugung im Becken.



11) Prüfen Sie den Stöpsel am Beckenboden sowie die Abflusskappe und stellen sicher, dass beide dicht sind.



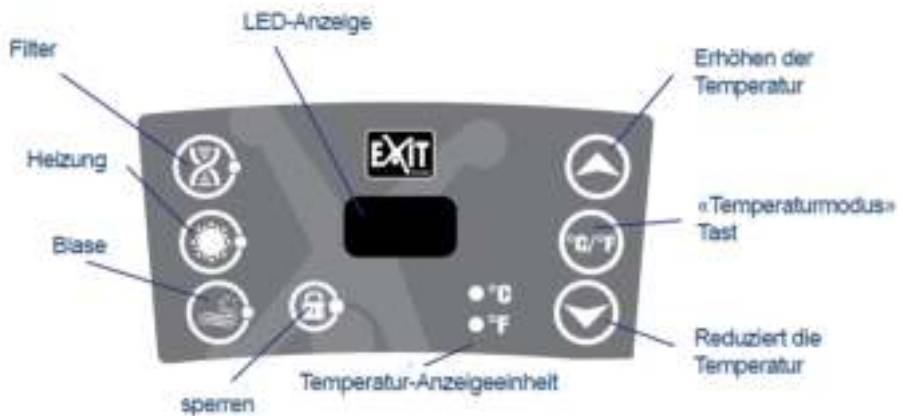
12) Strecken Sie die Unterseite des Spa, um Faltenbildung zu vermeiden, und füllen Sie dann das Spa bis zur angegebenen Höhe. Ihr Spa ist fertig.



ACHTUNG: Lassen Sie den Whirlpool nicht unbeaufsichtigt, wenn Sie ihn mit Wasser füllen. Stellen Sie sicher, dass der Abflussanschluss richtig angeschlossen ist und die Kappe angebracht ist. Füllen Sie den Whirlpool mit Wasser. Stoppen Sie nach ca. 10 cm Wasser das Füllen und entfernen Sie Falten vom Boden des Whirlpools. Ziehen Sie die Außenwand von der Oberkante rund um die Unterseite des Whirlpools. Füllen Sie den Whirlpool weiter bis zum maximalen Wasserstand auf.

6. Nutzung

6.1 Schalttafel



6.2 Nutzung

Sobald das Gerät eingeschaltet ist, zeigt die LED-Anzeige die aktuelle Wassertemperatur.

Temperaturmodus“-Taste: Durch Drücken dieser Taste wechseln Sie zwischen Celsius- und Fahrenheit-Modus hin und her.

Die Temperatureinstellungstasten zum Ändern der Heizungssolltemperatur. Die Temperatur kann eingestellt werden zwischen 30°C und 40°C (86°F und 104°F).

Um das Bedienefeld des Motorblocks zu sperren und entsperren, drücken Sie die Lock-Taste für 3 Sekunden.

Verriegeln Sie das Bedienefeld bitte während Ihrer Abwesenheit, damit Ihre Einstellungen nicht von Anderen geändert werden können.

Aktiviert die Massagefunktion. Dies sehen Sie an der grünen Lichtanzeige.

Hinweis:

- Die Massagefunktion schaltet sich automatisch nach 30 Minuten ab. Um Sie wieder anzuschalten, drücken Sie erneut die Massage-Taste.

- Wenn die Filtertaste aktiv ist, wechseln Sie durch Betätigung der Massage-Taste vom Filter in den

Massagemodus: Die Filterlichtanzeige schaltet sich aus und die Massagelichtanzeige ein. Wenn Sie die Massage-Taste erneut drücken, wechseln Sie vom Massagemodus zurück in den Filtermodus.

Aktiviert das Filtersystem. Diese Taste schaltet die Filterpumpe ein und aus. Bei aktiviertem Filtersystem schaltet sich die grüne Lichtanzeige ein.

Hinweis:

- Wenn die Massagefunktion aktiviert ist, kann die Filterfunktion nicht aktiviert werden.

Aktiviert das Heiz- und gleichzeitig das Filtersystem Zum gleichzeitigen Aktivieren von Heiz- und Filtersystem drücken. Die grüne Lichtanzeige des Filters und die rote Lichtanzeige der Heizung schalten sich beide gleichzeitig ein. Die Pumpe heizt das Badebecken solange auf, bis die Wassertemperatur die eingestellte Temperatur erreicht hat; das Heizsystem setzt sich wieder in Betrieb, wenn die aktuelle Wassertemperatur auf unter 2°C der eingestellten Temperatur abfällt. Max. Heiztemperatur: 40°C (104°F)

Wichtig:

Nach 150 stündiger Betriebsdauer des Filters ertönt eine Alarm und die LCD-Anzeige zeigt CHG und anschließend FIL an, um Sie daran zu erinnern, den Filter zu reinigen. Sie können den Signalton abschalten, indem Sie die Filtertaste 5 Sekunden gedrückt halten. Das Filtersystem schaltet sich ab; Sie können das Filtersystem mit der Taste wieder aktivieren.

Hinweis:

- Falls das Heizsystem aktiviert ist, startet das Filtersystem automatisch. Dies ist normal!

- Nach Abschalten des Heizsystems hört das Filtersystem auf zu arbeiten. Dies ist normal!

- Wenn die Massagefunktion eingeschaltet ist, kann sowohl die Filter- und Heizfunktion aktiviert werden.aktiviert werden

6.3. Abdeckung & Sicherheit (fakultativ)

Nach jedem Gebrauch muss das Bedienfeld gesperrt, die Abdeckhaube übergezogen und diese an der Bodenplane mit den Sicherheitsschlaufen befestigt werden.

Jede Sicherheitsschlaufe ist mit einem Verriegelungssystem ausgestattet:

Verschluss nach open = verriegeln, Verschluss nach unten = entriegeln.

Die Abdeckung des Whirlpools hält die Wärme des Wassers im Pool und schützt den Whirlpool.



7. Pflege

7.1. Wasserpflege

ACHTUNG: Eine schlechte Wasserqualität im Badebecken kann Ihre Gesundheit schädigen. Je nach Frequenz und Nutzungsbedingungen:

- Die Filterkartusche muss regelmäßig gereinigt werden (nach 150h max.).
- Die Filterkartusche muss alle 1-2 Monate getauscht werden.
- Das Wasser des Beckens sollte alle 15 bis 30 Tage getauscht werden.

Rüsten Sie sich mit einem Test-Kit aus, um die Wasserwerte vor jeder Nutzung des Spas oder zumindest einmal pro Woche zu überprüfen.

Bitte verwenden Sie Desinfektionsmittel für den Wellnessbereich. Die Produkte für die Behandlung sollten mit Vorsicht verwendet werden.

Schäden durch unsachgemäße Anwendung derartiger Produkte sind nicht von der Garantie (Überdosis, Schockbehandlung, ...) abgedeckt.

1). Ausgewogenheit des Wassers

Der pH Wert sollte sich zwischen 7 und 7.4 bewegen.

2). Wasserhygiene

Wir empfehlen zum Desinfizieren des Beckenwassers den Gebrauch von Brom-Tabletten oder Active-Oxygen in unserem chemischen Schwimmer (Der chemische Schwimmer muss separat erworben werden).

7.2. Filterkartusche reinigen/austauschen

Eine schmutzige Filterkartusche kann das Wasser im Becken verschmutzen und die Heizung beschädigen.

1. Lösen Sie den Deckel des Filtergehäuses durch Drehen gegen den Uhrzeigersinn.

Nehmen Sie die Filterkartusche aus der Abdeckung.

2. Spülen Sie die Filterkartusche mit einem Gartenschlauch ab. Bringen Sie die Kartusche dann wieder in der Abdeckung an und verwenden Sie sie weiter. Falls sich die Filterkartusche nicht reinigen lässt oder sich verfärbt hat, sollte sie ersetzt



7.3. Wasser ablassen und Lagerung

Ablassen von Wasser

1). Prüfen Sie den Stöpsel am Beckenboden sowie die Abflusskappe.

2). Lösen Sie die Abflusskappe durch Drehen.

3 Entfernen Sie dann den Stöpsel am Beckenboden. Lassen Sie das gesamte Wasser aus dem SPA-Pool.

4). Sobald entleert, kann der Tank mit Wasser und Seife gereinigt werden.

Lagerung

5). Drücken Sie die Massage-Taste zum Herausblasen des Wassers aus den Düsenlöchern. Trennen Sie den Motorblock und entfernen die Filterkartusche aus der Innenwand des Pools.

6). Wischen Sie das Becken mit einem Handtuch ab und lassen es 24 Stunden trocknen.

7). Lösen Sie die Ventile zum Ablassen der Luft aus dem Pool.

8). Legen Sie den Spa sorgfältig zusammen.

Wie empfohlen, den Spa in seiner Originalverpackung an einem warmen, trockenen Ort aufzubewahren.



7.4. Reparaturen

Kleine Löcher oder Einstiche können mit dem Reparaturset repariert werden das Sie zusammen mit dem Spa erhalten. Der Klebstoff ist aus gesetzlichen Gründen nicht im Lieferumfang enthalten.

1). Finden Sie das Leck.

2). Reinigen Sie den Bereich rund um das Leck gründlich.

3). Schneiden Sie einen runden Flicker aus dem Reparaturmaterial zurecht, der größer sein muss als die beschädigte Stelle.

4). Tragen Sie Klebstoff auf der Unterseite des Flickens und um die zu reparierende Stelle auf.

5). Legen Sie den Flicker auf die beschädigte Stelle und drücken ihn dort fest an.

Warten Sie 12 Stunden bis 24 Stunden, bis der Flicker fest angetrocknet ist. Ist der Flicker angetrocknet, tragen Sie für eine komplette Abdichtung Klebstoff rings um den Flickerand herum auf (4 Stunden trocknen lassen).

8. Probleme und Lösungen

Nachstehend finden Sie einige nützliche Tipps, mit denen Sie viele allgemeine Probleme auch selbst beheben können.

Probleme	Ursachen	Lösungen
Motorblock-Anzeige leuchtet nicht	Stromquelle prüfen	Stromausfall
		FVRCD rücksetzen, überprüfen, ob die Verkabelung nicht mit 1540 W belastet werden kann.
		Bei andauerndem Fehler Kundendienst kontaktieren
SPA-Pumpe heizt nicht richtig auf	Zu niedrige Temperatur eingestellt	Eine höhere Temperatur einstellen
	Filterkartusche verschmutzt	Filterkartusche reinigen/ersetzen (vergleiche Kapitel 5.2)
	Wasserstand zu niedrig	Wasser mindestens bis zur Minimalmarkierung einfüllen
	Heizelement ausgefallen	Kundendienst kontaktieren
Sprudelmassage-system funktioniert nicht	Pumpe überhitzt	Stromversorgung unterbrechen. Hat sich die Pumpe wieder abgekühlt, Stecker anschließen und Sprudeltaste drücken, um diese Funktion zu aktivieren.
	Funktion zum automatischen Ausschalten nach 30 Minuten aktiviert. Etwas stimmt nicht mit dem Bediengerät	Sprudeltaste drücken, um diese Funktion erneut zu aktivieren. Bei andauerndem Fehler Kundendienst kontaktieren.
Wasserfiltration funktioniert nicht	Verschmutzte Filterkartusche	Filterkartusche reinigen/ersetzen (vergleiche Kapitel 5.2)
	Einlass oder Auslass blockiert	Ein- und Auslass reinigen
	Pumpe nicht entlüftet Etwas stimmt nicht mit dem Bediengerät	Wie beschrieben entlüften Bei andauerndem Fehler Kundendienst kontaktieren
Wasser läuft aus der Pumpe aus	Adapter nicht richtig dicht	Dichtung richtig einsetzen
	Wasser läuft aus dem Pumpengehäuse aus	Pumpengehäuse überprüfen, an den Kundendienst wenden.
Wasser läuft aus dem Pool aus	Pool eingerissen oder durchstoßen	Beschädigung mit dem mitgelieferten Reparaturkit wie zuvor beschrieben reparieren (vergleiche Kapitel 5.4)
Wasser nicht sauber	Unzureichende Filterzeit	Länger und häufigere Filterkontrolle
	Verschmutzte Filterkartusche	Filterkartusche reinigen/ersetzen (vergleiche Kapitel 5.2)
	Wasser minderer Qualität eingefüllt	Pool-Wasser komplett austauschen
	Falsche Wasseraufbereitung	Beachten Sie die Anweisungen des Chemikalienherstellers.
CHG FIL	Nach 150 stündiger Betriebsdauer des Filters ertönt eine Alarm und die LCD-Anzeige zeigt CHG und anschließend FIL an, um Sie daran zu erinnern, den Filter zu reinigen. Sie können den Signalton abschalten, indem Sie die Filtertaste 5 Sekunden gedrückt halten. Das Filtersystem schaltet sich ab; Sie können das Filtersystem mit der Taste wieder aktivieren.	

8.2 Errorcode

Wenn der Bildschirm zeigt einen Fehlercode "ex" finden Sie in der untenstehenden Tabelle. Wichtige Sicherheitshinweise – alle Hinweise lesen und befolgen.

Code	Situation	Problem	Ursachen	Lösungen
E1	Kein Aufheizen, zu schwaches Aufheizen	Falscher Temperaturkontrollsensor	Kurzschluss oder offener Kreislauf des Temperaturkontrollensors	Kontaktieren Sie das Servicecenter.
E3	Zu schwaches Aufheizen	Hohe Wassertemperatur wird angezeigt	1. Die Temperatur des eingefüllten Wassers übersteigt 45°C 2. Die Filterpatrone wurde auf den falschen Sauganschluss gewechselt (höherer Sauganschluss)	1. Stromversorgung unterbrechen; sicherstellen, dass das Wasser im Becken zwischen 2°C und 44°C liegt. Wenn das Problem dadurch nicht behoben wird, beachten Sie das folgende Feld. 2. Setzen Sie die Filterpatrone auf den unteren Sauganschluss.
E4	Alle Funktionen arbeiten nicht, Alarmton	Geringe Wassertemperatur wird angezeigt	Die Temperatur des eingefüllten Wassers liegt unter 2°C	Stromversorgung unterbrechen; sicherstellen, dass das Wasser im Becken zwischen 2°C und 44°C liegt. Wenn das Problem dadurch nicht behoben wird, beachten Sie das folgende Feld.
E5	Alle Funktionen arbeiten nicht, Alarmton	Hohe Wassertemperatur wird angezeigt	Die Temperatur des eingefüllten Wassers übersteigt 50°C	Stromversorgung unterbrechen, thermische Sicherung von qualifiziertem Elektriker rücksetzen lassen; siehe nächster Abschnitt. Wenn das Problem dadurch nicht behoben wird, beachten Sie das folgende Feld.
E6	Schwache Aufheizung und Filterung, Signalton	Wasserdruck ist nicht groß genug zur Aktivierung des Aufheizers	Ein- oder Auslass an der Innenwand blockiert; Filterkartusche zu verschmutzt; Wasser im Becken erreicht nicht Mindestwasserstand; Pumpe nicht entlüftet, Pumpe fehlerhaft	Ein- und Auslass reinigen; Filterkartusche reinigen oder ersetzen. Wasser bis zum Mindestwasserstand einfüllen. Pumpe wie beschrieben erneut entlüften. Wenn das Problem dadurch nicht behoben wird, beachten Sie das folgende Feld.

Behebung des E3, E4, E5, E6

- Schalten Sie den Whirlpool elektrisch aus, indem Sie die Differentialbuchse deaktivieren und die Steckdose 5 Minuten lang ausstecken und alles wieder anschließen.
- Wenn der Fehlercode weiterhin auf der Steuerbox angezeigt wird, gehen Sie bitte folgendermaßen vor:
 - 1 - Überprüfen Sie, ob die Wasserlinie zwischen den oberen und unteren Grenzen liegt.
 - 2 - Reinigen oder ersetzen Sie die Filterpatrone.
 - 3 - Schrauben und reinigen Sie die 2 Düsen (Absaugen und Ausstoßen), die sich im Spa befinden, und extrahieren Sie bei Bedarf alle Fremdkörper (Blätter, Haare, Haare, abgestriebene Haut ...)
 - 4 - Prüfen, dass der Propeller der Filterpumpe keinen Fremdkörper enthält.
- Schneiden Sie den Whirlpool erneut elektrisch für 5 Minuten aus und schließen Sie ihn erneut an. Falls der Fehlercode weiterhin auf der Steuerbox angezeigt wird.

9.2. Gewährleistung

Wichtige Sicherheitshinweise – alle Hinweise lesen und befolgen. Befolgen Sie zur Ihrer Sicherheit und der Ihres Produktes dringend die nachstehenden Sicherheitshinweise. Bei Nichtbefolgung der Hinweise drohen ernsthafte oder sogar tödliche Verletzungen und Sachschäden. Unsachgemäße Installation oder Bedienung lassen die Garantie erlöschen. EXIT Toys-Produkte wurden vor Verlassen des Werkes geprüft und als fehlerfrei befunden. EXIT Toys garantiert, dass dieses Produkt über einen bestimmten Zeitraum frei von Material- und Verarbeitungsfehlern ist, 1 Jahr bei der Pumpe und 6 Monate bei der Auskleidung, sofern die örtliche Gesetzgebung keine besonderen Anforderungen vorsieht. Die Garantie von EXIT Toys beginnt mit dem Kaufdatum. Zur Inanspruchnahme der Garantie müssen Sie EXIT Toys den Originalkaufbeleg mit Kaufdatum vorzeigen. Während der Garantie-dauer werden defekte Produkte von EXIT Toys in eigenem Ermessen entweder repariert oder ersetzt. Ersatzprodukte oder reparierte Teile unterliegen der verbleibenden Dauer der ursprünglichen Garantie.

Richtlinie zu Versandkosten

Die Rückgabe defekter Teile an das autorisierte Kundencenter erfolgt auf Kosten des Eigentümers. Im Garantiezeitraum übernimmt das Kundencenter den Rückversand.

Garantierichtlinie

Diese eingeschränkte Garantie gilt nicht, falls der Mangel durch Fahrlässigkeit, Unfall, Missbrauch oder andere außerhalb der angemessenen Kontrolle von EXIT Toys liegende Faktoren bedingt wurde; dazu zählen unter anderem: Normaler Verschleiß, Missachtung oder Nichtbefolgung der Produkthanweisungen, unsachgemäße oder fehlerhafte Wartung, Anschluss an eine ungeeignete Stromversorgung, chemische Wässerschäden, Verlust von Poolwasser, unautorisierte Produktänderungen oder reparaturen, Einsatz für kommerzielle Zwecke, Brand, Blitzschlag, Überschwemmung oder andere äußere Ursachen. Diese Garantie gilt nur im Kaufland und nur in Ländern, in denen EXIT Toys dasselbe Modell mit identischen technischen Daten verkauft und entsprechenden Service anbietet. Der Garantieservice außerhalb des Kauflandes ist auf die Vertragsbedingungen der jeweiligen Garantie des Servicelandes begrenzt. Sofern die Kosten für Reparatur oder Austausch nicht durch diese Garantie abgedeckt werden, informiert EXIT Toys den Eigentümer und die Kosten sind vom Eigentümer zu tragen. Diese Garantie gilt nur für den Erstkäufer und endet bei Übertragung der Eigentümerschaft. Alle Reparaturen im Rahmen der Garantie müssen vorab von einem EXIT Toys -Kundencenter autorisiert werden. Alle autorisierten Händler sind für alle Außendienstarbeiten an Ihrem EXIT Toys -Produkt verantwortlich. EXIT Toys haftet nicht für die Arbeitskosten von unautorisiertem Personal.

Garantieregistrierung

Damit Ihre Garantie gültig wird, registrieren Sie Ihr Produkt bitte auf unserer EXIT Toys -Webseite unter www.EXITToys.com. Dabei müssen Sie unbedingt alle Informationen, wie Kundennamen, Kaufdatum, Seriennummer und Spa-Modell, angeben. Ohne diese Informationen wird die Garantie ungültig.

2.0 Introductie

Gefeliciteerd met de aanschaf van uw inflatable spa van EXIT Toys!

Pret maken, actief leven en buiten spelen.....

Dat is onze motivatie om innovatief en kwalitatief speelgoed te ontwikkelen voor coole kinderen.

We doen er alles aan om producten te ontwikkelen die veilig zijn voor kinderen. Aangezien onze producten worden geclassificeerd als speelgoed, voldoen we aan de strengste normen op het vlak van consumentveiligheid. Voordat we een product op de markt brengen, laten we onafhankelijke tests uitvoeren voor de vereiste certificaten. We voeren ook voortdurend controles uit tijdens de productie en we laten regelmatig nieuwe onafhankelijke tests uitvoeren als extra controle. Enkel de producten die voldoen aan de strengste normen van EXIT Toys krijgen het EXIT Toys merk.

Wij stellen het zeer op prijs dat u bij ons klant bent en danken u voor het vertrouwen in dit product. We zijn er zeker van dat uw kinderen evenveel van dit product zullen genieten als wij tijdens de ontwikkeling ervan. Omdat we open staan voor uw mening, zijn uw opmerkingen en ideeën steeds welkom zodat we onze producten nog kunnen verbeteren en nieuwe kunnen ontwikkelen. Neem daarom gerust contact op via info@exittoys.com.

Bezoek de wereld van EXIT Toys op www.exittoys.com en ontdek ook onze andere stoere en nieuwe buitenspeel producten.

Het team van EXIT Toys

3.0 Veiligheidsvoorschriften



Zorg dat u de alle informatie in deze handleiding leest, begrijpt en naleeft voordat u het zwembad installeert en gebruikt. Deze waarschuwingen, instructies en veiligheidsrichtlijnen hebben betrekking op enkele algemene risico's van recreatie in het water, maar kunnen niet alle risico's en gevaren in alle gevallen dekken. Let altijd goed op, gebruik uw gezond verstand en goed oordeel wanneer u geniet van wateractiviteiten. Bewaar deze informatie voor toekomstig gebruik.



Veiligheid voor niet-zwemmers

- 1). Doorlopende, actieve en waakzame supervisie van zwakke zwemmers en niet-zwemmers door een competente volwassene is op elk ogenblik vereist (denk eraan dat kinderen jonger dan vijf jaar het grootste risico's op verdrinking lopen);
- 2). Wijs een competente volwassene aan om bij elk gebruik toezicht te houden op het SPA-zwembad;
- 3). Zwakke zwemmers of niet-zwemmers moeten een persoonlijke beschermisuitrusting dragen bij het gebruik van het SPA-zwembad;
- 4). Wanneer het SPA-zwembad niet in gebruik is of niet onder toezicht staat, verwijdert u al het speelgoed uit het SPA-zwembad en de omgeving ervan om te vermijden dat kinderen naar het SPA-zwembad worden getrokken.



Veiligheidsapparaten

- 1). Het is aanbevolen een barrière te installeren (en alle deuren en vensters te sluiten, waar dat van toepassing is) om onbevoegde toegang tot het SPA-zwembad te voorkomen;
- 2). Barrières, SPA-zwembadafdekkingen, zwembadalarmeren of soortgelijke veiligheidsapparaten zijn nuttige hulpmiddelen, maar ze zijn geen vervanging voor doorlopend en competent toezicht door volwassenen.

Veiligheidsuitrusting

- 1). Het is aanbevolen reddingsapparatuur (bijv. een zwemband) bij het SPA-zwembad te houden;
- 2). Houd een werkende telefoon en een lijst met noodnummers dicht bij het SPA-zwembad.

Veilig gebruik van het SPA-zwembad

- 1). Moedig alle gebruikers, vooral kinderen, aan om te leren zwemmen;
- 2). Leer eerste hulp (reanimatie - CPR) en fris deze kennis regelmatig op. Dit kan een levensreddend verschil maken bij noodgevallen;
- 3). Leer alle gebruikers van het SPA-zwembad, inclusief kinderen,



wat ze moeten doen bij noodgevallen;

- 4). Duik nooit in een ondiep deel van het water. Dit kan ernstig letsel of overlijden veroorzaken;
- 5). Gebruik het SPA-zwembad niet wanneer u alcohol of medicatie gebruikt die uw capaciteit om het SPA-zwembad veilig te gebruiken, kan hinderen;
- 6). Wanneer er zwembadafdekkingen worden gebruikt, moet u ze volledig van het wateroppervlak verwijderen voordat u in het SPA-zwembad stapt;
- 7). Bescherm gebruikers van het SPA-zwembad van met het water verwante aandoeeningen door het zwembadwater te verzorgen en een goede hygiëne toe te passen. Raadpleeg de richtlijnen voor de waterbehandeling in de handleiding;
- 8). Bewaar chemische producten (bijv. voor de waterbehandelings-, reinigings- of desinfectieproducten) buiten het bereik van kinderen.
- 9). Gebruik de waarschuwingstekens zoals hieronder uiteengezet;
- 10). Er moeten wegneembare ladders op een horizontaal oppervlak worden geplaatst.

WAARSCHUWING: een leeggelaten SPA-zwembad buitenshuis kan onbekende gevaren veroorzaken.

WAARSCHUWING: de installatie en montage moet gebeuren door volwassenen.

WAARSCHUWING: lees en volg de gebruiks- en onderhoudsinstructies om een veilig gebruik van

de zwembadkit te garanderen. Als u de gebruiks- en onderhoudsinstructies niet volgt, kan dit een ernstig

gezondheidsrisico, vooral bij kinderen, veroorzaken.

WAARSCHUWING: alleen voor huishoudelijk gebruik buitenshuis.

WAARSCHUWING: gevaar op verdrinking. Kinderen kunnen in een kleine hoeveelheid water al verdrinken.

WAARSCHUWING: maak het SPA-zwembad leeg als het niet in gebruik is. Laat een klein SPA-zwembad buitenshuis niet leeg achter buitenshuis.

WAARSCHUWING

Het niet naleven van de gebruiks- en onderhoudsrichtlijnen kunnen ernstige risico's voor de gezondheid betekenen, vooral bij kinderen.

De veiligheid van uw kinderen ligt in uw handen! Het risico is het hoogste voor kinderen jonger dan 5 jaar. Wees altijd op uw hoede.

Houd de kinderen in het oog en volg de onderstaande instructies:

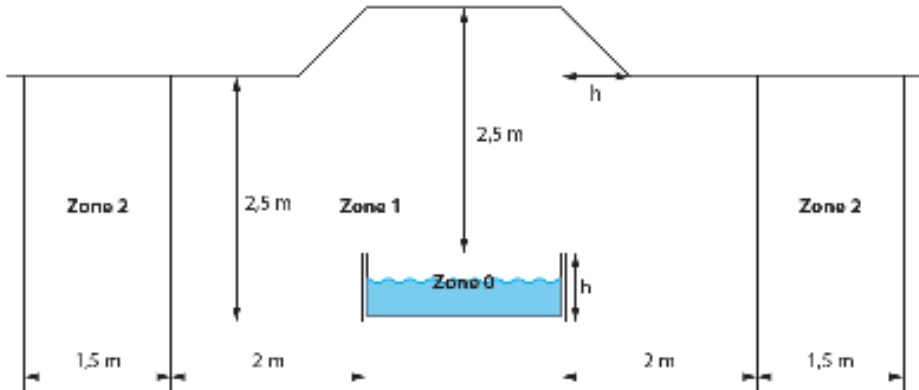
- De kinderen moeten onder nauwgezet en constant toezicht blijven;
- Wijs een verantwoordelijke voor de veiligheid aan;
- Als er in de spa meerdere gebruikers zijn, dient u het toezicht te versterken;
- Leer uw kinderen zo snel mogelijk zwemmen;
- Maak de nek, borst en benen van het kind nat voordat het in het water gaat.
- Leer de veiligheidsbewegingen en vooral de specifieke richtlijnen voor kinderen;
- Verbied duiken en springen;
- Verbied rennen of actieve spelletjes rond het bad;
- Laat geen kind dat niet zwemt, onbewaakt achter bij het bad zonder zwemvest;
- Laat spelers rond en in het bad niet onbewaakt achter;
- Houd producten voor de behandeling van het water altijd buiten het bereik van kinderen;
- Houd een telefoon bij de hand bij het bad zodat u kinderen niet onbewaakt hoeft achter te laten wanneer u aan de telefoon bent;

Als er zich een ongeval voordoet:

- Haal het kind zo snel mogelijk uit het water;
- Bel onmiddellijk hulp en volg de instructies die u eerder hebt gekregen
- Dek de slachtoffers af met warme dekens

De elektrische aansluitingen van de jacuzzi moeten geïnstalleerd zijn in de elektrische veiligheidszones met de labels 1, 2 of buiten alle veiligheidszones. De gemeten zones zijn beperkt door muren en vaste partities.

LEES EN VOLG ALLE INSTRUCTIES.



Voor uw eigen veiligheid en deze van uw product, moet u ervoor zorgen dat u de onderstaande veiligheidsvoorzorgen neemt. Het niet naleven van de instructies kan resulteren in ernstig letsel, materiële schade of overlijden. Een verkeerde installatie of bediening zal de garantie ongeldig maken.

GEVAAR

Verdrinkingsgevaar.

- Wees extreem voorzichtig om onbevoegde toegang door kinderen te verhinderen.
 - Inspecteer de afdekking van de spa regelmatig op lekken, voortijdige slijtage of tekens van kwaliteitsvermindering.
- Gebruik nooit een versleten of beschadigde afdekking. Deze zal niet het beschermingsniveau bieden dat vereist is om te verhinderen dat kinderen zonder toezicht toegang krijgen tot de spa.

- Sluit de afdekking van de spa af na elk gebruik.

Risico op letsel:

Als de stroomkabel is beschadigd, dient het door de fabrikant, de onderhoudsagent of gelijksoortig bekwame personen te worden vervangen om gevaarlijke situaties te voorkomen.

Kans op elektrische schok:

- Zorg dat geen enkele elektrisch apparaat, zoals een lamp, telefoon, radio of televisie dichterbij dan 1,5 m bij de spa komt.
- Gebruik de spa niet wanneer het regent, dondert of bliksemt.

WAARSCHUWING

- Om de kans op elektrische schokken te verminderen, mag u geen verlengsnoer, timers, stekkeradapters of omvormerstekkers om de eenheid met de netvoeding te verbinden. Zorg op de juiste locatie voor een stekkerdoos.
 - De elektrische uitrusting van de spa moet van stroom worden voorzien via een differentieelschakelaar (RCD) met een nominale restwerkstroom die niet hoger is dan 10mA.
 - onderdelen die delen onder stroom bevatten, behalve onderdelen met een extra lage stroom van minder dan 12V, mogen niet toegankelijk zijn voor de personen in het bad.
 - onderdelen met elektrische componenten, behalve afstandsbedieningen, moeten zo worden geplaatst of bevestigd, dat ze niet in de spa kunnen vallen.
 - De aansluitdoos voor de reststroom moet veilig en op een afstand van minstens 2 m van de spa staan.
 - De elektrische installatie moet voldoen aan de lokale vereisten of standaarden.
 - Dit toestel kan worden gebruikt door kinderen vanaf 8 jaar en personen met een verminderde lichamelijke, zintuiglijke of mentale vermogens, of met gebrek aan ervaring en kennis, als ze onder toezicht staan of de nodige instructies betreffende het veilige gebruik van het apparaat hebben ontvangen en als ze de gevaren begrijpen.
 - Kinderen mogen niet met het toestel spelen. De reiniging en het gebruikersonderhoud mag niet gebeuren door kinderen zonder toezicht.
 - Om risico's of letsels te verminderen, mag u kinderen niet toestaan dit product te gebruiken, tenzij zij ten alle tijden onder toezicht zijn.
 - Om verdrinkingsgevaar van kinderen te verminderen, moet u de kinderen op elk ogenblik onder toezicht houden.
 - Bevestig en sluit de afdekking van de spa af na elk gebruik.
 - Controleer of de vloer in staat is de verwachte last te steunen ($\geq 500\text{kg/m}^2$).
 - Er moet een adequaat afvoersysteem worden voorzien rond de spa om overlopend water aan te pakken.
 - Om schade te voorkomen mag u het apparaat niet leeg laten gedurende langere tijd.
 - Om schade aan de pomp te voorkomen, mag de spa nooit worden gebruikt tenzij het gevuld is met water.
 - Verlaat de spa onmiddellijk als u zich ongemakkelijk of slaperig voelt.
- Risico op letsel verminderen:
- Lagere watertemperaturen zijn aanbevolen voor jonge kinderen en als de spa langer dan 10 minuten wordt gebruikt. Om de kans op hyperthermie (warmtestress) te vermijden, mag de gemiddelde temperatuur van het badwater maximaal 40°C (104°F) bedragen.
 - Omdat te hoge watertemperaturen een groot risico vormen op schade aan de foetus tijdens de eerste maanden zwangerschap, moeten (mogelijk) zwangere vrouwen de temperatuur van het badwater beperken tot 38°C (100°F).
 - Voordat in het bad of jacuzzi wordt gestapt, moet de watertemperatuur worden gemeten met een nauwkeurige thermometer omdat de tolerantie van de apparaten die de watertemperatuur meten, verschilt.
 - Het gebruik van alcohol, drugs of geneesmiddelen voor of tijdens het gebruik van de spa, kan leiden tot bewusteloosheid met het risico op verdrinking.
 - Het gebruik van alcohol, drugs of medicatie kan het risico op fatale hyperthermie in jacuzzi's sterk verhogen.

- De oorzaken en symptomen van hyperthermie kunnen worden beschreven als volgt:
- Hyperthermie treedt op wanneer de interne temperatuur van het lichaam een niveau bereikt dat meerdere graden boven de normale lichaamstemperatuur van 37°C (98,6°F ligt). Symptomen van hyperthermie omvatten een verhoging van de inwendige lichaamstemperatuur, duizeligheid, lusteloosheid, slaperigheid en flauwvallen. Het effect van hyperemie omvatten het niet waarnemen van warmte, het niet herkennen van de noodzaak om de spa te verlaten, onbewust zijn van nakend gevaar, schade aan de foetus bij zwangere vrouwen, lichamelijke ongeschiktheid om de spa te verlaten en bewustzijn verliezen waardoor verdrinkingsgevaar bestaat.
- Zwaarlijvige personen en mensen met een hartaandoening, lage of hoge bloeddruk, problemen met de bloedsomloop of diabetes moeten een arts raadplegen voordat ze de spa gebruiken.
- Mensen die medicatie gebruiken, moeten een arts raadplegen voordat ze een spa gebruiken, omdat sommige geneesmiddelen duizeligheid kunnen veroorzaken en andere geneesmiddelen de hartslag, de bloeddruk en de bloedsomloop kunnen beïnvloeden.
- Raadpleeg een arts voordat u de spa gebruikt in geval van zwangerschap, als u diabetes bent, een zwakke gezondheid hebt of onder medisch toezicht staat.
- Mensen met een infectieziekte mogen geen spa of jacuzzi gebruiken.
- Om letsels te voorkomen, moet u opletten wanneer u in of uit de spa of jacuzzi stapt.
- Als de watertemperatuur hoger is dan 40°C (104°F) kan dit schadelijk zijn voor uw gezondheid.
- Gebruik een spa of jacuzzi nooit alleen of sta anderen niet toe om deze alleen te gebruiken.
- Gebruik de spa of jacuzzi niet onmiddellijk na een inspannende training.
- Plaats de spa niet in een omgeving waar de temperatuur onder 0°C (32°F) gaat om te verhinderen dat eventueel resterend water in het bad gaat bevriezen.
- Schakel de spa niet in wanneer het water bevroren is.
- Giet nooit water met een temperatuur van meer dan 40°C (104°F) direct in de spa.
- Voordat u het product verwijdert, reinigt, onderhoudt of er enige aanpassingen aan uitvoert, dient u altijd dit product van de elektrische voeding te verwijderen.
- Spring of duik nooit in een spa of een ondiep deel van het water.
- De stroomkabel niet begraven. Plaats de kabel waar het niet door grasmaaiers, hegenscharen en andere apparatuur kan worden beschadigd.
- Probeer dit product niet aan te sluiten of los te koppelen terwijl u in water staat of wanneer uw handen nat zijn.
- Gebruik de spa niet als deze bij de levering beschadigd was en/of op enigerlei wijze verkeerd werkt.
- Houd alle huisdieren weg van de spa om schade te voorkomen.
- Voeg geen badolie of badzout toe aan het badwater.
- Laat geen leeg bad buiten staan.
- Om een gevaar wegens onopzettelijk resetten van de thermische uitsnijding gevaren te voorkomen, mag dit apparaat niet via een externe schakelaar, zoals een timer, worden ingeschakeld of op een circuit worden aangesloten die regelmatig door het gebruik wordt in- of uitgeschakeld.

4. Installatie



WAARSCHUWING: Zwembaden die op onvoldoende egale oppervlakken worden geïnstalleerd, worden aan lekkages, onregelmatige vervormingen of omvallen onderworpen. Dit kan schade aan eigendommen of ernstig letsel aan personen in en rondom het gebied van het zwembad resulteren! **LET OP:** Kies uw installatiegebied nauwkeurig omdat gras en andere plantengroei onder het grondzeil (indien van toepassing) zal sterven. Probeer daarnaast ook om het grondzeil (indien van toepassing) te plaatsen in een gebied dat vatbaar is voor agressieve plant- en onkruidsoorten, omdat ze door het grondzeil (indien van toepassing) kunnen groeien.

4.1 Locatieselectie

WAARSCHUWING: Voordat u begint met de installatie van uw spa, moet u ervoor zorgen dat de toekomstige locatie voldoet aan de volgende voorwaarden:

- Een effen oppervlak.
- Voldoende breed om het bad en de pompenheid te ondersteunen.
- In staat om meer dan 500 kg/m² te ondersteunen.
- Beschermd tegen zon en slecht weer.
- Schoon en vrij van scherpe objecten.



Een plaats met een luifel



Maak het oppervlak schoon



Een effen oppervlak

4.2 RCD test

WAARSCHUWING: De RCD-stekker moet voor elk gebruik worden getest. Niet gebruiken als de RCD-test mislukt.



1. Sloop de stekker in het stopcontact.



2. Druk op de "REBET"-knop en het indicatorlampje licht rood op.



3. Druk op de "TEST"-knop en het indicatorlampje dooft.



4. Druk op de "REBET"-knop en het indicatorlampje licht rood op. De RCD werkt correct.

Aarding

Het is aanbevolen de diensten van een gekwalificeerde elektricien te gebruiken om zeker te zijn dat de spa elektrische geard is door middel van een koperen geleider met een doorsneden van minstens 2,5 mm.

5. Assemblage



1) Vouw de opblaasbare spa over de bodembeschermer. (Optioneel)



2) Breng de pompeenheid naar de opblaasbare spa.



3) Sluit de opblaaslang aan op de pomp op de sokkelt.



4) Stop de opblaaslang in de opblaasbare spa.



5) Sluit de pompeenheid aan en druk op de knop om de spa op te blazen. De luchtstrookklep verhindert dat de spa leeveld wordt opgeblazen.



6) Plaats de opblaasbare spa op gedurende 10 minuten. Controleer of de spa stevig is opgeblazen.



7) Verwijder de opblaaslang en schroef de kap stevig op zijn plaats.



8) Sluit de pompeenheid aan op het bad met de 3 vast te schroeven connectors. Controleer of de pictogrammen op de pomp en het bad overeenkomen.



9) De cartridge bevindt zich zoals weergegeven.



10) Geef de filterpatroon op de houder te zetten en draai het vast op de onderst zuiging binnen de bassin.



11) Controleer of de afvoerklappen goed zijn gesloten voordat u de spa vult.



12) Gladde rimpels uit de bodem van de Spa, vul dan de Spa op het niveau aangegeven. Uw Spa is klaar.

6. Gebruik

6.1 Bedieningspaneel



6.2 Functies

Na het inschakelen, toont de LED automatisch de huidige watertemperatuur.

De selector voor de temperatureenheden verandert de temperatureenheden van Celsius naar Fahrenheit.

Druk op de temperatuuraanpassingsknoppen. Daarna begint het scherm te knipperen. Wanneer deze knippert, kunt u de gewenste temperatuur instellen. De waarde wordt telkens met 1°C verhoogd of verlaagd. De temperatuur kan worden ingesteld van 30°C tot 40°C (86°F tot 104°F).

Om het bedieningspaneel te vergrendelen of te ontgrendelen, houdt u de ontgrendelingsknop 3 seconden ingedrukt.

Vergrendel het bedieningspaneel wanneer u niet aanwezig bent om te verhinderen dat andere mensen uw instellingen wijzigen.

Druk op de massageknop om het jacuzzi-massagesysteem te activeren. Het groene indicatorlampje licht op. Het kan worden uitgeschakeld door opnieuw te drukken.

Opmerking:

- het massagesysteem stopt automatisch na 30 minuten werking. Activeer de massagefunctie opnieuw door nogmaals op de massageknop te drukken.
- Wanneer de filterknop aan is en u op de jacuzzi-knop drukt, verandert de filtermodus naar de massagemodus.

Het indicatorlampje van het filter schakelt uit en dat van de massage schakelt in. Als u opnieuw op de jacuzzi-knop drukt, verandert de massagemodus terug naar de

Druk op de filterknop om de waterfiltratie te activeren. Het groene indicatorlampje wordt ingeschakeld wanneer het filtersysteem is geactiveerd.

Opmerking: Als de massagefunctie aan is, kan de filtratie niet worden geactiveerd.

Druk op de verwarmingsknop om het waterverwarmings- en filtersysteem tegelijk te activeren. Het groene indicatorlampje van de filter en het rode indicatorlampje van de verwarming zullen tegelijk inschakelen.

De pomp stopt niet met verwarmen tot de huidige watertemperatuur de ingestelde temperatuur bereikt. Het verwarmingssysteem zal opnieuw starten nadat de huidige watertemperatuur automatisch daalt tot 2°C onder de ingestelde temperatuur. Maximale verwarmingstemperatuur: 40°C (104°F)

Belangrijk:

Na 150 cumulatieve uren van filtratiebewerkingen wordt een akoestisch alarm weergegeven en toont het LCD-scherm de tekens CHG, gevolgd door FIL om u eraan te herinneren het filter te vervangen en te reinigen. U kunt de filterknop gedurende 5 seconden ingedrukt houden om het zoemen uit te schakelen. Het filtersysteem wordt uitgeschakeld. U kunt op de knop drukken om het filtersysteem opnieuw te activeren.

Opmerking:

- Het verwarmingssysteem is afhankelijk van het filtratiesysteem en kan werken zonder.
- Na het uitschakelen van het verwarmingssysteem, zal het filtersysteem nog steeds werken.
- Als de massagefunctie actief is, kunnen de filter- en verwarmingsfuncties worden geactiveerd.

6.3. Badafdekking en veiligheid (Optioneel)

Na elk gebruik moet het bedieningspaneel worden vergrendeld en moet het bad worden afgedekt met het bovendeksel dat moet worden bevestigd aan de bodembescherming met behulp van de veiligheidsgespen. Alle veiligheidsgespen hebben een vergrendelingssysteem. De gesp is gesloten, het veerslot in omhoog staande positie vergrendelt de gesp en in omlaag staande positie ontgrendelt het de gesp. De bovendeksel houdt de warmte van het water vast en beschermt het bad.



7. Onderhoud

7.1. Onderhoud van het water

WAARSCHUWING: een slechte kwaliteit van het zwembadwater kan schadelijk zijn voor uw gezondheid.

- Afhankelijk van de frequentie en de omstandigheden van het gebruik:
- Het filterpatroon moet regelmatig worden gereinigd (max. 150 uren).
 - Het filterpatroon moet elke 1 tot 2 maanden worden vervangen.
 - Het badwater moet elke 15 tot 30 dagen worden vervangen.

Gebruik een watertestkit om de parameters van het water te controleren voordat u de spa gebruikt of minstens één keer per week. Gebruik desinfectieproducten voor de spa. De behandelingsproducten moeten met aandacht worden gebruikt en het is belangrijk dat de instructies worden nageleefd. Schade die resulteert uit een onjuist gebruik van behandelingsproducten is niet gedekt door de garantie (overdosis, schokbehandeling ...).

1). Waterbalans

De waterbalans (pH) moet behouden blijven tussen 7 en 7.4.

2). Waterzuivering

Om het badwater te zuiveren stellen wij u voor een actieve op zuurstof gebaseerde behandeling of bromine in een drijvende houder te gebruiken. (Houder afzonderlijk verkrijgbaar).

7.2. Filterpatroon reinigen en vervangen

Een vuil filterpatroon kan het zwembadwater vervuilen en schade aan de verwarmingsfunctie veroorzaken.

1. Schroef de filterbehuizing los door deze linksom te draaien. Verwijder het filterpatroon uit de behuizing.
2. Spoel het filterpatroon af met een tuinslang. Als het filterpatroon vuil en verkleurd blijft, moet het filterpatroon worden gereinigd.
3. Plaats het gereinigde filterpatroon in deze behuizing en schroef deze op het bad.



Desinfectie

Waterzuivering: Om het badwater te zuiveren stellen wij u voor een actieve op zuurstof gebaseerde behandeling of bromine in een drijvende houder te gebruiken. (Houder afzonderlijk verkrijgbaar). Als het water overmatig vervuild is, moet u het bad mogelijk leegmaken en desinfecteren met UV-lampen. Opgelet: Resten van detergents en opgeloste vaste stoffen van zwemkleding en chemische stoffen kunnen zich aan de wanden van de spa hechten. Gebruik zeep en water om de wanden te reinigen en spoel ze grondig af met een tuinslang en een directe krachtige waterstraal.

7.3. Drainage en opslag

Drainage

- 1). Controleer de stopper op de onderkant van het SPA-zwembad en de afvoerkap
- 2). Schroef de afvoerkap los
- 3). Verwijder de stopper op de onderkant van het SPA-zwembad. Laat al het water

volledigaf van het spa-zwembad. Als het SPA-zwembad leeg is, kunt u het schoonmaken met zeep en water.

Opslag

5). Druk op de jacuzzi-knop om het water binnenin de spuitopeningen naar buiten te blazen. Koppel

de pomp los, verwijder het filterpatroon van de binnenwand van het SPA-zwembad.

6). Gebruik een handdoek om het SPA-zwembad af droog te vegen. Laat het drogen gedurende 24 uur.

7). Schroef de kleppen los om het SPA-zwembad te laten leeglopen.

8). Vouw het SPA-zwembad samen. Het is aanbevolen de SPA op te bergen in zijn originele verpakking in een warme droge plaats. Opgelet: Zorg dat de zwembadbekleding helemaal droog is voordat u het SPA-zwembad samenvouwt voor langdurige opslag. Als u het SPA-zwembad enkele uren blootgesteld laat aan zonlicht, wordt het gereinigd en verloopt het drogen sneller zodat het gemakkelijker wordt om het SPA-zwembad op te slaan voor opslag. (Probeer nooit een SPA-zwembad op te vouwen of op te bergen als het niet helemaal droog is. Anders kan dit leiden tot de vorming van schimmel terwijl het SPA-zwembad is opgeslagen.)

7.4. Reparatiekit



Kleine gaatjes en lekkages kunnen worden gerepareerd met de meegeleverde reparatiekit en lijm die speciaal is voorzien voor de voering van het zwembad.

1). Zoek het lek.

2). Reinig het gebied rondom de lekkage.

3). Snijd een stukje reparatiemateriaal in ronde vorm die groter is dan het beschadigde gebied.

4). Breng aan de onderkant van het reparatiestukje en rondom het te repareren gebied plaksel aan.

5). Plaats het reparatiestukje op het beschadigde gebied en druk het stevig neer. Laat het gedurende 12 uren drogen. Nadat de pleister is gedroogd, brengt u voor volledige afdichting plaksel rondom de randen aan (4 uur drogen).

8. Probleemoplossing

8.1 Probleemoplossing

Probleem	Oorzaak	Oplissing
Het scherm van het bedieningspaneel werkt niet	Stroombron controleren	Stroomuitval
		Voer een reset van de RCD-stekker uit / Controleer of het bedradingsstelsel is aangepast aan de voeding van de pompeenheid.
		Bel de klantendienst als de reset niet lukt
De SPA-pomp warmt niet goed op	De ingestelde temperatuur is te laag	Instellen op een hogere temperatuur
	Filterpatroon is vuil	Reinig of vervang het patroon (zie hoofdstuk 5.2)
	Te laag waterpeil	Vul water bij tot minimum waterniveau
	V erwarmingselement werkt niet	Bellen voor onderhoud
Jacuzzi-massage-systeem werkt niet.	Pomp raakt oververhit	Schakel de voeding uit en wacht tot de pomp is afgekoeld.
	Automatische uitschakelfunctie (30 min) is geactiveerd	Druk op de jacuzzi-knop om opnieuw te activeren
	Defect van de pompeenheid	Bel de klantendienst als de reset niet lukt
Waterfiltratie werkt niet	Filterpatroon is vuil	Reinig of vervang het patroon (zie hoofdstuk 5.2)
	Inlaat en uitlaat geblokkeerd	Inlaat en uitlaat schoonmaken
	Lucht binnenin de pomp	Vul water bij tot minimum waterniveau
	Defect van de pompeenheid	Bel de klantendienst als de reset niet lukt
Lekkage pomp	Afdichting adapter werkt niet goed	Plaats de afdichting terug op de juiste positie
	Waterlekage van pomplichaam	Pomplichaam controleren, klantendienst bellen
Lekkage spa-zwembad	Spa-zwembad is gescheurd of lek	Gebruik de meegeleverde reparatiekit (zie hoofdstuk 5.4)
Water is niet schoon	Onvoldoende filtertijd	Verlang de filtertijd
	Filterpatroon is vuil	Reinig of vervang het patroon (zie hoofdstuk 5.2)
	Water in zwembad van slechte kwaliteit	Het zwembadwater volledig versen
	Verkeerde behandeling water	Raadpleeg de instructies van de fabrikant van de chemische producten
CHG FIL	Na 150 cumulatieve uren van filtratiebewerkingen wordt een akoestisch alarm weergegeven en toont het LCD-scherm de tekens CHG, gevolgd door FIL om u eraan te herinneren het filter te vervangen en te reinigen. U kunt de filterknop gedurende 5 seconden ingedrukt houden om het zoemen uit te schakelen. Het filtersysteem wordt uitgeschakeld. U kunt op de knop drukken om het filtersysteem opnieuw te activeren.	

8.2 Errorcode

Hieronder worden de storingscodes uitgelegd wanneer het scherm een errorcode "E" aangeeft:

Code	Sensort	Probleem	Oorzaak	Oplossingen
E1	Verwarmt niet goed.	Watertemperatuursensor	Watertemperatuursensor geeft verstoring of functioneert niet correct.	Neem contact op met uw verkooppunt.
E3	Verwarmt niet goed.	Indicator voor te hoge watertemperatuur	1. Het water is warmer dan 45°C. 2. De filterdop is in verkeerde richting onderdelen geplaatst (hogere afzuig onderdelen).	1. Zet de pomp uit en zorg er voor dat het water tussen 2°C en 44°C ligt. Indien dit het probleem niet verhelpt, doorloop onderstaande stappen. 2. Sluit de filterdop aan aan de onderste afzuig onderdelen.
E4	Geen van de functies werk, er klinkt een zonnend geluid	Indicator voor te lage watertemperatuur	Het water is kouder dan 2°C	- Zet de pomp uit en zorg er voor dat het water tussen 2°C en 44°C ligt. - Indien dit het probleem niet verhelpt, doorloop onderstaande stappen.
E5	Geen van de functies werk, er klinkt een zonnend geluid	Indicator voor te hoge watertemperatuur	Het water is warmer dan 50°C	Schakel de stroomtoevoer uit. Contacteer een gekwalificeerd electricien om de thermische beveiliging te resetten zoals hieronder beschreven.
E6	Verwarmt filter niet goed, er klinkt een zonnend geluid	De waterdruk is te laag om verwarming in te schakelen	-De inlaat of uitlaat aan de binnenzijde van de jacuzzi zit verstopt. -Het filterelement is te vuil. -Er zit te weinig water in de jacuzzi. -De pomp is niet ontlucht. -De pomp is beschadigd of defect.	-Reinig de inlaat en uitlaat aan de binnenzijde van de jacuzzi. -Reinig of vervang het filterelement. -Vul water bij zodat het waterniveau in de jacuzzi boven het minimum niveau komt. -Ontlucht de pomp. - Indien dit het probleem niet verhelpt, doorloop onderstaande stappen.

E3, E4, E5, E6 storingscode

- schakel de stroomtoevoer voor minimaal 5 minuten uit; schakel deze vervolgens in. Wanneer de storingscode opnieuw in het display weergegeven wordt, volg dan de volgende instructies:

- 1 - controleer of het waterniveau tussen het minimale en maximale waterniveau staat;
- 2 - Reinig of vervang het filterelement
- 3 - Schroef de waterinlaat en wateruitlaat aan de binnenzijde van de jacuzzi los, reinig deze indien nodig en plaats deze terug
- 4 - Controleer dat de waier van de filterpomp niet verstopt zit door vervuiling of vreemde objecten, schakel de stroomtoevoer opnieuw voor minimaal 5 minuten uit, schakel deze vervolgens weer in. Wanneer de storingscode opnieuw weergegeven wordt in het display, neem contact op met uw verkooppunt.

9. Garantie

EXIT Toys -producten werden geïnspecteerd en er werd vastgesteld dat ze vrij van defecten waren bij het verlaten van de fabriek. EXIT Toys geeft garantie op dit product voor materiaal en fabricagefouten. De garantietermijn voor de pomp bedraagt 1 jaar en voor de liner 6 maanden vanaf de aankoopdatum, tenzij lokale wetgeving anders voorschrijft. EXIT Toys garandeert dit product vanaf de datum van aankoop en EXIT Toys vereist voorlegging van het originele aankoopbewijs om de datum te controleren. Tijdens de garantieperiode zal EXIT Toys eventuele defecte producten volgens eigen voorkeur repareren of vervangen. De garantie voor vervangende of gerepareerde producten blijft alleen geldig voor het niet verlopen deel van de oorspronkelijke garantie.

Beleid betreffende verzendkosten

Het retourneren van defecte onderdelen aan het erkende onderhoudscentrum valt ten laste van de eigenaar. Tijdens de garantieperiode zijn deze kosten ten laste van de klantendienst.

Garantiebeleid

Deze beperkte garantie is niet van toepassing op enige defecten die voortvloeien uit nalatigheid, ongeval, misbruik of een andere reden die buiten de redelijke controle van EXIT Toys valt, met inbegrip van, maar niet beperkt tot normale slijtage, verwaarlozing of het niet naleven van de instructies bij het product, verkeerd of onvoldoende onderhoud, aansluiting op een ongeschikte voeding, chemische waterschade, verlies van zwembadwater, ongemachtigde wijziging of reparatie van het product, gebruik voor commerciële doeleinden, brand, overstroming of andere externe oorzaken. Deze garantie is alleen geldig in het land van aankoop. Dit zijn de landen waar EXIT Toys hetzelfde model met identieke technische specificatie verkoopt en onderhoudt. De garantieservice buiten het land van aankoop is beperkt tot de voorwaarden en bepalingen van de overeenkomende garantie in het land van de klantendienst. Waar de kosten van de reparatie of vervanging niet worden gedekt door deze garantie, zal EXIT Toys de eigenaars hiervan op de hoogte brengen en vallen de kosten ten laste van de eigenaar. Deze garantie is alleen van toepassing op de originele koper en eindigt bij elke overdracht van eigendom. Alle reparaties waarop garantieclaims worden gelegd, moeten vooraf worden goedgekeurd door een EXIT Toys -onderhoudscentrum. Elke erkende dealer is verantwoordelijk voor alle onderhoudswerkzaamheden die aan uw EXIT Toys -product worden uitgevoerd. EXIT Toys zal niet aansprakelijk zijn voor kosten voor werkzaamheden die zijn uitgevoerd door een niet erkende onderhoudstechnicus.

Garantieregistratie

Om uw garantie te valideren, dient u uw product te registreren op onze website EXIT Toys :www.EXITToys.com. Het is cruciaal dat alle informatie wordt opgegeven, met inbegrip van de naam van de klant, de aankoopdatum, het serienummer en het model van de spa. Zonder deze informatie zal de garantie ongeldig zijn.

2.0 Introduction

Vous venez de faire l'acquisition du EXIT Inflatable Spa; nous vous en félicitons!

S'amuser, être actif et jouer dehors.....

Nous faisons tout notre possible pour développer des produits sûr pour les enfants. Étant donné que nos produits sont classés comme étant des jouets, nous nous conformons aux réglementations de sécurité des consommateurs les plus rigoureuses. Avant de commercialiser nos produits, nous faisons réaliser des tsts indépendants en vue d'obtenir la certification. Nous testons également en continu nos cycles de production et faisons régulièrement réaliser des tests indépendants à titre de contrôle supplémentaire. Seuls les produits qui se montrent à la hauteur de la norme EXIT Toys la plus rigoureuse sont porteurs de l'étiquette EXIT Toys.

Nous souhaitons vous remercier pour l'achat de ce produit et pour votre fidélité. Nous sommes sûrs que vos enfants s'amuseront autant que nous nous sommes amusés durant la phase de développement. Nous sommes très ouverts et preneurs de tous les commentaires et idées qui pourraient nous aider à améliorer nos produits et à en développer de nouveaux. Vous êtes invités à nous envoyer vos idées à info@exittoys.com.

Découvrez le monde de EXIT Toys, ses produits de divertissement branchés et ses nouveautés sur www.exittoys.com.

L'équipe EXIT Toys.

3.0 RÈGLES IMPORTANTES DE SÉCURITÉ



Lisez soigneusement, comprenez et suivez toutes les informations dans ce manuel de l'utilisateur avant l'installation et l'utilisation de la piscine. Ces avertissements, instructions et consignes de sécurité traitent de certains risques courants liés aux loisirs nautiques, mais ils ne peuvent pas couvrir tous les risques et dangers dans tous les cas. Faites toujours preuve de prudence, de bon sens et de bon jugement lorsque vous appréciez une activité aquatique. Veuillez lire attentivement et conserver pour référence future.



Sécurité des non-nageurs :

1. Une supervision continue, active et vigilante des nageurs faibles et des non-nageurs par un adulte compétent est nécessaire en tout temps (rappelez-vous que les enfants de moins de cinq ans courent le plus grand risque de noyade);
2. Les nageurs débutants ou non-nageurs doivent porter un équipement de protection individuel lors de l'utilisation du spa;
3. Désigner un adulte compétent pour surveiller le spa à chaque utilisation.
4. Lorsque le spa n'est pas utilisé ou non surveillé, retirez tous les jouets du spa et de ses abords pour éviter d'attirer les enfants.



Dispositifs de sécurité:

1. Il est recommandé d'installer une barrière (et de sécuriser toutes les portes et fenêtres, le cas échéant) pour empêcher les personnes non autorisées d'accéder au spa;
2. Les barrières, les couvertures de piscine, les alarmes de piscine ou les dispositifs de sécurité similaires sont des aides utiles, mais ils ne peuvent remplacer la surveillance d'un adulte compétent.

Équipement de sécurité:

1. Il est recommandé de garder du matériel de sauvetage (p. Ex. Une bouée) au bord du spa.
2. Gardez un téléphone en état de marche et une liste des numéros de téléphone d'urgence près du spa.

Utilisation sécurisée du spa:

1. Encouragez tous les utilisateurs, en particulier les enfants, à apprendre à nager
2. Apprenez les bases de la réanimation cardiorespiratoire (RCP) et actualisez ces connaissances régulièrement. Cela peut faire une différence vitale en cas d'urgence
3. Indiquez à tous les utilisateurs de la piscine, y compris les enfants, quoi faire en cas d'urgence

4. Ne plongez jamais dans un plan d'eau peu profond. Cela peut entraîner des blessures graves ou la mort.
5. N'utilisez pas le spa lorsque vous consommez de l'alcool ou des médicaments pouvant compromettre votre capacité à utiliser le spa en toute sécurité.
6. Lorsque vous utilisez des couvertures de spa, retirez-les complètement de la surface de l'eau avant d'entrer dans le spa
7. Protégez les occupants de la piscine contre les maladies liées à l'eau en faisant en sorte que l'eau de la piscine soit traitée et en respectant les règles d'hygiène. Consultez les directives de traitement de l'eau dans le manuel de l'utilisateur
8. Conservez les produits chimiques (produits de traitement de l'eau, de nettoyage ou de désinfection, par exemple) hors de la portée des enfants.
9. Utilisez la signalisation comme indiqué ci-dessous
10. Les échelles amovibles doivent être placées sur une surface horizontale.

AVERTISSEMENT: un bassin drainée à l'extérieur peut causer des risques inconnus.

AVERTISSEMENT: L'installation et le montage doivent être effectués par des adultes.

AVERTISSEMENT: Lire et suivre les instructions d'utilisation et de maintenance pour garantir une utilisation sûre du spa. Ne pas suivre les instructions d'utilisation et d'entretien peut entraîner de graves problèmes de santé, particulier pour les enfants.

AVERTISSEMENT: Uniquement pour une utilisation domestique à l'extérieur.

AVERTISSEMENT: Danger de noyade. Les enfants peuvent se noyer dans une très faible quantité d'eau.

AVERTISSEMENT: Videz le spa lorsque vous ne l'utilisez pas. Ne laissez pas une petite piscine vide à l'extérieur.

Le non-respect des consignes d'utilisation et d'entretien peut engendrer des risques graves pour la santé, notamment celles des enfants.

La sécurité de vos enfants est sous votre responsabilité ! Le risque est maximum pour les enfants de moins de 5 ans. Soyez vigilants.

Suivez les instructions suivantes :

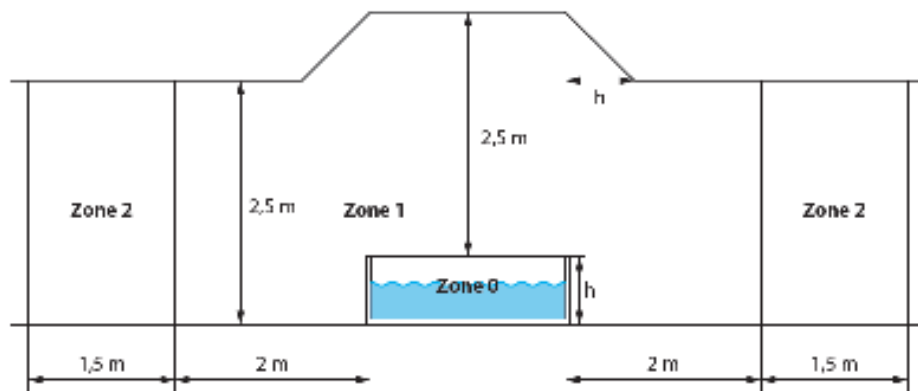
- La surveillance des enfants doit être permanente ;
- Désigner une personne responsable de la sécurité ;
- Renforcez la sécurité lorsqu'il y a plusieurs personnes dans le spa ;
- Apprenez à nager à vos enfants dès que possible ;
- Mouillez-vous la nuque, les bras et les jambes avant d'entrer dans l'eau ;
- Apprenez les gestes qui sauvent et surtout ceux spécifiques aux enfants ;
- Interdisez le plongeon ou les sauts ;
- Interdisez la course et les jeux vifs aux abords du spa ;
- N'autorisez pas l'accès au spa sans gilet ou brassière pour un enfant ne sachant pas bien nager et non accompagné dans l'eau ;
- Ne laissez pas de jouets à proximité et dans le bassin lorsqu'il n'est pas surveillé ;
- Maintenez en permanence une eau limpide et saine ;
- Stockez les produits de traitement d'eau hors de la portée des enfants.

En cas d'accident :

- Sortez l'enfant de l'eau le plus rapidement ;
 - Appelez immédiatement du secours et suivez les conseils qui vous seront donnés ;
 - Remplacez les habits mouillés par des couvertures chaudes ;
- Mémorisez et affichez à proximité du spa les numéro de premiers secours :
- Pompiers (18 en France) ;

- SAMU (15 en France) ;
- Centre antipoison.

Les équipements électriques du spa doivent être installés dans les zones de sécurité électriques 1, 2 ou en dehors de toutes les zones de sécurité. Les zones mesurées sont limitées par les murs et les cloisons fixes.



Pour votre sécurité et afin de garantir le bon fonctionnement de votre spa, assurez-vous de prendre les précautions décrites dans ce manuel. Ne pas suivre les instructions et les avertissements peut entraîner des dommages sur le spa, des blessures graves ou la mort. Une mauvaise installation ou opération annule la garantie. Il est donc vivement recommandé de lire attentivement ce document et de le conserver pour une consultation ultérieure. Veuillez lire, suivre et comprendre les instructions suivantes :

DANGER

Risque de noyade accidentelle :

- Une extrême prudence doit être exercée pour empêcher l'accès non autorisé aux enfants.
- Inspecter régulièrement le couvercle du spa afin de prévenir des fuites, de l'usure prématurée ou de signes de détérioration. Ne jamais utiliser un couvercle usé ou endommagé, car il ne fournira pas le niveau de protection requis pour empêcher l'accès non autorisé aux enfants.
- Fermer le spa avec son couvercle après chaque utilisation.

Risque de blessures :

En cas de détérioration du câble d'alimentation, celui-ci doit être remplacé par le fabricant, son distributeur ou par un technicien qualifié.

- Risque d'électrocution :

- Ne pas laisser d'appareils électriques (lumière, téléphone, radio, télévision, etc.) à moins de 1,5m du spa.
- Ne pas utiliser le spa pendant une averse ou une activité orageuse.

AVERTISSEMENT

Pour réduire les risques de décharges électriques, vous ne devez pas utiliser de ral-

longe, minuteur, ou adaptateur de prises pour connecter l'appareil au réseau électrique. Utilisez une prise idéalement située à proximité du spa.

- Le spa doit être branché à l'aide de la prise fournie intégrant un disjoncteur différentiel 10mA.
- Les pièces électriques du spa (excepté celle avec une sécurité basse tension n'excédant pas 12 V) doivent être hors de portée des occupants du spa.
- Les appareils électriques (excepté le bloc moteur du spa) doivent être hors de portée ou fixés afin de ne pas tomber dans le spa.
- La boîte de raccordement électrique (ou prise électrique) doit être située à une distance de sécurité d'au moins 2m du spa.
- L'installation électrique doit satisfaire les exigences des normes locales.
- Cet appareil peut être utilisé par des enfants à partir de 8 ans sous la surveillance d'un adulte. Les enfants ne doivent pas jouer dans le spa et sa maintenance doit être assurée par un adulte. Pour réduire le risque de noyade des enfants, surveillez-les en permanence. Et assurez-vous de bien fermer le spa avec son couvercle après chaque utilisation.
- Assurez-vous que le sol, puisse supporter le poids du spa ($\geq 500\text{kg/m}^2$).
- Un système de drainage doit être prévu autour du spa pour faire face aux débordement de l'eau.
- Pour éviter les dommages, ne laissez pas l'appareil vide pendant une durée prolongée.
- Pour éviter d'endommager la pompe, le spa ne doit jamais être utilisé s'il n'est pas rempli d'eau.
- Sortez immédiatement du spa si vous êtes mal à l'aise ou si vous vous endormez.
- Pour réduire les risques de blessure :
- La température de l'eau du spa ne doit pas excéder 40°C (104°F) pour un adulte en bonne santé.
- Des températures plus basses sont recommandées pour les enfants quand l'utilisation dépasse les 10 minutes.
- Pour une femme enceinte, une température trop élevée peut causer de graves problèmes en début de grossesse. L'usage du spa doit être occasionnel et la température ne doit pas dépasser 38°C (100°F). Si vous êtes enceinte, consultez votre médecin avant d'utiliser le spa.
- Avant de se baigner, l'utilisateur doit s'assurer de la température du spa avec un thermomètre. Car celle-ci peut varier de quelques degrés par rapport à la température programmée.
- Boire de l'alcool, prendre des drogues ou des médicaments avant ou pendant l'utilisation du spa peut augmenter le risque d'hyperthermie et provoquer une perte de conscience.
- Les causes et symptômes de l'hyperthermie peuvent être décrits comme suit :
- L'hyperthermie survient lorsque la température interne du corps dépasse les 37°C (98,6°F) habituel. Cela peut entraîner des étourdissements, une léthargie, une somnolence, ou encore des évanouissements.
- Les effets de l'hyperthermie induit une mauvaise perception de la chaleur, une incapacité à savoir quand sortir de l'eau, un danger pour les foetus (pour les femmes enceintes), une incapacité physique à sortir du bassin et même perdre connaissance, augmentant ainsi le risque de noyade.
- Les personnes souffrant de problème d'obésité, cardiaque, de pression artérielle, de circulation de sang ou de diabète, doivent consulter un médecin avant d'utiliser le spa.

- Si vous prenez des médicaments, veuillez consulter votre médecin avant d'utiliser le spa. Certains médicaments couplés à l'utilisation du spa peuvent provoquer des somnolences, affecter le rythme cardiaque, et modifier la pression artérielle ou sanguine.
- Si vous êtes enceinte, en mauvaise santé ou sous traitement médical, veuillez consulter un médecin avant d'utiliser le spa.
- Si vous souffrez d'une maladie infectieuse, ne pas utiliser le spa.
- Pour ne pas vous blesser, entrez et sortez lentement du spa.
- Une température de l'eau supérieure à 40°C (104°F) peut être dangereux pour votre santé.
- Ne jamais utiliser seul ou laisser une personne seule dans le spa.
- Ne pas utiliser le spa immédiatement après un effort physique.
- Veillez à ce que la température extérieure ne descende pas en dessous de 0°C (32°F), afin d'éviter que l'eau du spa ne gèle et génère des dégâts. Attention, les dommages dus au gel ne sont pas pris en garantie.
- Ne surtout pas utiliser le spa lorsque l'eau est gelée.
- Ne pas remplir directement le spa avec de l'eau chaude supérieure à 40°C (104°F).
- Toujours débrancher la prise électrique du spa avant de le déplacer, le nettoyer ou effectuer toute autre manipulation.
- Ne jamais sauter ou nager dans le spa.
- Ne pas enterrer le câble et le laisser bien en évidence pour éviter que la tondeuse à gazon ou un autre appareil ne l'abîme.
- Ne pas brancher ou débrancher le spa si vous êtes dans l'eau ou que vos mains sont mouillées.
- Ne pas utiliser le spa s'il est endommagé lors de la livraison ou que son fonctionnement est anormal.
- Tenir le spa hors de portée des animaux pour éviter toute détérioration.
- Ne pas rajouter d'huile ou de sel de bain dans l'eau du spa.
- Ne laissez pas le spa vide à l'extérieur.
- Afin d'éviter un dysfonctionnement de la protection thermique, le spa ne doit pas être branché à un interrupteur extérieur (comme par exemple une minuterie) ou un circuit qui connecte / déconnecte régulièrement le spa.

4. Installation



ATTENTION : les spas installés sur des surfaces de niveau inadéquat sont sujets aux fuites, formant des irrégularités ou des effondrements, ce qui peut causer des dommages sérieux ou des blessures graves aux personnes se trouvant dans ou autour du spa! **PRÉCAUTIONS** : S'il vous plaît choisissez votre zone d'installation avec soin car la pelouse et toute autre végétation souhaitable sous le tapis de sol (le cas échéant) mourront. De plus, essayez d'éviter de placer le tapis de sol dans des zones sujettes aux espèces de plantes et de mauvaises herbes agressives, car elles peuvent pousser à travers le tapis de sol.

4.1. Choix d'un emplacement

ATTENTION : Avant d'installer votre spa, veuillez-vous assurer que le futur emplacement respecte les conditions suivantes :

- Sol de niveau pour éviter tout défaut, hernie ou fuite.
- Suffisamment large pour accueillir le bassin et son bloc moteur.
- Capable de supporter plus de 500 kg/m².
- Abrisé du soleil et des intempéries.
- Propre et dépourvu d'aspérité.
- Dépourvu de végétation agressive au sol.

Le non respect de ces règles peut entraîner des dommages matériels ou des blessures.



Un emplacement abrité



Un emplacement propre



Un emplacement de niveau

4.2. Test de la protection différentielle

ATTENTION: La prise différentielle doit être contrôlée avant chaque utilisation. N'utilisez pas l'appareil en cas d'échec du test de la protection différentielle et reportez



1. Connectez la fiche du bloc moteur dans la prise électrique.



2. Appuyez sur le bouton «RESET» ; le voyant s'allume.



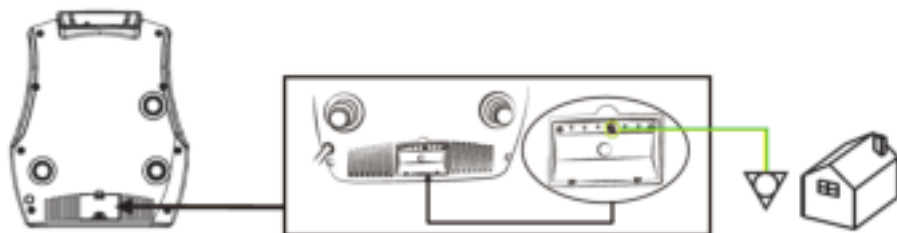
3. Appuyez sur le bouton «TEST» ; le voyant s'éteint.



4. Appuyez de nouveau sur le bouton «RESET» ; le voyant s'allume. La protection différentielle fonctionne correctement.

Raccordement à la terre

Il est recommandé de faire appel à un électricien qualifié pour raccorder la pompe du spa à une borne de liaison équipotentielle (prise de terre) en utilisant un conducteur en cuivre d'au moins 2,5mm²



5. Montage du spa



1) Dépliez la structure gonflable.
(Optionnel)



2) Sortez le bloc moteur et le tuyau de gonflage et positionnez-les à proximité de la structure gonflable.



3) Raccordez une extrémité du tuyau de gonflage au bloc moteur sur la sortie.



4) Raccordez l'autre extrémité du tuyau à la valve d'air située sur le bassin.



5) Branchez le bloc moteur puis appuyez sur le bouton pour gonfler la structure. De l'air s'échappe du tuyau pour éviter le sur-gonflage.



6) Gonflez la structure pendant 10 minutes. La structure devrait alors être suffisamment rigide.



7) Retirez le tuyau de gonflage et refermez la valve d'air.



8) Raccordez le bloc moteur au bassin à l'aide des trois raccords à visser.



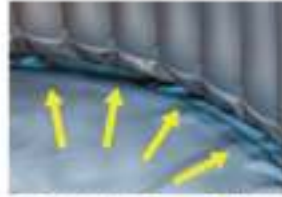
9) Emplacement de la cartouche comme indiqué.



10) Mets le filtre du cartouche dans un support avant de le visser sur l'appareil pour succion dans l'écouir.



11) Vérifiez que les bouchons de vidange sont bien semés.



12) Tendre le fond du spa afin d'éviter tout pli, puis remplir le spa jusqu'au niveau indiqué. Votre spa est prêt.



ATTENTION: Ne laissez pas le spa sans surveillance lorsque vous le remplissez d'eau. Assurez-vous que le raccord de vidange est correctement branché et que le capuchon est en place. Commencez à remplir le spa avec de l'eau. Après environ 10cm d'eau, arrêtez de remplir et éliminez les plis du fond du spa. Tirez le mur extérieur hors du bord supérieur, tout autour du fond du spa. Continuez à remplir le spa jusqu'au niveau de l'eau maximum.

6. Utilisation

6.1 Panneau de contrôle



6.2 Fonctions

Lorsque le bloc moteur est sous-tension, l'écran indique la température actuelle de l'eau.

Le bouton unité de température permet de changer les unités de mesure de la température ; degrés Celsius ou degrés Fahrenheit.

Les boutons de réglage de la température permettent de changer la température de consigne du chauffage. La température peut être réglée entre 30°C et 40°C (86°F et 104°F).

Pour verrouiller ou déverrouiller le panneau de commande, appuyez sur le bouton de verrouillage pendant 3 secondes. **Pensez à verrouiller le panneau de commande lorsque vous êtes absent**

pour éviter que d'autres personnes viennent à modifier vos réglages.

Le bouton massage permet d'activer les jets de bulles. Lorsqu'il est activé, le voyant vert s'allume. Remarque:

- La fonction massage s'arrête automatiquement après 30 minutes. Réactivez la fonction massage en appuyant à nouveau sur le bouton massage.
- Si les fonctions filtration et/ou chauffage sont actives, appuyer sur le bouton massage désactive la filtration et le chauffage ; les voyants filtration et chauffage s'éteignent et le voyant massage s'allume. En appuyant à nouveau sur le bouton massage, la filtration s'active.

Le bouton filtration permet d'activer la filtration de l'eau. Lorsqu'il est activé, le voyant vert s'allume.

Remarque: Si la fonction massage est active, la fonction filtration ne peut s'activer.

Le bouton chauffage permet d'activer simultanément les fonctions filtration et chauffage. Le voyant vert de la filtration et le voyant rouge du chauffage s'allument en même temps.

Le chauffage est actif tant que la température de l'eau n'a pas atteint la température de consigne. Le système de chauffage redémarre automatiquement lorsque la température de l'eau baisse de 2°C en-dessous de la température de consigne. Température maximale de chauffage: 40°C (104°F)

Important:

Après 150 heures cumulées de fonctionnement de la filtration, une alarme sonore retentit et l'afficheur LCD affichera les caractères CHG puis FIL pour vous rappeler de nettoyer le filtre. Maintenez enclenché le bouton de la filtration pendant 5 secondes pour arrêter l'alarme. Le système de filtration s'arrête.

Remarque:

- Le système de chauffage est dépendant du système de filtration et il ne peut fonctionner sans.
- Après avoir arrêté le système de chauffage, le système de filtration continue à fonctionner.
- Si la fonction massage est active, les fonctions filtration et chauffage ne peuvent s'activer.

6.3. Couverture & Sécurité (Optionnel)

Après chaque utilisation, le panneau de contrôle doit-être verrouillé et le bassin doit être recouvert de sa bâche de protection et celle-ci doit être rattachée à la bâche au sol à l'aide des boucles de sécurité.

Chaque boucle de sécurité est équipée d'un système de verrouillage ; boucle fermée, le loquet vers le haut verrouille la boucle, le loquet vers le bas la déverrouille.

La couverture du spa préserve la chaleur de l'eau et sécurise le bassin.



7. Entretien

7.1. Entretien de l'eau

ATTENTION: La mauvaise qualité de l'eau peut nuire à votre santé.

Selon la fréquence et les conditions d'utilisation:

- La cartouche de filtration doit être régulièrement nettoyée (150 heures max).
- La cartouche de filtration doit être remplacée tous les 1 à 2 mois.
- L'eau du bassin doit être changée tous les 15 à 30 jours.

Équipez-vous d'un kit de test pour contrôler les paramètres de l'eau avant chaque utilisation du spa, ou au moins une fois par semaine. Veuillez utiliser des produits de désinfection adaptés au spa. Les produits de traitement doivent être utilisés avec précaution et il est donc impératif de vous référer à leur notice d'utilisation. Les dommages résultant d'une mauvaise utilisation des produits de traitement ne sont pas couverts par la garantie (surdosage, traitement choc, ...).

1. Équilibre de l'eau Le pH de l'eau doit être maintenu entre 7 et 7.4.
2. Assainissement de l'eau Pour désinfecter l'eau du bassin, nous vous suggérons d'utiliser un traitement à base d'oxygène actif ou de brome placé dans un doseur flottant. (Doseur vendu séparément).

7.2. Entretien et remplacement de la cartouche de filtration

Une cartouche de filtration encrassée ou percée peut contaminer l'eau de la piscine et endommager le bloc moteur.

1. Dévissez le support de filtration en la tournant dans le sens inverse des aiguilles d'une montre puis retirez la cartouche de filtration de son support.
2. Rincez la cartouche filtrante avec un tuyau de jardin. Si le filtre reste sale et décoloré, la cartouche doit être remplacée. Remplacez la cartouche de filtration dans son support.
3. Revissez le support de filtration.



7.3. Vidange et Stockage

Vidange

- 1). Vérifiez que la bonde au fond du bassin est bien bouchée.
- 2). Dévissez le bouchon de vidange à l'extérieur du bassin.
- 3). Retirez le bouchon de vidange au fond du bassin. Videz complètement toute l'eau contenu dans le spa.

Une fois vidé, le bassin peut être nettoyé avec du savon et l'eau.

Stockage

- 5). Appuyez sur le bouton massage pour faire sortir l'eau située à l'intérieur des trous des jets. Débranchez la pompe puis retirez la cartouche filtrante.
- 6). Utilisez une serviette propre pour essuyer le bassin puis laissez sécher 24 heures.
- 7). Dévissez la valve d'air pour dégonfler la structure.
- 8). Repliez la structure

Il est recommandé de stocker le spa dans son emballage d'origine dans un lieu chaud et sec.

7.4. Kit de réparation

Les petits trous ou les crevaisons peuvent être réparés grâce au kit de réparation livré

avec le spa ainsi qu'une colle spéciale liner adaptée (non fournie).

- 1). Trouver la fuite.
- 2). Nettoyez soigneusement la zone autour de la fuite.
- 3). Coupez un morceau de matériau de réparation de forme ronde, devant être plus grand que la zone endommagée.
- 4). Appliquez la colle sous la rustine et autour de la zone à réparer.
- 5). Positionnez la rustine sur la zone endommagée et appuyez fermement. Laissez sécher pendant 12 à 24 heures. Une fois sec, appliquez de la colle tout autour de la rustine pour une herméticité complète (laissez sécher 4 heures).



8. PROBLÈMES ET SOLUTIONS

8.1. Problèmes et solutions

Voici quelques conseils utiles pour vous aider à diagnostiquer et à corriger les sources possibles de problèmes.

Problème	Cause	Solution
L'écran du bloc moteur est éteint	Vérifiez la source d'alimentation	Panne électrique
		Réarmez la prise différentielle / vérifiez que la source d'alimentation soit adaptée.
		Contactez un technicien s'il ne se réarme pas
L'eau ne chauffe pas suffisamment	La température définie est trop basse	Réglez à une température plus élevée
	Cartouche de filtration encrassée	Nettoyez ou remplacez la cartouche (cf chapitre 5.2)
	Niveaux d'eau trop bas	Ajoutez de l'eau jusqu'au niveau d'eau minimum
	Élément chauffant en panne	Contactez un technicien
Le système de massage à bulles ne fonctionne pas	La pompe est en surchauffe	Coupez l'alimentation et attendez que le bloc moteur refroidisse.
	La fonction d'arrêt automatique après 30 minutes est activée	Appuyez sur le bouton bulles pour le réactiver
	Dysfonctionnement du bloc moteur	Contactez un technicien s'il ne se réinitialise pas
La filtration d'eau ne fonctionne pas	Cartouche de filtration encrassée	Nettoyez ou remplacez la cartouche (cf chapitre 5.2)
	Aspiration et/ou refoulement bouchés	Nettoyez la bouche d'aspiration et/ou de refoulement
	De l'air s'est introduit dans le circuit.	Ajoutez de l'eau jusqu'au niveau d'eau minimum
	Dysfonctionnement du bloc moteur	Contactez un technicien s'il ne se réinitialise pas
Fuite de la pompe	Les raccords ne sont pas reliés correctement	Vérifiez le serrage des raccords ainsi que la présence de joint
	Fuite d'eau au niveau du bloc moteur	Contrôler l'état du bloc moteur, puis contactez un technicien
Fuite du spa	Le bassin est déchiré ou perforé	Utilisez le kit de réparation fournie (cf chapitre 5.4)
L'eau n'est pas propre	Durée de filtration insuffisante	Augmentez le temps de filtration
	Cartouche de filtration encrassée	Nettoyez ou remplacez la cartouche (cf chapitre 5.2)
	Qualité de l'eau	Changez l'eau du bassin
	Traitement de l'eau inadéquat	Consultez les notices des produits de traitement
CHG FIL	Après 150 heures cumulées de fonctionnement de la filtration, une alarme sonore retentit et l'afficheur LCD affichera les caractères CHG puis FIL pour vous rappeler de nettoyer le filtre. Maintenez enclenché le bouton de la filtration pendant 5 secondes pour arrêter l'alarme. Le système de filtration s'arrête.	

8.2 Voici la liste des codes erreurs que vous pourriez rencontrer.

Code Erreur	Problème	Cause	Solution
E1	L'eau ne chauffe pas suffisamment.	Dysfonctionnement du capteur de température	Contactez le support technique
E2	L'eau ne chauffe pas. La température de l'eau est trop élevée.	1 La température de l'eau dépasse 45°C (117°F) 2 La cartouche du filtre a été mise sur le mauvais raccord d'aspiration (raccord d'aspiration plus élevé)	1. Coupez l'alimentation et attendez que l'eau du bassin refroidisse. Si le problème persiste contactez le support technique. 2 Il est nécessaire de placer la cartouche du filtre sur le raccord d'aspiration plus bas.
E4	Le bloc moteur ne fonctionne plus et l'alarme retentit. La température de l'eau est trop basse.	La température de l'eau est en dessous de 4°C (40°F)	Coupez l'alimentation et attendez que l'eau du bassin se réchauffe. Si le problème persiste contactez le support technique.
E5	Le bloc moteur ne fonctionne plus et l'alarme retentit. La température de l'eau est trop élevée.	La température de l'eau dépasse 50°C (122°F)	Coupez l'alimentation et attendez que l'eau du bassin refroidisse. Si le problème persiste contactez le support technique.
E6	La filtration et le chauffage ne fonctionnent pas et l'alarme retentit. La pression de l'eau n'est pas assez forte.	Cartouche de filtration encrassée	Nettoyez ou remplacez la cartouche (cf chapitre 5.2)
		Aspiration et/ou refoulement bouchés	Nettoyez la bouche d'aspiration et/ou de refoulement
		Niveau d'eau trop bas	Ajoutez de l'eau jusqu'au niveau d'eau minimum

9. Garantie

INSTRUCTIONS IMPORTANTES RELATIVES À LA SÉCURITÉ - LIRE ET SUIVRE TOUTES LES INSTRUCTIONS. Pour votre propre sécurité et celle de votre produit, veillez à respecter les précautions liées à la sécurité ci-dessous. Le fait de ne pas respecter les instructions peut entraîner des blessures graves, des dommages matériels ou la mort. Une installation ou une utilisation inappropriée va annuler la garantie. Les produits EXIT Toys ont été inspectés et déclarés exempts de tout défaut avant de quitter l'usine. EXIT Toys garantit ce produit contre les défauts de matériel et de fabrication pendant une période de temps d'un an pour la pompe et de 6 mois pour le revêtement, à moins que la législation locale n'exige une garantie spéciale. EXIT Toys garantit ce produit à compter de la date d'achat et EXIT Toys exige la présentation de la preuve originale à l'achat pour établir la date. Au cours de la période de garantie, EXIT Toys va réparer ou remplacer, à sa discrétion, tout produit défectueux. Les produits de remplacement ou les pièces réparées ne sont alors garantis que pour la partie non expirée de la garantie d'origine.

Politique de frais de port

Le retour des pièces défectueuses au centre de réparation agréé est à la charge du

propriétaire. Au cours de la période de garantie, le retour est à la charge du centre de réparation.

Politique de garantie

Cette garantie limitée ne s'applique pas aux défauts résultant d'une négligence, d'un accident, d'une utilisation abusive ou de toute autre raison échappant au contrôle raisonnable d'EXIT Toys . Ceci inclut, sans s'y limiter l'usure normale, la négligence ou le non-respect des instructions du produit, une maintenance incorrecte ou inadéquate; un raccordement à une alimentation électrique inadéquate; les dégâts chimiques causés par l'eau, la perte d'eau de piscine, la modification ou la réparation non autorisée du produit; l'utilisation à des fins commerciales; les incendies, la foudre, les inondations et autres causes externes. Cette garantie n'est valable que dans le pays d'achat, dans les pays où EXIT Toys vend et entretient le même modèle avec les mêmes caractéristiques techniques. Le service de garantie hors du pays d'achat est limité aux termes et conditions de la garantie correspondante dans le pays de réparation. Si les frais de réparation ou de remplacement ne sont pas couverts par cette garantie, EXIT Toys en informe les propriétaires et ces frais sont à la charge de ce dernier.

Cette garantie s'applique uniquement à l'acheteur initial et prend fin lors de tout transfert de propriété. Toutes les réparations demandées dans le cadre de la garantie doivent être préalablement autorisées par un centre de réparation EXIT Toys .

Chaque revendeur agréé est responsable de tous les travaux d'entretien sur site effectués sur votre produit EXIT Toys . EXIT Toys ne sera pas responsable des résultats du coût de la main d'oeuvre pour un réparateur non agréé.

Enregistrement de la garantie

Afin de valider votre garantie, enregistrez votre produit sur notre site Web EXIT Toys: www.exittoys.com. Il est essentiel que toutes les informations, y compris le nom du client, la date d'achat, le numéro de série, le modèle de spa soient indiquées. Sans ces informations, la garantie n'est pas valide.

2.0 Úvod

Gratulujeme k výberu vŕivky EXIT Toys!

Zabávajte sa, buďte aktívni a hrajte sa vonku.....

To je to, čo nás ženie k vývoju inovatívnych, kvalitných hračiek pre skvelé deti a rodičov.

Robíme všetko preto, aby sme vyvíjali bezpečné výrobky pre deti. Pretože naše výrobky sú klasifikované ako hračky, dodržiavame najprísnejšie predpisy pre bezpečnosť spotrebiteľov. Pred uvádzaním našich výrobkov na trh nechávame vykonávať nezávislé testy na certifikáciu. Neustále tiež testujeme výrobné procesy a pravidelne nechávame vykonávať nezávislé testy ako ďalšiu kontrolu. Značkou EXIT sú označené a uznané len výrobky, ktoré spĺňajú najvyššie štandardy EXIT Toys.

„Chceme sa vám poďakovať za vašu priazeň a dôveru v tento produkt. Sme si istí, že vaše deti sa budú baviť tak, ako sme sa bavili my počas vývoja. Otvorene hovoríme, že si skutočne vážime všetky komentáre a nápady, ktoré nám pomôžu vylepšovať naše výrobky alebo vyvíjať nové. Svoje nápady nám posielajte na adresu info@exit-toys.com“

Navštívte stránku www.exittoys.com a objavte viac skvelých nových produktov.

Tím EXIT Toys

3.0 Guidelines for safe use



Pred inštaláciou a používaním vírivky si pozorne prečítajte, pochopte a dodržiavajte všetky informácie v tejto používateľskej príručke. Tieto varovania, inštrukcie a bezpečnostné zásady sa zameriavajú na niektoré bežné riziká vodnej rekreácie, nemôžu však pokryť všetky riziká a nebezpečenstvá vo všetkých prípadoch. Keď sa venujete akejkoľvek vodnej činnosti, buďte vždy opatrní, dbajte na zdravý rozum a dobrý úsudok. Prečítajte si ich pozorne a



1. Po celý čas je potrebný nepretržitý, aktívny a bdelý dohľad nad slabšími plavcami a neplavcami kompetentným dospelým (pamätajte, že najvyššie riziko utopenia je u detí do päť rokov)

2. Určite spôsobilú dospelú osobu, ktorá bude dozerať na vírivku pri každom jej použití;

3. Slabí plavci alebo neplavci musia pri používaní vírivky používať osobné ochranné prostriedky;

4. Ak sa vírivka nepoužíva alebo nie je pod dohľadom, vyberte všetky hračky z vírivky a jej okolia, aby neprilákali deti do vírivky.



Bezpečnostné zariadenia

1. Odporúča sa nainštalovať zábranu (a prípadne zabezpečiť všetky dvere a okná), ktorá zabráni neoprávnenému prístupu do vírivky;

2. Zábrany, kryty víriviek, bazénové alarmy alebo podobné bezpečnostné zariadenia sú užitočnými pomôckami, ale nenahrádzajú nepretržitý a kompetentný dohľad dospelšej osoby.



Bezpečnostné vybavenie

1. Pri vírivke sa odporúča mať záchranné vybavenie (napr. záchranné koleso);

2. V blízkosti vírivky majte funkčný telefón a zoznam tiesňových telefónnych čísel.

Bezpečné používanie vírivky

1. Podporujte všetkých používateľov, najmä deti, aby sa naučili plávať; 2. Naučte sa základnú neodkladnú podporu životných funkcií (kardio-pulmonálna resuscitácia - KPR) a pravidelne si tieto vedomosti obnovujte. To môže byť v prípade núdze život zachraňujúci rozdiel.

3. Poučte všetkých používateľov vírivky, vrátane detí, čo majú robiť v prípade núdze;

4. Nikdy neskáčte hlavou napred do žiadnej plytkej vody. To môže viesť k vážnemu úrazu alebo smrti;

5. Nepoužívajte plavecký bazén, keď užívate alkohol alebo lieky, ktoré môžu zhoršiť vašu schopnosť bezpečne používať tento bazén;

6. Ak sa používajú kryty vírivky, pred vstupom do vírivky ich úplne odstráňte z povrchu vody;

7. Chráňte používateľov vírivky pred chorobami súvisiacimi s vodou

čistením vody vo vírivke a dodržiavaním správnej hygieny. Prečítajte si pokyny týkajúce sa úpravy vody v používateľskej príručke.

8. Skladujte chemikálie (napr. výrobky na úpravu vody, čistiace alebo dezinfekčné prostriedky) mimo dosahu detí.

9. Použite značenie, ako je uvedené nižšie;

10. Odnímateľné rebríky musia byť umiestnené na vodorovnej ploche.

VAROVANIE: vírivky bez vody vonku môžu predstavovať neznáme riziká.

VAROVANIE: Inštaláciu a montáž musia vykonávať dospelí.

VAROVANIE: Prečítajte si a dodržiavajte pokyny na používanie a údržbu, aby ste zaistili bezpečné použitie plaveckého bazéna. Nedodržiavanie pokynov na použitie a údržbu môže spôsobiť vážne zdravotné riziká, najmä pre deti.

VAROVANIE: Len na domáce vonkajšie použitie.

VAROVANIE: Nebezpečenstvo utopenia. Deti sa môžu utopiť vo veľmi malom množstve vody.

VAROVANIE: Pokiaľ vírivku nepoužívate, vyprázdňte ju. Nenechávajte malú vírivku prázdnu vonku.

VAROVANIE: Udržujte deti pod dohľadom vo vodnom prostredí.

VAROVANIE: Zákaz skákania hlavou napred.

PREČÍTAJTE SI VŠETKY INŠTRUKCIE A BEZPEČNOSTNÉ VAROVANIA V TEJTO PRÍRUČKE.

Nedodržanie varovaní a inštrukcií v tomto návode môže mať za následok vážne zranenie, utopenie alebo úraz elektrickým prúdom. Riziko je najvyššie u detí mladších ako 5 rokov. Stále buďte v strehu.

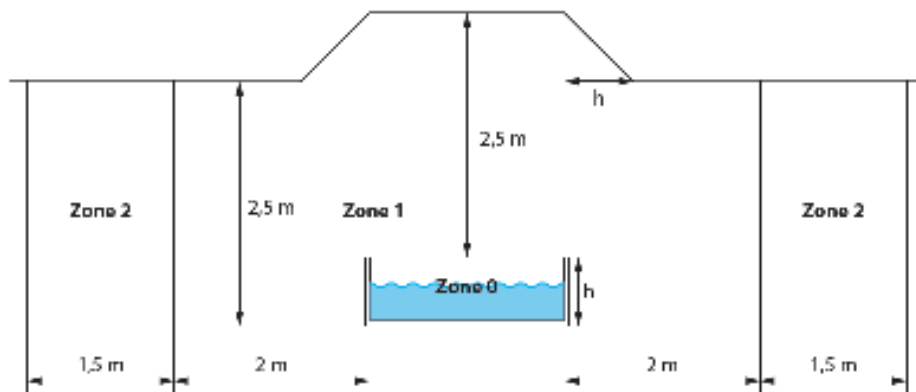
Vždy dodržujte nasledujúce pokyny:

- deti musia byť pod dôsledným a neustálym dohľadom;
- Určte jedného zodpovedného za bezpečnosť;
- Vždy určte zodpovednú osobu pre správu vírivky a priestoru s vírivkou;
- Dohľad dospelou osobou musí vždy zodpovedať počtu osôb využívajúcich vírivku;
- Pred vstupom do vody si namočte zátylok, hrudník a nohy;
- Osvojte si bezpečnostné gestá a najmä zvláštnosti pre deti;
- Zakážete potápanie a skákanie;
- Zakážete behanie a rozstrekovanie vody okolo vírivky;
- Nedovoľte, aby dieťa bez dozoru, ktoré nevie plávať, používalo vírivku bez oblečenej záchranej vesty.
- Nenechajte nikoho hrať sa okolo a vo vírivke bez dozoru;
- Výrobky na úpravu vody uchovávajúce vždy mimo dosahu všetkých detí.

Ak dôjde k nehode, vyneste zranenú osobu alebo dieťa z vírivky a priestoru s vírivkou. Požiadajte záchrannú službu o radu a odborné vedenie, ako zaobchádzať so zranenou osobou alebo dieťaťom. Elektrické pripojenie horúcej vírivky musí byť nainštalované v elektrických bezpečnostných zónach označených 1, 2 alebo mimo všetkých bezpečnostných zón. Merané zóny sú obmedzené stenami a pevnými priečkami.

NEBEZPEČENSTVO Riziko náhodného utopenia:

- Je potrebné dbať na maximálnu opatrnosť, aby sa zabránilo neoprávnenému prístupu detí.



- Pravidelne kontrolujte kryt vŕivky, či nedochádza k úniku, predčasnému opotrebovaniu, poškodeniu alebo či nemá známky zhoršenia stavu. Nikdy nepoužívajte opotrebovaný alebo poškodený kryt: neposkytuje požadovanú úroveň ochrany, aby sa zabránilo prístupu dieťaťa do vŕivky bez dozoru.
- Po každom použití kryt vŕivky vždy uzamknite.

Nebezpečenstvo úrazu: Ak je napájací kábel poškodený, musí ho vymeniť výrobca, jeho servisný pracovník alebo podobne kvalifikované osoby, aby sa zabránilo ohrozeniu. Riziko úrazu elektrickým prúdom:

- Nedovoľte, aby do 1,5 m (5 stôp) od vŕivky boli elektrické zariadenia, ako napríklad svetlo, telefón, rádio alebo televízia.
- Nepoužívajte vŕivku, keď prší, hrmí alebo sa blýska.

VAROVANIE

- Aby ste znížili riziko úrazu elektrickým prúdom, nepoužívajte na pripojenie jednotky k elektrickej sieti predlžovací kábel, časovače, zástrčkové adaptéry alebo konvertory zástrčiek; zabezpečte správne umiestnenú zásuvku.
- Elektrické vybavenie vŕivky musí byť napájané cez prúdový chránič (RCD), ktorého menovitý poruchový prúd nepresahuje 10 mA.
- Diely obsahujúce živé časti, s výnimkou častí napájaných bezpečným veľmi nízkym napätím nepresahujúcim 12 V, musia byť pre osoby vo vŕivke neprístupné.
- Časti, ktoré obsahujú elektrické komponenty, okrem zariadení na diaľkové ovládanie, musia byť umiestnené alebo pripevnené tak, aby nemohli spadnúť do vŕivky.
- Bytová elektrická pripojovacia skrinka musí byť umiestnená bezpečne vo vzdialenosti najmenej 2 m od vŕivky.
- Elektrická inštalácia musí spĺňať miestne požiadavky alebo normy.
- Tento spotrebič môžu používať deti vo veku od 8 rokov a osoby so zníženými fyzickými, zmyslovými alebo duševnými schopnosťami alebo s nedostatkom skúseností a znalostí, ak sú pod dozorom alebo po poučení o bezpečnom používaní spotrebiča a rozumejú súvisiacim rizikám.
- Deti sa so spotrebičom nesmú hrať. Čistenie a používateľskú údržbu nesmú vykonávať deti bez dozoru.
- Z dôvodu zníženia rizika alebo úrazu nedovoľte deťom používať tento výrobok, pokiaľ nie sú neustále dôsledne sledované.
- Z dôvodu zníženia rizika utopenia detí, neustále na ne dohliadajte. Po každom

použití nasadte a uzamknite kryt vírivky.

- Uistite sa, že podlaha je schopná uniesť očakávané zaťaženie ($\geq 500 \text{ kg / m}^2$).
- Okolo vírivky musí byť zabezpečený adekvátny odtokový systém, ktorý odvedie pretečenú vodu.

- Aby ste predišli poškodeniu, nenechávajte spotrebič dlhší čas prázdny.

- Aby nedošlo k poškodeniu čerpadla, vírivka sa nesmie nikdy prevádzkovať, pokiaľ nie je naplnená vodou.

- Ak sa cítite neprijemne alebo ospalo, okamžite opustite vírivku. Na zníženie rizika úrazu:

- Pre malé deti a pri používaní vírivky dlhšie ako 10 minút sa odporúčajú nižšie teploty vody.

- Aby sa zabránilo možnému prehriatiu osoby (tepelnému stresu), odporúča sa, aby priemerná teplota vody vo vírivke-bazéne nepresiahla 40°C (104°F).

- Pretože nadmerné teploty vody majú vysoký potenciál spôsobiť poškodenie plodu v prvých mesiacoch tehotenstva, musia tehotné alebo potenciálne tehotné ženy obmedziť teplotu vody v bazéne na 38°C (100°F).

- Pred vstupom do vírivky alebo vany s horúcou vodou by mal užívateľ zmerať teplotu vody presným teplomerom, pretože tolerancia zariadení na reguláciu teploty vody sa líši.

- Užívanie alkoholu, drog alebo liekov pred alebo počas používania vírivky môže viesť k bezvedomiu s možnosťou utopenia.

- Užívanie alkoholu, drog alebo liekov môže výrazne zvýšiť riziko smrteľného prehriatia osoby vo vírivke.

- Príčiny a príznaky prehriatia možno opísať nasledovne:

- Prehriatie nastáva, keď vnútorná teplota tela dosiahne úroveň niekoľko stupňov nad normálnu teplotu tela 37°C ($98,6^\circ\text{F}$). Medzi príznaky prehriatia patrí zvýšenie vnútornej teploty tela, závraty, letargia, ospalosť a mdloby. Medzi účinky prehriatia patrí neschopnosť vnímať teplo; neschopnosť uvedomiť si potrebu opustiť vírivku; nevedomenie si hroziaceho nebezpečenstva; fatálne poškodenie u tehotných žien; fyzická neschopnosť opustiť vírivku; a bezvedomie, ktoré má za následok nebezpečenstvo utopenia.

- Obézne osoby alebo osoby s anamnézou srdcových chorôb, nízkym alebo vysokým krvným tlakom, problémami obehového systému alebo cukrovkou sa musia pred použitím vírivky poradiť s lekárom.

- Osoby užívajúce lieky sa musia pred použitím vírivky poradiť s lekárom, pretože niektoré lieky môžu vyvolávať ospalosť, zatiaľ čo iné lieky môžu ovplyvňovať tepovú frekvenciu srdca, krvný tlak a krvný obeh.

- Ak ste tehotná, diabetička, máte zlý zdravotný stav alebo ste v lekárskej starostlivosti, pred použitím vírivky sa poraďte s lekárom.

- Ľudia s infekčnou chorobou nesmú používať vírivku alebo vaňu s horúcou vodou.

Aby ste predišli úrazu, dávajte pozor pri vchádzaní alebo vychádzaní z vírivky alebo vane s horúcou vodou.

- Voda s teplotou vyššou ako 40°C (104°F) môže byť zdraviu škodlivá.

- Nikdy nepoužívajte vírivku alebo vaňu s horúcou vodou osamote alebo nedovoľte iným používať vírivku osamote.

- Nepoužívajte vírivku alebo vaňu s horúcou vodou bezprostredne po namáhavom cvičení.

- Nedávajte vírivku do prostredia s teplotou pod 0°C (32°F), aby nedošlo k zamrznutiu, ak je vo vírivke stále voda.

- Nezapínajte vírivku, keď je voda zamrznutá.

- Nikdy priamo nelejte vodu s teplotou vyššou ako 40°C (104°F) do vírivky.

- Pred odstraňovaním, čistením, opravou alebo vykonávaním akýchkoľvek úprav výrobku vždy odpojte tento výrobok z elektrickej zásuvky.
- Nikdy neskáčte hlavou napred ani sa neponárajte do vírivky alebo inej plytkej vody.
- Nezakopávajte elektrický kábel. Kábel umiestnite tam, kde ho nepoškodí kosačky na trávu, plotostrihy a iné vybavenie.
- Nepokúšajte sa zapojiť alebo odpojiť tento výrobok zo zásuvky, keď stojíte vo vode alebo máte mokré ruky.
- Nepoužívajte vírivku, ak je poškodená pri dodávke alebo akýmkoľvek spôsobom nefunguje správne.
- Do vody vo vírivke nepridávajte kúpeľový olej ani soľ do kúpeľa.
- Nenechávajte vonku prázdnu vírivku.
- Aby sa zabránilo opätovnému zapnutiu tepelnej ochrany, nesmie sa tento spotrebič napájať cez externé spínacie zariadenie, ako je časovač, ani pripájať k okruhu, ktorý je pravidelne zapínaný a vypínaný rozvodným závodom.

4. Inštalácia

4.1 Výber miesta

VAROVANIE: Pred inštaláciou vírivky sa uistite, či budúce umiestnenie spĺňa nasledujúce podmienky:

- Vodorovné miesto, aby sa zabránilo akejkoľvek chybe, kýle alebo netesnosti.
- Dost' široké na to, aby unieslo vírivku a jej čerpadlo.
- Schopné uniesť viac ako 500 kg/m².



VAROVANIE: Vírivka nainštalovaná na nedostatočne vyrovnanom povrchu môže byť netesná. tvoriac nepravidelnosti alebo prepadnutia, ktoré môžu viesť k poškodeniu vírivky alebo vážnemu úrazu osôb vo vírivke alebo v jej okolí!

UPOZORNENIE: Vyberte prosím starostlivo montážnu plochu, pretože trávnik a iná požadovaná vegetácia pod podkladovou látkou (ak to pripadá do úvahy) sa zničí. navyše, snažte sa vyhnúť položeniu podkladovej látky.

- Chránené pred slnkom a nepriaznivým počasím.
- Čisté a bez ostrých predmetov.
- Bez agresívnej vegetácie na zemi.

4.2 Skúška prúdového chrániča (RCD)

VAROVANIE: Zástrčka prúdového chrániča (RCD) musí byť pred každým použitím vyskúšaná. Nepoužívajte pri neúspešnej skúške prúdového chrániča (RCD)

Uzemnenie

Odporúča sa využiť služby kvalifikovaného elektrikára, aby ste sa uistili, že je bazén elektricky uzemnený pomocou medeného vodiča s prierezom najmenej 2,5 mm².

crosssection



A place with an awning



Clean the place



A level place



zasaňte zástrčku do sieťovej zásuvky



Stlačte tlačidlo „RESET“, kontrolka sa rozsvieti načerveno.



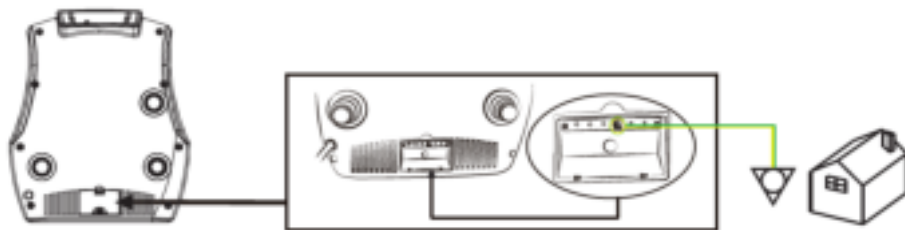
Stlačte tlačidlo „TEST“, kontrolka zhasne



Stlačte tlačidlo „RESET“, kontrolka sa rozsvieti načerveno. Prúdový chránič (RCD) funguje správne

5. Zmontovanie

6.1 Control panel



Varovanie: Nenechávajte vŕivku počas plnenia vodou bez dozoru. Uistite sa, že odtoková armatúra je bezpečne zasunutá a kryt je na svojom mieste. Začnite vŕivku naplňovať vodou. Keď je na dne asi 2,54 cm vody, zastavte plnenie a vyhladte vrásky na dne vŕivky. Vyťahujte vonkajšiu stenu z horného okraja okolo celej spodnej časti vŕivky tak, aby sa rovnomerne plnila. Pokračujte v naplňaní vŕivky na požadovanú výšku hladiny vody.



Rozložte nafukovaciu vírivku na chrániči spodku (voliteľné)



Prineste čerpadlo k nafukovacej vírivke.



Pripojte nafukovaciu hadicu k nátrubku čerpadla.



Vložte nafukovaciu hadicu do nafukovacej vírivky



Pripojte čerpadlo k sieti a potom stlačením tlačidla nafúknite vírivku. Vzduchový ventil zabraňuje nadmernému nafúknutiu vašej vírivky.



Nafukovaciu vírivku nafukujte asi 10 minút. Uistite sa, že je vírivka pevne nafúknutá.



Odpojte nafukovaciu hadicu a pevne zaskrutkujte uzáver.



Pripojte čerpadlo k bazénu pomocou 3 skrutkovacích spojok. Zaisťte, aby ikony na čerpadle a bazéne sú zarovnané.



Umiestnenie vložky podľa obrázka.



Vložte filtračnú vložku do držiaka a potom ju naskrutkujte na spodné sanie vo vnútri nádrže.



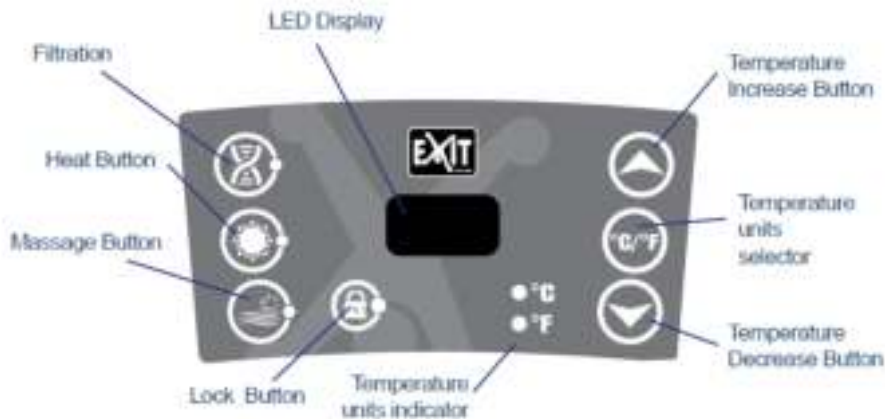
Zaisťte, aby boli odtokové uzávery dobre uzavreté



Vyhľadzte vrásky na spodku vírivky, potom naplňte vírivku po vyznačení výšky hladiny. Vaša vírivka je pripravená.

Po zapnutí LED automaticky zobrazí aktuálnu teplotu vody.

Prepínač jednotiek teploty prepína jednotku teploty zo stupňov Celzia na stupne Fahrenheitia.



Filtrácia, LED displej, tlačidlo zvýšenia teploty, prepínač jednotky teploty, tlačidlo zníženia teploty, indikátor jednotky teploty, tlačidlo uzamknutia, tlačidlo masáže, tlačidlo ohrevu.

Stlačte tlačidlá nastavenia teploty, zobrazovač začne blikať. Keď bliká, môžete nastaviť požadovanú teplotu. Hodnota sa bude zvyšovať alebo znižovať po 1 stupni. Teplota môže byť nastavená od 30°C do 40°C (86°F až 104°F).

Stlačením masážneho tlačidla aktivujete bublinový masážny systém, rozsvieti sa zelená kontrolka. Vypnúť sa dá opätovným stlačením masážneho tlačidla.

Poznámka:

- Masážny systém sa automaticky vypne po 30 minútach prevádzky. Masážnu funkciu znova aktivujte opätovným stlačením masážneho tlačidla.
- Keď je tlačidlo filtra zapnuté, stlačením bublinového tlačidla sa režim filtra prepne do režimu masáže: kontrolka filtra zhasne a kontrolka masáže sa rozsvieti. Ak opäť stlačíte bublinové tlačidlo, masážny režim sa zmení späť na filtračný režim.

Stlačením tlačidla filtra aktivujete filtráciu vody. Zelená kontrolka sa rozsvieti, keď je aktivovaný filtračný systém.

Poznámka: - Ak je zapnutá funkcia masáže, filtráciu nie je možné aktivovať.

Stlačením tlačidla ohrevu súčasne aktivujete ohrev vody a filtračný systém.

Zelená kontrolka filtra a červená kontrolka ohrevu sa rozsvieti súčasne 15MSP-35101-V02. Čerpadlo nezastaví ohrev, kým aktuálna teplota vody nedosiahne nastavenú teplotu; a ohrievací systém sa znovu automaticky spustí, keď aktuálna

teplota vody klesne o 2°C pod nastavenú teplotu. Maximálna teplota ohrevu: 40°C (104°F)

Dôležité:

Po sčítaných 150 hodinách filtrovania zaznie zvukový alarm a na LCD displeji sa zobrazia znaky CHG, za ktorými nasleduje FIL, ktoré vám pripomenú potrebu výmeny alebo vyčistenia filtra. Ak chcete vypnúť pískanie, môžete podržať filtračné tlačidlo stlačené 5 sekúnd. Filtračný systém sa vypne a stlačením tohto tlačidla filtračný systém znova aktivujete.

Poznámka:

- Po spustení ohrievacieho systému začne pracovať aj filtračný systém.
- Po vypnutí ohrievacieho systému bude filtračný systém stále pracovať.
- Ak je funkcia masáže aktívna, nie je možné aktivovať funkciu filtrácie a ohrievania.

6.2 Kryt a ochrana vírivky (voliteľné). Po každom použití musí byť ovládací panel uzamknutý, vírivka musí byť zakrytá horným krytom a ten musí byť pripevnený k chrániču spodku pomocou bezpečnostných spôn. Každá bezpečnostná spona má zámkový systém; zatvorená spona, západka v hornej polohe uzamkne sponu, západka v dolnej polohe odomkne sponu. Horný kryt udržiava teplotu vody a zaisťuje vírivku.

6.3. Údržba vody

VAROVANIE: Zlá kvalita vody vo vírivke môže poškodiť vaše zdravie. V závislosti na frekvencii a podmienkach používania:

- Filtračná vložka musí byť pravidelne čistená (max. po 150 hodinách).
- Filtračná vložka sa musí vymieňať každé 1 až 2 mesiace.
- Voda vo vírivke sa musí vymeniť každých 15 až 30 dní. Pred použitím vírivky alebo aspoň raz týždenne použite na kontrolu parametrov vody súpravu na testovanie vody. Používajte dezinfekčné prostriedky pre vírivky. Ošetrojúce produkty sa musia používať opatrne a je bezpodmienečne potrebné riadiť sa pokynmi ich výrobcov. Na škody spôsobené nesprávnym použitím ošetrojúcich produktov sa nevzťahuje záruka (predávkovanie, ošetrovanie šokom, ...).

1. pH vody. pH vody sa musí udržiavať v rozsahu 7 až 7,4.

2. Dezinfekcia vody. Na dezinfekciu vody vo vírivke odporúčame použiť ošetrovanie na báze aktívneho kyslíka alebo bróm umiestnený v plávajúcom zásobníku. (Zásobník sa predáva samostatne).



7. Údržba

7.1. Čistenie a výmena filtračnej vložky

Znečistená filtračná vložka môže kontaminovať vodu vo vírivke a poškodiť funkciu ohrievania

1. Odskrutkujte puzdro filtra otáčaním doľava. Vyberte filtračnú vložku z puzdra.

2. Filtračnú vložku vypláchnite záhradnou hadicou. Ak filtračná vložka zostáva špinavá a má zmenenú farbu, musíte ju vymeniť.
3. Vložte vyčistenú vložku filtra späť do puzdra a zaskrutkujte ju na vírivku.

7.2 Dezinfekcia

Dezinfekcia vody: Na dezinfekciu vody vo vírivke odporúčame použiť ošetroenie na báze aktívneho kyslíka alebo bróm umiestnený v plávajúcom zásobníku. (Zásobník sa predáva samostatne). Ak je voda silne znečistená, nemali by ste používať vírivku. Očistite vírivku špeciálnym ultrafialovým (UV) osvetlením. Skôr ako to urobíte, vyhľadajte profesionálnu radu a vedenie.

Pozor: Na stenách vírivky sa môžu nahromadiť zvyšky čistiacich prostriedkov a rozpustené pevné látky z plaviek a chemikálií. Na čistenie stien používajte mydlo a vodu a opláchnite ich záhradnou hadicou pomocou priameho silného postreku vodou.



7.3. Vypustenie vody a uskladnenie Drainage

Skontrolujte zátku na spodnej časti vírivky a vypúšťací uzáver.

- 2). Odskrutkujte vypúšťací uzáver.
- 3). Odstráňte zátku na spodnej časti vírivky. Úplne vypustite všetku vodu z vírivky.
- 4). Po vyprázdnení možno vírivku vyčistiť mydlom a vodou.

Uskladnenie

- 5). Stlačením tlačidla bubliniek vyfúknite vodu zo vzduchových trysiek. Odpojte čerpadlo od siete a vyberte filtračnú vložku z vnútornej steny vírivky.
- 6). Pomocou uteráka utrite vírivku a nechajte ju 24 hodín schnúť.
- 7). Odskrutkujte ventily na vypustenie vzduchu z vírivky.
- 8). Poskladajte vírivku.

Odporúča sa skladovať vírivku v pôvodnom obale na teplom a suchom mieste.

7.4. Súprava na opravu

Malé otvory alebo prepichnutie je možné opraviť pomocou priloženej súpravy na opravu a lepidla vyhradeného na vložku vírivky.

- 1). Vyhľadajte miesto úniku vzduchu.
- 2). Dôkladne vyčistite okolie miesta úniku vzduchu.
- 3). Odrežte kúsok opravného materiálu v okrúhlym tvare, ktorý by mal byť väčší ako poškodené miesto.
- 4). Naneste lepidlo na spodnú stranu záplaty a okolo miesta, ktoré sa má opraviť.
- 5). Nalepte záplatu na poškodené miesto a pevne ju pritlačte. Opravené miesto nechajte 12 hodín zaschnúť. Po zaschnutí záplaty naneste po jej okrajoch lepidlo na úplné utesnenie (schnúť 4 hodiny).

8. Riešenie problémov

8.1 Bežné problémy. Tu je niekoľko užitočných rád, ktoré vám pomôžu diagnostikovať a napraviť bežné zdroje problémov.

8.2. Kód chyby

Ak sa na obrazovke zobrazí chybový kód „Ex“, pozrite si nasledujúcu tabuľku. Kód chyby E3, E4, E5, E6. Odpojte elektrické napájanie na 5 minút a potom ho znova pripojte.

Ak sa kód chyby stále zobrazuje na ovládacom boxe, postupujte podľa nasledujúcich pokynov:

- 1). Skontrolujte, či je hladina vody medzi horným a dolným limitom.
- 2). Vyčistite alebo vymeňte vložku filtra.
- 3). Odskrutkujte a vyčistite 2 trysky (prívod a vývod vody) vo vnútri vírivky a v prípade potreby odstráňte odpad (chlpy, srst, pokožka ...)
- 4). Skontrolujte, či na vrtuli filtračného čerpadla nie sú cudzie látky. Vírivku znova odpojte na 5 minút od elektrického napájania a znovu pripojte. Ak sa kód chyby stále zobrazuje na ovládacom boxe, obráťte sa na servisné stredisko.



Problém	Príčina	Riešenie
Nefunguje ovládací panel	Skontrolujte napájací zdroj	<ul style="list-style-type: none"> • Porucha napájania • Nahodte prúdový chránič (RCD) / skontrolujte, či je elektroinštalácia prispôsobená výkonovému čerpadlu. • Ak to nepomôže, zavolajte do servisu
Čerpadlo vírivky neohrieva správne	<ul style="list-style-type: none"> • Je nastavená príliš nízka teplota • Je špinavá vložka filtra • Hladina vody vo vírivke je príliš nízka • Porucha ohrievacieho telesa 	<ul style="list-style-type: none"> • Nastavte na vyššiu teplotu • Vyčistite alebo vymeňte vložku (pozrite si kapitolu 5.2) • Naplňte vodu na minimálnu hladinu • Zavolajte do servisu
Správa týkajúca sa bubliniek systém nefunguje	<ul style="list-style-type: none"> • Čerpadlo sa prehrieva • Je aktivovaná funkcia automatického vypnutia (30 minút) • Porucha čerpadla 	<ul style="list-style-type: none"> • Vypnite napájanie a počkajte, kým čerpadlo nevychladne. • Stlačením tlačidla prebublávania ho znova aktivujte • Ak to nepomôže, zavolajte do servisu
Nefunguje filtrácia vody	<ul style="list-style-type: none"> • Je špinavá vložka filtra • Prívod a vývod je zablokovaný • Vzduch v čerpadle • Porucha čerpadla 	<ul style="list-style-type: none"> • Vyčistite alebo vymeňte vložku (pozrite si kapitolu 5.2) • Vyčistite prívod a vývod • Naplňte vodu na minimálnu hladinu • Ak to nepomôže, zavolajte do servisu
Únik na čerpadle	<ul style="list-style-type: none"> • Adaptér netesní správne • Únik vody z telesa čerpadla 	<ul style="list-style-type: none"> • Správne založte tesnenie • Skontrolujte teleso čerpadla, zavolajte servis
Netesnosť vírivky	Vírivka je roztrhnutá alebo prepichnutá	Použite dodanú súpravu na opravu (pozri kapitolu 5.4)
Voda nie je čistá	<ul style="list-style-type: none"> • Nepostačujúca doba filtrácie • Je špinavá vložka filtra • Zlá kvalita vody • Nesprávne ošetrovanie vody 	<ul style="list-style-type: none"> • Predĺžte dobu filtrácie • Vyčistite alebo vymeňte vložku (pozrite si kapitolu 5.2) • Úplne vymeňte vodu v bazéne • Prečítajte si pokyny výrobcu chemikálie
CHG FIL	Po sčítaných 150 hodinách filtrovania zaznie zvukový alarm a na LCD displeji sa zobrazia znaky CHG, za ktorými nasleduje FIL, ktoré vám pripomenú potrebu výmeny alebo vyčistenia	

Kód	Situácia	Problém	Príčiny	Riešenia
E1	Ohrievanie nefunguje správne	Chybný snímač regulácie teploty	Skratovaný alebo rozpojený snímač regulácie teploty	Kontaktujte servisné stredisko
E3	Ohrievanie nefunguje správne	Indikátor vysokej teploty vody	1. Voda má viac než 45°C (113°F)	1. Vypnite napájanie, uistite sa, že voda v bazéne má teplotu medzi 2°C~44°C (36°F~111°F). Ak sa týmto problém neodstráni, pozrite si box nižšie.
			2. Filtračná vložka bola nasadená na nesprávnu saciu armatúru (vyššia sacia armatúra)	2. Vložte filtračnú vložku na spodnú saciu armatúru
E4	Všetky funkcie nepracujú, písa bzučiak	Indikátor nízkej teploty vody	Teplota vody v bazéne je nižšia než 2°C (36°F)	1. Vypnite napájanie, uistite sa, že voda v bazéne má teplotu medzi 2°C~44°C (36°F~111°F).
				2. Ak sa týmto problém neodstráni, pozrite si box nižšie.
E5	Všetky funkcie nepracujú, písa bzučiak	Indikátor vysokej teploty vody	Voda má viac než 50°C (122°F)	1. Odpojte napájanie, obráťte sa na kvalifikovaného elektrikára aby resetoval tepelný vypínač popísaný v nasledujúcom odseku.
				2. Ak sa týmto problém neodstráni, pozrite si box nižšie.
E6	Nesprávne ohrievanie a filtrovanie. Písa bzučiak	Tlak vody nie je dostatočne veľký na aktivovanie ohrievania.	• <input type="checkbox"/> <input type="checkbox"/> <input type="checkbox"/> Prívod a vývod na vnútornej stene sú zablokované.	• <input type="checkbox"/> <input type="checkbox"/> Vyčistite prívod a vývod
			• <input type="checkbox"/> <input type="checkbox"/> Je príliš špinavá vložka filtra	• <input type="checkbox"/> <input type="checkbox"/> Vyčistite alebo vymeňte vložku filtra.
			• <input type="checkbox"/> <input type="checkbox"/> Voda v bazéne nedosahuje minimálnu hladinu	• <input type="checkbox"/> <input type="checkbox"/> Prilejte vodu, aby ste dosiahli správnu hladinu vody
			• <input type="checkbox"/> <input type="checkbox"/> Neuvoľnený vzduch z čerpadla.	• <input type="checkbox"/> <input type="checkbox"/> Znova uvoľnite vzduch podľa pokynov
				• <input type="checkbox"/> <input type="checkbox"/> Ak sa týmto problém neodstráni, pozrite si box nižšie.

Výrobky EXIT Toys boli skontrolované a bolo zistené, že neobsahujú chyby pred opustením závodu. EXIT Toys dáva záruku na tento výrobok na chyby v materiáli a prevedenie na dobu 1 rok na čerpadlo a 6 mesiacov na vložku, ak to miestny zákon nešpecifikuje ináč. EXIT Toys záruka na tento produkt sa začína dňom nákupu a EXIT Toys vyžaduje predloženie originálneho dokladu o kúpe, na zistenie dátumu. Počas záručnej doby EXIT Toys buď opraví, alebo vymení, podľa vlastného uváženia, akékoľvek chybné výrobky. Na náhradné výrobky alebo opravené diely bude platiť záruka iba v dĺžke neuplynutej časti pôvodnej záruky.

Pravidlá nákladov na dopravu

Vrátenie chybných dielov autorizovanému servisnému stredisku je hradené majiteľom. V záručnej dobe je vrátenie tovaru hradené servisným strediskom.

Záručná politika

Táto obmedzená záruka sa nevzťahuje na chyby spôsobené nedbanlivosťou, nehodou, nesprávnym používaním alebo z iného dôvodu, ktorý je mimo primeranej kontroly EXIT Toys, vrátane ale nie obmedzené na: bežné opotrebenie, nedbalosť alebo nedodržiavanie pokynov k výrobku

nesprávna alebo neprimeraná údržba; pripojenie k nesprávnej napájacej sieti; chemické poškodenie vodou, strata vody vírivky, nepovolená úprava výrobku alebo oprava; používanie na komerčné účely; požiar, blesk, povodeň alebo iné vonkajšie príčiny.

Táto záruka je platná iba v krajine nákupu v krajinách, kde EXIT Toys predáva a servisuje rovnaký model s rovnakými technickými špecifikáciami. Záručný servis mimo krajiny zakúpenia je obmedzený na zmluvné podmienky zodpovedajúcej záruky v krajine servisu. Kde cena práv alebo výmeny nie je krytá touto zárukou, Exist Toys poradí majiteľom a náklady budú účtované majiteľovi. Táto záruka platí iba pre pôvodného kupujúceho a končí sa akýmkoľvek prevodom vlastníctva. Všetky opravy, na ktoré

sa vzťahuje záruka, musia byť predbežne autorizované servisným strediskom EXIT Toys. Všetci

autorizovaní predajcovia sú zodpovední za všetky terénne servisné práce na vašom výrobku EXIT Toys. EXIT Toys nebude zodpovedať za náklady na spracovanie od neoprávneného servisného technika.

Registrácia záruky

Ak chcete potvrdiť svoju záruku, zaregistrujte svoj výrobok na našej webovej stránke EXIT

Toys: www.EXITToys.com. Je nevyhnutné, aby boli uvedené všetky informácie vrátane mena zákazníka, dátumu nákupu, sériového čísla a modelu vírivky. Bez týchto informácií záruka bude neplatná.



Contact:
Dutch Toys Group
Edisonstraat 83, 7006RB, Doetinchem , the Netherlands
P.O. Box 369, 7000AJ, Doetinchem, the Netherlands

info@exittoys.com
www.exittoys.com

EXIT is a registered trade mark of Dutch Toys Group