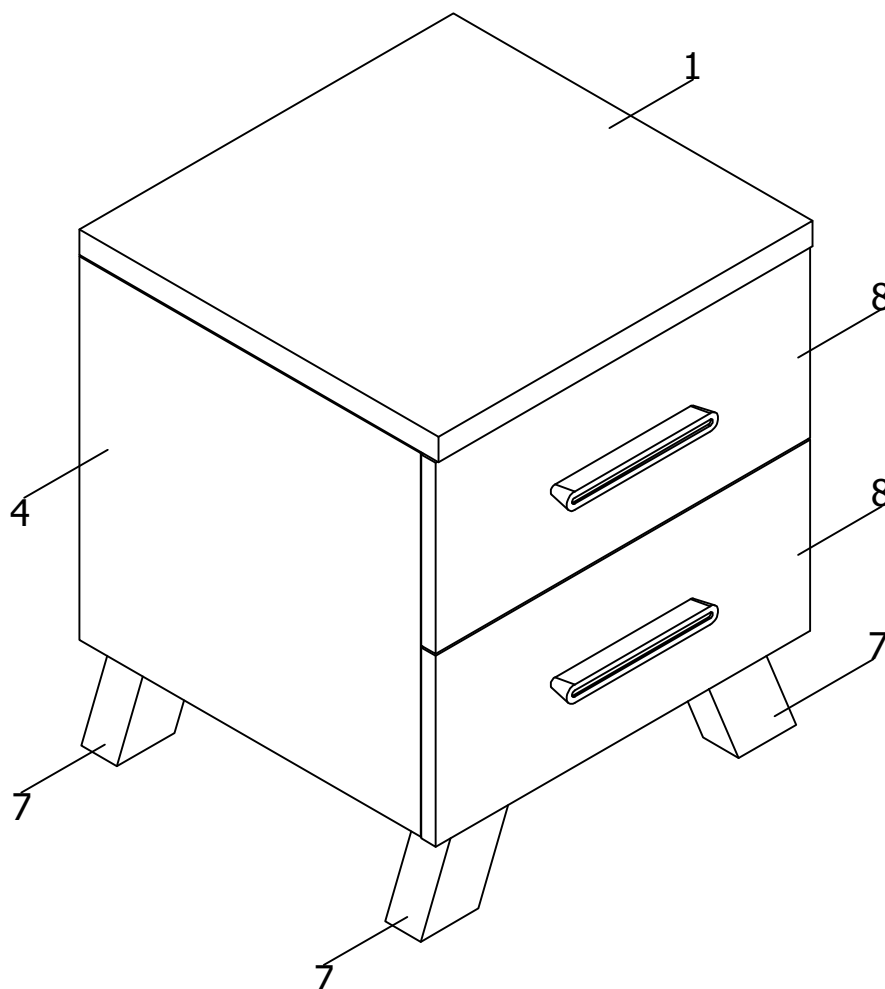


ASSEMBLY INSTRUCTION
MONTAGE HANDLEIDING
MONTAGE ANLEITUNG
NOTICE DE MONTAGE
MANUAL DE MONTAJE

UK
NL
D
F
ESP

MODEL
TYPE
COLOUR
ART.CODE

:NIGHTTABLE
:LISA
:WHITE/NATURAL
:133179.11.



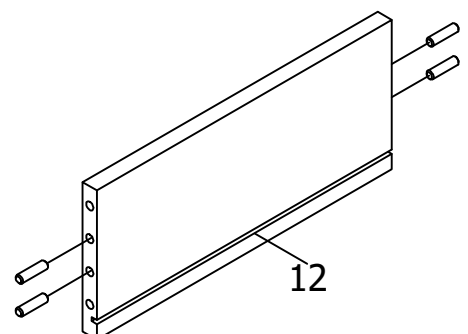
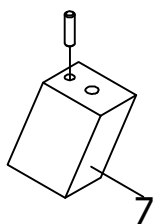
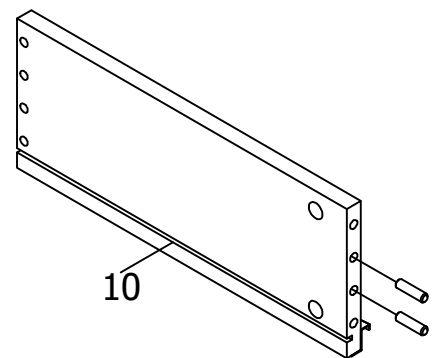
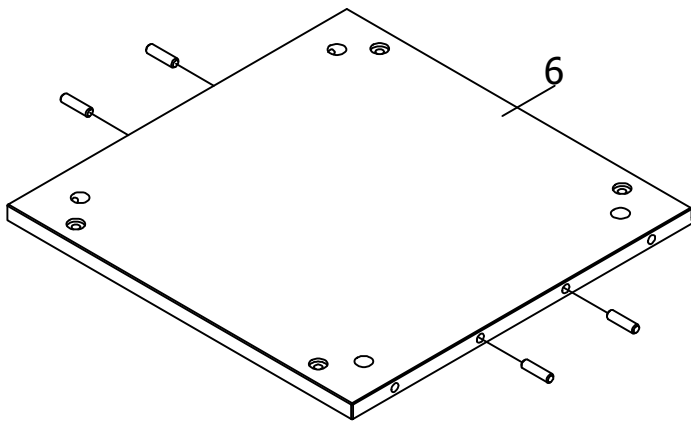
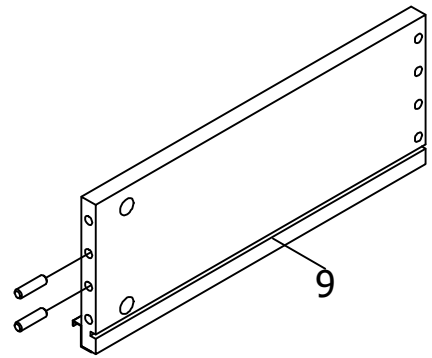
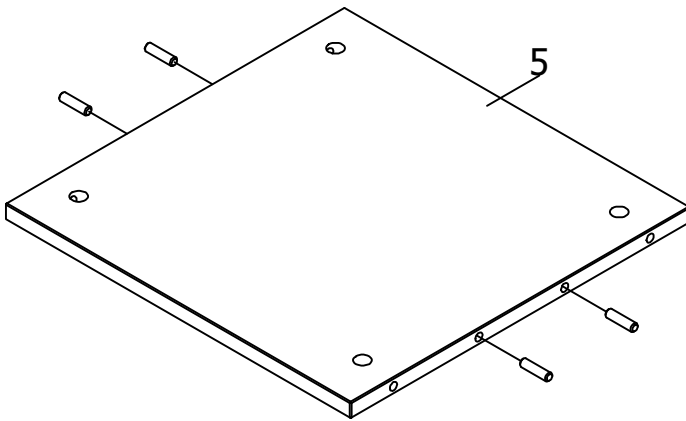
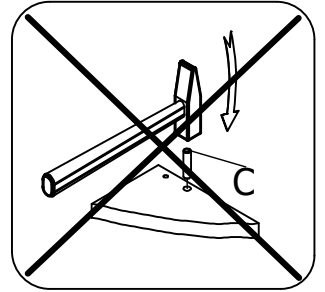
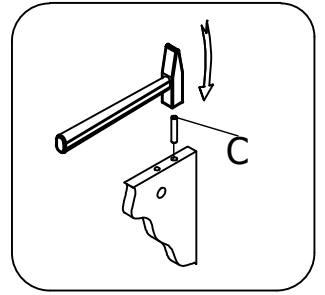
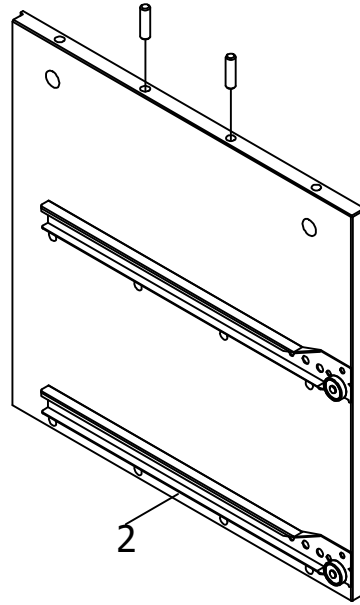
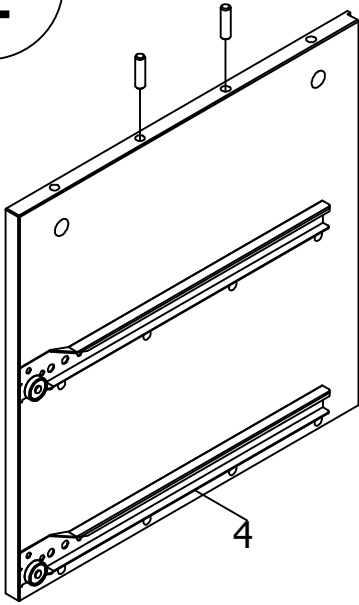
Distributor:

BOPITA
Energieweg 1
6662 NS Elst
The Netherlands

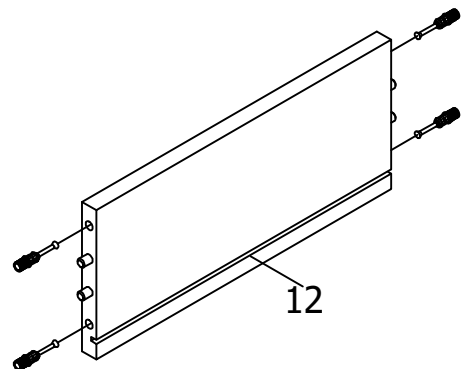
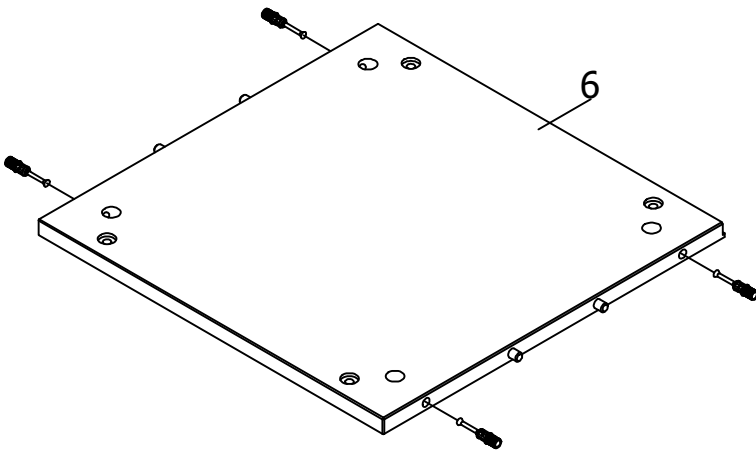
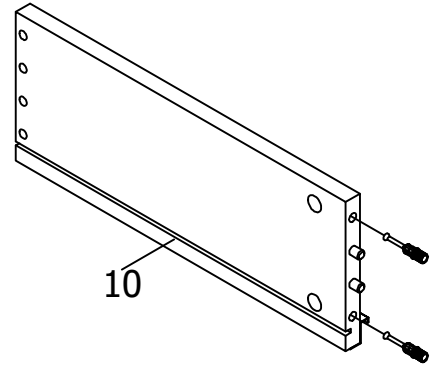
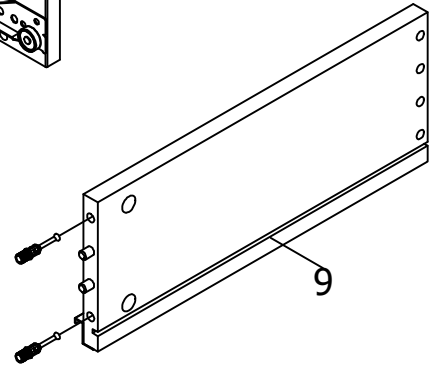
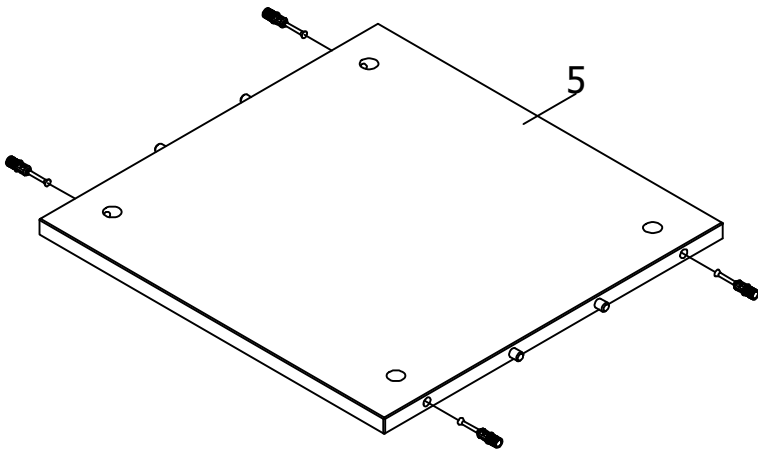
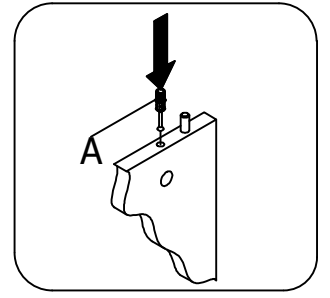
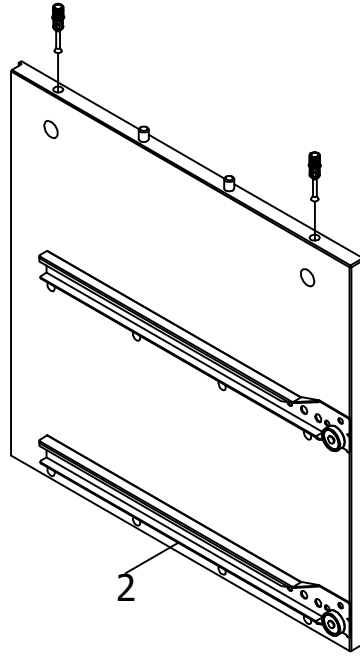
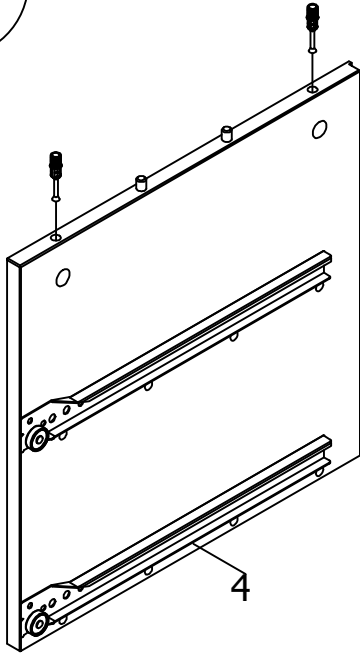
www.bopita.com

04.05.2020.

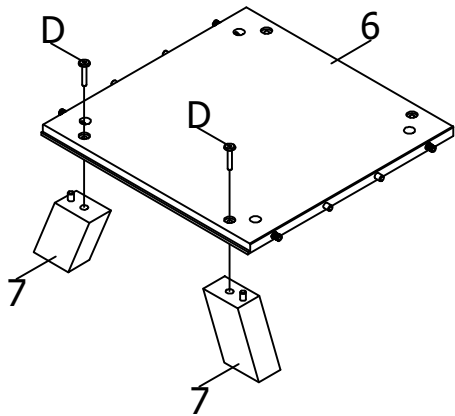
1



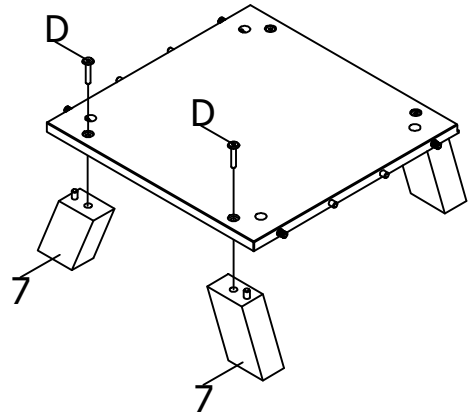
2



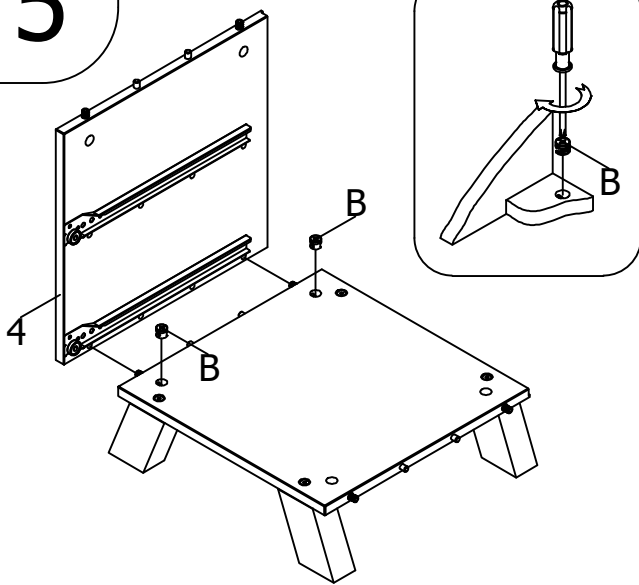
3



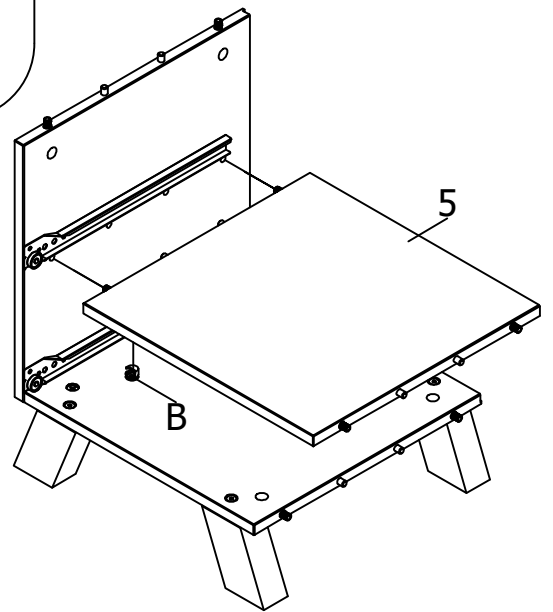
4



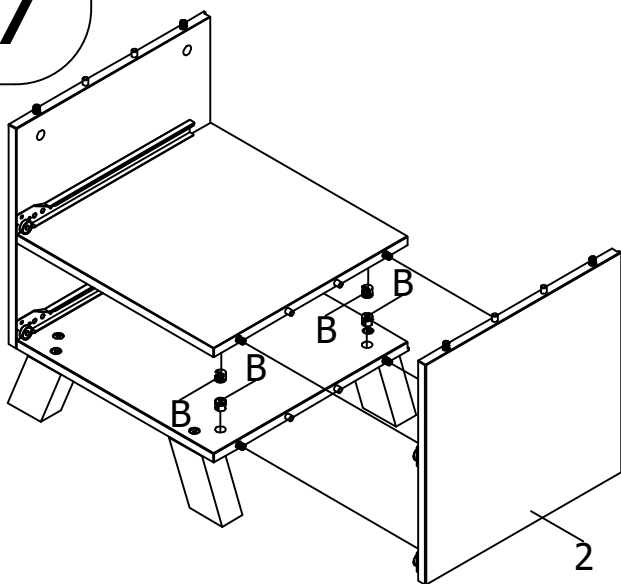
5



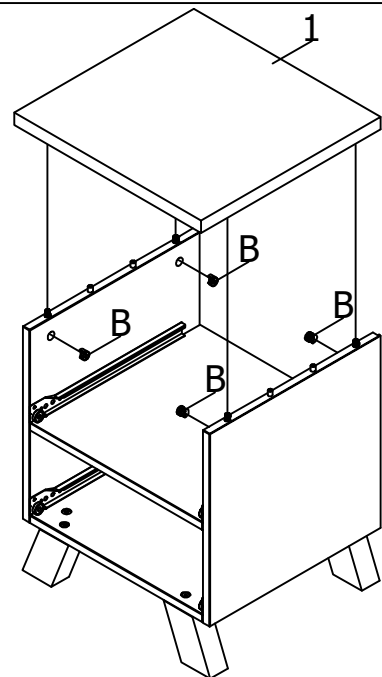
6



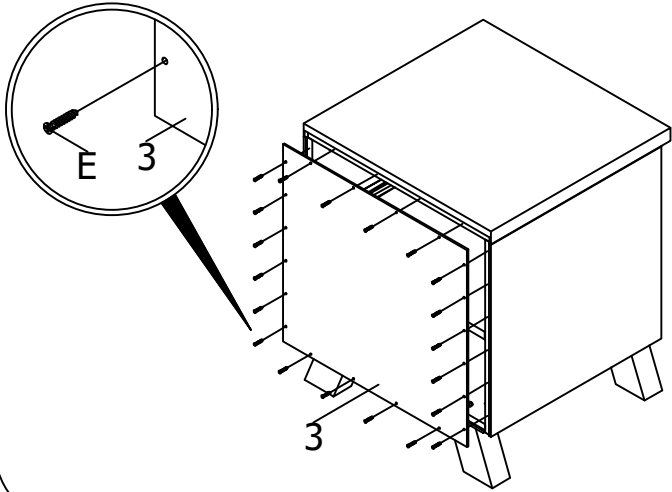
7



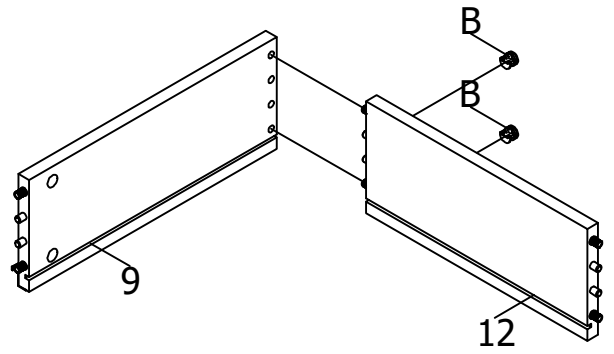
8



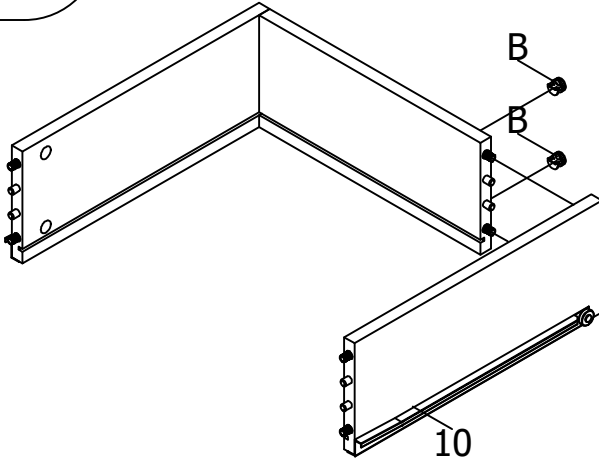
9



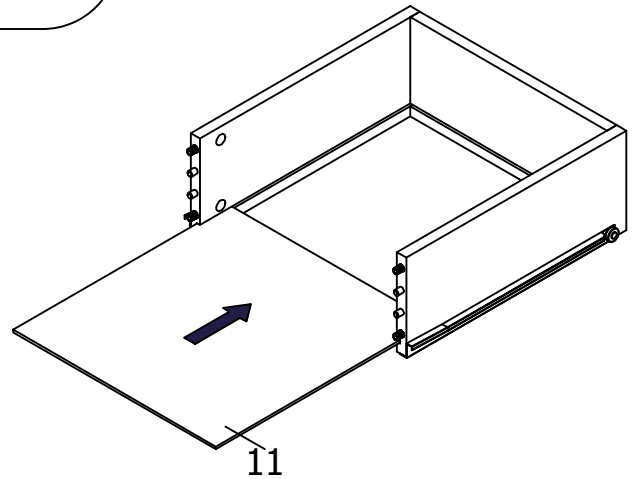
10



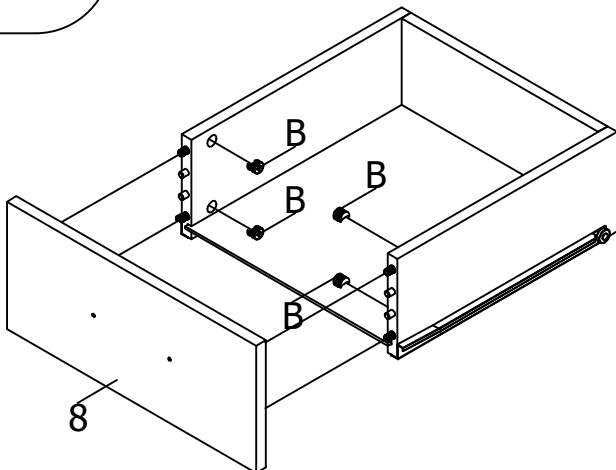
11



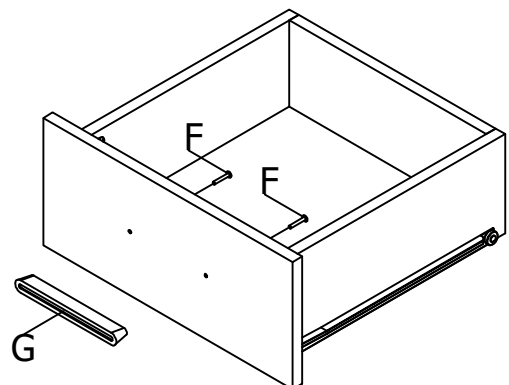
12



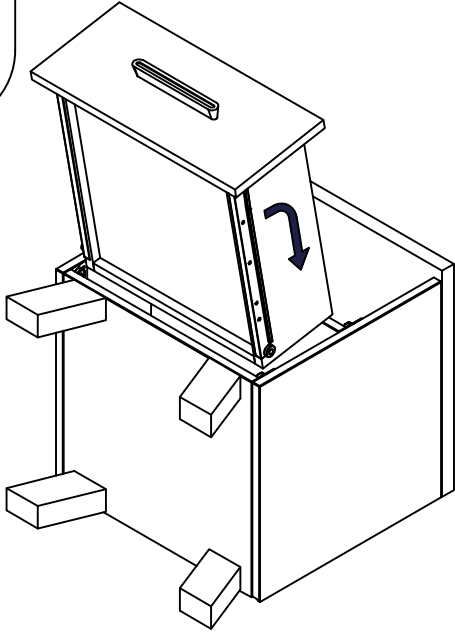
13



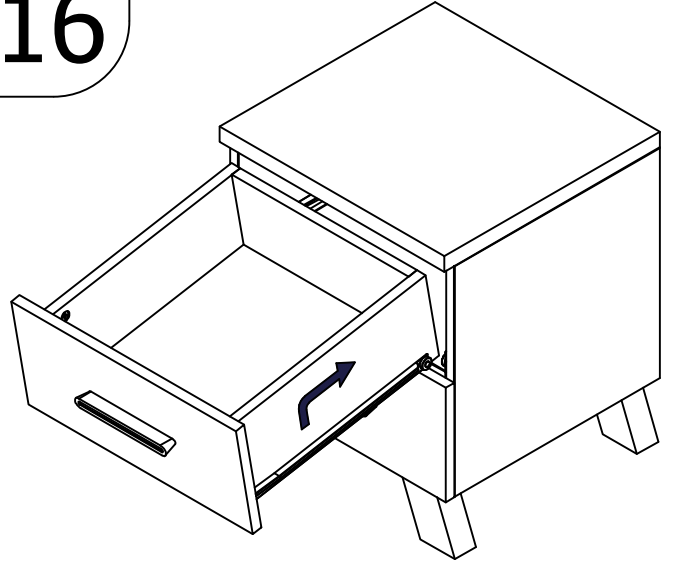
14



15



16



17

