

# K'nex

# You Build It!

AGES

9+

15166

Jeep Wrangler

# Jeep



## Motor Really Moves!



**WARNING:**

CHOKING HAZARD - Small parts.  
Not for children under 3 years.



**Motor**  
Included

AA(LR6)

AA(LR6)

Not Included

# Jeep Wrangler

## Keep this important information for future reference

**WARNING:** CHOKING HAZARD – Small parts. Not for children under 3 years.

**CAUTION:** Keep hands, face, hair and clothing away from all moving parts.

### Battery Information

#### How to Insert and Remove Batteries

Insert 2 fresh AA batteries\* (LR6) into the compartment with the correct polarity (+/-) as shown here.

\* Not included



#### CAUTION: To Avoid Battery Leakage

- Do not mix different types of batteries.
- Do not mix alkaline, standard (carbon-zinc) or rechargeable batteries.
- Do not mix new and used batteries. Only batteries of the same or equivalent type recommended should be used.
- Remove exhausted batteries from the toy; do not short-circuit supply terminals.
- Remove all batteries if the toy will not be used for a long period of time.

#### Important Tips

- Alkaline batteries are recommended.
- Rechargeable batteries are not recommended.
- Remove rechargeable batteries before recharging; they must be charged only under adult supervision.
- Non-rechargeable batteries must not be recharged.
- Keep components free of dust; do not immerse or use in water.
- Do not dispose of batteries in a fire; they could leak or explode and cause injury.

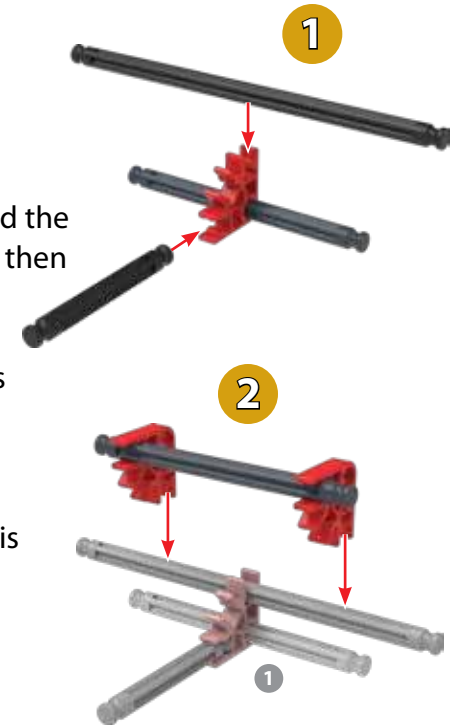
# K'nex

## Building Basics

### Start Building

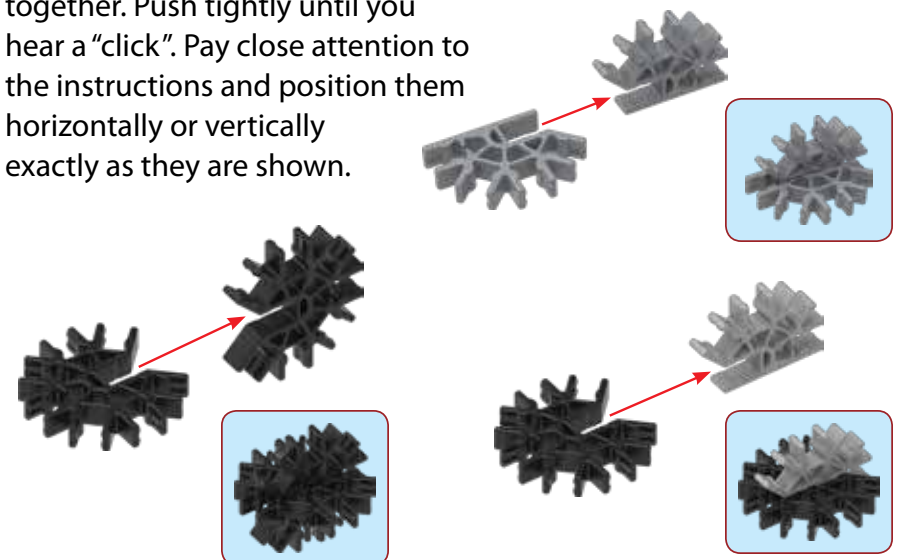
Each piece has its own shape and color. Just look at the pictures, find the pieces in your set that match and then connect them together.

Try to face your model in the same direction as the instructions while you build. The arrows show you where the parts connect, but not all connections points have arrows. Faded colors show you this section is already built.



### Connectors

You can slide these special connectors together. Push tightly until you hear a "click". Pay close attention to the instructions and position them horizontally or vertically exactly as they are shown.



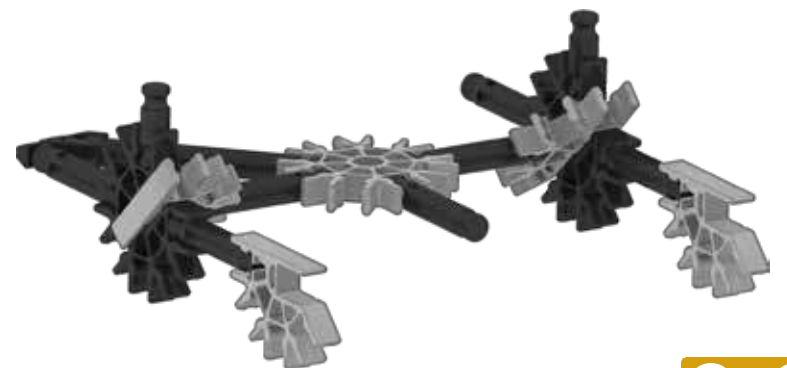
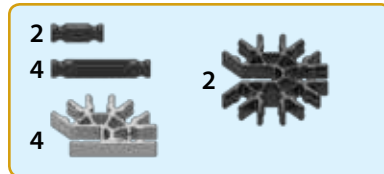
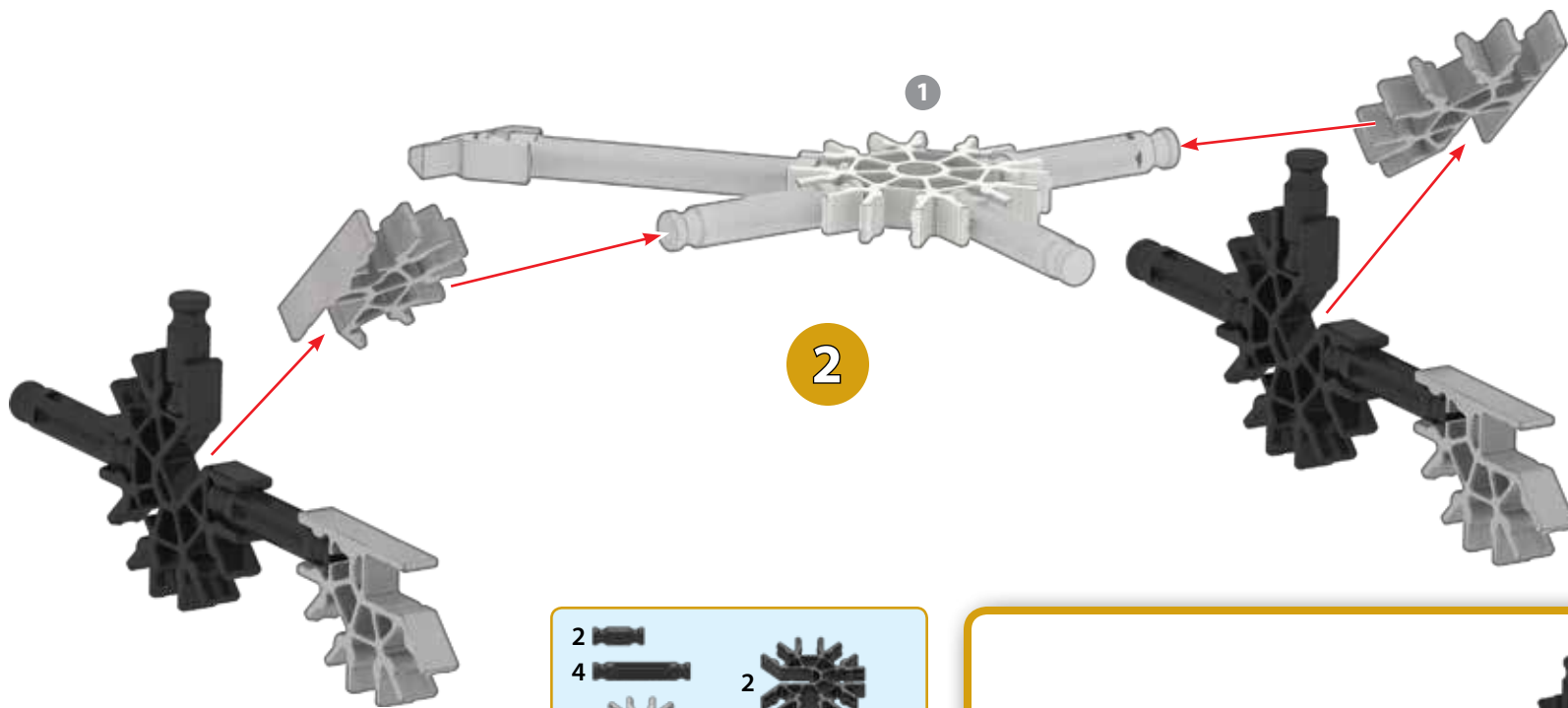
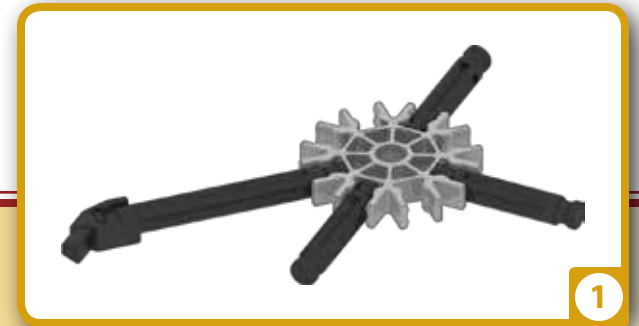
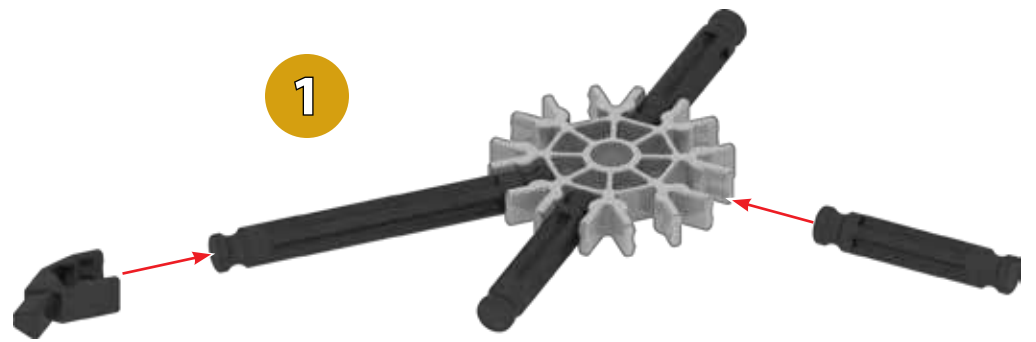
### Spacers

There are places in your model where you need to add spacers. Be sure to use the correct number of spacers shown in the instructions.





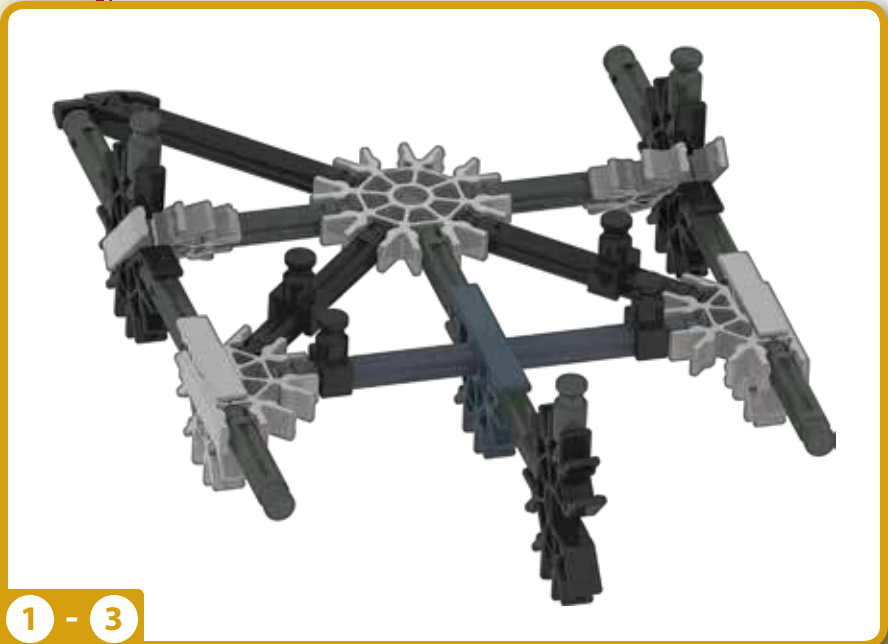
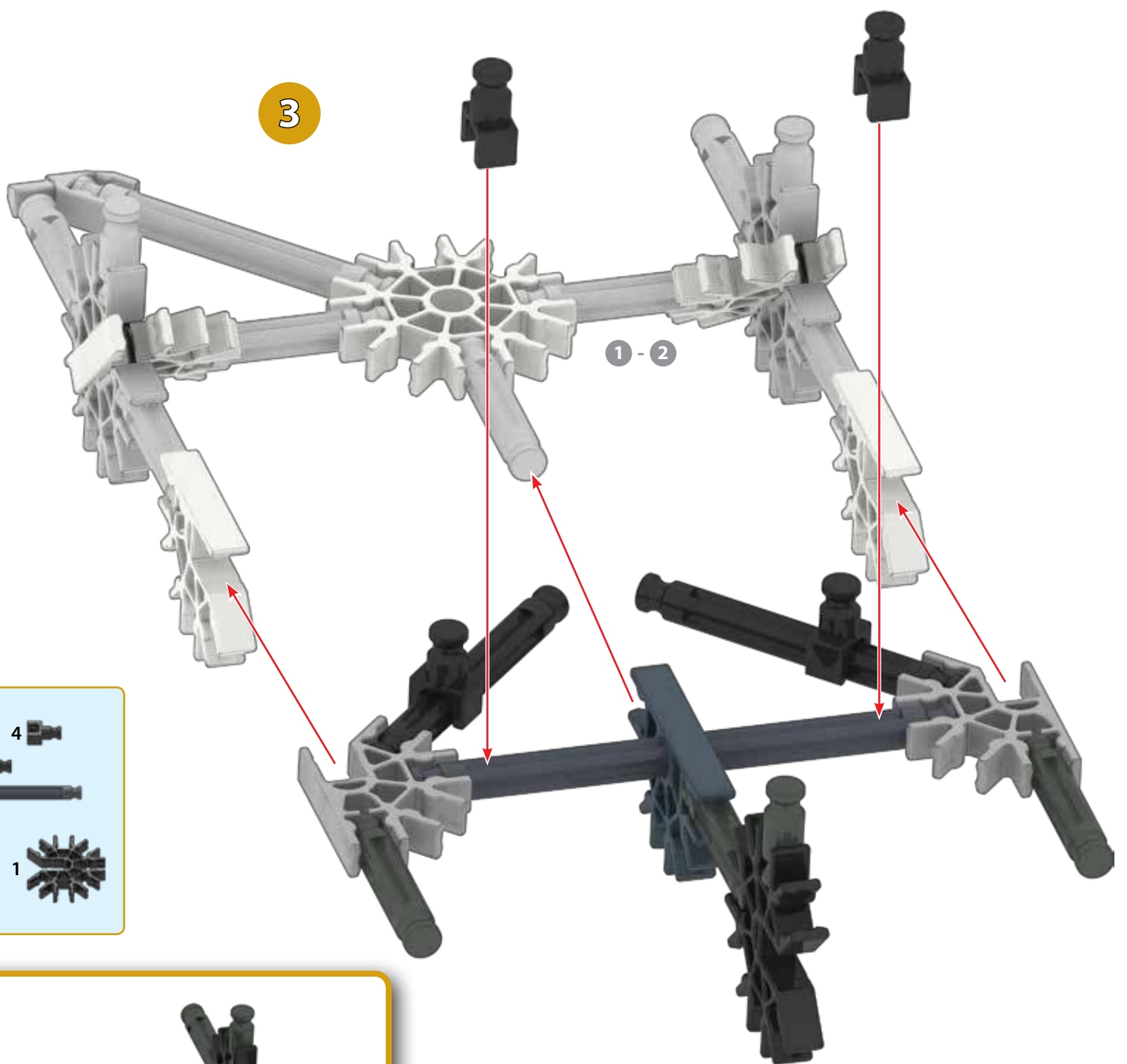
# Jeep® Wrangler



3

1 - 2

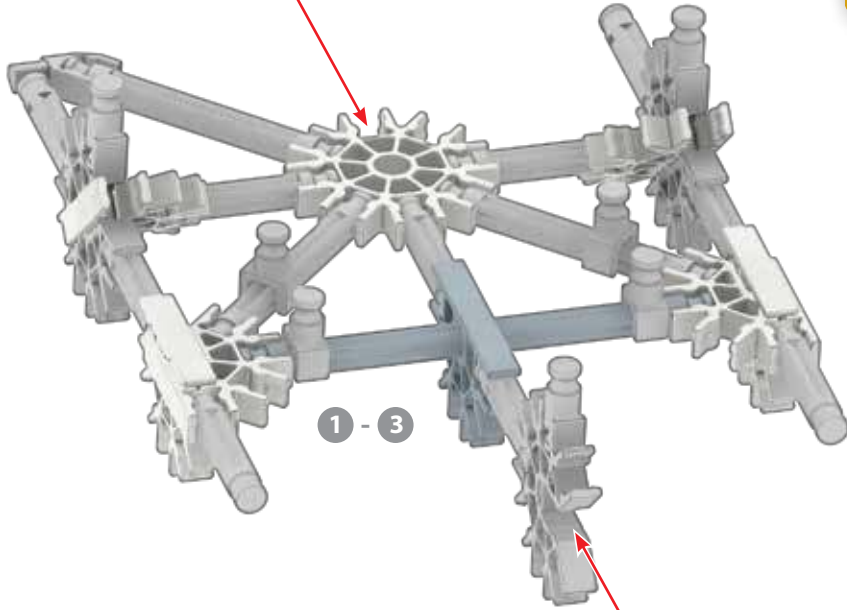
- 1 [Pin]
- 3 [Pin]
- 2 [Pin]
- 1 [Pin]
- 4 [Pin]
- 2 [Gear]
- 1 [Gear]
- 1 [Gear]



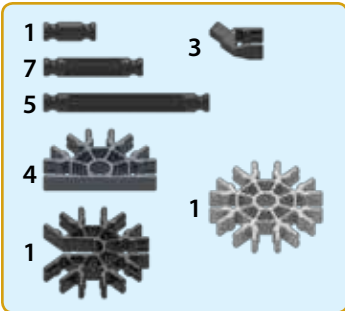
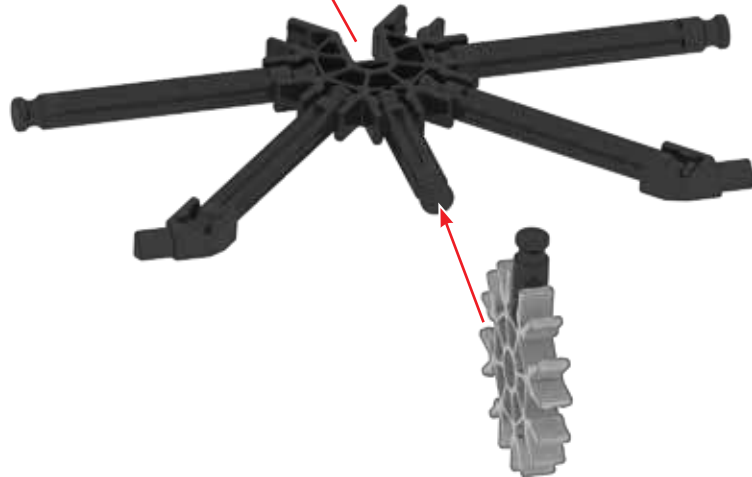


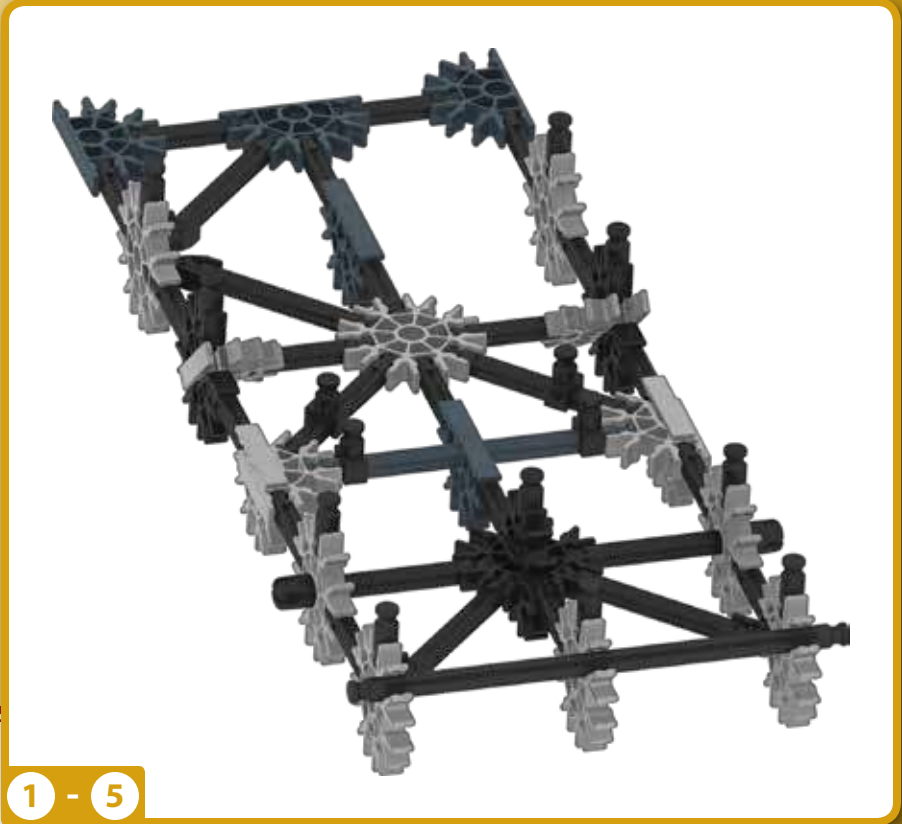
1 - 4

4

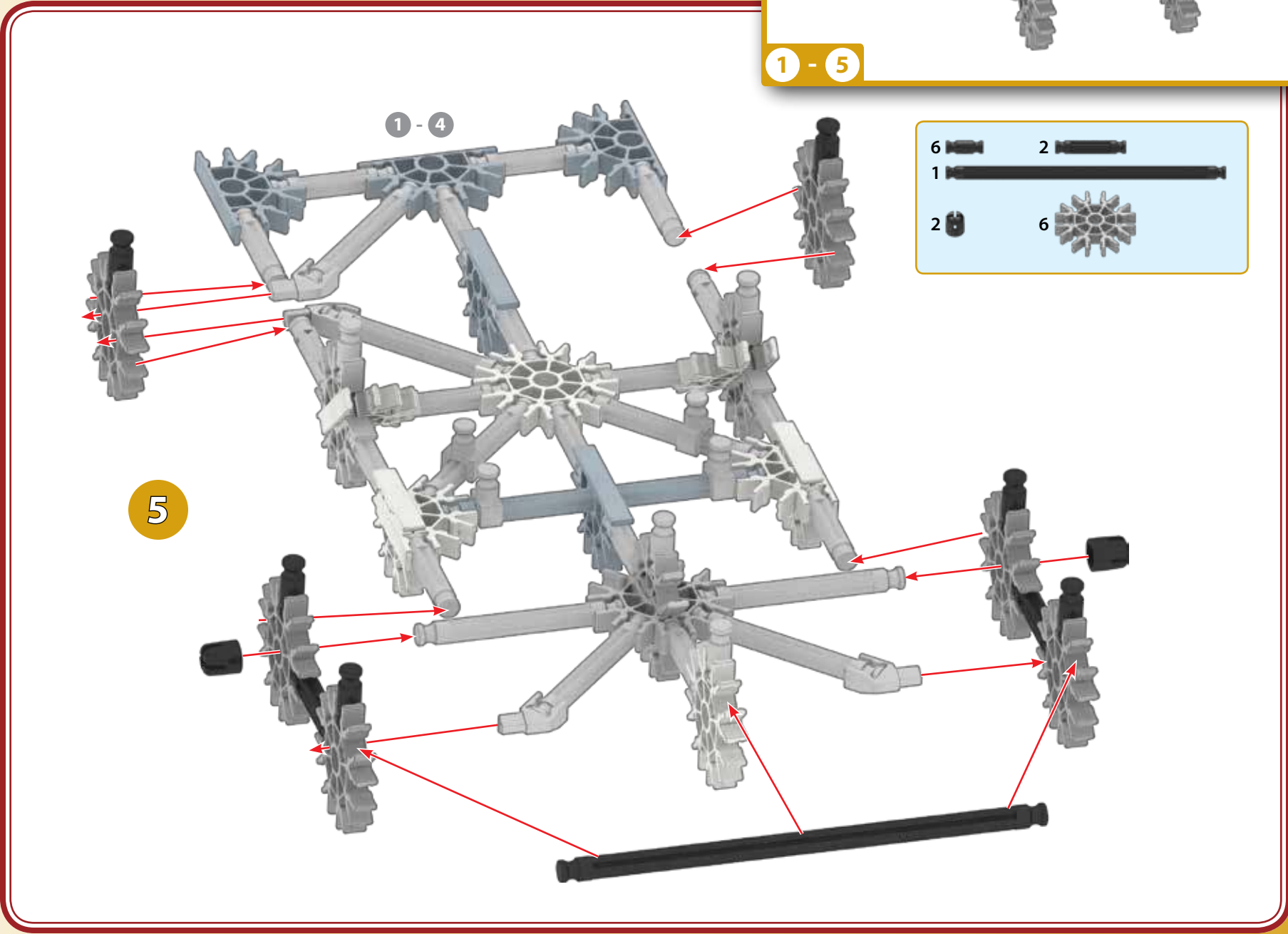


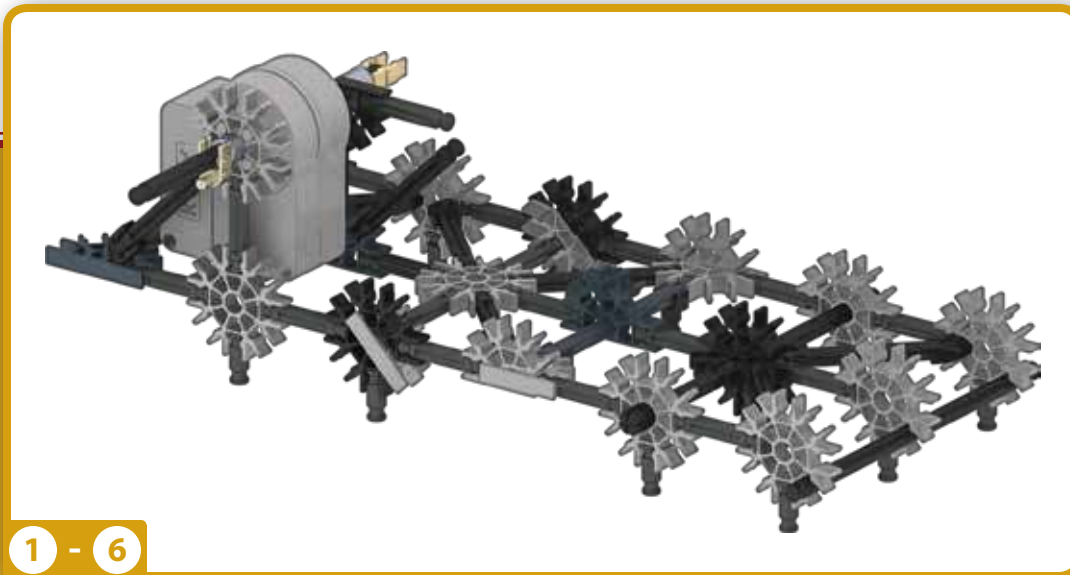
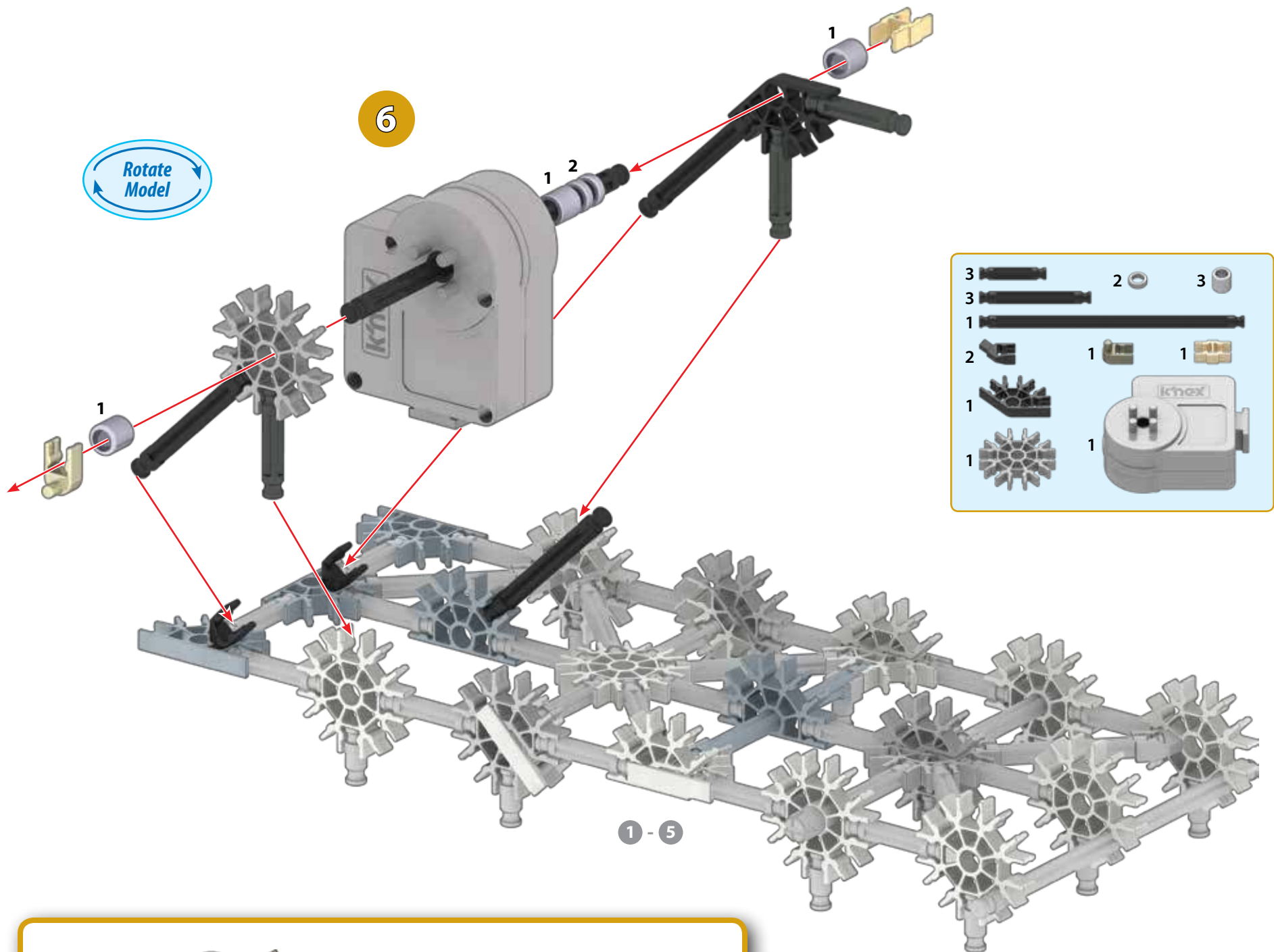
1 - 3



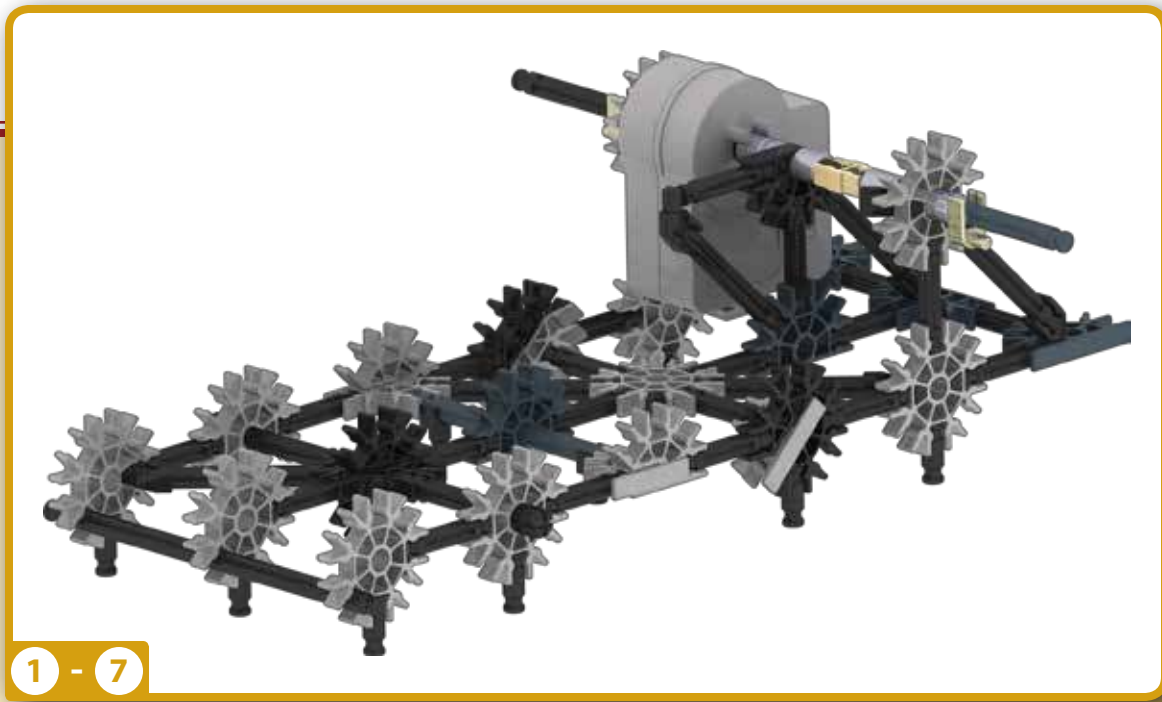
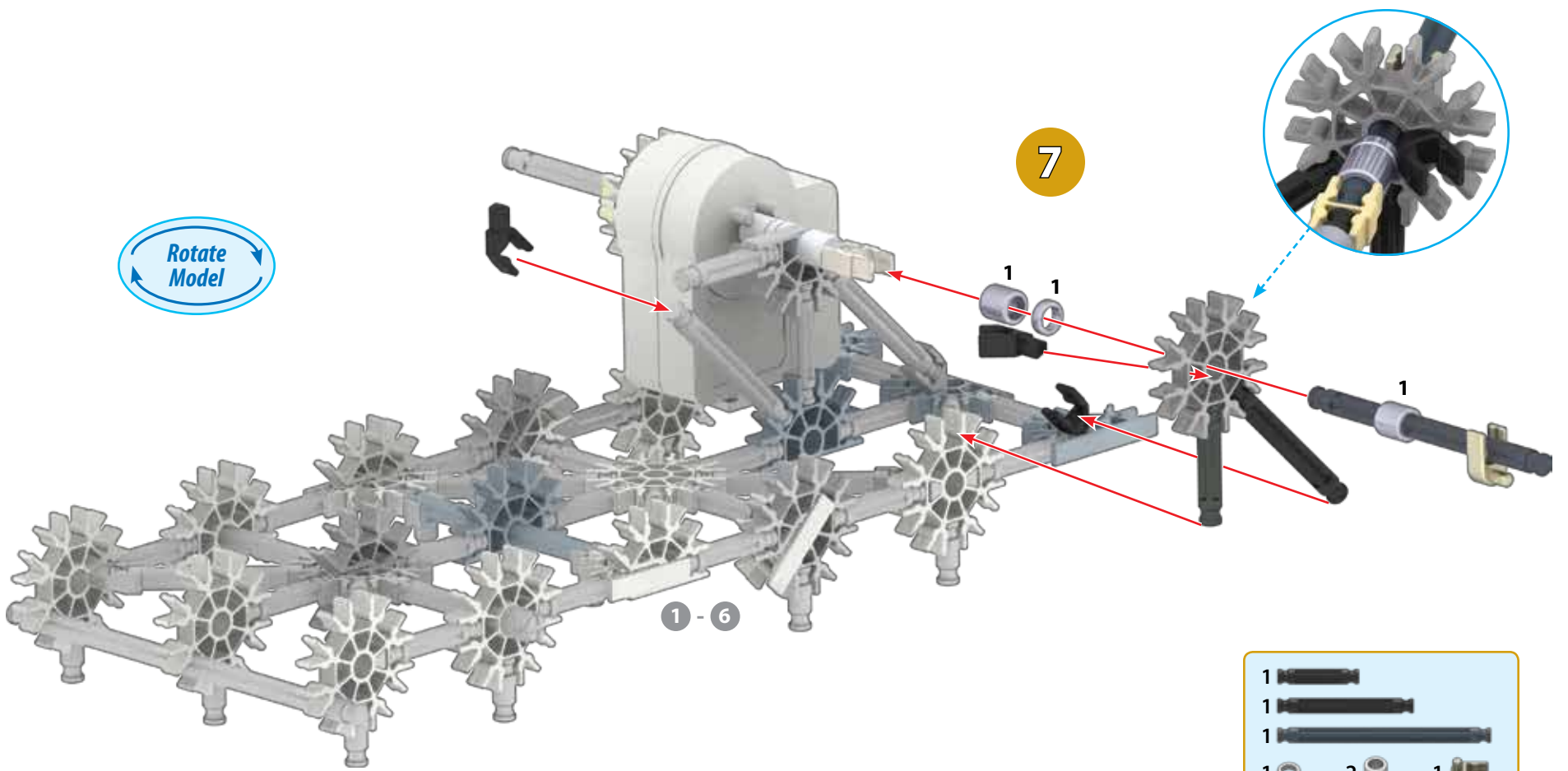


1 - 5





1 - 6







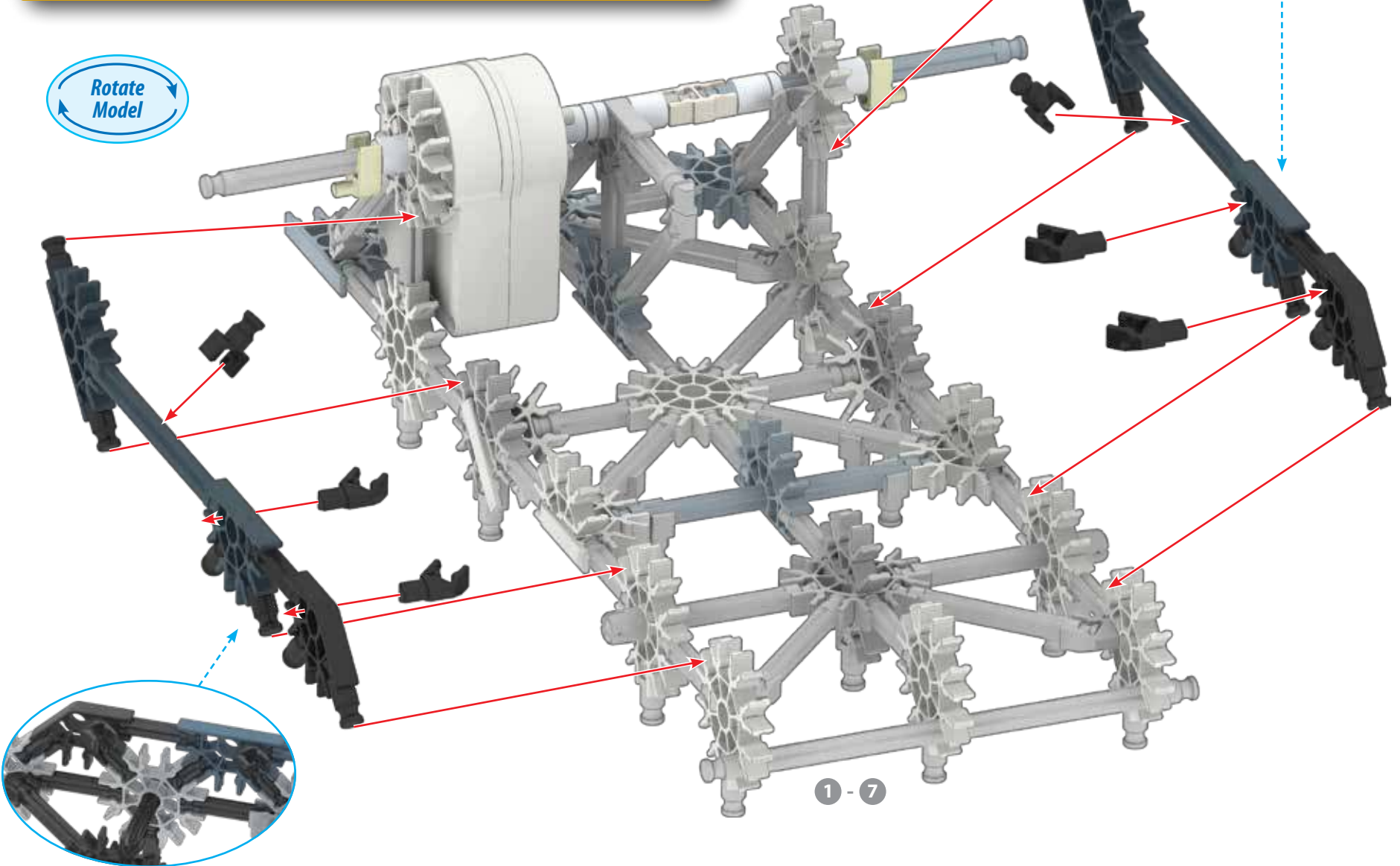
- |    |  |   |  |   |  |
|----|--|---|--|---|--|
| 12 |  | 2 |  | 4 |  |
| 2  |  |   |  |   |  |
| 2  |  |   |  |   |  |
| 2  |  | 4 |  |   |  |

1 - 8

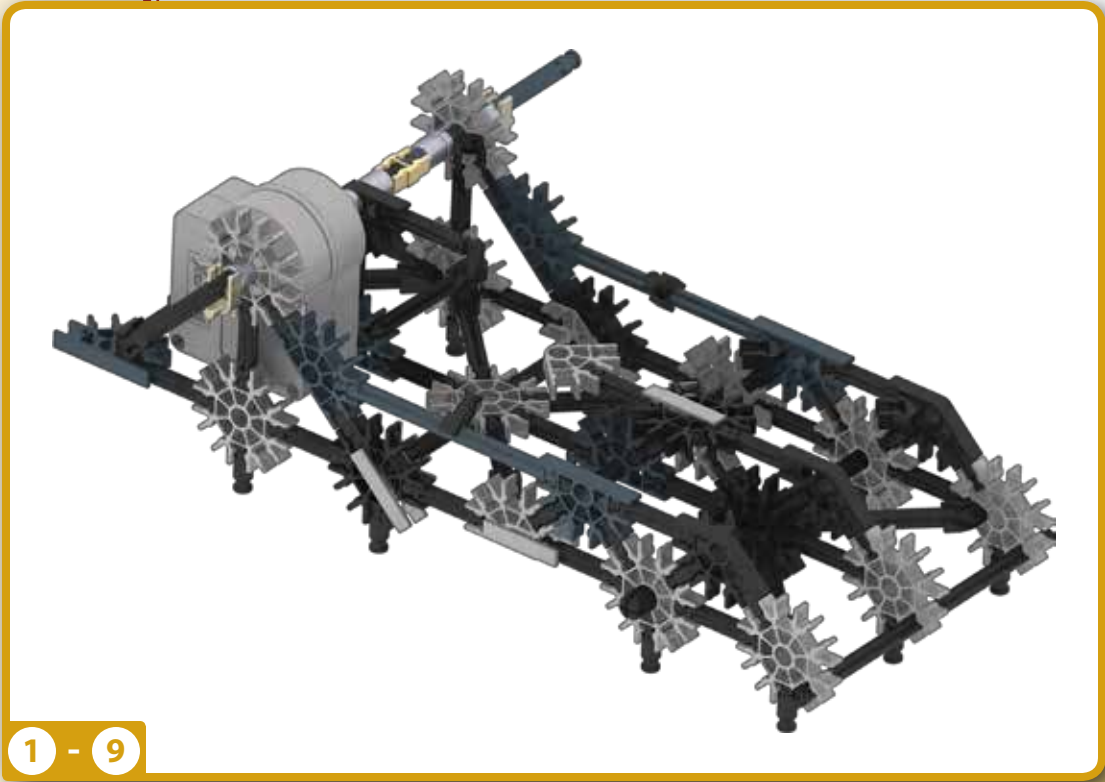
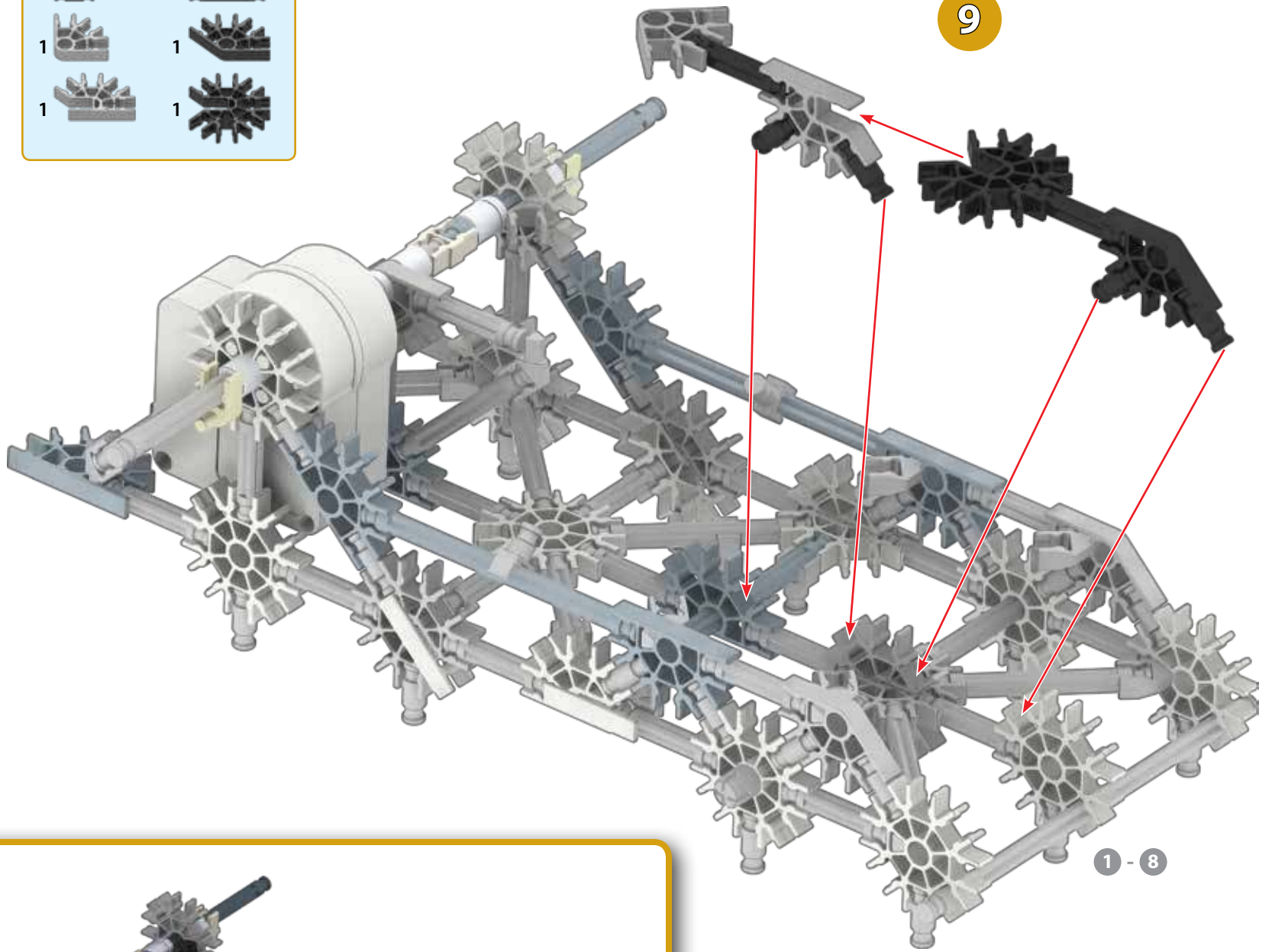
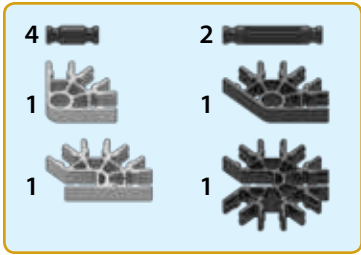


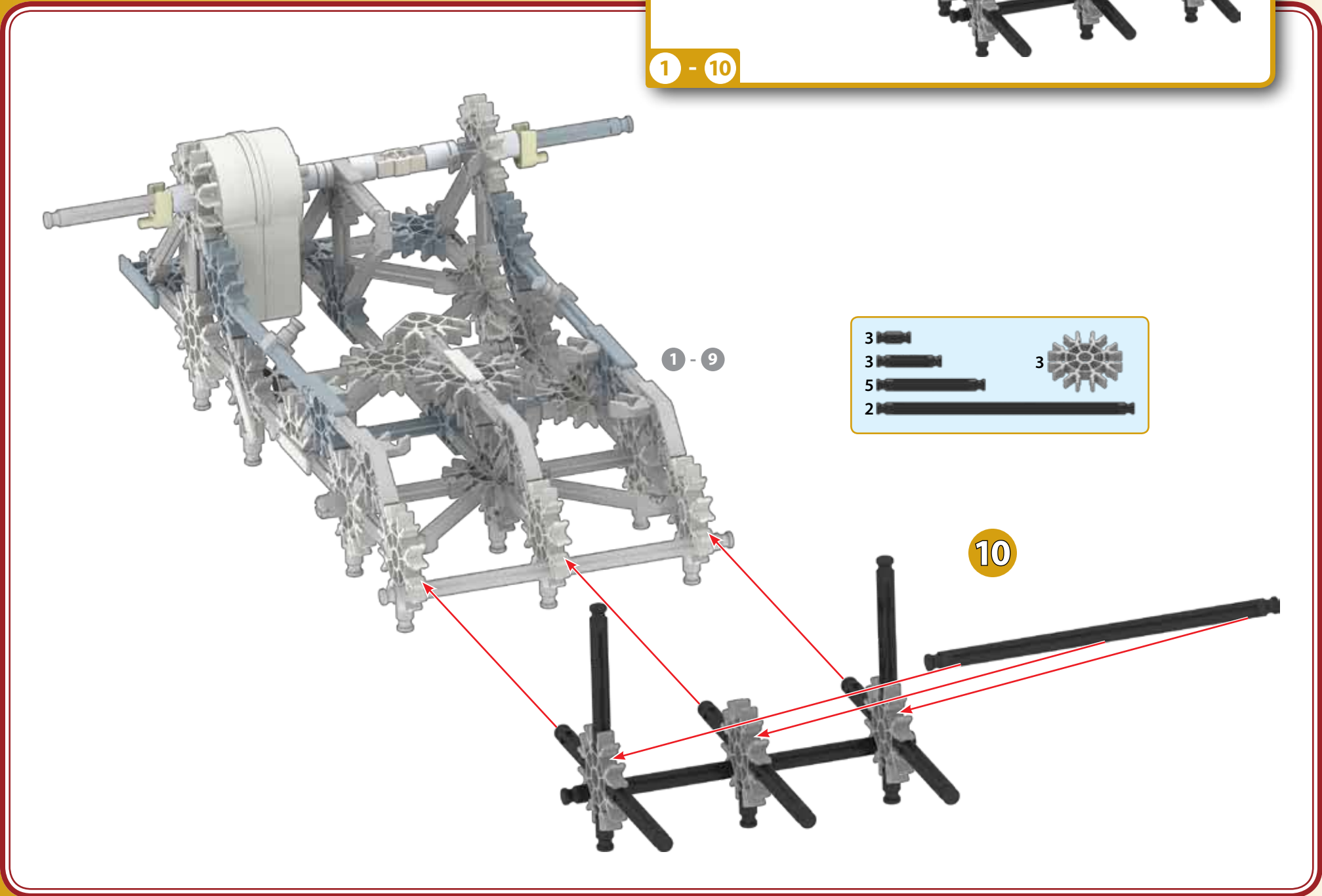
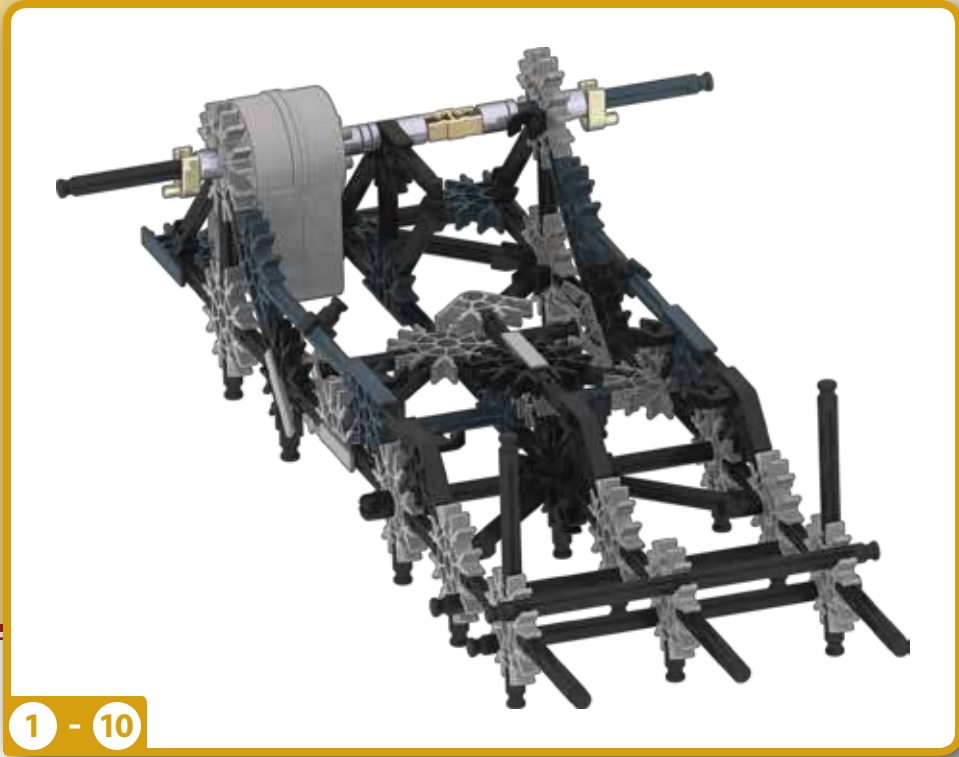
8

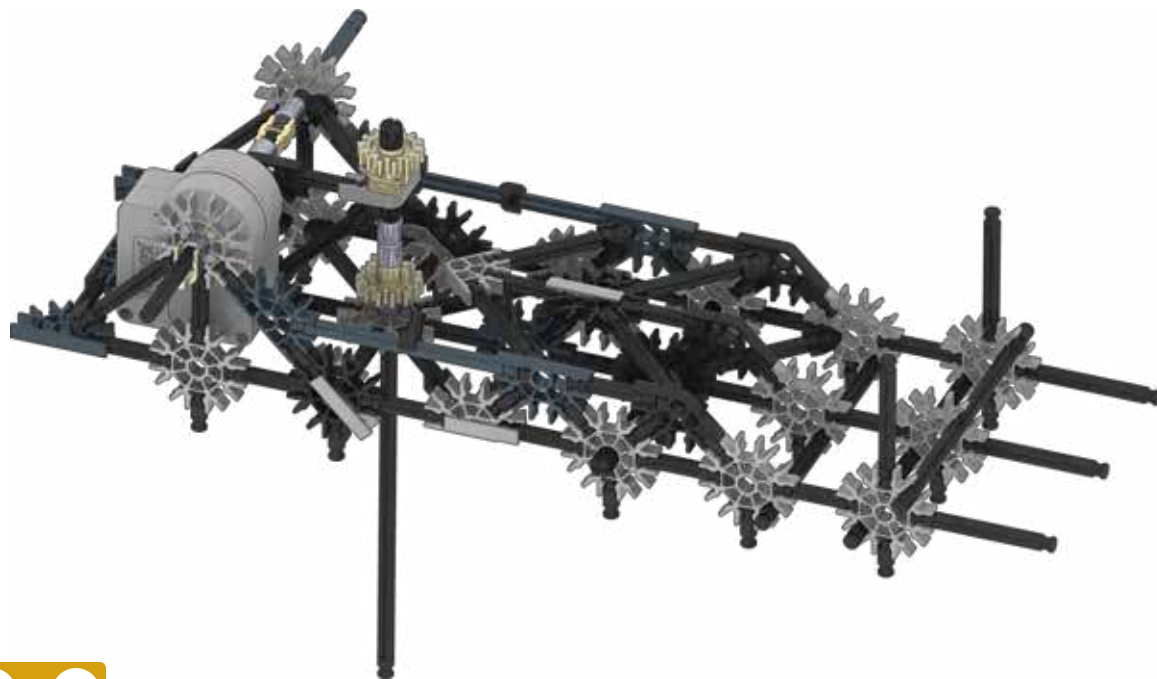
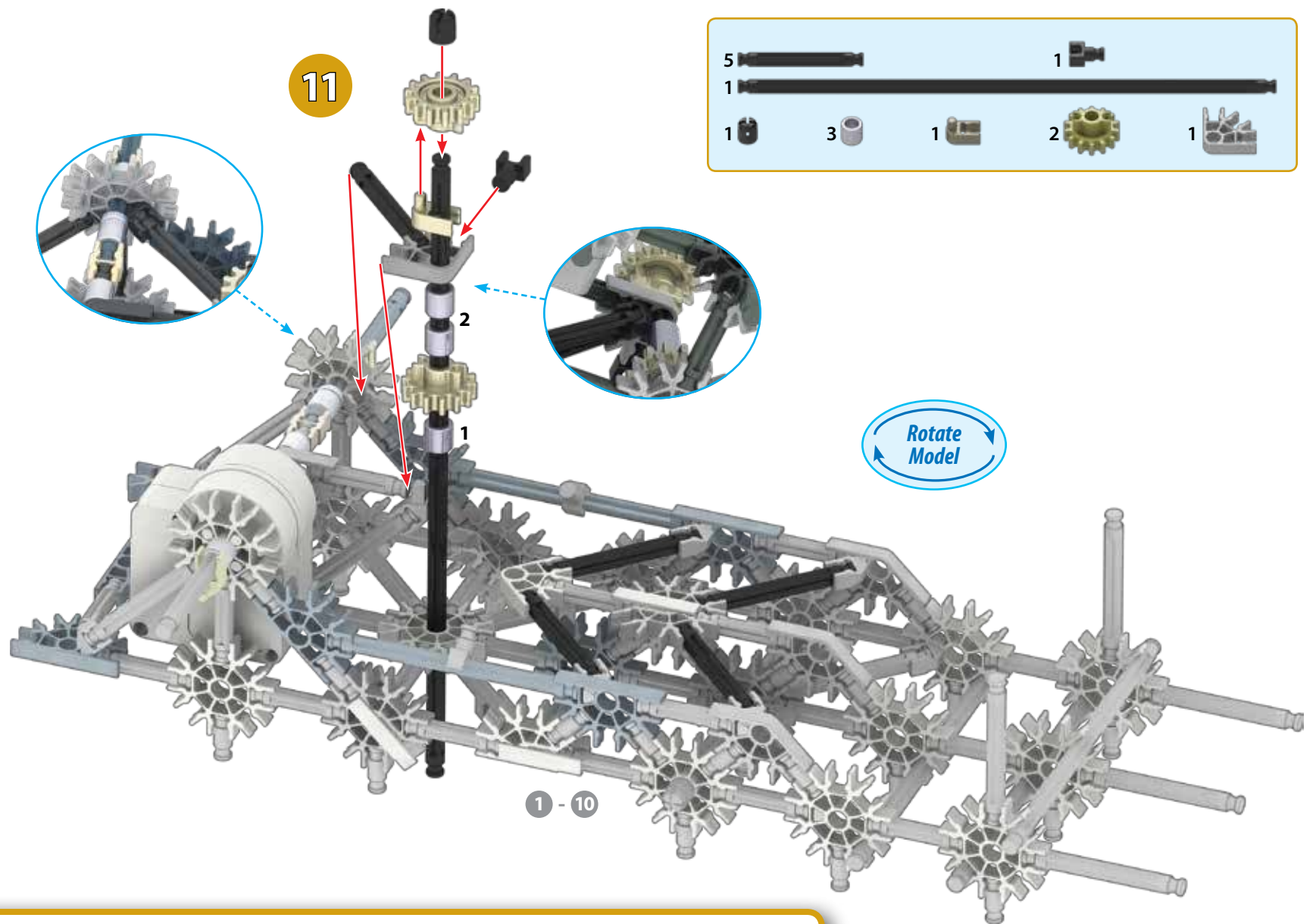
Rotate Model



1 - 7







**1 - 11**

**12**

2

2

**15**

2

2

**13**

1

12 - 13

1

2

1

1

**16**

1

15 - 16

1

2

1

1

**14**

12 - 13

1

1

1

**17**

15 - 16

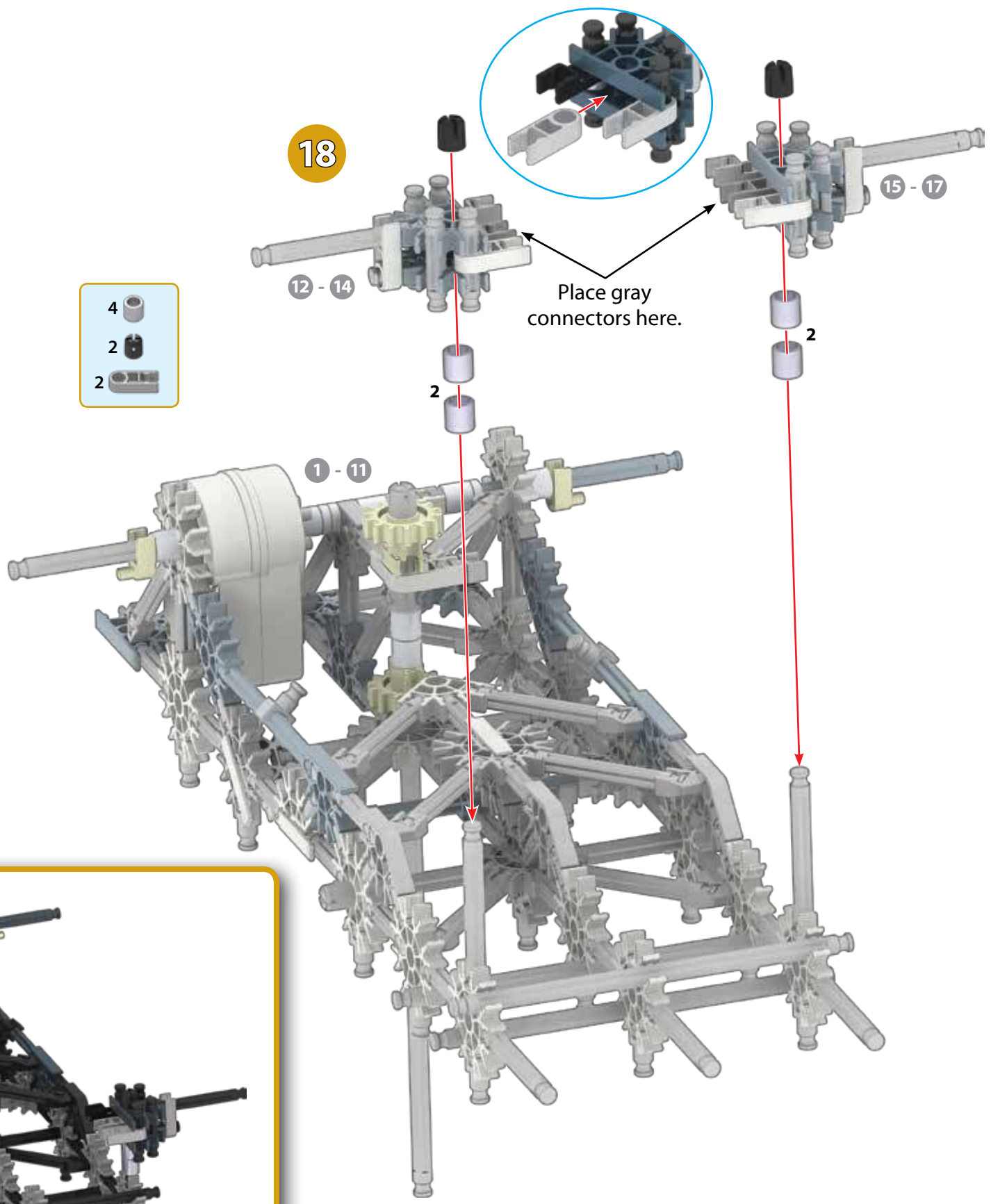
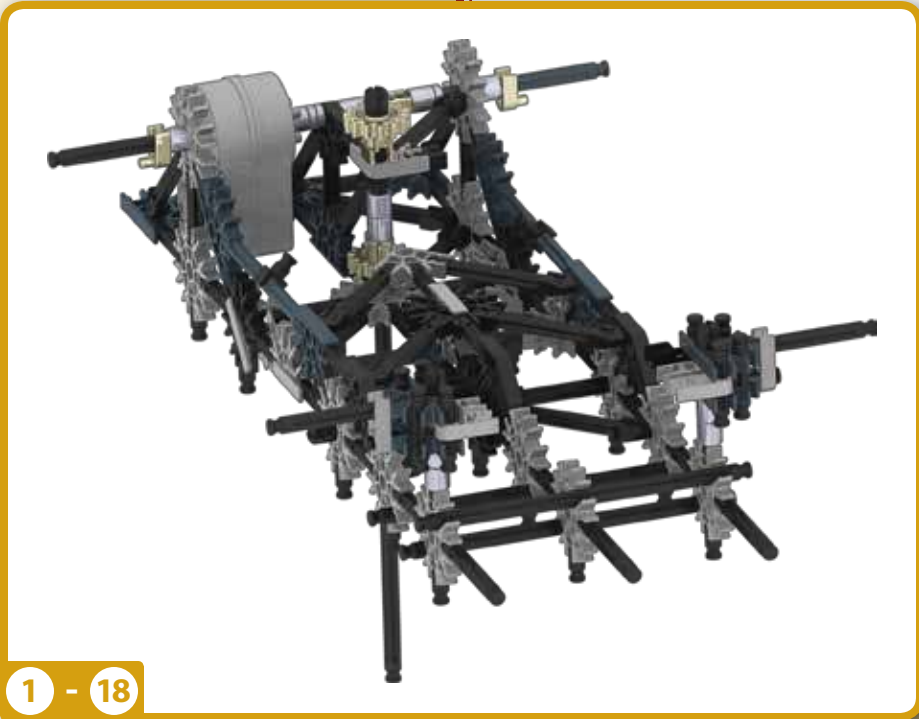
1

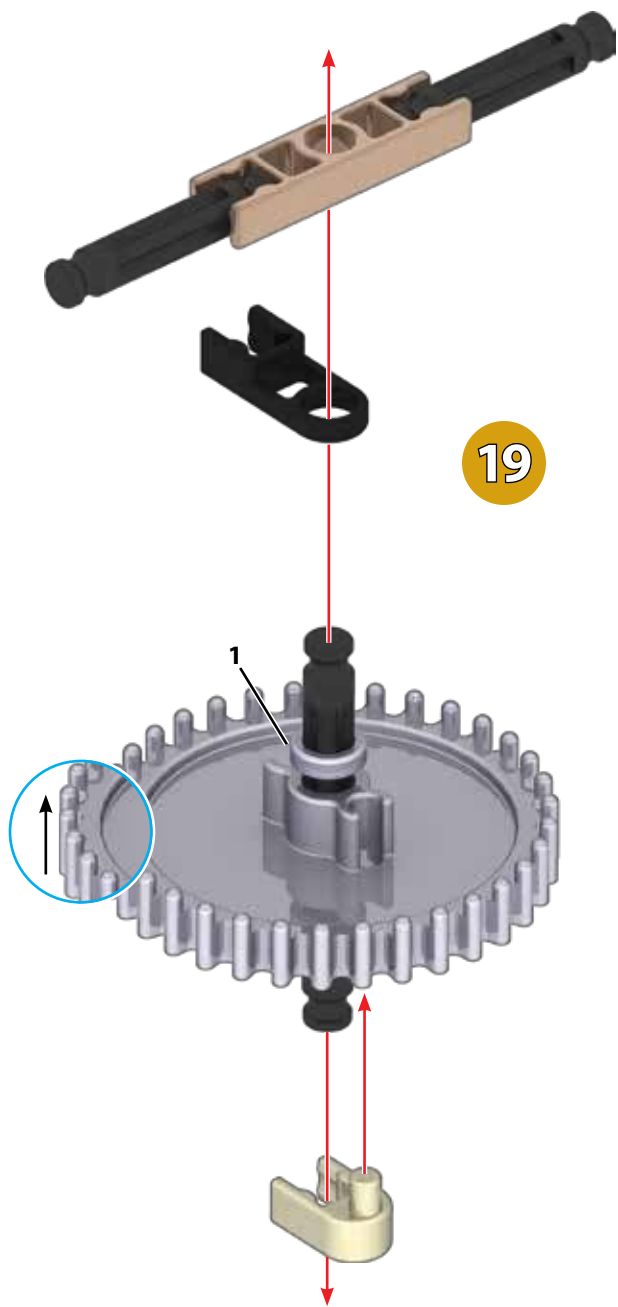
1

1

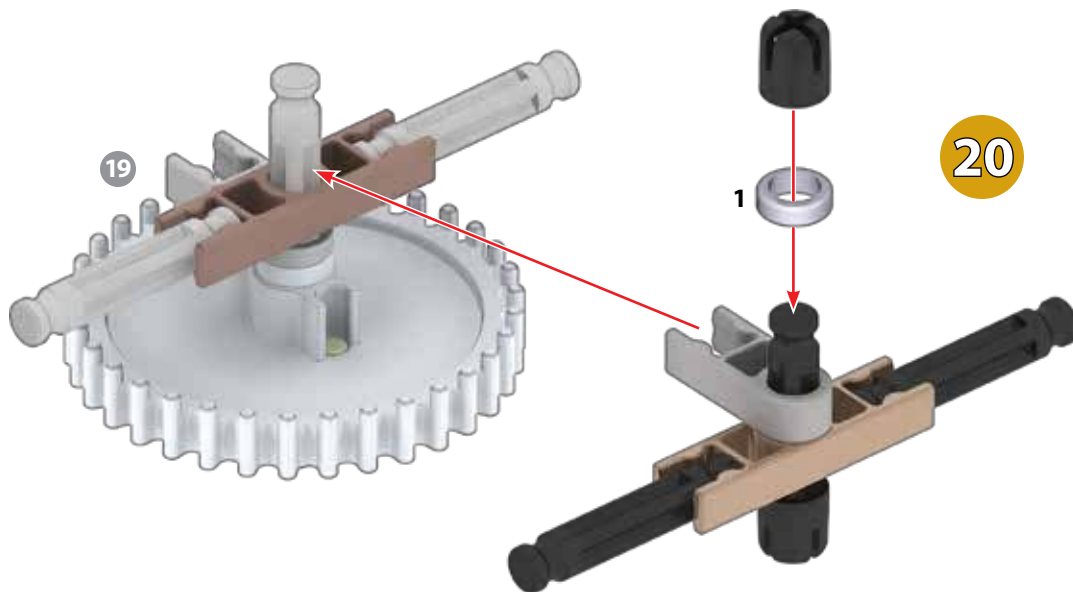
**12 - 14**

**15 - 17**





19



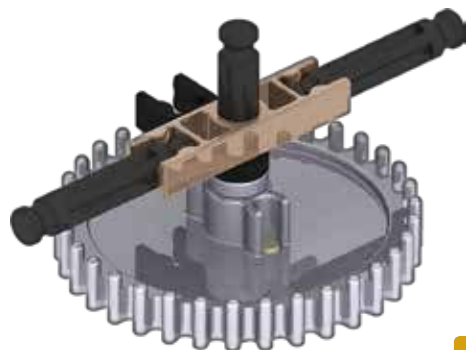
20

- |   |   |
|---|---|
| 1 | 2 |
| 3 |   |
| 1 |   |
| 1 |   |

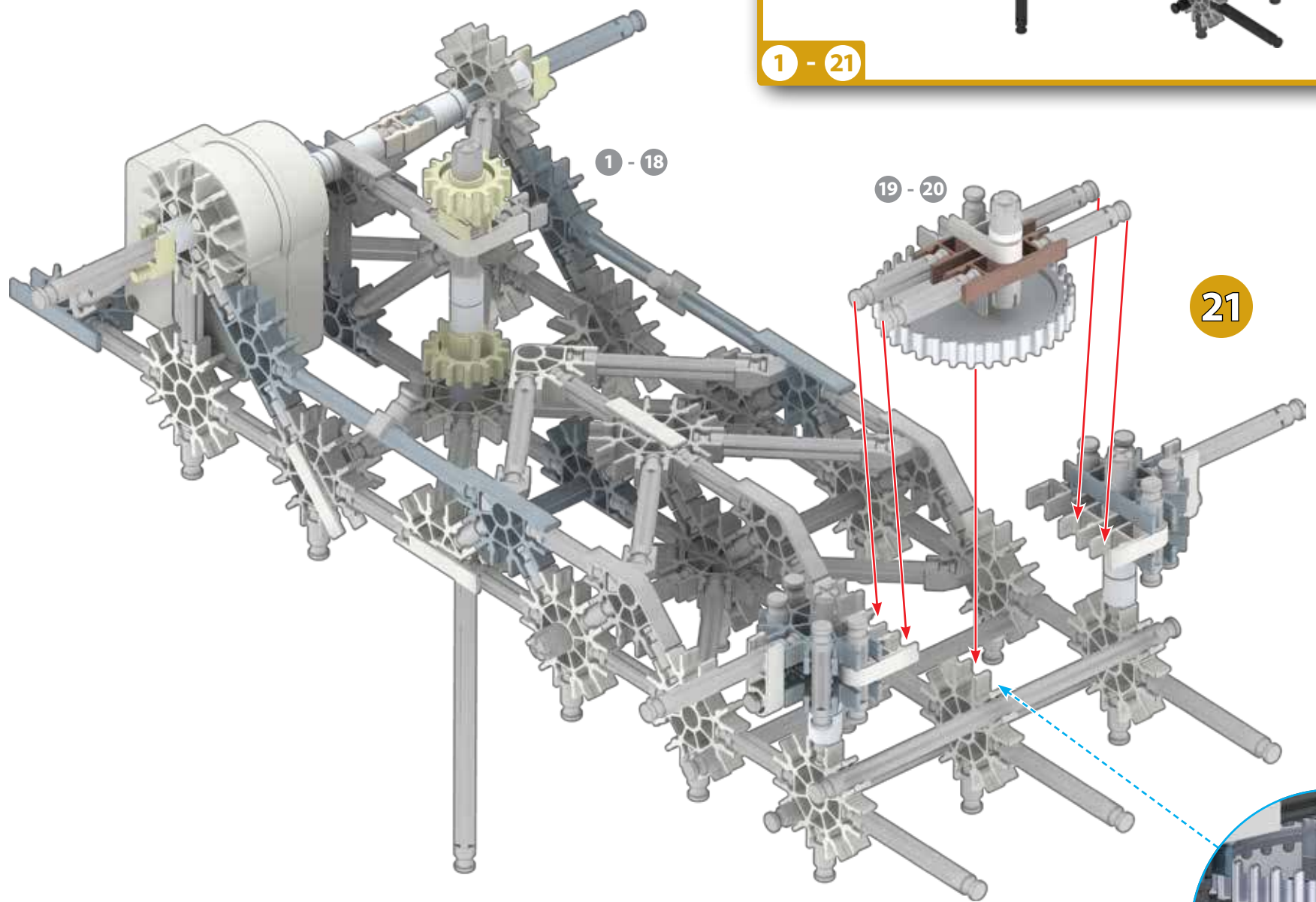
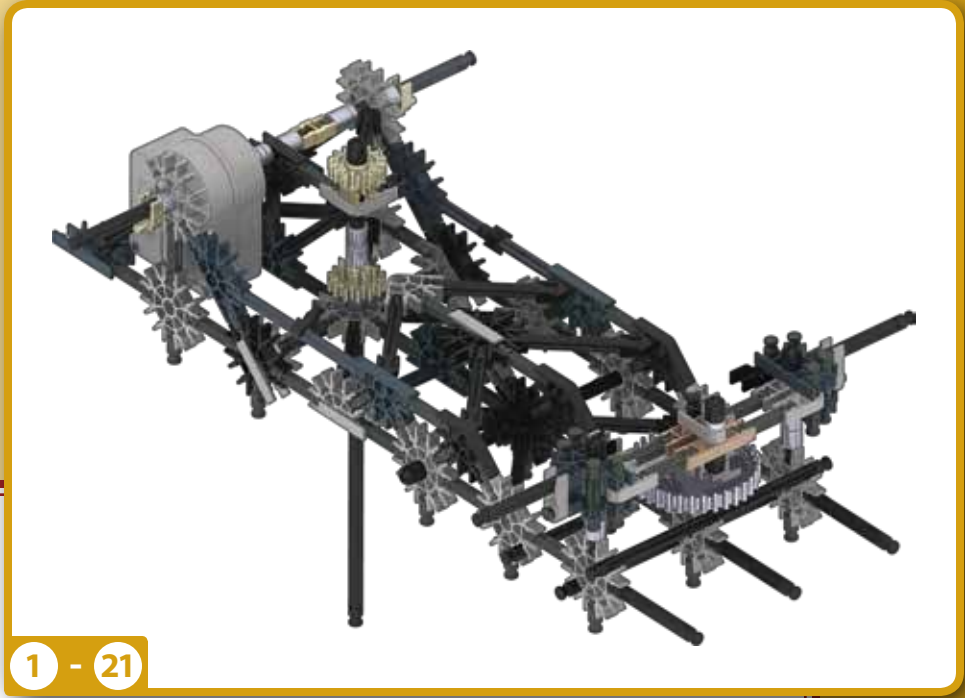


19 - 20

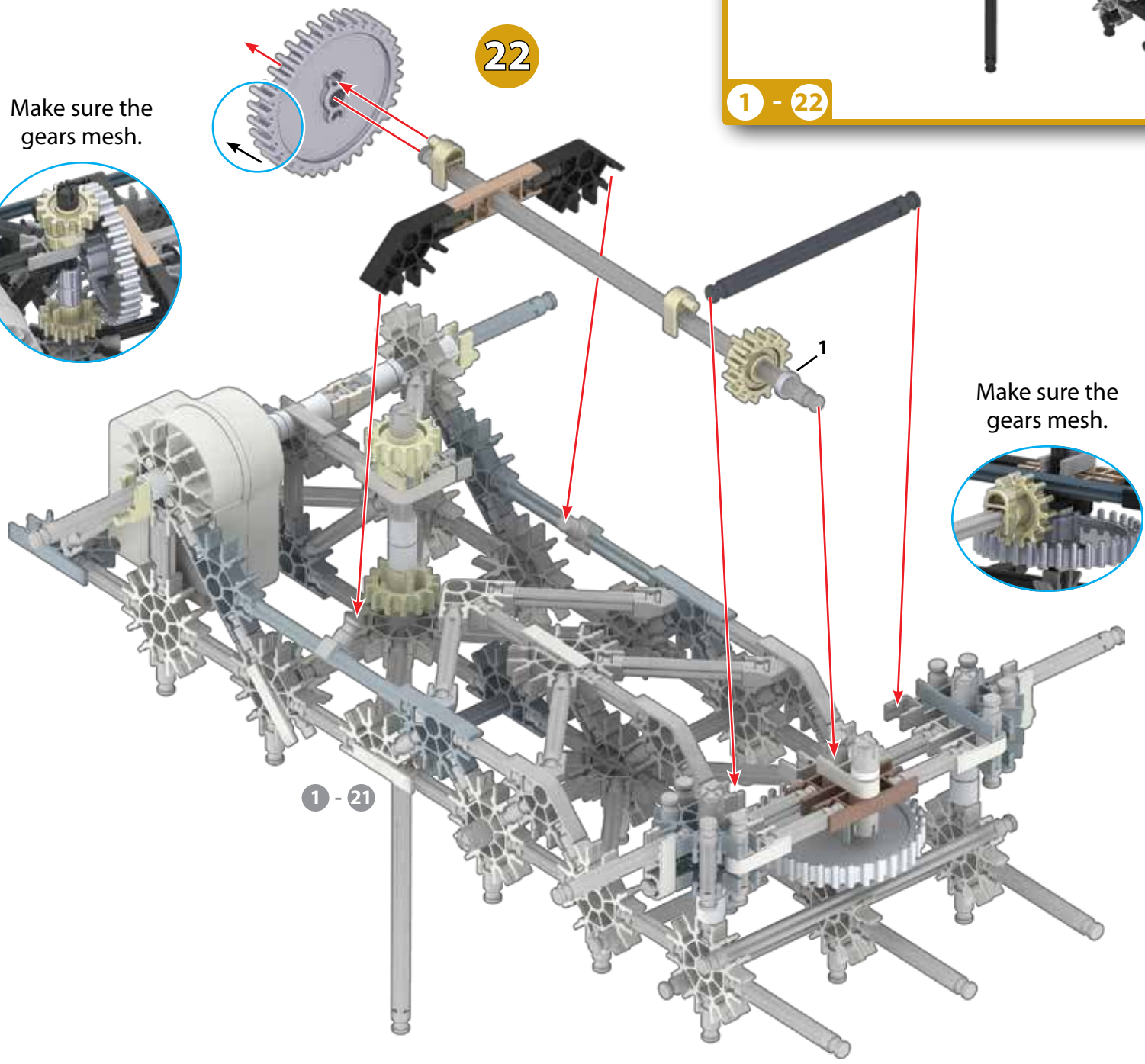
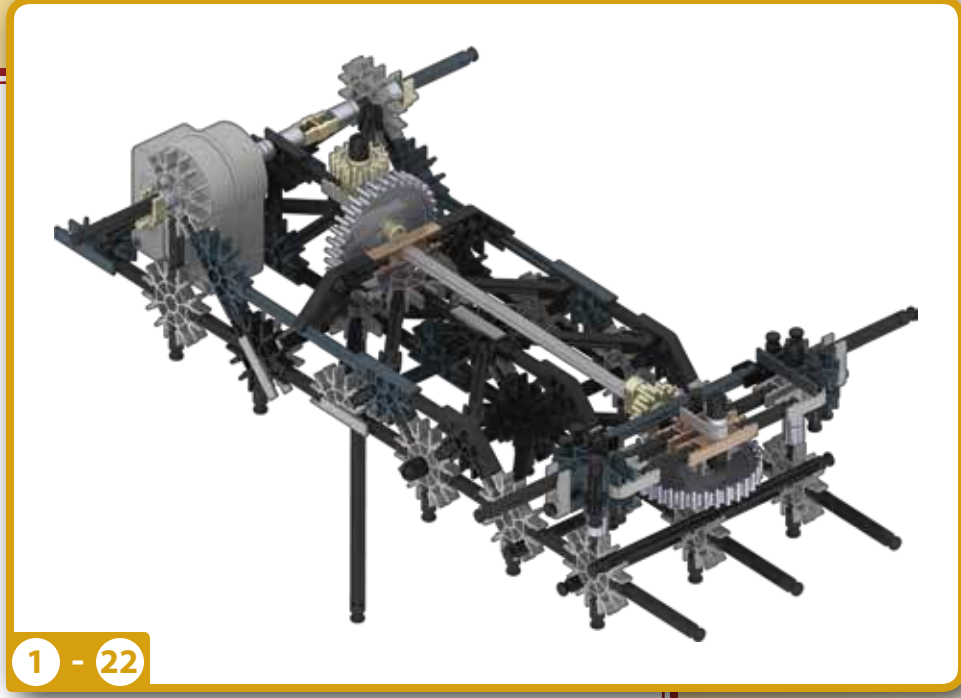
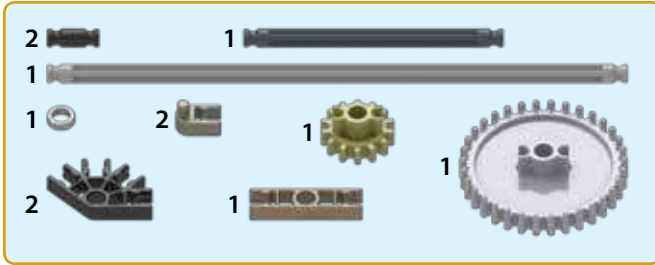
- |   |   |
|---|---|
| 1 | 1 |
| 2 |   |
| 1 |   |
| 1 | 1 |



19



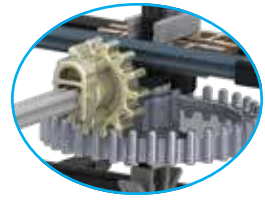




Make sure the gears mesh.



Make sure the gears mesh.

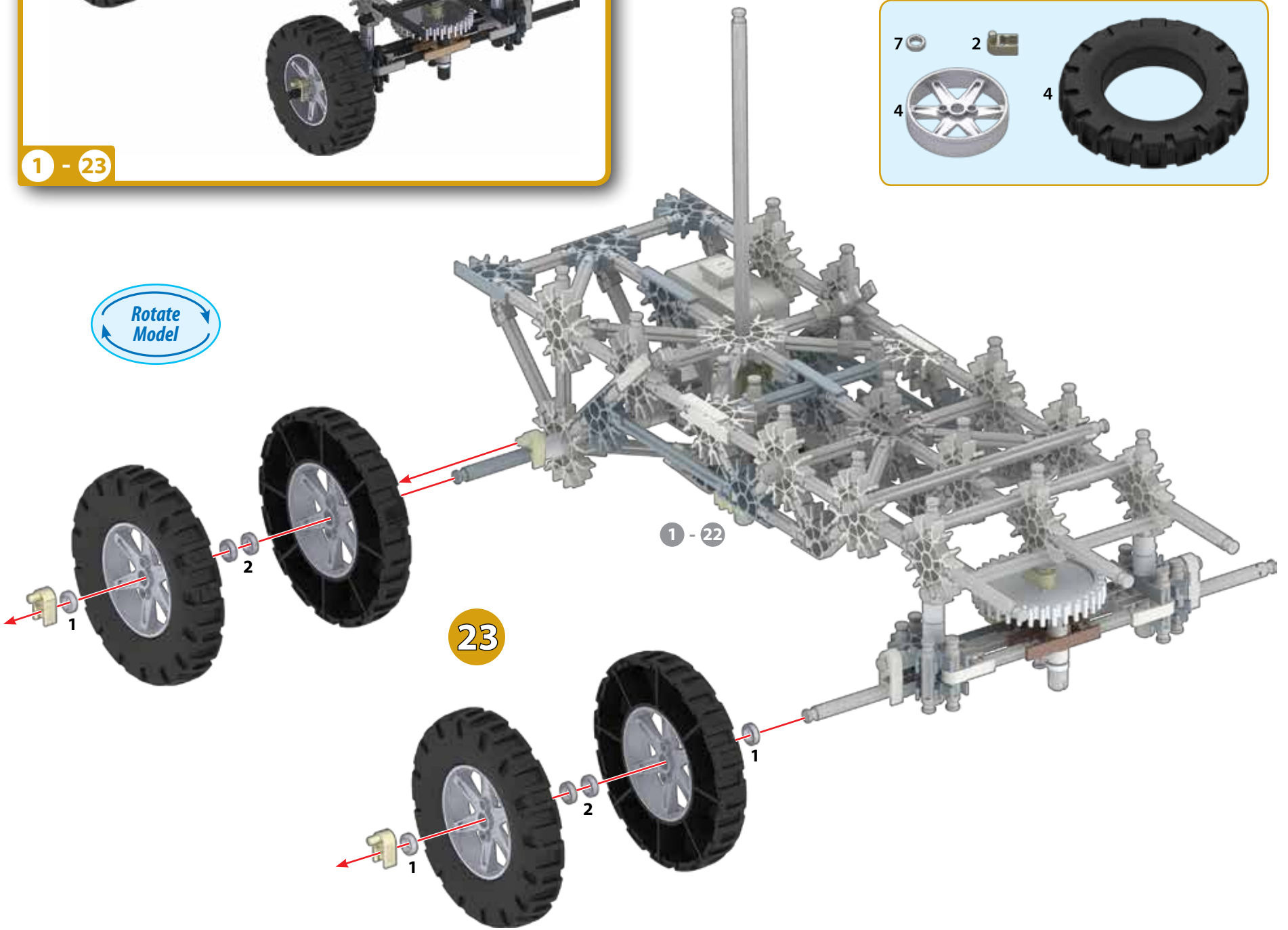


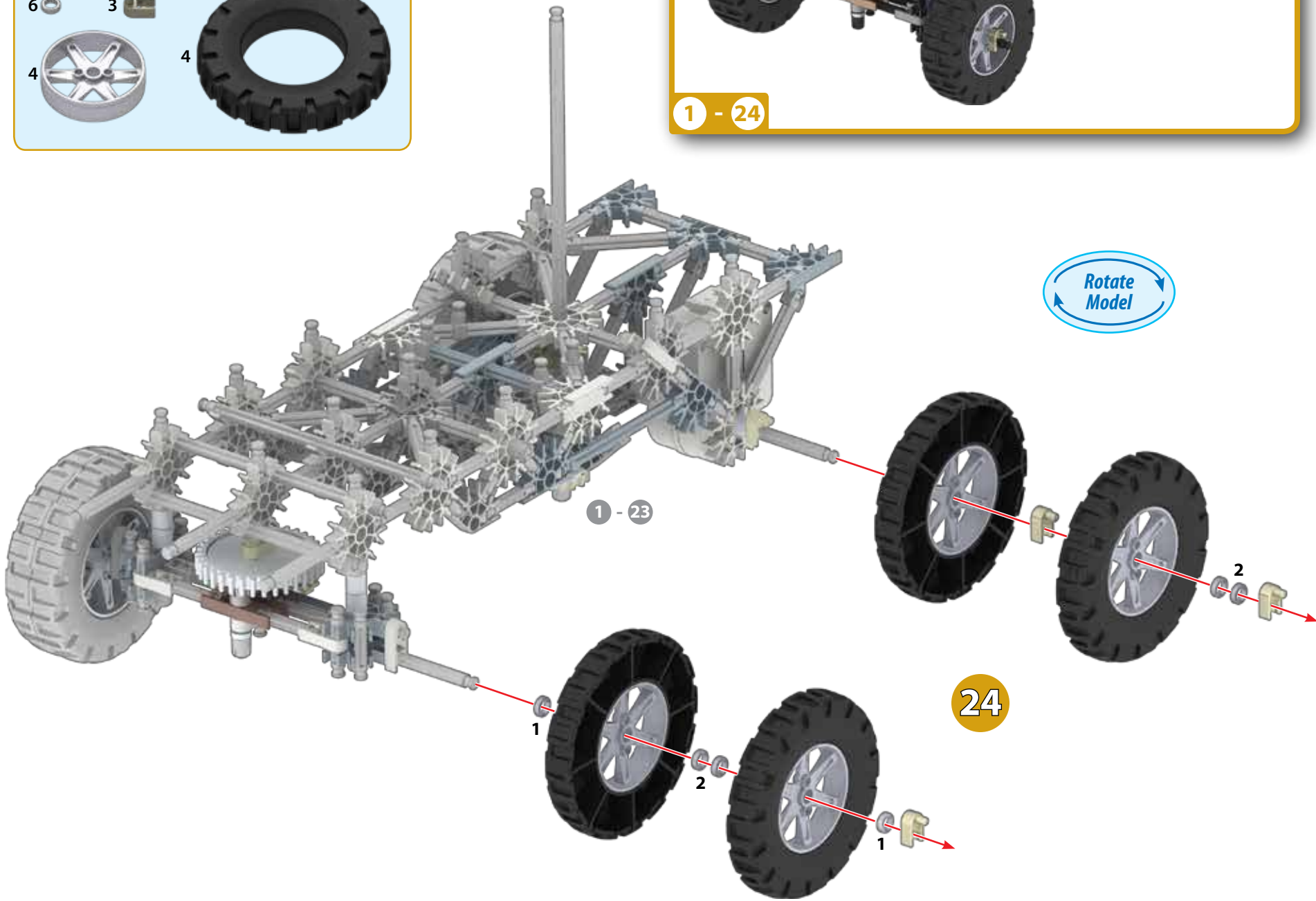


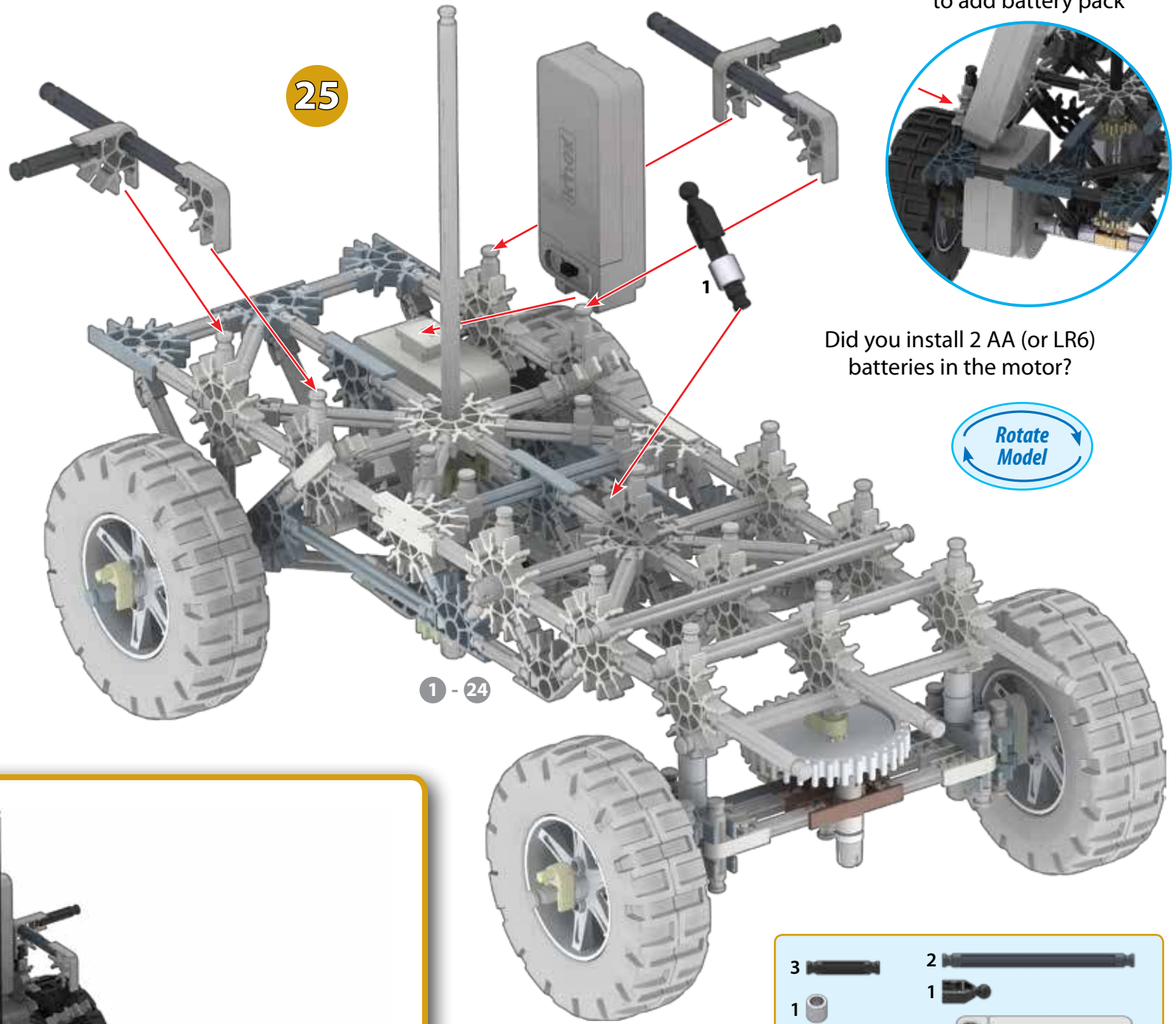
1 - 23



Rotate Model

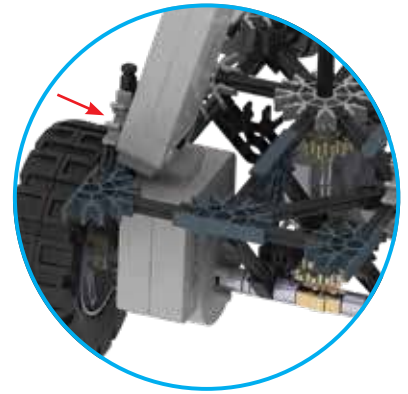




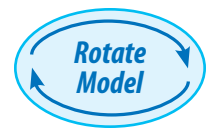


25

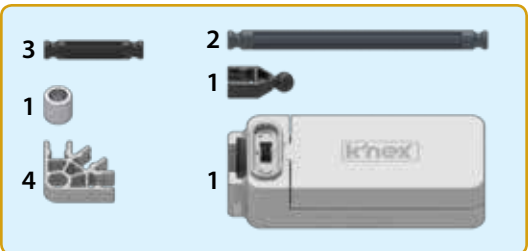
Flex or remove connector to add battery pack



Did you install 2 AA (or LR6) batteries in the motor?

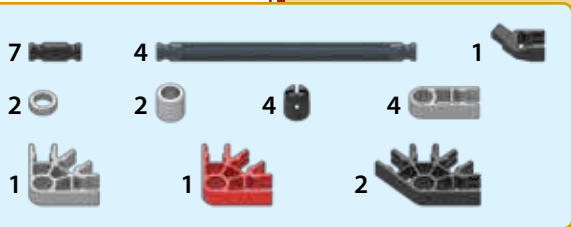
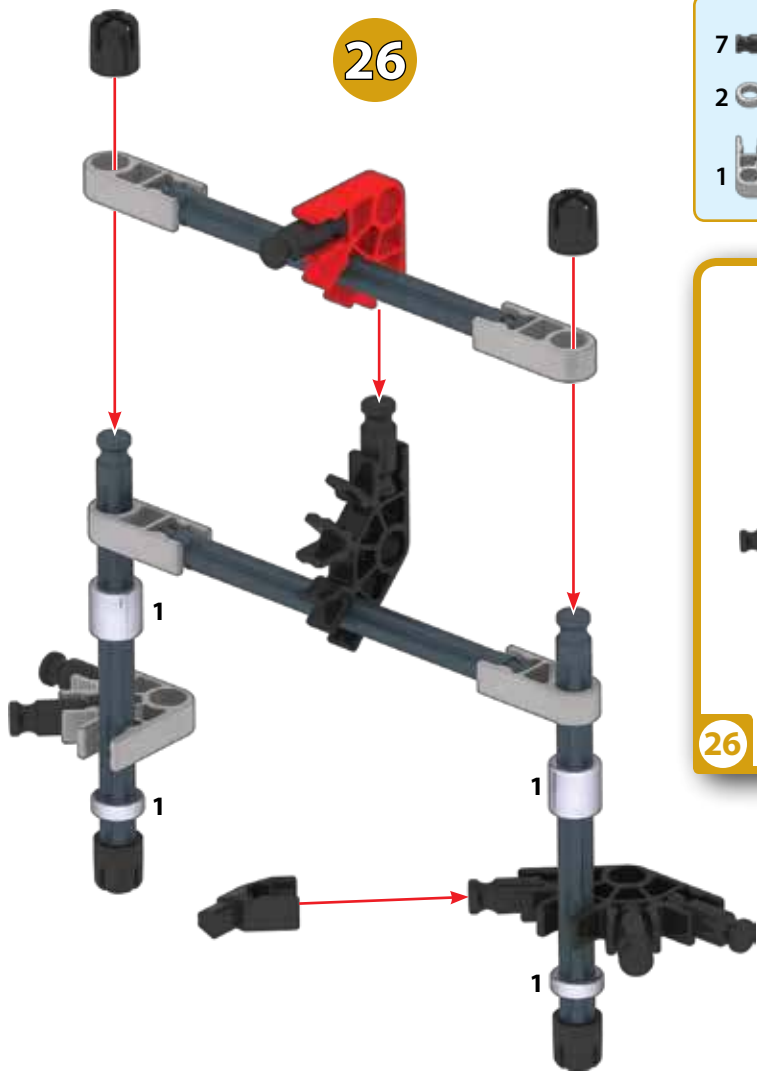


1 - 24

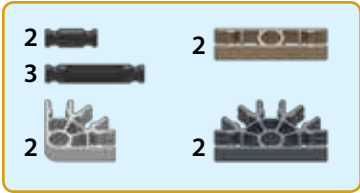


1 - 25

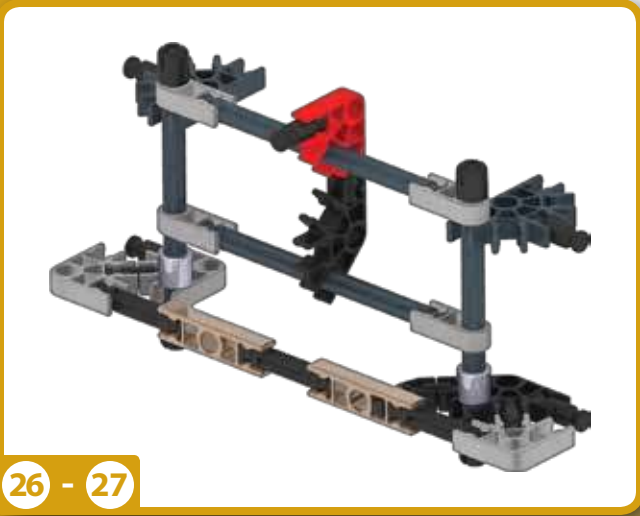
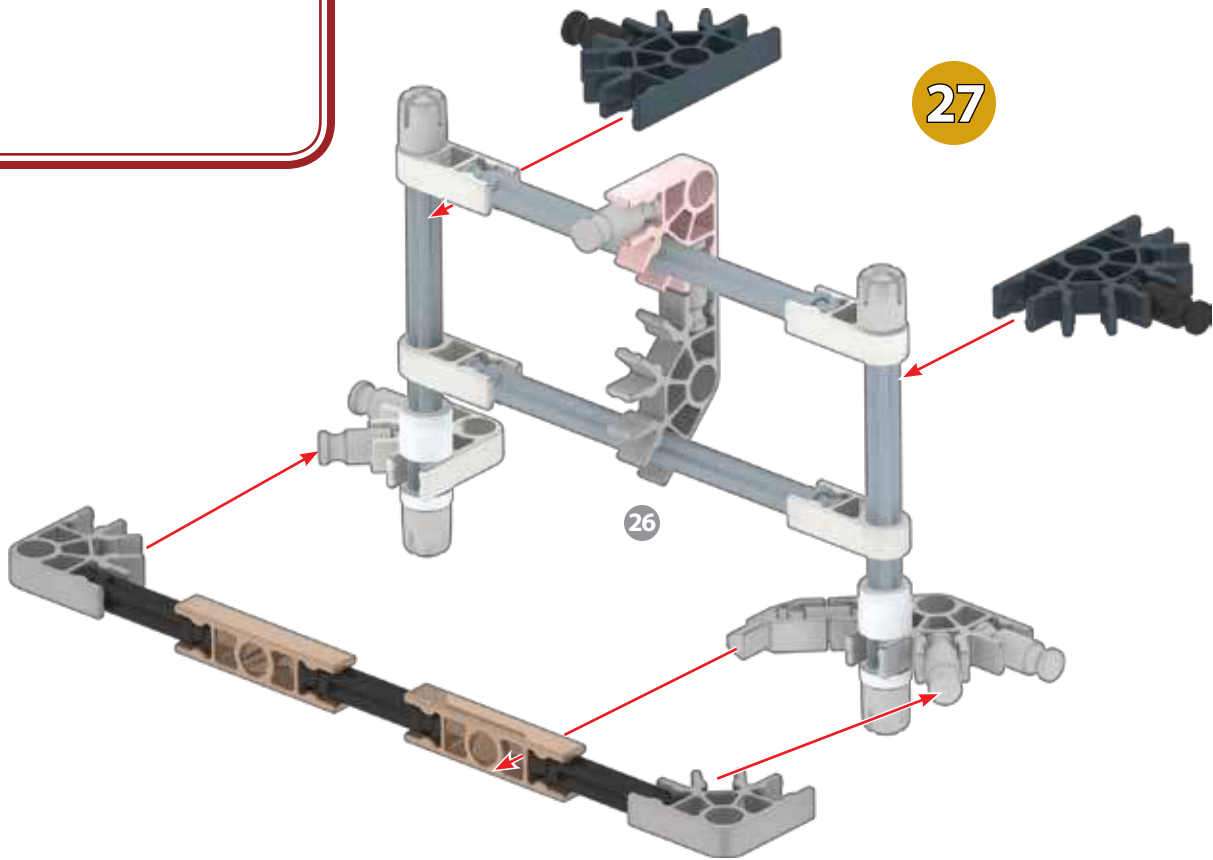
26



26



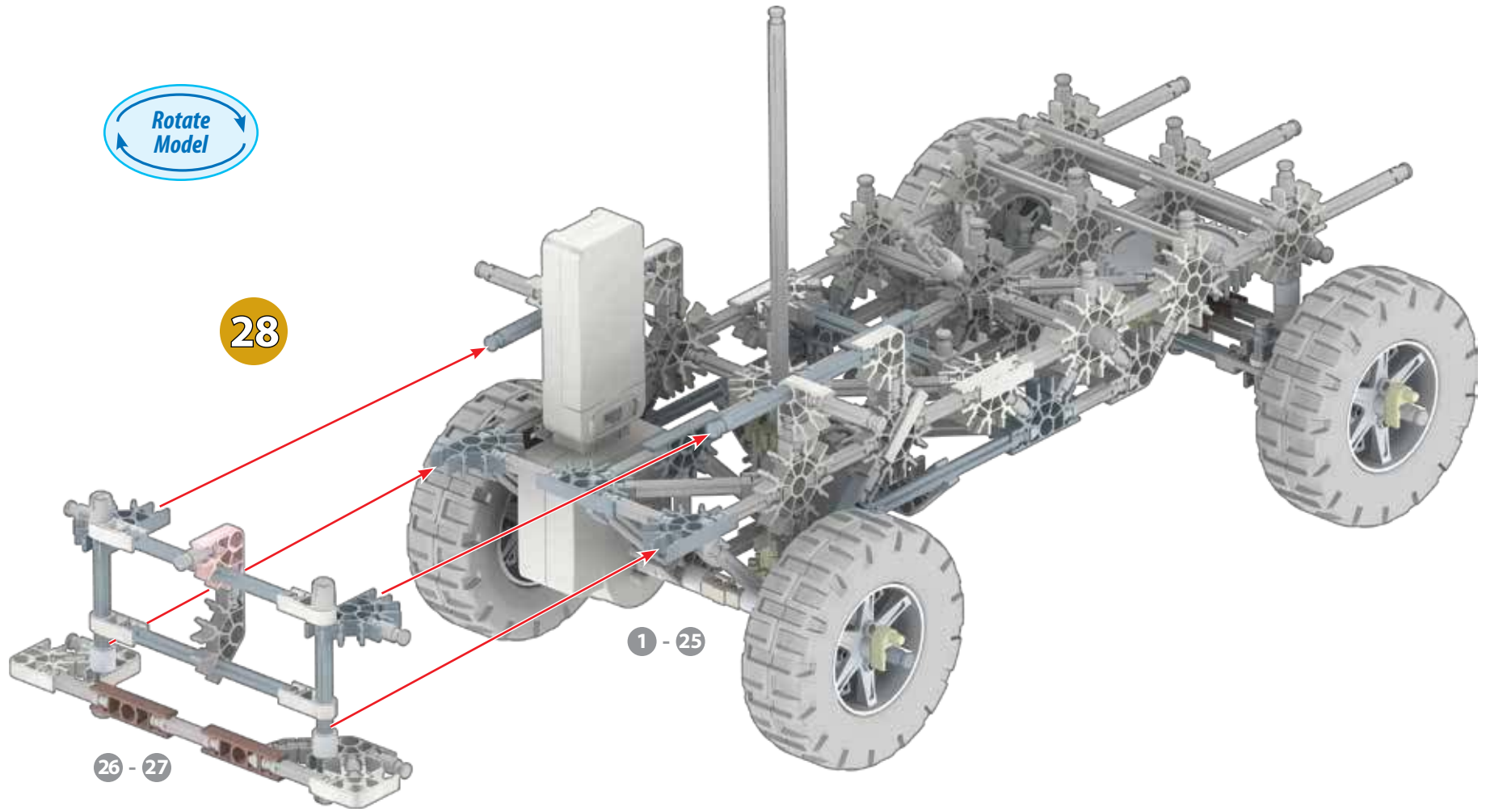
27



26 - 27

Rotate Model

28

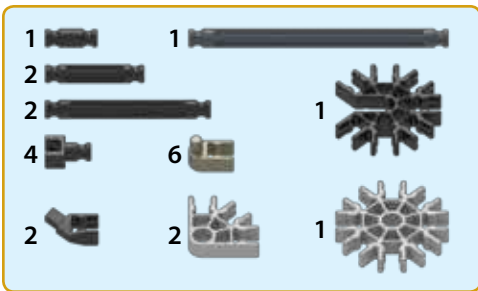


26 - 27

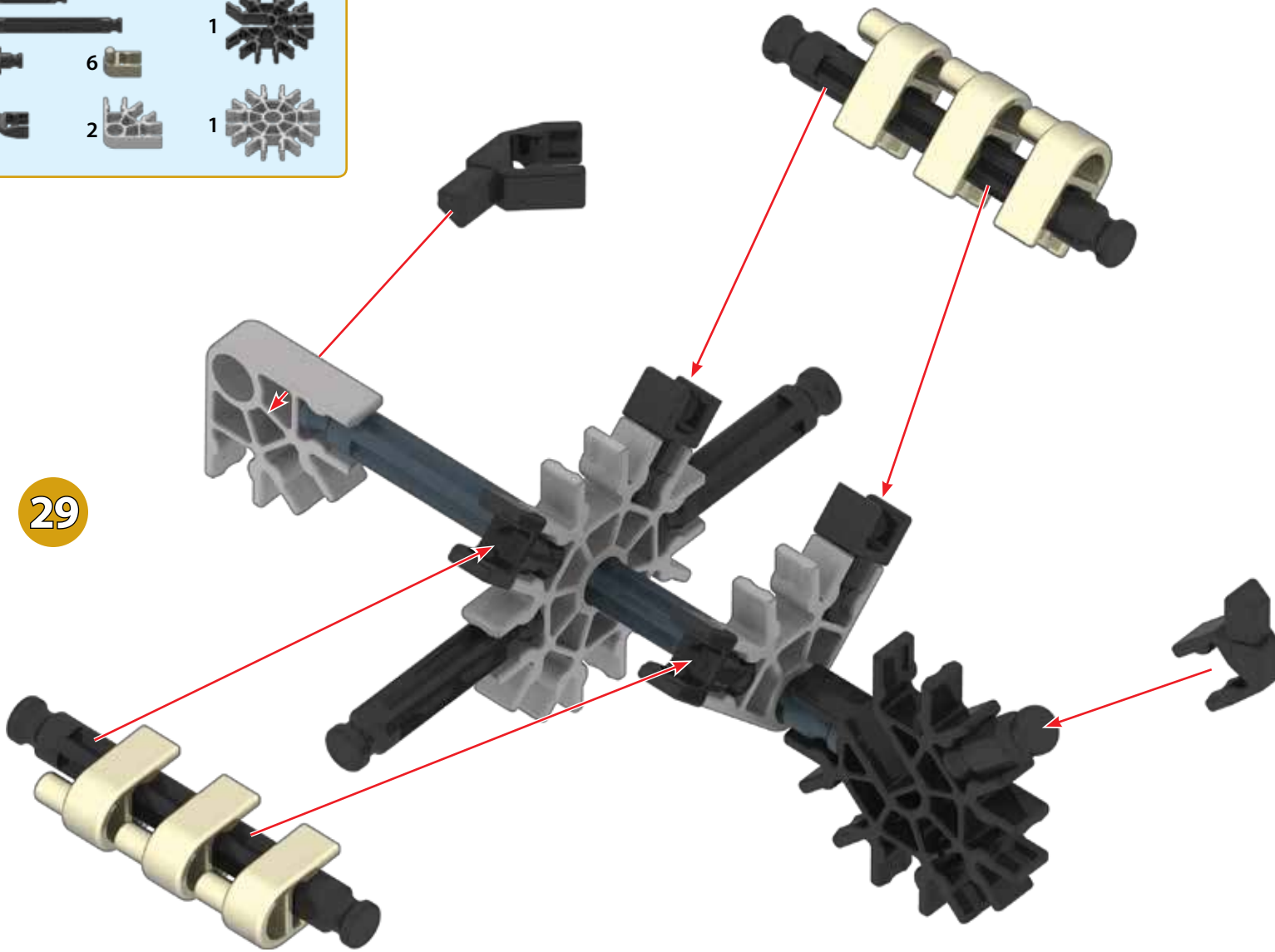
1 - 25



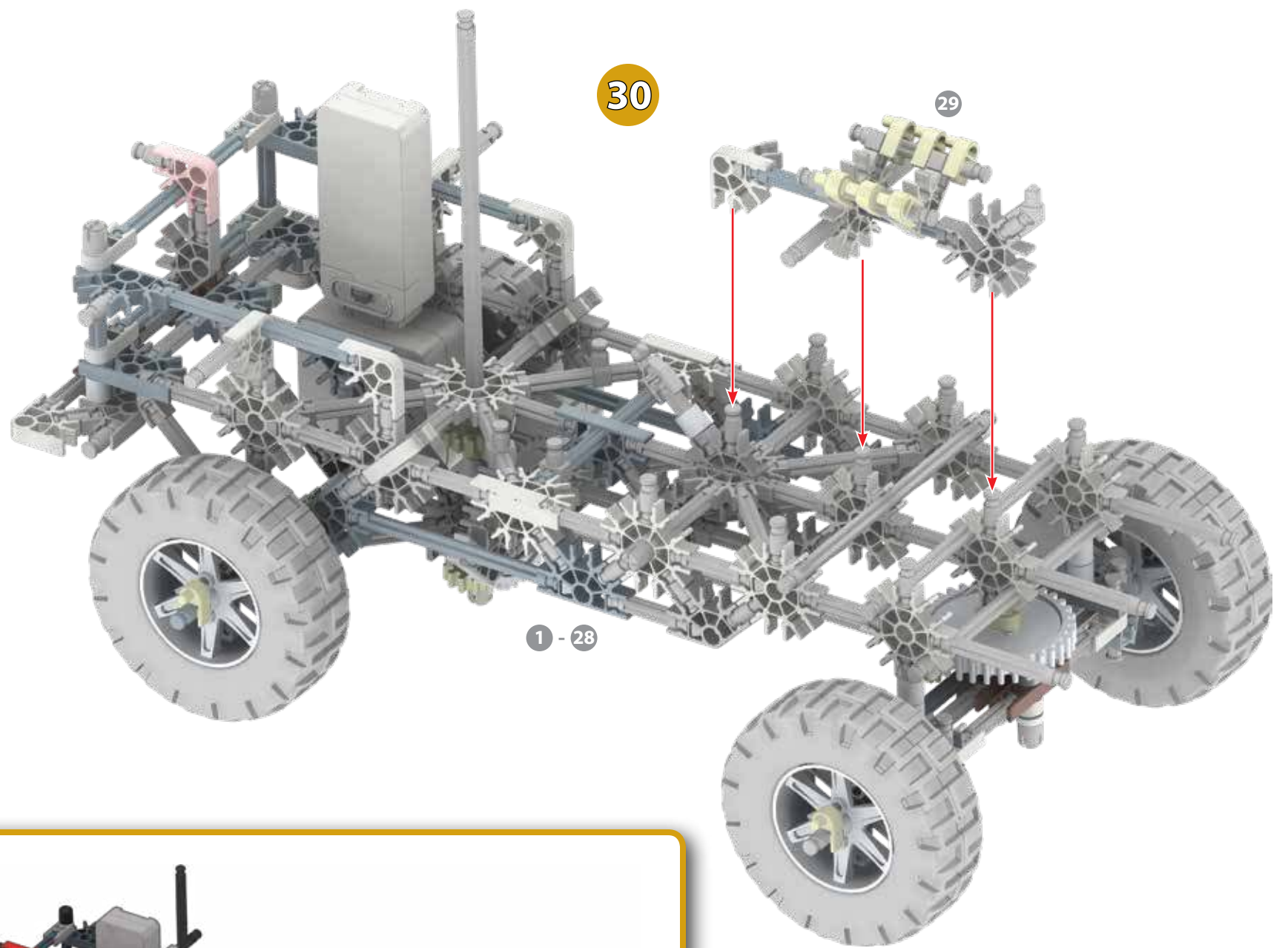
1 - 28



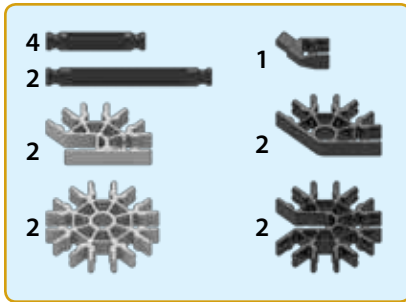
29



29



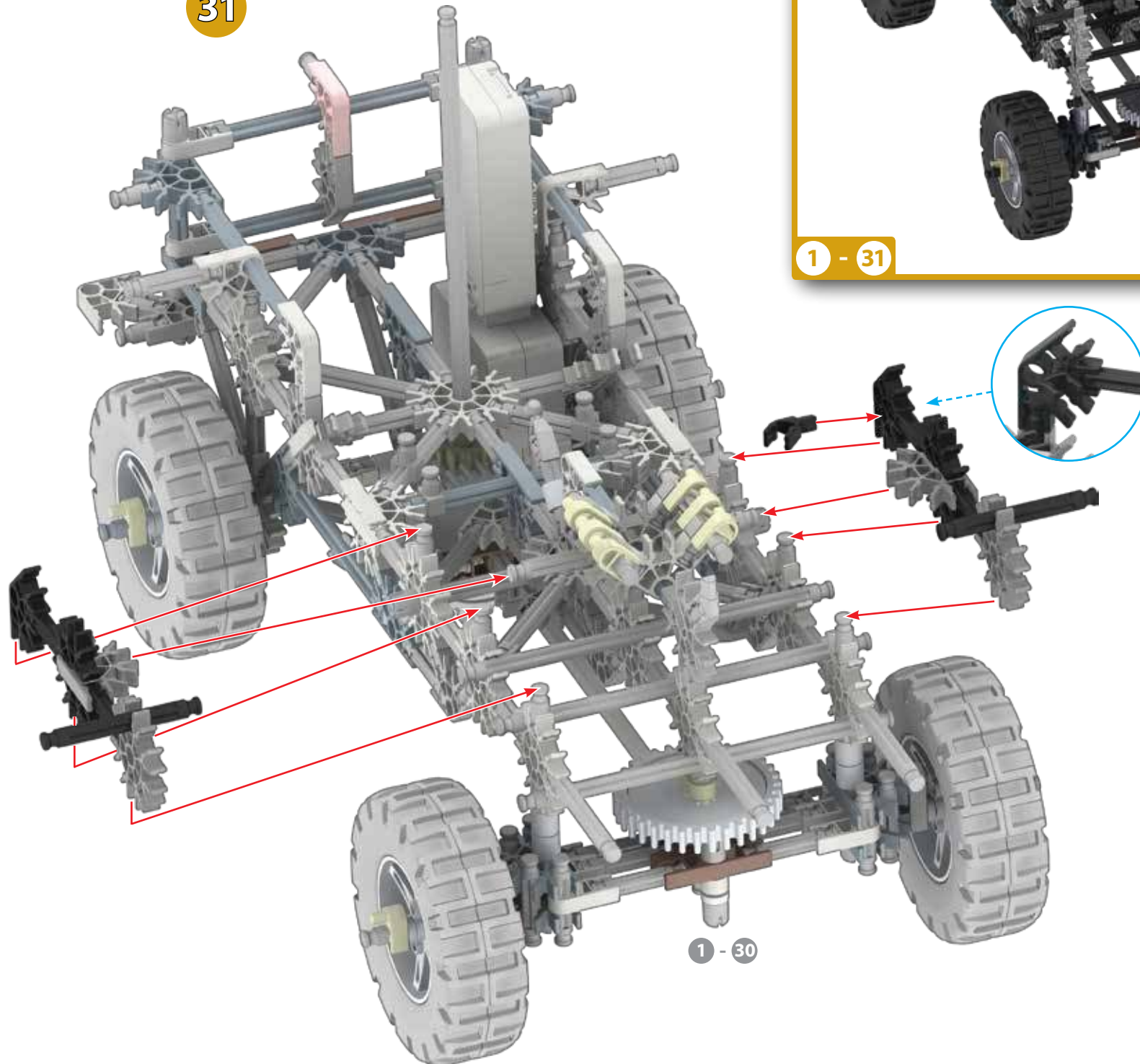




31

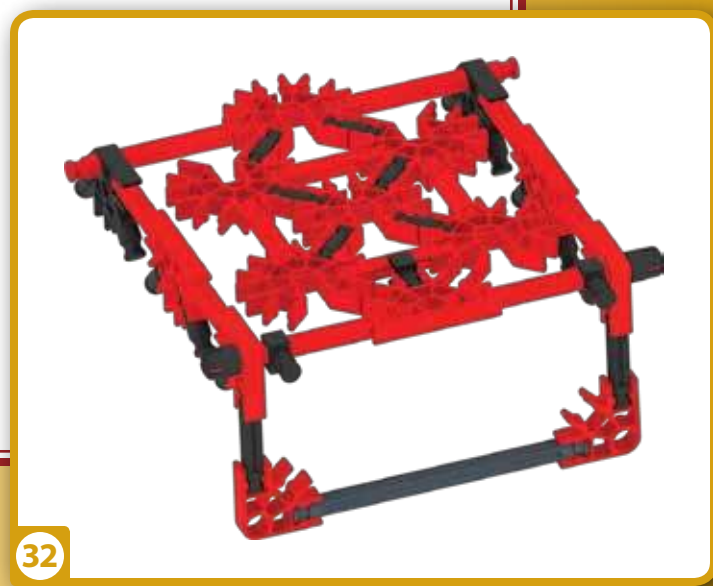
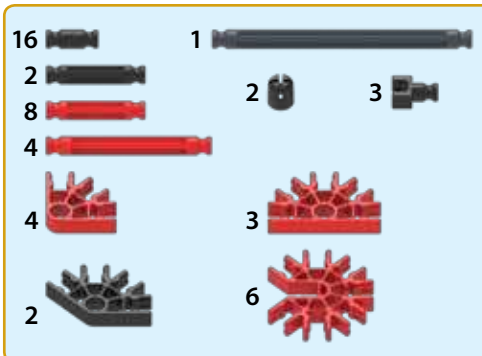
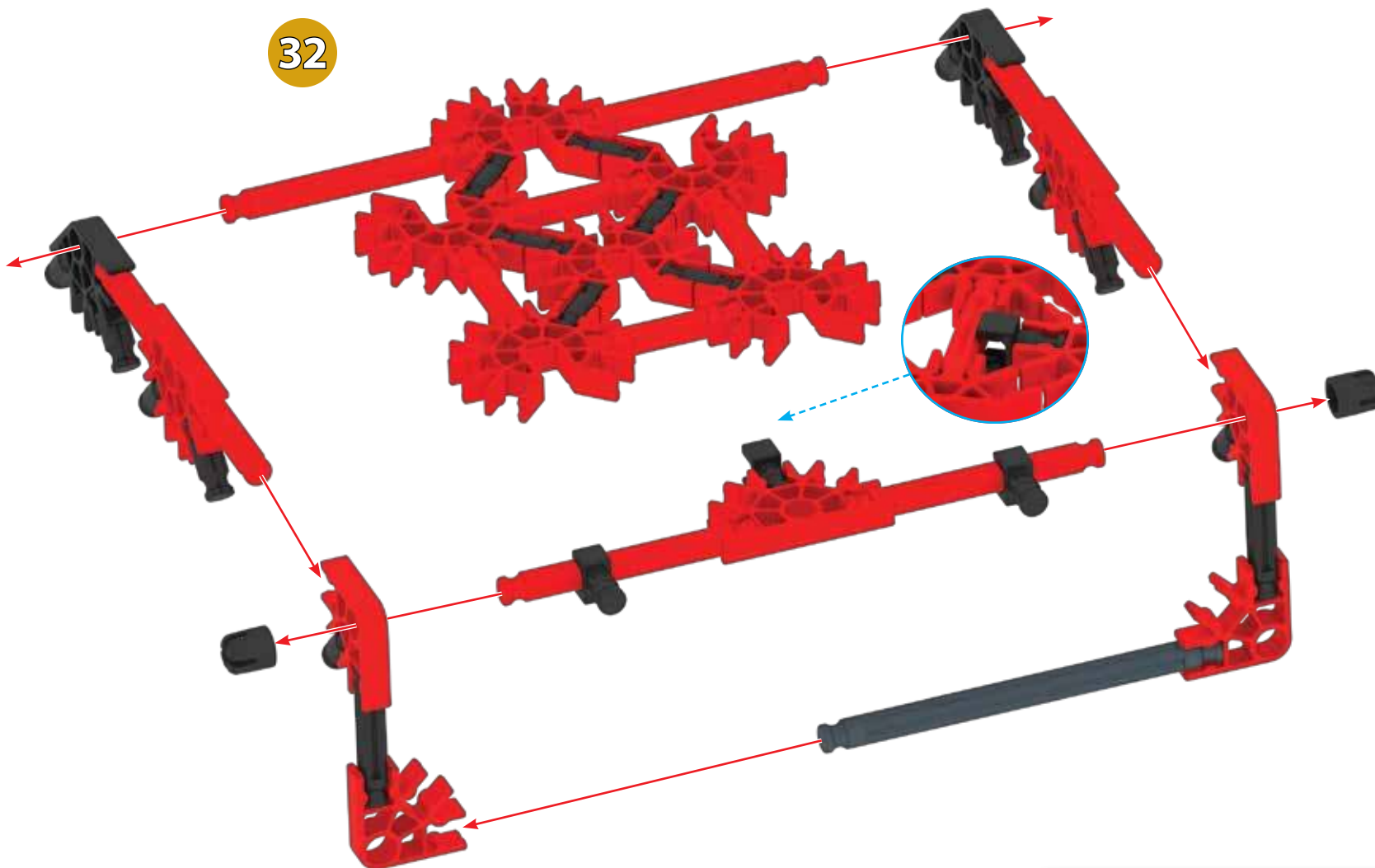


1 - 31

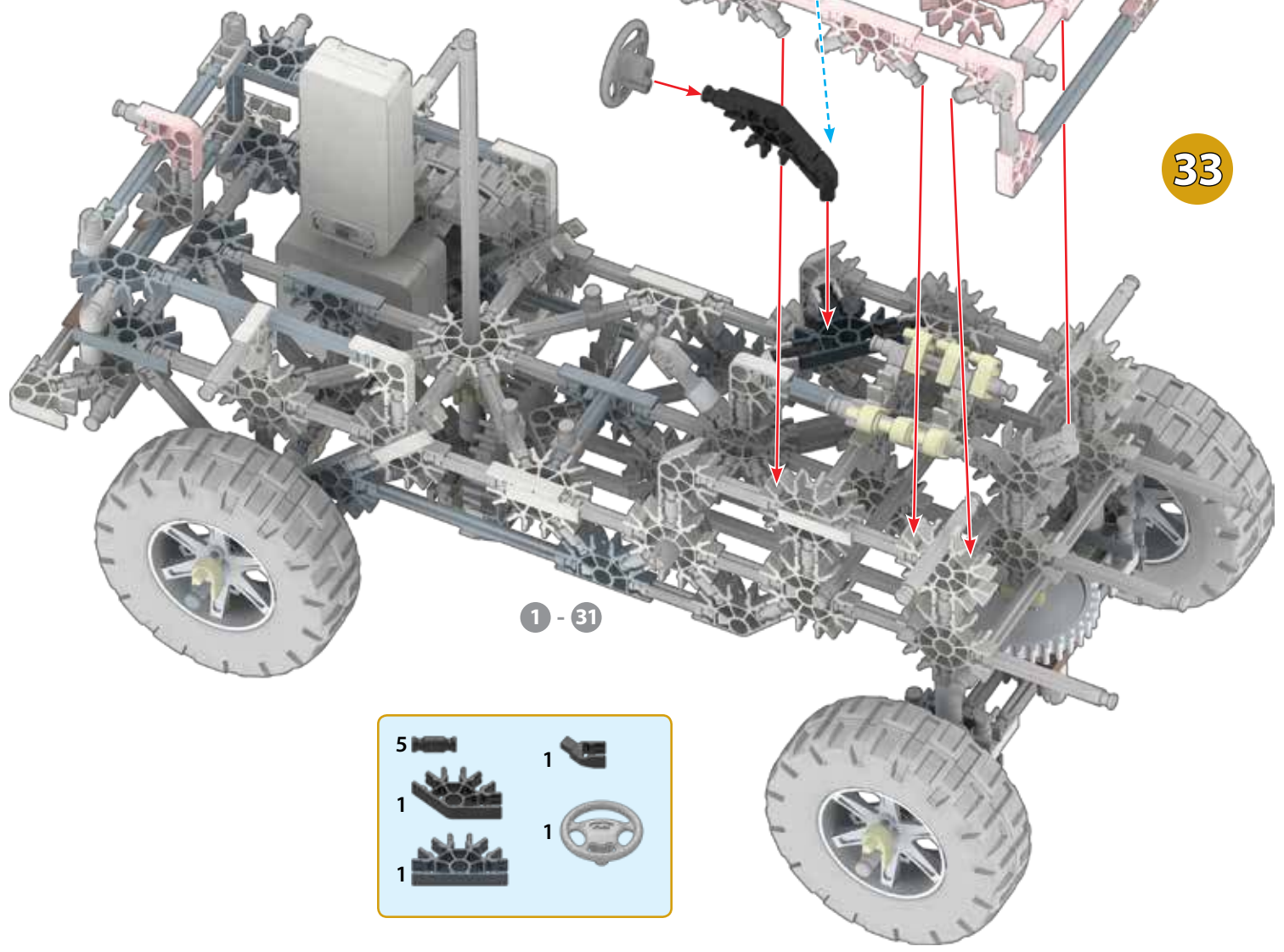
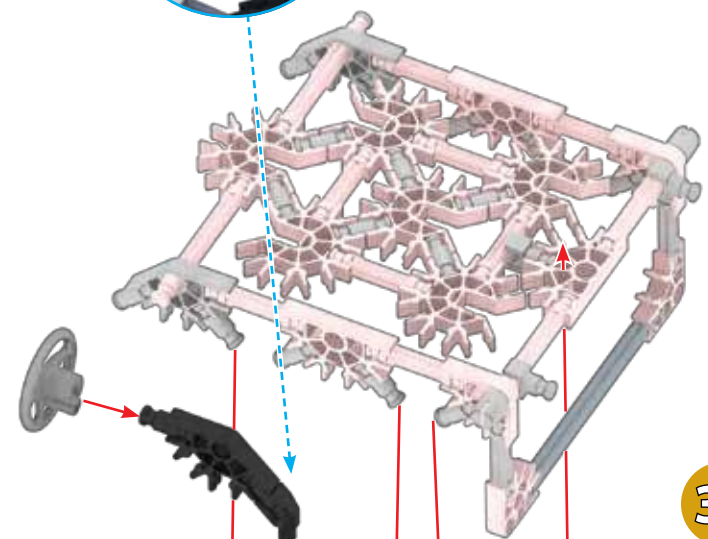


1 - 30

32



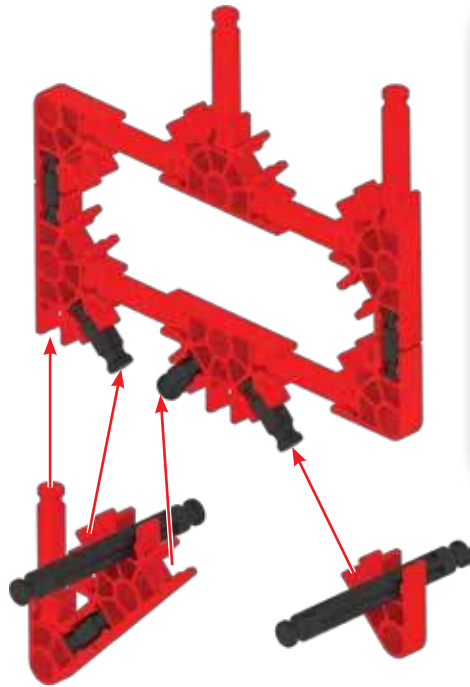
32



- |   |  |   |  |
|---|--|---|--|
| 5 |  | 1 |  |
| 1 |  | 1 |  |
| 1 |  |   |  |

34

- 6
- 2
- 7
- 2
- 2
- 5



34



1

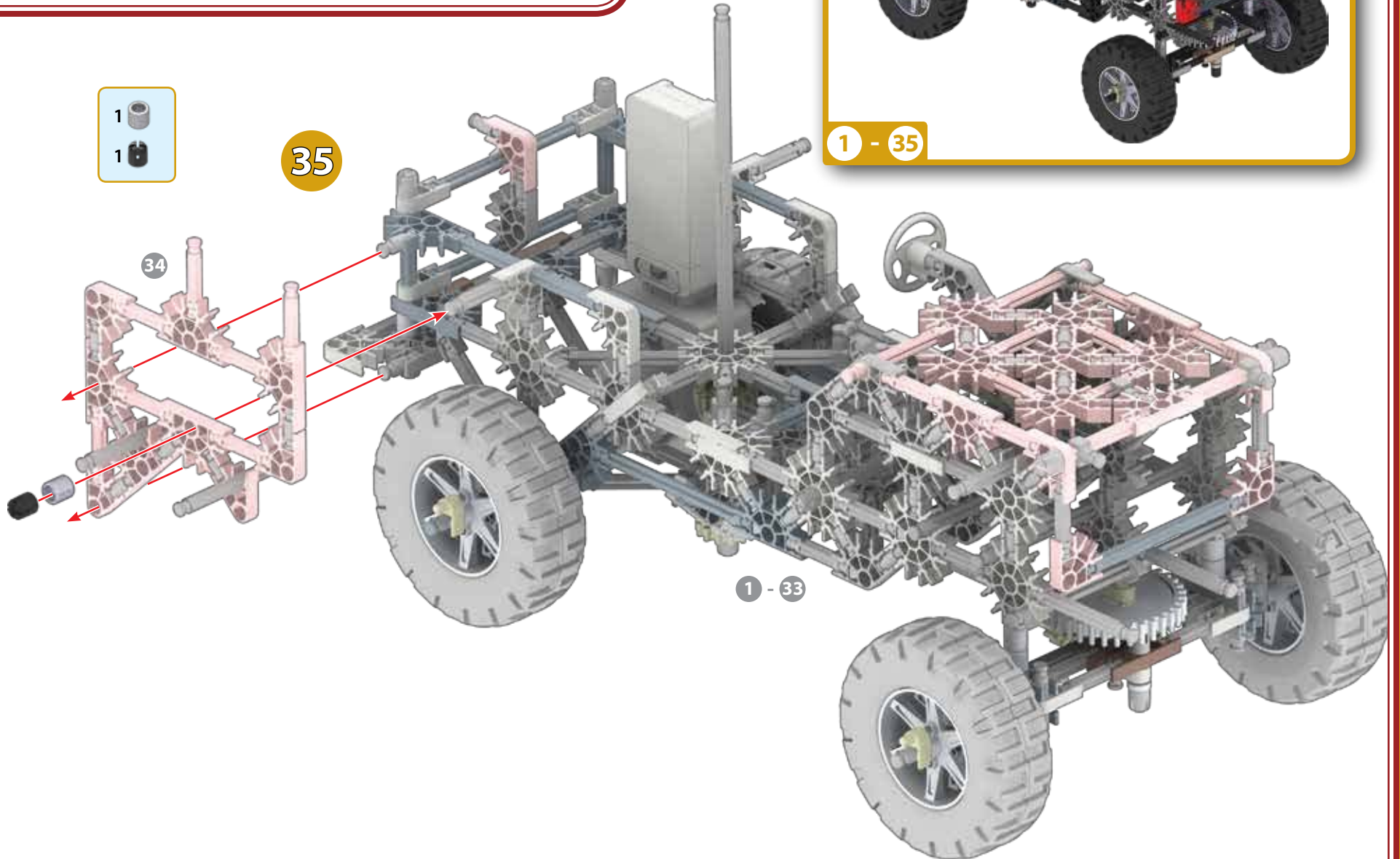
1

35

34

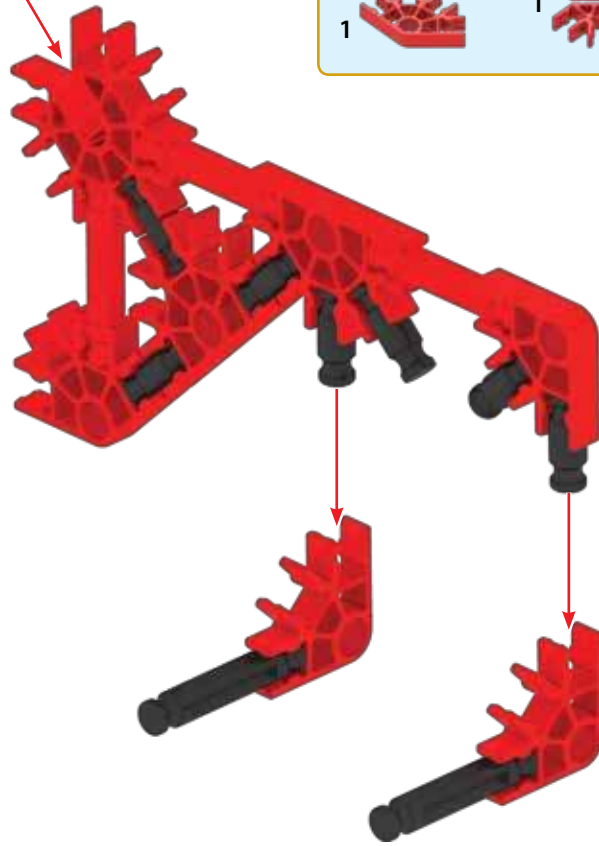
1 - 35

1 - 33

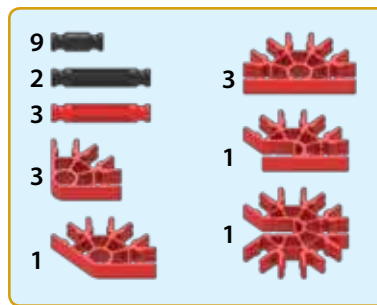




36

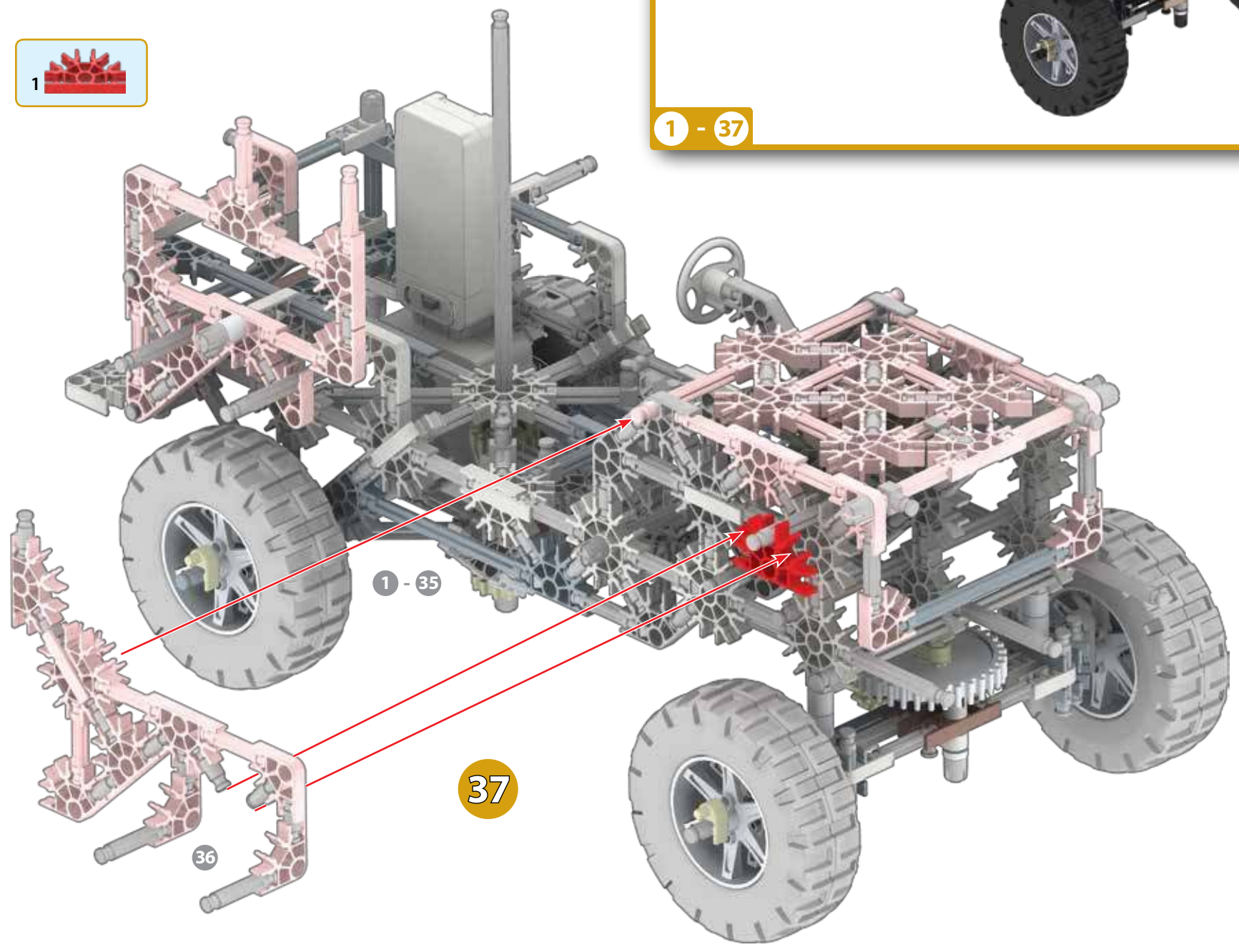


36





1 - 37









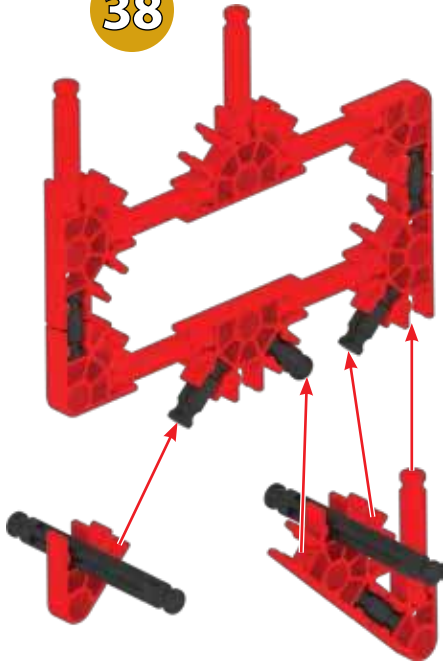
1 - 35

37

36

38

- 6 
- 2 
- 7 
- 2 
- 2 
- 5 

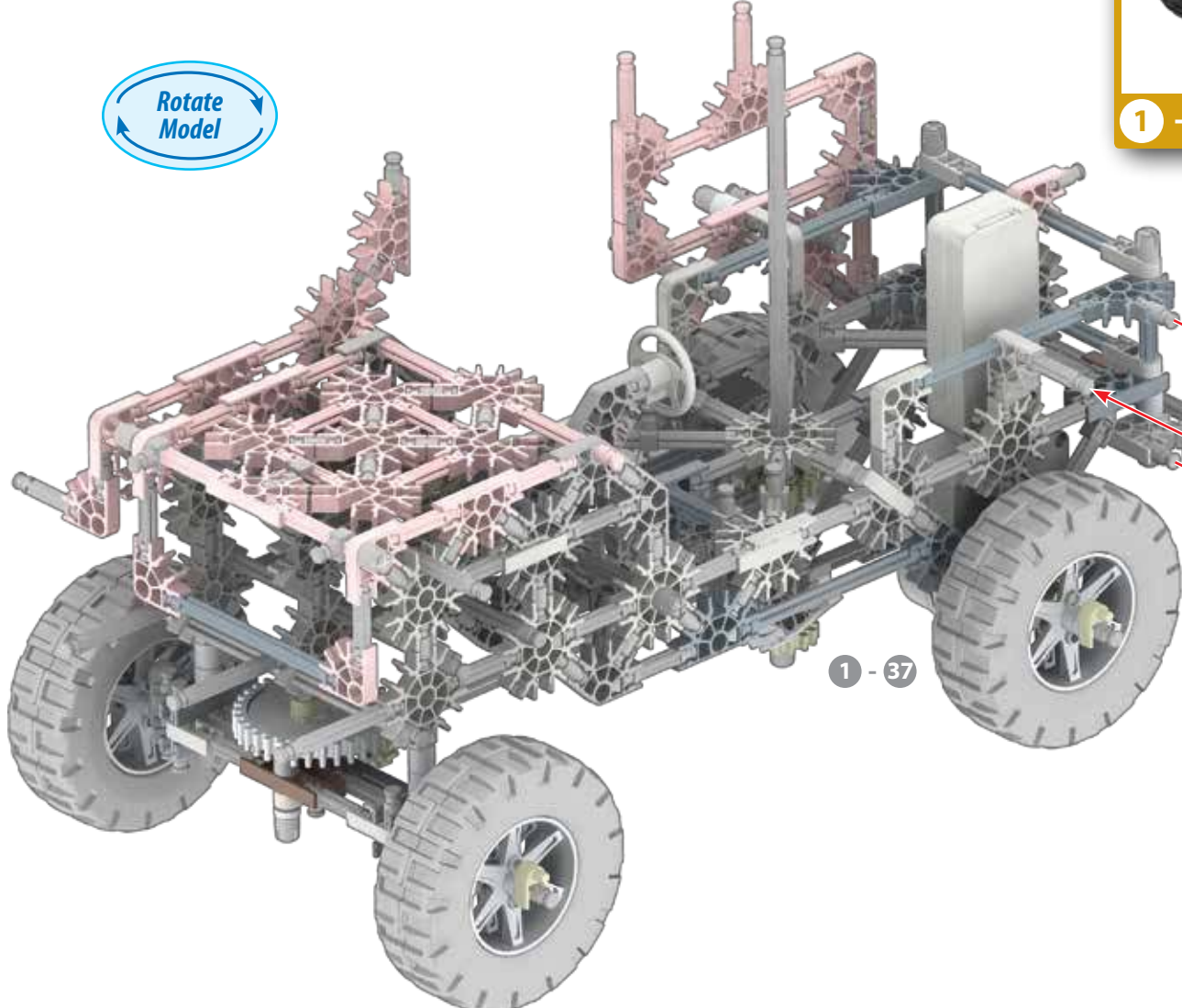


38



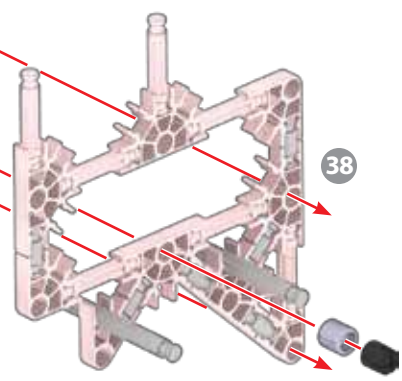
1 - 39

Rotate Model



1 - 37

39

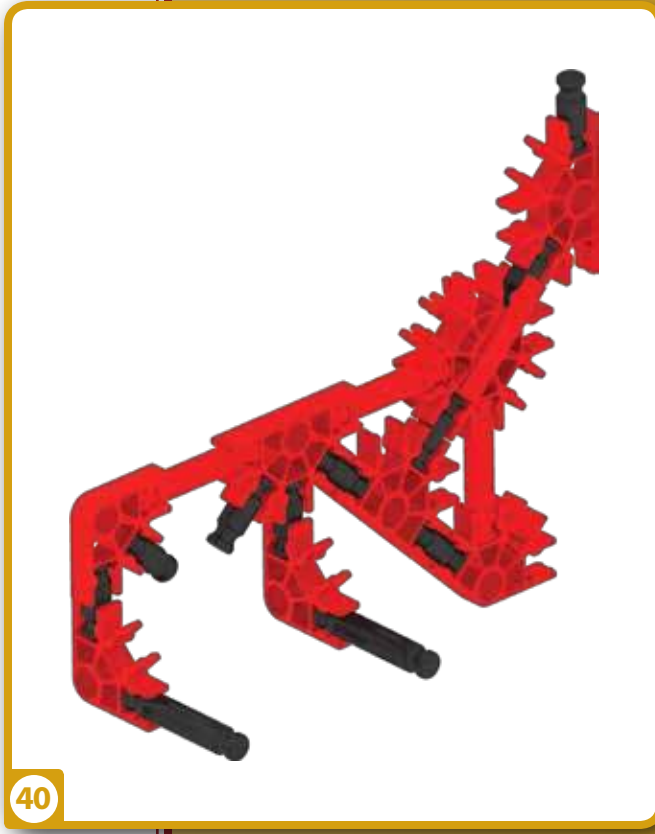
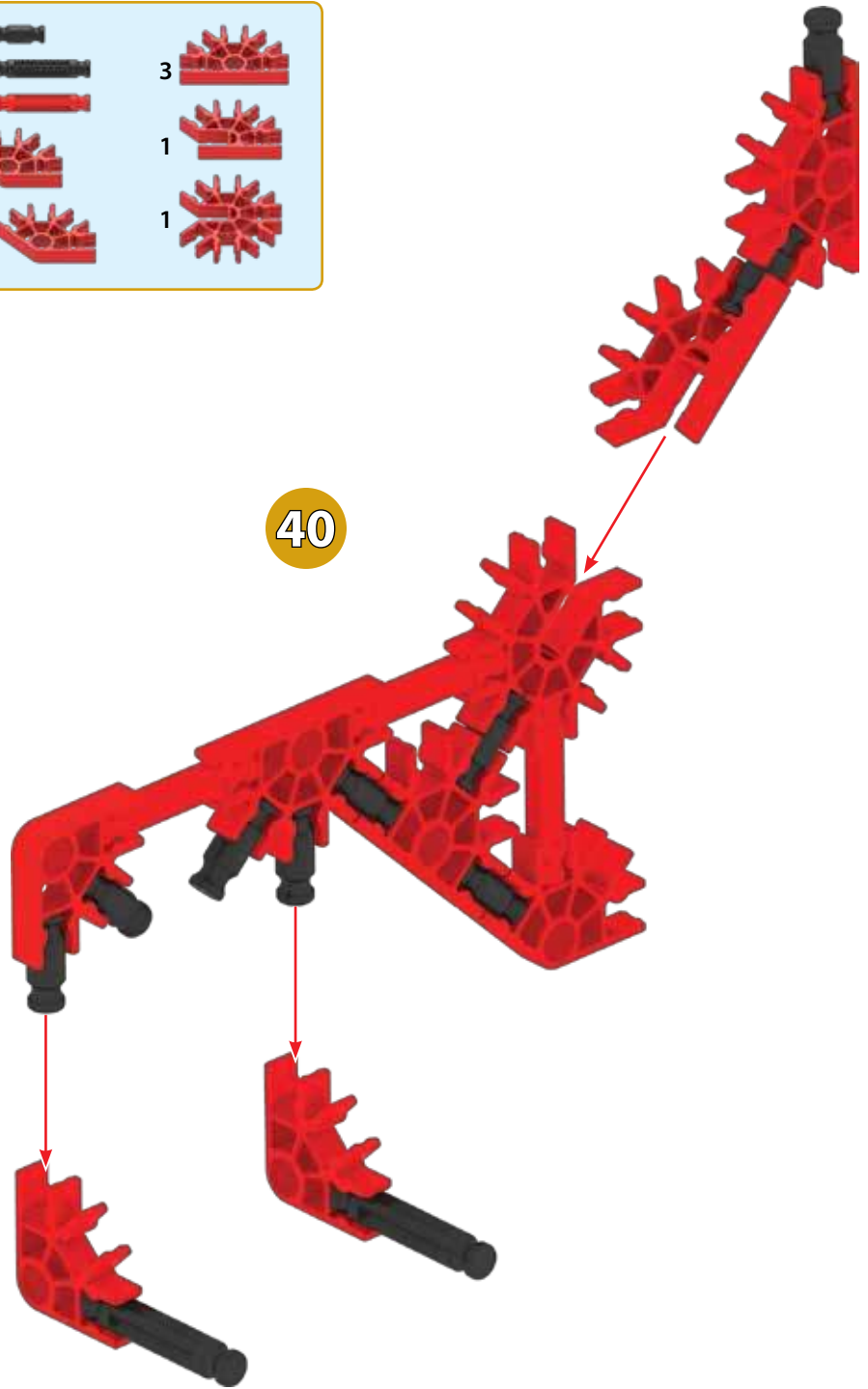


38

- 1 
- 1 

- |   |  |   |  |
|---|--|---|--|
| 9 |  | 3 |  |
| 2 |  | 1 |  |
| 3 |  | 1 |  |
| 3 |  |   |  |
| 1 |  |   |  |

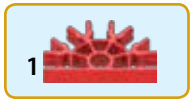
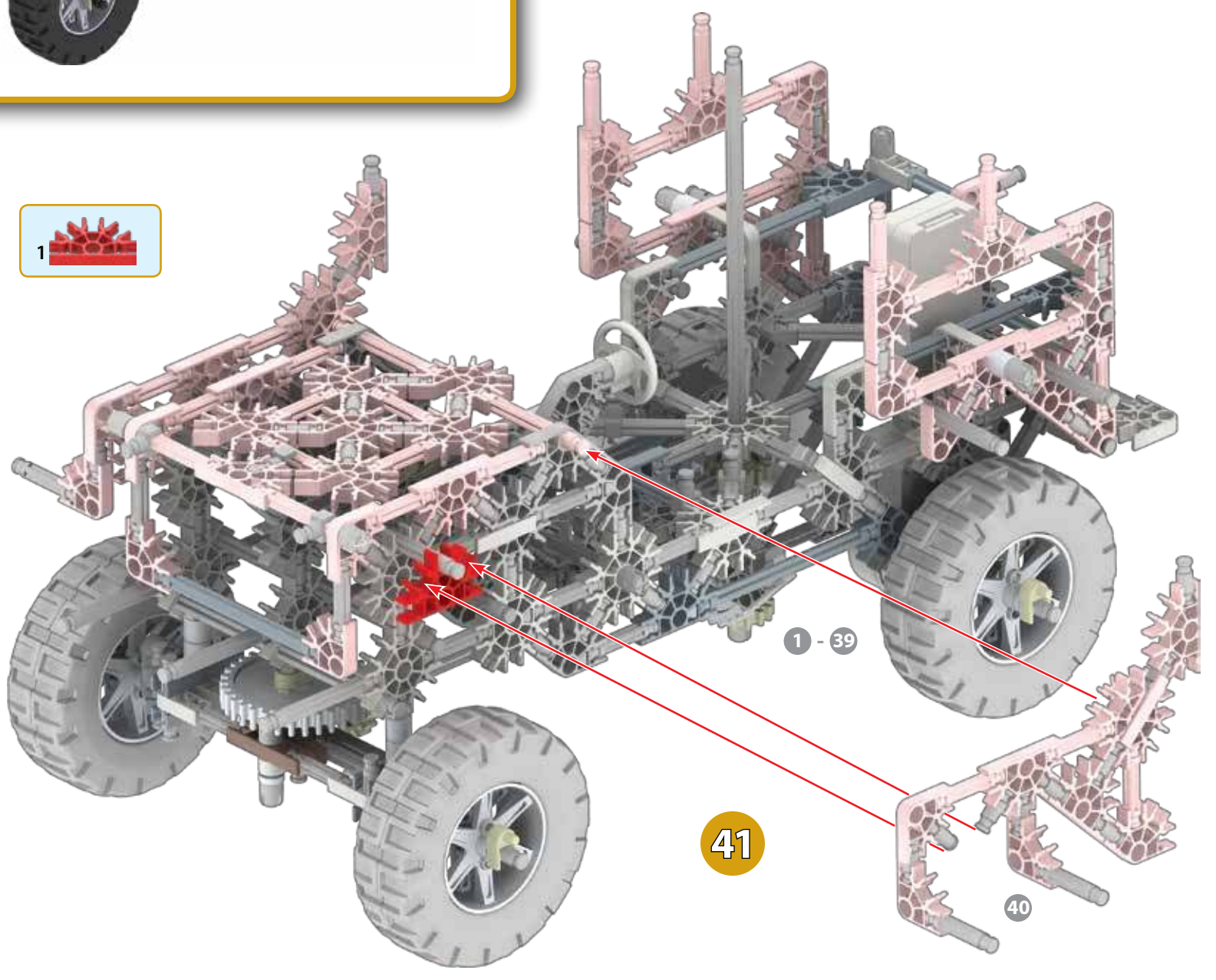
40







1 - 41



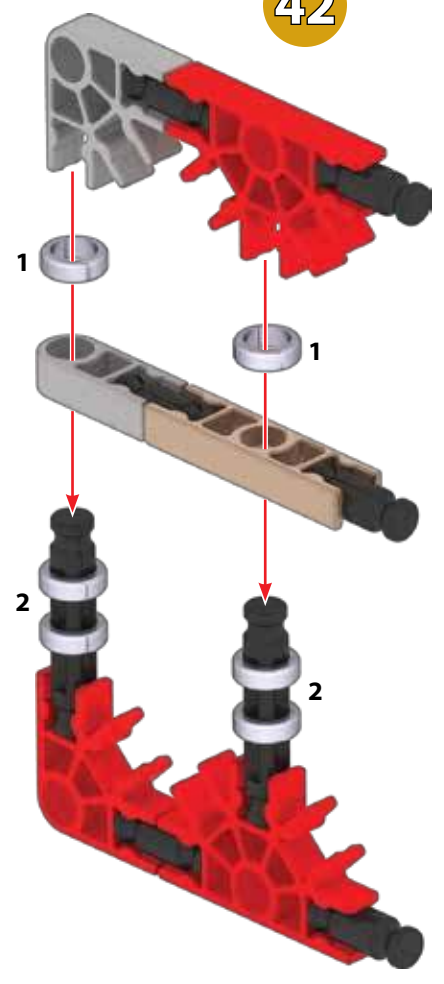
41

1 - 39

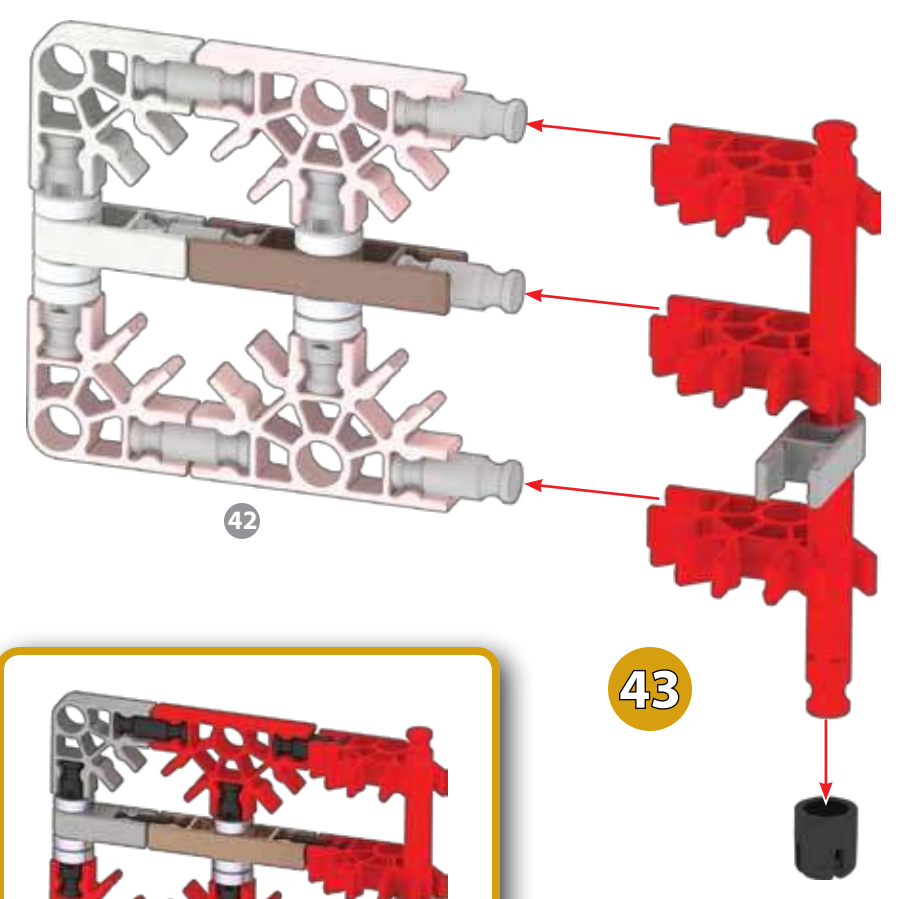
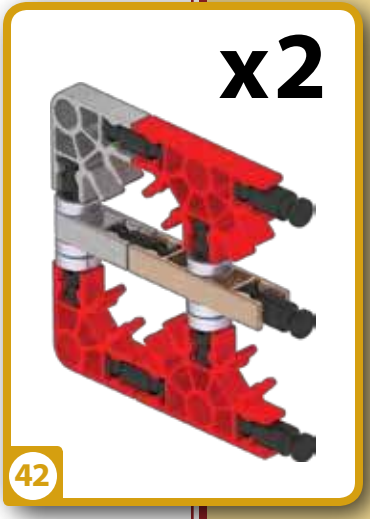
40

42

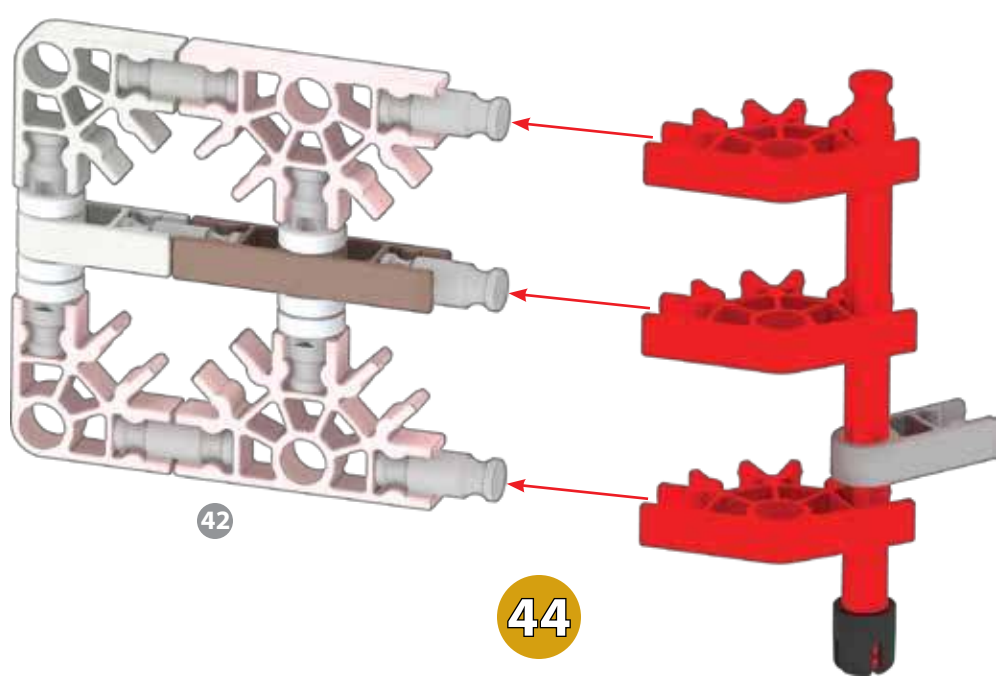
x2



- |    |    |
|----|----|
| 12 | 12 |
| 4  | 2  |
| 2  | 2  |
| 4  | 2  |



- |   |   |
|---|---|
| 1 | 1 |
| 1 |   |
| 3 |   |



- |   |   |
|---|---|
| 1 | 1 |
| 1 |   |
| 3 |   |



1

45

42 - 43



42 & 44

1 - 41

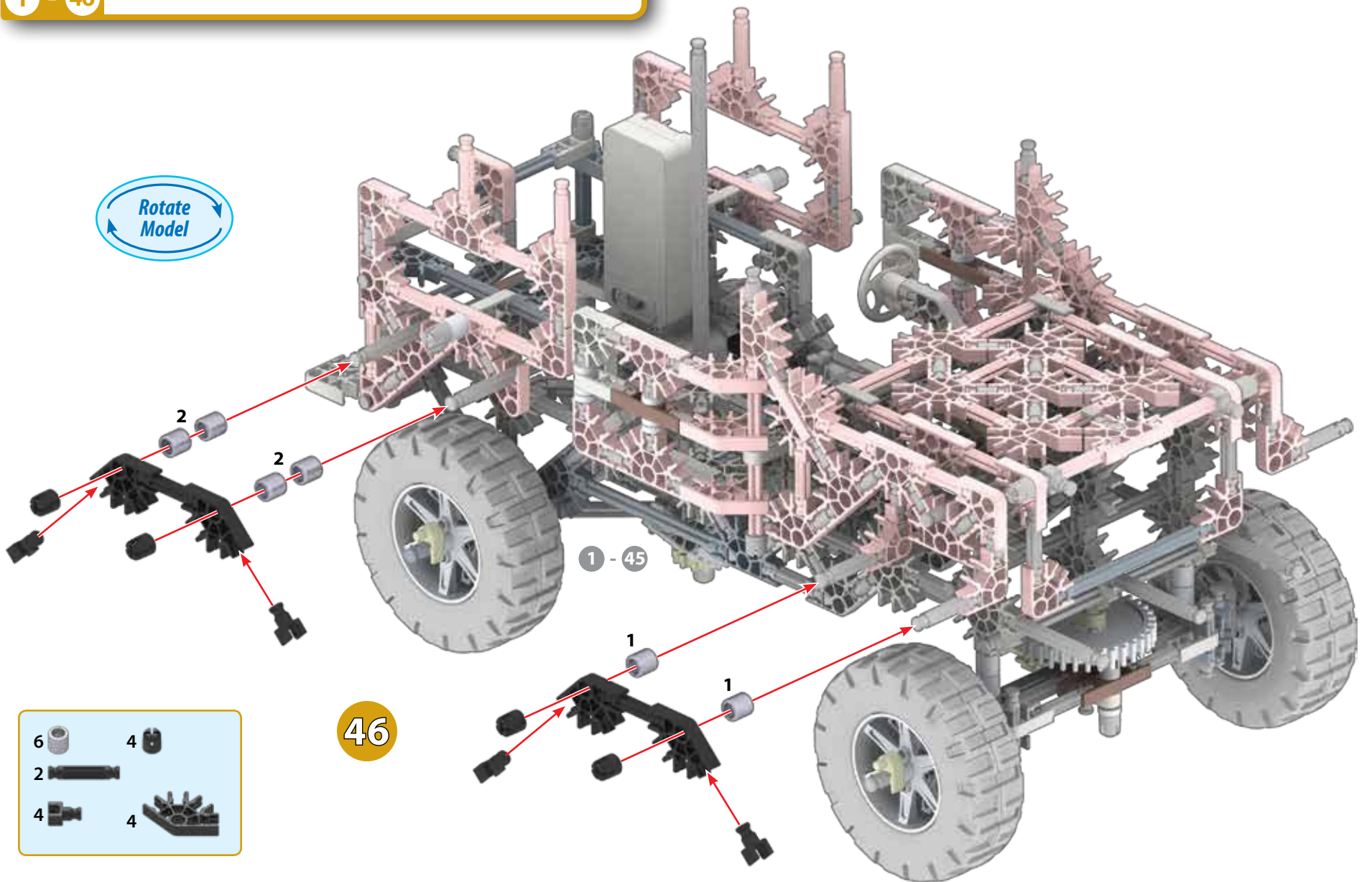


1 - 45



1 - 46

Rotate Model



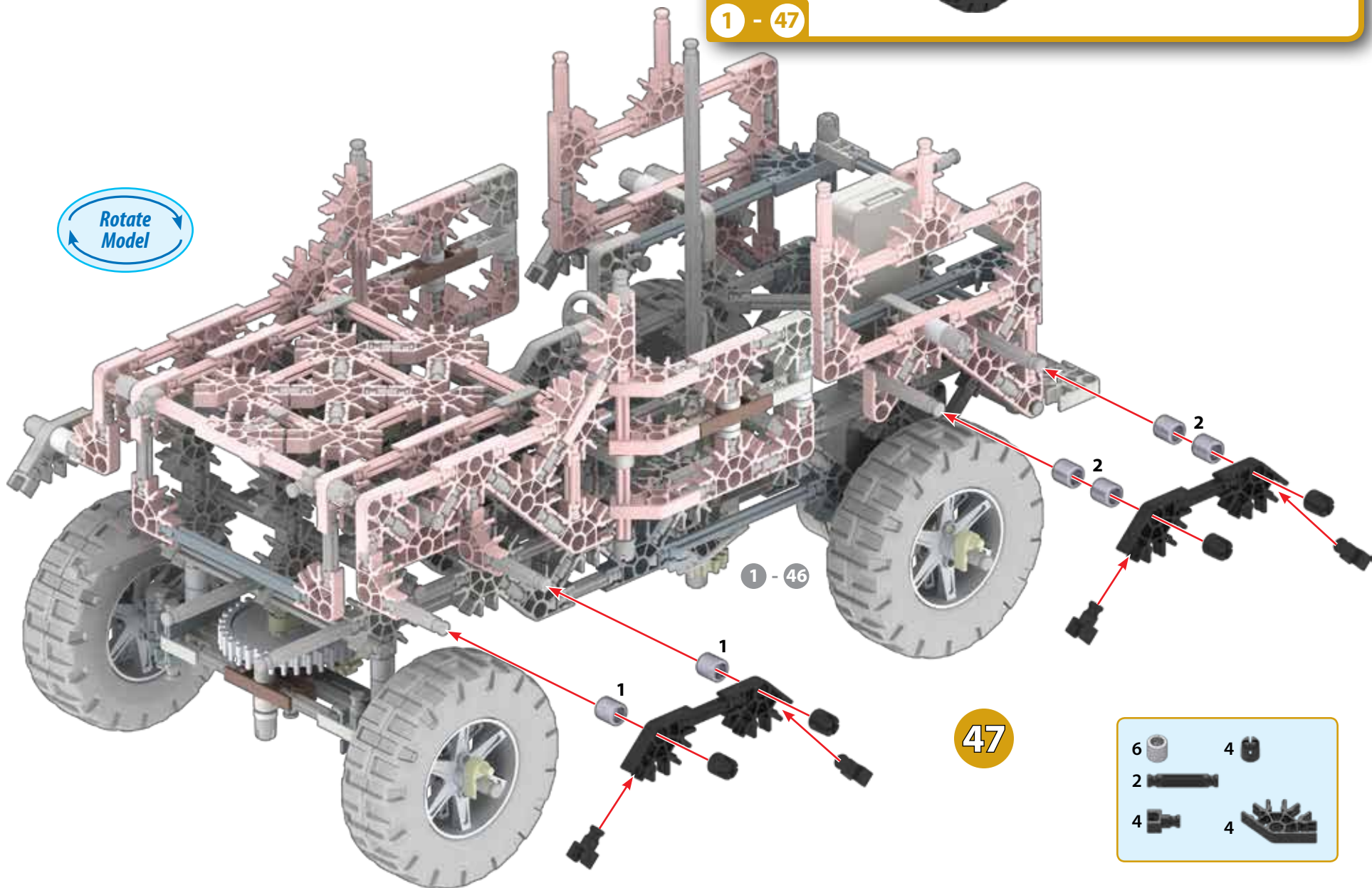
1 - 45

46

- |   |   |
|---|---|
| 6 | 4 |
| 2 | 4 |
| 4 | 4 |



Rotate Model

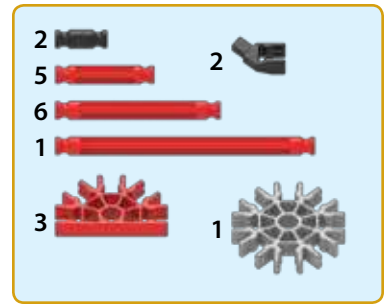


1 - 47

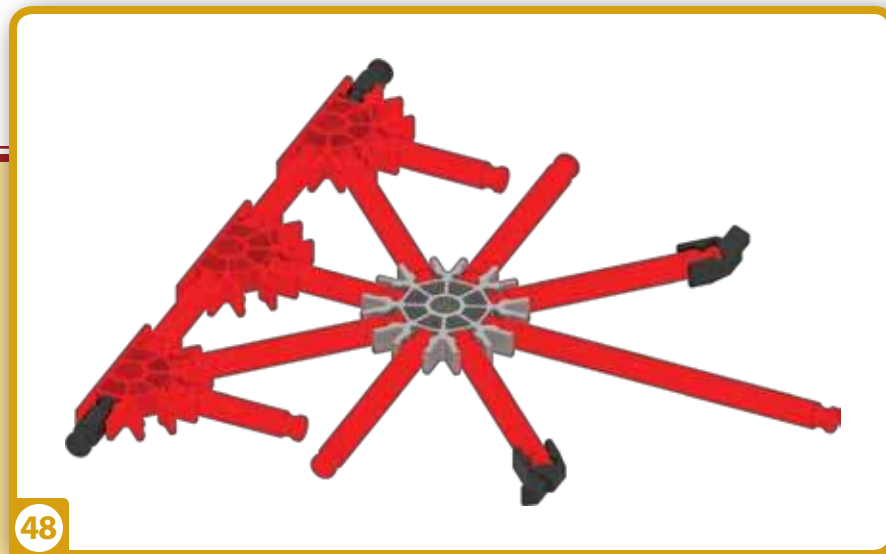
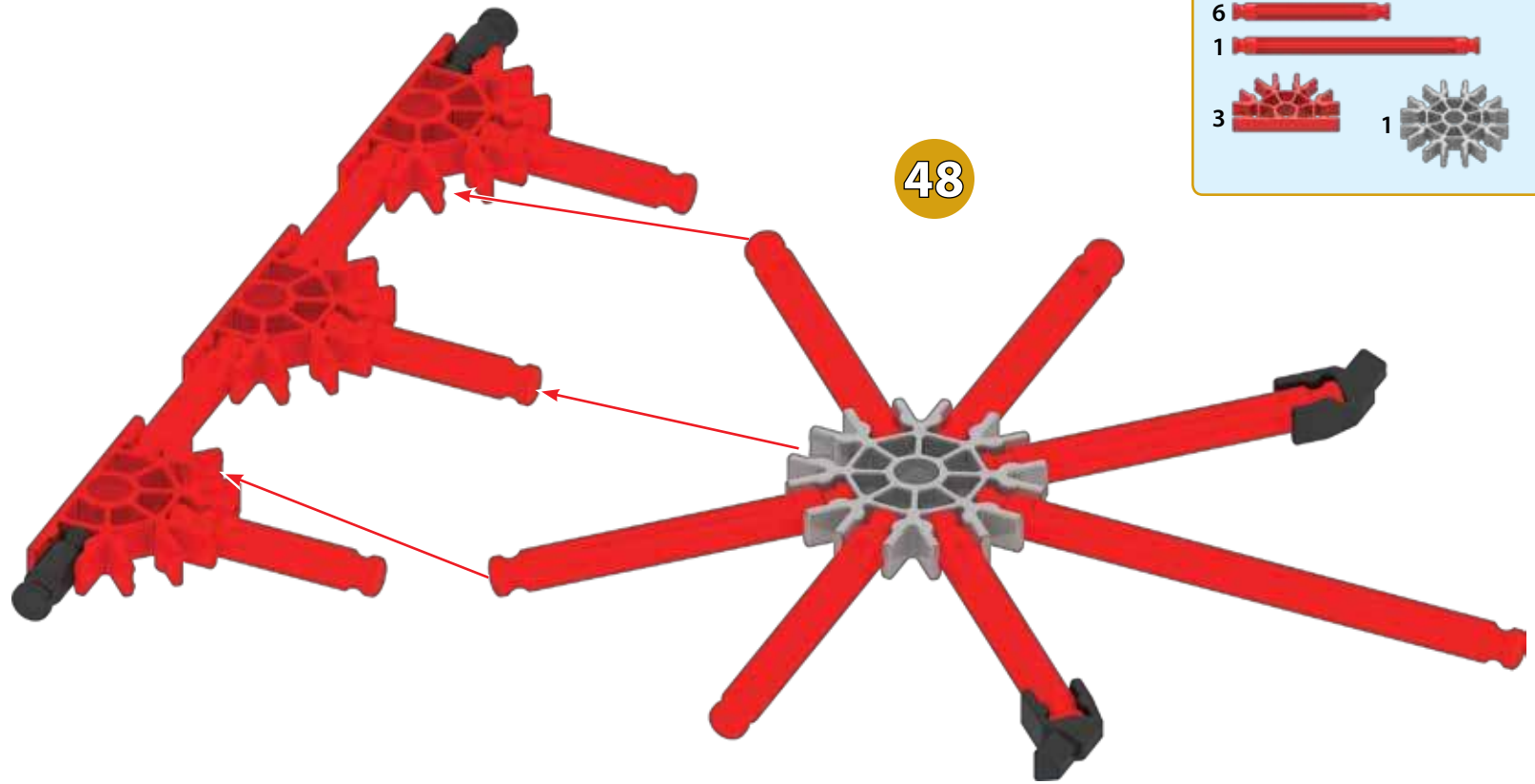
1 - 46

47

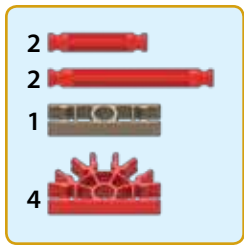
6	4
2	4
4	4



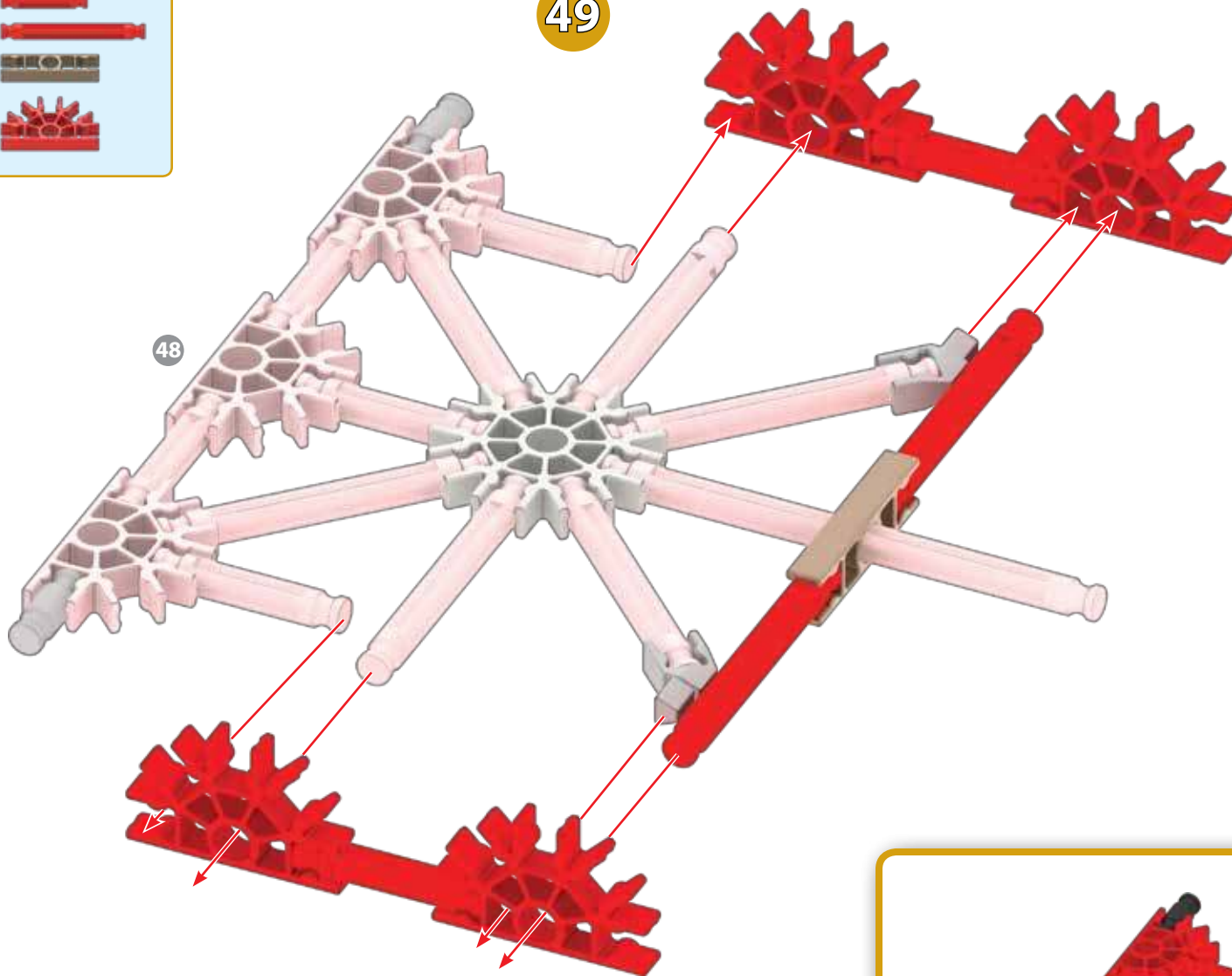
48



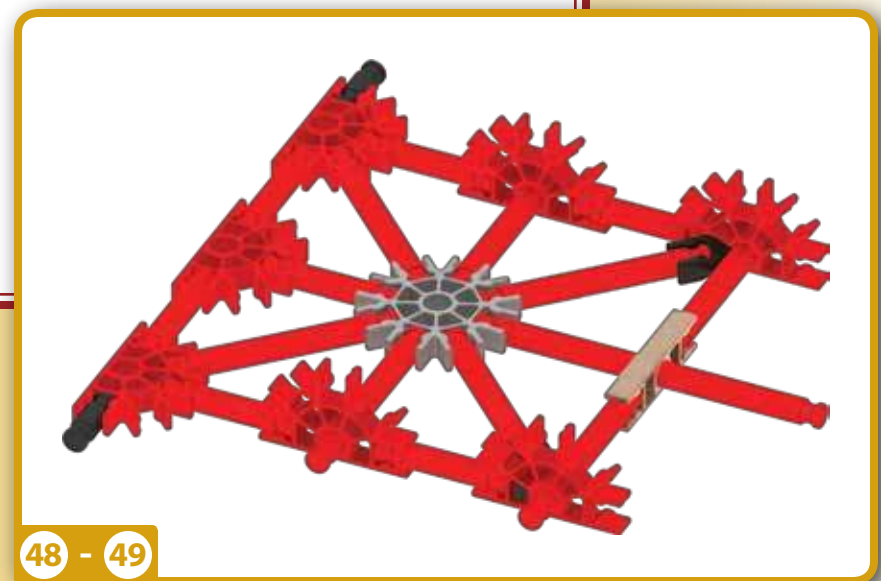
48



49



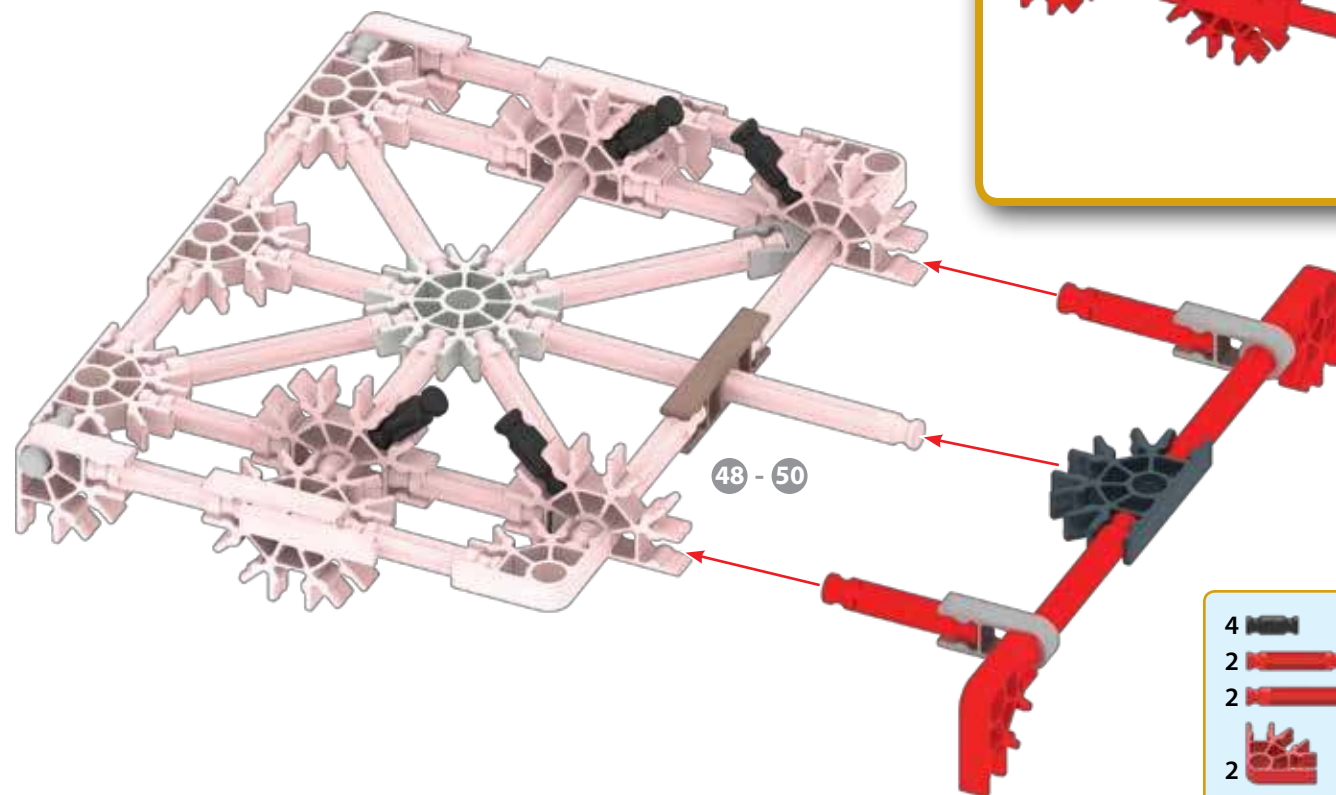
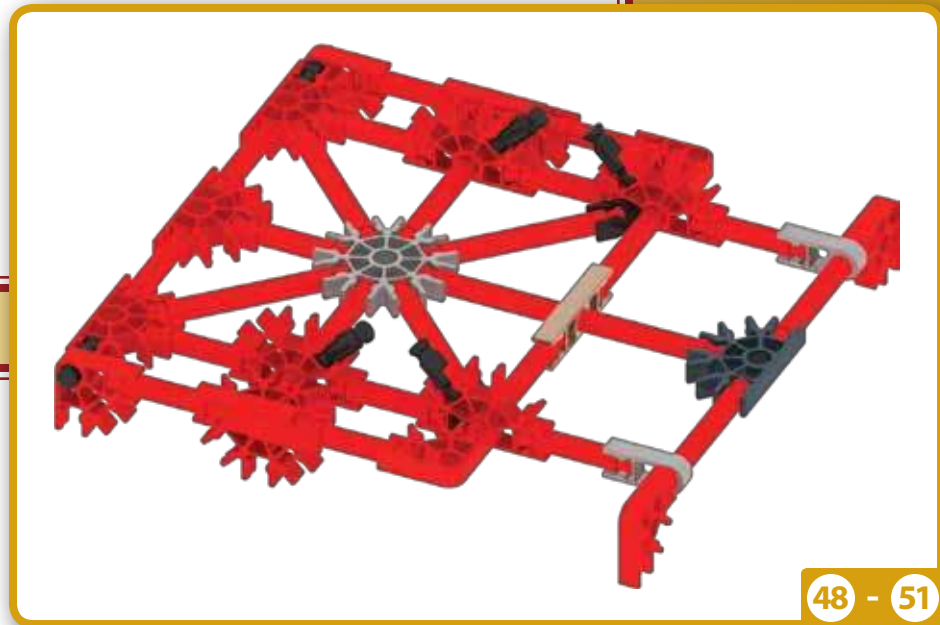
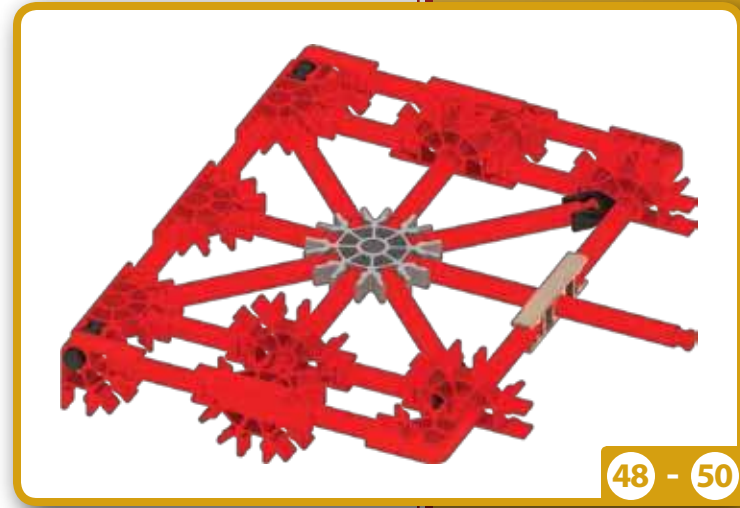
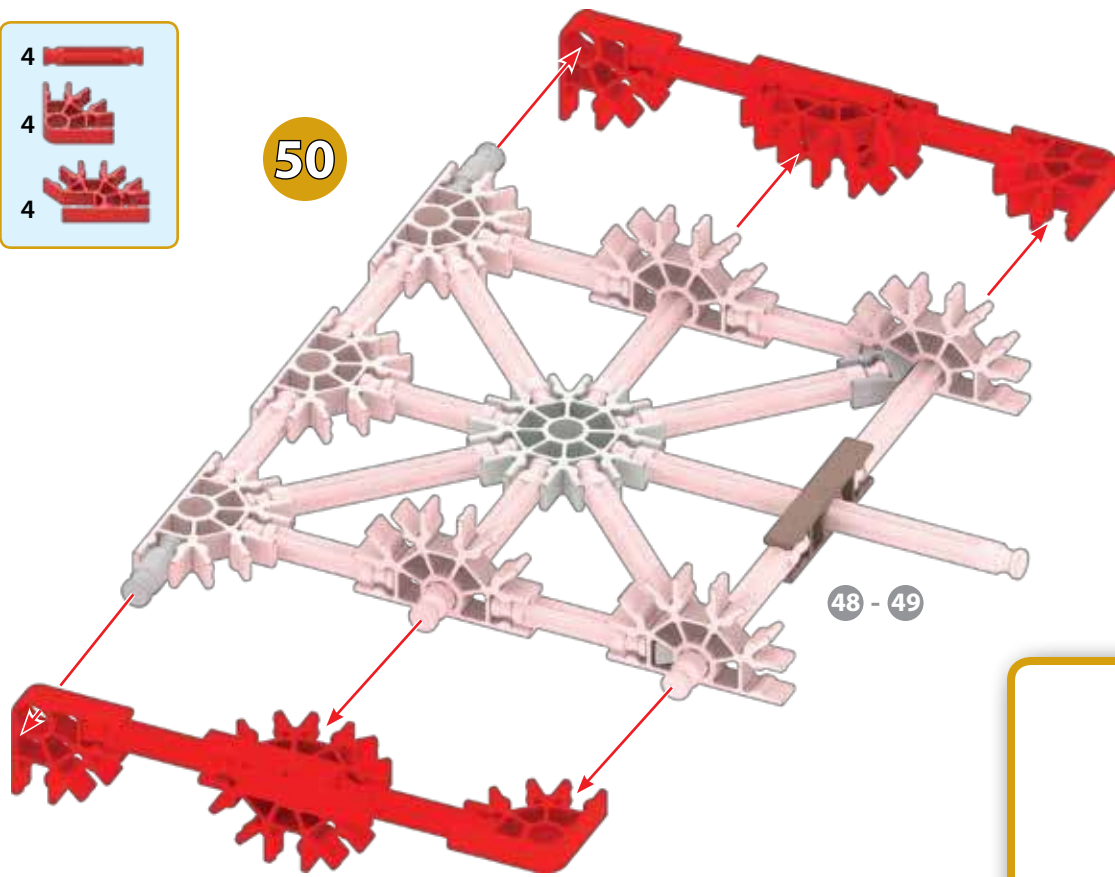
48



48 - 49

- 4
- 4
- 4

50



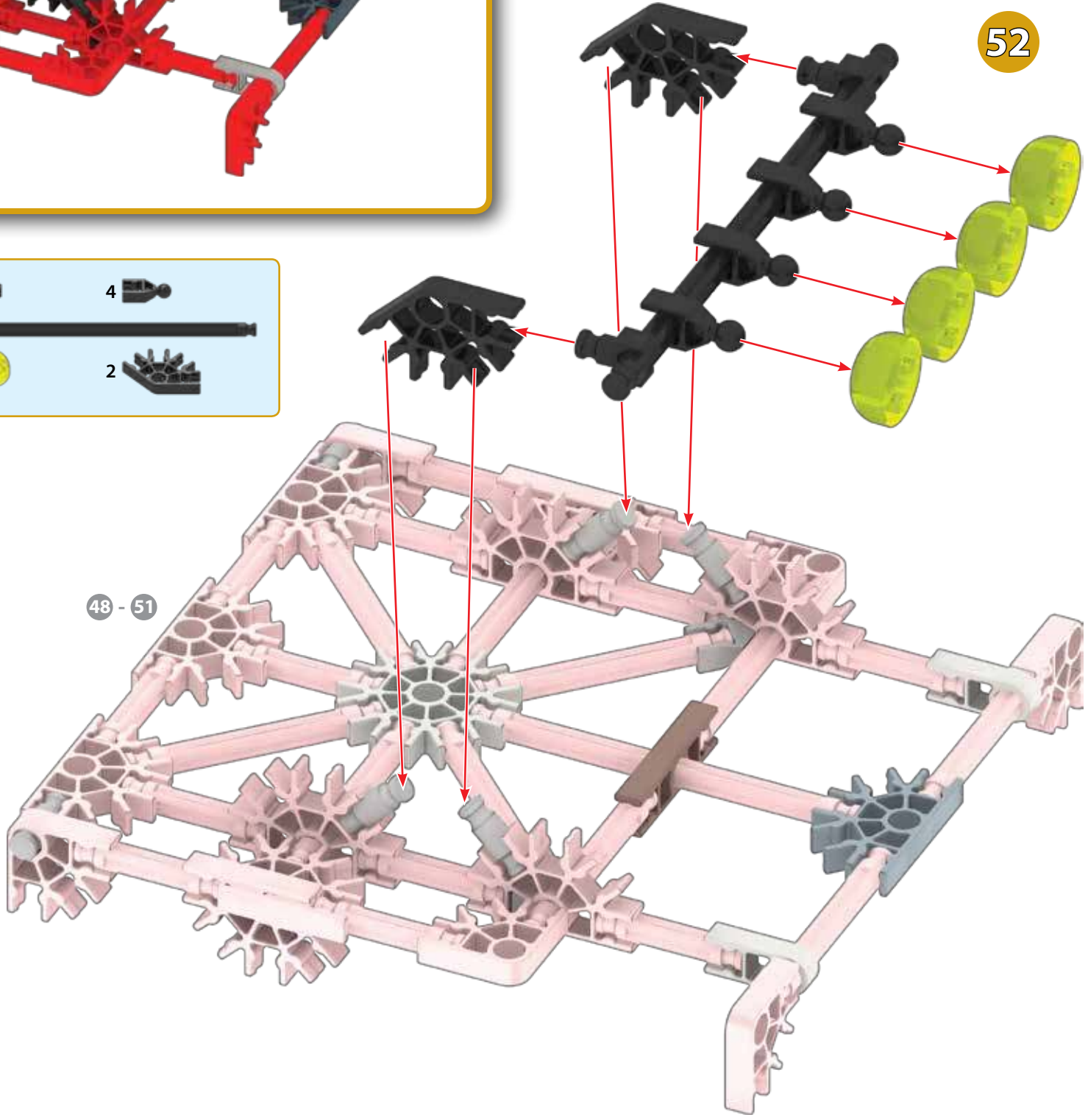
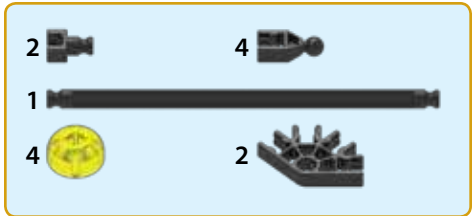
51

- |   |   |
|---|---|
| 4 | 2 |
| 2 |   |
| 2 |   |
| 2 | 1 |





48 - 52



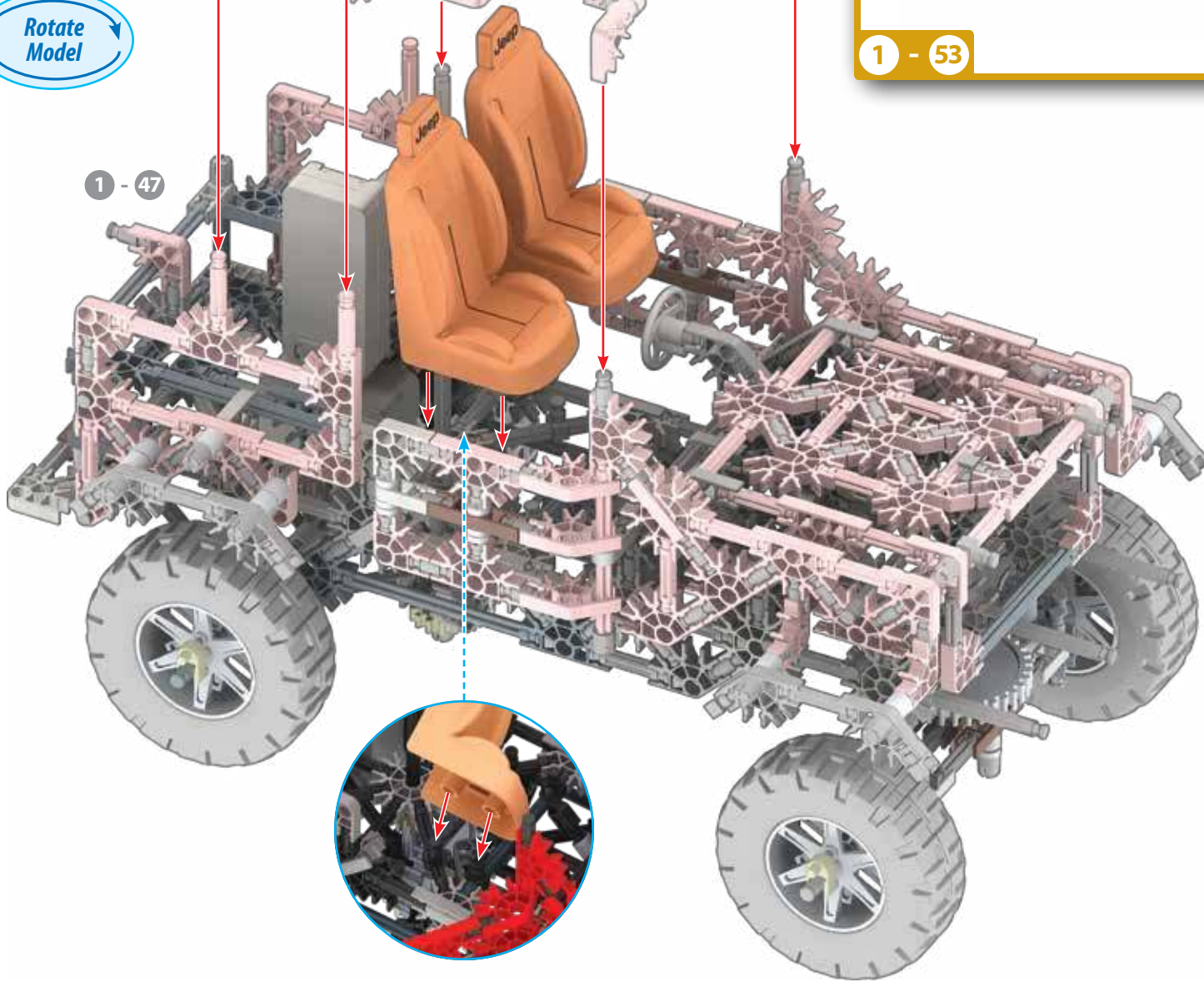


53

48 - 52

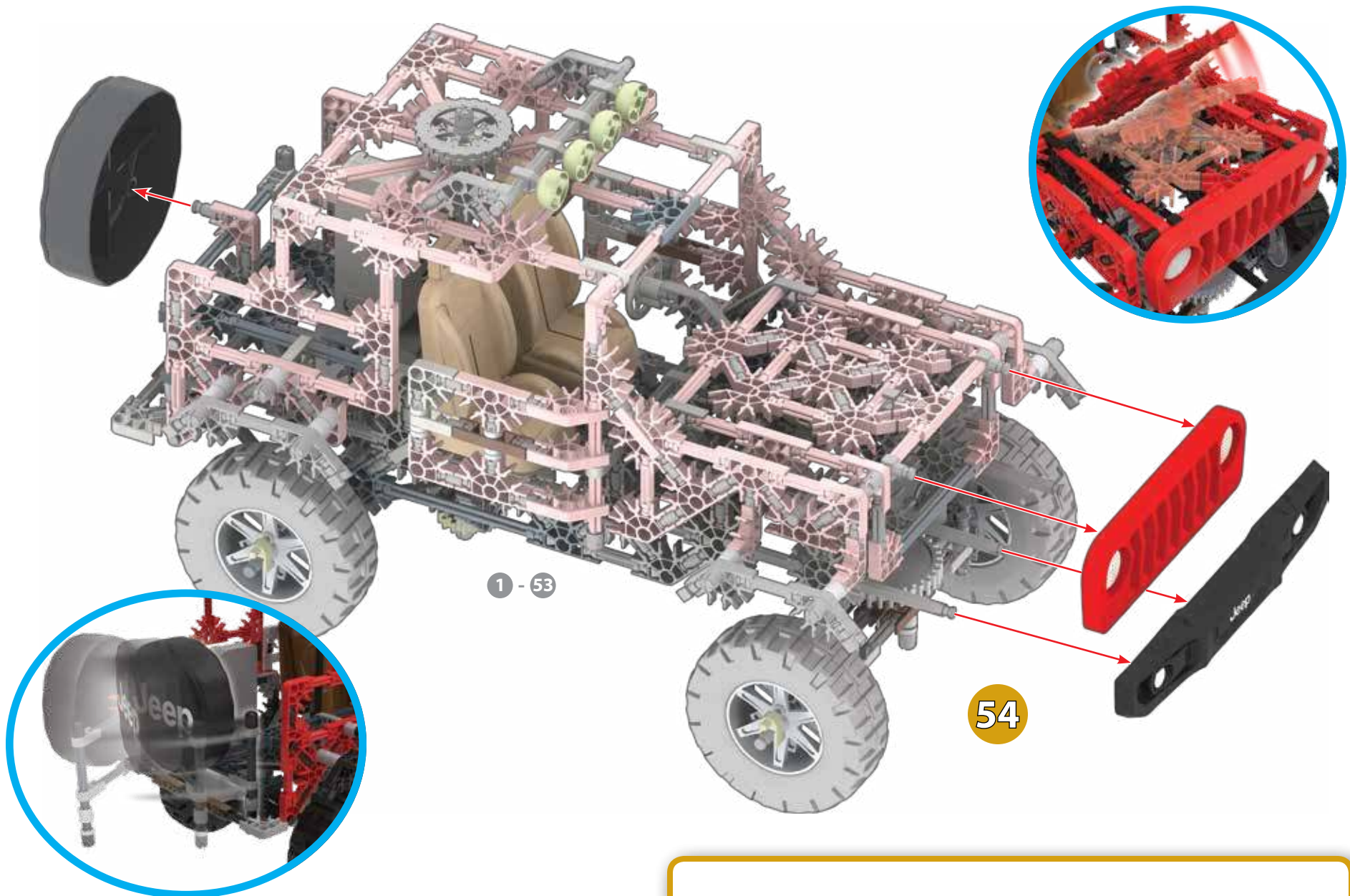
Rotate Model

1 - 47



1 - 53







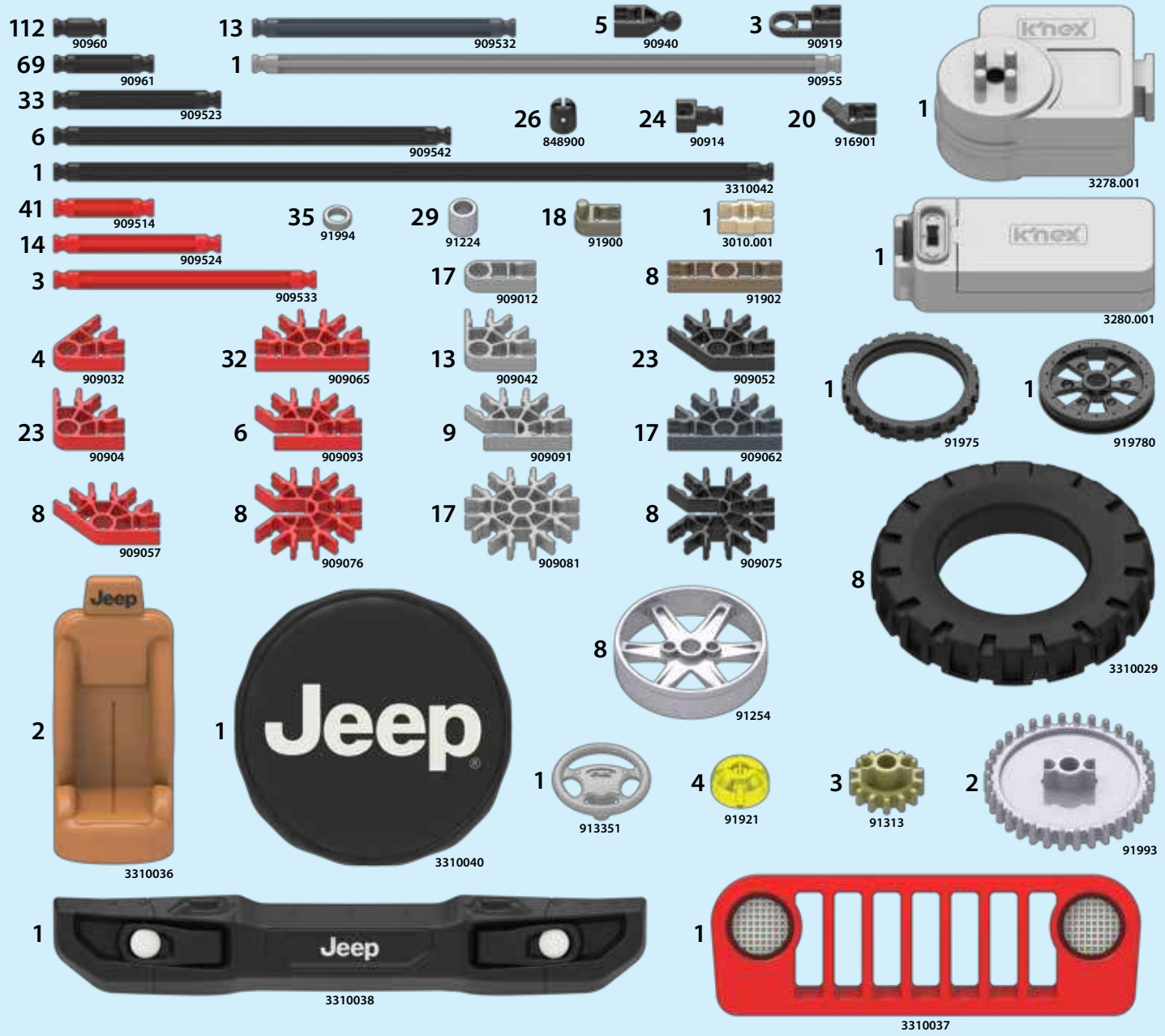
# Jeep® Wrangler

basicfun.com

facebook.com/knex  
@knex

## Parts List

If anything is missing, please visit [www.Basicfun.com](http://www.Basicfun.com) to contact us. We are here to help you!



2019 Basic Fun, Inc.  
301 Yamato Road, Suite 4200, Boca Raton FL 33431, USA.  
K'NEX is a registered trademark and the Basic Fun logo is a trademark of Basic Fun, Inc.  
Jeep, the Jeep Grille and related logos, vehicle model names and trade dress are trademarks of Chrysler Group LLC and used under license by Basic Fun, Inc. ©2019 Chrysler Group LLC.

Product & colors may vary.