

# HOME DUAL-USE CAR REFRIGERATOR

## ★ Instruction for users ★

### ★ Characteristics of our products:

Mini Thermoelectric Cooler and Warmer is popular with drivers and field operators in some developed countries in Europe, America and so on. It can bring you cool drinks in hot summer and warm food in winters with cold wind blowing. No matter in outdoor hiking traveling by car or in traffic jam, you can enjoy plenty of drinks and foods at a proper temperature.

This cooler and warmer may be carried on your back or in hand for its lightweight. Matching with AC or DC transformer attached, it can be used indoors, especially for students to store cool and hot drinks and foods in their own room. If it is placed in hotel, office or sitting room, its graceful design, beautiful appearance, luxury style and extraordinary applicable function, will bring you a sense of ease and comfort when you are holding a cup of cold drink in your hand after work.

It integrates dual functions of cooling and heating by employing semiconductor, without compressor or cryogen. It has advantages of being free from pollution, small volume, lightweight, portability, long service life and lowest power consumption.

### ★ Application.:

- for holding banquet beside the lake
- for picnics and on camping trips
- for taxi drivers

- In students' dormitory or dining hall
- in playground
- in the office or construction site

- for traveling by cars
- on yacht outing or go fishing
- in wagon, truck or traveling bus

- for storage of medicine at a low temperature
- for preservation of fresh milk and warm food
- for home bar

### ★ Work performance:

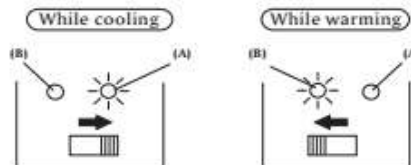
To obtain optimized cooling effect, we suggest putting in per-chilled foods and drinks. It will take 2 or 3 hours for cooling the unfrozen foods or drinks.

The cooler and warmer is not designed to heat cold food but to preserve hot foods at a warm temperature. If necessary, it can heat the foods with more than 2 hours.

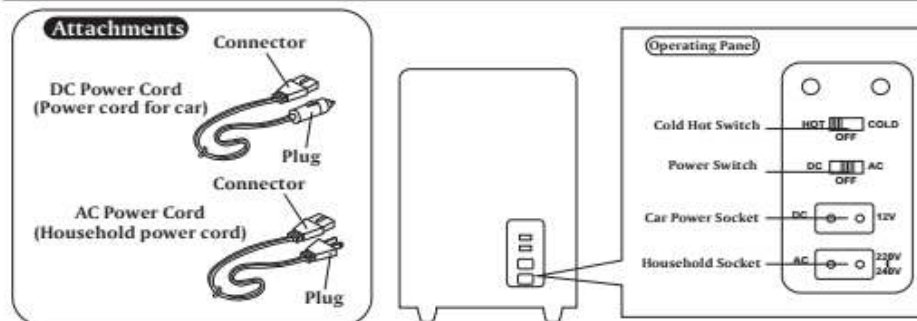
If it's applied properly following the direction, the temperature of foods can be kept for hours.

### ★ Operation Guide:

1. First make sure the switch at the side of the cooler and warmer is in OFF state, and then insert the plug of the power cord into the socket of the unit.
2. Insert the plug of the cigarette lighter into the cigarette lighter in the car.
3. Cooling: set the power switch at the position of COOLING. The green indicator will be on indicating the unit is in cooling mode.
4. Heating: set the switch at the position of HEATING. The red indicator will be on indicating the unit is in heating mode.

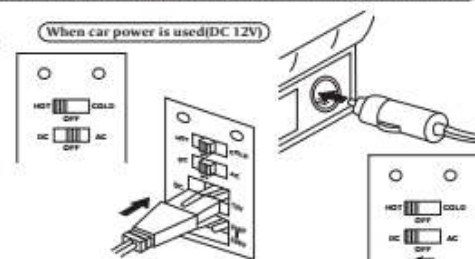


### ★ Attachment: the different use between outdoor and indoor: ★



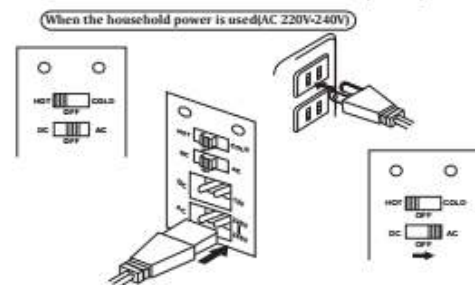
### ★ When car power is used (DC 12V, the appliance of products is subject to the types of cars)

1. The car engine is required.
2. The plug of DC power cord is the cord into the socket of the lighter in the car.
3. Insert the plug of DC power cord into the socket of the lighter in the car.
4. Shift the power switch to the DC side.



### ★ When the household power is used(AC 220V-240V)

1. Connect the connect of AC power cord (household power cord) with the household socket of the product.
2. Insert the power socket into the concentric plug.
3. Turn the power switch to the AC side.



### ★ WARNING AND NOTICE

FOR THE PROPER OPERATION, PLEASE READ THE BELOW-STATED CAREFULLY BEFORE USING THE APPLIANCE. MISUSE OF THE APPLIANCE WILL CAUSE THE DEATHS AND INJURIES OF PERSON AND THE APPLIANCE BROCKEN.

1. Prevent the fans from being stuck. The fans being stuck will heat the engine and cause fire. The towel, cloths and the like shall not be put on it.
2. Please confirm the sockets of the cords to be tight. The loose socket will result in the cords and sockets heating and broken, even fire.
3. Keep the appliance away from the flammable items and dampness to prevent the explosive and fire.
4. Don't break up or refit the appliance.
5. Don't switch the function of cool/warm abruptly. Switch the function after 30 minutes of being on OFF.
6. Don't rinse it with water.
7. Prevent the appliance from being upside down.
8. Please don't drop or shock it.
9. The appliance can be working for 10 hours at the most. Overtime operation will cause damages and breaks.