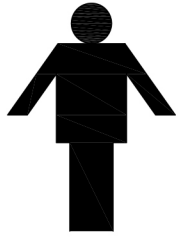
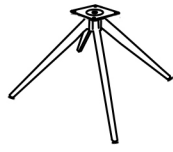


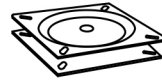
# ASSEMBLY INSTRUCTIONS



①. 1X



②. 1X



③. 1X



Ⓐ. M6x12  
4x



Ⓑ. M6x16  
2x



Ⓒ. M6x20  
2x



Ⓓ. M6  
4x



Ⓔ.  $\varnothing 16 \times 1.2$   
12x

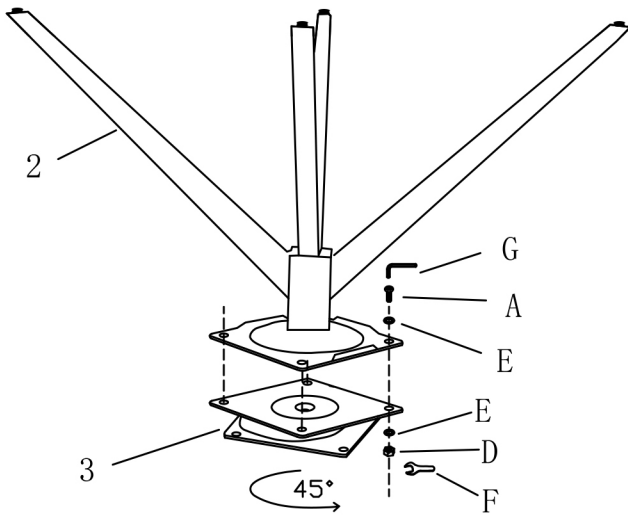


Ⓕ. M6  
1x

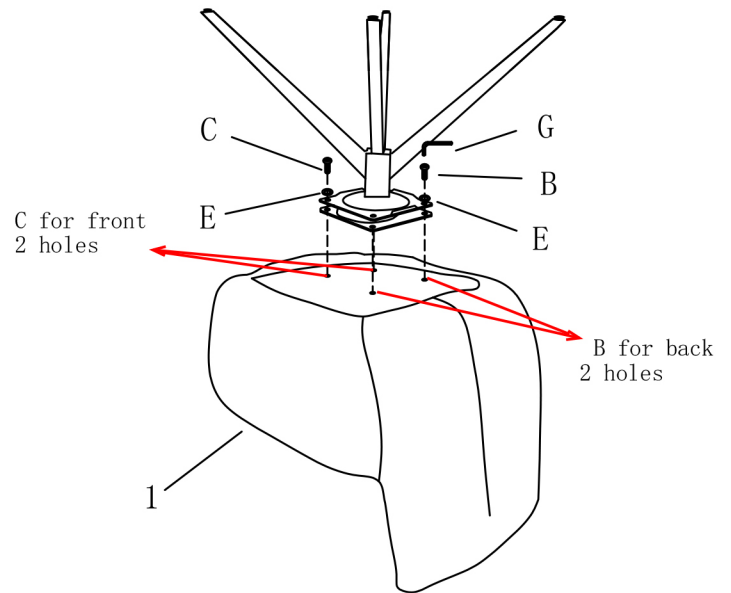


Ⓖ. 4.0\*59  
1x

1



2



3

