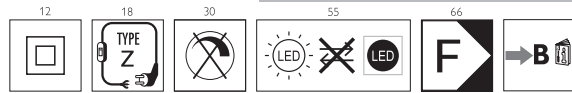


PHILIPS

DL264 LED
Recessed Downlight

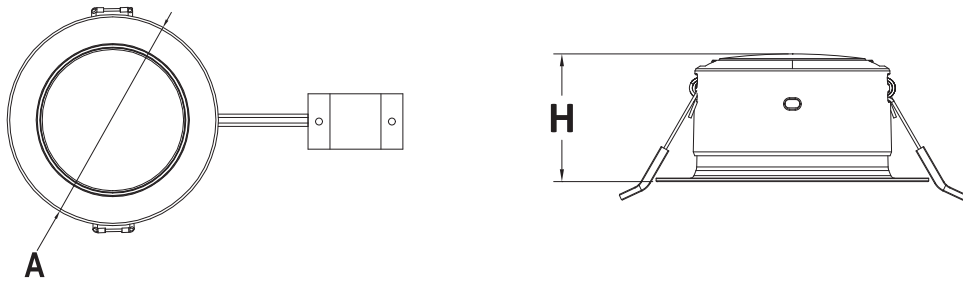
Mounting Instructions



Model Name	Product Description	CCT	Lum. Power	Total Lumen	kg	φ A(mm)	H(mm)	φ B Cut Out(mm)	VoL/Freq.
9290025682	DIAMOND CUT G2 DL264 RD075 3.5W30K WH	3000K	3.5W	300lm	0.083	95	49.5	68-80mm	220-240V~,50/60Hz
9290025683	DIAMOND CUT G2 DL264 RD075 3.5W40K WH	4000K	3.5W	315lm	0.083	95	49.5	68-80mm	220-240V~,50/60Hz
9290025685	DIAMOND CUT G2 DL264 RD075 3.5W30K SI	3000K	3.5W	300lm	0.083	95	49.5	68-80mm	220-240V~,50/60Hz
9290025691	DIAMOND CUT G2 DL264 RD090 4.5W30K WH	3000K	4.5W	400lm	0.099	105	49.5	80-90mm	220-240V~,50/60Hz
9290025692	DIAMOND CUT G2 DL264 RD090 4.5W40K WH	4000K	4.5W	420lm	0.099	105	49.5	80-90mm	220-240V~,50/60Hz

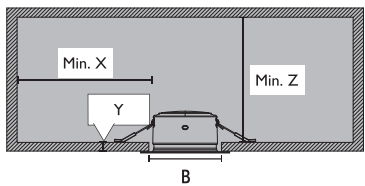
Dimensions

Unit: mm



Installation

1



Unit: mm

Model Name	B(mm)	X(mm)	Y(mm)	Z(mm)
9290025682	φ 68-80mm	50	0.8-20	50
9290025683	φ 68-80mm	50	0.8-20	50
9290025685	φ 68-80mm	50	0.8-20	50
9290025691	φ 80-90mm	50	0.8-20	50
9290025692	φ 80-90mm	50	0.8-20	50

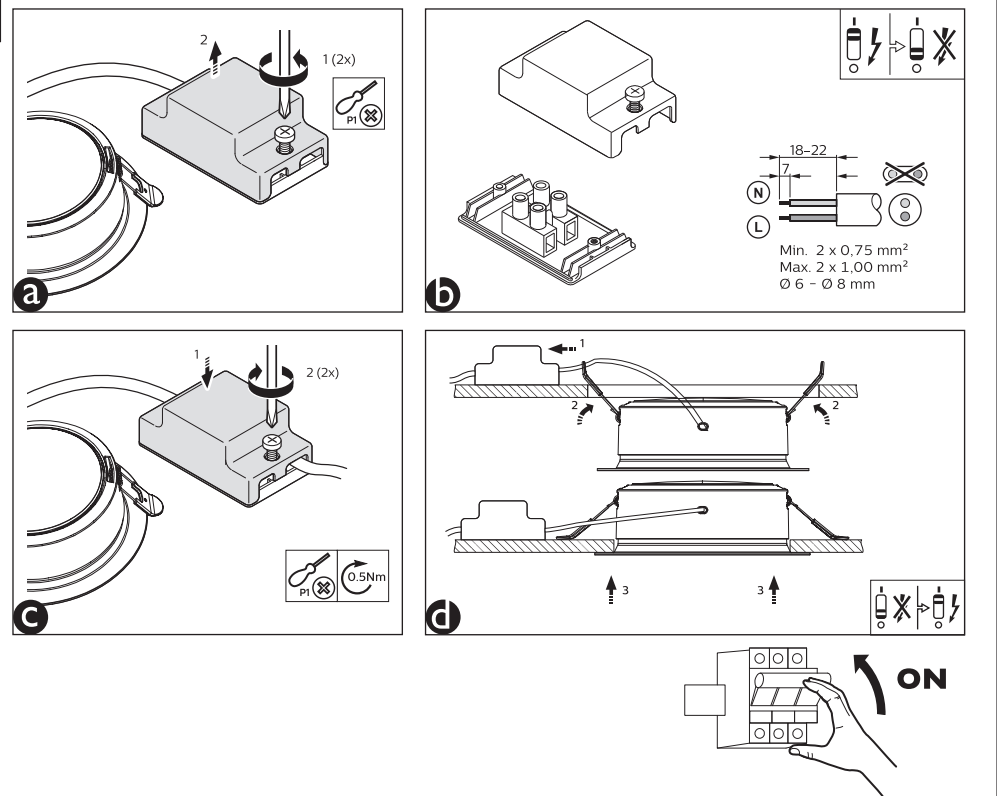
2



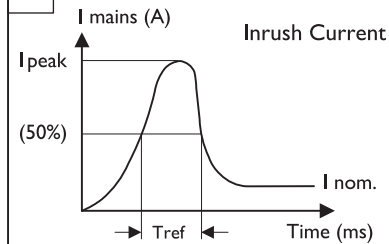
Connect the luminaire to the power supply cable with a terminal box (Installation must be performed by a qualified person).

Installation

3



4



	9290025682 9290025683 9290025685	9290025691 9290025692
Inom(Run current) (mA)	36	42
Ipeak (A)	5.5	5.5
Tref (ms)	0.14	0.14
AC Leakage Current (mA)	<0.7	<0.7
MCB (Type B 16A, pcs)	194	194
MCB (Type C 16A, pcs)	324	324

- Please read this manual before you start to install the luminaire.
- The luminaire is complied with IEC60598-1, IEC60598-2-2.
- The luminaire shall be installed by a qualified electrician according to specified step, and wired in accordance with the latest IEE electrical regulations or the national requirements.
- TURN OFF the power during installation or maintenance to avoid electrical shock.
- Luminaire must not be used or stored in corrosive environment where hazardous materials such as Sulphur, Chlorine, Phthalates, etc., are present.

This marking indicates that this product should not be disposed with other household wastes throughout the EU. To prevent possible harm to the environment or human health from uncontrolled waste disposal, recycle it responsibly to promote the sustainable reuse of material resources. To return your used device, please use the return and collection systems or contact the retailer where the product was purchased. They can take this product for environmental safe recycling.

Philips and the Philips Shield Emblem are registered trademarks of Koninklijke Philips N.V. and are used under license



Signify I.B.R.S. / C.C.R.I. Numéro 10461
5600 VB Eindhoven, the Netherlands
000800-74454775

Signify Commercial UK Limited
Unit 3, Guildford Business Park,
Guildford, Surrey, GU2 8XG, UK

3241 659 2831 I
© 2022 Signify Holding
@ignify