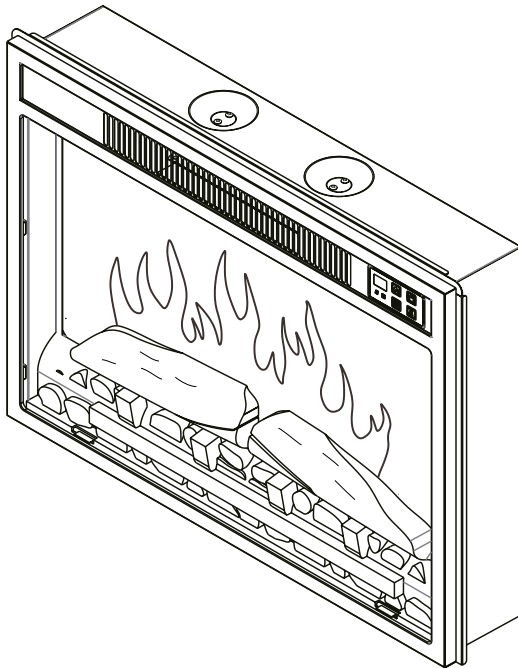


# ELEKTROKAMIN

BEDIENUNGSANLEITUNG

EF447A




**ELECTRIC FIRE**  
**CAMINETTO ELETTRICO**  
**FOYER ÉLECTRIQUE**  
**CHIMENEA ELÉCTRICA**  
**KOMINEK ELEKTRYCZNY**  
**ΗΛΕΚΤΡΙΚΟ ΤΖΑΚΙ**

**INSTRUCTION MANUAL**  
**ISTRUZIONI PER L'USO**  
**INSTRUCTIONS D'UTILISATION**  
**INSTRUCCIONES DE OPERACIÓN**  
**INSTRUKCJA OBSŁUGI**  
**ΓΟΔΗΓΙΕΣ ΧΡΗΣΗΣ**

**DE | EN | IT | FR | ES | PL | EL**

## IMPORTANT SAFETY INFORMATION

- Read all of the instructions before using this appliance.
- For indoor use only. This appliance is not suitable for use outside the house and only suitable for well insulated spaces or occasional use.
- **DO NOT** use this appliance in the immediate surroundings of a bath, a shower or a swimming pool.
- **DO NOT** use this fire as a free-standing appliance. It must always be fixed to the fireplace mantel listed in this manual.
- This fire must not be located immediately below a socket-outlet.
- The heater shall not be located in front of socket-outlet.
- This appliance must be earthed.
- This appliance must not be supplied through an external switching device, such as a timer, or connected to the circuit that is regularly switched on and off by utility in order to avoid a hazard due to the inadvertent resetting of the thermal cut out.
- If the mains cable is damaged, it must be repaired by the manufacturer, its authorised service centre or a specialist.
- The mean of figure  in marking is “**DO NOT COVER**”

**WARNING!** In order to avoid overheating, do not allow the appliance to be covered or let the air inlet / outlet become obstructed.

- To reduce the risk of fire, keep textiles, curtains, or any other flammable material a minimum distance of 1 metre from the air outlet.
- Keep the power cord away from hot surfaces and hot conditions.  
**DO NOT** route the power lead in front of the appliance.
- **DO NOT** use this fire in rooms that have explosive fumes in them (for example petrol), or if you are using solvents, glue, aerosol spray or in flammable paints, as these may catch fire.
- This appliance can be used by children aged from 8 years and above and persons with reduced physical, sensory or mental capabilities or lack of experience and knowledge if they have been given supervision or instruction concerning use of the appliance in a safe way and understand the hazards involved.
- Children and vulnerable people must be supervised at all times when using this appliance, as some parts can become very hot and cause burns.
- **DO NOT** use this appliance in small rooms when they are occupied by persons not capable of leaving the room on their own, unless constant supervision is provided.
- Children aged between 3 and 8 years old should only switch on/off the

appliance provided that it has been placed or installed in its intended normal operating position and instructions and supervision concerning the safe usage of the appliance are given.

- Cleaning and user maintenance shall not be made by children without supervision.
- This appliance shall not be played with by children.
- Children of less than 3 years should be kept away unless continuously supervised.
- Keep the power plug accessible after installation.
- **DO NOT** use if there are visible signs of damage to the appliance.

## TECHNICAL SPECIFICATIONS

### MODELL-NR.: EF447A

Supply Voltage: AC 230-240V 50Hz

Maximum power consumption: 2 kW/h

Power for flame effect and fuel bed effect: 4.8 W/h

### HEAT OUTPUT:

Nominal heat output (P<sub>nom</sub>): 2 KW

Minimum heat output(indicative) (P<sub>min</sub>): 2 KW

Maximum continuous heat output (P<sub>max</sub>): 2 KW

### AUXILIARY ELECTRICITY CONSUMPTION:

At nominal heat output (el<sub>max</sub>): 15.5 W/h

At minimum heat output (el<sub>min</sub>): 15.5 W/h

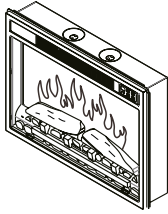
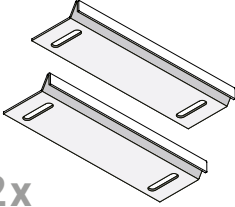

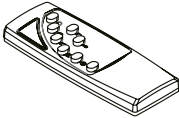
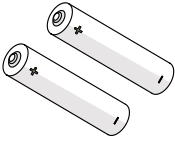

In standby mode (el<sub>SB</sub>): 1.2 W/h

TYPE OF HEAT OUTPUT / ROOM TEMPERATURE CONTROL	
Single stage heat output and no room temperature control	No
Two or more manual stages, no room temperature control	No
With mechanic thermostat room temperature control	No
With electronic room temperature control	Yes
Electronic room temperature control plus day timer	Yes
Electronic room temperature control plus week timer	Yes
OTHER CONTROL OPTIONS	
Room temperature control, with presence detection	No
Room temperature control, with open window detection	Yes
With distance control option	No
With adaptive start control	Yes
With working time limitation	No
With black bulb sensor	No

CONTROL BOARD	REMOTE CONTROL RECEIVER	REMOTE CONTROL TRANSMITTER
<b>HARDWARE:</b> RC01-075A <b>SOFTWARE:</b> RC01-075A01	<b>HARDWARE:</b> IRM-2638T	<b>MAXIMUM TRANSMIT CURRENT:</b> 20mA <b>SOFTWARE:</b> RCS27A01

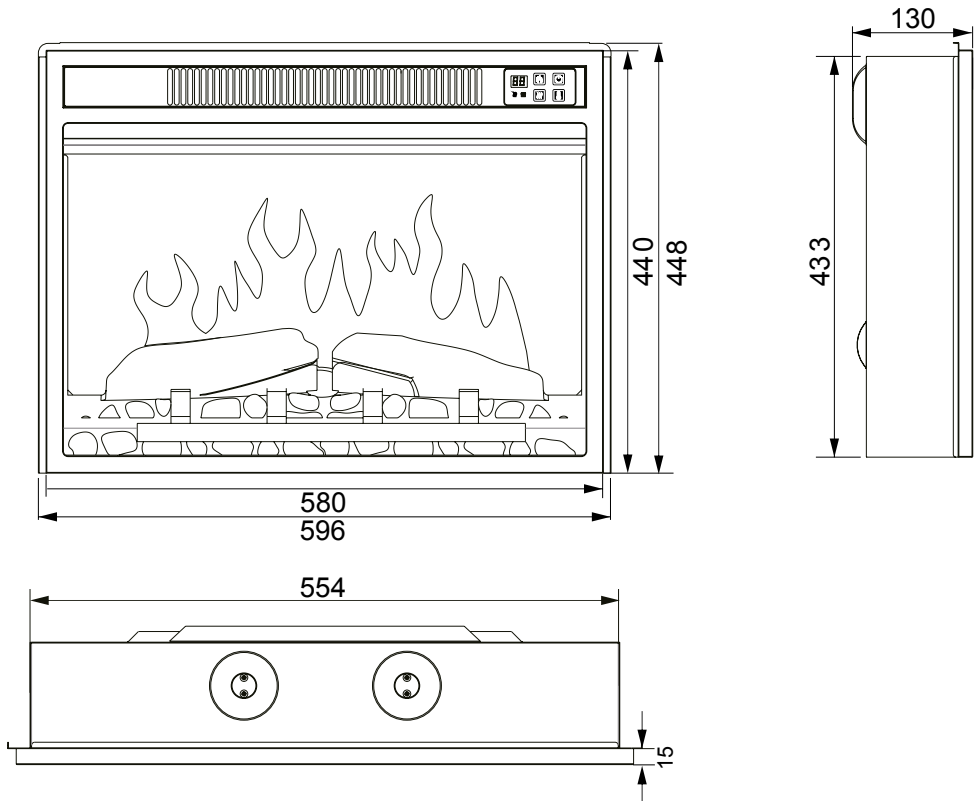
## PARTS AND HARDWARE

- Unpacking the fire carefully, make sure that the appliance is intact with no signs of damage caused by transport and no part has been exposed to water. If in doubt, do not use the appliance and contact an authorised service centre.
- Keep plastic wrapping away from children.
- Save the original packaging as this may be required in the event of service complaint with product.
- Check that all parts are removed from the packing.

 <p><b>1x</b></p>	 <p><b>2x</b></p>	 <p><b>4x</b></p>
<p>Fireplace unit</p>	<p>Holder</p>	<p>ST3.5 x 12 Screws</p>
 <p><b>1x</b></p>	 <p><b>2x</b></p>	 <p><b>1x</b></p>
<p>Remote handset</p>	<p>AAA batteries</p>	<p>Instruction manual</p>

# APPLIANCE DIMENSIONS

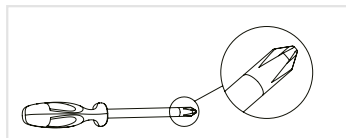
UNIT: mm



# 1. INSTALLATION INSTRUCTIONS

## TOOLS REQUIRED:

A screwdriver will be needed.



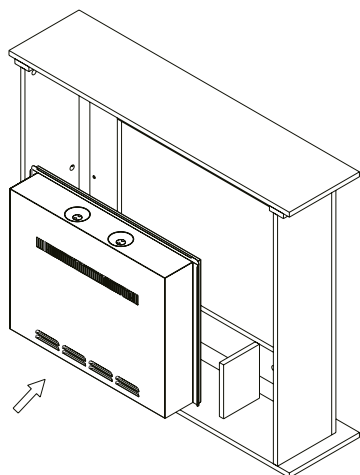
## SETTING UP THE APPLIANCE

Your new electric fireplace may be installed virtually anywhere in your home. However, when choosing a location ensure that the general instructions are followed.

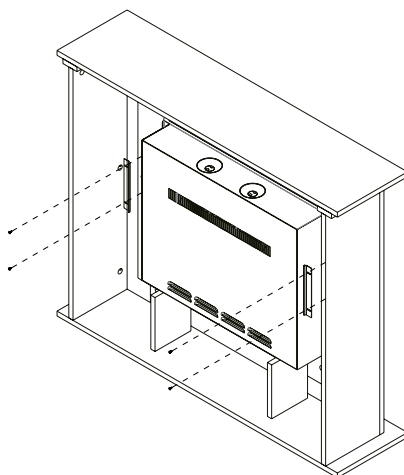
- For best results, install out of direct sunlight.
- The appliance should be connected to an earthed electrical outlet and it must be easily accessible to allow disconnection.

## 2. INSTALLATION

- Install the insert from the back of the mantel.
- Use 4 pcs ST3.5 x 12 screws to fix the fixing brackets on both sides on the mantel.



BACKSIDE OF THE MANTEL



USE 4 PCS ST3.5 X 12 SCREWS

**NOTE:** This fireplace should be fixed to mantelpiece MT447A or MT447B. Follow the installa on instruction packed with the mantel for more details.

# OPERATING INSTRUCTION

## 1. GENERAL

**WARNING!** Do not operate the appliance if it is damaged or has malfunctioned. If you suspect the appliance is damaged or has malfunctioned call a qualified service engineer to inspect the appliance, and replace any part of the electrical system if necessary, before reuse.

**WARNING!** To reduce the risk of fire, keep textiles, curtains, or any other flammable material a minimum distance of 1 meter from the air outlet.

- **MAKE SURE** the plug fits tight in the outlet. Faulty wall outlet connections or loose plugs can cause the outlet to overheat.
- **DO NOT** disconnect the power at the mains supply whilst the appliance is running. Use the functions on the remote to turn the fire off and ensure the mains switch has been moved to the off position before disconnecting.

### PREPARATION BEFORE USE

- The appliance can be operated by both remote control and the manual controls on the appliance.  
See chapter: Manual operation

**NOTE:** To use both remote and manual functions the manual on / off switch must be in 'ON' position. In order to prevent the product becoming too hot, there is a 10s delay when turning on the heater and a 10s delay when turning off the heater fan.

### BATTERIES

- Ensure that the handset batteries are new and inserted correctly.

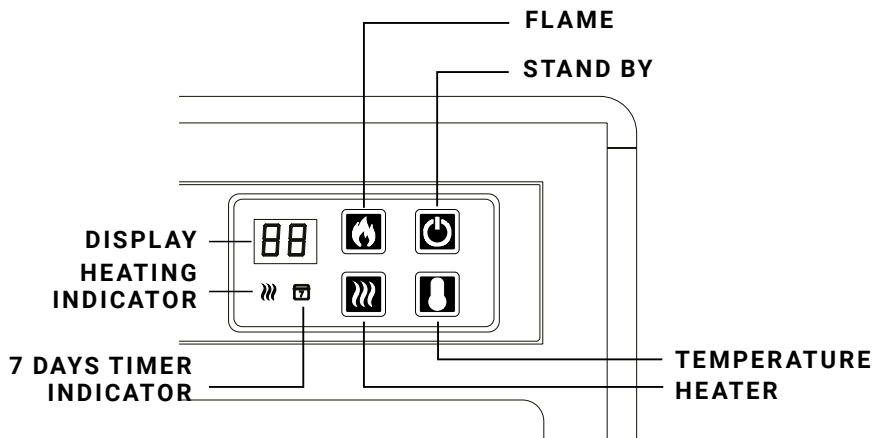
### MAIN POWER SWITCH

- The mains power switch is located on the control panel located on the righthand side of the heater box.
- Switch ON (–) before operating either the remote or manual controls.
- A long beep is heard to indicate the fire is ready for use.

## 2. MANUAL CONTROL PANEL

### NOTE:

- The manual button controls basic functions, not a full range of controls. Use the remote handset to carry out all functions.



**STAND BY:** Press to turn on or turn off the flame effects and heater.

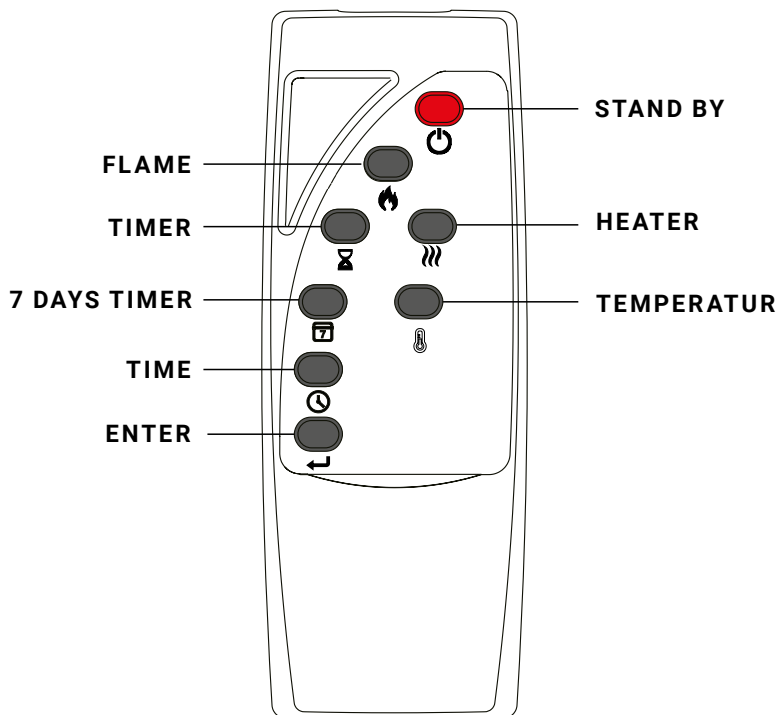
**FLAME:** Repeatedly press to cycle through 3 flame effects.








**HEATER:** Press to turn on/off the heater.

**TEMPERATURE:** Repeatedly press to select the temperature you want the room to reach from the range of 16-28°C (60-82°F) and then 8°C (99°F), which will keep the heater on. Hold the button to switch between °C/°F.



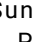
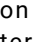
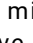




### 3. REMOTE CONTROL




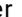






BUTTON	TITLE	FUNCTION	FIREPLACE RESPONSE
	<b>STAND BY</b>	Press to turn on /off the flame effects and heater.	The flame runs. The current flame setting L1, L2, L3 shows on the display.
	<b>FLAME</b>	Repeatedly press to cycle through 3 flame effects.	The flame runs. The current flame setting L1, L2, L3 shows on the display.
	<b>TIMER</b>	Repeatedly press to cycle through timer options. Select an amount of time for the appliance to operate, and then automatically turn off. Choose between 0.5, 1, 2, 3, 4, 5, 6, 7, 8, 9 hours.	The number 30, 1H, 2H, 3H, 4H, 5H, 6H, 7H, 8H, 9H, 0H shows on the display.
	<b>HEATER</b>	Press to turn on/off the heater. The heater can be run independently.	The temperature shows on the display and the heater indicator will turn off after 10 seconds if the flame effect is on.
	<b>TEMPERATUR</b>	Press to select the temperature you want the room to reach from the range of 16-28°C (60- 82°C)and then 58°C (99°C), which will keep the heater on. Hold the button to switch the unit between °C/°F.	The display of the appliance shows the temperature 16-28 in Celsius degree corresponds to 60-82 in Fahrenheit degree. There will be changes in number while switching between °C/°F.
	<b>TIME</b>	Press to set up the heating start and end time.	The number shows on the display.
	<b>7 DAYS TIMER</b>	Press to turn on or off the 7 days timer for heater.	7 days timer and heater indicators are both on.

## SET UP CURRENT DAY AND TIME

Hold time button  on the remote to enter date and time setting mode; Repeatedly press time button  to select date, D1-D7 will show on the display which represents Monday-Sunday. Press button  to confirm, and then automatically enter hour setting. Press button  to set the hour, and press button  to save and then automatically enter minute setting. Press button  again to set minute and then press to  save.

## SET UP THE 7 DAYS TIMER

- Hold the button  on the remote until the 7 days timer indicator on the firebox flashes to enter 7 days timer setting mode.
- D1 (Monday) will show on the display and then press  to confirm; then 00 will show on the display. Press button  to set the time for turning on the heater and then press  to confirm; The 00 will show on the display, press  to set the time for turning off the heater and then press  to confirm. PLEASE NOTE: There is only one period each day for heating on and off.
- Repeat the steps above to set the timer for D2 to D7 (Tuesday to Sunday). The display on fire will show the time for turning on and off the heater as same as the time of last day. If you want to change the time, press the button .
- If you don't want to set for a certain day, just set both start and end time as 00.
- Hold 7 days timer button  to save all settings after you finish the setting for Sunday. The indicator will stop to flash.
- The weekly timer will be set only when you finish the setting from Monday to Sunday completely. During the setting process, the pause of more than 20 seconds will terminate the entire weekly timer setting.

## OPEN WINDOW DETECTION

If the sensor detects a rapid drop in room temperature, this is interpreted as an open window. A warning symbol (OPn) is displayed and the heater is automatically switched off. After the indoor temperature has risen or a manual override of the warning has been made (by operating control panel or remote control or heat button on APP), the unit returns to normal operation.

## CUSTOMISED START-UP CONTROL

Depending on the room temperature and the target temperature, the heater switches on automatically to heat the room to the set temperature at the set time. For example, if your timer is set to 6:00 p.m. and the temperature is set to 23 °C, the heater will switch on at 5:30 p.m. to ensure that the room is 23 °C at 6:00 p.m.

## **IMPORTANT SAFETY INFORMATION FOR BATTERY**

1. Two AAA battery are required for the remote control;
2. Use the thumb press and push the bar figure on the back cover down simultaneously, then take out the cover and remove the battery or insert the battery, after this place the cover back on the rear of the remote;
3. This AAA battery (non-recharged) is not to be recharged;
4. Different types of batteries or new and used batteries are not to be mixed;
5. Battery is to be inserted with the correct polarity;
6. Exhausted batteries are to be removed from the appliance and safely disposed of;
7. If the remote control is to be stored unused for a long period, the battery should be removed;
8. The supply terminals are not to be short-circuited.

## **RESETTING THE THERMAL CUT OUT**

The appliance is fitted with an Electronic Safety Control (E.S.). This is a safety device, which switches off the fire if, for any reason, the appliance overheats, e.g. when covered. If the heater stops operating while the flame effect continues working normally, this indicates that the E.S. Control is in operation. The E.S. Control can only be re-set after the appliance has cooled down, and the appliance has been reset. Re-setting of the E.S. Control proceeds is as follows:

1. Press button STAND BY on fireplace to turn off the appliance and leave it off for approximately 10 – 15 minutes.
2. Remove any obstruction to the fan heater outlet or fan blades etc. Make sure that the power supply is disconnected with the plug socket outlet while doing this.
3. Switch on the appliance and the E.S. Control will be re-set.
4. Ensure that the appliance is functioning correctly. If the E.S. Control doesn't operate again, the appliance should be checked by a competent electrician.

# MAINTENANCE

**WARNING!** Before any maintenance or cleaning of the exterior of the fireplace, the unit should be disconnected from the power supply until it is cool off.

## REMOTE HANDSET BATTERY REPLACEMENT

Replace with two AAA batteries. Make sure the batteries are installed correctly in the remote control.

## MAINTENANCE OF MOTORS

The motors used on the fan and flame effect are pre-lubricated for extended bearing life and require no further lubrication. However, periodic cleaning / vacuuming of the fan / heater unit is recommended.

## CLEANING THE FIREPLACE

You can clean the exterior of the fireplace with a soft, damp, lint-free cloth. Do not use cleaning or polishing products. To remove fingerprints or other marks on the front glass panel, use a soft, damp, lint-free cloth with a good quality household glass cleaner. The front glass panel should always be completely dried with a clean, lint-free cloth or paper towel.

**WARNING!** Abrasive cleaners should not be used on the glass panel. Liquids should not be sprayed directly onto any surface of the unit.