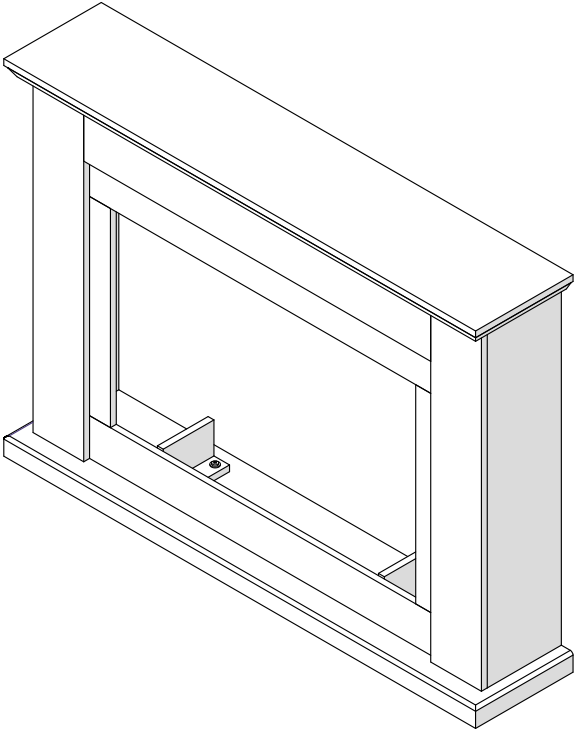


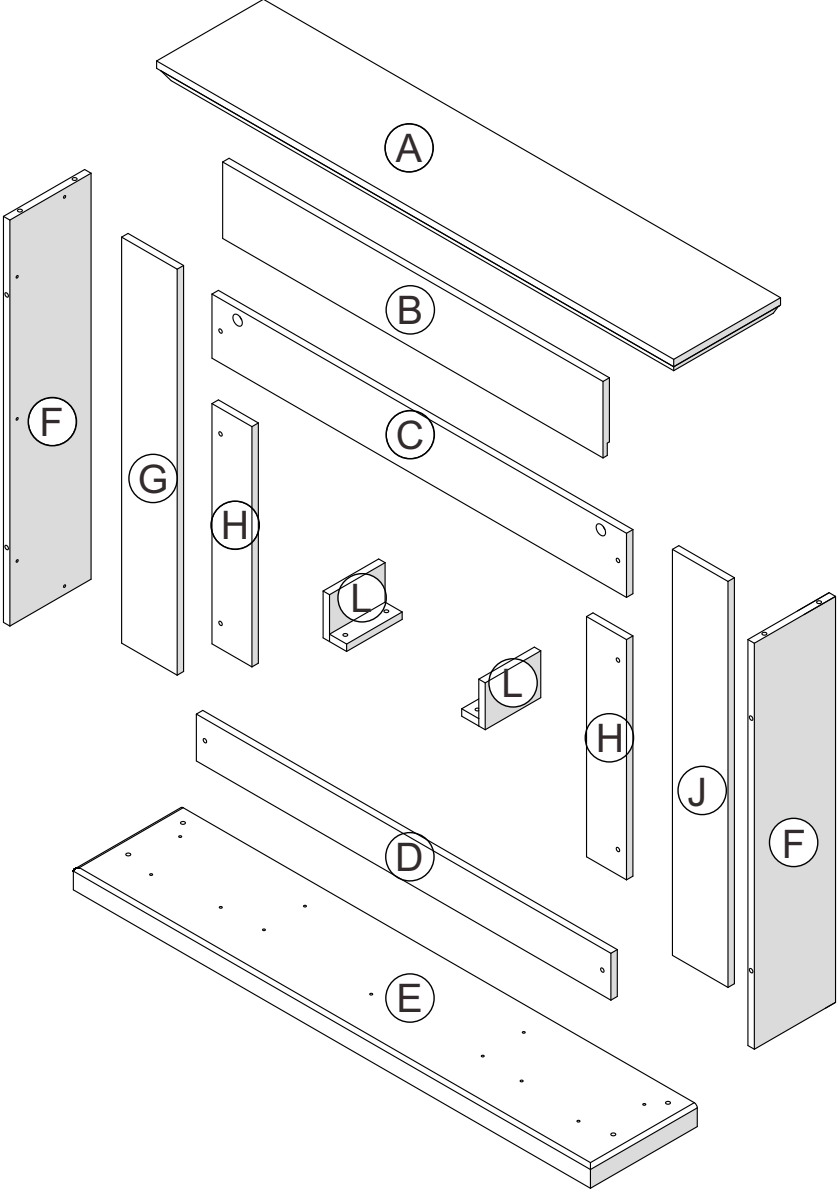
FIREPLACE MANTEL

ASSEMBLY INSTRUCTIONS

MT376B



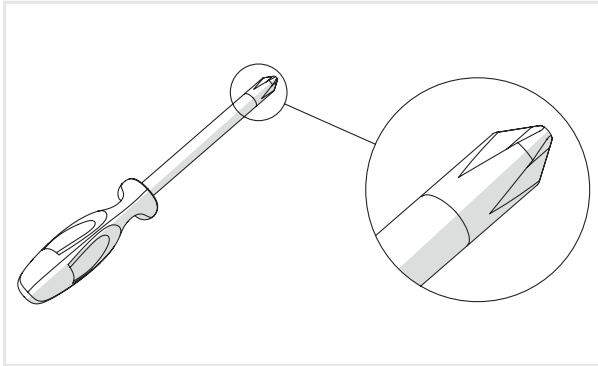
PARTS LIST


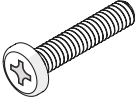
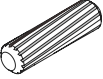
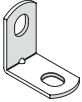
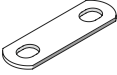




PARTS AND ACCESSORIES

Tools required:

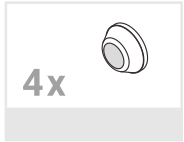
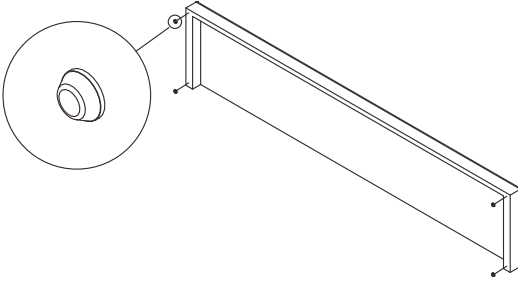
A screwdriver will be needed.



MT376B	 45 x M6x12mm	 13 x M6x28mm	 13 x ø 8x30mm
 21 x	 3 x	 6 x	 13 x

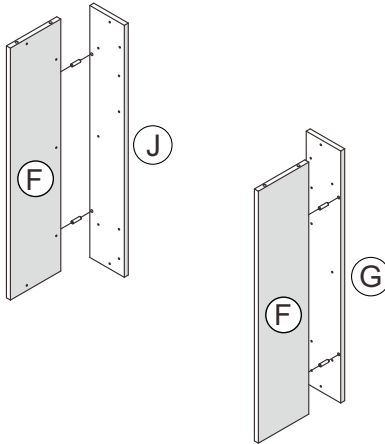
ASSEMBLY INSTRUCTIONS

01



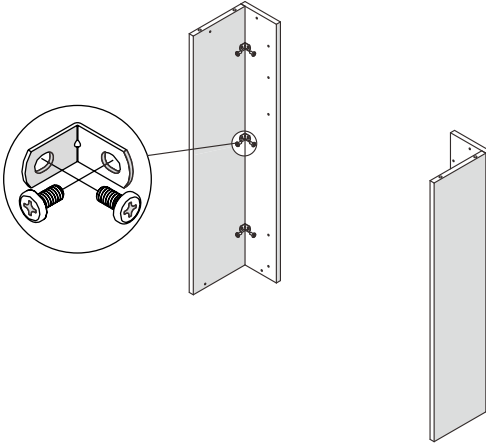
Carry out this assembly step on both sides

02



Carry out this assembly step on both sides

03



12x

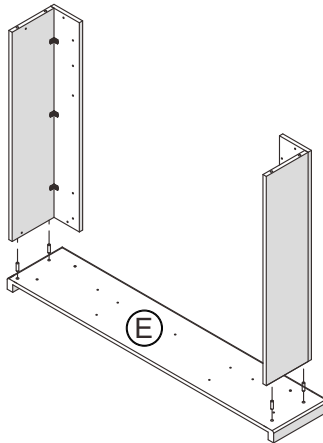
M6x12mm



6x

Carry out this assembly step on both sides

04

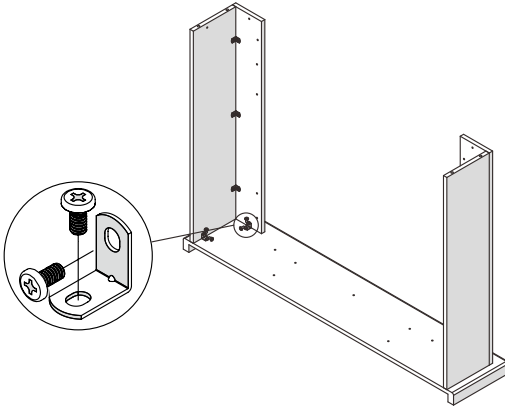


4x

ø 8x30mm

Carry out this assembly step on both sides

05



8x



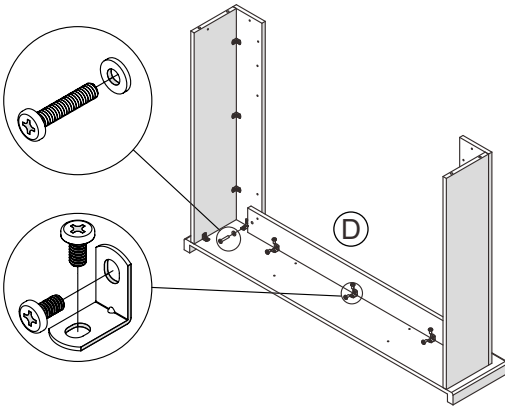
M6x12mm

4x



Carry out this assembly step on both sides

06



6x



M6x12mm

2x



M6x28mm

3x

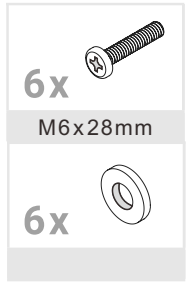
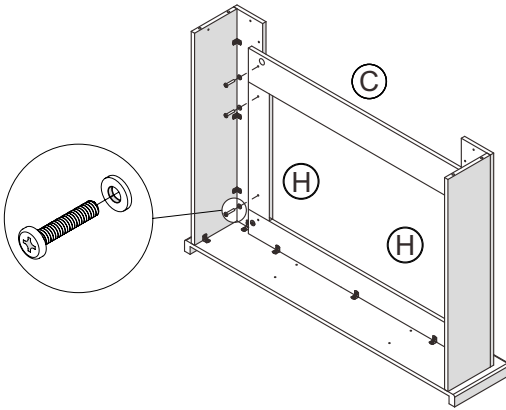


2x



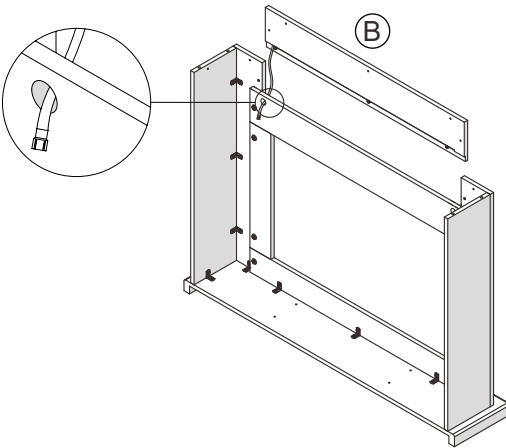
Carry out this assembly step on both sides

07

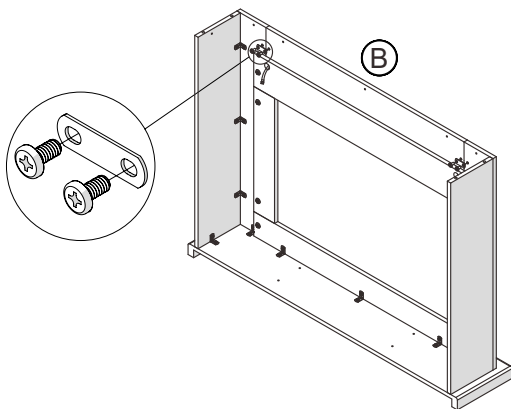


Carry out this assembly step on both sides

08



09



4x



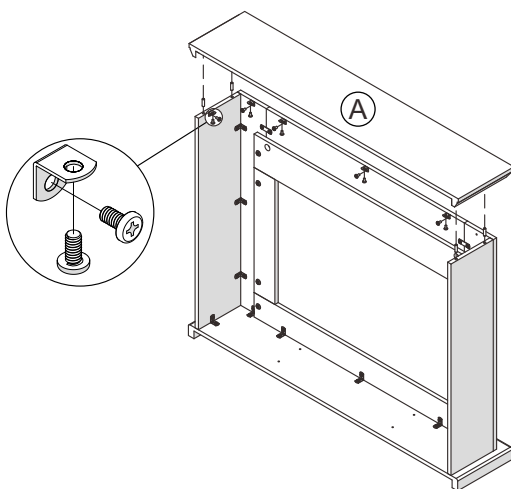
M6x12mm

2x



Carry out this assembly step on both sides

10



14x



M6x12mm

7x



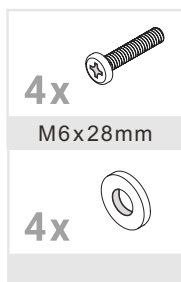
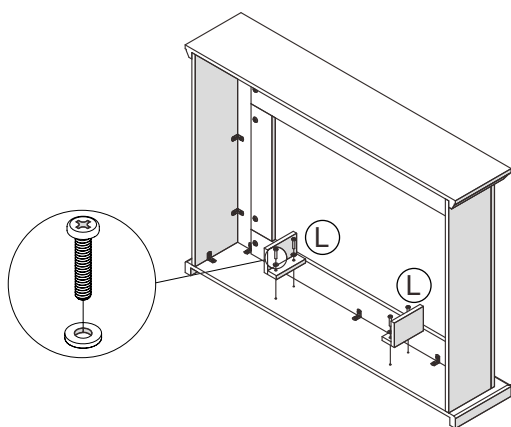
4x



ø 8x30mm

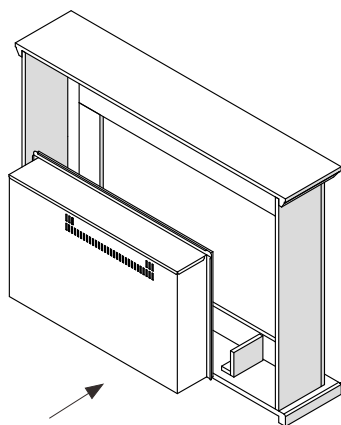
Carry out this assembly step on both sides

11



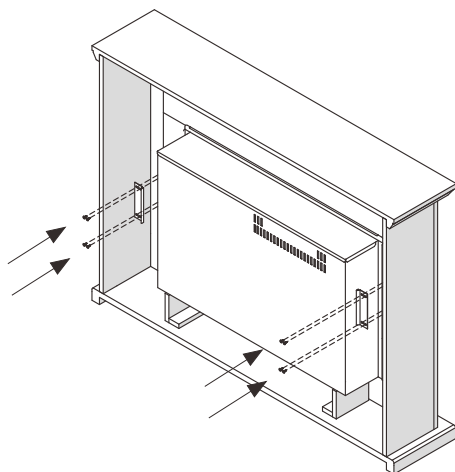
Carry out this assembly step on both sides

12



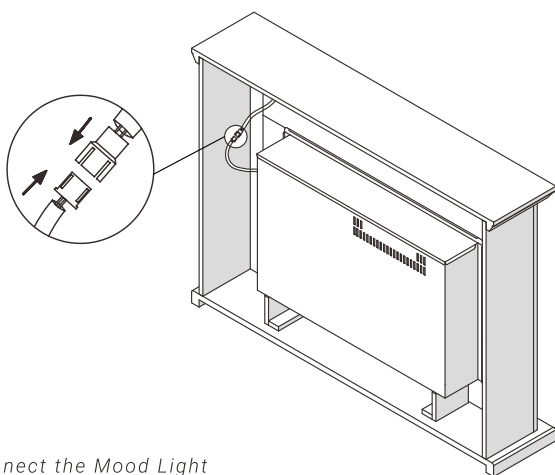
Rear side of the mantel

13



Use 8 pcs ST3.5x12 screws

14



Connect the Mood Light