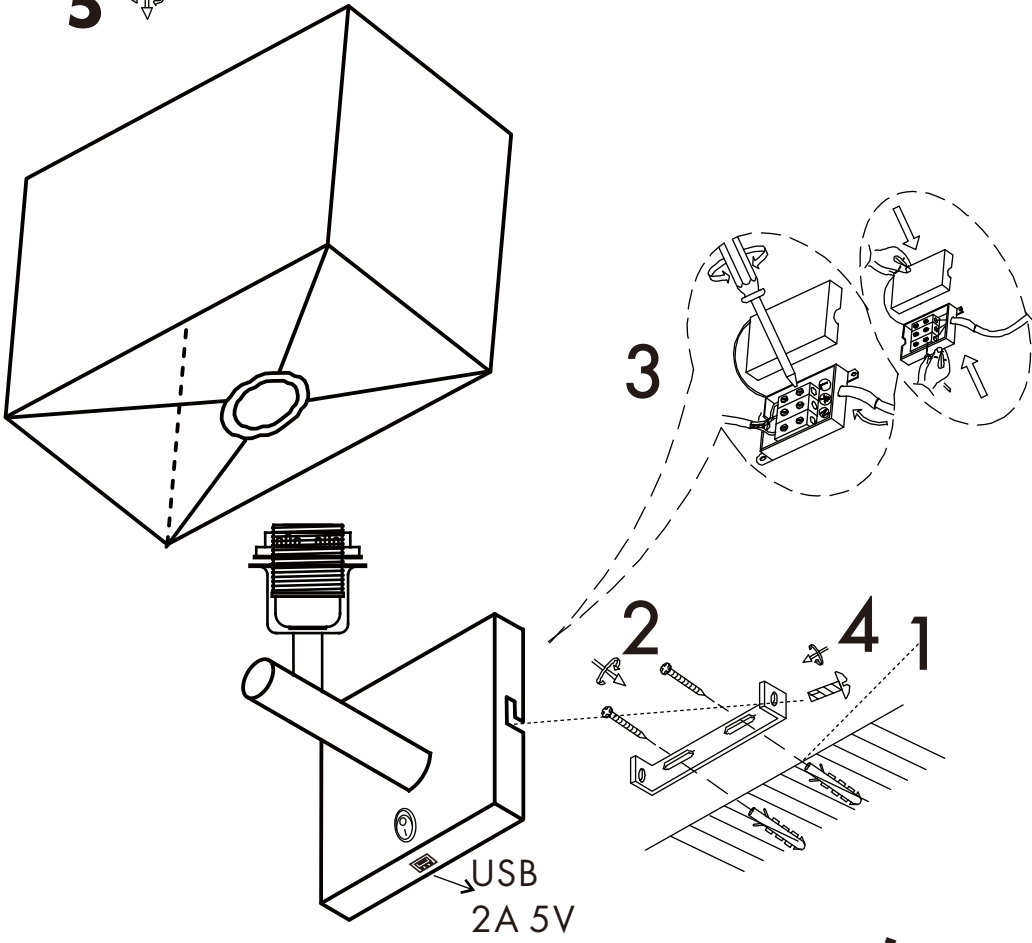
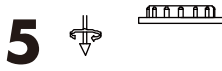
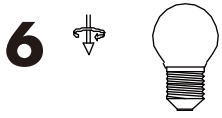


INSTRUCTION MANUAL



Combi WL 1 USB



Overall size:

