

- EN** Electric storage water heater  
**User manual**
- RU** Электрический накопительный водонагреватель  
**Руководство по эксплуатации**
- LV** Elektriskais ūdens sildītājs  
**Lietošanas instrukcija**
- LT** Elektrinis vandens šildytuvas  
**Naudojimo instrukcija**
- EE** Elektriveeboiler  
**Kasutusjuhend**
- DE** Elektrischer warmwasserspeicher  
**Gebrauchsanweisung**
- NL** Electriscche boiler  
**Handleiding**
- FR** Chauffe-eau électrique  
**Manuel d'utilisation**





**Before the first using your electric storage water heater, carefully read this Operation Manual**

**DEAR CLIENT!**

Thank you for your purchasing THERMEX electric water heater. We express our firm believe that the wide range of our water heaters will meet your needs. Use of modern technologies and best quality materials when manufacturing predetermined popularity of and confidence in THERMEX trademark.

Water heaters THERMEX are designed and manufactured in strict accordance with domestic and international standards guaranteeing operation reliability and safety.

Present manual shall apply to the following THERMEX models: IF 30 (smart), IF 50 (smart), IF 80 (smart), IF 100 (smart). The full name of the model of your heater is specified in "Manufacturer's Warranty" section (sub-section "Note of sale") and in the marking plate on the heater casing.

**APPLICATION**

Electric Water Heater (hereinafter EWH) is designed to provide with hot water for welfare and industrial facilities that have cold water supply main with appropriate characteristics.

EWH shall be operated indoors in heated spaces and it is not designed for operation in continuous flow mode.

Electric water heater (hereinafter referred to as the EWH) is designed to provide with hot water for domestic and industrial facilities having a cold water supply line pressure of not less than 0.05 MPa and not more than 0.7 MPa.

**SCOPE OF SUPPLY**

- |                                  |        |
|----------------------------------|--------|
| 1. Water heater .....            | 1 pcs. |
| 2. Safety valve of GP type ..... | 1 pcs. |
| 3. Operation manual .....        | 1 pcs. |
| 4. Packaging .....               | 1 pcs. |
| 5. Anchors for fastening .....   | 1 set  |

**MAIN TECHNICAL CHARACTERISTICS**

EWH power supply voltage of all types and models shall be within the range of 230 V ± 10%. Supply network frequency 50 Hz ± 1%. Volume of the inner tank and heating element power are specified in the marking plate on the casing. Thread diameter in water inlet and outlet pipes - G1/2.

The manufacturer reserves the right to make changes to the design, complete set and specifications of the heater without prior notice.

Labeling	Average heating time $\Delta T = 45^\circ \text{ C}$ at 2.0 kW
IF 30 (smart)	39 min.
IF 50 (smart)	1 h. 06 min.
IF 80 (smart)	1 h. 45 min.
IF 100 (smart)	2 h. 12 min.

## DESCRIPTION AND PRINCIPLE OF OPERATION

The outside casing of the EWH is made of impact-resistant plastic. Inner tanks have a special bio-glass-porcelain coating reliably protecting the inner surface against chemical corrosion. The space between the outside casing and the inner tanks is filled with polyurethane foam - a modern, ecologically clean thermal insulation, which has the best heat-saving characteristics. These models have two screwed nozzles: for inlet of cold water (Figure 1, p. 3) with a blue ring and for outlet of hot water (Figure 1, p. 2) — with a red ring, and equipped with an additional drain connection (closed with metal plug button) for draining the water and flushing the inner tank (Figure 1, p. 17). The control panel, in all models, is on the front side of the EWH (Fig. 1, p. 16).

Tubular electric heater (TEH), thermostat and thermal switch sensors are mounted on the removable flange. TEH is used to heat water and is controlled by thermostat which has smooth temperature regulation adjustment up to  $+75^\circ \text{C}$ . All models are controlled with electronic monitoring panel. Electronics maintain automatically water temperature at the level set by the user. The thermostat is used for protecting against EWH overheating, which disconnects TEH from power supply when water temperature exceeds  $95^\circ \text{C}$ . (Fig. 3).

Safety valve (Fig. 1, p. 5) operates as the check valve, ensuring protection of the water ingress from the water heater into the sewage system in case of pressure drop in the sewage system and in case of pressure rise in the tank at high water heating, as well as the functions of the safety valve, releasing overpressure in the tank at high water heating. During water heater operation water may leak out of the exhaust outlet pipe of the safety valve to relieve excessive pressure, which is made for the purpose of water heater safety. This outlet pipe shall remain open to the atmosphere and be installed constantly down and in a non-freezing environment.

Drainage of water from the safety valve (Fig. 1, p. 14) exhaust pipe into the drain shall be provided with installation of the corresponding EWH drainage (Fig. 1, p. 6).

It is required regularly (at least once a month) to discharge a small amount of water through the exhaust pipe of the safety valve into the drain to remove lime deposits and to test the operating functionality of the valve. Handle (Fig. 1, p. 15) is intended to open the valve. It is necessary to control when operating water heater this handle to be in position closing water draining from the tank.

## SPECIFYING SECURITY MEASURES

Electrical safety and corrosion protection of EWH are guaranteed only if there is an effective grounding in accordance with applicable electric installation rules and regulations.

Plumbing pipes and fittings shall conform to parameters of water main and have the required certificates of quality.

When installing and operating EWH the following is not allowed:

- To power EWH if EWH is not filled with water.
- To remove the protective cover when the power is on.
- Use EWH without grounding.
- To connect EWH to water supply with pressure exceeding 0.7 MPa.
- To connect EWH to the water supply without safety valve.
- To drain water from EWH with power switched on.
- To use spare parts not recommended by the manufacturer.
- To use water from the EWH for cooking.
- To use water containing impurities (sand, small stones), which might lead to EWH and safety valve breakdown.
- To modify design and installation dimensions of EWH brackets.

Ambient temperature shall be within the range of 3°C to 40°C. Water in freezing EWH at negative temperatures results in malfunction, which is not a warranty case.



**Attention should be paid to children so that they do not play with EWH. EWH is not intended for use by persons (including children) with limited physical, sensory or mental capabilities, or by persons who do not know how to use the EWH, except for cases when this happens under the supervision or instructions by persons responsible for safety of the EWH.**

## INSTALLATION AND CONNECTION

All installation, plumbing and electrical works shall be performed by qualified personnel.

## ARRANGEMENT AND INSTALLATION

EWH installation shall be performed in accordance with marking on the housing and the following table:

Labeling	Arrangement
IF 30 (smart)	vertical installation, pipes down; Horizontal installation, pipes left
IF 50 (smart)	
IF 80 (smart)	
IF 100 (smart)	

It is recommended to install EWH as close as possible to the place of hot water using to reduce heat loss in the pipes.

When drilling (making) holes in the wall consider cables, ducts and pipes in the wall. When choosing the place of installation total weight of EWH filled with water shall be taken into account. Walls and floor with low carrying capacity should be strengthened accordingly.

EWH is suspended by brackets on hook anchors fixed in the wall. Hooks mounting on the wall shall exclude spontaneous movement of EWH brackets along them.

For EWH maintenance the distance from the protective cover to the nearest surface in the direction of the removable flange axis shall be at least 30 cm for all models.



**In order to avoid damage of the user's and/or third parties' property in the event of a faulty hot water system, it is required to install EWH in spaces with waterproofing and drainage to the sewers, and in no case to place under items exposed to the water under EWH. When placed in unprotected areas a protective plate (not supplied) with drainage into sewers shall be installed under the EWH.**

In case of placing EWH in hard-to-reach places EVN in order to perform maintenance and warranty service (mezzanine floors, niches, ceiling voids, etc.), installation and dismantling of EWH is carried out by the user on his own or for his own account.

Note: safety tray is not included into the scope of EWH supply.

### CONNECTION TO WATER MAINS

Install pressure relief valve (fig. 1, p.5) at the cold water inlet (fig. 1, p. 3) tube with the blue ring, by 3.5-4 turnings, ensuring junction tightness with any sealing material (flax, FUM tape, etc.).



**Do not operate the EWH without safety valve or with valve made by other manufacturers.**

During EWH operation you can observe water leak out of the outlet pipe of the safety valve for excessive pressure release to ensure safety of the water heater. It is recommended to connect to a drainage hole a rubber or silicone pipe of the relevant diameter for moisture removal.

Connection to the water supply line shall be carried out in accordance with Fig. 1 using copper, plastic pipes or special flexible sanitary wiring. Do not use any used flexible wiring. It is recommended to supply water to EWH through filter installed on the cold water main (not included in the scope of supply).

**Fig. 1 EWH connection diagram to water supply**

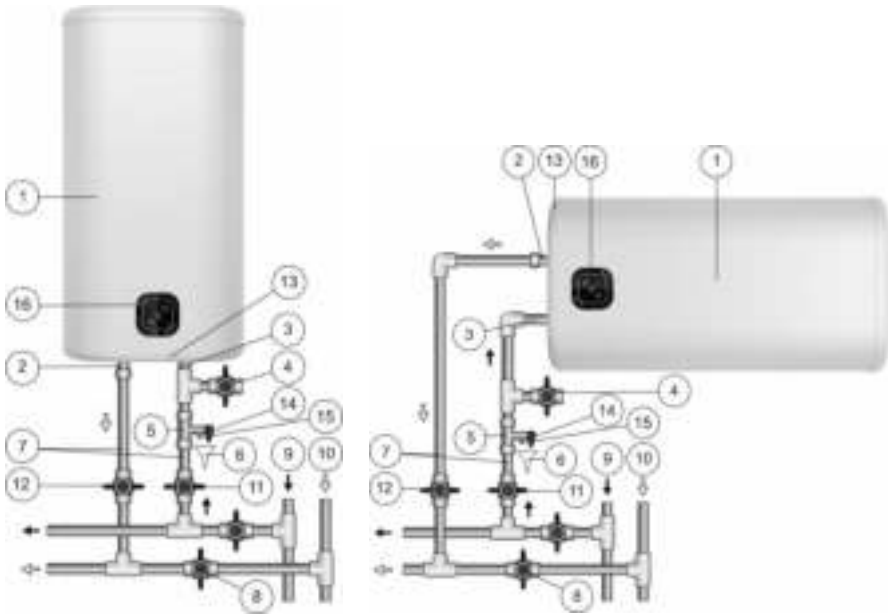


Fig. 1: 1 – EWH, 2 – hot water pipe, 3 – cold water pipe, 4 – drain valve, 5 – safety valve, 6 – drainage, 7 – feed pipe, 8 – shut off valve when EWH operation, 9 – cold water main, 10 – hot water main, 11 – cold water shut-off valve, 12 – hot water shut-off valve, 13 – protective cover, 14 –exhaust pipe of the safety valve, 15 – handle for opening pressure relief valve, 16 – control panel.

After connection open cold water supply valve (Figure 1, p. 11) in EWH (11), hot water valve at EWH outlet (Figure 1, p.12) and hot water tap on mixer to ensure outflow of air from the EWH. When the final EWH filling, cold water will continuously flow out of mixer tap. Turn the hot water tap on the mixer off.

When connecting EWH in places not provided with water mains it is allowed to supply water to EWH from auxiliary tank using pumping station, or from the tank placed at a height of not less than 5 meters from the top of EWH.

Note: for ease of maintenance during EWH operation it is recommended to install drain valve (Fig. 1, p.4) in accordance with Fig. 1 (for models not equipped with drainage pipe (not in the scope of EWH supply)).

If water pressure in water supply exceeds 0.7 MPa, pressure relief valve shall be installed at inlet, upstream of EWH (not in the scope of EWH supply) to reduce water pressure to standard.

**CONNECTION TO POWER SUPPLY**



**Prior to power activation make sure EWH is filled with water!**

EWH is equipped with the stationary power cable with plug.

Power outlet shall be provided with grounding terminal and be arranged in a dry place.

Power capacity is 2000W. Power outlet and wiring shall be designed for rated power at least 2000W.

Plug the device.

## OPERATION

**Fig. 2 Electronic control panel**



Fig. 2: 1 – “On/Off” on/off button, 2 – “Temperature” heating temperature increase/reduction button, 3 – heating temperature indicators (55°C, 65°C, 75°C), 4 – “Smart” smart mode button, 5 – “Alarm” emergency alarm indicator.

EWH switching on/off is made by control panel button “On/Off” (Figure 2, p.1).

In the course of EWH operation the user can regulate heating temperature using button “Temperature” (Figure 2, p. 2). The following values may be taken as target temperature: 55°C, 65°C, 75°C (Figure 2, p. 3). When choosing temperature the heating temperature indicator flashes 5 times, then switches into operating mode. When water temperature is lower than the set temperature, EWH heats water, and heating temperature indicator flashes. When water temperature reaches set value, heating temperature indicator is permanently on. When water heater is on, its target temperature is 65°C.

Using smart mode button “Smart” (Figure 2, p.4) EWH smart operation mode can be enabled. In this operation mode EWH can study and record user’s habits in using hot water and prepare hot water in advance for the next water cycle (7 days in a cycle). When users do not need hot water, it can maintain water at minimum temperature. Thus comfort and saving of energy can be achieved. This mode is used for those who use hot water on a regular basis. To enable this mode, press smart mode button “Smart”. To disable the mode, press this button again or switch EWH off.



Frost protection mode “NO FROST”. When EWH is plugged, but switched off using “On/Off” button, and water temperature is less than 5 °C the frost protection mode is automatically enabled. When water temperature reaches 10 °C the frost protection mode is automatically disabled. When frost protection mode is enabled, power indicator is on.

If you do not use the EWH in the winter time and there is a possibility of freezing of the main waterways and the water heater itself, it is recommended to turn off the power and drain the water from the EWH in order to avoid damage to the inner tank.

## TECHNICAL MAINTENANCE

Maintenance and timely replacement of magnesium anode are obligatory conditions for long-term operation of EWH. Failure to comply with these requirements is grounds for release from the warranty service. Maintenance and replacement of magnesium anode are not part of the warranty of the manufacturer.

When performing maintenance condition of magnesium anode and scale on TEH are checked. At the same time residue that may accumulate in the bottom of the EWH is removed.

Magnesium anode must be replaced at least once in 2 years. If water contains high levels of chemical contaminants, the magnesium anode must be replaced more often. Scaling at TEH can result in its malfunction, that is not a warranty case, and its replacement is not included in the warranty of the manufacturer and the seller. If there is scale on TEH, then it can be removed by using scale removing means or mechanically. When removing residuals from EWH do not apply excessive force and do not use abrasive cleaners not to damage the protective coating of the inner tank.

Importance of the first maintenance is that by intensity of scale and residues, magnesium anode consumption terms for next maintenance services can be decided and, consequently, service life can be extended. In case of non-observance of the above requirements EWH service life reduces, increases the probability of EWH breakdown and validity of warranty expires.



### **Scale accumulated in the course of operation on TEH may cause its damage**

Note: Damages to TEH due to scale formation are not subject to warranty. Regular maintenance is not included in the warranty of the manufacturer and the seller.

The following shall be carried out for maintenance:

- Turn off EWH power;
- Cool hot water or discharge it through the mixer;
- Cut off supply of cold water into EWH;
- Unscrew the relief valve or open drain valve;
- To put on the cold water supply inlet or discharge valve a rubber hose, sending the other end down the drain;
- Open hot water tap on mixer and drain water from the EWH through the hose;
- Remove the protective cover, disconnect wires, unscrew and remove from the casing the removable flange;
- Clean if necessary THEs from scale and remove residue from the tank;

- Assemble, fill the EWH with water and power on.

In models with drain pipe, it is enough to cut off the flow of cold water into the EWH, unscrew the drain stub on drain pipe and open hot water tap. Once the water is discharged, you can open for a while cold water supply in EWH for additional tank washing.

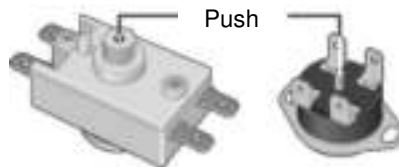
When conducting EWH maintenance by forces of specialized organization mark with the seal of organization performing maintenance shall be made in service coupon.

### POSSIBLE FAULTS AND REMEDIES.

Malfunction	Possible cause	How to fix
Hot water pressure from EWH decreased. Cold water pressure keeps at the level.	Clogged inlet safety valve	Remove the valve and clean it in water
Heating time increased	TEH is covered with a layer of sludge	Remove the flange and clean the TEH
	Supply voltage decreased	Contact power main operation service
Frequent tripping of thermal switch	The set temperature is close to the limit	Reduce temperature using "Temperature" button
	Thermostat tube is covered with sludge	Take out the EWH the removable flange and gently clean the tube from scale
EWH operates but is not heating water	Valve (Fig. 1, p. 8) is not closed or out of order	Close or replace the valve (Fig. 1, p. 8)
Powered EWH does not heat water. No backlights of indicator lamps.	1) no voltage in electric network; 2) damaged power cord.	1) Check voltage at the electrical outlet; 2) Contact a qualified service center.

These faults are not defects of EWH and shall be fixed by the consumer or by a specialized organization at his own expense.

**Fig. 3 Thermal switch button layout**



In case of internal failure when the water heater is off, emergency alarm indicator “Alarm” will send emergency alarm. Information on signals is given in table below:

Indication	Possible cause	How to fix
Indicator is constantly on	Water temperature exceeded 88 °C	Unplug EWH and plug it again and when temperature is less than 88°C indication will discontinue
Indicator flashes (frequency 1 sec)	Thermostat is malfunctioned	Contact the service center for thermostat replacement
Indicator flashes (frequency 4 sec)	No water in the tank and heating element is on	Make sure the tank is filled in with water. Contact the service center for thermostat replacement, if heating element is burn out

### TRANSPORTATION AND STORAGE OF ELECTRIC WATER HEATERS

Transportation and storage of electric water heaters shall be carried out in accordance with manipulation marks on the packaging:



— need to protect the goods from moisture



— fragile, delicate handling



— Recommended temperature range for cargo storage: from +10°C to +20°C



— correct vertical position of cargo;

### DISPOSAL

When complying with the rules of EWH installation, operation and maintenance and when water quality complying with current standard the manufacturer sets EWH lifespan of 9 years.

When disposing of the EWH comply with local environmental laws and guidelines.

The manufacturer reserves the right to make changes to the design and specifications of the heater without prior notice.

### MANUFACTURER'S WARRANTY

The manufacturer sets 2 years as the period of warranty for water heater, and warranty period for parts and components is as follows:

- for water containing tank (inner tank) – 5 years;
- for other components (heating element, thermostat, indicator lights, gaskets, temperature indicator, pressure relief valve) 2 years.

The warranty period is calculated from the date of EWH sale. If there is no or corrected date of sale and shop stamp, the warranty period is calculated from the date of EWH manufacture. Claims within the warranty period are accepted only on presentation of the warranty card with marks of the seller, and the identification plate on the casing of the EWH. EWH serial number consists of thirteen digits. The third and fourth digits of the serial number are year of manufacture, the fifth and sixth digits - month of release, the seventh and eighth digits - day of EWH release. Claims within the warranty period are accepted only on presentation of the guarantee card with marks of the seller, and the identification plate on the casing of the EWH.

The warranty shall apply to EWH only. Malfunction of relief valve or power line cord shall not entail replacement of EWH. Responsibility for compliance with principles of installation and connection shall be borne by the buyer (in case of connection by his own) or by the installer carrying out connection.

Recurring maintenance and timely replacement of magnesium anode are compulsory conditions for long operation of EWH and survival of warranty obligations of the manufacturer.

The first replacement of magnesium anode shall be not later than 25 months from the date of EWH installation (in case of no mark of installation in warranty certificate with the seal in installation company, the term is calculated from the date of manufacture). Later magnesium anode shall be replaced at least once a year. Anode replacement shall be provided with mark and seal of servicing company in the warranty certificate.

When installing and operating EWH, the consumer is obliged to comply with requirements ensuring trouble-free operation of the appliance during the warranty period:

- Implement security measures and rules of installation, connection, operation and maintenance contained in this manual.
- Avoid mechanical damage from negligent storage, transportation and installation.
- Avoid water freezing in EWH.
- Use for heating in EWH water without mechanical and chemical admixtures (see cl.5).
- Operate the EWH with properly operating relief valve supplied with EWH (see cl.5).

The manufacturer shall not be liable for defects due to violations of principles of installation, operation and maintenance of EWH set forth herein, including in cases where these defects have arisen due to invalid parameters of mains (electricity and water), where EWH is operated, and due to the intervention of a third party. Manufacturer's warranty does not cover claims for appearance of EWH.

Repairs, replacement of parts and components within the warranty period do not extend the warranty period for EWH in general. The warranty period for replaced or repaired parts is one month.


## INFORMATION ON THE MANUFACTURER

EN

### **Manufacturer:**

THERMEX heating Technology (Jiangmen) CO., Ltd

No. 51, Jianshedonglu, Taoyuan town, Heshan City, Guangdong Province, PRC

 **All models have been certified and comply with requirements of European Directives 2006/95/EC, 2004/108/EC.**

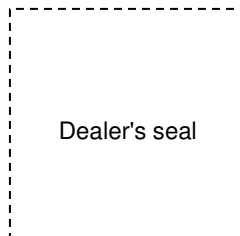
**NOTE OF SALE**

Model \_\_\_\_\_ Serial No. \_\_\_\_\_

Date of sale \_\_\_\_\_, 20 \_\_\_\_ .

Dealer: \_\_\_\_\_

Dealer's representative  
signature \_\_\_\_\_



The product is completed; I have no claims for the appearance of the product. Operation manual with the necessary marks is received. I have read, understood and accepted operation rules and warranty terms.

Customer's signature: \_\_\_\_\_



**Перед первым использованием водонагревателя внимательно прочитайте настоящее руководство по эксплуатации**

**RU**

## **УВАЖАЕМЫЙ ПОКУПАТЕЛЬ!**

Поздравляем Вас с приобретением водонагревателя THERMEX. Выражаем уверенность в том, что широкий ассортимент наших электроводонагревателей удовлетворит любые Ваши потребности. Применение современных технологий и материалов высочайшего качества при изготовлении приборов определили популярность и доверие к торговой марке THERMEX.

Электроводонагреватели THERMEX разработаны и изготовлены в строгом соответствии с международными стандартами, гарантирующими надежность и безопасность эксплуатации.

Настоящее руководство распространяется на следующие модели THERMEX: IF 30 (smart), IF 50 (smart), IF 80 (smart), IF 100 (smart). Наименование модели приобретенного Вами водонагревателя указано в разделе «Отметка о продаже» и в идентификационной табличке на корпусе прибора.

### **1. НАЗНАЧЕНИЕ**

Электроводонагреватель (далее по тексту ЭВН) предназначен для обеспечения горячей водой бытовых и промышленных объектов, имеющих магистраль холодного водоснабжения с необходимыми параметрами.

ЭВН должен эксплуатироваться в закрытых отапливаемых помещениях и не предназначен для работы в непрерывно проточном режиме.

Электроводонагреватель (далее по тексту - ЭВН) предназначен для обеспечения горячей водой бытовых и промышленных объектов, имеющих водопровод холодной воды с давлением не менее 0,05 МПа и не более 0,7 МПа.

### **2. КОМПЛЕКТ ПОСТАВКИ**

6. Водонагреватель .....1 шт.
7. Предохранительный клапан типа GP.....1 шт.
8. Руководство по эксплуатации.....1 шт.
9. Упаковка.....1 шт.
10. Анкеры для крепежа.....1 комплект

### **3. ОСНОВНЫЕ ТЕХНИЧЕСКИЕ ХАРАКТЕРИСТИКИ**

Напряжение питания всех типов и моделей ЭВН должно находиться в пределах 230 В  $\pm$ 10%. Частота питающей электросети 50Гц  $\pm$  1 %. Объем внутреннего бака и мощность нагревательного элемента указаны в идентификационной табличке на корпусе прибора. Диаметр резьбы патрубков входа и выхода воды – G1/2.Изготовитель оставляет за собой право на внесение изменений в комплектацию, конструкцию и характеристики водонагревателя без предварительного уведомления.

Маркировка	Усредненное время нагрева на $\Delta T=45^{\circ}\text{C}$ при мощности 2,0 кВт
IF 30 (smart)	39 мин.
IF 50 (smart)	1 ч. 06 мин.
IF 80 (smart)	1 ч. 45 мин.
IF 100 (smart)	2 ч. 12 мин.

#### 4. ОПИСАНИЕ И ПРИНЦИП ДЕЙСТВИЯ ЭВН

Внешний корпус ЭВН выполнен из ударопрочного пластика. Внутренние баки имеют специальное покрытие биостеклофарфор, надежно защищающее внутреннюю поверхность от химической коррозии. Пространство между внешним корпусом и внутренними баками заполнено пенополиуретаном - современной, экологически чистой теплоизоляцией, обладающей наилучшими характеристиками теплосбережения. Данные модели имеют два резьбовых патрубка: для входа холодной воды (Рис. 1, п. 3) с синим кольцом и выхода горячей воды (Рис. 1, п. 2) - с красным кольцом, и оборудованы дополнительным дренажным патрубком (закрит металлической заглушкой) для слива воды и промывки внутреннего бака (Рис. 1, п. 17). На лицевой стороне ЭВН, во всех моделях, находится панель управления (Рис. 1, п. 16).

На съемном фланце смонтированы трубчатый электронагреватель (ТЭН) и датчики термостата и термовыключателя. ТЭН служит для нагрева воды и управляется термостатом, который имеет плавную регулировку температуры до  $+75^{\circ}\text{C}$ . Все модели имеют управляются с помощью электронной панели. Электроника автоматически поддерживает температуру воды на уровне, установленном пользователем. Термовыключатель служит для предохранения ЭВН от перегрева и отключает ТЭН от сети при превышении температуры воды свыше  $+95^{\circ}\text{C}$  (Рис. 3).

Предохранительный клапан (Рис. 1, п. 5) выполняет функции обратного клапана, препятствуя попаданию воды из водонагревателя в водопроводную сеть в случаях падения в последней давления и в случаях возрастания давления в баке при сильном нагреве воды, а также функции защитного клапана, сбрасывая избыточное давление в баке при сильном нагреве воды. Во время работы водонагревателя вода может просачиваться из выпускной трубы предохранительного клапана для сброса излишнего давления, что происходит в целях безопасности водонагревателя. Эта выпускная труба должна оставаться открытой для атмосферы и быть установлена постоянно вниз и в незамерзающей окружающей среде.

Необходимо обеспечить отвод воды из выпускной трубы предохранительного клапана (Рис. 1, п. 14) в канализацию, предусмотрев при монтаже ЭВН соответствующий дренаж (Рис. 1, п. 6).

Необходимо регулярно (не реже одного раза в месяц) проводить слив небольшого количества воды через выпускную трубу предохранительного клапана в канализацию для удаления известковых осадков и для проверки работоспособности клапана. Для открывания клапана он снабжен ручкой (Рис. 1, п. 15). Необходимо следить, чтобы во время работы ЭВН эта ручка находилась в положении, закрывающем слив воды из бака.



## 5. УКАЗАНИЯ МЕР БЕЗОПАСНОСТИ

Электрическая безопасность ЭВН гарантирована только при наличии эффективного заземления, выполненного в соответствии с действующими правилами монтажа электроустановок.

Сантехническая подводка и запорная арматура должны соответствовать параметрам водопроводной сети и иметь необходимые сертификаты качества.

При монтаже и эксплуатации ЭВН не допускается:

- подключать электропитание, если ЭВН не заполнен водой;
- снимать защитную крышку при включенном электропитании;
- использовать ЭВН без заземления;
- включать ЭВН в водопроводную сеть с давлением больше 0,7 МПа;
- подключать ЭВН к водопроводу без предохранительного клапана;
- сливать воду из ЭВН при включенном электропитании;
- использовать запасные части, не рекомендованные Производителем;
- использовать воду из ЭВН для приготовления пищи;
- использовать воду, содержащую механические примеси (песок, мелкие камни), которые могут привести к нарушению работы ЭВН и предохранительного клапана.
- изменять конструкцию и установочные размеры кронштейнов ЭВН.

Температура окружающей среды, в которой эксплуатируется ЭВН, должна находиться в пределах от 3°C до 40°C. Замерзание воды в ЭВН при отрицательных температурах приводит к выходу его из строя, что не является гарантийным случаем.



**Следует обращать внимание детей на то, чтобы они не играли с ЭВН. ЭВН не предназначен для эксплуатации лицами (включая детей) с ограниченными физическими, осязательными или психическими способностями, а также лицами, не умеющими пользоваться ЭВН, за исключением случаев, когда это происходит под наблюдением или согласно инструкциям от лиц, отвечающих за безопасность ЭВН.**

## 6. УСТАНОВКА И ПОДКЛЮЧЕНИЕ

Все монтажные, сантехнические и электромонтажные работы должны проводиться квалифицированным персоналом.

## 7. РАЗМЕЩЕНИЕ И УСТАНОВКА

Установка ЭВН производится в соответствии с маркировкой, указанной на корпусе, и следующей таблицей:

Маркировка	Размещение
IF 30 (smart)	вертикальный монтаж, патрубki вниз; горизонтальный монтаж, патрубki влево
IF 50 (smart)	
IF 80 (smart)	
IF 100 (smart)	

Рекомендуется устанавливать ЭВН максимально близко от места использования горячей воды, чтобы сократить потери тепла в трубах.

При сверлении (выполнении) отверстий в стене, следует учитывать проходящие в ней кабели, каналы и трубы. При выборе места монтажа необходимо учитывать общий вес ЭВН заполненного водой. Стену и пол со слабой грузоподъемностью необходимо соответственно укрепить.

ЭВН подвешивается за кронштейны корпуса на крюки анкеров, закрепляемые в стене. Монтаж крюков в стене должен исключать самопроизвольное перемещение по ним кронштейнов ЭВН.

Для обслуживания ЭВН расстояние от защитной крышки до ближайшей поверхности в направлении оси съемного фланца должно быть не менее 30 сантиметров - для всех моделей;



**Во избежание причинения вреда имуществу потребителя и (или) третьих лиц в случае неисправностей системы горячего водоснабжения, необходимо производить монтаж ЭВН в помещениях, имеющих гидроизоляцию полов и дренаж в канализацию, и ни в коем случае не размещать под ЭВН предметы, подверженные воздействию воды. При размещении ЭВН в незащищенных помещениях необходимо установить под ЭВН защитный поддон с дренажем в канализацию.**

В случае размещения ЭВН в местах, труднодоступных для проведения технического и гарантийного обслуживания (антресоли, ниши, межпотолочные пространства и т.п.) демонтаж и монтаж ЭВН осуществляется потребителем самостоятельно, либо за его счет.

Примечание: защитный поддон не входит в комплект поставки ЭВН.

## 8. ПОДКЛЮЧЕНИЕ К ВОДОПРОВОДУ

Установить предохранительный клапан (Рис. 1, п. 5) на входе холодной воды (Рис. 1, п. 3), помеченном синим кольцом, закрутив на 3,5 - 4 оборота, обеспечив герметичность соединения любым уплотнительным материалом (льном, лентой ФУМ и др.).

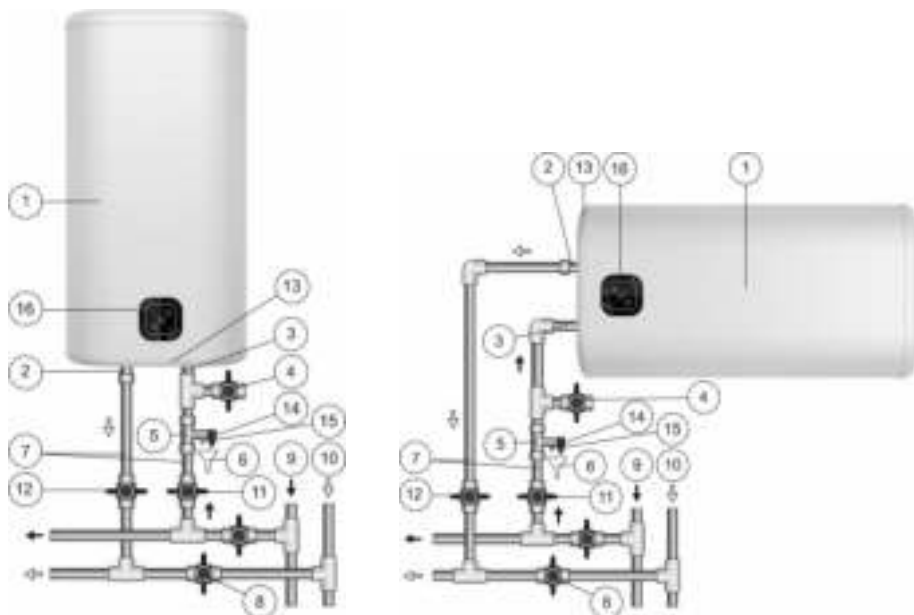


**Запрещается эксплуатировать ЭВН без предохранительного клапана или использовать клапан других производителей.**

Во время эксплуатации ЭВН вы можете наблюдать появление капель из дренажного клапика предохранительного клапана (сброс излишнего давления при нагреве воды). Рекомендуется присоединить к дренажному клапичку резиновую или силиконовую трубку соответствующего диаметра для отвода влаги.

Подключение к водопроводной системе производится в соответствии с Рис. 1 только при помощи медных, металлопластиковых или пластиковых труб, а также специальной гибкой сантехподводки. Запрещается использовать гибкую подводку бывшую ранее в употреблении. Рекомендуется подавать воду в ЭВН через фильтр-грязевик, установленный на магистрали холодной воды (не входит в комплект поставки).

**Рисунок 1. Схема подключения ЭВН к водопроводу**



**Рисунок 1:** 1 – ЭВН, 2 – патрубок горячей воды, 3 – патрубок холодной воды, 4 – сливной вентиль, 5 – предохранительный клапан, 6 – дренаж в канализацию, 7 – подводка, 8 – перекрыть вентиль при эксплуатации ЭВН, 9 – магистраль холодной воды, 10 – магистраль горячей воды, 11 – запорный вентиль холодной воды, 12 – запорный вентиль горячей воды, 13 – защитная крышка, 14 – выпускная труба предохранительного клапана, 15 – ручка для открывания предохранительного клапана, 16 – панель управления.

После подключения откройте вентиль подачи холодной воды (Рис. 1, п. 11) в ЭВН, кран выхода горячей воды из ЭВН (Рис. 1, п. 12) и кран горячей воды на смесителе, чтобы обеспечить отток воздуха из водонагревателя. При конечном заполнении ЭВН из крана смесителя непрерывной струей потечет холодная вода. Закройте кран горячей воды на смесителе.

При подключении ЭВН в местах, не снабженных водопроводом, допускается подавать воду в ЭВН из вспомогательной емкости, размещённой на высоте не менее 5 метров от верхней точки ЭВН, или с использованием насосной станции.

Примечание: для облегчения обслуживания ЭВН в процессе эксплуатации рекомендуется установка сливного вентиля (Рис. 1, п. 4) в соответствии с рис. 1 (для

**RU** моделей, не оборудованных сливным патрубком (не входит в комплект поставки ЭВН)).

Если давление в водопроводе превышает 0,7 МПа, то на входе перед ЭВН необходимо установить редукционный клапан (не входит в комплект поставки ЭВН) для снижения давления воды до нормы.

## 9. ПОДКЛЮЧЕНИЕ К ЭЛЕКТРОСЕТИ



**Перед включением электропитания убедитесь, что ЭВН заполнен водой.**

ЭВН оборудован штатным шнуром электропитания с вилкой.

Розетка должна иметь клемму заземления и располагаться в месте, защищенном от влаги.

Мощность прибора составляет 2000 Вт. Розетка и подведенная к ней электропроводка должны быть рассчитаны на номинальную мощность не менее 2000Вт.

Вставить вилку в розетку.

## 10. ЭКСПЛУАТАЦИЯ

**Рисунок 2. Электронная панель управления**



**Рисунок 2:** 1 – кнопка включения/выключения «On/Off», 2 – кнопка увеличения/уменьшения температуры нагрева «Temperature», 3 – индикаторы температуры нагрева (55°C, 65°C, 75°C), 4 – кнопка умного режима «Smart», 5 – индикатор аварийной сигнализации «Alarm».

Включение/выключение ЭВН осуществляется кнопкой на панели управления «On/Off» (Рис.2, п.1).

В процессе эксплуатации ЭВН потребитель может регулировать температуру нагрева при помощи кнопки «Temperature» (Рис.2, п.2). В качестве целевой температуры могут быть выбраны следующие значения: 55°C, 65°C, 75°C (Рис.2, п.3). Когда вы выбираете температуру, индикатор температуры нагрева мигает пять раз, затем переходит в рабочее состояние. Когда температура воды ниже заданной температуры, ЭВН нагревает воду, а индикатор температуры нагрева мигает.

Когда температура воды достигает заданной температуры, индикатор температуры нагрева горит постоянно. Когда включается водонагреватель, целевая температура по умолчанию составляет 65 °С.

С помощью кнопки умного режима «Smart» (Рис.2, п.4) можно включить интеллектуальный режим работы ЭВН. Во время работы этого режима ЭВН может изучать и записывать привычку пользователей использовать горячую воду и заранее подготавливать горячую воду для следующего цикла воды (7 дней в цикле). В период, когда пользователям не нужна горячая вода, поддерживать воду при минимальной температуре. Таким образом, можно достигнуть комфорта и экономии энергии. Этот режим применяется для пользователей, которые регулярно используют горячую воду. Для включения данного режима нажмите кнопку умного режима «Smart». Чтобы выйти из режима, снова нажмите эту кнопку или выключите ЭВН.

Режим защиты от замерзания «NO FROST». Когда ЭВН включен в сеть, но выключен с помощью кнопки «On/Off», а температура воды становится меньше 5 °С, режим защиты от замерзания автоматически включается. Когда температура воды достигает 10 °С, режим защиты от замерзания автоматически отключается. Когда режим защиты от замерзания включается, загорается индикатор включения.

Если вы не используете ЭВН в зимний период и существует вероятность замерзания водных магистралей и самого водонагревателя, рекомендуется отключить питание и слить воду из ЭВН во избежание повреждения внутреннего бака.

## 11. ТЕХНИЧЕСКОЕ ОБСЛУЖИВАНИЕ

Периодическое проведение ТО и своевременная замена магниевых анодов являются обязательными условиями для долговременной работы ЭВН. Невыполнение этих требований является основанием для снятия ЭВН с гарантийного обслуживания. Техническое обслуживание и замена магниевых анодов не входят в гарантийные обязательства изготовителя.

При проведении ТО проверяется состояние магниевых анодов и наличие накипи на ТЭНе. Одновременно с этим удаляется осадок, который может накапливаться в нижней части ЭВН.

Магниевый анод необходимо заменять не реже одного раза в 2 года. Если вода содержит большое количество химических примесей, то магниевый анод необходимо менять чаще. Образование накипи на ТЭНе может привести к выходу его из строя, что не является гарантийным случаем, и его замена не входит в гарантийные обязательства изготовителя и продавца. Если на ТЭНе образовалась накипь, то ее можно удалить с помощью средств для удаления накипи, либо механическим путем. При удалении осадка из ЭВН не следует применять чрезмерных усилий и использовать абразивные чистящие средства, чтобы не повредить защитное покрытие внутреннего бака.

Важность первого технического обслуживания заключается в том, что по интенсивности образования накипи и осадка, расхода магниевых анодов можно определить сроки проведения последующих ТО и, как следствие, продлить срок эксплуатации ЭВН. При невыполнении перечисленных выше требований сокращается срок эксплуатации ЭВН, возрастает вероятность выхода ЭВН из строя, и прекращается действие гарантийных обязательств.



**Накопление накипи на ТЭНе в процессе эксплуатации может стать причиной его повреждения.**

Примечание: Повреждение ТЭНа из-за образования накипи не подпадает под действие гарантийных обязательств. Регулярное техническое обслуживание не входит в гарантийные обязательства изготовителя и продавца.

Для проведения ТО необходимо выполнить следующее:

- отключить электропитание ЭВН;
- дать остыть горячей воде или израсходовать ее через смеситель;
- перекрыть поступление холодной воды в ЭВН;
- отвинтить предохранительный клапан или открыть сливной вентиль;
- на патрубок подачи холодной воды или на сливной вентиль надеть резиновый шланг, направив второй его конец в канализацию;
- открыть кран горячей воды на смесителе и слить воду из ЭВН через шланг в канализацию;
- снять защитную крышку, отключить провода, отвинтить и извлечь из корпуса опорный фланец;
- очистить при необходимости ТЭН от накипи и удалить осадок из бака;
- произвести сборку, заполнить ЭВН водой и включить питание.

В моделях, имеющих дренажный патрубок, достаточно перекрыть поступление холодной воды в ЭВН, открутить заглушку на дренажном патрубке и открыть кран горячей воды. После того, как вода сольется, можно открыть на некоторое время подачу холодной воды в ЭВН для дополнительной промывки бака.

При проведении технического обслуживания ЭВН силами специализированной организации в сервисном талоне должна быть сделана соответствующая отметка.

## 12. ВОЗМОЖНЫЕ НЕИСПРАВНОСТИ И МЕТОДЫ ИХ УСТРАНЕНИЯ.

Неисправность	Возможная причина	Способ устранения
Уменьшился напор горячей воды из ЭВН. Напор холодной воды прежний	Засорение впускного отверстия предохранительного клапана	Снять клапан и промыть его в воде
Увеличилось время нагрева	ТЭН покрылся слоем накипи	Извлечь фланец и очистить ТЭН
	Понижилось напряжение электросети	Обратиться в службу эксплуатации электросети
Частое срабатывание кнопки термовыключателя	Установленная температура близка к предельной	С помощью кнопки «Temperature» уменьшить температуру
	Трубка термостата покрылась накипью	Извлечь из ЭВН опорный фланец и аккуратно очистить трубку от накипи
ЭВН работает, но не нагревает воду	Вентиль (Рис. 1, п.8) не закрыт или вышел из строя	Закрыть или заменить вентиль (Рис. 1, п.8)
Включенный в электросеть ЭВН не нагревает воду. Отсутствует индикация на панели управления	1) отсутствует напряжение в электросети; 2) поврежден сетевой провод.	1) Проверьте наличие напряжения в электрической розетке; 2) Обратитесь в специализированный сервисный центр.

Вышеперечисленные неисправности не являются дефектами ЭВН и устраняются потребителем самостоятельно или за его счет.

**Рисунок 3. Схема расположения кнопки термовыключателя**



В случае возникновения внутренней неисправности, когда водонагреватель выключен, индикатор аварийной сигнализации «Alarm» отправит сигнал тревоги. Информация по сигналам приведена в таблице ниже:

Индикация	Возможная причина	Способ устранения
Индикатор все время горит	Температура воды превысила 88 °С	Выключить и снова включить ЭВН от сети, и когда температура воды станет меньше 88 °С, индикация прекратится
Индикатор мигает (частота 1 секунда)	Термостат неисправен	Обратитесь в сервисный центр для замены термостата
Индикатор мигает (частота 4 секунды)	Внутри бака нет воды, а нагревательный элемент включен	Убедитесь, что бак заполнен водой. Обратитесь в сервисный центр для замены нагревательного элемента, если нагревательный элемент перегорел

### 13. ТРАНСПОРТИРОВКА И ХРАНЕНИЕ ЭЛЕКТРОВОДОНАГРЕВАТЕЛЕЙ

Транспортировка и хранение электроводонагревателей осуществляется в соответствии с манипуляционными знаками на упаковке:



– Необходимость защиты груза от воздействия влаги



– Хрупкость груза, условие осторожного обращения



– Рекомендованный температурный диапазон хранения груза: от +10°C до +20°C



– Правильное вертикальное положение груза;

### 14. УТИЛИЗАЦИЯ

При соблюдении правил установки, эксплуатации, технического обслуживания ЭВН и соответствии качества используемой воды действующим стандартам изготовитель устанавливает срок службы ЭВН 9 лет.

При утилизации ЭВН необходимо соблюдать местные экологические законы и рекомендации.

Изготовитель оставляет за собой право на внесение изменений в конструкцию и характеристики ЭВН без предварительного уведомления.



Изготовитель устанавливает срок гарантии на водонагреватель 2 года, при этом сроки гарантии на составные части и комплектующие изделия следующие:

- на водосодержащую емкость (внутренний бак) - 5 лет;
- на прочие составные части (нагревательный элемент, термостат, лампочки-индикаторы, уплотнительные прокладки, индикатор температуры, предохранительный клапан) - 2 года.

Срок гарантии исчисляется с даты продажи ЭВН. При отсутствии или исправлении даты продажи и штампа магазина срок гарантии исчисляется от даты выпуска ЭВН. Дата выпуска водонагревателя закодирована в уникальном серийном номере, расположенном на идентификационной табличке на корпусе ЭВН. Серийный номер ЭВН состоит из тринадцати цифр. Третья и четвертая цифра серийного номера - год выпуска, пятая и шестая - месяц выпуска, седьмая и восьмая - день выпуска ЭВН. Претензии в период срока гарантии принимаются при наличии данного руководства с отметками фирмы-продавца и идентификационной таблички на корпусе ЭВН.

Гарантия распространяется только на ЭВН. Неисправность предохранительного клапана или шнура питания не влекут за собой замену ЭВН. Ответственность за соблюдение правил установки и подключения лежит на покупателе (в случае самостоятельного подключения) либо на монтажной организации, осуществившей подключение.

Периодическое проведение технического обслуживания и своевременная замена магниевого анода является обязательным условием для долговременной работы ЭВН и сохранения гарантийных обязательств завода-изготовителя.

Первая замена магниевого анода должна быть произведена не позднее 25-го месяца с даты установки ЭВН (при отсутствии отметки об установке с печатью монтажной организации в гарантийном талоне, срок исчисляется с даты производства аппарата). В дальнейшем магниевый анод необходимо заменять не реже одного раза в год. Замена анода должна сопровождаться отметкой и печатью сервисной организации в гарантийном талоне изделия.

При установке и эксплуатации ЭВН потребитель обязан соблюдать требования, обеспечивающие безотказную работу прибора в течение срока гарантии:

- выполнять меры безопасности и правила установки, подключения, эксплуатации и обслуживания, изложенные в настоящем руководстве;
- исключить механические повреждения от небрежного хранения, транспортировки и монтажа;
- исключить замерзание воды в ЭВН;
- использовать для нагрева в ЭВН воду без механических и химических примесей (см. п. 5);
- эксплуатировать ЭВН с исправно работающим предохранительным клапаном из комплекта поставки ЭВН (см. п. 5).

Изготовитель не несет ответственность за недостатки, возникшие вследствие нарушения потребителем правил установки, эксплуатации и технического обслуживания ЭВН, изложенных в настоящем руководстве, в т.ч. в случаях, когда эти

**RU**

недостатки возникли из-за недопустимых параметров сетей (электрической и водоснабжения), в которых эксплуатируется ЭВН, и вследствие вмешательства третьих лиц. На претензии по внешнему виду ЭВН гарантия изготовителя не распространяется.

Ремонт, замена составных частей и комплектующих в пределах срока гарантии не продлевают срок гарантии на ЭВН в целом. Срок гарантии на замененные или отремонтированные комплектующие составляет один месяц.

## **16. СВЕДЕНИЯ ОБ ИЗГОТОВИТЕЛЕ**

### **Изготовитель:**

THERMEX heating Technology (Jiangmen) CO., Ltd

No. 51, Jianshedonglu, Taoyuan town, Heshan City, Guangdong Province, PRC



**Все модели прошли обязательную сертификацию и соответствуют требованиям Европейских директив 2006/95/ЕС, 2004/108/ЕС.**

## 17. ОТМЕТКА О ПРОДАЖЕ

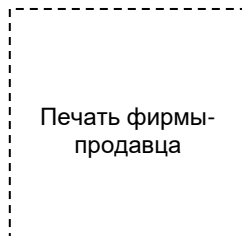
RU

Модель \_\_\_\_\_ Серийный № \_\_\_\_\_

Дата продажи « \_\_\_\_\_ » \_\_\_\_\_ 20 \_\_\_\_\_ г.

Фирма-продавец: \_\_\_\_\_

Подпись представителя  
фирмы-продавца \_\_\_\_\_



Изделие укомплектовано, к внешнему виду изделия претензий не имею. Руководство по эксплуатации с необходимыми отметками получил, с правилами эксплуатации и условиями гарантии ознакомлен и согласен.

Подпись покупателя: \_\_\_\_\_



**Pirms ūdens sildītāja pirmas lietošanas lūdzam rūpīgi izlasīt šo lietošanas instrukciju.**

## CIENĪJAMĀS KLIENTS!

Paldies, ka iegādājāties ūdens sildītāju THERMEX. Mēs esam pārliecināti, ka mūsu plašs elektrisko ūdens sildītāju klasts apmierina jebkādas Jūsu prasības. Modernu tehnoloģiju un augstākas kvalitātes materiālu lietošana ierīces izgatavojot noteica tirdzniecības zīmes THERMEX popularitāti un uzticamību.

Ūdens sildītāji THERMEX ir izstrādāti un ražoti saskaņā ar stingrākajiem starptautiskiem standartiem, kas nodrošina ekspluatatīvo drošumu un lietošanas drošību.

Šī instrukcija piemērota THERMEX sērijas: IF 30 (smart), IF 50 (smart), IF 80 (smart), IF 100 (smart). Jūsu ūdens sildītāja pilnais nosaukums norādīts daļā „Atzīme par pārdošanu” un uz identifikācijas uzlīmes, kas atrodas uz ūdens sildītāja korpusa.

## FUNKCIONĀLAIS PIELIETOJUMS

Ūdens sildītājs (turpmāk – EŪS) ir paredzēts, lai nodrošinātu ar karsto ūdeni sadzīves un rūpniecības objektus, kam ir auksts ūdensvads ar nepieciešamiem parametriem.

EŪS ir jālieto aizvērtās apsildāmas telpās un nav paredzēts lietošanai nepārtrauktā caurplūdes režīmā.

Ūdens sildītājs (turpmāk - EŪS) ir paredzēts, lai nodrošinātu ar karsto ūdeni sadzīves un rūpniecības objektus, kam ir auksts ūdensvads ar spiedienu ne mēzāku par 0,05 MPa un ne lielāku par 0,7 MPa.

## IEPAKOJUMA SATURS

11. Ūdens sildītājs .....	1 gab.
12. Drošības vārsts GP .....	1 gab.
13. Lietošanas instrukcija.....	1 gab.
14. Iepakojums.....	1 gab.
15. Enkuru komplekts EŪS uzstādīšanai .....	1 komplekts

## GALVENIE TEHNISKIE RAKSTUROJUMI

EŪS padeves spriegums nevar pārsniegt 230 V  $\pm$ 10%. Barošanas elektrotīkla frekvences augšējā robeža 50 Hz  $\pm$  1 %. Iekšējās tvertnes tilpums un sildītāja jauda norādīta uz identifikācijas uzlīmes, kas novietota uz iekārtu korpusa. Ūdens ieplūdes-izplūdes cauruļu diametrs ir G1/2".

Ražotājs patur sev tiesības bez brīdinājuma mainīt ūdens sildītāja komplektāciju, konstrukciju un parametrus.

Marķējums	Vidējs sildīšanas laiks $\Delta T=45^{\circ}\text{C}$ jauda 2,0 kW
IF 30 (smart)	39 min.
IF 50 (smart)	1 stunda 06 min.
IF 80 (smart)	1 stunda 45 min.
IF 100 (smart)	2 stunda 12 min.

## APRAKSTS UN DARBĪBAS PRINCIPS

EŪS ārējais korpuss izgatavots no triecienizturīgas plastmasas. Iekšējās tvertnes ir pārklātas ar speciālo pārklājumu – biostiklu porcelānu, kas droši aizsargā iekšējo virsmu pret ķīmisko koroziju. Telpa starp ārējo korpusu un iekšējo tvertni aizpildīta ar putupoliuretānu – mūsdienu, ekoloģiski tīru siltumizolāciju, kam ir vislabākie siltuma saglabāšanas parametri. IF/IF (pro) modeļiem ir divas viņņotājas īscaurules: viena ar zīlo gredzenu aukstā ūdens ieplūdei (Att. 1 p. 3) un otra ar sarkano gredzenu karstā ūdens izplūdei (Att. 1, p.2), tie ir aprīkoti ar papildu drenu cauruli (aizslēgta ar metāla plāksni), lai nolaidītu ūdeni un skalotu iekšējo tvertni (Att. 1, p. 17). Vadības panelis visiem modeļiem ir izvietots EŪS priekšpusē (Att. 1, p. 16).

Uz noņemama atloka ir uzmontēti cauruļu elektrosildītāji (CES), termostata sensori un termoslēdzis. CES ir paredzēts ūdens sildīšanai un regulējams ar termostatu, kuram ir plūstoša regulēšana līdz  $+75^{\circ}\text{C}$ . Visiem modeļiem ir elektroniskā vadība un skārienjūtīgā regulēšana. Elektronika uztur temperatūru līmenī, ko iestādījis lietotājs. Termoslēdzis ir paredzēts, lai noverstu EŪS pārkaršanu, un izslēdz CES no elektrotīkla, ja ūdens temperatūra pārsniedz  $+95^{\circ}\text{C}$  (Att. 3).

Drošības vārsts (Att. 1, p. 5) funkcionē kā pretvārsts, kavējot ūdens nokļūšanu no ūdens sildītāja ūdensvada tīklā, ja tajā nokrita spiediens, kā arī ja tvertnē paaugstina spiediens, sasildinot ūdeni. Tas funkcionē arī kā drošības vārsts, samazinājot virsspiedienu tvertnē, ja ūdens ir ļoti uzkaršēts. Ūdens sildītāja lietošanas laikā ūdens var sūkties caur drošības vārsta izplūdes cauruli, lai samazinātu virsspiedienu, kas nepieciešams ūdens sildītāja drošībai. Šī izplūdes caurule jābūt atklāta un uzstādīta uz lēju un neaizsalstošajā vidē.

Nepieciešams nodrošināt ūdens noplūdi no drošības vārsta izplūdes cauruli (1.att., p. 14) kanalizācijā, paredzot atbilstošu drenāžas sistēmu, veicot EŪS montāžu (1. att. p.6).

Nepieciešams regulāri (ne mazāk kā vienu reizi mēnesī) izplūst ūdeni mazā daudzumā kanalizācijā, lai noverstu katlakmeņa nogulsnes un lar pārbaudītu vārsta darbību. Lai atvērtu vārstu, tas aprīkots ar rokturi (1. att. p.15). Jāievēro, ka ūdens sildītāja lietošanas laikā šis rokturis būtu stāvoklī, kas neļauj ūdens izplūdesānu no tvertnes.

## DROŠĪBAS NOTEIKUMI

Ražotājs garantē EŪS elektrodrošību tikai, ja EŪS tiek efektīvi iezemēts saskaņā ar spēkā esošiem elektroiekārtas montāža noteikumiem.

Sanitārtehniskajam pievadam un noslēgarmatūrai jāatbilst ūdensvada tīkla datiem un tiem jābūt nepieciešami kvalitātes sertifikāti.

EŪS montāžas un lietošanas laikā aizlēgts:

- pieslēgt pie elektrotīkla, ja EŪS nav piepildīts ar ūdeni;
- noņemt aizsargvāku, ja EŪS ir pieslēgts pie elektrotīkla;
- lietot EŪS bez iezemējuma vai izmantot ūdensvada cauruli ka iezemējumu;
- pieslēgt EŪS pie ūdensapgādes tīkla ar spiedienu, kas lielāks par 0,7 MPa;
- pieslēgt EŪS pie ūdensapgādes tīkla bez drošības vārsta;
- nolaist ūdeni no EŪS, ja tas ir pieslēgts pie elektrotīkla;
- izmantot rezerves daļas, kuras nav ieteicis ražotājs;
- izmantot ūdeni no EŪS ēdiena pagatavošanai;
- izmantot ūdeni, kurā ir mehāniskie piejaukumi (smilts, mazi akmeņi), kas var traucēt EŪS un drošības vārsta darbību;
- izmainīt konstrukciju un EŪS uzstādīšanas kronšteinu izmērus.

Apkārtējas vides temperatūrai, kurā tiek ekspluatēts ūdens sildītājs, jābūt no 3°C līdz 40°C. Ūdens sasalšana EŪS var sabojāt iekārtu un tas nav garantijas gadījums..



**Nedrīkst ļaut bērniem rotalāties ar EŪS. EŪS nav paredzēts izmantošanai personām ar fiziskās vai garīgas attīstības traucējumiem (tai skaitā arī bērniem), kā arī personām bez pieredzes un zināšanām, ja vien tos neuzrauga vau nesniedz norādījumus persona, kas atbildīgs par EŪS drošību.**

## UZSTĀDĪŠANA UN PIESLĒGŠANA

Visas montāžas, sanitārtehniskos un elektromontāžas darbus veic kvalificēta persona.

## NOVIETOŠANA UN UZSTĀDĪŠANA

Uzstādot ūdens sildītāju, jāievēro marķejumus, kas norādīti uz EŪS korpusa un šādā tabulā:

Marķējums	Uzstādīšana
IF 30 (smart)	vertikāli, īscaurules uz lēju; horizontāli, īscaurules uz kreiso
IF 50 (smart)	
IF 80 (smart)	
IF 100 (smart)	

Tiek rekomendēts uzstādīt EŪS maksimāli tuvu no tās vietas, kur ir izmantots karsts ūdens, lai samazinātu siltuma zudumu caurulēs.

Urbjot caurumus sienā, nepieciešams ievērot sienās ievietoti kabeli, kanāli un caurules. Izvelējot montāžas vietu, nepieciešams ievērot ar ūdens piepildītā EŪS kopsvaru. Ja sienai un grīdai ir maza vestspēja, tās ir jānostiprinā atiecīgi.

EŪS tiek piekārts uz sienas ar kronšteinu uz āķīšiem, kas ir iestiprināti sienā. Āķu uzstādīšana sienā ir jāizslēdz jebkāda veida EŪS spontānu pārvietojumu uz kronšteinu.

Lai veiktu EŪS apkalpošanu, attālums starp aizsargvāku un tuvojošam virsmam noņemamā atloka asa virzienā jābūt ne mazāk par 30 cm visiem modeļiem.



Lai izvairītos no kaitējuma radīšanas lietotāja un (vai) trešajā persona īpašuma gadījumā, ja rodas bojājumi karstā ūdens apgādes sistēmā, ir nepieciešams veikt EŪS uzstādīšanu tādās telpās, kurām ir grīdu hidroizolācija un kanalizācijas drenāža, un nekādā gadījumā nenovietot zem EŪS priekšmetus, kas ir pakļauti ūdens iedarbībai. Ja EŪS tiek novietots telpās, kas nav aizsargātas, ir nepieciešams zem EŪS uzstādīt aizsargājošu padonu (nav iekļauts piegādes komplektā) ar drenāžu kanalizācijā.

Gadījumā, ja EŪS novieto vietās, kas ir grūti sasniedzamas, lai veiktu iekārtas tehnisko apkalpošanu un garantijas apkalpošanu (skapju augšas, nišas, starpgriestu vietas utt.), tad EŪS montāžu un demontāžu veic pats lietotājs, vai arī tas tiek veikts uz viņa rēķina.

Piezīme: aizsargājošais padons nav iekļauts EŪS komplektā.

### PIESLĒGŠANA PIE ŪDENSAPGĀDES TĪKLA

Uzstādīt drošības vārstu (Att. 1, p. 5) uz aukstā ūdens ieejas (Att. 1, p. 321), kas ir apzīmēts ar zilās krāsas gredzentiņu, uz 3,5 - 4 apgriezieniem, nodrošinot savienojuma hermētiskumu ar jebkuru ūdensizolējošu materiālu (linu, lentu FUM u.c.).

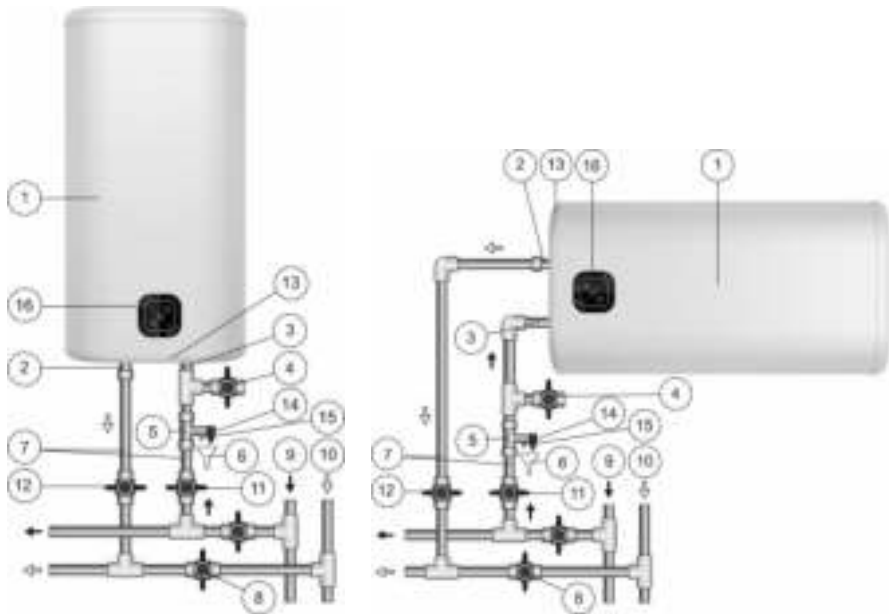


**Aizliegts ekspluatēt ūdens sildītāju bez drošības vārsta vai izmantojot citu ražotāju vārstu.**

Ūdens sildītāja ekspluatācijas laikā ūdens var sūkties cauri no drošības vārsta drenāžas „knābja” (lai samazinātu virsspiedienu, kas nepieciešams ūdens sildītāja drošības nolūkam). Tiek rekomendēts pievienot pie drenāžas „knābja” pievienot gumijas vai silikona šļūteni ar atbilstošu diametru ūdens novadīšanai.

Pieslēgšana pie ūdensapgādes sistēmas tiek veikta saskaņā ar att. 1, izmantojot vara, metālplastmasas vai plastmasas caurules, kā arī specīalo lokano caurules. Aizliegts izmantot lokanu cauruli, kas jau bija lietošanā. Tiek rekomendēts piegādāt ūdeni ūdens sildītājam, izmantojot filtru – dubļu uztvērēju, kas jāizvieto aukstā ūdens maģistrālē (nav iekļauts komplektācijā).

## Attēls 1. EŪS pieslēgšana pie ūdensapgādes tīkla



**Attēls 1:** 1 – EŪS, 2 – karstā ūdens caurule, 3 – aukstā ūdens caurule, 4 – izlaišanas vārsts, 5 – drošības vārsts, 6 – drenāžas sistēmas kanalizācijā, 7 - pievade, 8 – aizvērt vārstu EŪS ekspluatācijas laikā, 9 – aukstā ūdens maģistrāle 10 – karstā ūdens maģistrāle, 11 – aukstā ūdens slēgvārsts, 13 – aizsargvāks, 14 – drošības vārsta izplūdes caurule, 15 – drošības vārsta atslēdzēšanas rokturis, 16 vadības panelis.

Pēc pieslēgšanas atveriet aukstā ūdens padeves ventīli EŪS (1. att. p. 11), karstā ūdens izplūdes no EŪS ventīli (1. att. p. 12) un karstā ūdens krānu, lai nodrošinātu gaisa noplūdi no ūdens sildītāja. Kad EŪS būs pilnībā piepildīts no krana jaucējā, tad ar nepārtrauktu strūklu sāks tecēt ūdens. Aizvīriet karstā ūdens krānu jaucējā.

Pieslēdzot EŪS vietās, kurās nav aprīkotas ar ūdens apgādes sistēmu, pastāv iespēja piegādāt ūdeni EŪS no papildus tvertnēm, kas ir novietota augstumā, kas nav mazāks par 5 metriem no augšējās EŪS virsmas, vai arī izmantojot sūkni.

Piezīme: lai vienkāršotu ūdens sildītāja apkalpošanu rekomendē uzstādīt izplūdes vārstu (1. att. p. 4) saskaņā ar 1. attēlu (modeļiem, kas nav aprīkoti ar izplūdes cauruli (nav iekļauta ūdens sildītāja iepakojuma saturā)).

Ja spiediens ūdensvada maģistrālē pārsniedz 0,7 Mpa, tad aukstā ūdens ieplūdes vietā pirms drošības vārsta (ūdens virzienā) jāvietojas redukcijas vārsts (nav iekļauts ūdens sildītāja iepakojuma saturā), lai samazinātu ūdens spiedienu līdz normālajam.



## PIESLĒGŠANAS PIE ELEKTROTĪKLA



**Pirms pieslēgt EŪS pie elektrotīkla, pārlicinieties, ka EŪS ir piepildīts ar ūdeni.**

Ūdens sildītājs ir aprikots ar elektrotīkla vadu un kontaktdakšīņu.

Elektroligzdai ir jābūt zemējums kontakts, kam klāt ir pievilkts zemējuma vads, un tai ir jābūt uzstādītai vietā, kas ir aizsargāta no mitruma.

Ierīces jauda ir 2000 W. Kontaktligzdai un elektroinstalācija jābūt vismaz ar nominālo jaudu 2000 W.

Ielieciet elektrības dakšīņu kontaktligzdā.

## EKSPLUATĀCIJA

### Attēls 2. Elektroniskais panelis



**Attēls 2:** 1 – ieslēgšanas/izslēgšanas poga «On/Off», 2 – sildīšanas temperatūras palielināšanas/samazināšanas poga «Temperature», 3 – sildīšanas temperatūras indikatori (55°C, 65°C, 75°C), 4 – gudra „Smart” režīma poga 5 – avarijas signalizācijas indikators «Alarm».

EŪS jāieslēdz/jāizslēdz ar „On/Off” pogu, kas izvietota vadības panelī (Att. 2, punkts 1).

Ekspluatējot EŪS, patērētājs var regulēt sildīšanas temperatūru ar pogu «Temperature» (Att. 2, punkts). Kā mērķtemperatūru var izmantot šādas vērtības: 55°C, 65°C, 75°C (Att. 2, punkts 3). Izvēlojot temperatūru, sildīšanas temperatūras indikators mirdz piecas reizes, pēc tam tas būs darba stavoklī. Ja temperatūra ir mazāka par doto temperatūru, EŪS sasilda ūdeni un sildīšanas temperatūras indikators mirdz. Kad ūdens temperatūra sasniedz dotu, sildīšanas temperatūras indikators deg pastāvīgi. Ieslēdzot ūdens sildītāju, mērķtemperatūra pēc ieklausējuma ir 65 °C.

Ar gudra „Smart” režīma pogu (Att. 2 punkts 4) var ieslēgt EŪS intelektuālo režīmu. Šā režīma darba laikā EŪS var studēt un ierakstīt patērētāja paradumu attiecīgi karsta ūdens lietošanai un iepriekš sagatavot karsto ūdeni nākamajam ūdens ciklam (viens cikls ir 7 dienas). Laikā, kad patērētājam nevajag karsto ūdeni, EŪS uzturē minimālo ūdens temperatūru. Tas ļauj sasniegt komfortu un enerģijas taupību. Šis režīms

piemērojams patērētājam, kas regulāri lieto karsto ūdeni. Lai ieslēgtu šo režīmu, nospiediet „Smart” režīma pogu. Lai izslēgtu režīmu, atkal nospiediet šo pogu vai izslēdziet EŪS.

Pretsasalšanas aizsardzības režīms „NO FROST”. Ja EŪS ir pieslēgts tīklam, bet izslēgts ar pogu „On/Off” un ūdens temperatūra ir mazāka par 5 °C, automatiski ieslēdzas aizsardzības režīms pret sasalšanas. Kad temperatūra atkal sasniedz 10°C, pretsasalšanas aizsardzības režīms automatiski izslēdzas. Ieslēdzot pretsasalšanas aizsardzības režīmu, iedeg indikator.

Ja Jūs nelieto EŪS ziemas laikā un ir iespējams, ka ūdens tīklos un pats ūdens sildītājs sasilst, vēlams atslēgt ūdens sildītāju no tīkla un noliet ūdeni no EŪS, lai izvairītos no iekšējās tvertnes bojājumem.

## TEHNISKĀ APKALPOŠANA

Regulāra tehniskās apkopes veikšana un savlaicīgā magnija anoda mainīšana pagarina ūdens sildītāju ekspluatācijas termiņu. Šo noteikumu nepildīšana var būt par pamatu, lai noņemtu EŪS no garantijas apkalpošanas. Ražotāja garantijas neattiecas uz tehnisko apkopi un magnija anoda mainīšanu.

Veicot TA, tiek pārbaudīts magnija anoda stāvoklis, kā arī tiek pārbaudīta nogulšņu esamība CES. Vienlaicīgi ar šo izdalītas nogulsnes, kas var uzkrāties EŪS apakšējā daļā.

Magnija anodu ir nepieciešams nomainīt ne retāk kā vienu reizi divos gados. Ja ūdens satur ķīmiskos piejaukumus lielā daudzumā, tad magnija anodu jāmaina biežāk. Nogulsnes izveidošana CES var bojāt to, kas nav garantijas gadījums. Ražotāja un pārdevēja garantija neattiecas uz tā mainīšanu. Ja uz CES ir izveidojušās nogulsnes, tad to var likvidēt ar speciālajiem līdzekļiem vai arī mehāniskā veidā. Likvidējot nogulsnes, nevajag pielietot pārlieku lielu spēku un izmantot abrazīvas tīrīšanas līdzekļus, lai nesabojātu iekšējās tvertnes aizsargsegumu.

Pirmas tehniskās apkopes svarīgums noslēdzta tajā, ka pēc nogulšņu veidošanas intensitātes un magnija anoda stāvokļa var noteikt nakāmo TA veikšanas laiku un līdz ar to pagarināt EŪS ekspluatācijas laiku. Ja nepilda visas iepriekš minētas prasības, tad EŪS lietošanas periods samazināsies, kā arī palielinās risks, ka EŪS radīsies bojājumi un tas zūd garantijas apkalpošanas nosacījumi.



### **Nogulsnes izveidošana uz CES var izraisīt tā bojājumu.**

Piezīme: Garantija neattiecas uz CES bojājumiem nogulsnes izveidošanas dēļ. Regulāra tehniskā apkope nav iekļauta ražotāja un pārdevēja garantijā.

Lai veiktu TA, nepieciešams veikt sekojošo:

- Atslēgt EŪS no elektrotīkla;
- laut atdzist karstajam ūdenim vai izlietot to caur sajaucēju;
- aizslēgt auksta ūdens padevi EŪS;
- atskrūvēt drošības vārstu, vai arī atvērt izplūdes vārstu;
- uz caurules, kas padod auksto ūdeni, vai arī uz izplūdes vārsta uzvilkt gumijas šļūteni, tā otru galu novadot kanalizācijā;

- atvērt karstā ūdens vārstu sajaucējā un izliet ūdeni no EŪS caur šļūtenes kanalizācijā;
- noņemt aizsargvāku, atvienot kabelus un izņemt balstatloku;
- ja nepieciešams, attīrīt CES no katlakmens nogulsnēm un mazgāt tvertni;
- salikt visu atpakaļ, piepildīt EŪS ar ūdeni un ieslēgt elektrotīklu.

Modeļos, kas aprīkoti ar drenāžas cauruli, būs pietiekams aizvērt aukstā ūdens padevi EŪS, atskrūvēt plāksni no drenāžas caurules un atvērt karstā ūdens krānu. Pēc tam, kas ūdens izplūdas, var atvērt aukstā ūdens krānu uz neilgu laiku papildu tvertnes skalošanai.

Ja tehnisko apkopi veic specializētas organizācijas darbinieki, servisa talonā jāizdara atbilstošu atzīmi.

### IESPĒJAMIE BOJĀJUMI UN TO NOVERŠANAS METODES

Bojājums	Iespējams iemesls	Novēršanas metode
Pazeminājās karstā ūdens spiediens no EŪS. Aukstā ūdens spiediens ir nemainīgs.	Drošības vārsta ieejas atvēruma aizsērēšanās	Noņem vārstu un nomazgāt to ar ūdeni.
Palielinājies ūdens uzsildīšanās laiks	CES ir pārklājusies ar nogulšņu slāni	Извлечь фланец и очистить ТЭН
	Pazeminājās elektrotīkla spriegums	Griezties elektrotīkla lietošanas servisā
Bieži nostrādā termoaizsardzības poga	Uzstādītā temperatūra ir tuva maksimumam	С помощью кнопки «Температура» уменьшить температуру
	Termostata caurulīte ir pārklājusies ar nogulsnēm	Noņem vārstu no EŪS noņemamo atloku un uzmanīgi attīrīt caurulīti no nogulsnēm
Ieslēgts elektrotīklā EŪS nesilda ūdeni	Vārsts (Att. 1, p. 8) nav aizslēgts vai sabojāts	Aizslēgt vai nomainīt vārstu (1.att, p. 8)
Ieslēgts EŪS nesilda ūdeni. Kontroles lampiņa nedeg.	1) elektrotīkla nav spiediena; 2) elektrotīkla kabelis sabojāts.	1) pārbaudīt spriegumu elektrolīgdzīvē; 2) sazināties ar specializēto atbalsta dienestu.

Iepriekš minēti bojājumi nav EŪS defekti un tie jānovērš patērētājam vai uz viņa rēķina.

### 3. attēls. Termoslēdzēja poga novietošanas



Ja ierodas iekšējais bojājums, kad ūdens sildītājs ir izslēgts, avarijas signalizācijas indikators „Alarm” cels trauksmi. Informācija par trauksmes signālu norādīta tabulā:

Indikācija	Iespējams bojājuma cēlonis	Atklūdošana
Indikators deg visu laiku	Temperatūra pārsniedza 88 °C	Atslēgt EŪS no tīkla un atkal pieslēgt to tīklam un kad temperatūra būs mazāka par 88 °C, indikators nodzisis
Indikators mirdz (frekvence 1 sekunde)	Termostats ir bojāts	Vērsties pie servisa centra termostata mainīšanai
Indikators mirdz (frekvence 4 sekundes)	Tvertne nav ūdens, bet sildelements ir ieslēgts	Pārbaudiet, lai tvertne būtu pilna. Vērsties pie servisa centra sildelementa mainīšanai, ja sildelements pārdega

### ŪDENS SILDĪTĀJA TRANSPORTĒŠANA UN GLABĀŠANA

Elektrisko ūdens sildītāju transportēšana un glabāšana tiek veikta atbilstoši manipulācijas atzīmēm, norādītas uz iepakojuma:



— Aizsargāt no mitruma



— Trausla krava, rīkoties saudzīgi



— Rekomendēts glabāšanas temperatūras diapazons: от +10°C до +20°C



— Pareizs vertikālais stāvoklis

### UTULIZĒŠANA

Ievērojot uzstādīšanas, lietošanas un tehiskas apkopes noteikumus un ja dens klavitāte atbilst spēkā esošiem standartiem, ražotājs nosaka garantijas termiņu uz 9 gadi kopš pārdošanas datuma.

Utilizējot ūdens sildītāju jāievēro vietējie ekoloģijas likumi un prasības.

Ražotājs patur sev tiesības bez brīdinājuma mainīt ūdens sildītāja konstrukciju un parametrus.

### RAŽOTĀJA GARANTĪJA

Ražotājs nosaka garantijas derīguma termiņu ūdens sildītājam uz 2 gadiem bet to sastāvdaļām un komplektā iekļautajām daļām periodi ir šādi:

- ūdens glabāšanas tvertnei (iekšējā tvertne) - 5 gadi;
- citām sastāvdaļām (uzsildīšanas elements, termostats, indikatora lampiņas, blīvējuma starplikas, temperatūras indikators, drošības vārsts) - 2 gadi.

Garantijas derīguma termiņš tiek sākts skaitīt no EŪS pārdošanas datuma. Ja nav norādīts pārdošanas datums un veikala zīmogs, tad garantijas derīguma termiņš tiek noteikts no EŪS ražošanas brīža. Ūdens sildītāja ražošanas datums tiek sifrēts unikālajā serijas numurā, kas noveitots uz identifikācijas uzlīmes uz iekārtas koprusa. EUS serijas numurs iekļauts 13 ciparus. Trešais un ceturtais cipars nozīmē ražošanas gadu, piektais un sestais – ražošanas mēnesis, septītais un astotais – ūdens sildītāja ražošanas diena. Visas pretenzijas tiek pieņemtas tādā gadījumā, ja ir garantijas talons ar pārdevēja atzīmēm un ja uz EŪS korpusa ir identifikācijas uzlīme.

Garantija attiecas tikai uz EŪS. Drošības vārsta vai kabeļa bojājums nav iemesls ūdens sildītāja nomainīšanai. Atbildību par iekārtas uzstādīšanu un pieslēgšanu uzņemas pircējs (ja viņš pats pieslēdza iekārtu) vai montāžas organizācija, kas veica pieslēgšanu.

Regulāra tehniskās apkopes veikšana un savlaicīgā magnija anoda mainīšana pagarina ūdens sildītāju ekspluatācijas termiņu. Šo noteikumu nepildīšana var būt par pamatu, lai noņemtu EŪS no garantijas apkalpošanas.

Magnija anoda mainīšana tiek veikta ne vēlāk kā 25. mēnesī no EŪS uzstādīšanas datuma (ja garantijas talonā nav uzstādīšanas atzīmes ar montāža organizācijas zīmogu, tad termiņš jāskaita no iekārtas ražošanas datuma). Turpmāk magnija anodu nepieciešams mainīt vismaz vienu reizi gadā. Par anoda mainīšanu jāizdara atzīme garantijas talonā, uzliekot servisa kompānijas zīmogu.

Uzstādot un lietojot EŪS lietotājam ir jāievēro prasības, kas nodrošina stabilu darbību visa garantijas laika periodā:

- izpildīt uzstādīšanas, pieslēgšanas, lietošanas un apkalpošanas drošības pasākumus un noteikumus, kas ir izklastīti šajā lietošanas instrukcijā.
- sargāt no mehāniskiem bojājumiem, kas radušies no nesaudzīgas glabāšanas, transportēšanas un montāžas
- nepieļaut ūdens sasalšanu EŪS
- lietot EŪS tikai tādu ūdeni, kam nav ne mehānisku ne ķīmisku piemaisījumu (sk. 5. punktu)
- lietot EŪS tikai ar komplektā iekļauto un pareizi strādājošu drošības vārstu (sk. 5. punktu).

Ražotājs nenes atbildību par kaitējumiem, kas radušies no lietotāja uzstādīšanas, lietošanas un tehniskās apkalpošanas noteikto noteikumu neievērošanas, kas ir norādīti šajā lietošanas pamācībā, tai skaitā arī gadījumos, kad šie trūkumi radušies no tīkla nepieļaujamiem parametriem (elektriskie un ūdens apgāde), kuros tiek lietots EŪS, un seko trešo personu iejaukšanās. Ražotāja garantija neattiecas uz pretenzijām par EŪS ārējo izskatu.

Remonts, sastāvdaļu un komplektdaļu nomaiņa, kas tika veikta garantijas perioda laikā, neietekmē un nepagarina EŪS kopējo garantijas laiku, pie tam nomainīto un atremontēto komplektējošo detaļu garantijas laiks izbeidzas EŪS kopējo garantijas laika izbeigšanas brīdī.

## INFORMĀCIJA PAR RAŽOTĀJU

**Ražotājs:**

THERMEX heating Technology (Jiangmen) CO., Ltd

No. 51, Jianshedonglu, Taoyuan town, Heshan City, Guangdong Province, PRC



**Visi modeļi ir sertificēti un atbilst Eiropas likumu prasībām 2006/95/EC, 2004/108/EC.**

## PĀRDOŠANAS ATZĪME

LV

Modelis \_\_\_\_\_ Sērijas Nr. \_\_\_\_\_

Pārdošanas datums « \_\_\_\_\_ » \_\_\_\_\_ 20 \_\_\_\_\_

Pārdevējs: \_\_\_\_\_

Pārdevēja

pārstāvja paraksts \_\_\_\_\_

Pārdevēja zīmogs

Prece ir nokomplektēta. Pretenzijas par izstrādājuma ārējo izskatu nav. Lietošanas pamācību ar nepieciešamajām atzīmēm esmu saņēmis/-usi. Ar lietošanas noteikumiem esmu iepazinies/-usies un tos pieņemu.

Pircēja paraksts: \_\_\_\_\_



**Prieš pradėdami naudotis elektriniu turiniu vandens šildytuvu atidžiai perskaitykite šią naudojimo instrukciją.**

## **GERBIAMAS PIRKĖJAU!**

Sveikiname Jus įsigijus elektrinį vandens šildytuvą THERMEX. Tikimės, kad platus mūsų elektrinių vandens šildytuvų parinkimas patenkins visus Jūsų poreikius. Modernių technologijų ir aukščiausios kokybės medžiagų gamyboje naudojimas nulėmė populiarumą ir patikimumą markiui THERMEX.

THERMEX elektriniai vandens šildytuvai suprojektuoti ir pagaminti griežtai laikantis vidaus ir tarptautinius standartus, kurie garantuoja patikimumą ir naudojimo saugumą.

Ši naudojimo instrukcija taikoma THERMEX modeliams: IF 30 (smart), IF 50 (smart), IF 80 (smart), IF 100 (smart) serijos. Įsigyto modelio pavadinimas nurodytas skyriuje „Pardavimo žymė“ ir identifikavimo lentelėje ant vandens šildytuvo korpuso.

## **PASKIRTIS**

Elektrinis vandens šildytuvas (toliau tekste EVŠ) skirtas karšto vandens gavimui buitiniams ir pramoniniams poreikiams, kur yra šalto vandens magistralė su reikalingais parametrais.

EVŠ eksploatavimas skirtas uždaroje apšildomose patalpose ir ne gali dirbti nepertraukiamo darbo režimu.

Elektrinis vandens šildytuvas (toliau tekste EVŠ), skirtas karšto vandens gavimui buitiniams ir pramoniniams poreikiams, kur yra šalto vandens magistralė su minimaliu slėgiu 0,05 MPa ir maksimaliu slėgiu 0,7 MPa

## **TIEKIMO KOMPLEKTAS**

16. Elektrinis vandens šildytuvas .....	1 vnt.
17. GP tipo apsauginis vožtuvas .....	1 vnt.
18. Naudojimo instrukcija .....	1 vnt.
19. Įpakavimas .....	1 vnt.
20. Ankeriu komplektas tvirtinimui .....	1 komplektas

## **PAGRINDINĖS TECHNINĖS CHARAKTERISTIKOS**

EVŠ maitinimo įtampa turi būti ne didesne kaip  $230\text{ V} \pm 10\%$ . Maitinimo tinklo dažnis  $50\text{ Hz} \pm 1\%$ . Vidinio bako tūris ir šildymo elemento galia yra nurodyti prietaiso korpuso identifikacinėje lentelėje. Vandens padavimo ir išleidimo vamzdžių sriegių skersmuo yra G1/2.

Gamintojas pasilieka teisę be išankstinio pranešimo keisti vandens šildytuvo komplektaciją, konstrukciją ir charakteristikas.



Modelis	Vidutinis šildymo laikas $\Delta T=45^{\circ}\text{C}$ esant galimumui 2,0 kW
IF 30 (smart)	39 min.
IF 50 (smart)	1 val. 06 min.
IF 80 (smart)	1 val. 45 min.
IF 100 (smart)	2 val. 12 min.

## APRAŠYMAS IR EVŠ VEIKIMO PRINCIPAS

Išorinis EVŠ korpusas pagamintas iš smūgiams atsparaus plastiko. Vidinis bakas su bio stiklo porceliano padengimu, kuris patikimai apsaugo vidinį paviršių nuo cheminės korozijos. Erdvė tarp išorinio korpuso ir vidinio bako yra užpildyta poliuretano putomis - moderni, ekologiška izoliacija, kuri turi geriausias šilumos taupymo charakteristikas. Modeliai turi dvi srieginius vamzdžius: šalto vandens padavimo (Pav. 1, p. 3) su mėlynu žiedu ir karšto vandens išleidimo vamzdis (Pav. 1, p. 2) - su raudonu žiedu, ir įrengtas papildomas drenažo vamzdis (uždarytas metaliniu dangteliu), kad išleisti vandenį ir praplauti vidinį baką (Pav. 1, p. 17). EVŠ priekinėje pusėje visuose modeliuose yra valdymo panelė (Pav. 1, p. 16).

Ant nuimamų flanšų įmontuoti elektros vamzdiniai kaitintuvai (EVK) ir termostato ir temperatūros jungiklio jutikliai. EVK skirtas vandens pašildymui ir valdomas termostatu, kuris turi tolygų temperatūros reguliavimą iki  $75^{\circ}\text{C}$ . Visi modeliai turi sensorinį elektroninį valdymą. Elektronika automatiškai palaiko vandens temperatūrą vartotojo nustatyta lygyje. Temperatūros jungiklis skirtas apsaugoti EVŠ nuo perkaitimo ir išjungia EVK nuo tinklo, kai vandens temperatūra bus aukščiau negu  $+95^{\circ}\text{C}$  (Pav. 3).

Apsauginis vožtuvas (Pav. 1, p. 5) veikia kaip atbulinis vožtuvas, užkertant kelią vandens iš šildytuvo patekimą į vandentiekį krentant slėgiui vandentiekyje ir augant slėgiui bake kai vanduo įkaista, o taip pat, kaip apsauginis vožtuvas mažinant perteklinį slėgį bake kai vanduo stipriai įkaista. Vandens šildytuvo eksploatavimo metu vanduo gali ištekėti iš apsauginio vožtuvo išėjimo vamzdžio mažinant perteklinį slėgį, kas atsitinka dėl saugumo priežasčių. Tas išėjimo vamzdis turi išlikti atviras atmosferai ir turi būti įrengtas pastoviai žemyn.

Būtina užtikrinti vandens nuvedimą iš apsauginio vožtuvo išėjimo vamzdžio (Pav. 1, p. 14) į kanalizaciją, numatant EVŠ montavimo metu atitinkanti drenažą (Pav. 1, p. 6).

Reikia reguliariai (bent kartą per mėnesį) atlikti nedidelio vandens kiekio išpylimą per apsauginio vožtuvo išėjimo vamzdį į kanalizaciją, kad pašalinti kalkių nuosėdas ir patikrinti vožtuvo darbingumą. Vožtuvo atidarymui skirta rankenėlė (Pav. 1, p. 15). Reikėtų pasirūpinti, kad vandens šildytuvo darbo metu šita rankenėlė būtų padėtyje, uždarančioje vandens išpylimą iš bako.

## SAUGUMO PRIEMONĖS

EVŠ elektros saugumas garantuotas tik esant efektyviam įžeminimui, atliktam laikantis elektros instaliacijos taisyklės.

Santehnikos atvedimas ir uždromoji armatūra turi atitikti vandentiekio tinklą ir turėti reikiamus kokybės sertifikatus.

EVŠ montavimo ir eksploatavimo metu draudžiama:

- įjungti į elektros tinklą neužpildžius EVŠ vandeniui;
- nuimti apsauginį dangtį, jeigu vandens šildytuvas įjungtas į elektros tinklą;
- naudoti vandens šildytuvą be įžeminimo arba naudoti įžeminimui vamzdžius;
- prijungti EVŠ prie vandentiekio tinklo su slėgio didesniu nei 0,7 MPa;
- prijunti EVŠ prie vandentiekio be apsauginio vožtuvo.
- išleisti vandenį iš EVŠ, jeigu vandens šildytuvas įjungtas į elektros tinklą.
- naudoti keitimui atsargines detales, kurių Gamintojas nerekomendavo.
- naudoti vandenį iš vandens šildytuvo maisto paruošimui;
- naudoti vandenį, kur yra mechaninės priemaišos (smėlį, akmenys), kas gali sukelti EVŠ ir apsauginio vožtuvo gedimą;
- pakeisti konstrukcijos ir montavimo kronšteinų matmenys.

Aplinkos temperatūra, kurioje naudojamas EVŠ, turėtų būti nuo 3°C iki 40°C. Negalima leisti užšalti vandeniui šildytuve, nes jis veda prie jo gedimo, ir nėra garantinis atvejis.



**Reikėtų atkreipti vaikų dėmesį į tai, kad jie nežaistų su EVŠ. EVŠ neskirtas naudoti neįgaliems asmenims (įskaitant vaikus), kuriems būdingi sumažėję fiziniai, jutimo arba protiniai gebėjimai, taip pat asmenims, kurie nemoka naudotis EVŠ, išskyrus atvejus, kai tai įvyksta, prižiūrint, ar, pagal EVŠ saugos instrukcijas.**

## MONTAVIMAS IR PRIJUNGIMAS

Visus montavimo, santechnikos ir elektros tinklo darbus privalo vykdyti kvalifikuotas personalas.

## TALPINIMAS IR MONTAVIMAS

EVŠ montavimas vykdomas pagal ženklinimą ant korpuso ir sekančią lentelę:

Modelis	Talpinimas
IF 30 (smart)	vertikalus, vamzdžiai žemyn horizontalus montavimas, vamzdžiai į kairę
IF 50 (smart)	
IF 80 (smart)	
IF 100 (smart)	

EVŠ reikėtų įrengti kiek galima arčiau karšto vandens vartojimo vietų, kad šiluminiai nuostoliai vamzdžiuose būtų minimalūs.

Gręžiant (darant) skyles sienoje, reikėtų atsižvelgti į joje esančius kabelius, kanalus ir vamzdžius. Renkantis montavimo vietą reikėtų atsižvelgti į bendrą pripildyto vandens EVŠ svorį. Sienos ir grindys su silpna keliamąja galia turi būti atitinkamai sustiprinti.

EVŠ tvirtinamas už korpuso kronšteinus ant ankerių kablius, kurie tvirtinami sienoje. Kablių sienoje montavimas turėtų pašalinti spontanišką EVŠ kronšteinų judėjimą.

Dėl EVŠ aptarnavimo atstumas nuo apsauginio dangčio iki artimiausio paviršiaus nuimamo flanšo ašies kryptimi, turėtų būti ne mažiau kaip 0,3 metrų.



**Siekiant išvengti žalos vartotojo ir (ar) trečiųjų šalių turtui dėl netinkamo karšto vandens sistemos veikimo, būtina, kad EVŠ montavimas vyktų patalpose su grindų hidroizoliacija ir drenažu į kanalizaciją, ir jokia būdu po EVŠ negali būti daiktai veikiami vandeniu. Jei EVŠ montuojamas neapsaugotose patalpose po EVŠ būtina įdiegti apsauginį podugnį su drenažu į kanalizaciją.**

Tuo atveju, jei EVŠ montuojamas sunkiai prieinamosiose vietose tam, kad atlikti techninės priežiūros ir garantinio aptarnavimo darbus (antresolė, nišos, tarplubinėse tarpuose ir t.t.), EVŠ montavimą ir demontavimą, atlieka pats vartotojas arba, jo sąskaita.

Pastaba: apsauginis podugnis neįeina į EVŠ tiekimo komplektą.

### **PRIJUNGIMAS PRIE VANDENTIEKIO**

Nustatyti apsauginį vožtuvą (Pav. 1, p. 5) šalto vandens įėjime (Pav. 1, p. 3) - atvamzdis su mėlynu žiedu, pasukant 3,5 - 4 kartus, užtikrinant gerą sandarumą bet kokią sandarinimo medžiaga (linų, juosta FUM ir kt.).

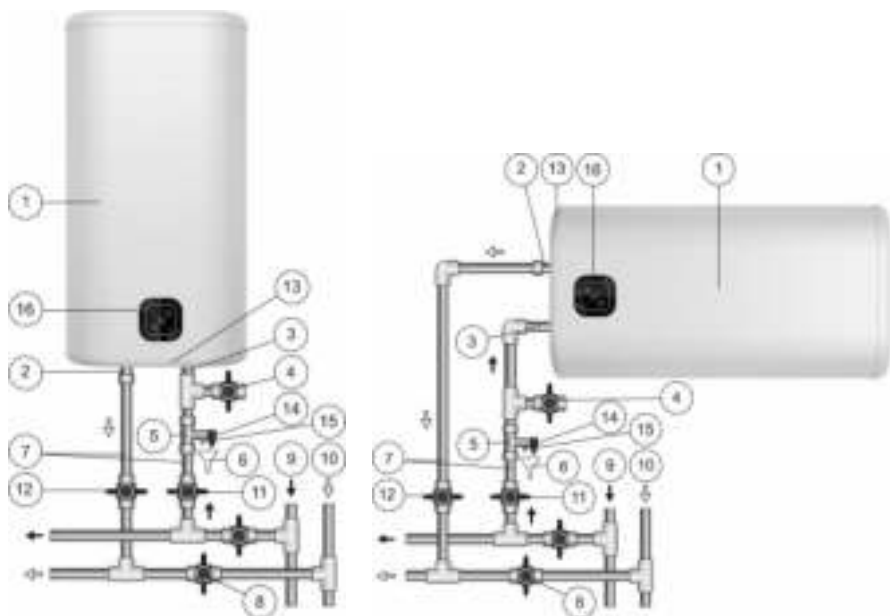


**Draudžiama naudotis EVŠ be apsauginio vožtuvo arba naudoti kitų gamintojų vožtuvus.**

Vandens šildytuvo eksploatavimo metu vanduo gali ištekėti iš apsauginio vožtuvo išėjimo vamzdžio (perteklinio slėgio mažinimas, kai vanduo kaista). Rekomenduojama prijungti prie nutekėjimo angos silikono arba guminį vamzdį tinkamo skersmens, kad pašalinti drėgmę.

Prijungimas prie vandentiekio sistemos vykdomas pagal Pav. 1 naudojant vario, metaloplastikinius vamzdžius arba plastikinius vamzdžius, o taip pat specialų lankstų santechnikos atvedimą. Nenaudokite lankstų atvedimą pakartotinai. Rekomenduojama paduoti į EVŠ vandenį per filtrą, sumontuotą šalto vandens magistralėje (neįeina į EVŠ tiekimo komplektą).

## Paveikslas 1. EVŠ prijungimo prie vandentiekio schema



**Paveikslas 1:** 1 – EVŠ, 2 – karšto vandens vamzdis, 3 – šalto vandens vamzdis, 4 – išleidimo ventilis, 5 – apsauginis vožtuvas, 6 – drenažas į kanalizaciją, 7 – atvedimas, 8 – uždaryti ventiliį naudojant EVŠ, 9 – šalto vandens magistralė, 10 – karšto vandens magistralė, 11 – šalto vandens išjungimo ventilis, 12 – karšto vandens išjungimo ventilis, 13 – apsauginis dangtelis, 14 – apsauginio vožtuvo išėjimo vamzdis, 15 – apsauginio vožtuvo atidarymo rankenėlė, 16 – valdymo panelė.

Atidarykite šalto vandens įleidimo vožtuvą į EVŠ (Pav. 1, p. 11), karšto vandens išeinamąjį vožtuvą iš EVŠ (Pav. 1, p. 12), karšto vandens išeinamąjį čiaupą ant maišytuvo, kad užtikrinti oro iš EVŠ ištekėjimą. Kai EVŠ bus pilnai užpildytas iš maišytuvo čiaupo tekės nuolatinis vandens srautas. Uždarykite karšto vandens čiaupą ant maišytuvo.

Jungiant EVŠ vietose, kur nėra vandentiekio, leidžiama tiekti vandenį į EVŠ iš pagalbinio bako, naudojant siurblinę, arba iš talpos, kuri pakabinta ne mažiau kaip 5 metrų aukštyje nuo viršutinio EVŠ taško.

Pastaba: norint palengvinti EVŠ aptarnavimą eksploataavimo metu, rekomenduojama įdiegti išleidimo ventiliį (Pav. 1, p. 4) pagal pav. 1 (modeliams, kuriuose nėra išleidimo vamzdžio (neįeina į tiekimo komplektą)).

Jeigu vandentiekyje slėgis yra didesnis nei 0,7 MPa, tai prie šalto vandens įvedimo į EVŠ reikia įdiegti prieš apsauginį vožtuvą (vandens tekėjimo kryptimi) tinkamo slėgio mažinimo vožtuvą (neįeina į tiekimo komplektą), siekiant sumažinti vandens slėgį iki normos



**Įsitikinkite prieš jungdami į elektros tinklą, kad EVŠ pripildytas vandeniu.**

Vandens šildytuvą turi savo tinklo maitinimo laidą su šakute.

Elektros kontaktinis lizdas privalo būti su žemimo gnybtu, vietoje, apsaugotoje nuo vandens patekimo.

Įrenginio galia yra 2000 W. Lizdas ir elektros laidai turi būti pritaikyti nominaliai galiai, ne mažesnei kaip 2000 W.

Įkiškite tinklo maitinimo laidą su šakute į lizdą.

## EKSPLOATAVIMAS

### Paveikslas 2. Elektrinė valdymo panelė



**Paveikslas 2:** 1 – įjungimo/išjungimo mygtukas «On/Off», 2 – kaitinimo temperatūros didinimas/mažinimas «Temperature», 3 – šildymo temperatūros indikatoriai (55°C, 65°C, 75°C), 4 – protingo režimo mygtukas «Smart», 5 – avarinės signalizacijos indikatorius «Alarm».

EVŠ įjungiamas/išjungiamas, paspaudus centrinį mygtuką "on/off" (Pav. 2, p. 1).

EVŠ naudojimo metu vartotojas gali reguliuoti vandens kaitinimo temperatūrą mygtuko «Temperature» pagalba (Pav 2, p. 2). Galima pasirinkti tokias temperatūros reikšmes: 55°C, 65°C, 75°C (Pav 2, p. 3).

Kai pasirenkate temperatūrą, kaitinimo temperatūros indikatorius mirksi penkis kartus, tada pereina į darbinę padėtį. Kai vandens temperatūra žemesnė nei nustatyta temperatūra, EVŠ šildo vandenį, o šildymo temperatūros indikatorius mirksi. Kai vandens temperatūra pasiekia nustatytą temperatūrą, šildymo temperatūros indikatorius nuolat šviečia. Įjungus vandens šildytuvą, numatytoji temperatūra pagal nutylėjimą yra 65 ° C.

Naudodami protingo režimo mygtuką "Smart" (Pav. 2., p. 4), galima įjungti intelektualų EVŠ veikimo režimą. Šio režimo veikimo metu EHŠ gali mokytis ir saugoti vartotojų įprotį naudoti karštą vandenį, ir iš anksto paruošti karštą vandenį kitam vandens ciklui (7 dienas cikle). Tuo metu, kai vartotojams nereikia karšto vandens, palaikyti vandenį minimalia temperatūra. Taigi, galima pasiekti komfortą ir sutaupyti energijos. Šis

režimas skirtas vartotojams, kurie reguliariai naudoja karštą vandenį. Norėdami įjungti šį režimą, paspauskite "Smart" režimo mygtuką. Norėdami išeiti iš režimo, dar kartą paspauskite šį mygtuką arba išjunkite EVŠ.

Apsaugos nuo užšalimo režimas "NO FROST". Kai EVŠ" prijungtas prie maitinimo, bet išjungtas mygtuku "On/Off", o vandens temperatūra nukrinta žemiau 5 °C, apsaugos nuo užšalimo režimas įjungiamas automatiškai. Kai vandens temperatūra pasiekia 10 °C, apsaugos nuo užšalimo režimas automatiškai išsijungia. Kai įjungiamas apsaugos nuo užšalimo režimas, šviečia įjungimo indikatorius.

Jei nenaudosite EVŠ žiemos metu ir gali užšalti vandens magistralės ir pats vandens šildytuvas, rekomenduojama išjungti maitinimą ir išleisti vandenį iš EVŠ, kad išvengtų vidinio bako pažeidimą.

## TECHNINIS APTARNAVIMAS

Reguliarus techninis aptarnavimas (TA) ir laiku pakeistas magnio anodas yra ilgalaikio EVŠ darbo sąlyga. Be to gaminys gali būti pašalintas iš garantinio aptarnavimo. Techninis aptarnavimas ir magnio anodo keitimas nėra įtrauktas į gamintojo ir pardavėjo garantinius įsipareigojimus.

Atliekant TA tikrinamas magnio anodo būklė ir nuovirų EVK buvimas. Tuo pačiu metu, pašalinamos nuosėdos iš EVŠ apačios.

Magnio anodą reikia keisti ne rečiau kaip kartą per metus. Jeigu vandenyje yra daug cheminių priemaišų, magnio anodą reikia keisti dažniau. Nuovirų buvimas EVK gali sąlygoti jo gedimą, o tai nėra garantinis atvėjis, ir jo keitimas nėra įtrauktas į gamintojo ir pardavėjo garantinius įsipareigojimus. Nuoviros galima pašalinti nuovirų valymų priemonėmis, arba mechaniniu būdu. Nenaudokite valymui abrazyvų arba chemiškai aktyvių plovimo priemonių, kad nepažeisti vidinio bako dangą.

Pirmosios techninės priežiūros svarba yra tai, kad apie nuosėdų formavimosi intensyvumą, magnio anodo suvartojimo, galima nustatyti kito TA laiką ir, kaip pasekmė, pratęsti gaminio veikimo laiką. Be to, mažinamas gaminio tarnavimo laikas ir padidėja gedimų galimybė, ir nustoja veikti garantija.



**Nuovirų susidarymas ant vamzdinio elektrinio kaitintuvo gali tapti jo pažeidimo priežastimi.**

Pastaba: Vamzdinio elektrinio kaitintuvo pažeidimui dėl nuovirų susidarymo nėra taikomi garantiniai įsipareigojimai. Reguliarus techninis aptarnavimas neįeina į gamintojo ir pardavėjo garantinius įsipareigojimus.

TA atlikimui reikia atlikti sekančius žingsnius:

- Atjungti EVŠ elektros maitinimą.
- Duoti atvėsti karštam vandeniui arba išnaudoti jį per maišytuvą.
- Atjungti šalto vandens tiekimą į EVŠ.
- Atsukti apsauginį vožtuvą arba atidaryti išleidimo ventilių;
- Ant šalto vandens atvamzdžio arba išleidimo ventilių užmauti guminę žarną, nukreipus jos kitą galą į kanalizaciją.
- Įjungti karšto vandens čiaupą maišytuve ir nuleisti vandenį iš EVŠ per žarną į kanalizaciją.

- Nuimti apsauginį dangtį, atjungti laidus, atsukti ir ištraukti atraminį korpuso flanšą.
- Esant būtinybei išvalyti vamzdinį elektrinį kaitintuvą nuo nuovirų ir pašalinti nuosėdas iš bako.
- Atlikti surinkimą, užpildyti EVŠ vandeniu ir įjungti maitinimą.

Modeliuose su drenažo vamzdžiu pakanka uždaryti šalto vandens padavimą į EVŠ, atsukti drenažo vamzdžio dangtelį ir atidaryti karšto vandens čiaupą. Po to, kai vanduo išsipils, kai kuriam laikui galima atidaryti šalto vandens padavimą į EVŠ, norint papildomai išplauti baką.

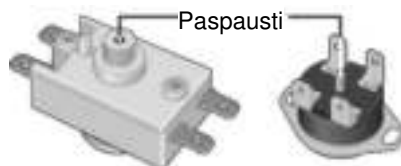
Jeigu EVŠ techninį aptarnavimą vykdo specializuota organizacija apie tai serviso talone turi būti padaryta atitinkama žymė.

### GALIMI GEDIMAI IR JŲ ŠALINIMO METODAI.

Gedimas	Galimos priežastys	Pašalinimo būdas
Sumažėjo karšto vandens slėgis iš EVŠ. Šalto vandens slėgis nepakitęs.	Apsauginio vožtuvo įleidžiamosios angos užsikimšimas	Nuimti vožtuvą ir nuplauti jį vandeniu
Padidėjęs šildymo laikas	EVŠ padengtas nuoviromis	Ištraukti nuimamą flanšą ir nuvalyti EVK
	Sumažėjo tinklo įtampa	Susisiekti su elektros tinklo eksploatavimo tarnyba.
Dažnas temperatūros jungiklio suveikimas	Nustatyta temperatūra yra arti ribos	«Temperature» mygtuko pagalba sumažinti temperatūrą.
	Termostato vamzdis padengtas nuoviromis	Ištraukti iš EVŠ nuimamą flanšą ir švelniai nuvalyti vamzdį nuo nuovirų.
EVŠ dirba, bet nešildo vandenį	Ventilis (Pav. 1, p. 8) neuždarytas arba sugedo	Uždaryti arba pakeisti ventilių (Pav. 1, p. 8)
Įjungtas į tinklą EVŠ ne šildo vandenį. Nėra kontrolinio galingumo parinkimo lempų apšvietimo	1) Nėra maitinimo įtampos 2) Pažeistas maitinimo laidas	1) Patikrinkite įtampos buvimą elektros lizde; 2) Kreipkitės į specializuotą aptarnavimo centrą.

Aukščiau išvardinti gėdimai nėra EVŠ defektai ir vartotojas juos pašalina pats arba specializuotos organizacijos pagalba savo sąskaita.

#### Paveikslas 2. Temperatūros jungiklio schema



**Vidinio sutrikimo atveju, kai vandens šildytuvas yra išjungtas, avarinės signalizatorius indikatorius „Alarm“ išsiųs pavojaus signalą. Informacija apie signalus pateikta žemiau esančioje lentelėje:**

Indikatorius	Galima priežastis	Pašalinimo metodas
Indikatorius šviečia visą laiką	Vandens temperatūra viršija 88 °C	Išjunkite ir vėl įjunkite EVŠ iš maitinimo tinklo, o kai vandens temperatūra nukris žemiau 88 °C, indikatorius nemirksės
Mirksi indikatorius (dažnis 1 sekundė)	Termostatas sugedo	Kreipkitės į aptarnavimo centrą pakeisti termostatą
Mirksi indikatorius (dažnis 4 sekundės)	Bako viduje nėra vandens, o šildymo elementas įjungtas.	Įsitikinkite, kad bakas užpildytas vandeniu. Kreipkitės į aptarnavimo centrą jeigu šildymo elementas perkaito, kad pakeistumėte šildymo elementą

## ELEKTRINIŲ VANDENS ŠILDYTVŲ TRANSPORTAVIMAS IR SAUGOJIMAS

Elektrinių vandens šildytuvų transportavimas ir saugojimas vykdomas pagal ženklus įpakavime:



— Būtina apsaugoti krovinį nuo drėgmės



— Krovinio trapumas, elgtis atsargiai



— Rekomenduojamas temperatūros diapazonas krovinio saugojimui: nuo +10°C iki +20°C



— Teisinga krovinio vertikalioji padėtis;

## UTILIZAVIMAS

Laikantis EVŠ įrengimo, veikimo ir priežiūros taisyklės, taip pat laikantis vandens kokybės standartus, gamintojas nustato šildytuvui 9 metų tarnavimo laikotarpį nuo EVŠ pirkimo datos.

Utilizuojant EVŠ, reikia laikytis vietinių aplinkosaugos įstatymų ir rekomendacijų.

Gamintojas pasilieka teisę be išankstinio įspėjimo pakeisti EVŠ konstrukciją ir charakteristikas.

## GAMINTOJO GARANTIJA

Gamintojas suteikia vandens šildytuvui 2 metų garantiją, prie to sudedamųjų gaminio dalių garantijos terminai yra sekantys:

- vandens talpai (vidiniam bakui) – 5 metų;
- kitoms sudedamosioms dalims (šildymo elementui, temperatūros reguliatoriui, lemputėms-indikatoriams, sandarinimo tarpikliams, temperatūros indikatoriui, apsauginiam vožtuvui) – 2 metų.



Garantijos terminas pradedamas skaičiuoti nuo EVŠ pardavimo datos. Jeigu pirkimo data nenurodyta arba ištaisyta parduotuvės štampe, garantijos terminas pradedamas skaičiuoti nuo EVŠ gamybos datos. Prekės pagaminimo data įrašyta unikaliam serijiniame numeryje, kuris yra identifikacinėje lentelėje ant EVŠ korpuso. Serijinis EVŠ numeris susideda iš trylikos skaitmenų. Trečias ir ketvirtas serijinio numerio skaitmuo - išleidimo metai, penktas ir šeštasis - išleidimo mėnesis, septintas ir aštuntas – EVŠ išleidimo diena. Pretenzijos garantijos termino metu priimamos turint šį vadovą su pardavėjo įmonės žymėjimais, ir identifikavimo lentelę ant EVŠ korpuso.

Garantija taikoma tik EVŠ. Apsauginio vožtuvo arba maitinimo laido gedimas ne skaitomi EVŠ gedimais, ir nenumato EVŠ keitimo. Už montavimo ir prijungimo taisyklių laikymąsi atsako pirkėjas (jeigu jis savarankiškai atliko prijungimą), arba montavimo organizacija, kuri atliko prisijungimą

Reguliarus techninis aptarnavimas (TA) ir laiku pakeistas magnio anodas yra ilgalaikio EVŠ darbo sąlyga. Be to gaminys gali būti pašalintas iš garantinio aptarnavimo.

Pirmasis magnio anodo keitimas turi būti atliktas ne vėliau kaip 25 mėnesiai nuo EVŠ montavimo dienos (jei garantiniame talone nėra montavimo ženklo su montavimo organizacijos antspaudu, laikotarpis skaičiuojamas nuo aparato gamybos datos). Magnio anodą reikia keisti ne rečiau kaip kartą per metus. Keičiant anodą gaminio garantiniame talone turi būti paslaugų organizacijos ženklas ir antspaudas.

Vartotojas montuojant ir eksploatuojant EVŠ turi laikytis reikalavimų, kurie užtikrins patikimą prietaiso veikimą garantiniu laikotarpiu:

- Laikytis saugos priemonių ir montavimo, prijungimo, eksploatavimo ir aptarnavimo taisyklių, kurie aprašyti šiame vadove;
- Išvengti galimus mechaninius sužalojimus saugojimo, transportavimo ir montavimo metu;
- Vengti vandens EVŠ užšalimo;
- Naudoti šildymui EVŠ vandenį be mechaninių ir cheminių priemaišų; (см. пункт 5);
- Eksploatuoti EVŠ su tinkamai dirbančiu apsauginiu vožtuvu iš tiekiamo EVŠ komplekto (см. пункт 5).

Gamintojas neatsako už trūkumus, kurie kilo dėl šiame vadove išdėstytų montavimo, prijungimo, eksploatavimo ir aptarnavimo taisyklių pažeidimo, t.t. kai trūkumai atsirado dėl netinkamų tinklų parametrų (elektrinių ir vandens tiekimo), kur eksploatuojamas EVŠ, taip pat dėl trečiosios šalies įsikišimo. Pretenzijoms dėl išorinio EVŠ vaizdo gamintojo garantija netaikoma.

Remontas, sudedamųjų dalių keitimas garantijos laikotarpiu metu nedidina bendrą EVŠ garantijos laiką. Pakeistoms ar taisomoms sudedamosioms dalims garantinis laikotarpis yra vienas mėnuo.

**INFORMACIJA APIE GAMINTOJĄ****Gamintojas:**

THERMEX heating Technology (Jiangmen) CO., Ltd

No. 51, Jianshedonglu, Taoyuan town, Heshan City, Guangdong Province, PRC



**Visi modeliai praėjo privalomą sertifikavimą ir atitinka Europos  
direktyvoms 2006/95/EC, 2004/108/EC**

## PARDAVIMO ŽENKLAS

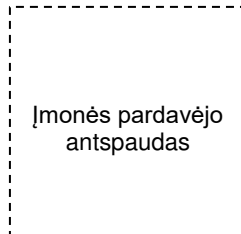
LT

Modelis \_\_\_\_\_ Serijinis Nr. \_\_\_\_\_

Pardavimo data « \_\_\_\_\_ » \_\_\_\_\_ 20 \_\_\_\_\_

Pardavėjas: \_\_\_\_\_

Serviso aptarnavimo centras,  
nurodytas pardavėju \_\_\_\_\_



Gaminys supakuotas, dėl išvaizdos jokių pretenzijų neturiu. Naudotojo vadovą su reikalingomis žymėmis gavau, su eksploatacijos taisyklėmis ir garantijos sąlygomis susipažinau ir sutinku.

Pirkėjo parašas: \_\_\_\_\_

**ENNE VEEBOILERI ESMAKASUTUST LUGEGE KÄESOLEV KASUTUSJUHEND HOOLIKALT LÄBI.****LUGUPEETUD OSTJA!**

Õnnitleme Teid THERMEX elektrisoojaveeboileri ostmise puhul. Oleme kindlad, et meie elektriveeboilerite laud valik rahuldab kõik Teie vajadused. Kaasaegsete tehnoloogiate ja kõrgekvaliteetsete materjalide kasutamine on teinud kaubamärgi THERMEX populaarseks ja usaldavaks.

THERMEX elektriveeboilerid on välja töötatud ja valmistatud rangelt rahvusvaheliste standarditega vastavuses, mis tagab seadme kindla ja ohutu kasutuse.

Käesolev juhend puudutab THERMEX IF 30 (smart), IF 50 (smart), IF 80 (smart), IF 100 (smart) sarja mudelid. Teie ostetud veeboileri mudeli nimetuse leiате seadme kerel olevalt identifikaatsioonimärgiselt jaost "Müügmärke".

**KASUTUSOTSTARVE**

Soojaveeboiler (edaspidi veeboiler) on mõeldud vee soojendamiseks ja säilitamiseks kodu- ja tööstusobjektides, mis on varustatud vajalike parameetritega külmaveetrassiga.

Veeboilerit peab kasutama köetud siseruumides ning see ei ole mõeldud tööks pidevas läbivoolurežiimis.

Elektriveeboiler (edaspidi veeboiler) on mõeldud kodu- ja tööstusobjektide varustamiseks kuuma veega. Objektid peavad olema varustatud külmaveetrassiga rõhuga 0,05 MPa kuni 0,7 MPa.

**TARNEKOMPLEKT**

21. Elektriveeboiler .....	1 tk.
22. GP-tüüpi turvaventiil.....	1 tk.
23. Kasutusjuhend .....	1 tk.
24. Pakend.....	1 tk.
25. Kinnitustarvikud - ankurpoldid.....	1 komplekt

**PEAMISED TEHNILISED NÄITAJAD**

Veeboileri elektri toitepinge peab olema 230 V  $\pm$ 10% raames. Elektrivõrgu sagedus 50Hz  $\pm$  1 %. Sisemise paagi maht ja küttekeha võimsus on näidatud seadme kerelt leitavalt identifikaatsioonimärgiselt. Külma ja kuuma vee muhvide keermete diameeter G 1/2".

Tootja jätab endale õiguse muuta veeboileri ülesehitust ja iseloomustust ja komplekti eelneva teatamiseta.

Markeering	$\Delta T=45^{\circ}\text{C}$ võrra soojendamise keskmine aeg 2,0 kW võimsusel
IF 30 (smart)	39 min
IF 50 (smart)	1 h 06 min
IF 80 (smart)	1 h 45 min
IF 100 (smart)	2 h 12 min

## VEEBOILERI KIRJELDUS JA TÖÖPÕHIMÕTE

Veeboileri kere on valmistatud löögikindlast plastikust. Внутренние баки имеют специальное покрытие биостеклофарфор, надежно защищающее внутреннюю поверхность от химической коррозии. Siseanuma ja kere vaheline ala on täidetud vahtpolüuretaaniga - kaasaegse ja keskkonnasõbraliku soojusisolatsiooniga, mis hoiab suurepäraselt soojust. Mudelitel on kaks keermemuhvi: külma vee sisendtoru jaoks (joonis 1, p. 3) sinise rõngaga ja sooja vee väljavoolutori jaoks (joonis 1, p. 2) punase rõngaga, ja on varustatud lisamuhviga (suletud metalltopiga) vee väljaviiguks ja siseanuma loputamiseks (joonis 1, p. 17). Veeboileri eesmisel poolel asetseb juhtimispaneel (joonis 1, p. 16).

Äravõetavatele flantsidele (äärikutele) on paigaldatud: toruküttekehad (elektritennid), termostaadi ja termolüliti näidikud. Elektritenn soojendab vett ja on juhitud termostaadiga, millel on sujuv temperatuuri regulatsioon kuni  $+75^{\circ}\text{C}$  kraadini. Kõikidel mudelitel on elektrijuhtimine sensoorse regulatsiooniga. Elektroonika hoiab automaatselt kasutaja määratud vee temperatuuri taset. Termolüliti kaitseb veeboilerit ülekuumenemise eest ning lülitab küttekeha elektrivoolust välja kui veesoojus ületab  $+95^{\circ}\text{C}$  (joonis 3).

Turvaventiil (joonis 1, p. 5) täidab vastuklapi funktsiooni, mis takistab vee pääsemist veeboilerist veevõrku juhtudel, kui veesurve veevõrgus langeb ja tugeva kuumutamise tagajärjel vee surve boilerianumas tõuseb, samuti ohutusventiili funktsiooni, mis maandab liigset survet tugeva vee kuumutamise puhul. Maandamiseks liigset survet võib veeboileri tööajal turvaventiili väljavoolutorust imbuda väheselt määral vett, mis toimub veeboileri ohutuse tagamiseks. See väljavoolutoru peab jääma ümbritsevas keskkonnas vabaks ja peab olema paigaldatud pidevas püstasendis allasuunas ja mittekülmavas keskkonnas.

Peab olema tagatud vee äravool turvaventiili äravoolutorust kanalisatsiooni (joonis 1, p. 14), seejuures peab veeboileri paigaldamisel olema ette nähtud ka vastav drenaaž (joonis 1, p. 6).

Eemaldamiseks katlakivi setteid ja ventiili korrasoleku kontrollimiseks on tarvilik korrapäraselt (vähemalt üks kord kuus) teostada väikese koguse vee väljavalamist läbi turvaventiili kanalisatsiooni. Turvaventiilil on lihtsa avamise jaoks olemas kang (joonis 1, p. 15). Jälgige, et veeboileri töötamisel oleks see kang alati vee äravoolu takistavas asendis.

## 5. OHUTUSNÕUDED

Veeboileri elektriohutus ning korrosioonivastane kaitse on tagatud vaid kehtivate paigaldusreeglitega vastavuses paigaldatud tõhusa maanduse olemasolul.

Santehnilised torud ja kinnistusarmatuur peavad vastama veevõrgu parameetritele ning omama vastavaid kvaliteedisertifikaate.

Veeboileri paigaldamisel ja kasutamisel ei ole lubatud:

- ühendada seadet vooluvõrguga, kui veeboiler ei ole täidetud veega;
- kaitseklapi eemaldamine, kui toide on sisse lülitatud;
- veeboileri kasutamine ilma maanduseta või veetorude kasutamine maandusena;
- veeboileri ühendamine veevõrguga, mille surve on suurem kui 0,7 MPa;
- ühendada veeboilerit veevõrguga ilma turvaventiliita;
- tühjendada veeboilerit veest läbi vooliku sisselülitatud toitega;
- kasutada tootja poolt mitte soovitatud varuosasid;
- kasutada veeboileris olnud vett toidu valmistamiseks;
- Kasutada veeboileri jaoks vett, mis sisaldab mehaanilisi lisandeid (liiv, väikesed kivid), mis võivad esile kutsuda veeboileri või turvaventili rikke;
- muuta veeboileri kandurite paigaldusmõõte või konstruktsiooni;

Veeboileri eksploateerimistemperatuur väliskeskkonnas peab jääma 3°C kuni 40°C piiridesse. Vee külmumine veeboileris miinustemperatuuridel viib seadme rikkeni, mis ei ole kaetud garantiiga.



**Pöörake laste tähelepanu sellele, et nad ei mängiks veeboileriga. Veeboiler ei ole ettenähtud kasutamiseks isikute poolt (kaasa arvatud lapsed), kellel on piiratud füüsilised, kompimis- või psüühilised võimed, samuti isikud, kes ei oska kasutada veeboilerit, välja arvatud juhul, kui see toimub veeboileri ohutuse eest vastutavate isikute järelevalve all või nende juhiste kohaselt.**

## PAIGALDUS JA ÜHENDAMINE

Kõik paigaldus-, sanitaartehtehnilised ja elektripaigaldustööd peab teostama vastava ala spetsialist.

## ASETUS JA PAIGALDUS

Veeboileri paigaldus teostatakse vastavuses kerel oleva märgiskleebise ja järgneva tabeliga.

Маркировка	Paigaldus
IF 30 (smart)	vertikaalne, toruotsakud allasuunas; horisontaalne paigaldus, toruotsakut vasakule poole
IF 50 (smart)	
IF 80 (smart)	
IF 100 (smart)	

Vähendamaks soojuskadusid torude kaudu, paigaldage veeboiler võimalikult kasutuskoha lähedale.

Seina puurimisel (aukude tegemisel) peab meeles pidama seinaga paigaldatud kaableid, kanaleid ja torusid. Paigalduskoha valikul peab meeles pidama veega täidetud veeboileri üldkaalu. Madala kandejõuga seinaga ja lage peab vastavalt tugevdama.

Seinale paigaldamiseks kasutatakse veeboileri kandureid, mis riputatakse seinasse sisse kruvitud ankurkonksudele. Konksude kinnitamine seinale peab olema teostatud selliselt, et vältida veeboileri kandurite iseeneslikku libisemist.

Veeboileri hooldamise hõlbustamiseks jätke juurdepääsuks elektrilistele osadele äravõetavast flantsist lähima pinnani vähemalt 30 sm vaba ruumi - kõikide mudelite puhul.



**Vältimaks kasutaja ja (või) kolmandate isikute vara kahjustamist peab veeboileri paigaldus toimuma ruumis, mille põrand on varustatud hüdroisolatsiooni ja dreanaažiga kanalisatsiooni ning mitte mingil juhul mitte paigaldada veeboileri alla esemeid, mis võivad saada veekahjustust. Veeboileri paigaldamisel hüdroisolatsioonita ruumidesse peab veeboileri alla paigaldama kaitsealuse, millel on dreanaaž kanalisatsioonitorudesse.**

Juhul, kui veeboiler paigaldatakse kohta, milles on raskendatud tehniline ja garantiihooldus (ülakapid, nišid, lagedevahelised alad jne), teostab veeboileri paigalduse ja mahavõtu kasutaja ise või katab ise töökulud.

Märkus: Kaitsealus ei sisaldu veeboileri tarnekomplektis.

## ÜHENDAMINE VEEVÕRKU

Paigaldage turvaventiil (joonis 1, p. 5) külma vee sisendi juures (joonis 1, p. 3) - sinise rõngaga sisendtoru - keerates seda 3,5-4 täispöört sisse eelnevalt tihendanud vastava materjaliga (lina, tihendlinde või muuga).

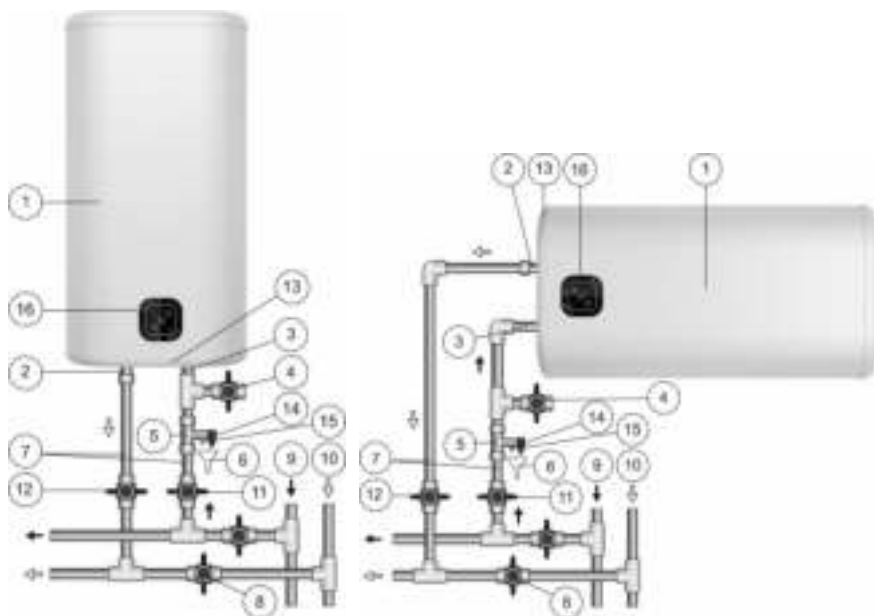


**Veeboileri kasutamine ilma turvaventiiliga või teiste tootjate turvaventiiliga on keelatud.**

Veeboileri kasutamisel võivad turvaklapi dreanaažiavasse ilmuda tilgad (vee soojendamisel liigse rõhu vähendamine). On soovitatav paigaldada dreanaažiavausesse vastava diameetriga kummi- või silikoontoru, et juhtida niiskus eemale.

Ühendamine veevõrku teostatakse vastavalt joonisele 1 vasest, metallplastikust, plastmassist või spetsiaalsete paindlike veetorude abil. Ei ole lubatud kasutada varem kasutusel olnud paindlikke torusid. On soovitatav juhtida veeboilerisse vett läbi külmaveetrassil paigaldatud mudafiltri (ei sisaldu tarnekomplekti).

## Joonis 1. Veeboileri veevõrguga ühendamise skeem



**Joonis 1:** 1 - veeboiler, 2 - kuumaveemuuhv, 3 - külmaveemuuhv, 4 - äravooluventiil, 5 - turvaventii, 6 - drenaaž kanalisatsiooni, 7 - juurdevoolutorud, 8 - sulgeda ventiil veeboileri kasutamisel, 9 - külmaveetrass, 10 - kuumaveetrass, 11 - külma vee sulgemisventiil, 12 - kuuma vee sulgemisventiil, 13 - kaitsekaas, 14 - kaitseklapi väljalasketoru, 15 - kaitseklappi avamise kang, 16 - juhtimispaneel.

Pärast ühendust veevõrku avage külma vee ventiil (Joonis 1, punkt 11) veeboileril, kuula vee väljavooluventiil (Joonis 1, punkt 12) ja kuumavetooru segistil, et õhk saaks väljuda veeboilerist. Veeboileri täielikul täitumisel veega hakkab segisti kuumaveekraanist vesi jooksma pideva joana. Keerake kinni kuumaveekraan segistil, kontrollige, ega flants ei leki, ja vajaduse korral pinguldage poldid.

Veeboileri ühendamisel kohtades, kus pole keskveevõrku, tohib vett suunata veeboilerisse abianumast, mille peab paigaldama vähemalt 5 meetri kõrgusele veeboileri kõrgeimast punktist või kasutada pumbajaama.

Märkus: Veeboileri kasutamisel hoolduse lihtsustamiseks on soovitatud paigaldada äravooluventiil (joonis 1, p. 4) vastavalt joonisega 1 (mudelite jaoks, mis pole varustatud äravoolumuhviga (ei sisaldu veeboileri tarnekomplektis)).

Kui veevõrgu rõhk ületab 0,7 Mpa, siis vee sisendi juures enne kaitseklappi peab paigaldama vastav reductorklapp (ei sisaldu tarnekomplektis).

### VOOLUVÕRKU ÜHENDAMINE



**Enne toite sisselülitamist veenduge, et veeboiler on täidetud veega.**

Veeboiler on varustatud standardse pistikuga toitejuhtmega.



Pistikupesa peab olema varustatud maandamisklemmiga ja paiknema niiskusevabas kohas.

Seadme võimsus on 2000 W. Pistikupesa ja selleni viiv elektriuhmestik peab pidama vähemalt 2000 W võimsust.

Ühenda pistik pistikupessa.

## KASUTUS

### Joonis 2. Elektrooniline juhtimispaneel



**Joonis 2:** 1 – sisselülitamis/väljalülitamisnupp On/Off, 2 – soojendamistemperatuuri suurendamise/vähendamise nupp Temperature, 3 – soojendustemperatuuri (55°C, 65°C, 75°C) indikaatorid, 4 – nutirežiiminupp Smart, 5 – avariisignalisatsiooni nupp Alarm.

Veeboileri sisselülitamine/väljalülitamine teostatakse juhtimispaneelil nupuga On/Off (Joonis 2, punkt 1).

Veeboileri kasutamise käigus saab kasutaja kontrollida Temperature-nupu abil (Joonis 2, punkt 2). Sihttemperatuuriks võib valida kolm varianti: 55°C, 65°C, 75°C (Joonis 2, punkt 3). Temperatuuri valikul vilgub indikaator viis korda, seejärel hakkab töötama. Kui vee temperatuur on määratust väiksem, veeboiler soojendab vett ja temperatuuriindikaator vilgub. Kui vesi on soojendatud määratud temperatuurini, temperatuuriindikaator hakkab põlema pideva tulega. Kui veeboiler lülitub sisse, vaikimisi on määratud temperatuurid 65 °C.

Nutirežiimi nupu Smart abiga (Joonis 2, punkt 4) saab sisse lülitada veeboileri intellektuaalse režiimi. Selle režiimi ajal veeboiler õpib ja salvestab kasutajate harjumusi kuuma vee kasutamisel ja hakkab kuuma vett ette valmistama järgmise veetsükli jaoks (tsükklis on 7 päeva). Ajal, kui kasutajad ei vaja kuuma vett, hoiab veeboiler vett minimaalsel temperatuuril. Sellisel kombel saavutatakse mugavus ja elektrienergia säästlik kasutus. Seda režiimi kasutavad kasutajad, kes vajavad kuuma vett korrapäraselt. Selle režiimi sisselülitamiseks vajutage nutirežiimi nuppu Smart. Režiimi väljalülitamiseks vajutage nuppu teist korda või lülitage veeboiler välja.

No Frost külmumisvastane režiim. Kui veeboiler on lülitatud elektrivõrku, kuid On/Off nupu abil välja lülitatud, ja vee temperatuur on väiksem kui 5°C, lülitub automaatselt sisse külmumisvastane režiim. Kui vee temperatuur jõuab 10°C,

külmumisvastane režiim lülitub automaatselt välja. Vee külmakaitkerežiimi sisselülitamisel lülitub sisse ka režiimi indikaator.

Kui te ei kasuta veeboilerit talvisel ajal ja on võimalik, et veetrassid ja veeboiler is külmuvad, on soovitatav veeboileri elektrivõrgust välja lülitada ja juhtida vesi veeboilerist välja, et kaitsta veeboileri siseanumat riknemise eest.

## TEHNILINE HOOLDUS

Veeboileri pika kasutusea kohustuslikuks eelduseks on korrapärane tehniline hooldus ja magneesiumanoodi õigeaegne väljavahetus. Nimetatud tingimuste mittetäitmine on garantiihoolduse mahavõtmise alus. Tehniline hooldus ja magneesiumanoodi väljavahetus ei kuulu valmistaja garantiikohustuste hulka.

Tehnilise hoolduse läbiviimisel kontrollitakse katlakivi olemasolu küttekehal. Samaaegselt eemaldatakse sete, mis võib olla kogunenud anuma põhja.

Magneesiumanoodi tuleb vahetada vähemalt üks kord aastas. Kui vesi sisaldab suurel määral keemilisi lisandeid, tuleb seda vahetada tihemini. Katlakivi moodustumine küttekehal võib seda vigastada, ja see ei kuulu garantiijuhtude hulka ning sel juhul küttekeha vahetus ei kuulu valmistaja ja müüja garantiikohustuste hulka. Kui küttekehale on tekkinud katlakivi, seda võib eemaldada selleks mõeldud keemiliste vahenditega või mehaaniliselt. Sette eemaldamisel ei tohi kasutada liigset jõudu ega abrasiiveid puhastusvahendeid, sest see või kahjustada siseanuma kaitsekihti.

Esimene tehniline ülevaatus on oluline, sest see võimaldab määratleda, kuivõrd intensiivselt tekib katlakivi ja sete, kuivõrd palju kuulub magneesiumanood, mis kokku aitavad õigesti määrata järgmise tehnilise ülevaatuses tähtsaja, ja sel määral pikendada veeboileri tööiga. Nimetatud nõuete mittetäitmine lühendab veeboileri tööiga, suureneb rikete rist ning katkeb garantii.



### **Katlakivi ladestumine küttekehal võib viia selle rikkeni.**

Märkus: Küttekeha rike katlakivi ladestumise tõttu ei kuulu garantiikohustuste hulka. Korrapärane tehniline hooldus ei kuulu valmistaja ja müüja garantiikohustuste hulka.

Tehnilise hoolduse läbiviimiseks tuleb toimida järgnevalt:

- lülitada välja veeboileri toide;
- lasta kuumal veel jahtuda või kasutada see ära läbi segisti;
- sulgeda veevõrgu toitekraan;
- keerata lahti turvaventil või avada äravooluventil;
- tõmmata külma vee sisendtorule või väljavõuventiilile kummist voolik ning suunata selle teine ots kanalisatsiooni;
- avada kuuma vee kraan segistil ning lasta veel veeboileris voolata läbi vooliku kanalisatsiooni;
- eemaldada turvakaas, lahutada juhtmed, kruvida lahti ning eemaldada kerelt äravõetav flants;
- vajadusel puhastada elektritenn katlakivist ning eemaldada sete;

- teostada seadme kokkupanek, täita veeboiler veega ning lülitada see vooluvõrku.

Drenaažimuhviga mudelites piisab sulgeda külma vee sissevool, keerata maha metalltopp drenaažimuhvil ja avada kuumaveekraan. Pärast seda, kui vesi on valgunud välja, võib veeboileri paagi lisaloputamiseks avada mõneks ajaks külma vee sissevool.

Tehnilise hoolduse läbiviimisel spetsialistide poolt peab garantiitalongi olema tehtud vastav märges.

## VÕIMALIKUD RIKKED JA NENDE KÕRVALDAMINE

Rike	Võimalik põhjus	Kõrvaldamine
Kuuma vee surve veeboilerist on vähenenud Külma vee surve on endine	Turvaventiili sisselaskeava on umbes	Eemaldada ventiil ning loputada see veega
Vee soojendamise aeg on suurenenud	Küttekehale on ladestunud katlakivi	Võtta küttekeha välja ja puhastada see katlakivist
	Vooluvõrgu pinget on langenud	Pöörduda vooluvõrgu kasutusteenistusse
Termolüliti tihedane rakendumine	Määratud veesoojus on väga lähedal maksimumile	С помощью кнопки «Temperature» уменьшить температуру
	Termostaadi toru on kattunud katlakiviga	Eemaldada veeboilerist äravõetav flants ning ettevaatlikult puhastada toru katlakivist
Veeboiler töötab, kuid ei soojenda vett	Määratud veesoojus on väga lähedal maksimumile	Pöörata termostaadi regulaator temperatuuri vähendamise suunas (-)
Elektrivooluga ühendatud veeboiler ei soojenda vett. Juhtimispaneelil puudub indikatsioon	1) vooluvõrgus puudub pinget; 2) voolujuhe on vigastatud;	1) kontrollige pinget olemasolu elektripesas; 2) pöörduge spetsialiseeritud teeninduskeskusesse.

Ülalnimetatud rikked ei ole veeboileri defektid ning on eemaldatavad kasutaja poolt iseseisvalt või tema kulul.

**Joonis 2. Termolüliti nupu asukoha skeem**



Sisemise rikke ilmumise korral siis, kui veeboiler on välja lülitatud, avarisignalisatsiooni indikaator Alarm saadab alarmisignaali. Signaalide info on toodud järgnevas tabelis:

Indikaatori positsioon	Võimalik põhjus	Kõrvaldamise viis
Indikaator põleb pidevalt	Vee temperatuur ületab 88 °C	Lülitada veeboiler välja elektrivõrgust ja seejärel jälle sisse lülitada, ja kui vesi jaheneb alla 88 °C, lülitub indikaatorituli välja
Indikaator vilgub (1 sekund)	Termostaat ei tööta	Pöörduge teeninduskeskusesse termostaadi väljavahetamiseks
Indikaator vilgub (4 sekundit)	Paagis ei ole vett, aga soojenduselement on sisse lülitatud	Veenduge, et paak on täidetud veega. Pöörduge teeninduskeskusesse. Kui soojenduselement läbi põlenud.

## ELEKTRILISTE VEEBOILERITE TRANSPORT JA SÄILITUS

Elektriliste veeboileri transport ja säilitus peab olema teostatud vastavalt pakendil olevate käitlusemargistega:



— Pakk peab olema kaitstud niiskuse eest



— Seade on kergesti purunev ja nõuab ettevaatlikku käitlemist



— Soovitav kauba säilitamise temperatuurivahemik on +10 kuni +20 °C



— Paki õige vertikaalne asend

## UTILISEERIMINE

Paigaldus-, kasutus- ja tehnilise hoolduse reeglite järgimisel ning kasutatava vee vastavusel kehtiva standardiga tootja määratud seadme kasutusaeg on 9 aastat alates veeboileri ostukuupäevast.

Veeboileri utiliseerimisel peab järgima kohalisse keskkonnakaitse seadusi ja soovitusi.

Tootja jätab endale õiguse viia veeboileri ülesehitusse ja iseloomustusse muudatusi eelneva teatamiseta.

## VALMISTAJA GARANTII

Valmistaja annab soojaveeboilerile garantii 2 aastat, seejuures garantii varuosadele ja komponentidele kehtivad järgmised garantiiajad:

- veemahutile (siseanumale) – 5 aastat;
- Muudele komponentidele (küttekehale, termostaadile, kontrollnäidikute lampidele, vahetihenditele, temperatuuri näidikule, kaitseklapile) - 2 aastat.

Garantiaega loetakse kuumaveeboileri müügipäevast alates. Müügipäeva puudumisel või muutmisel ning kaupluse templi puudumisel garantiaega loetakse kuumaveeboileri väljalaskekuupäevast. Veeboileri väljalaskekuupäev on kodeeritud ainulaadsesse seerianumbrisse, mis on toodud veeboileri kerel asuval identifikaatsiooniärgisel. Seerianumber koosneb kolmeteistkümnest numbrist. Seerianumbri kolmas ja neljas number märgistavad boileri väljalaskeastat, viies ja kuues - väljalaskekuud, seitsmes ja kaheksas - väljalaskepäeva. Pretensioonid võetakse garantiiaja jooksul vastu müügiäettevõtte märgetega garantiitalongi ning veeboileri kerel oleva märgiskleebise olemasolul.

Garantii katab ainult soojaveeboilerit. Kaitseklapi või toitejuhtme rikked ei too endaga kaasa veeboileri väljavahetust. Vastutus paigaldamis- ja ühendamisreeglitest kinnipidamise eest lasub ostjal (iseseisva ühendamise puhul) või paigalduse teostanud teenindusettevõttel.

Периодическое проведение технического обслуживания и своевременная замена магниевого анода является обязательным условием для долговременной работы ЭВН и сохранения гарантийных обязательств завода-изготовителя.

Magneesiumanoodi esmane väljavahetamine peab toimuma enne 25. kuud veeboileri paigaldamise kuupäevast alates (kui paigaldusfirma pitsoriga paigaldamise märged garantiitalongis puudub, loetakse tähtaega seadme tootmise päevast). Edaspidi peab magneesiumanoodi vahetama üks kord aastas. Anoodi vahetusega peab kaasnema teenindava organisatsiooni märged ja pitseri seadme garantiitalongis.

Veeboileri paigaldamisel ja kasutamisel peab tarbija täitma nõudeid, mis tagavad seadme häireteväba töö kogu garantiiperioodil:

- täitma käesolevas juhendis loetletud ohutusnõuded ja veeboileri paigaldamise, ühendamise, kasutamise ja hooldamise reeglid;
- vältima seadme mehaanilist vigastust, mida võib põhjustada hooletu säilitamine, transportimine ja paigaldus;
- vältima vee jäätumist boileris;
- kasutama soojendamiseks mehaaniliste ja keemiliste lisanditeta vett (vt punkt 5);
- kasutama veeboilerit boileri tarnekomplekti kuuluva korrasoleva kaitseklapiga (vt punkt 5).

Valmistaja ei vastuta vigade eest, mis tekivad kasutajapoolse käesolevas juhendis loetletud veeboileri paigaldamise, ühendamise, kasutamise ja hooldamise reeglite rikkumise tulemusena, sealhulgas juhtudel, kui sellised vead tekkisid seadme kasutamisel võrkude (vee- ja elektrivõrgu) mittelubatud parameetrite tõttu või kolmandate isikute sekkumise tagajärjel. Garantii ei laiene pretensioonidele veeboileri välimuse kohta.

Remont, varuosade ja komponentide vahetus garantiiaja jooksul ei pikenda veeboileri üldist garantiid kogu veeboilerile. Garantiaeg väljavahetatud või remonditud varuosadele on üks kuu.

**Valmistaja:**

THERMEX heating Technology (Jiangmen) CO., Ltd

No. 51, Jianshedonglu, Taoyuan town, Heshan City, Guangdong Province, PRC



**Kõik mudelid on läbinud kohustusliku sertifitseerimise ja vastavad Euroopa direktiivide 2006/95/EC, 2004/108/EC nõuetele.**

## MÜÜGIMÄRGE

EE

Mudel \_\_\_\_\_ Seerianumber \_\_\_\_\_

Müügi kuupäev « \_\_\_\_\_ » \_\_\_\_\_ 20 \_\_\_\_\_

Müügi kuupäev \_\_\_\_\_

Müügifirma esindaja

allkiri \_\_\_\_\_

Müügifirma pitser

Seade on komplekteeritud, välisilmele pretensioone ei ole. Sain kätte kasutusjuhendi, millesse on tehtud vajalikud märged, kasutustingimused ja garantiitingimused on mulle teada, nõustun nendega.

Ostja allkiri \_\_\_\_\_



**Bitte lesen Sie vor der ersten Benutzung des Warmwasserspeichers alle in dieser Anweisung aufgeführten Informationen aufmerksam durch.**

### **Sehr geehrte Kunden!**

Wir gratulieren Ihnen bei Anschaffung des elektrischen Warmwasserspeichers „**THERMEX**“. Wir sind überzeugt, dass eine breite Palette an elektrischen Warmwasserspeicher Ihre Anforderungen und Bedürfnisse abhelfen kann. Durch die Anwendung neuer Technologie und die Benutzung der hochwertigen Materialien konnte sich die Marke **THERMEX** die Popularität und das Vertrauen verschaffen

Der Warmwasserspeicher **THERMEX** wurde in strenger Übereinstimmung mit den einheimischen und internationalen Normen entwickelt und hergestellt, die die Zuverlässigkeit und Betriebssicherheit gewährleisten.

Diese Gebrauchsanweisung betrifft folgende THERMEX-Ausführungen: IF 30 (smart), IF 50 (smart), IF 80 (smart), IF 100 (smart). Der Name des von Ihnen gekauften Warmwasserspeichers ist im Abschnitt „Verkauf-Vermerk“ und auf dem sich an dem Gehäuse des Warmwasserspeichers befindlichen Identifikationsschild angegeben.

### **BESTIMMUNG**

Der Warmwasserspeicher (nachfolgend „Speicher“ genannt) ist für die Warmwasserversorgung der Wohn- und Betriebsobjekte, die über eine Kaltwasserleitung mit notwendigen Parametern verfügen, bestimmt.

Der Speicher ist in einem geschlossenen beheizbaren Raum zu installieren und ist nicht für den stetigen Durchlaufbetrieb vorgesehen.

Der Warmwasserspeicher (nachfolgend „Speicher“ genannt) ist für die Warmwasserversorgung der Wohn- und Betriebsobjekte, die mit der Kaltwasserleitung mit einem Druck von min. 0,05 MPa und max. 0,7 MPa ausgestattet sind.

### **LIEFERUMFANG**

26. Warmwasserspeicher .....	1 St.
27. Sicherheitsventil Typ GP.....	1 St.
28. Bedienungsanleitung .....	1 St.
29. Verpackung.....	1 St.
30. Befestigungsanker .....	1 Satz

## **2. TECHNISCHE GRUNDDATEN**

Die elektrische Spannung von allen Typen und Ausführungen der elektrischen Warmwasserspeicher soll  $230\text{ B} \pm 10\%$  betragen. Die Frequenz der Speiseleitung ist  $50\text{ Hz} \pm 1\%$ . Das Innentankvolumen und die Heizkörperleistung sind in der Identifikationstabelle am Gehäuse des Geräts angegeben. Der Gewindedurchmesser der Wassereinlass- und -auslassstutzen ist G1/2.

Der Hersteller behält sich das Recht vor, die Ausstattung, Ausführung und Eigenschaften des Warmwasserspeichers ohne Voranmeldung zu ändern.



Bezeichnung	Durchschnittliche Heizzeit um $\Delta T=45^{\circ}\text{C}$ bei einer Leistung von 2,0 kW
IF 30 (smart)	39 Min.
IF 50 (smart)	1 Stunden 06 Min.
IF 80 (smart)	1 Stunden 45 Min.
IF 100 (smart)	2 Stunden 12 Min.

## BESCHREIBUNG UND FUNKTION DES WARMWASSERSPEICHERS

Das Außengehäuse des elektrischen Warmwasserspeichers ist aus schlagfestem Kunststoff ausgeführt. Die Innenbehälter haben eine Spezialbeschichtung aus Vitroporzellan, die die Innenfläche vor der chemischen Korrosion sicher schützt. Der Raum zwischen dem Außengehäuse und den Innenbehältern ist mit Polyurethanschäum, einer modernen umweltfreundlichen Wasserdichtung mit den besten Wärmeschutzeigenschaften gefüllt. Diese Ausführungen haben zwei Gewindestutzen: den Kaltwassereinlass (Bild 1, Ziffer 3) mit dem blauem Ring und den Warmwasserauslass (Bild 1, Ziffer 2) mit dem roten Ring und sind mit einem zusätzlichen Entleerungsanschluss (mit einer Blindkappe verschlossen) zum Wasserablass und Innenbehälterspülung (Bild 1, Ziffer 17) ausgestattet. An der Vorderseite des elektrischen Warmwasserspeichers befindet sich in allen Ausführungen das Bedienfeld (Bild 1, Ziffer 16).

Am abnehmbaren Flansch sind ein elektrischer Rohrheizer sowie Thermostat- und Thermoschaltersensoren montiert. Der elektrische Rohrheizer dient zur Wasserheizung und ist thermostatgesteuert, wobei der Thermostat stufenweise auf bis zu  $+75^{\circ}\text{C}$  eingestellt wird. Alle Ausführungen werden mittels des elektronischen Bedienfelds gesteuert. Die Elektronik erhält die Wassertemperatur auf dem von dem Nutzer eingestellten Niveau aufrecht. Der Thermoschalter dient zum Schutz des elektrischen Warmwasserspeichers vor der Überhitzung und schaltet den elektrischen Warmwasserspeicher vom Netz bei der Überschreitung der Wassertemperatur von  $+95^{\circ}\text{C}$  (Bild 3).

Der Sicherheitsventil (Bild 1, Ziffer 5) funktioniert als Rücklaufventil. Er lässt das Wasser aus dem Warmwasserspeicher in die Wasserleitung nicht reinfließen, falls gleichzeitig der Druck in der Wasserleitung abfällt und der Druck im Warmwasserspeicher steigt, indem das Wasser stark erhitzt. Während des Betriebes des Speichers kann das Wasser aus dem Auslaufrohr des Sicherheitsventils zur Überdruckabsenkung absickern. Das geschieht zur Sicherheit des Warmwasserspeichers. Dieses Auslassrohr ist für die Umluft offen zu erhalten und ist ständig nach unten zu richten und soll sich in der frostfreien Umgebung befinden.

Es ist notwendig, den Wasserzufuhr aus dem Auslaufrohr des Sicherheitsventils (Bild 1, Ziffer 14) in das Abwassersystem zu sichern. Dazu ist bei Installation des Speichers eine entsprechende Drainage vorzusehen (Bild 1, Ziffer 6).

Es ist notwendig, eine Menge Wasser über das Auslaufrohr des Sicherheitsventils in das Abwassersystem regelmäßig (mindestens einmal im Monat) zur Beseitigung der Kalkablagerung und zur Funktionsprüfung des Sicherheitsventils auslaufen zu lassen. Zum Öffnen ist der Sicherheitsventil mit einem Griff ausgestattet (Bild 1, Ziffer 15). Während des Betriebes des Warmwasserspeichers ist der Griff in der Zu-Position zu stehen.

## SICHERHEITSMASSNAHMEN

Die elektrische Sicherheit des Speichers werden nur bei effektiver Erdung, die gemäß den Normen für Montage von elektrischen Geräten gemacht wurde, gewährleistet.

Der Sanitäranschluss und der Absperrarmatur müssen den Parametern der Wasserleitung entsprechen und über die notwendige Qualitätszertifikate verfügen.

Während der Installation und des Betriebs des Warmwasserspeichers ist nicht zugelassen:

- den Warmwasserspeicher an das Elektronetz anzuschließen, wenn er mit Wasser nicht gefüllt ist;
- die Schutzdecke vom eingeschalteten Gerät abzunehmen;
- den Warmwasserspeicher ohne Erdung in Betrieb zu nehmen;
- den Warmwasserspeicher an die Wasserleitung mit Druck von über 0,7 MPa anzuschließen;
- den Warmwasserspeicher an die Wasserleitung ohne Sicherheitsventil anzuschließen;
- das Wasser aus dem Warmwasserspeicher bei eingeschalteter Netzversorgung abzugießen;
- Ersatzteile, die vom Hersteller nicht empfohlen sind, einzubauen;
- das Wasser aus dem Warmwasserspeichers zum Kochen zu nutzen;
- Wasser, das mit Fremdstoffen (Sand, kleine Steine) belastet ist, zu nutzen, denn sie können die Funktion des Warmwasserspeichers und des Sicherheitsventils stören.
- Konstruktion und Befestigungsmaß der Konsolen des Speichers zu ändern.

Die Umgebungstemperatur, bei der der Warmwasserspeicher benutzt wird, soll zwischen 3°C und 40°C liegen. Ausfrieren von Wasser im Speicher bei Minustemperatur kann Betriebsausfall des Geräts zur Folge haben. Das ist kein Garantiefall.



**Weisen Sie Ihren Kindern darauf hin, dass sie mit dem Warmwasserspeicher nicht spielen dürfen. Der Speicher soll nicht von Menschen (auch Kinder) mit körperlichen, taktilen oder psychischen Einschränkungen, sowie von Menschen, die mit dem Speicher nicht umgehen können, benutzt werden. Ausgenommen sind Fälle, wenn das unter Überwachung oder nach Anweisungen der Person, die für die Sicherheit des Warmwasserspeichers verantwortlich ist, erfolgt.**

## INSTALLATION UND ANSCHLUSS

Alle Installations-, Installateur- und Elektroarbeiten müssen durch geschultes Personal abgewickelt werden.

## AUFSTELLUNG UND INSTALLATION

Die Aufstellung des Speichers erfolgt gemäß der am Gehäuse gekennzeichneten Markierung und in der Tabelle angegebenen Daten:

Маркировка	Austellung
IF 30 (smart)	senkrechte Montage, Stützen nach unten; waagerechte Montage, Stützen nach links
IF 50 (smart)	
IF 80 (smart)	
IF 100 (smart)	

Empfehlenswert ist, den Speicher in maximaler Nähe von der Stelle der Warmwasserverwendung aufzustellen, um Warmverluste in der Wasserleitung zu reduzieren.

Bei Bohren der Löcher in die Wand muss man die Anordnung der angelegten Kabel, Kanäle und Röhre berücksichtigen. Besitzen die Wände und der Boden ungenügende Tragfähigkeit, so müssen sie sachgerecht befestigt werden.

Der elektrische Warmwasserspeicher wird an den Gehäusekonsolen an den an der Wand zu befestigenden Ankerhaken gehängt. Die Montage der Haken in der Wand soll die spontane Bewegung der Konsolen ausschließen.

Zur Wartung des der elektrischen Warmwasserspeichers soll der Abstand zwischen dem Schutzdeckel und der nächsten Oberfläche in der Richtung der Achse des abnehmbaren Flansches für alle Ausführungen zumindest 30 cm betragen;



**Um die Beschädigung des Vermögens des Benutzers und (oder) des Dritten durch Mängel des Warmwasserversorgungssystems zu vermeiden, soll der Speicher in einem Raum mit Bodenabdichtung und Drainage in Abwasserleitung installiert werden. Die wasserempfindlichen Gegenstände sollen unter dem Speicher nicht gestellt werden. Wird der Speicher in einem nicht geschützten Raum installiert, so ist eine Bodenwanne (nicht im Lieferumfang) mit Drainage in Abwasserleitung aufzustellen.**

Wird der Speicher an für Wartung und Service schwerzugänglichen Stellen (Halbgeschoss, Mauernische, Zwischendecke u.a.) aufgestellt, so wird die Montage und die Demontage des Speichers durch den Kunden oder auf seinen Kosten durchgeführt.

Anmerkung: Die Bodenwanne ist im Lieferumfang des elektrischen Warmwasserspeichers nicht enthalten nicht.

## WASSERANSCHLUSS

Verstellen Sie das Sicherungsventil (Bild 1, Ziffer 5) am Kaltwassereinlass (Bild 1, Ziffer 3), mit dem blauen Ring markiert, indem Sie es um 3,4 bis 4 Umdrehungen verdrehen und den Anschluss mit einem beliebigen Dichtungsmaterial (Lein, Gewindeabdichtungsband u.a.) abdichten.



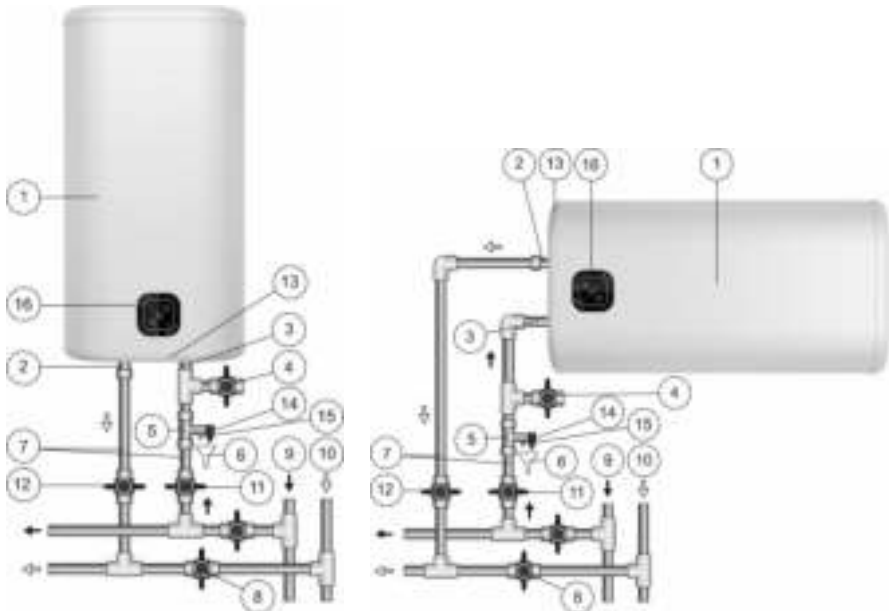
**Es ist verboten, den Speicher ohne Sicherheitsventil zu benutzen oder das Sicherheitsventil eines anderen Herstellers einzubauen.**

Während des Betriebs des elektrischen Warmwasserspeichers können Sie sehen, dass einzelne Tropfen aus dem Drainageschnabel des Sicherungsventils heraustreten

(Überdruckabbau bei der Wassererhitzung). Es wird empfohlen, an den Drainageschnabel einen Gummi- oder Silikonschlauch mit entsprechendem Durchmesser zur Wasserableitung anzuschließen.

Der Wasseranschluss erfolgt gemäß Abb. 1 mittels Kupfer-, Kunststoffverbund- oder Kunststoffrohr, sowie mittels einer speziellen flexiblen Verbindung. Es ist verboten, gebrauchte flexible Verbindung zu verwenden. Es wird empfohlen, Wasser zum elektrischen Warmwasserspeicher durch einen Schmutzfilter an der Kaltwasserleitung zu leiten (nicht im Lieferumfang enthalten).

**Bild 1. Wasseranschluss**



**Bild 1:** 1 – Speicher, 2 – патрубок горячей воды, 3 – Kaltwasserstutzen, 4 – Ablassventil, 5 – Sicherheitsventil, 6 – Drainage zur Entwässerung, 7 – Leitung, 8 – während des Betriebs des Speichers Ventil absperren), 9 – Kaltwasserleitung, 10 – Warmwasserleitung, 11 – Kaltwasser-Absperrventil, 12 – Warmwasser-Absperrventil, 13 – Schutzdecke, 14 – Ablassrohr des Sicherheitsventils, 15 – Griff zum Öffnen des Sicherheitsventils, 16 – Bedienfeld.

Nach Wasseranschluss öffnen Sie den Kaltwasserversorgungsventil (Bild 1, Ziffer 11), Warmwasserzufuhrventil (Bild 1, Ziffer 12) und den Warmwasserhahn am Mischbatterie, um den Speicher zu entlüften. Sobald der Warmwasserspeicher mit Wasser gefüllt wird, läuft das Wasser aus Warmwasserhahn blasenfrei aus. Dann ziehen Sie den Warmwasserhahn zu.

Wird der Speicher an einer Stelle ohne Wasserrohrleitung anmontiert, so kann das Wasser in den Speicher aus einem zusätzlichen Behälter mittels Pumpe oder aus einem Behälter, der in Höhe von 5 m von dem oberen Rand des Speichers aufgestellt wird, zugeführt werden.

Anmerkung: Für eine einfachere Wartung des elektrischen Warmwasserspeichers bei dem Betrieb wird empfohlen, ein Ablassventil (Bild 1, Ziffer 4) in Übereinstimmung mit Bild 1 zu installieren (für die mit dem Ablassventil nicht ausgestatteten Ausführungen (nicht im Lieferumfang des elektrischen Warmwasserspeichers enthalten)).

Wenn der Wasserrohrleitungsdruck 0,7 MPa übersteigt, ist ein Druckreduzierventil (nicht im Lieferumfang des elektrischen Warmwasserspeichers enthalten) bei Kaltwassereintritt vor dem Sicherheitsventil zur Verringerung des Kaltwasserdrucks bis zur Drucknorm einzubauen.

## ELEKTRISCHER ANSCHLUSS



**Vor der elektrischen Inbetriebnahme stellen Sie sicher, dass der Warmwasserspeicher mit Wasser gefüllt ist.**

Der elektrische Warmwasserspeicher ist mit einem Standard-Netzkabel mit Stecker ausgestattet.

Die Steckdose soll mit einer Erdklemme ausgestattet werden und sich an einer wassergeschützten Stelle befinden.

Die Leistung des Geräts ist 2000 W. Die Steckdose und ihre Versorgungleitung sind für eine Nennleistung von min. 2000 W auszulegen.

Stecken Sie den Stecker in die Steckdose.

## BETRIEB

**Bild 2. Elektronisches Bedienfeld**



**Bild 2:** 1 – Ein-/Aus-Taste «On/Off», 2 – Taste zur Temperaturerhöhung «Temperature», 3 – Heiztemperaturanzeigen (55°C, 65°C, 75°C), 4 – Taste des intelligenten Modus «Smart», 5 – Alarmanzeige «Alarm».

Das Ein- und Ausschalten des elektrischen Warmwasserspeichers erfolgt mit der Ein-/Aus-Taste «On/Off» am Bedienfeld (Bild 2, Ziffer 1).

Während des Betriebs des elektrischen Warmwasserspeichers kann der Verbraucher die Heiztemperatur mit der Taste «Temperature» (Bild 2, Ziffer 2) einstellen. Als Zieltemperatur können folgende Werte gewählt werden: 55°C, 65°C, 75°C (Bild 2, Ziffer

3). Wenn Sie die Temperatur wählen, blinkt die Temperaturanzeige fünf Mal und geht dann in den Betriebszustand über. Wenn die Temperatur unter der voreingestellten Temperatur liegt, erwärmt der elektrische Warmwasserspeicher das Wasser und die Heiztemperaturanzeige blinkt. Wenn die Wassertemperatur den voreingestellten Wert erreicht hat, leuchtet die Heiztemperaturanzeige dauerhaft. Wenn der Warmwasserspeicher eingeschaltet wird, ist die Heiztemperatur standardmäßig auf 65 °C eingestellt.

Mit der Taste des intelligenten Modus «Smart» (Bild 2, Ziffer 4) kann der intelligente Betriebsmodus des elektrischen Warmwasserspeichers eingeschaltet werden. In diesem Modus kann der elektrische Warmwasserspeicher die Gewohnheiten der Benutzer, Warmwasser zu benutzen, aufnehmen und Warmwasser für den nächsten Wasserzyklus (ein Zyklus besteht aus 7 Tagen) im Voraus aufbereiten. Dabei wird minimale Temperatur das Wasser im Zeitraum, wenn die Benutzer das Wasser nicht brauchen, aufrechterhalten. Auf solche Weise können Komfort und Energiesparen gewährleistet werden. Dieser Modus wird von den Benutzern verwendet, die Warmwasser regelmäßig brauchen. Zum Einschalten dieses Modus drücken Sie auf die Taste des intelligenten Modus «Smart». Drücken Sie erneut auf diese Taste oder schalten Sie den elektrischen Warmwasserspeicher aus, um den Modus zu verlassen, d.

Frostschutzmodus «NO FROST». Wenn der elektrische Warmwasserspeicher an das Netz angeschlossen, aber mit der Ein-/Aus-Taste «On/Off» ausgeschaltet ist und die Temperatur unter 5 °C liegt, wird der Frostschutzmodus automatisch eingeschaltet. Wenn die Wassertemperatur 10 °C erreicht, wird der Frostschutzmodus automatisch ausgeschaltet. Wenn der Frostschutzmodus automatisch eingeschaltet wird, leuchtet die Netzanzeige auf.

Wenn Sie den elektrischen Warmwasserspeicher in der Winterzeit nicht verwenden und die Gefahr besteht, dass die Wasserleitungen und der Warmwasserspeicher selbst zufrieren, wird empfohlen, ihn vom Netz zu trennen und Wasser daraus abzulassen, damit der Innenbehälter nicht beschädigt wird.

## WARTUNG

Die regelmäßige Wartung und rechtzeitiger Austausch der Magnesiumanode sind wichtige Voraussetzungen für die lange Lebensdauer der Warmwasserspeicher. Bei der Nichterfüllung dieser Vorschriften wird die Haftung für die Garantiewartung ausgeschlossen. Die Wartung und der Austausch der Magnesiumanode unterliegen den Garantieverpflichtungen vom Hersteller nicht.

Bei der Durchführung der Wartungsarbeiten wird der Zustand der Magnesiumanode und das Auftreten der Kesselsteinablagerungen am Rohrheizkörper geprüft. Gleichzeitig werden Kalkrückständen entfernt, die sich im unteren Teil des Speichers bilden können.

Die Magnesiumanode ist zumindest alle 2 Jahre auszutauschen. Wenn das Wasser viele chemische Zusatzstoffe enthält, ist die Magnesiumanode öfter zu verwenden. Die Kesselsteinablagerung am Heizelement kann zu dessen Ausfall führen, was kein Garantiefall ist, und dessen Austausch gehört zu den Garantieverpflichtungen des Herstellers und des Verkäufers nicht. Wenn der Rohrheizkörper mit dem Kesselstein bedeckt ist, kann er mit den speziellen Reinigungsmitteln oder mechanisch entfernt werden. Bei der Entfernung der Ablagerungen im Warmwasserspeicher darf man niemals

den übermäßigen Druck ausüben und die abschleifenden Reinigungsmittel zu verwenden, damit die Schutzbeschichtung des Innenbehälters nicht beschädigt werden kann.

Die erste Kontrolle soll in ein Jahr nach der ersten Inbetriebnahme durchgeführt werden, weil die Dicke des Kesselsteins und Kalkablagerungen, sowie der Anodenverbrauch das Datum der nächsten Kontrolle bestimmen und dementsprechend die Betriebsdauer des Speichers verlängern lässt. Durch die Nichterfüllung der genannten Vorschriften wird die Betriebsdauer des Warmwasserspeichers verringert, die Ausfallwahrscheinlichkeit wird höher und die Garantiepflichten werden erlöschen.



**Die Ansammlung von Kesselstein auf dem Rohrheizkörper kann die Beschädigung zur Folge haben.**

Die Beschädigung des Rohrheizkörpers ist kein Garantiefall. Die Garantieverpflichtungen des Herstellers und des Verkäufers umfassen die regelmäßige Wartung nicht.

Bei Durchführung der Wartungsarbeiten:

- den Speicher abschalten und vom Stromnetz trennen.
- das Warmwasser abkühlen oder abfließen lassen.
- Kaltwasserzufuhr absperrern.
- das Sicherheitsventil entfernen oder das Entleerungsventil öffnen;
- den Gummischlauch auf das Kaltwasserzufuhrrohr aufsetzen und das zweite Schlauchende an die Abwasserleitung anschließen; Warmwasserhahn aufdrehen und den Speicher über den Schlauch entleeren.
- Schutzdecke abnehmen, Kabel abtrennen, Auflagerflansch losschrauben und aus dem Gehäuse rausnehmen.
- Rohrheizkörper gegebenenfalls vom Kesselstein reinigen und die Kalkablagerungen aus dem Behälter entfernen.
- Alle Teile zusammenbauen, den Speicher mit Wasser füllen und einschalten.

In den Ausführungen mit einem Drainagestutzen reicht es aus, den Kaltwasserzulauf zum elektrischen Warmwasserspeicher abzustellen, den Stopfen am Drainagestutzen abzudrehen und den Warmwasserhahn zu öffnen. Wenn das Wasser abgelassen ist, kann man Kaltwasser zum elektrischen Warmwasserspeicher einige Zeit zulaufen lassen, damit der Behälter zusätzlich gespült wird.

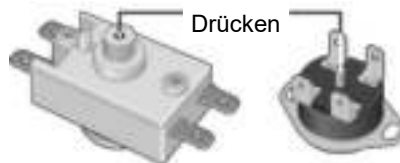
Bei der Wartung des elektrischen Warmwasserspeichers durch ein Fachunternehmen ist im Wartungszettel der entsprechende Vermerk zu setzen.

## STÖRUNGEN UND BEHEBUNG.

Störung	Ursache	Abhilfe
Druck des warmen Wassers im Speicher verminderte sich. Kaltwasserdruck unverändert geblieben	Einlaufverstopfung des Sicherheitsventils	Sicherheitsventil abnehmen und spülen
Verlängerte Aufheizzeit	Rohrheizkörper ist mit Kesselstein bedeckt	Flansch herausnehmen und Rohrheizkörper reinigen
	Spannungsabfall im Stromnetz	Wenden Sie sich an die Stromversorgungsstelle
Thermoschalter schaltet oft ein	Die vorgewählte Temperatur liegt dem oberen Grenzwert nah.	Mit der Taste «Temperature» Temperatur herunterstellen
	Thermostatrohr ist mit Kesselstein belegt.	Den Fußflansch aus dem elektrischen Warmwasserspeicher herausnehmen und den Kesselstein aus dem Rohr vorsichtig entfernen
Der elektrische Warmwasserspeicher ist im Betrieb, erwärmt jedoch das Wasser nicht	Das Ventil (Bild 1, Ziffer 8) ist nicht geschlossen oder ist ausgefallen	Das Ventil schließen oder austauschen (Bild 1, Ziffer 8)
Speicher ist eingeschaltet, aber heizt das Wasser nicht. Keine Anzeige am Bedienfeld	1) Keine Spannung im Stromnetz; 2) Netzkabel ist beschädigt.	1) Prüfen Sie, ob die Steckdose unter Spannung steht; 2) Wenden Sie an den Service-Dienst.

Die oben genannten Störungen sind keine Defekte des Speichers und können vom Benutzer selbst behoben werden

**Bild 3. Lageplan der thermoschaltertaste**





Wenn ein interner Fehler im Betriebszustand des elektrischen Warmwasserspeichers entsteht, sendet die Alarmanzeige «Alarm» ein Alarmsignal. Die Informationen über Alarmsignale sind in der Tabelle unten aufgeführt:

Anzeige	Mögliche Ursache	Abhilfe
Die Anzeige leuchtet dauerhaft	Die Wassertemperatur liegt über 88 °C	Den Warmwasserspeicher ein- und ausschalten; die Anzeige geht aus, sobald die Temperatur unter 88 °C liegt
Die Anzeige blinkt (die Frequenz ist 1 Sekunde)	Der Thermostat ist fehlerhaft	Kontaktieren Sie den Kundendienst, um den Thermostat erneuern zu lassen
Die Anzeige blinkt (die Frequenz ist 4 Sekunden)	Kein Wasser im Behälter, das Heizelement ist an	Vergewissern Sie sich, dass der Behälter mit Wasser gefüllt ist. Wenden Sie sich an den Kundendienst, um das Heizelement erneuern zu lassen, wenn das Heizelement durchgebrannt ist

## TRANSPORT UND LAGERUNG DER ELEKTRISCHEN WARMWASSERSPEICHER

Der Transport und die Lagerung der elektrischen Warmwasserspeicher soll in Übereinstimmung mit den auf der Verpackung angebrachten Handhabungshinweisen erfolgen:



— Feuchtigkeitsschutz;



— Vorsicht, fragile Ware;



— Empfohlene Lagerungstemperaturen: von +10°C bis zu +20°C;



— Richtige Senkrechtstellung der Ware.

## ENTSORGUNG

Die Betriebsdauer des Speichers, die vom Hersteller festgelegt wird, beträgt 9 Jahre ab Verkaufsdatum, vorbehalten, dass alle Installations-, Betriebs- und Wartungsvorschriften eingehalten wurden und die Qualität des Betriebswassers den gültigen Normen entspricht.

Bei der Entsorgung des elektrischen Warmwasserspeichers sind lokale Umweltsetze und -empfehlungen einzuhalten.

Der Hersteller behält sich das Recht vor, den Aufbau und die Eigenschaften des elektrischen Warmwasserspeichers ohne Voranmeldung zu ändern.

## GARANTIE DES HERSTELLERS

Die Garantiezeit des Herstellers für Warmwasserspeicher beträgt ein Jahr. Die Garantiezeit für Bau- und Ersatzteile wie folgt:

- für Wasserbehälter (Innenbehälter) 5 Jahre;
- für sonstige Bauteile (Heizkörper, Thermostat, Anzeigetaste, Dichtungen, Temperaturanzeige, Sicherheitsventil) – 2 Jahre.

Die Garantiezeit beginnt ab Verkaufsdatum. Wenn das Verkaufsdatum oder der Stempel des Händlers nicht vorhanden sind, läuft die Garantiezeit ab Herstellungsdatum. Die Information über Herstellungsdatum ist in einer unikalen Seriennummer auf dem am Gehäuse anmontierten ID-Schild verschlüsselt. Die Seriennummer besteht aus 13 Ziffern. Die dritte und die vierte Ziffer codieren das Jahr, fünfte und sechste - den Monat, siebente und achte - Tag. Während der Garantiezeit werden Ansprüche angenommen, nur wenn die Bedienungsanleitung mit Vermerken des Händlers vorgelegt wird und der Schild am Gehäuse des Speichers vorhanden ist.

Die Garantie deckt nur den Warmwasserspeicher. Der Defekt des Sicherungsventils oder des Netzkabels führen nicht zum Austausch elektrischen Warmwasserspeichers. Die Verantwortung für die Einhaltung der Installations- und Anschlussvorschriften übernimmt der Benutzer (falls er die Installations- und Anschlussarbeiten selbst durchführt) oder die Installationsfirma, die den Speicher installiert und angeschlossen hat.

Regelmäßige Wartung und rechtzeitiger Austausch der Magnesiumanode sind eine obligatorische Voraussetzung für einen langen Betrieb des elektrischen Warmwasserspeichers und Aufrechterhaltung der Garantieverpflichtungen des Herstellerwerks.

Der erste Austausch der Magnesiumanode soll spätestens im 25. Monat ab dem Installationsdatum des elektrischen Warmwasserspeichers erfolgen (falls kein Vermerk mit Siegel des Montagebetriebs im Garantiezettel enthalten ist, wird die Frist ab dem Herstellungsdatum des Geräts bestimmt). Weiter ist die Magnesiumanode zumindest einmal jährlich zu erneuern. Der Austausch der Magnesiumanode ist mit einem Vermerk und Siegel des Servicebetriebs im Garantiezettel des Geräts zu dokumentieren.

Bei der Installation und Bedienung des Speichers soll der Benutzer die Vorschriften, die eine einwandfreie Funktion des Speichers während der Garantiezeit sichern, einhalten:

- Sicherheitsmaßnahmen und Vorschriften zu Installation, Anschluss, Bedienung, Wartung, die in dieser Bedienungsanleitung aufgeführt sind, einhalten;
- Mechanische Beschädigungen durch nachlässige Lagerung, Transport und Installation ausschließen;
- Gefrieren von Wasser im Innenbehälter ausschließen;
- Wasser ohne mechanische Fremdstoffe und chemische Beimischungen beim Erwärmen verwenden (s. Ziffer 5);
- den Speicher mit dem fehlerfreien mitgelieferten Sicherheitsventil betreiben. (s. Ziffer 5).

Der Hersteller trägt keine Verantwortung für Mängel, die von der Verletzung der Anweisungen zu Installation, Bedienung und Wartung durch den Benutzer verursacht wurden, u.a. wenn die Mängel wegen unzulässigen Netzparameter des Netzanschlusses (Strom und Wasserleitung) oder durch Eingriff des Dritten entstanden sind. Die Garantie des Herstellers erstreckt sich nicht auf die Ansprüche auf das Äußere des Speichers.

Reparatur, Austausch von Bauteilen und Ersatzteilen während der Garantiezeit verlängern die gesamte Garantiezeit nicht. Die Garantie für ersetzte oder reparierte Bauteile und Ersatzteile beträgt einen Monat.

### ANGABEN ZUM HERSTELLER

**Hersteller:**

THERMEX heating Technology (Jiangmen) CO., Ltd

No. 51, Jianshedonglu, Taoyuan town, Heshan City, Guangdong Province, PRC



**Alle Modelle sind gesetzlich zugelassen und entsprechen den Richtlinien 2006/95/EC, 2004/108/EC.**

## VERKAUF-VERMERK

Modell \_\_\_\_\_ Seriennr \_\_\_\_\_

Verkaufsdatum « \_\_\_\_\_ » \_\_\_\_\_ 20 \_\_\_\_\_ r.

Verkäufer: \_\_\_\_\_

Unterschrift des Vertreters  
des Verkäufers \_\_\_\_\_

Die Ware ist komplett ausgestattet. Ich habe keine Ansprüche auf die Geräteübersicht. Ich habe die Bedienungsanleitung mit erforderlichen Vermerken bekommen. Ich habe die Gebrauchsanweisungen und Garantiebedingungen zur Kenntnis genommen und ihnen zuerkannt.

Unterschrift des Käufers \_\_\_\_\_



## GEACHTE KOPER!

Wij feliciteren u van harte met de aankoop van boiler THERMEX. We zijn ervan overtuigd dat breed assortiment aan onze elektrische boilers voldoet aan alle Uw behoeften. Implementatie van moderne technologieën en materialen van de hoogste kwaliteit gedurende vervaardiging van toestellen hebben populariteit en vertrouwen bepaald voor handelsmerk THERMEX.

Electrische boilers THERMEX zijn ontwikkeld en geproduceerd streng in overeenstemming met de internationale standaarden, die betrouwbaarheid en veiligheid van exploitatie garanderen.

Deze handleiding geldt voor de volgende modellen van THERMEX: IF 30 (smart), IF 50 (smart), IF 80 (smart), IF 100 (smart). Benaming van het model van door u aangekochte boiler staat in artikel 'Verkoopnota' en op het identificatiebordje op het lichaam van het apparaat.

## BESTEMMING

Elektrische boiler (daarna in de tekst - EB) is bestemd voor voorziening met heet water van huishoudelijke en industriële objecten, die magistraal van koude watervoorziening hebben met nodige parameters.

EB moet geëxploiteerd worden in gesloten en verwarmde ruimtes en is niet bestemd voor het werk in doorstroomregime.

Electrische boiler (daarna in de tekst - EB) is bestemd voor voorziening met heet water van huishoudelijke en industriële objecten, die leidingen voor koud water hebben met de druk van niet minder dan 0.05 MPa en niet meer dan 0.7 MPa.

## GELEVERDE SET

31. Boiler .....	1 stuk
32. Veiligheidsventiel type GP .....	1 stuk
33. Handleiding.....	1 stuk
34. Verpakking.....	1 stuk
35. Ankers voor bevestigingsmiddelen .....	1 set

## VOORNAAMSTE TECHNISCHE KARAKTERISTIEKEN

Voedingsspanning van alle types en modellen van EB moet zijn binnen de limieten van 230 V  $\pm$ 10%. Voeding netsfrequentie is 50Hz  $\pm$  1 %. Volume van de binnentank en het vermogen van verwarmingselement staan op het identificatiebordje op het lichaam van de toestel. Draaddiameter van waterinlaat- en uitlaatmondstukken – G1/2.

De producent behoudt zich het recht voor om opties, constructie en karakteristieken van de boiler aan te passen zonder voorafgaande kennisgeving.

Markering	Gemiddelde opwarmtijd op $\Delta T=45^{\circ}\text{C}$ bij vermogen van 2,0 kWt
IF 30 (smart)	39 min.
IF 50 (smart)	1 u. 06 min.
IF 80 (smart)	1 u. 45 min.
IF 100 (smart)	2 u. 12 min.

## BESCHRIJVING EN WERKINGSPRINCIPE VAN EB

Buitenhulling van EB is vervaardigd uit schokbestendig plastic. Binnentankken hebben speciale coating – biokristallijn porselein, dat veilig de binnenkant beschermt tegen chemische corrosie. De ruimte tussen buitenomhulling en binnentankken is gevuld met polyurethaan – moderne, ecologisch pure thermische isolatie, die de beste karakteristieken heeft van warmtebesparing. Desbetreffende modellen hebben twee geschroefde spuitmonden: voor koud waterinlaat (Figuur 1, punt 3) met een blauwe ring en heet wateruitlaat (Figuur 1, punt 2) – met een rode ring, en zijn voorzien van aanvullend aftapaansluiting (gesloten met een metaal kap) voor waterafvoer en spoelen van de binnentank (Figuur 1, punt 17). Op de voorkant van EB, in alle modellen, bevindt het bedieningspaneel zich (Figuur 1, punt 16).

Een buisvormige elektrische verwarmers (TEN) en thermostaat en thermoschakelsensoren zijn gemonteerd op een verwijderbare flens. TEN wordt gebruikt voor het verwarmen van water en wordt geregeld door een thermostaat, die een soepele temperatuurregeling tot + 75 ° C heeft. Alle modellen worden elektronisch bediend. De elektronica handhaaft automatisch de watertemperatuur op het niveau dat door de gebruiker is ingesteld. De thermische schakelaar dient om het EB te beschermen tegen oververhitting en koppelt TEN los van het elektriciteitsnet wanneer de watertemperatuur hoger is dan + 95 ° C (Figuur 3).

De veiligheidsklep (Figuur 1, punt 5) dient als terugstroomklep, waardoor wordt voorkomen dat het water uit de waterverwarmer het waterleidingnet binnendringt in geval van een daling van de druk in de laatstgenoemde en in gevallen van toename van de druk in de tank bij sterke waterverwarming evenals de functies van de veiligheidsklep, het ontlast de overdruk in de tank als het water sterk wordt verwarmd. Tijdens het gebruik van de boiler kan water uit de uitlaatpijpuitlaatpijp lekken om overmatige druk te ontlasten, wat voor de veiligheid van de boiler gebeurt. Deze uitlaatpijp moet open blijven voor de atmosfeer en permanent worden omlaag geïnstalleerd in de niet-vriesomgeving.

Het is noodzakelijk om de afvoer van water uit de uitlaatpijp van de veiligheidsklep (Figuur 1, punt 14) naar het rioleringsysteem te waarborgen, met voldoende drainage voor de installatie van de EB (Figuur 1, punt 6).

Het is noodzakelijk om regelmatig (minimaal één keer per maand) een kleine hoeveelheid water via de afvoerpijp van de veiligheidsklep naar het rioleringsysteem af te voeren om kalkhoudende afzettingen te verwijderen en de prestaties van de klep te testen. Om de klep te openen, is deze uitgerust met een hendel (Figuur 1, punt 15). Er moet voor worden gezorgd dat tijdens het gebruik van de EB deze hendel in een stand staat die het legen van water uit de tank afsluit.

## AANWIJZINGEN VOOR VEILIGHEIDSMATREGELEN

De elektrische veiligheid van het EB is alleen gegarandeerd als er een effectieve aarding is uitgevoerd in overeenstemming met de huidige installatieregels voor elektrische installaties.

Sanitaire leidingen en afsluiters moeten voldoen aan de parameters van het waterleidingnetwerk en beschikken over de nodige kwaliteitscertificaten.

Bij het installeren en bedienen van de EB is het niet toegestaan:

- de voeding aansluiten als het EB niet met water is gevuld;
- de beschermkap verwijderen wanneer de stroom is ingeschakeld;
- EB gebruiken zonder aarding;
- EVN opnemen in het waterleidingnetwerk met een druk van meer dan 0,7 MPa;
- de EB met de watertoevoer verbinden zonder veiligheidsklep;
- het water uit het EB laten lopen wanneer de stroom is ingeschakeld;
- reserveonderdelen gebruiken die niet door de fabrikant zijn aanbevolen;
- water uit de EB gebruiken om te koken;
- water gebruiken dat mechanische onzuiverheden bevat (zand, kleine stenen), wat kan leiden tot verstoring van de EB en de veiligheidsklep.
- de ontwerp- en installatiedimensies van de EB-beugels veranderen.

De omgevingstemperatuur waarin het EVN wordt gebruikt, moet tussen 3 ° C en 40 ° C zijn. Invriezen van water in het EVN bij negatieve temperaturen leidt tot uitval van EB, hetgeen geen garantiegeval is.



**Kinderen moeten worden aangestuurd om ervoor te zorgen dat ze niet met het EB spelen. Het EB is niet bestemd voor gebruik door personen (inclusief kinderen) met beperkte fysieke, tactiele of psychische vermogens, evenals door personen die de EB niet kunnen gebruiken, behalve wanneer het wordt gemonitord of geïnstrueerd door personen die verantwoordelijk zijn voor de veiligheid van de EB.**

## INSTALLATIE EN AANSLUITING

Alle installatie-, loodgieterij- en elektrische werkzaamheden moeten worden uitgevoerd door gekwalificeerd personeel.

## PLAATSING EN INSTALLATIE

De installatie van het EB wordt uitgevoerd in overeenstemming met de markering op de behuizing en de volgende tabel:

Markering	Plaatsing
IF 30 (smart)	verticale montage, aftakleidingen naar beneden; horizontale montage, aftakkingen naar links
IF 50 (smart)	
IF 80 (smart)	
IF 100 (smart)	

Het wordt aanbevolen om de EB zo dicht mogelijk bij de plaats waar heet water wordt gebruikt, te installeren om warmteverliezen in de leidingen te verminderen.

Bij het boren (uitvoeren van) gaten in de muur moet rekening worden gehouden met de kabels, kanalen en leidingen die er doorheen gaan. Bij het kiezen van de installatieplaats moet rekening worden gehouden met het totale gewicht van de EB gevuld met water. De muur en de vloer met een zwak draagvermogen moeten dienovereenkomstig worden versterkt.

EB wordt gehangen aan de beugels van de behuizing aan de haken van de ankers, bevestigd in de muur. De installatie van haken in de muur zou spontane bewegingen van de EB-beugels erover moeten voorkomen.

Voor het onderhoud van de EB moet de afstand van de beschermkap tot het dichtstbijzijnde oppervlak in de richting van de as van de verwijderbare flens minstens 30 centimeter bedragen - voor alle modellen;



**Om te voorkomen dat het eigendom van de consument en (of) derden wordt geschaad in het geval van storingen in het warmwatervoorzieningssysteem, is het noodzakelijk om de EB te installeren in ruimten met afdichtingvloeren en afvoer naar het rioleringsstelsel en in geen geval onder EB voorwerpen te plaatsen die vatbaar zijn voor effect van water. Wanneer de EB in een onbeschermde ruimte wordt geplaatst, is het noodzakelijk om een beschermende pallet onder de EB te installeren met afvoer in de riolering.**

In het geval dat de EB wordt geplaatst op plaatsen die moeilijk toegankelijk zijn voor technische en garantieonderhoud (mezzanines, nissen, inter-plafondruimten, enz.), wordt de ontmanteling en installatie van de EB door de klant zelfstandig uitgevoerd, of op zijn kosten.

Opmerking: de pallet is niet inbegrepen bij de levering van de EB.

## AANSLUITING BIJ WATERLEIDINGSSYSTEEM

Installeer de veiligheidsklep (Figuur 1, punt 5) bij de inlaat van koud water (Figuur 1, punt 3) gemarkeerd met een blauwe ring, draai hem 3,5 - 4 slagen, zorg voor een goede dichtheid met om het even welk afdichtingsmateriaal (vlas, FUM tape, enz.)

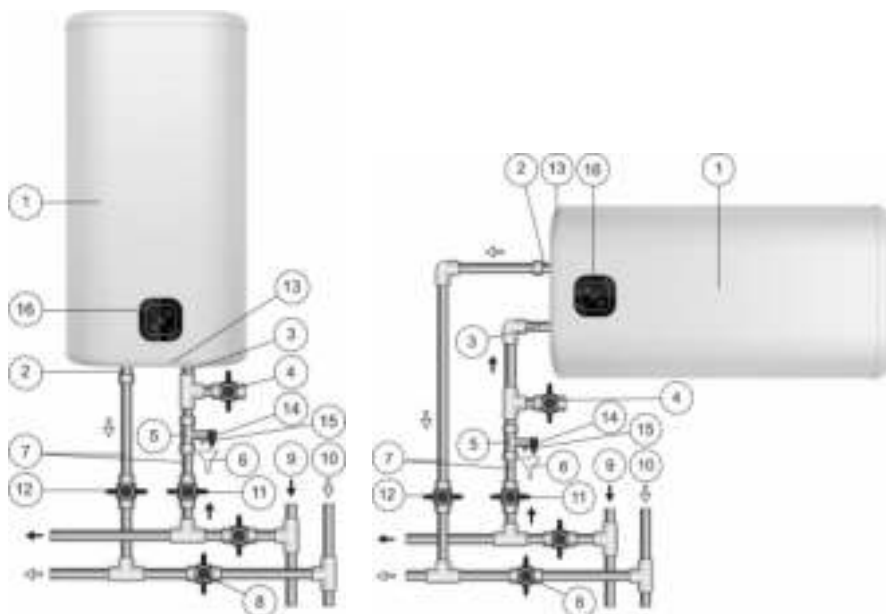


**Het is verboden om de EB te gebruiken zonder veiligheidsklep of een klep van andere fabrikanten te gebruiken.**

Tijdens de werking van de EB kunt u zien hoe de druppels van het afvoerkanaal van de veiligheidsklep verschijnen (ontlasting van te hoge druk wanneer het water wordt verwarmd). Het wordt aanbevolen om een rubberen of siliconen nieuwe buis met de juiste diameter aan het drainagekanaal te bevestigen om vocht af te voeren.

De aansluiting op het watertoevoersysteem wordt gemaakt in overeenstemming met figuur 1, alleen met behulp van koperen, plastic of kunststof buizen, evenals speciaal flexibel sanitair. Het is verboden om een flexibele sanitair te gebruiken die vroeger werd gebruikt. Het wordt aanbevolen om water toe te voeren aan de EB via een modderfilter dat is geïnstalleerd op de koudwaterleiding (niet inbegrepen in de leveringsset).





**Figuur 1:** 1 – EB, 2 – heet water mondstuk, 3 – koud water mondstuk, 4 – afvoerklep, 5 – veiligheidsventiel, 6 – drainage naar de riolering, 7 – toevoer, 8 – sluit de klep tijdens het gebruik van de EB, 9 – koudwaterleiding, 10 – warmwaterleiding, 11 – koud water afsluitklep, 12 – warm water afsluitklep, 13 – beschermkap, 14 – uitlaatpijp van veiligheidsklep, 15 – handvat voor het openen van de veiligheidsklep, 16 – bedieningspaneel.

Open na het aansluiten de koudwatervoorzieningsklep (Figuur 1, punt 11) in de EB, de warmwaterkraan uit de EB (Figuur 1, punt 12) en de warmwaterkraan op de mixer om te zorgen voor luchtafvoer uit de boiler. Wanneer de EB met een continue straal uit de kraan van de mixer wordt volledig gevuld, stroomt koud water. Sluit de warmwaterkraan op de mixer af.

Bij aansluiting van de EB op plaatsen die niet zijn uitgerust met waterleidingen, is het toegestaan om water naar de EB te voeren vanuit een hulptank die zich op een hoogte van niet minder dan 5 meter van de bovenkant van de EB bevindt, of met behulp van een pompstation.

Opmerking: om het onderhoud van de EB tijdens het gebruik te vergemakkelijken, wordt het aanbevolen om een afvoerklep (Figuur 1, punt 4) te installeren in overeenstemming met Figuur 1 (voor modellen die niet zijn uitgerust met een afvoerpijp (niet inbegrepen bij de levering van de EB)).

Als de druk in de waterleiding groter is dan 0,7 MPa, dan is het bij de inlaat voor de EB noodzakelijk om een reductieventiel te installeren (niet inbegrepen in de levering van de EB) om de waterdruk naar normaal te verlagen.

## INSCHAKKELEN VAN DE ELEKTRICITEIT



**Voor het inschakelen van de elektriciteit zorg ervoor dat de EB is gevuld met water.**

EB is voorzien van een netsnoer met een stekker.

Het stopcontact moet een aardingsklem hebben en op een plaats worden geplaatst die tegen vochtigheid wordt beschermd.

Capaciteit van het toestel is 2000 Watt. Het stopcontact en de bedrading moeten geschikt zijn voor een nominaal vermogen van minstens 2000W.

Steek de stekker in het stopcontact.

## EXPLOITATIE

**Figuur 2. Elektronisch bedieningspaneel**



**Figuur 2:** 1 –aan/uitknop «On/Off», 2 – verhoog/verlaagknop van de verwarmingstemperatuur «Temperature», 3 – indicators van de verwarmingstemperatuur (55°C, 65°C, 75°C), 4 – slimme modusknop «Smart», 5 – indicator van alarm «Alarm».

Inschakeling/uitschakeling van de EB wordt gedaan met de knop «On/Off» op het bedieningspaneel (Figuur 2, punt 1).

Tijdens de werking van de EB kan de gebruiker de verwarmingstemperatuur aanpassen met de knop "Temperatuur" (Afbeelding 2, punt 2). Als de doeltemperatuur kunnen de volgende waarden worden gekozen: 55 ° C, 65 ° C, 75 ° C (figuur 2, punt 3). Als u de temperatuur selecteert, knippert de indicator voor de opwarmtemperatuur vijf keer en gaat dan in gebruik. Wanneer de watertemperatuur lager is dan de ingestelde temperatuur, verwarmt de EB het water en knippert de indicator voor de temperatuur van de verwarming. Wanneer de watertemperatuur de ingestelde temperatuur bereikt, licht de verwarmingstemperatuurindicator constant op. Wanneer de boiler is ingeschakeld, is de standaard doeltemperatuur 65 °C.

Met de slimme modusknop "Smart" (Figuur 2, punt 4) kunt u de intelligente werking van de EB inschakelen. Tijdens de werking van deze modus kan de EB gewoontes van gebruikers van warm water bestuderen en vastleggen en warm water alvast

voorbereiden voor de volgende cyclus van water (7 dagen in een cyclus). In een tijd waarin gebruikers geen warm water nodig hebben, moet het water op een minimumtemperatuur worden gehouden. Zo kunt u comfort bereiken en energie besparen. Deze modus wordt gebruikt voor gebruikers die regelmatig warm water gebruiken. Om deze modus te activeren, drukt u op de slimme modusknop "Smart". Om de modus te verlaten, drukt u nogmaals op deze knop of schakelt u de EB uit.

Vorstbeveiligingsmodus "NO FROST". Wanneer de EB is ingeschakeld in het stopcontact, maar uitgeschakeld met de aan / uit-knop en de watertemperatuur daalt tot onder 5 °C, wordt de antivriesmodus automatisch ingeschakeld. Wanneer de watertemperatuur 10 °C bereikt, wordt de antivorstbeveiligingsmodus automatisch uitgeschakeld. Wanneer de vorstbeschermingsmodus is geactiveerd, licht de inschakelindicator op.

Als u de EB niet in de winter gebruikt en er is een kans dat de waterleiding en de boiler zelf bevroren, wordt het aanbevolen om de stroom uit te schakelen en het water uit de EB af te voeren om schade aan de interne tank te voorkomen.

## TECHNISCH ONDERHOUD

Periodiek onderhoud en tijdige vervanging van de magnesiumanode zijn onmisbare voorwaarden voor het werk op de lange termijn van de EB. Het niet naleven van deze vereisten vormt de basis voor het verwijderen van de EB van de garantieservice. Onderhoud en vervanging van de magnesiumanode zijn niet inbegrepen in de fabrieksgarantie.

Tijdens onderhoud worden de toestand van de magnesiumanode en de aanwezigheid van aanslag op de TEN gecontroleerd. Tegelijkertijd wordt het sediment verwijderd, dat zich kan ophopen in het onderste deel van de EB.

De magnesiumanode moet minstens om de twee jaar worden vervangen. Als het water een groot aantal chemische onzuiverheden bevat, moet de magnesiumanode vaker worden vervangen. De vorming van kalkaanslag op het verwarmingselement kan leiden tot uitval, wat geen garantie is en de vervanging is niet inbegrepen in de garantieverplichtingen van de fabrikant en de verkoper. Als er een aanslag op het verwarmingselement staat, kan deze worden verwijderd met behulp van ontkalkingsmiddelen of mechanisch. Gebruik bij het verwijderen van sediment van de EB geen overmatige kracht en geen schurende schoonmaakmiddelen om beschadiging van de beschermende coating van de binnentank te voorkomen.

Het belang van het eerste onderhoud is dat de intensiteit van de vorming van kalkaanslag en sediment, het verbruik van de magnesiumanode, de timing van het daaropvolgende onderhoud kan bepalen en als gevolg daarvan de levensduur van het EVN kan verlengen. Als niet aan de bovenstaande vereisten wordt voldaan, wordt de levensduur van het EVN verkort, de kans op EVN-storingen vergroot en de garantieverplichtingen beëindigd.



**Accumulatie van kalkaanslag op de TEN tijdens de exploitatie kan schade aan de TEN veroorzaken.**

Opmerking: Schade aan verwarmingselementen als gevolg van de vorming van kalkaanslag valt niet onder de garantie. Regelmatig onderhoud is niet inbegrepen in de garantieverplichtingen van de fabrikant en de verkoper.

- Voor het uitvoeren van onderhoud, moet u het volgende doen:
- schakel de voeding naar de EB uit;
- laat het hete water afkoelen of gebruik het door een mixer;
- blokkeer de stroom van koud water naar de EB;
- draai de veiligheidsklep los of open de afvoerklep;
- plaats de rubberen slang op de koudwaterinlaat of de afvoerklep en laat het tweede uiteinde in de riolering lopen;
- open de warmwaterkraan op de mixer en tap het water uit de EB af via de slang in het riool;
- verwijder de beschermkap, ontkoppel de kabels, draai de steunflens los en verwijder hem uit de behuizing;
- Maak de TEN schoon van het aanslag indien nodig en verwijder het bezinksel uit de tank;
- Monteer, vul het EB met water en schakel de stroom in.

Bij modellen met een afvoerpijp is het voldoende om het koude water dat de EB binnendringt, te blokkeren, de plug van de afvoerpijp te verwijderen en de warmwaterkraan te openen. Nadat het water is samengevoegd, kunt u de toevoer van koud water een tijdje openen naar de EB voor extra reiniging van de tank.

Bij het uitvoeren van technisch onderhoud van de EB door een gespecialiseerde organisatie, moet in de servicecoupon een overeenkomstige markering worden aangebracht.

### MOGELIJKE STORINGEN EN MANIEREN DEZE AAN TE PAKKEN.

Storing	Mogelijke reden	Manier van aanpak
De druk van heet water uit de EB nam af. Koudwaterdruk bleef hetzelfde	Verstopping van de inlaat van de veiligheidsklep	Verwijder de klep en spoel hem in water
Verhoogde verwarmingstijd	TEN werd bedekt met een laag aanslag	Verwijder de flens en maak de TEN schoon
	De elektrische netspanning is afgenomen	Neem contact op met de betreffende service van elektrische bediening
Frequente werking van de thermische uitschakelknop	Ingestelde temperatuur ligt dicht bij de limiet	Verminder temperatuur met behulp van «Temperature»-knop
	De thermostaatbuis is bedekt met aanslag	Haal de steunflens uit EB en verwijder voorzichtig aanslag van de buis
EB werkt, maar verwarmt geen water	Ventiel (Figuur 1, punt 8) is niet afgesloten of is kapot	Sluit het ventiel af of vervang hem (Figuur 1, punt 8)

Ingeschakelde EB verwarmt geen water. Op het bedieningspaneel ontbreekt indicatie	1) er is geen spanning in elektrisch netwerk; 2) een netwerkkabel is beschadigd.	1) Controleer aanwezigheid van de stroom in het stopcontact; 2) Neem contact op met het gespecialiseerde service centrum.
--	---	--

De bovengenoemde storingen zijn geen gebreken van de EB en kunnen worden verbeterd door de gebruiker zelfstandig of op zijn rekening.

**Figuur 3. Schema van de locatie van de thermische uitschakelknop**



In geval van binnenstoringen, wanneer de EB is uitgeschakeld, stuurt de indicator van het alarm 'Alarm' een alarmsignaal. Informatie over signalen staat in de tabel onderaan:

Indicatie	Mogelijke reden	Manier van aanpak
Indicator licht de hele tijd	Watertemperatuur is boven 88 °C	Schakel de EB uit en dan weer aan, en wanneer de temperatuur van het water minder 88 °C wordt, stopt de indicatie
Indicator knippert (met frequentie van 1 seconde)	Thermostaat is kapot	Neem contact op met het service centrum voor de vervanging van de thermostaat
Indicator knippert (frequentie 4 seconden)	Er is geen water in de tank, maar TEN is ingeschakeld	Zorg ervoor dat de tank met water is gevuld. Neem contact op met het service centrum voor de vervanging van de TEN als de TEN is doorgebrand

### TRANSPORTERING EN BEWARING VAN ELECTRICHE BOILERS

Transporteren en bewaring van elektrische boilers wordt gedaan in overeenstemming met de manipulatieve tekens op de verpakking:



— De noodzaak om de lading tegen vocht te beschermen



— Breekbaarheid van lading, voorwaarde van zorgvuldige behandeling



— Aanbevolen opslagtemperatuurbereik van lading: van +10°C tot +20°C



— Juiste verticale positie van vracht;

## UTILISATIE

In overeenstemming met de regels voor installatie, bediening, onderhoud van de EB en de conformiteit van de kwaliteit van het gebruikte water met de huidige normen, bepaalt de producent de levensduur van de EB tot 9 jaar.

Bij het afvoeren van de EB moeten de lokale milieuwetten en -aanbevelingen in acht worden genomen.

De fabrikant behoudt zich het recht voor om wijzigingen aan te brengen in het ontwerp en de specificaties van de EB zonder voorafgaande kennisgeving.

### GARANTIES VAN PRODUCENT

De producent stelt de garantieperiode voor de boiler 2 jaar vast, terwijl de garantievoorwaarden voor de componenten en componenten als volgt zijn:

- voor een waterhoudende container (binnentank) - 5 jaar;
- voor andere componenten (verwarmingselement, thermostaat, indicatielampen, pakkingen, temperatuurindicator, veiligheidsklep) - 2 jaar.

De garantieperiode wordt berekend vanaf de verkoopdatum van de EB. Bij afwezigheid of correctie van de datum van verkoop en het stempel van de winkel, wordt de garantieperiode berekend vanaf de datum van uitgifte van de EB. De productiedatum van de boiler is gecodeerd in een uniek serienummer op het identificatieplaatje op de EB-behuizing. Het serienummer van de EB bestaat uit dertien cijfers. Het derde en vierde cijfer van het serienummer is het jaar van uitgifte, de vijfde en zesde is de maand van uitgave, de zevende en achtste zijn de dag van de release van de EB. Claims tijdens de garantieperiode worden geaccepteerd als deze handleiding beschikbaar is met de merken van de verkoper en het identificatieplaatje op de EB-behuizing.

De garantie is alleen van toepassing op de EB. Het uitvallen van de veiligheidsklep of het elektrische netsnoer zijn geen reden voor het vervangen van de EB. De verantwoordelijkheid voor de naleving van de installatie- en verbindingregels ligt bij de koper (in geval van zelfaansluiting) of bij de installatieorganisatie die de verbinding tot stand heeft gebracht.

Periodiek onderhoud en tijdige vervanging van de magnesiumanode is een voorwaarde voor een langdurig gebruik van de EB en voor het behouden van de garantieverplichtingen van de fabrikant.

De eerste vervanging van de magnesiumanode moet gebeuren uiterlijk de 25e maand na de datum van installatie van de EB (indien er geen markering van installatie met de stempel van de montageorganisatie in de garantiekaart is, wordt de periode berekend vanaf de fabricagedatum van het apparaat). In de toekomst moet de magnesiumanode minstens één keer per jaar worden vervangen. Vervanging van de anode moet vergezeld gaan van een markering en zegel van de serviceorganisatie op de garantiekaart van het product.

Bij het installeren en gebruiken van de EB moet de gebruiker voldoen aan de vereisten die zorgen voor een probleemloze werking van het apparaat tijdens de garantieperiode:

- de veiligheidsmaatregelen en regels voor installatie, aansluiting, bediening en onderhoud uitvoeren die in deze handleiding worden beschreven;
- mechanische schade door nalatige opslag, transport en installatie uitsluiten;
- bevriezing van water in de EB uitsluiten;
- voor verwarming in EB water zonder mechanische en chemische onzuiverheden gebruiken (zie artikel 5);
- de EB met een goed werkende veiligheidsklep uit de EB-afleverkit bedienen (zie artikel 5).

De producent is niet aansprakelijk voor eventuele tekortkomingen die het gevolg zijn van schending door de consument van de regels voor installatie, bediening en het onderhoud van de EB beschreven in deze handleiding, inclusief in gevallen waarin deze tekortkomingen zijn ontstaan door onaanvaardbare parameters van de netwerken (elektriciteit en watervoorziening) waarin de EB wordt geëxploiteerd en door tussenkomst van derden. Claims over het uiterlijk van de EB vallen niet onder de fabrieksgarantie.

Reparatie, vervanging van onderdelen en componenten binnen de garantieperiode verlengt de garantieperiode voor de EB als geheel niet. De garantieperiode voor vervangen of gerepareerde componenten is één maand.

## INFORMATIE OVER DE PRODUCENT

### Producent:

THERMEX heating Technology (Jiangmen) CO., Ltd

No. 51, Jianshedonglu, Taoyuan town, Heshan City, Guangdong Province, PRC




**Alle modellen zijn gecertificeerd en voldoen aan de eisen van de Europese richtlijnen 2006/95/EC, 2004/108/EC.**

## VERKOOPNOTA

Model \_\_\_\_\_ Serie nr \_\_\_\_\_

Verkoopdatum « \_\_\_\_\_ » \_\_\_\_\_ 20 \_\_\_\_\_

Firma-verkoper: \_\_\_\_\_

Handtekening van de vertegenwoordiger van  
firma-verkoper \_\_\_\_\_

Stempel van  
firma-verkoper

Het product is volledig geleverd, ik heb geen enkele aanspraak op het uiterlijk van het product. De handleiding met de nodige markeringen heb ik ontvangen, met de regels van de werking en de voorwaarden van de garantie ben ik bekend en ik ga ermee akkoord.

Handtekening van koper: \_\_\_\_\_





**Avant la première utilisation du chauffe-eau électrique de stockage il est nécessaire de lire attentivement ce manuel d'utilisation**

**FR**

## **CHER CLIENT!**

Félicitations pour votre achat du chauffe-eau électrique de stockage «**THERMEX**». Nous sommes sûrs que la gamme varié de nos chauffe-eaux satisfasse tous vos besoins. L'utilisation des technologies modernes et des matériaux de haute qualité pour la fabrication de nos appareils entraînent la popularité et la confiance de la marque de commerce **THERMEX**..

Le chauffe-eau est élaboré et fabriqué en parfaite conformité avec les normes nationales et internationales qui garantissent la crédibilité et la sécurité de fonctionnement.

Le présent manuel d'utilisation concerne les modèles THERMEX ci-après: IF 30 (smart), IF 50 (smart), IF 80 (smart), IF 100 (smart). La dénomination complète de votre chauffe-eau est mentionnée dans le chapitre « Informations sur la vente » et sur la plaque d'identification sur le corps du chauffe-eau.

## **DESTINATION**

Le chauffe-eau est destiné à la production de l'eau chaude dans les locaux sociaux et industriels équipés de tuyauterie d'approvisionnement en eau froide avec les paramètres nécessaires.

Le chauffe-eau doit être utilisé dans les locaux fermés chauffés et il n'est pas destiné à l'utilisation continue sous circulation.

Le chauffe-eau (ci-après – CHE) est destiné pour approvisionner de l'eau chaude des objets industriels et publics, ayant la canalisation d'eau froide avec la pression de 0,05 MPA minimum et 0,7 MPa maximum.

## **LOT DE LIVRAISON**

36. Chauffe-eau .....	1 p.
37. Soupape de sûreté de type GP .....	1 p.
38. Manuel d'utilisation .....	1 p.
39. Emballage .....	1 p.
40. Cheville de fixation.....	1 lot

## **CARACTÉRISTIQUES TECHNIQUES PRINCIPALES**

La tension d'alimentation de tous les types et modèles CHE doit être dans les limites de 230 V  $\pm 10\%$ . La fréquence du réseau électrique d'alimentation 50 Hz  $\pm 1\%$ . Le volume du réservoir intérieur et la puissance de l'élément chauffant sont indiqués dans le tableau d'identification sur le corps de l'appareil. Le diamètre du filet des tuyaux de raccord pour l'entrée et la sortie de l'eau – G1/2.

**Le fabricant se réserve le droit de modifier la construction et les caractéristiques du chauffe-eau sans avis préalable.**

Marquage	Temps de chauffe moyenné à $\Delta T=45^{\circ}\text{C}$ avec la puissance de 2,0 kWt
IF 30 (smart)	39 min.
IF 50 (smart)	1 h. 06 min.
IF 80 (smart)	1 h. 45 min.
IF 100 (smart)	2 h. 12 min.

## DESCRIPTION ET MODE DE FONCTIONNEMENT DU CHAUFFE-EAU

Le corps extérieur de CHE est fabriqué en matériau plastique antichoc. Les réservoirs intérieurs ont le revêtement spécial en bio verre-porcelaine, protégeant fermement la surface intérieure contre la corrosion chimique. L'espace entre le corps extérieur et les réservoirs intérieurs est rempli avec de la mousse polyuréthane - isolement calorifuge moderne, pure dans le sens écologique, ayant les meilleures caractéristiques pour conserver la chaleur. Les modèles donnés ont deux tuyaux de raccord à visse: pour faire entrer l'eau froide (Figure 1, point 3) avec l'anneau bleu, et pour faire sortir l'eau chaude (Figure 1, point 2) – avec l'anneau rouge, ils sont équipés par le tuyau de raccord supplémentaire assurant le drainage (il est fermé par le bouchon métallique) pour évacuer l'eau et laver le réservoir intérieur (Figure 1, point 17). Sur le côté de face de CHE dans tous les modèles il y a le panneau de commande (Figure 1, point 16).

Sur la bride rapportée on a monté le radiateur de chauffage électrique tubulaire (CET) et les capteurs du thermostat et du thermocommutateur. CET sert pour chauffer l'eau et est commandé par le thermostat, ayant le réglage doux de température jusqu'à  $+75^{\circ}\text{C}$ . Tous les modèles sont commandés à l'aide du panneau électronique. L'équipement électronique entretient automatiquement la température de l'eau au niveau établi par l'utilisateur. Le thermocommutateur est destiné à la protection du chauffe-eau contre la surchauffe et à débrancher le chauffe-eau du réseau, si la température de l'eau dépasse  $95^{\circ}\text{C}$ . (Figure 3).

La soupape de sûreté accomplit les fonctions du clapet de non-retour en empêchant l'infiltration de l'eau du chauffe-eau au réseau de distribution en cas de chute de la pression dans le réseau et en cas d'augmentation de la pression dans le réservoir lors du chauffage, ainsi que les fonctions du clapet de protection en diminuant la pression dans le réservoir lors du chauffage. Lors du fonctionnement du chauffe-eau l'eau peut couler du tuyau d'échappement de la soupape de sûreté pour la décompression par mesure de sécurité. Ce tuyau d'échappement de la soupape de sûreté doit être ouvert et être installé vers le bas et dans l'environnement incongelable.

Il faut assurer l'évacuation de l'eau du tuyau d'échappement de la soupape de sûreté (Figure 1, point 14) vers la canalisation en prévoyant le drainage concerné lors du montage (Figure 1, point 6).

Il est indispensable de purger un peu d'eau régulièrement (une fois par mois au moins) à travers le tuyau d'échappement de la soupape de sûreté vers la canalisation pour éliminer les dépôts calcaires et pour vérifier la capacité de fonctionnement de la soupape. La soupape est équipée de poignée pour ouvrir (Figure 1, point 15). Il faut vérifier pour que cette poignée soit en position de fermeture du réservoir lors du chauffe-eau.

La sécurité électrique du chauffe-eau est garantie en cas de mise à la terre effective réalisée conformément aux règles de montage en vigueur des installations électriques.

Les tuyaux sanitaires et la robinetterie d'arrêt doivent être conformes aux paramètres du réseau de distribution de l'eau et avoir des certificats nécessaires.

Lors du montage et de l'utilisation du chauffe-eau il est interdit de:

- alimenter l'électricité, si le chauffe-eau n'est pas rempli avec de l'eau ;
- enlever le couvercle de protection en cas d'alimentation électrique branchée ;
- utiliser le chauffe-eau sans mise à la terre;
- connecter le chauffe-eau au réseau de distribution d'eau avec la pression de plus de 0,7 MPa;
- connecter le chauffe-eau au réseau de distribution d'eau soupape de sûreté;
- purger de l'eau du chauffe-eau en cas d'alimentation électrique branchée ;
- utiliser les pièces de rechange non recommandées par le fabricant ;
- utiliser l'eau du chauffe-eau pour préparer le repas ;
- utiliser l'eau avec des impuretés mécaniques (sable, petites pierres) qui peuvent dégrader le fonctionnement du chauffe-eau et de la soupape de sûreté
- modifier la construction et les dimensions des supports du chauffe-eau .

la température de l'environnement de l'utilisation du chauffe-eau doit être dans la limite de 3°C jusqu'à 40°C. La congélation de l'eau dans le chauffe-eau sous température négative entraîne son dysfonctionnement ce qui n'est pas couvert par la garantie



**Les enfants ne doivent pas jouer avec le chauffe-eau. Le chauffe-eau n'est pas destiné à l'utilisation par les personnes (y compris enfants) dont les capacités physiques, sensitives ou psychiques sont réduites et par les personnes qui ne savent pas utiliser le chauffe-eau, sauf les cas de l'utilisation sous le contrôle ou selon les instructions des personnes responsables de la sécurité du chauffe-eau**

## INSTALLATION ET CONNEXION

Tous les travaux de montage, sanitaires et électromécaniques doivent être effectués par le personnel qualifié.

## PLACEMENT ET INSTALLATION

L'installation du chauffe-eau est effectuée conformément au marquage sur le corps et au tableau suivant :

Marquage	Placement
IF 30 (smart)	Montage vertical ; tuyaux de raccord vers le bas; Montage horizontal, tuyaux de raccord vers la gauche
IF 50 (smart)	
IF 80 (smart)	
IF 100 (smart)	

Il est recommandé d'installer le chauffe-eau près du lieu de l'utilisation de l'eau chaude pour diminuer les pertes de la chaleur dans les tuyaux.

Lors du perçage des murs il faut prendre en considération les câbles, les canaux et les tuyaux. En choisissant le lieu du montage il faut prendre en considération le poids total du chauffe-eau rempli avec de l'eau. Il faut renforcer le mur et le plancher de capacité du chargement.

Le chauffe-eau est suspendu sur le support du corps à l'aide des chevilles fixées contre le mur. Le montage des crochets doit exclure le déplacement spontané des supports du chauffe-eau.

Pour l'entretien du chauffe-eau la distance entre le couvercle de protection et la surface la plus proche dans la direction de la flasque de serrage doit être de 30 centimètres.



**Pour éviter les dommages aux biens de l'utilisateur et (ou) des tiers en cas des défauts du système de distribution de l'eau chaude, il faut monter le chauffe-eau dans les locaux avec l'isolation hydrofuge des planchers et le drainage dans la canalisation, il est interdit de placer les objets vulnérables par eau sous le chauffe-eau. En disposant le chauffe-eau dans les locaux non protégés il faut installer le plateau de protection sous le chauffe-eau (ne fait pas partie du lot de livraison du chauffe-eau) avec le drainage dans la canalisation.**

En disposant le chauffe-eau dans les endroits non accessibles pour l'entretien technique et de garantie (entresols, niches, espaces de plafond etc), le consommateur effectue le montage et le démontage du chauffe-eau lui-même.

Remarque: le plateau de protection ne fait pas partie du lot de livraison de CHE.

## CONNEXION AU RÉSEAU DE DISTRIBUTION DE L'EAU

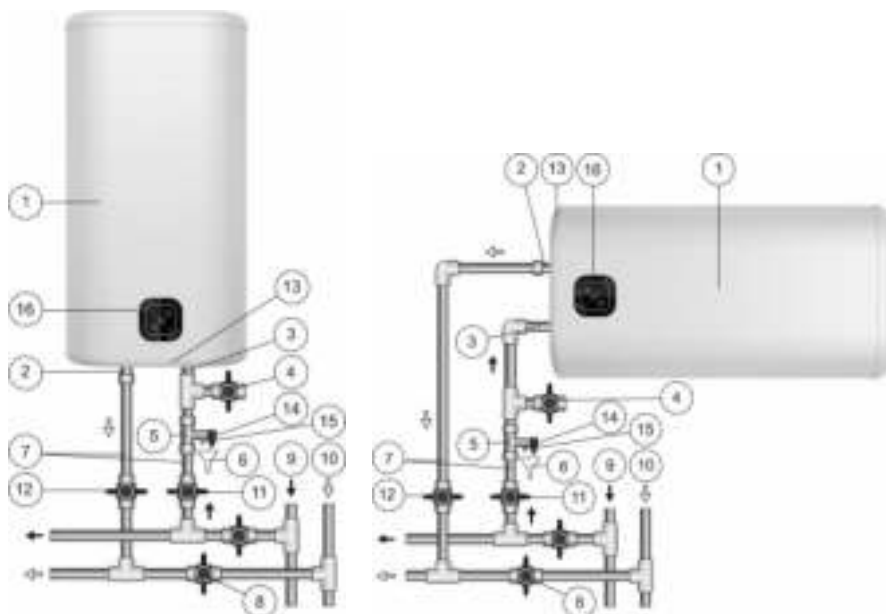
Installer la soupape de sûreté (Figure 1, point 5) à l'entrée de l'eau froide (anneau bleu) de 3,5 - 4 tours, en assurant l'étanchéité de la connexion (lin, bande etc).



**Il est interdit d'utiliser le chauffe-eau sans soupape de sûreté ou utiliser les soupapes de sûreté d'autres fabricants.**

Pendant l'exploitation de CHE vous pouvez observer l'apparition des gouttes du bec draineur de la soupape de sécurité (décharge de la surpression au chauffage d'eau). Il est recommandé de connecter au bec draineur le tube en caoutchouc ou en silicone avec le diamètre correspondant pour évacuer l'eau.

La connexion au réseau de distribution de l'eau est effectuée conformément à la figure 1 à l'aide des tuyaux en cuivre, métaloplastique et plastique et des tuyaux flexibles sanitaires. Il est interdit d'utiliser les tuyaux flexibles usés. Il est recommandé d'amener l'eau dans CHE par le filtre collecteur de boue installé sur la conduite de l'eau froide (ne fait pas partie du lot de livraison).



**Рисунок 1:** 1 – Chauffe-eau, 2 – Tuyau de connexion de l'eau chaude, 3 – Tuyau de connexion de l'eau froide, 4 – Soupape de purge, 5 – Soupape de sûreté, 6 – Drainage aux égouts, 7 – Tuyauterie d'amenée, 8 – Fermer le robinet d'arrêt pendant l'exploitation du chauffe-eau, 9 – Tuyauterie d'approvisionnement en eau froide, 10 – Tuyauterie d'approvisionnement en eau chaude, 11 – Robinet d'arrêt de l'amenée de l'eau froide, 12 – Robinet d'arrêt de l'amenée de l'eau chaude, 13 – Couverture de protection, 14 – tuyau d'échappement de la soupape de sécurité, 15 – manche pour ouvrir la soupape de sécurité, 16 – panneau de commande.

Après la connexion ouvrez le robinet d'amenée de l'eau froide воды (Figure 1, point 11) dans le chauffe-eau, le robinet de sortie de l'eau chaude du chauffe-eau (Figure 1, point 12) et le robinet de l'eau chaude du mélangeur pour assurer l'évacuation de l'air du chauffe-eau. Quand le chauffe-eau aura été rempli, l'eau coulera du robinet. Fermez le robinet de l'eau chaude du mélangeur.

Lors de l'installation du chauffe-eau dans les endroits sans réseau de distribution de l'eau il est admis d'amener l'eau du réservoir complémentaire en utilisant la station de pompage ou du réservoir situé à la hauteur de 5 m au moins du point le plus haut du chauffe-eau.

Attention: Pour faciliter le service du chauffe-eau pendant l'opération il est recommandé d'installer la soupape de purge (Рисунок 1, пункт 4) conformément au dessin 1 (pour les modèles non équipés par le tuyau de raccord d'évacuation (ne fait pas partie du lot de livraison de CHE)).

Si la pression dans le réseau de distribution de l'eau dépasse 0.7 MPa, il faut installer la soupape concernée (ne fait pas partie du lot de livraison de CHE) de réduction

de la pression de l'eau froide jusqu'à la norme à l'entrée de l'eau froide dans le chauffe-eau avant la soupape de sûreté.

## CONNEXION AU RÉSEAU ÉLECTRIQUE



**Avant de brancher l'alimentation électrique assurez que le chauffe-eau est rempli avec de l'eau.**

Le chauffe-eau est équipé de câble du réseau avec la fiche.

La prise électrique doit avoir le contact de mise à la terre et être disposée dans un endroit protégé contre l'infiltration de l'eau

La puissance de l'appareil fait 2000 Wt. La prise de courant et le câblage électrique y connecté doivent être désignés pour la puissance nominale de 2000 Wt au moins.

Faire glisser la fourchette dans la prise de courant.

## OPÉRATION

**Figure 2. Panneau électronique de commande**



**Figure 2:** 1 – bouton de mise en marche/arrêt «On/Off», 2 – bouton d'augmentation/réduction de la température de chauffage «Temperature», 3 – afficheurs de la température de chauffage (55°C, 65°C, 75°C), 4 – bouton de mode intelligent «Smart», 5 – afficheur de l'avertisseur d'alarme «Alarm».

La mise en marche/arrêt de CHE se fait par le bouton sur le panneau de commande «On/Off» (Figure 2, point 1).

Pendant le procès de l'exploitation de CHE l'utilisateur peut régler la température de chauffe à l'aide du bouton «Temperature» (Figure 2, point2). En qualité de la température cible on peut choisir les valeurs ci-après: 55°C, 65°C, 75°C (Figure 2, point 3). Quand vous choisissez la température l'afficheur de la température de chauffe clignotera cinq fois, et après il passe à l'état de fonctionnement. Quand la température de l'eau est plus basse que celle indiquée, CHE chauffe l'eau et l'afficheur de la température de chauffe clignote. Quand la température de l'eau arrive à la température indiquée l'afficheur de la température de chauffe est allumé constamment. Quand le chauffe-eau se met en marche, la température cible par défaut fait 65 °C.

A l'aide du bouton du mode intelligent «Smart» (Figure 2, point 4) on peut mettre en marche le mode intelligent de fonctionnement de CHE. Pendant le fonctionnement de ce mode CHE peut étudier et enregistrer l'habitude des utilisateurs d'utiliser l'eau chaude et préparer d'avance l'eau chaude pour le cycle suivant de l'eau (7 jours dans le cycle). Pendant la période quand les utilisateurs n'ont pas besoin de l'eau chaude ce mode peut maintenir l'eau à la température minimum. Ainsi on peut obtenir le confort et l'économie de l'énergie. Ce mode est destiné pour les utilisateurs qui consomment régulièrement l'eau chaude. Pour mettre en marche ce mode pressez le bouton du mode intelligent «Smart». Pour quitter ce mode pressez de nouveau ce bouton ou bien arrêtez CHE.

Mode de protection contre la congélation «NO FROST». Quand CHE est connecté au réseau mais n'est pas mis en marche à l'aide du bouton «On/Off», et la température de l'eau fait moins de 5 °C, le mode de protection contre la congélation se met en marche automatiquement. Quand la température de l'eau arrive à 10 °C, le mode de protection contre la congélation s'arrête automatiquement. Quand le mode de protection contre la congélation se met en marche, l'afficheur de mise en marche s'allume.

Si vous n'utilisez pas CHE pendant la période d'hiver et il existe la possibilité de congélation des conduites d'eau, il est recommandé de déconnecter l'alimentation et évacuer l'eau de CHE pour éviter l'endommagement du réservoir intérieur.

## ENTRETIEN

L'entretien et le remplacement de l'anode en magnésium sont les conditions obligatoires pour le fonctionnement de longue durée du chauffe-eau. Le non-respect de ces conditions est le motif de refus de garantie. L'entretien et le remplacement de l'anode en magnésium sont effectués une fois par an au moins et ne sont pas couverts de garantie du fabricant et du vendeur.

Lors de l'entretien il faut vérifier l'état de l'anode en magnésium et la présence de dépôts sur le chauffe-eau tubulaire. En même temps les dépôts dans la partie basse du chauffe-eau sont éliminés.

L'anode en magnésium doit être rechangée tous les deux ans minimum. Si l'eau contient les contaminants chimiques à haute dose, l'anode en magnésium doit être rechangée plus souvent. L'entartrage dans le chauffe-eau peut le mettre en panne, cela n'étant pas le cas de garantie, le remplacement n'est pas couvert par la garantie du producteur et le vendeur. En cas de formation des dépôts, éliminez à l'aide des nettoyeurs spéciaux ou mécaniquement. En cas d'élimination des dépôts, il ne faut pas d'appliquer trop d'efforts et utiliser les nettoyeurs abrasifs pour ne pas éviter le revêtement du réservoir intérieur.

Le premier entretien est important parce que l'intensité de formation des dépôts et la consommation de l'anode en magnésium aident à définir les délais des entretiens ultérieurs et par conséquent à prolonger la durée d'utilisation. En cas de non-respect des exigences mentionnées la durée d'utilisation diminue et la probabilité de panne du chauffe-eau augmente, la garantie ne demeure pas valable



**La formation des dépôts sur le chauffe-eau tubulaire peut entraîner sa détérioration.**

NOTE : La détérioration du chauffe-eau tubulaire à cause des dépôts n'est pas couverte par la garantie. L'entretien régulier ne fait pas partie des obligations contractuelles du fabricant et du vendeur.

Pour l'entretien il faut effectuer les opérations suivantes ::

- Débrancher l'alimentation électrique du chauffe-eau.;
- Laisser refroidir l'eau chaude ou purger à travers le mélangeur;
- Fermer l'amenée de l'eau froide dans le chauffe-eau.;
- Dévisser la soupape de sûreté ou ouvrir la soupape de purge;
- Connecter le tuyau en caoutchouc au tuyau d'amenée de l'eau froide, diriger le deuxième bout dans la canalisation;
- Ouvrir le robinet de l'eau chaude du mélangeur et purger l'eau du chauffe-eau à travers le tuyau dans la canalisation;
- Enlever le couvercle, débrancher les fils, dévisser et retirer la bride de fixation du corps;
- Nettoyer si nécessaire le chauffe-eau tubulaire et éliminer les dépôts du réservoir;
- Faire le montage, remplir le chauffe-eau avec de l'eau et brancher l'alimentation.

Dans les modèles équipés du tuyau draineur il suffit d'arrêter l'amenée de l'eau froide dans CHE, dévisser le bouchon sur le tuyau draineur et ouvrir le robinet de l'eau chaude. Quand l'eau sera évacuée vous pouvez ouvrir l'amenée de l'eau froide à CHE pour quelque temps pour réaliser le lavage supplémentaire du réservoir.

Lors de l'entretien du chauffe-eau par le service spécialisé le personnel fait l'inscription concernée dans le bon de service.

### DEFAILLANCES POSSIBLES ET METHODES DE LEUR ELIMINATION.

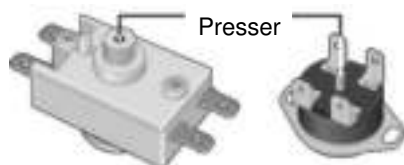
Défaillance	Cause possible	Méthode de l'élimination
Diminution de la pression d'eau dans le chauffe-eau La pression d'eau est conservée	Obstruction de l'orifice d'aspiration de la soupape de sûreté	Enlevez la soupape et la lavez à l'eau
Augmentation du temps de chauffage	Couche des dépôts dans le chauffe-eau tubulaire	Démontez la flasque de serrage et nettoyez le chauffe-eau de calcin
	Diminution de la tension du réseau	Appelez au service d'exploitation du réseau électrique
Déclenchement fréquent du thermocommutateur	La température établie est près de la température limite	A l'aide du bouton «Temperature» réduire la température
	Le tube du dispositif de régulation thermostatique a des traces de dépôts	Sortir de CHE la bride d'appui et nettoyer soigneusement le tuyau de la crasse.
CHE marche mais ne chauffe pas l'eau	Le robinet (Figure 1, point 8) n'est pas fermé ou est en panne.	Fermer ou remplacer le robinet (Figure 1, point 8)



Le chauffe-eau branché au réseau électrique ne chauffe pas l'eau. Il n'y a pas d'affichage sur le panneau de commande	1) il n'y a pas de tension dans le réseau électrique; 2) le fil de réseau est endommagé.	1) Contrôlez la présence de la tension dans la prise de courant électrique; 2) Adressez-vous au centre de service spécialisé.
---	---	--

Les défaillances mentionnées ne sont pas les défauts du chauffe-eau et elles sont éliminées par l'utilisateur ou par les services spécialisés pour le compte de l'utilisateur.

**Figure 3. Schéma de placement du bouton de thermocommutateur**



Dans le cas d'apparition de la panne intérieure quand le chauffe-eau est arrêté, l'afficheur de la signalisation d'alarme «Alarm» enverra le signal d'alarme. Information sur les signaux est présentée dans le tableau ci-dessous:

Affichage	Cause possible	Moyen de l'élimination
L'afficheur est allumé constamment.	La température de l'eau a dépassé 88 °C	Arrêter et mettre en marche de nouveau CHE ; et quand la température de l'eau sera moins que 88 °C, l'affichage s'arrêtera.
Afficheur clignote (fréquence 1 seconde)	Thermostat est en panne.	Adressez-vous au centre de service pour remplacer le thermostat.
Afficheur clignote (fréquence 4 secondes)	Il n'y a pas d'eau à l'intérieur du réservoir et l'élément chauffant est mis en marche.	Vérifiez si le réservoir est rempli de l'eau. Adressez-vous au centre de service pour remplacer l'élément de chauffe si l'élément chauffant a grillé.

## TRANSPORT ET STOCKAGE DES CHAUFFE-EAUX ELECTRIQUES

Transport et stockage des chauffe-eaux électriques se réalisent en conformité des symboles de manipulation sur l'emballage:



— Nécessité de protéger le produit contre l'humidité



— Fragilité du produit, condition de manipulation prudente



— Gamme de température recommandée pour le stockage des produits: de +10°C à +20°C



— Position verticale régulière du produit;

## RÉCUPÉRATION

En cas de respect des règles de l'utilisation, de l'installation et de l'entretien du chauffe-eau et de conformité de la qualité de l'eau utilisée aux normes en vigueur, le fabricant établit le délai de service de 9 ans dès l'achat du chauffe-eau

Pendant l'utilisation de CHE il est nécessaire de respecter les lois écologiques locales et les recommandations.

Le fabricant se réserve le droit de modifier la construction et les caractéristiques du chauffe-eau sans avis préalable.

## GARANTIES DU FABRICANT

Le fabricant établit le délai de garantie du chauffe-eau de 2 ans, avec cela le délai de garantie des composants sont :

- réservoir (intérieur) - 5 ans;
- d'autres composants (élément chauffant, dispositif de régulation thermostatique, lampes-indicateurs, joints, indicateur de la température, soupape de sûreté) -2 ans.

Le délai de garantie est calculé à partir de la date de vente du chauffe-eau. En cas d'absence ou de correction de la date de vente et du cachet du magasin, le délai de garantie est calculé à partir de la date du chauffe-eau. Date de fabrication du chauffe-eau est chiffré dans le numéro de série original sur la plaque d'identification de la couvercle du corps du chauffe-eau. Le numéro de série du chauffe-eau se compose de treize chiffres. Le troisième et le quatrième chiffre du numéro de série est l'année de fabrication, le cinquième et le sixième — le mois de fabrication, le septième et le huitième — le jour de fabrication du chauffe-eau. Toutes les réclamations pendant la période de garantie sont acceptées sous réserve de présentation ce manuel d'utilisation avec les marques de la firme productrice et la plaque d'identification sur le corps du chauffe-eau.

La garantie ne couvre que le chauffe-eau. La panne de la soupape de sécurité ou bien du fil d'alimentation ne donnent pas droit au remplacement de CHE. L'acheteur (en cas de connexion par l'utilisateur) ou le service de montage sont responsables du respect des règles de l'installation et de la connexion.

L'entretien et le remplacement de l'anode en magnésium sont les conditions obligatoires pour le fonctionnement de longue durée du chauffe-eau et pour la conservation des obligations de garantie du fabricant.

Le premier remplacement de l'anode magnésique doit se réaliser pas plus tard que le 25-ième mois après la date d'installation de CHE (dans le cas de l'absence de la marque sur l'installation avec le cachet de l'organisation ayant réalisé le montage, le délai se calcule à partir de la date de production de l'appareil). Ensuite l'anode magnésique doit être remplacée une fois par an au plus rare. Le remplacement de l'anode doit être accompagné par la marque et le cachet de l'organisation de service dans le talon de garantie du produit.

Lors de l'installation et de l'utilisation du chauffe-eau l'utilisateur est obligé de respecter les exigences assurant le travail sans panne pendant la durée de garantie :

- effectuer les mesures de sécurité et les règles de l'installation, de la connexion, de l'utilisation et l'entretien mentionnés dans le présent manuel;

- exclure les détériorations mécaniques lors du stockage, du transport et du montage ;
- exclure les détériorations de l'appareil suite à congélation de l'eau dedans;
- utiliser pour le chauffage l'eau sans additions mécaniques et chimiques (à voir le paragraphe 5).
- utiliser le chauffe-eau avec la soupape de sûreté en bon état du lot de la livraison du chauffe-eau (à voir le paragraphe 5).

Le fabricant n'est pas responsable des défauts à cause de la violation par le consommateur des règles de l'utilisation, de l'installation et de l'entretien du chauffe-eau mentionnées dans le présent manuel (y compris à cause des paramètres inadmissibles du réseau électrique et de distribution de l'eau) et à cause de l'intervention des tiers. Les réclamations de l'aspect général du chauffe-eau ne sont pas couvertes par la garantie.

La réparation et le remplacement des composants pendant le délai de garantie ne prolonge pas la durée de garantie en général. Le délai de garantie des composants réparés ou remplacés est d'un mois..

## FABRICANT

### Fabricant:

THERMEX heating Technology (Jiangmen) CO., Ltd

No. 51, Jianshedonglu, Taoyuan town, Heshan City, Guangdong Province, PRC




**Tous les modèles sont certifiés et sont conformes aux dispositions du Règlement technique de l'Union douanière 2006/95/EC, 2004/108/EC.**

## MARQUE DE VENTE

Modèle \_\_\_\_\_ N° de série \_\_\_\_\_

Date de vente « \_\_\_\_\_ » \_\_\_\_\_ 20 \_\_\_\_\_ r.

Firme productrice: \_\_\_\_\_

Signature de l'agent  
de la firme productrice \_\_\_\_\_Sceau de la firme  
productrice

Le produit est complété, je n'ai aucune prétention par rapport à l'apparence du produit. Le manuel d'utilisation aux marques nécessaires reçu, les règles d'exploitation et les conditions de garantie lus et approuvés.

Signature du Client: \_\_\_\_\_



WARRANTY CERTIFICATE 1 / ГАРАНТИЙНЫЙ ТАЛОН ТАЛОН 1 /  
 GARANTIJAS TALONS 1 / GARANTINIS TALONAS 1 / GARANTIITALONG 1 /  
 GARANTIEZETTEL 1 / GARANTIEKAART 1 / BON DE GARANTIE 1

<b>Model / Модель / Modelis / Modelis / Mudel / Ausführung / Model / Modèle</b>		Dealer's seal / Печать фирмы продавца / Pārdevēja zīmogs / Īmonēs pardavējos antspaudas / Mūtiņafirma pitser / Siegel des verkäufers / Stempel van firma verkoper / Sceau de la firme productrice
<b>Serial No. / Серийный номер / Sērijas numurs / Serijinis Nr. / Serienumber / Serie / Serie nr / Numéro de série</b>		
<b>Date of sale / Дата продажи / Pārdošanas datums / Pardavimo data / Müügi kuupäev / Verkaufsdatum / Verkoopdatum / Date de vente</b>		
<b>Dealer / Фирма продавец / Pārdevējs / Pardavėjas / Müügifirma / Verkäufer / Firma verkoper / Firme productrice</b>		

To be filled by the dealer / Заполняется фирмой продавцом / Aizpilda pārdevējs / Pildo ģimonē pardavēja / Tāidab mūtiņafirma / Wird von dem verkäufer ausgefüllt / Wordt ingevuld door firma-verkoper / À remplir uniquement par la firme productrice



WARRANTY CERTIFICATE 2 / ГАРАНТИЙНЫЙ ТАЛОН ТАЛОН 2 /  
 GARANTIJAS TALONS 2 / GARANTINIS TALONAS 2 / GARANTIITALONG 2 /  
 GARANTIEZETTEL 2 / GARANTIEKAART 2 / BON DE GARANTIE 2

<b>Model / Модель / Modelis / Modelis / Mudel / Ausführung / Model / Modèle</b>		Dealer's seal / Печать фирмы продавца / Pārdevēja zīmogs / Īmonēs pardavējos antspaudas / Mūtiņafirma pitser / Siegel des verkäufers / Stempel van firma verkoper / Sceau de la firme productrice
<b>Serial No. / Серийный номер / Sērijas numurs / Serijinis Nr. / Serienumber / Serie / Serie nr / Numéro de série</b>		
<b>Date of sale / Дата продажи / Pārdošanas datums / Pardavimo data / Müügi kuupäev / Verkaufsdatum / Verkoopdatum / Date de vente</b>		
<b>Dealer / Фирма продавец / Pārdevējs / Pardavėjas / Müügifirma / Verkäufer / Firma verkoper / Firme productrice</b>		

To be filled by the dealer / Заполняется фирмой продавцом / Aizpilda pārdevējs / Pildo ģimonē pardavēja / Tāidab mūtiņafirma / Wird von dem verkäufer ausgefüllt / Wordt ingevuld door firma-verkoper / À remplir uniquement par la firme productrice

<b>Date of acceptance / Дата приема / Saņemšanas datums / Priēmimo data / Vastuvōtu kuupāev / Aufnahmetermin / Datum van ontvangst / Date d'acceptance</b>		Stamp of service center / Печать сервисного центра / Servisa centra zīmogs / Aptarnavimo centro antspaudas / Teeninduskeskuse pitser / Siegel des servicebetriebs / Stempel van servicecentrum / Sceau du service client
<b>Issue date / Дата выдачи / Izsniegšanas datums / Išdavimo data / Vājlaandmise kuupāev / Ausgabetermin / Datum van uitgifte / Date de délivrance</b>		
<b>Defect / Дефект / Defekts / Defektas / Rīke / Defekt / Gebrek / Défaut</b>		
<b>Executed work / Выполненная работа / Izpildītais darbs / Atlikti darbi / Tehtud töö / Durchgeführte Arbeiten / Gedane werkzaamheden / Travail produit</b>		
<b>Expert (full name) / Специалист (имя) / Meistars / Meistras / Spetsialist (nimi) / Fachspezialist (name) Vakkundige (naam) / Réparateur (nom, prénom)</b>		

Filled in by service center / Заполняется сервисным центром / Aizpilda servisa centrs / Pildo aptarnavimo centras / Täidab teeninduskeskus / Wird von dem Servicebetrieb ausgefüllt / Wordt ingevuld door het servicecentrum / À remplir uniquement par le service client

<b>Date of acceptance / Дата приема / Saņemšanas datums / Priēmimo data / Vastuvōtu kuupāev / Aufnahmetermin / Datum van ontvangst / Date d'acceptance</b>		Stamp of service center / Печать сервисного центра / Servisa centra zīmogs / Aptarnavimo centro antspaudas / Teeninduskeskuse pitser / Siegel des servicebetriebs / Stempel van servicecentrum / Sceau du service client
<b>Issue date / Дата выдачи / Izsniegšanas datums / Išdavimo data / Vājlaandmise kuupāev / Ausgabetermin / Datum van uitgifte / Date de délivrance</b>		
<b>Defect / Дефект / Defekts / Defektas / Rīke / Defekt / Gebrek / Défaut</b>		
<b>Executed work / Выполненная работа / Izpildītais darbs / Atlikti darbi / Tehtud töö / Durchgeführte Arbeiten / Gedane werkzaamheden / Travail produit</b>		
<b>Expert (full name) / Специалист (имя) / Meistars / Meistras / Spetsialist (nimi) / Fachspezialist (name) Vakkundige (naam) / Réparateur (nom, prénom)</b>		

Filled in by service center / Заполняется сервисным центром / Aizpilda servisa centrs / Pildo aptarnavimo centras / Täidab teeninduskeskus / Wird von dem Servicebetrieb ausgefüllt / Wordt ingevuld door het servicecentrum / À remplir uniquement par le service client



WARRANTY CERTIFICATE 3 / ГАРАНТИЙНЫЙ ТАЛОН ТАЛОН 3 /  
 GARANTIJAS TALONS 3 / GARANTINIS TALONAS 3 / GARANTIITALONG 3 /  
 GARANTIEZETTEL 3 / GARANTIEKAART 3 / BON DE GARANTIE 3

<b>Model / Модель / Modelis / Modelis / Mudel / Ausführung / Model / Modèle</b>		Dealer's seal / Печать фирмы продавца / Pārdevēja zīmogs / Īmonēs pardavējos antspaudas / Mūtiņafirma pitser / Siegel des verkäufers / Stempel van firma verkoper / Sceau de la firme productrice
<b>Serial No. / Серийный номер / Sērijas numurs / Serijinis Nr. / Seerianumber / Serie / Serie nr / Numéro de série</b>		
<b>Date of sale / Дата продажи / Pārdošanas datums / Pardavimo data / Müügi kuupäev / Verkaufsdatum / Verkoopdatum / Date de vente</b>		
<b>Dealer / Фирма продавец / Pārdevējs / Pardavėjas / Müügifirma / Verkäufer / Firma verkoper / Firme productrice</b>		

To be filled by the dealer / Заполняется фирмой продавцом / Aizpilda pārdevējs / Pildo ģimonē pardavēja / Täidab mütiņafirma / Wird von dem verkäufer ausgefüllt / Wordt ingevuld door firma-verkoper / À remplir uniquement par la firme productrice



WARRANTY CERTIFICATE 4 / ГАРАНТИЙНЫЙ ТАЛОН ТАЛОН 4 /  
 GARANTIJAS TALONS 4 / GARANTINIS TALONAS 4 / GARANTIITALONG 4 /  
 GARANTIEZETTEL 4 / GARANTIEKAART 4 / BON DE GARANTIE 4

<b>Model / Модель / Modelis / Modelis / Mudel / Ausführung / Model / Modèle</b>		Dealer's seal / Печать фирмы продавца / Pārdevēja zīmogs / Īmonēs pardavējos antspaudas / Mūtiņafirma pitser / Siegel des verkäufers / Stempel van firma verkoper / Sceau de la firme productrice
<b>Serial No. / Серийный номер / Sērijas numurs / Serijinis Nr. / Seerianumber / Serie / Serie nr / Numéro de série</b>		
<b>Date of sale / Дата продажи / Pārdošanas datums / Pardavimo data / Müügi kuupäev / Verkaufsdatum / Verkoopdatum / Date de vente</b>		
<b>Dealer / Фирма продавец / Pārdevējs / Pardavėjas / Müügifirma / Verkäufer / Firma verkoper / Firme productrice</b>		

To be filled by the dealer / Заполняется фирмой продавцом / Aizpilda pārdevējs / Pildo ģimonē pardavēja / Täidab mütiņafirma / Wird von dem verkäufer ausgefüllt / Wordt ingevuld door firma-verkoper / À remplir uniquement par la firme productrice

<b>Date of acceptance / Дата приема / Saņemšanas datums / Priēmimo data / Vastuvōtu kuupāev / Aufnahmetermin / Datum van ontvangst / Date d'acceptance</b>		Stamp of service center / Печать сервисного центра / Servisa centra zīmogs / Aptarnavimo centro antspaudas / Teeninduskeskuse pitser / Siegel des servicebetriebs / Stempel van servicecentrum / Sceau du service client
<b>Issue date / Дата выдачи / Izsniegšanas datums / Išdavimo data / Vājlaandmise kuupāev / Ausgabetermin / Datum van uitgifte / Date de délivrance</b>		
<b>Defect / Дефект / Defekts / Defektas / Rīke / Defekt / Gebrek / Défaut</b>		
<b>Executed work / Выполненная работа / Izpildītais darbs / Atlikti darbai / Tehtud töö / Durchgeführte Arbeiten / Gedane werkzaamheden / Travail produit</b>		
<b>Expert (full name) / Специалист (имя) / Meistars / Meistras / Spetsialist (nimi) / Fachspezialist (name) Vakkundige (naam) / Réparateur (nom, prénom)</b>		

Filled in by service center / Заполняется сервисным центром / Aizpilda servisa centrs / Pildo aptarnavimo centras / Täidab teeninduskeskus / Wird von dem Servicebetrieb ausgefüllt / Wordt ingevuld door het servicecentrum / À remplir uniquement par le service client

<b>Date of acceptance / Дата приема / Saņemšanas datums / Priēmimo data / Vastuvōtu kuupāev / Aufnahmetermin / Datum van ontvangst / Date d'acceptance</b>		Stamp of service center / Печать сервисного центра / Servisa centra zīmogs / Aptarnavimo centro antspaudas / Teeninduskeskuse pitser / Siegel des servicebetriebs / Stempel van servicecentrum / Sceau du service client
<b>Issue date / Дата выдачи / Izsniegšanas datums / Išdavimo data / Vājlaandmise kuupāev / Ausgabetermin / Datum van uitgifte / Date de délivrance</b>		
<b>Defect / Дефект / Defekts / Defektas / Rīke / Defekt / Gebrek / Défaut</b>		
<b>Executed work / Выполненная работа / Izpildītais darbs / Atlikti darbai / Tehtud töö / Durchgeführte Arbeiten / Gedane werkzaamheden / Travail produit</b>		
<b>Expert (full name) / Специалист (имя) / Meistars / Meistras / Spetsialist (nimi) / Fachspezialist (name) Vakkundige (naam) / Réparateur (nom, prénom)</b>		

Filled in by service center / Заполняется сервисным центром / Aizpilda servisa centrs / Pildo aptarnavimo centras / Täidab teeninduskeskus / Wird von dem Servicebetrieb ausgefüllt / Wordt ingevuld door het servicecentrum / À remplir uniquement par le service client