

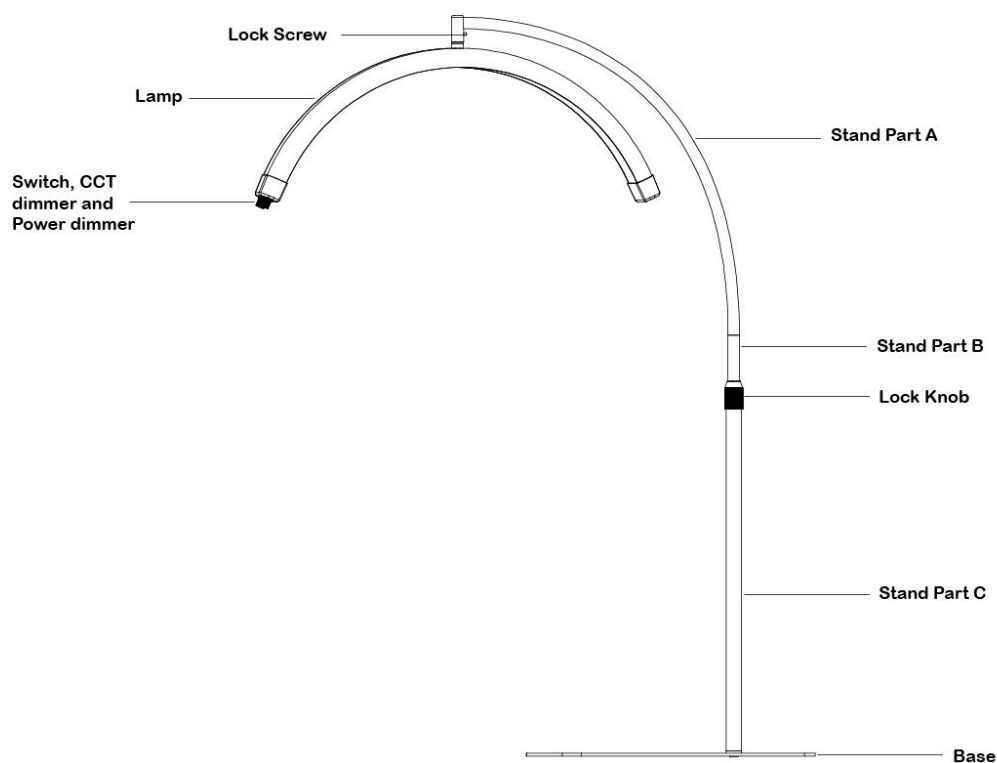
# Instructions for the use of LED Moon Light



## 1. Technical data

<b>Model</b>	SM218
<b>Input power</b>	110V/240V 50Hz/60Hz
<b>Output power</b>	40W
<b>Adjustment range</b>	0%~100%
<b>CCT</b>	2700K~5600K
<b>CRI</b>	RA>95
<b>Lumen</b>	1600LM
<b>Lifespan</b>	50000h
<b>Size</b>	680*262*70 mm
<b>Weight</b>	6.5 Kg

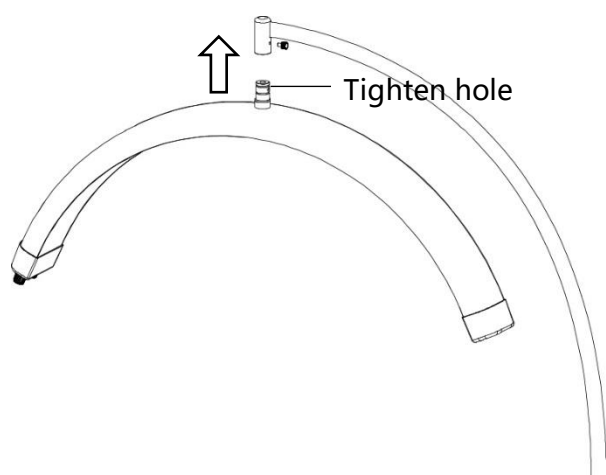
## 2. Detail



## 3. Assembly Instructions

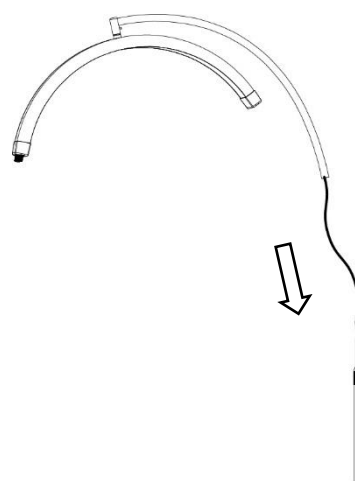
### 3.1 Connect the head

- Connect the head and Stand part A. Make sure the tighten hole on the head faced the hole on the pipe and lock screw. Then tighten the lock screw.



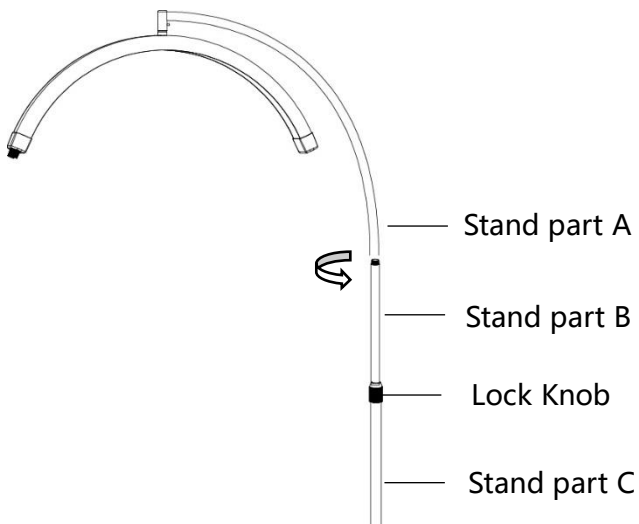
### 3.2 Connect the power cable

- Feed the power cable down the tube and take it out from the base side of the stand.



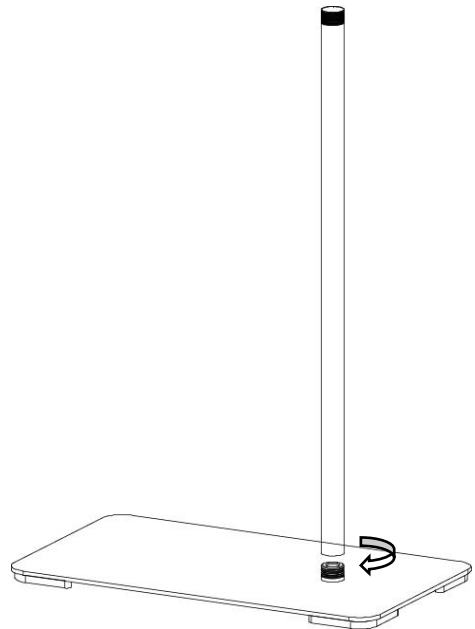
### 3.3 Connect the stand and lamp

- Release the lock knob and take out the flexible stand part B from part C.
- Rotate stand part B to connect it with stand part A, and then tighten the lock knob.



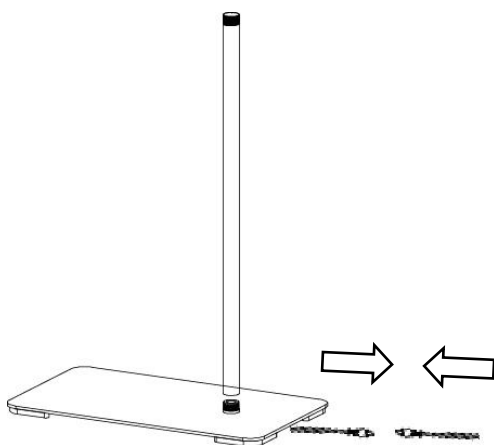
### 3.4 Assemble the base

- Feed the power cable down into the big hole on the base. Tighten the stand part C on the base.



### 3.5 Connect the cable with adapter

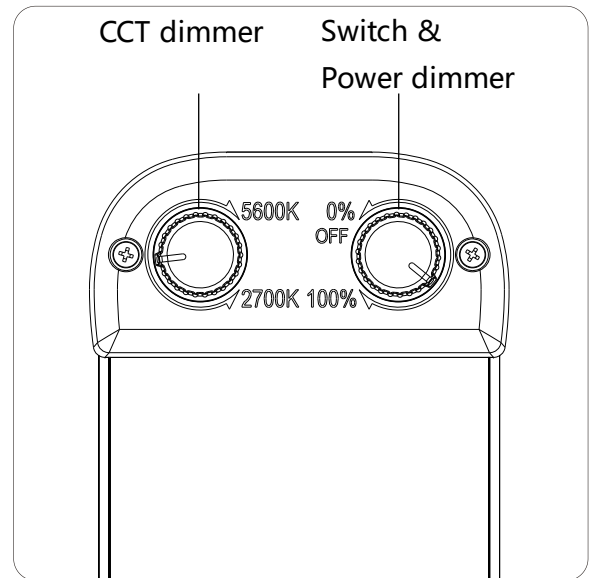
- Connect the cable with the adapter DC port, and plug the power adapter AC side into light power.



## 4. Adjustment instruction

**Power adjustment:** Press the switch knob to turn on the power switch. The power can be adjusted step by step from 1% to 100%, increasing clockwise and decreasing step by step in the counterclockwise direction. Each toggle button changes by 1%.

**CCT Adjustment:** The color temperature can be adjusted from 2700K to 5600K, gradually increasing in the clockwise direction, decreasing in the counterclockwise direction, and changing the toggle button by 100K.

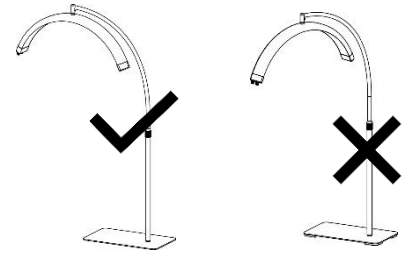


## 5. Packing list

NO	Name	Quantity
1	Moon Light	1pc
2	Adapter	1pc
3	AC charger power line	1pc
4	Manual	1pc
5	Stand	1pc
6	Base	1pc
7	Cellphone holder	1pc
8	Head tighten screws	2pcs

## 6. Notes

- 1) Please set the lamp and base on same direction for safe use.
- 2) Please do not hang any heavy items on the lamp when it works.
- 3) Please do not place the light in a high temperature and humidity.
- 4) Please do not touch the light by hand. Do not immerse the product in water or expose it to rain.



## 7. After sales service

- 1) Do not disassemble or repair this product by yourself.
- 2) Touch the product's internal part could result in injury. In the event of malfunction, please turn off the power, unplug the power cord and contact the supplier in time.
- 3) The warranty for the light with the invoice from the date of sale is one year.

\*The technical are subject to change, the final interpretation of the right to belong to the company