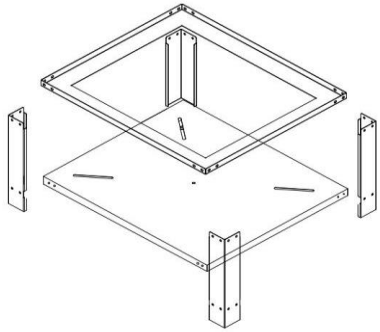


Washing machine stand instruction

Code

Parts

Quantity



A



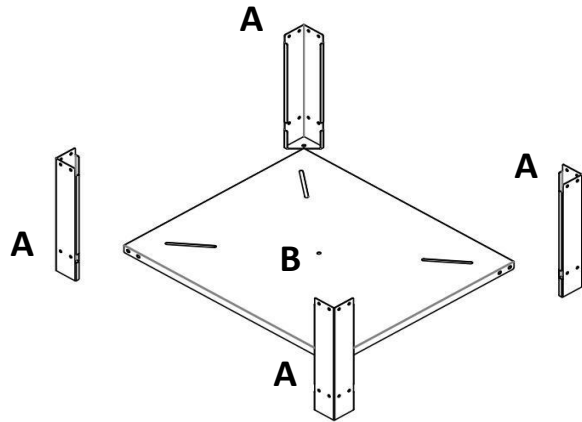
4

B

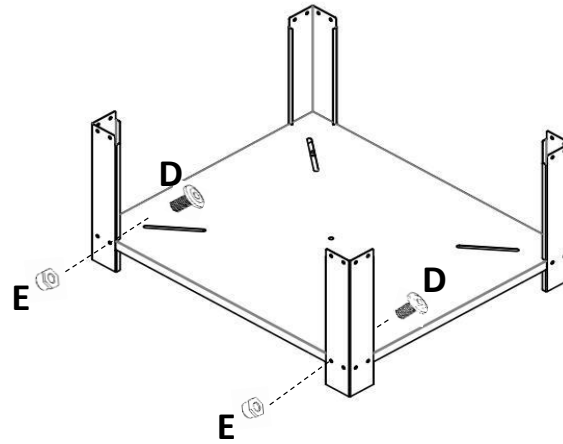


1

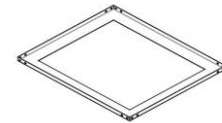
1



2



C



1

D



32

E



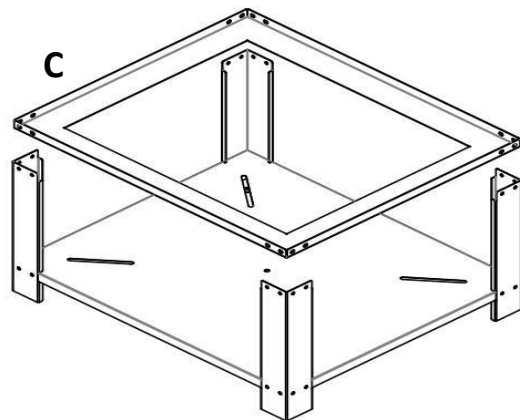
32

H

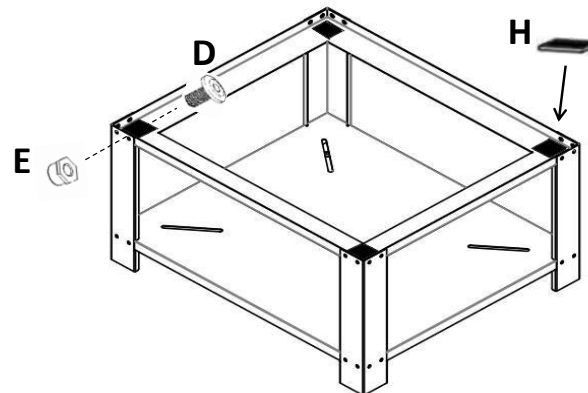


4

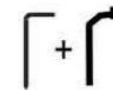
3



4



I



2